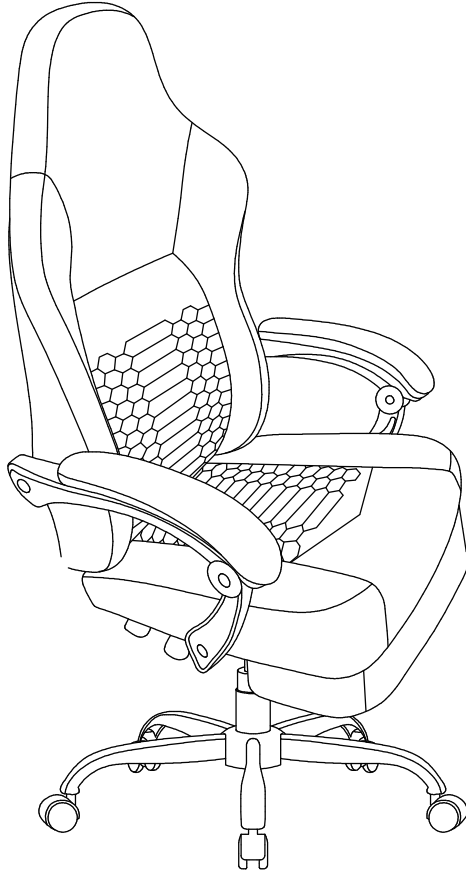



Gaming Chair

SKU:LEM-GMCR



Missing parts, damages, and any problems in the installation process, please contact us by text or email. Please choose SMS or email as your first choice for communicating with us.

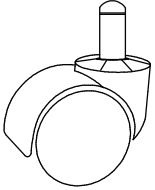
 +1 (503) 928-7812



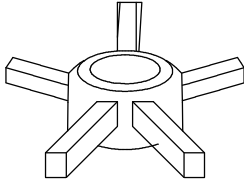
hellovitesse@gmail.com

Parts list

(1) Ax5



(2) Bx1



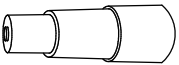
(3) Cx5



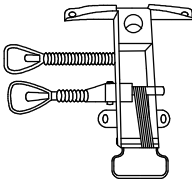
(4) Dx1



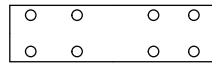
(5) Ex1



(6) Fx1



(7) Ux1



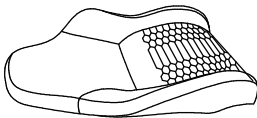
(8) Gx1



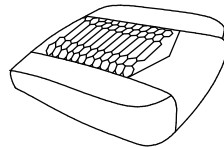
(9) Hx2



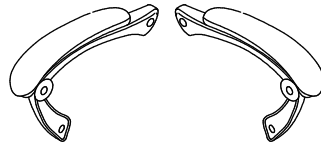
(10) Ix1



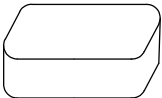
(11) Jx1



(12) Kx2



(13) Lx1

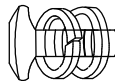


(14) Mx2



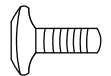
M5×10

(15) Nx10



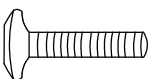
M6×20

(16) Ox6



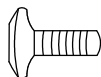
M6×25

(13) Px4



M8×35

(14) Qx12



M8×25

(15) Rx4

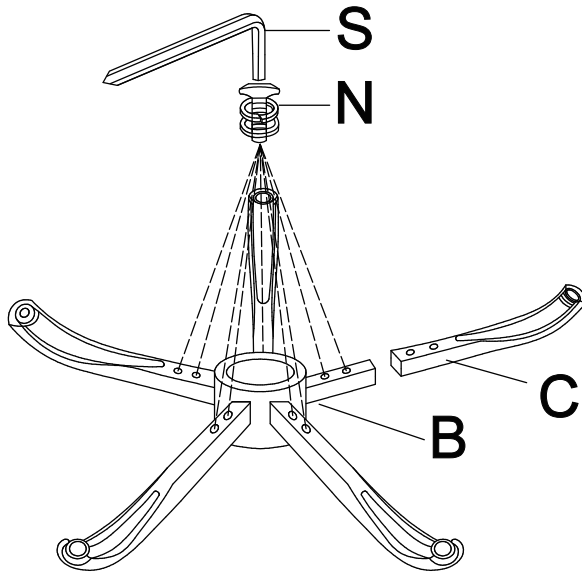


(16) Sx1

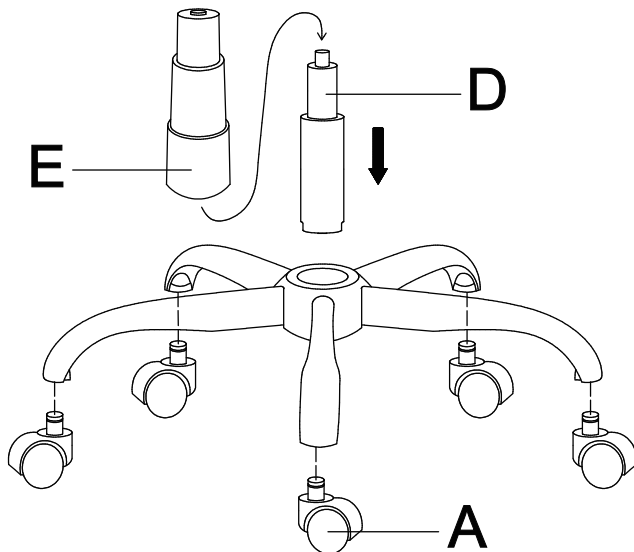


Installation steps

①

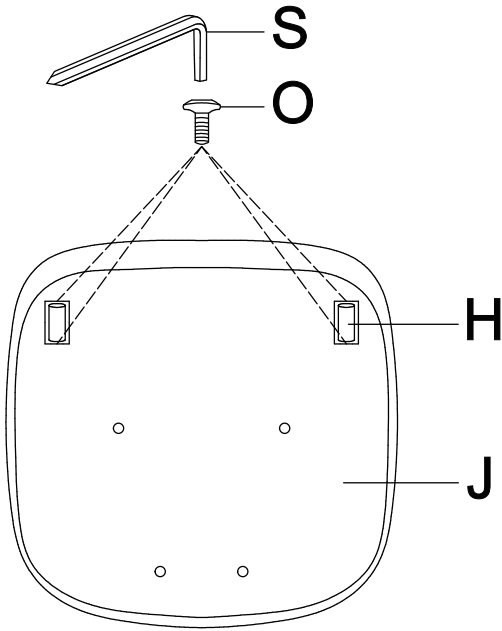


②

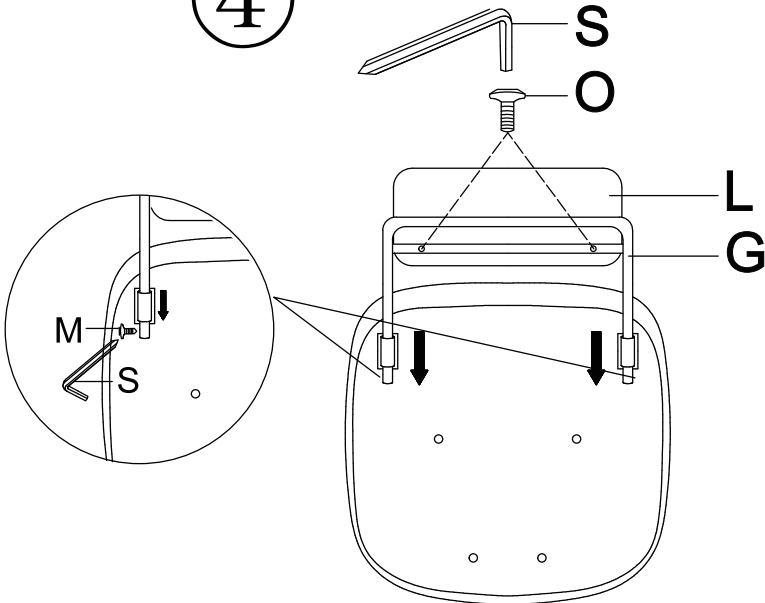


Installation steps

③

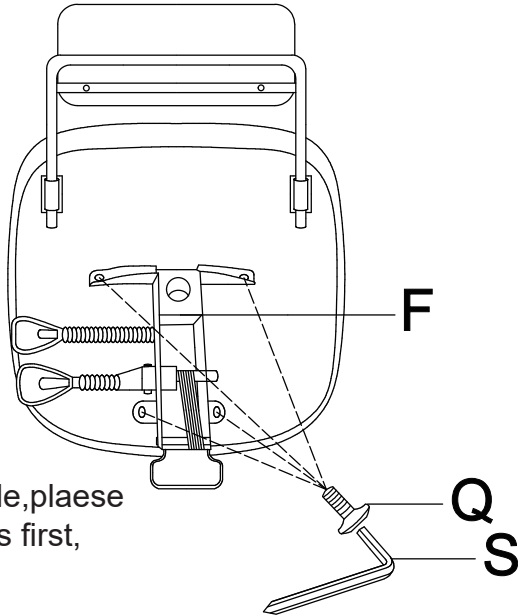


④



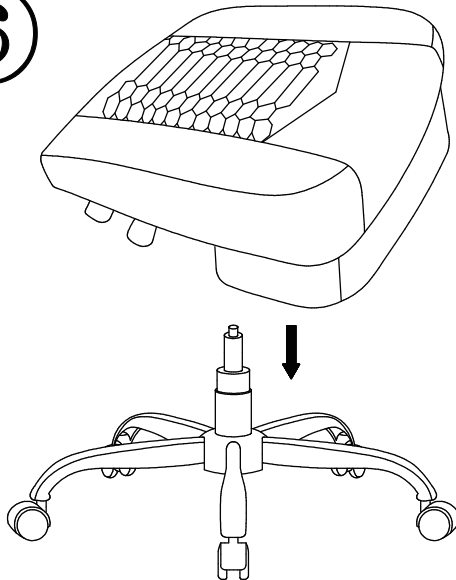
Installation steps

5



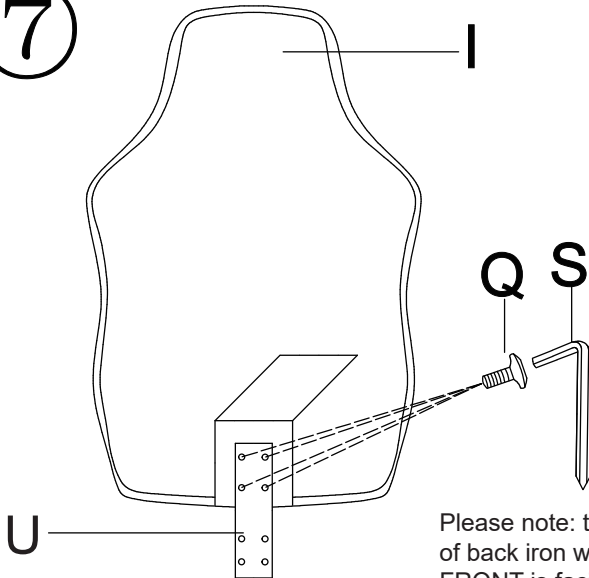
For easier assemble, please put in all the screws first, but not tight all.

6



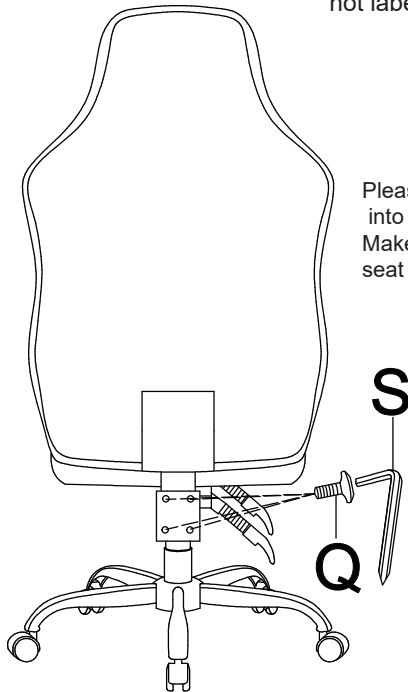
Installation steps

7



Please note: the side of back iron which labeled FRONT is facing outward. not labeled is facing inward

8

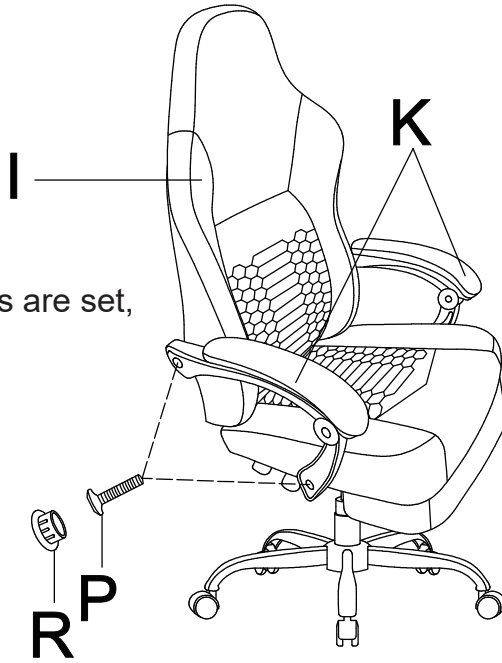


Please half-tighten all the screws into the holes in advance. Make sure the back is vertical to seat before you fully tighten the screws.

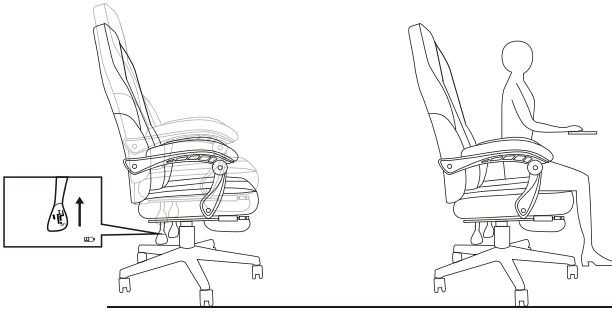
Installation steps

9

After all the screws are set,
fully tighten them



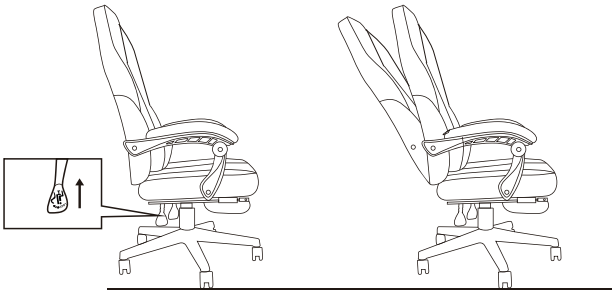
Function



Lifting function

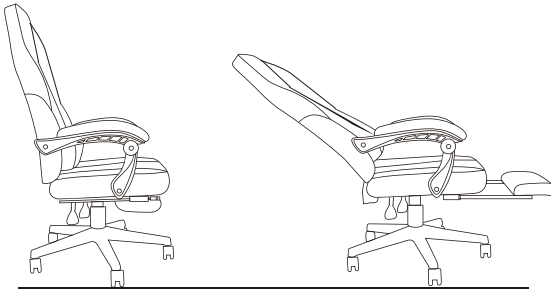
Lift up: move your body from the chair and then lift the height control handle.

Lift down: Seat down on the chair and push the height control handle.

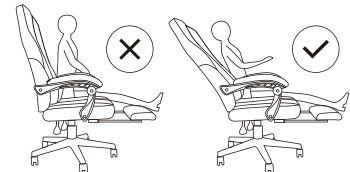


Tilt function

Use the other control handle, you can lock the angle or adjust it to what angle you want.



WARNING!



Do not unfold footrest and make chair back vertical simultaneously, the chair will tilt due to the shift in center of gravity. Please lie down the back when using the footrest.

1.

Q: The chair doesn't stay at the height I want, and sunk when I sit on it. What should I do?

A: This problem can be solved by replacing the gas lift. Please find our YouTube channel([vitesse gaming](#)), we uploaded the video of gas lift moving process (named:remove the gas lift). If you can't solve the problem even with the help of the video, please contact us and we will send you a new replacement part.

2.

Q: I received a screw that couldn't match with the hole or I received an incomplete screw, what should I do?

A: If the screw didn't match or couldn't tight with hole, please check whether the screw has thread or the hole has thread. If not, please contact us, we will send you replacements.



+1 (503) 928-7812

hellovitesse@gmail.com



Instagram: [vitesse gaming](#)



YouTube : [vitesse gaming](#)

Please feel free to **send us the text or email**. We will reply to you within 24 hours. Also please feel free to contact us if you have received the defective items. Please give priority to using email to communicate with us.

Follow our YouTube Channel then you will be able to find our **assembling video** as a pinned video.