

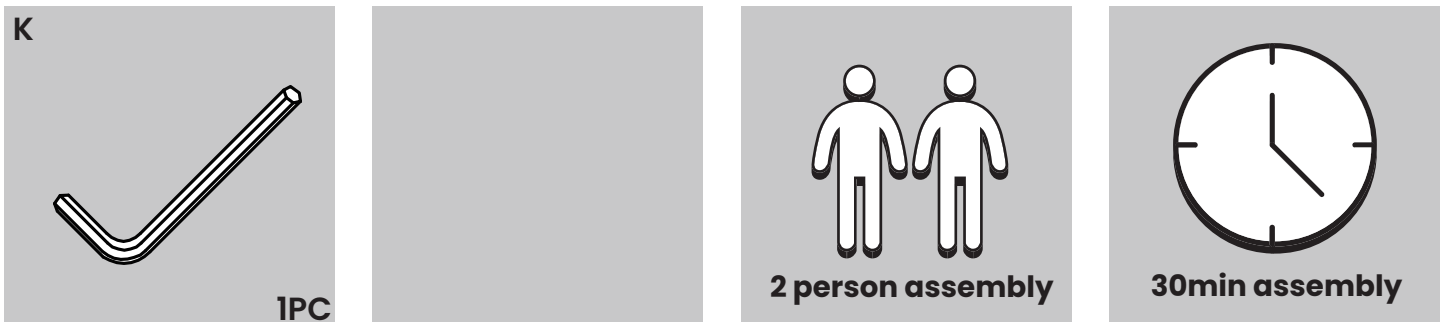
INSTRUCTION MANUAL

PATIO UMBRELLA

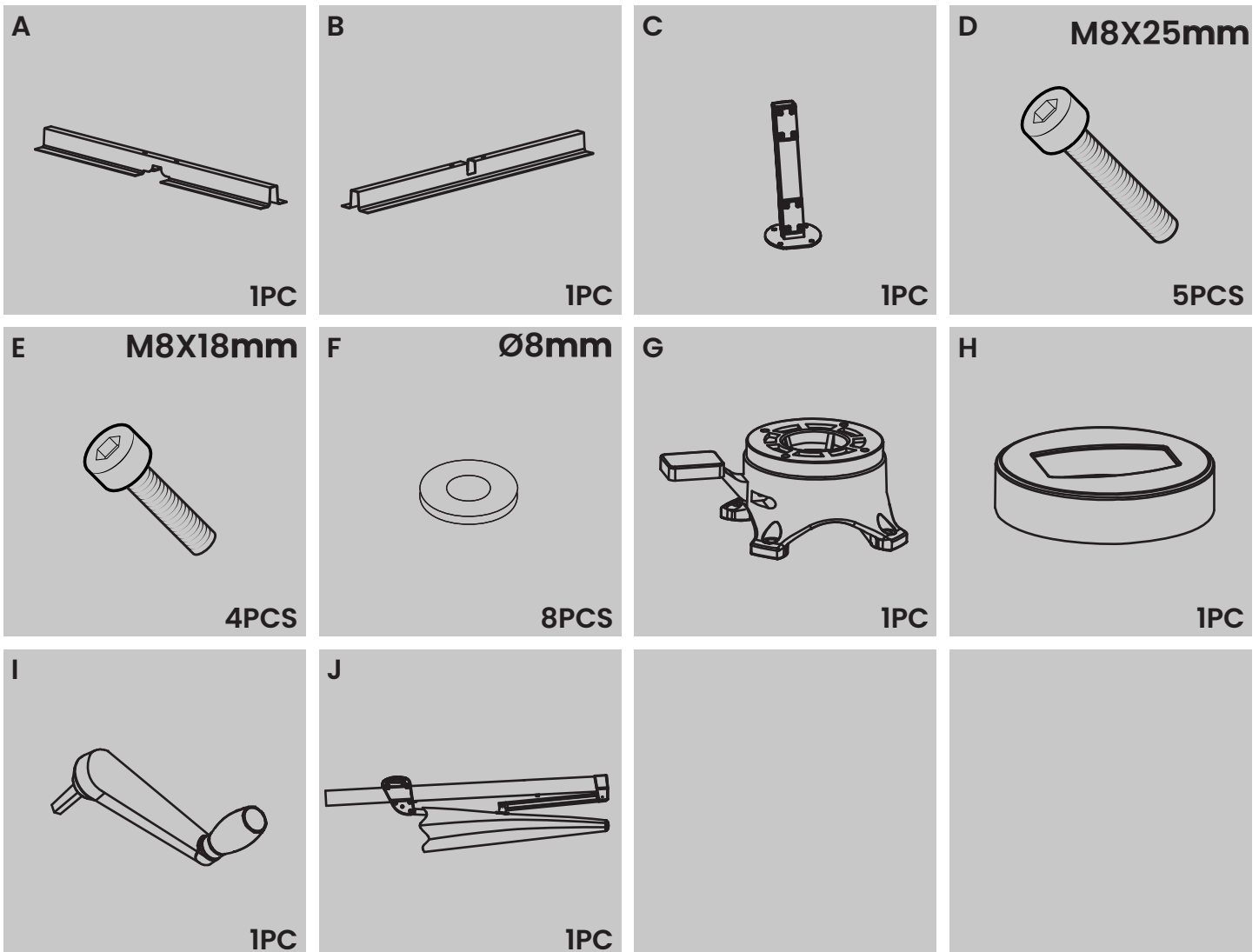
BEFORE INSTALLATION

- Please list all parts as below first to check if any part is missing and make assembly easier.
- Do be careful that some parts are heavy and sharp.
- Please follow the assembly steps to install the product, if you find spare parts left, don't be worried, the left spare parts are prepared for bad ones if occurred.
- Once you hand tighten all of your bolts into place, we are going to use our wrench to fully tighten into place.
- Please do not exceed the bearing limitations of the product.
- Reconfirm that all bolts, screws, and knobs are secure every 90 days.
Please retain these instructions for future reference.

TOOLS REQUIRED



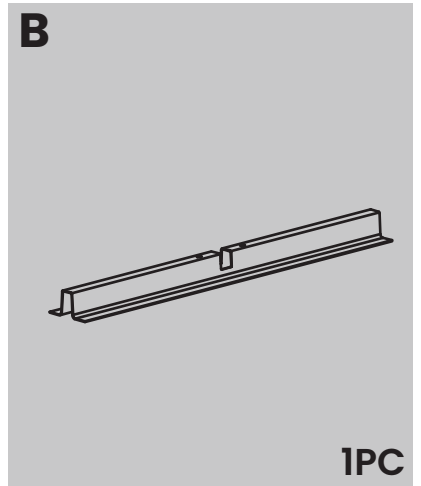
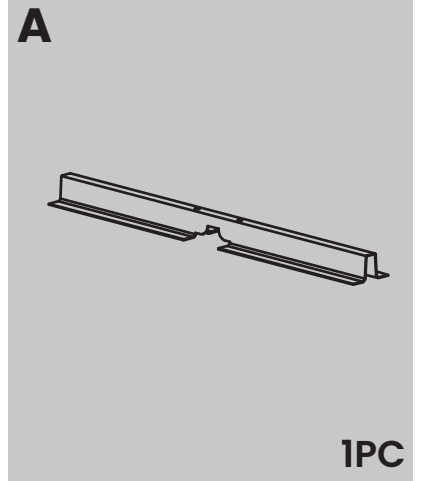
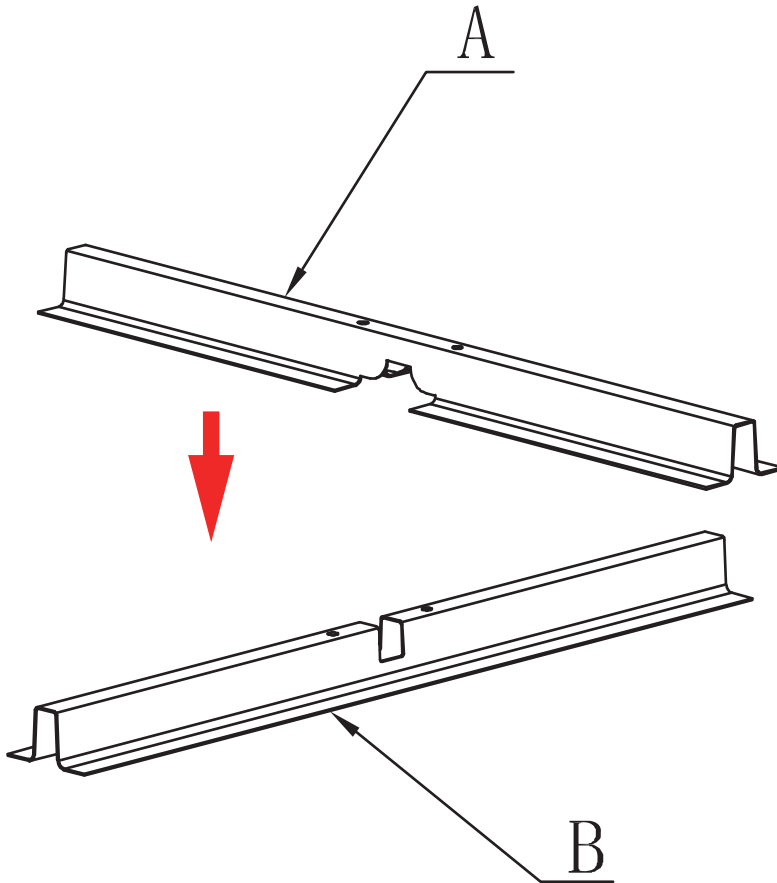
PARTS



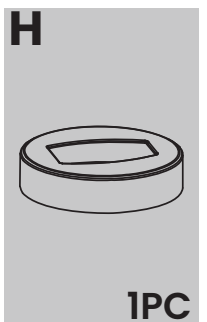
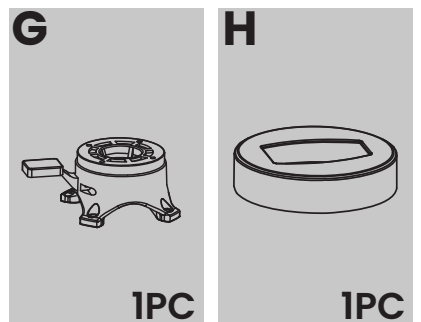
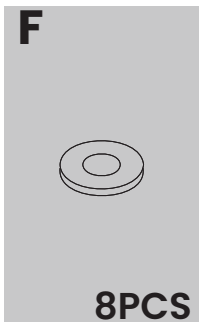
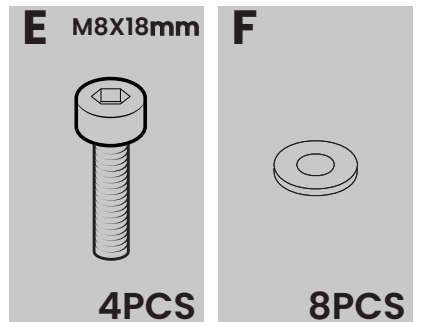
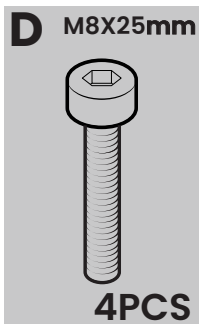
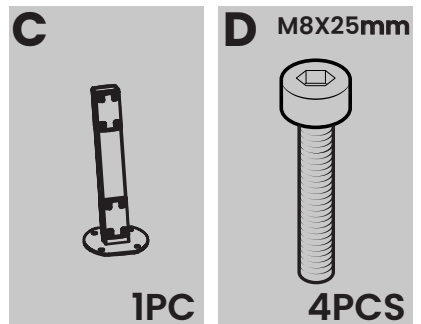
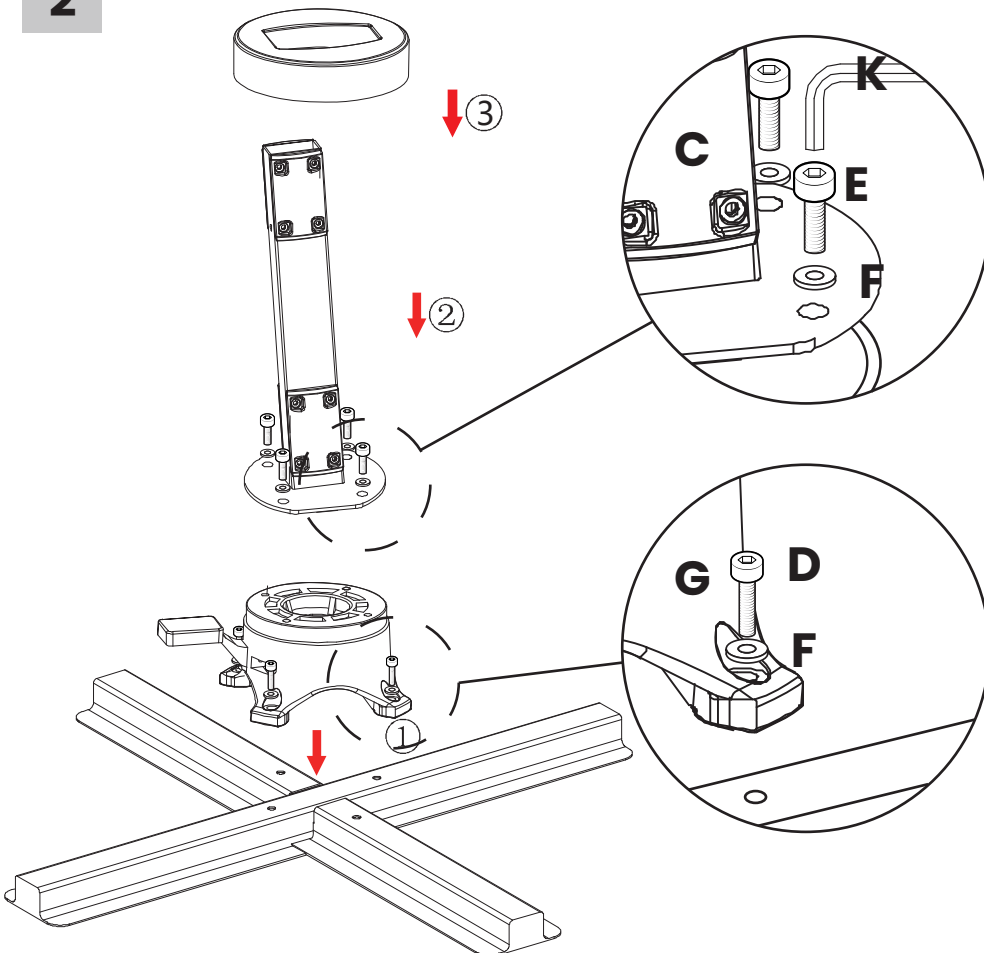
ASSEMBLY

PARTS REQUIRED

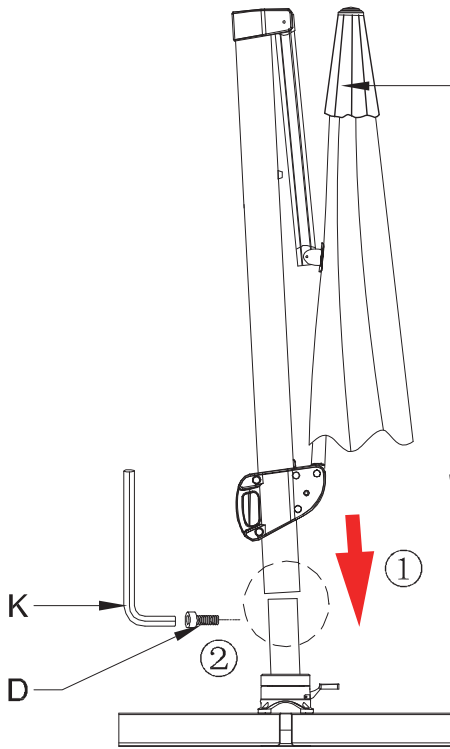
1



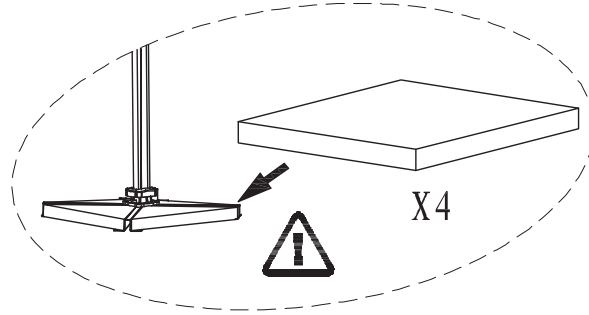
2



3




 Base is not included,
 please prepare it by yourself.



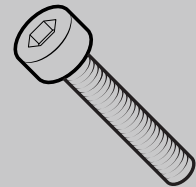
J



1PC

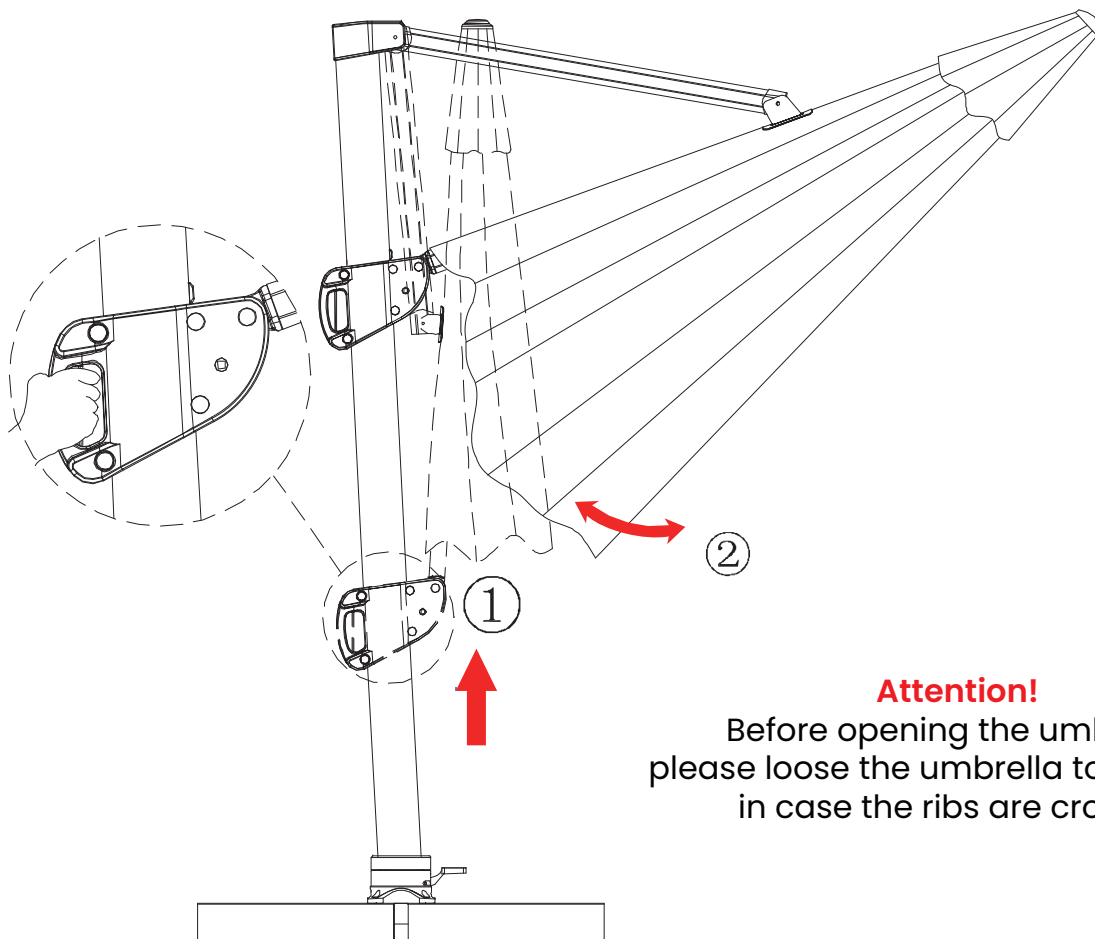
D

M8X25mm



1PC

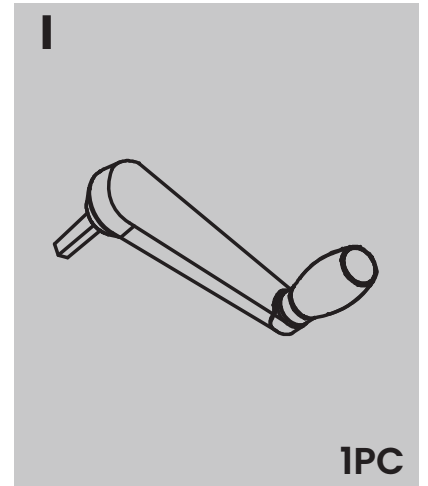
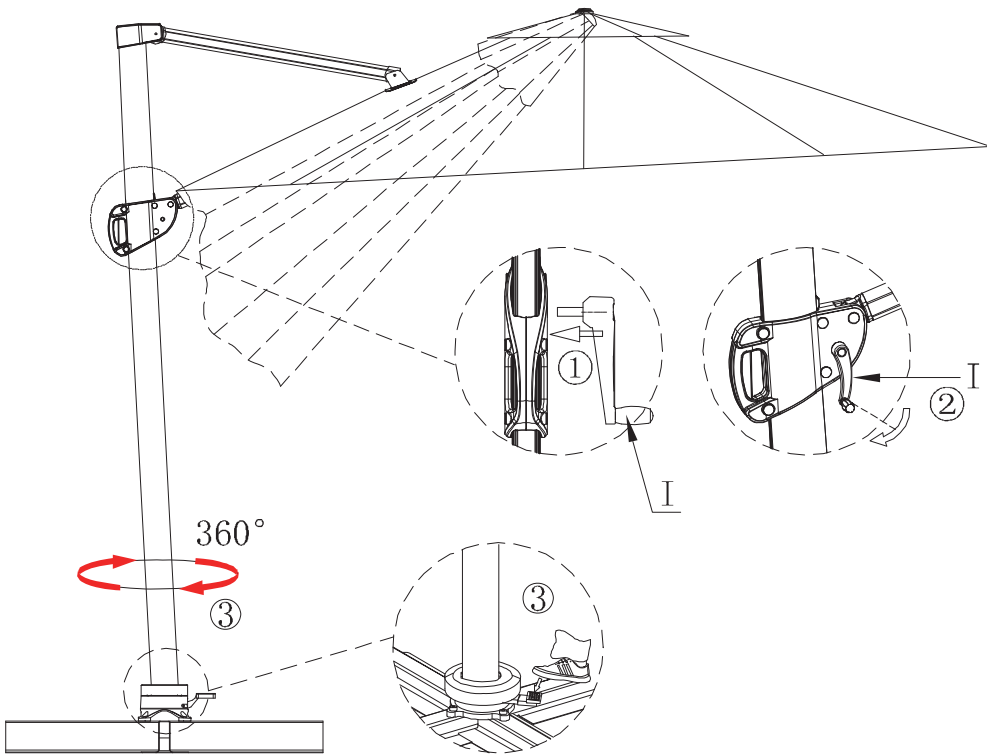
4



Attention!
 Before opening the umbrella,
 please loose the umbrella top by hand
 in case the ribs are crossed

OPERATION

5



6

