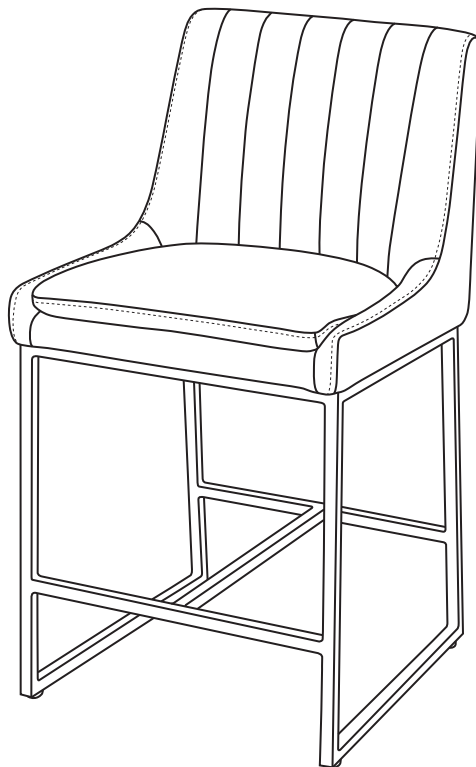


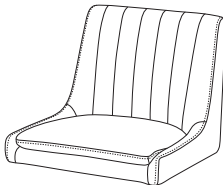
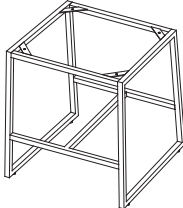

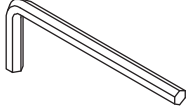
Assembly Manual

Counter / Bar Height Stool



CAUTION

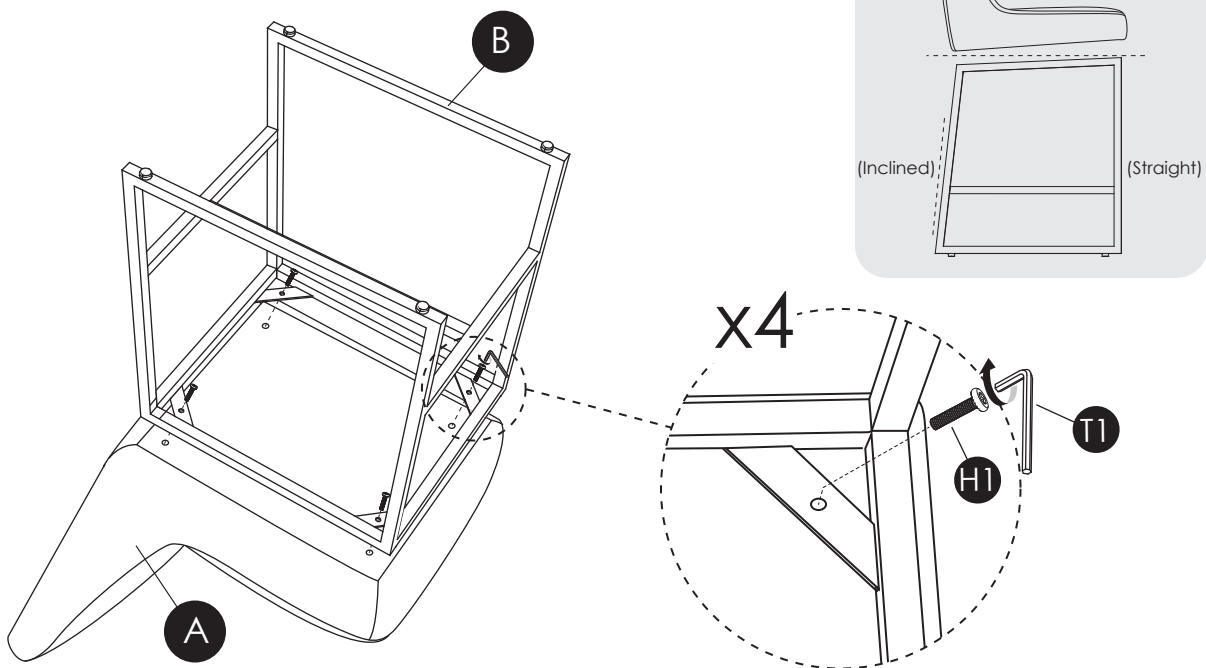
THIS ASSEMBLY MANUAL CONTAINS IMPORTANT SAFETY INFORMATION.
PLEASE READ AND KEEP FOR FUTURE REFERENCE.

<p>Ax1</p> 	<p>Bx1</p> 	<p>H1x4</p> 	<p>T1x1</p> 
---	---	---	--

Wayfair

ASSEMBLY INSTRUCTIONS

- 1 Flip over the stool seat bucket.
- 2 Place the metal base on the stool seat bucket bottom and insert Bolts (H1) into each corner and fully tighten.



- 3 Assembly complete. Enjoy.

Note: Adjust the balance of the stool with foot levelers if needed.

