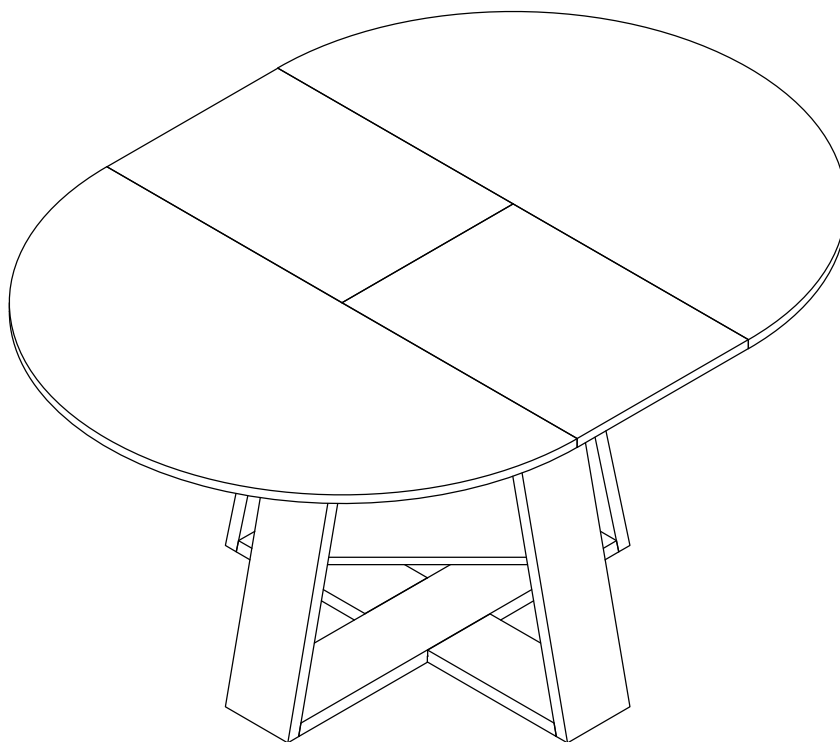


DINING TABLE

ASSEMBLY INSTRUCTIONS

MODEL NO.: RYS233

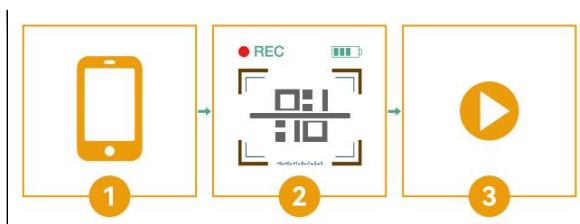


INSTALLATION VIDEO

Please scan QR code with iOS or Android phone camera, click the link to play the installation video.

If QR code is damaged, please contact us to get installation video.

If no access for cell phone scanner, please try other APP.

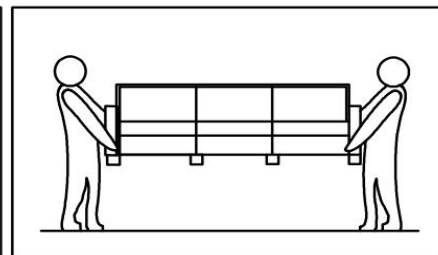
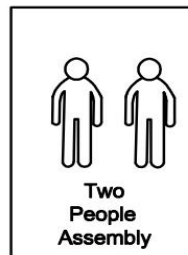
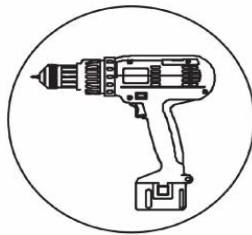


CAUTION:

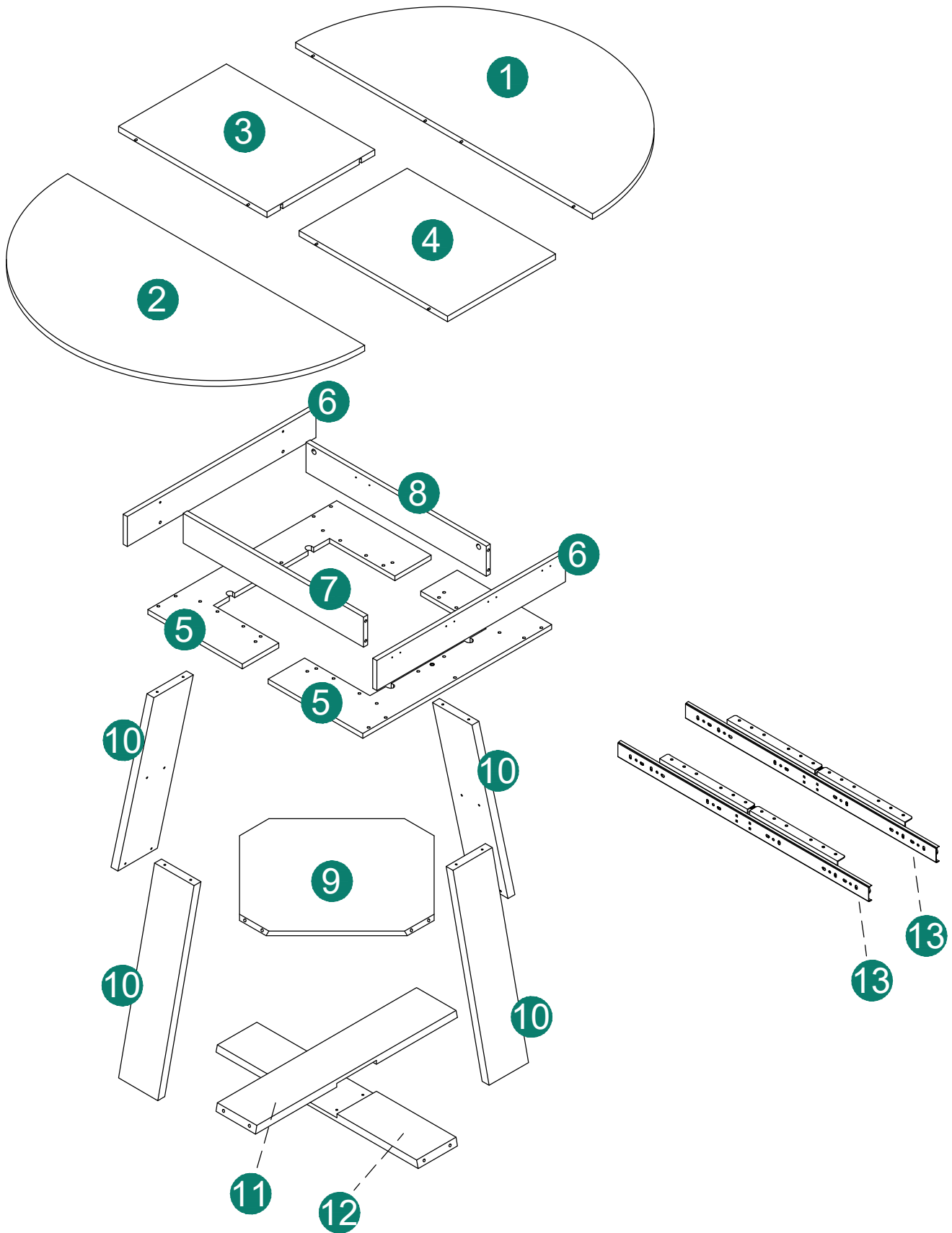
- Please read the instruction completely before assembly.
- Please do not throw away any of the packaging or the instruction until you have all the components and when the furniture is fully assembled.
- Considering the size and weight of the sofa/table/chair, we recommend two adults to assemble the sofa/table/chair, on a carpeted or padded area.
- Keep all components and packaging out of reach of children or animals to avoid risk of choking or suffocation.
- Please keep children away from plastic bag or any small pieces of stuff.
- Cushions should be regularly maintained for perfect use.
- 2 people to install is recommend.
- 2 people to lift the sofa if you want to move it, do not push or pull directly
- Electric Drill tool is not included.

Electric drill will improve your assembling efficiency.

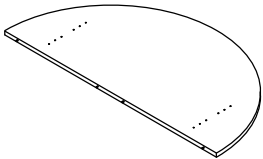
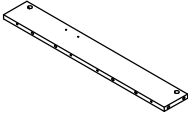
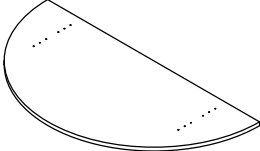

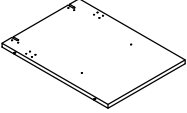
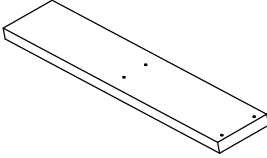
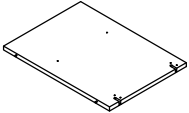
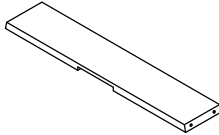
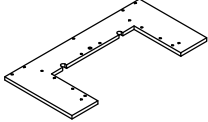
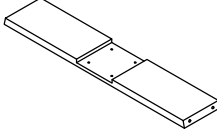
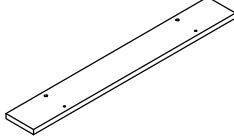
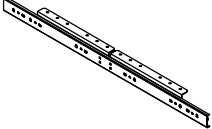
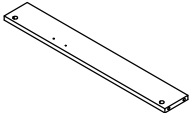
You can use it if you have this tool, DO NOT overtight to prevent from damaging screws and slats/boards.




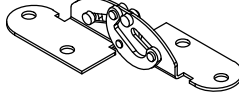
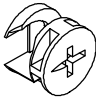
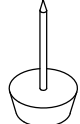

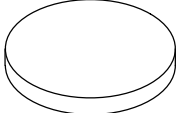

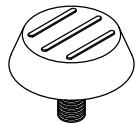
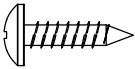
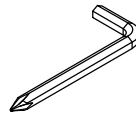


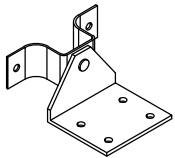
Components:





PART LIST

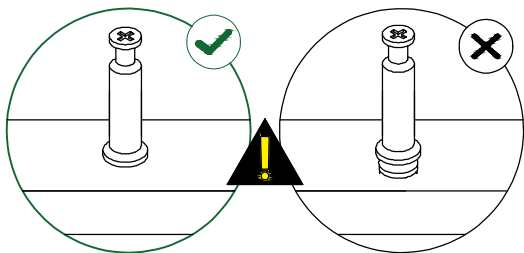
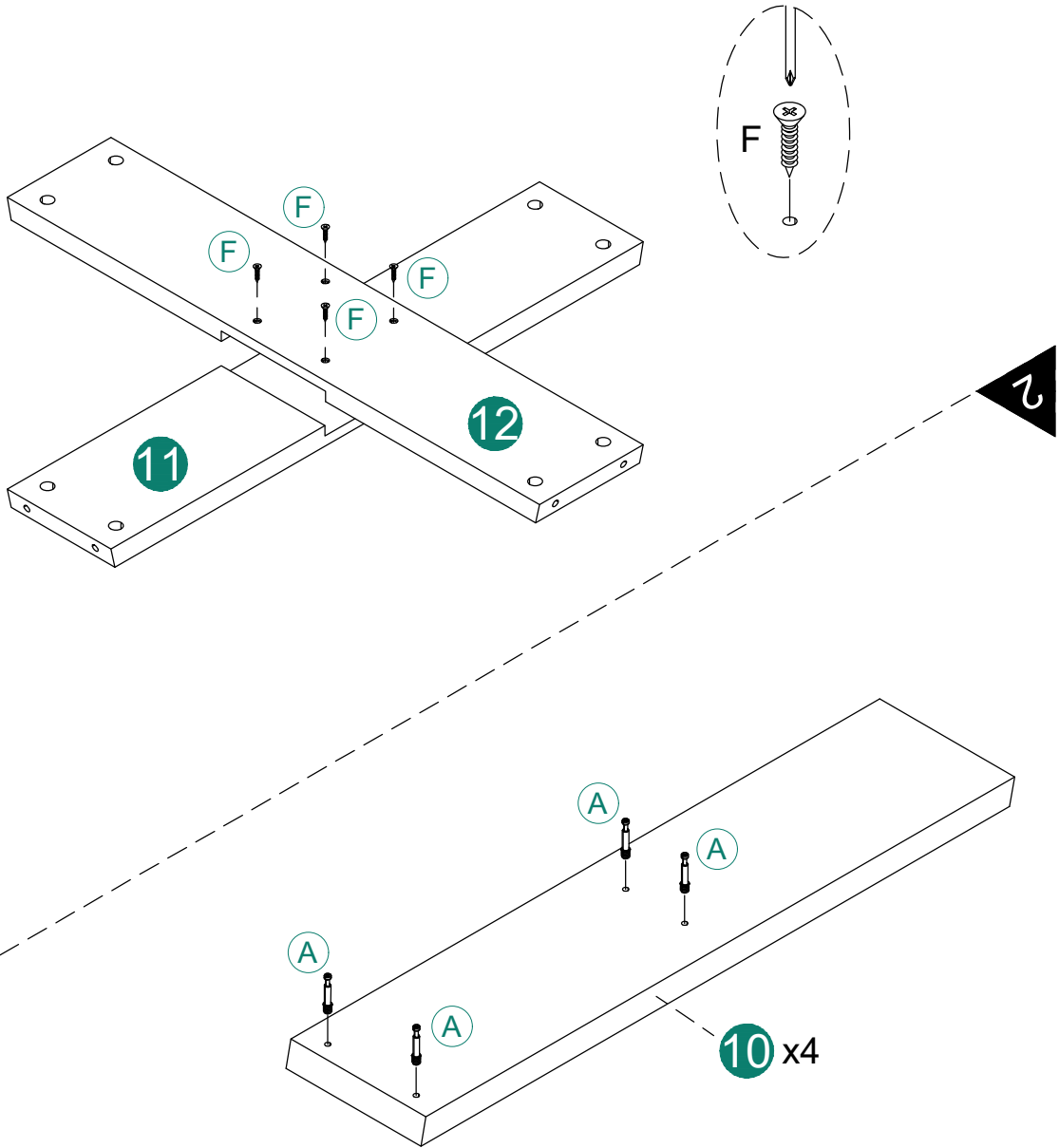
Item no.	Reference Image	Qty.	Item no.	Reference Image	Qty.
1		x1	8		x1
2		x1	9		x1
3		x1	10		x4
4		x1	11		x1
5		x2	12		x1
6		x2	13		x2
7		x1			

HARDWARE

Item no.	Reference Image	Qty.	Item no.	Reference Image	Qty.
A	 Ø6x35mm	x20	H		x2
B	 Ø15x12mm	x20	I		x8
C	 Ø8x30mm	x16	J		x4
D	 Ø7x48mm	x22	K		x1
E	 Ø4x14mm	x60	L	 M4	x1
F	 Ø4x20mm	x4	M		x1
G		x2			

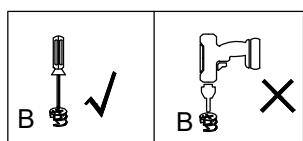
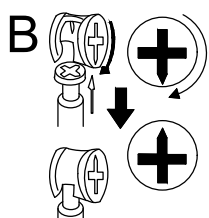
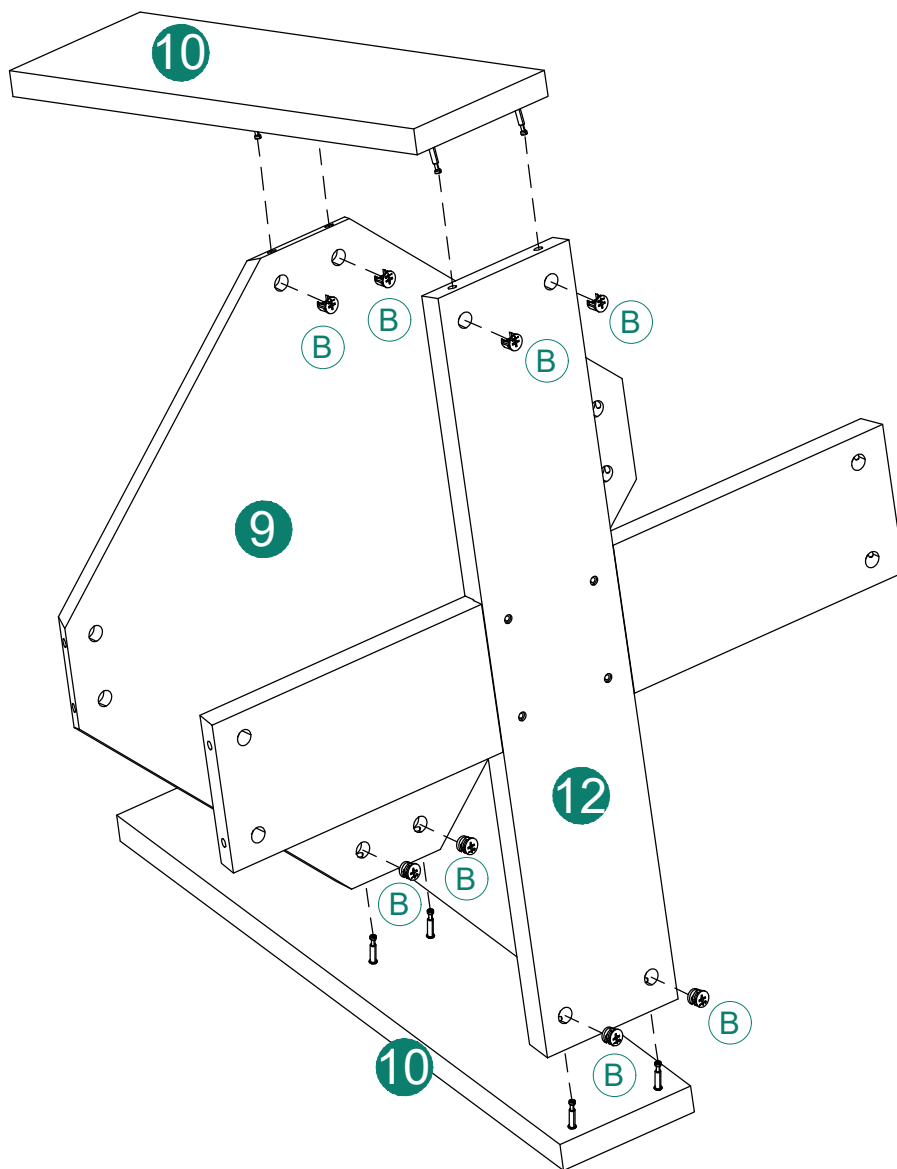
Step 1

A	x16	F	x4
			
		Ø4x20mm	



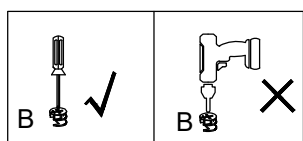
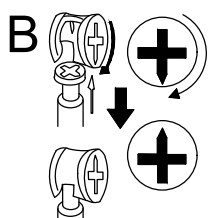
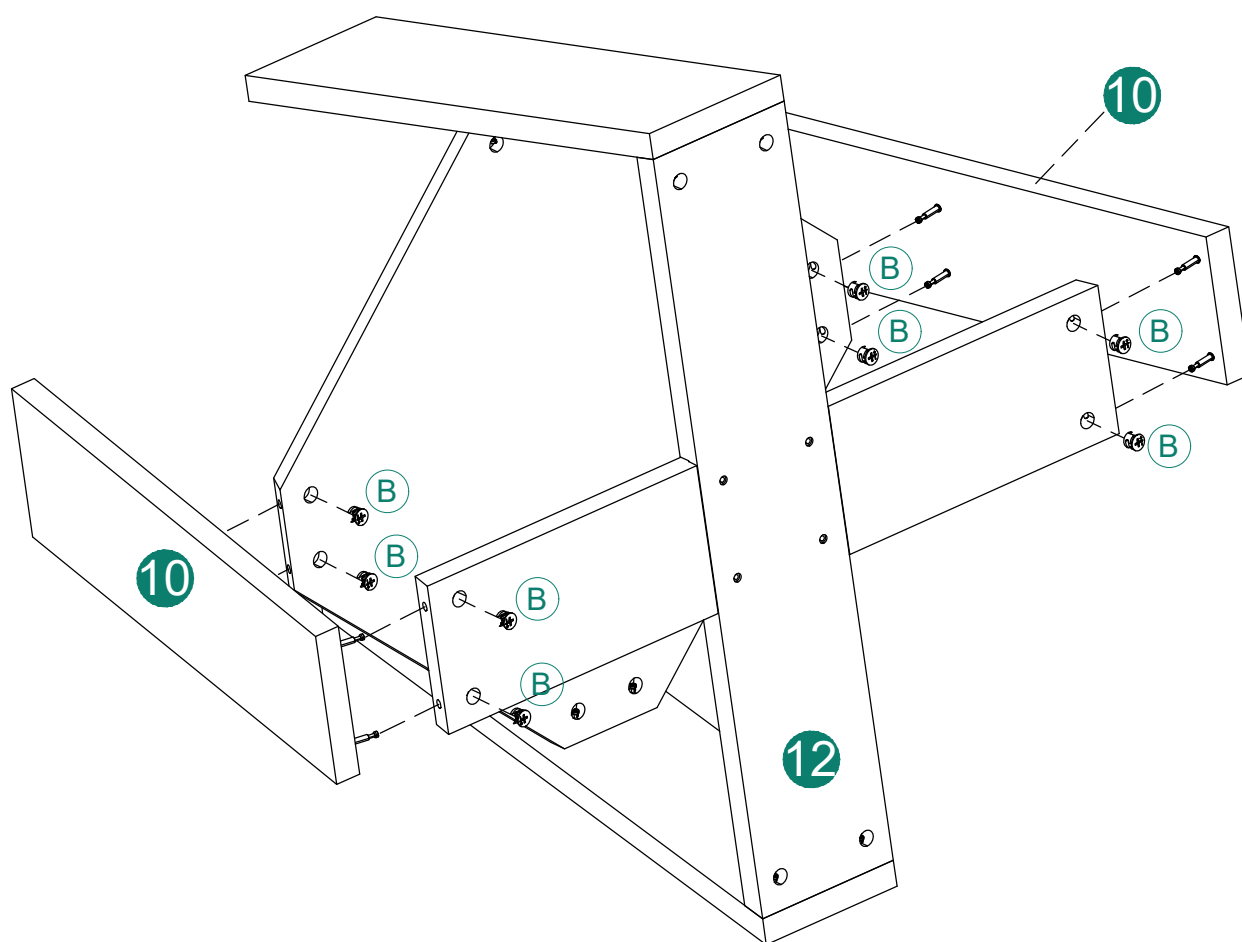
Step 2

B x8

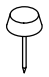


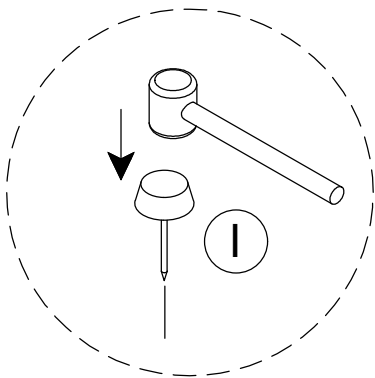
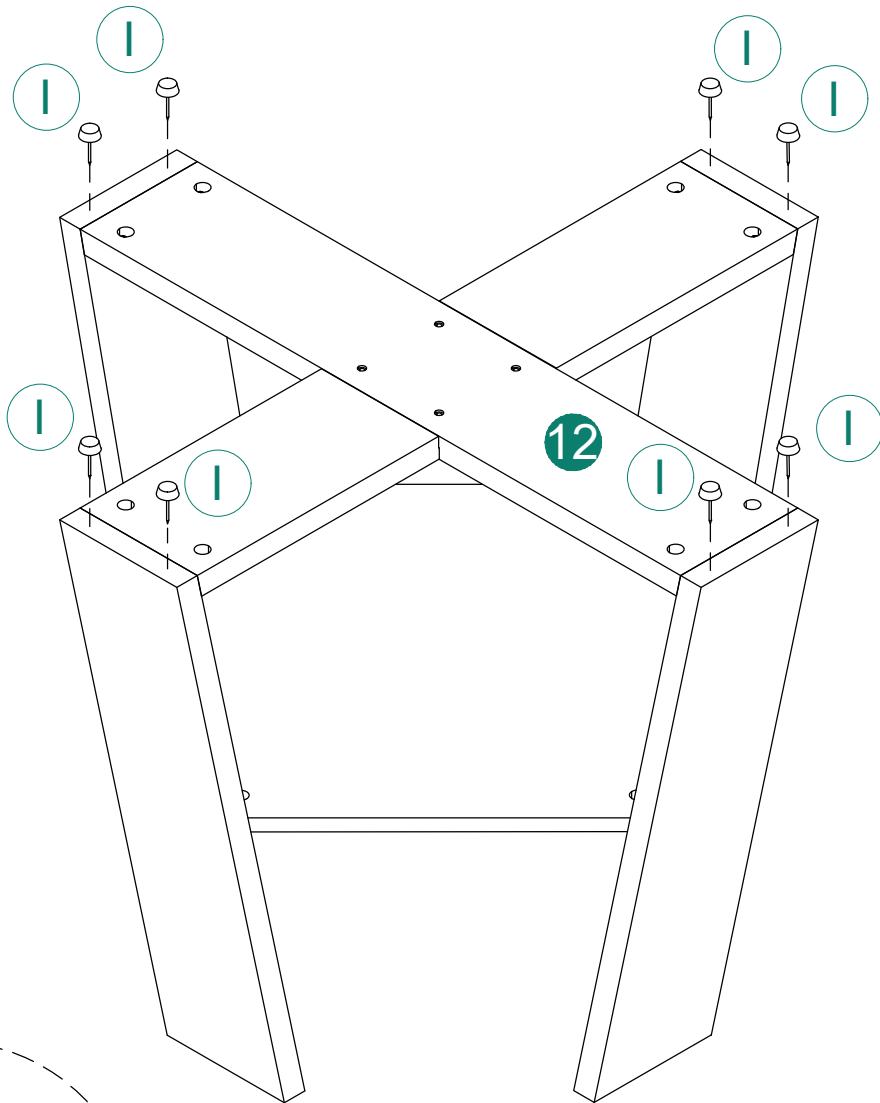
Step 3

B x8

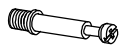




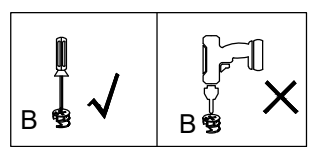
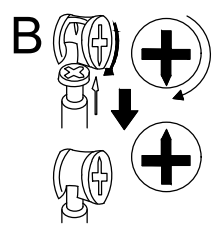
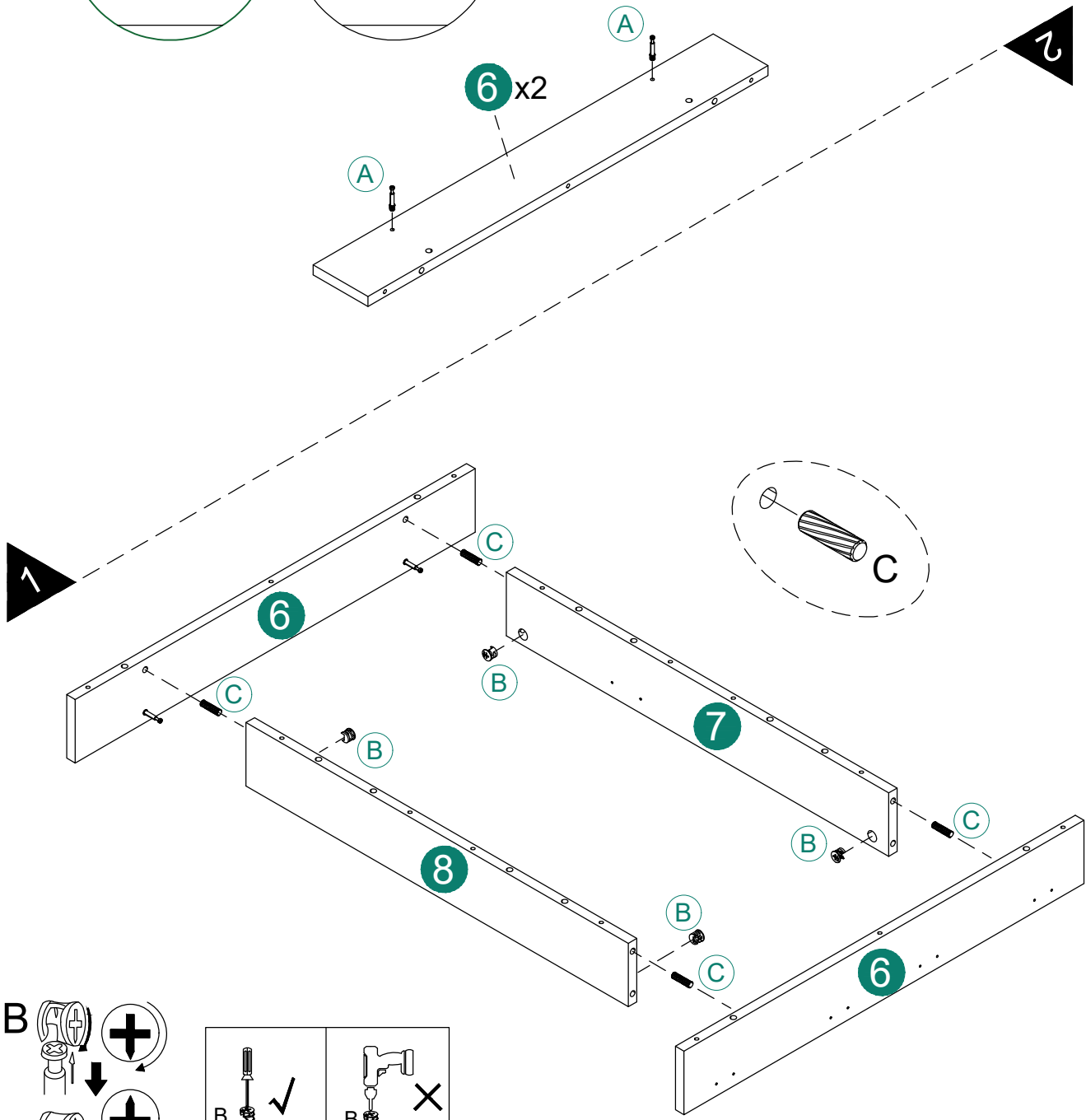
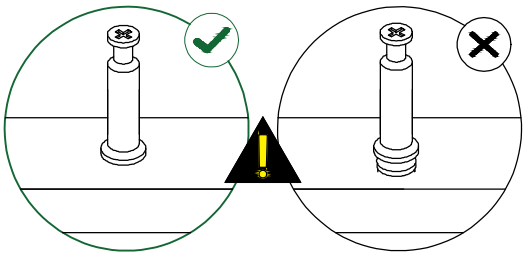
Step 4

I	x8
	





Step 5

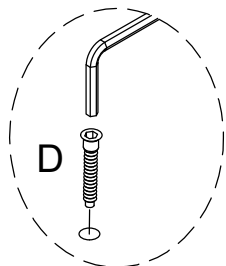
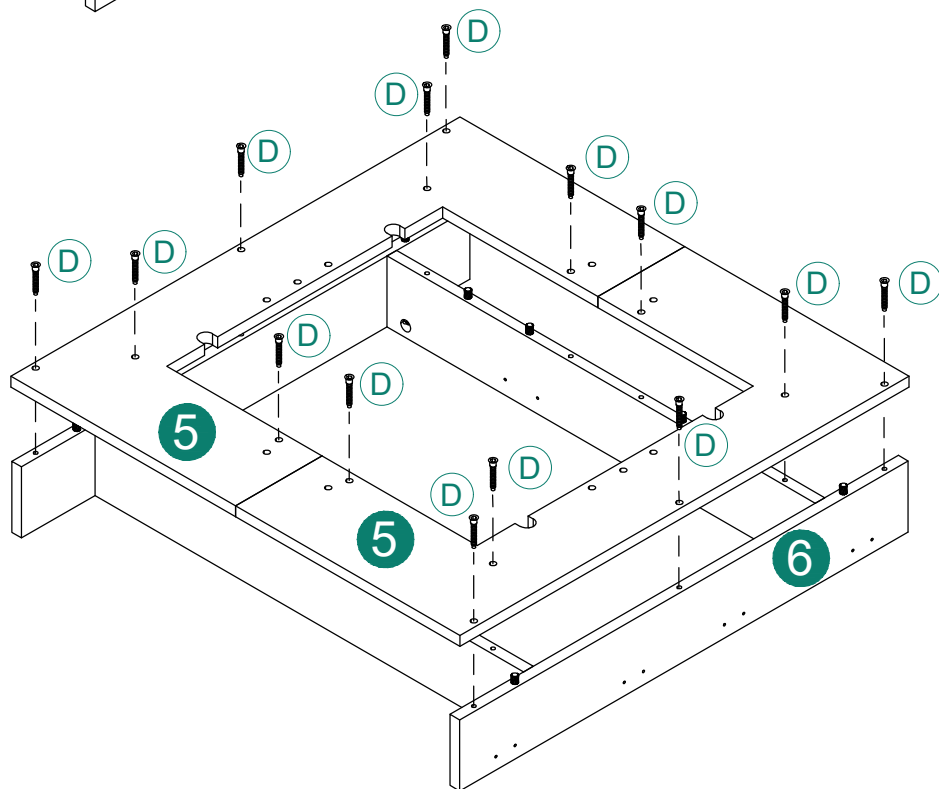
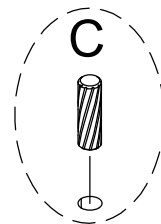
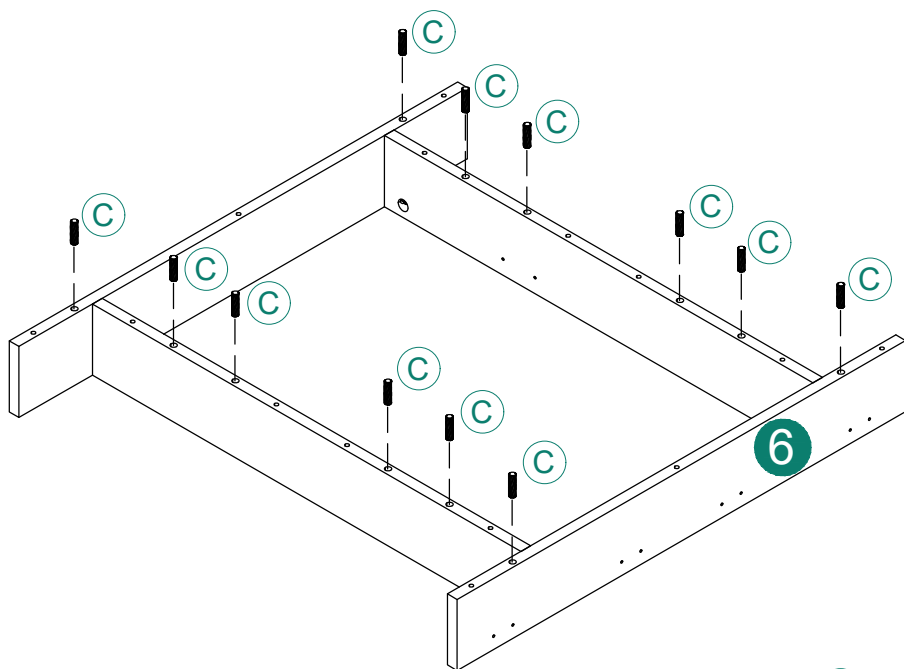
A	x4	B	x4	C	x4
					



Step 6

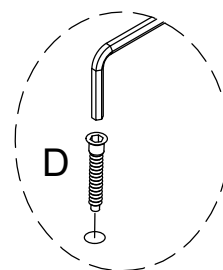
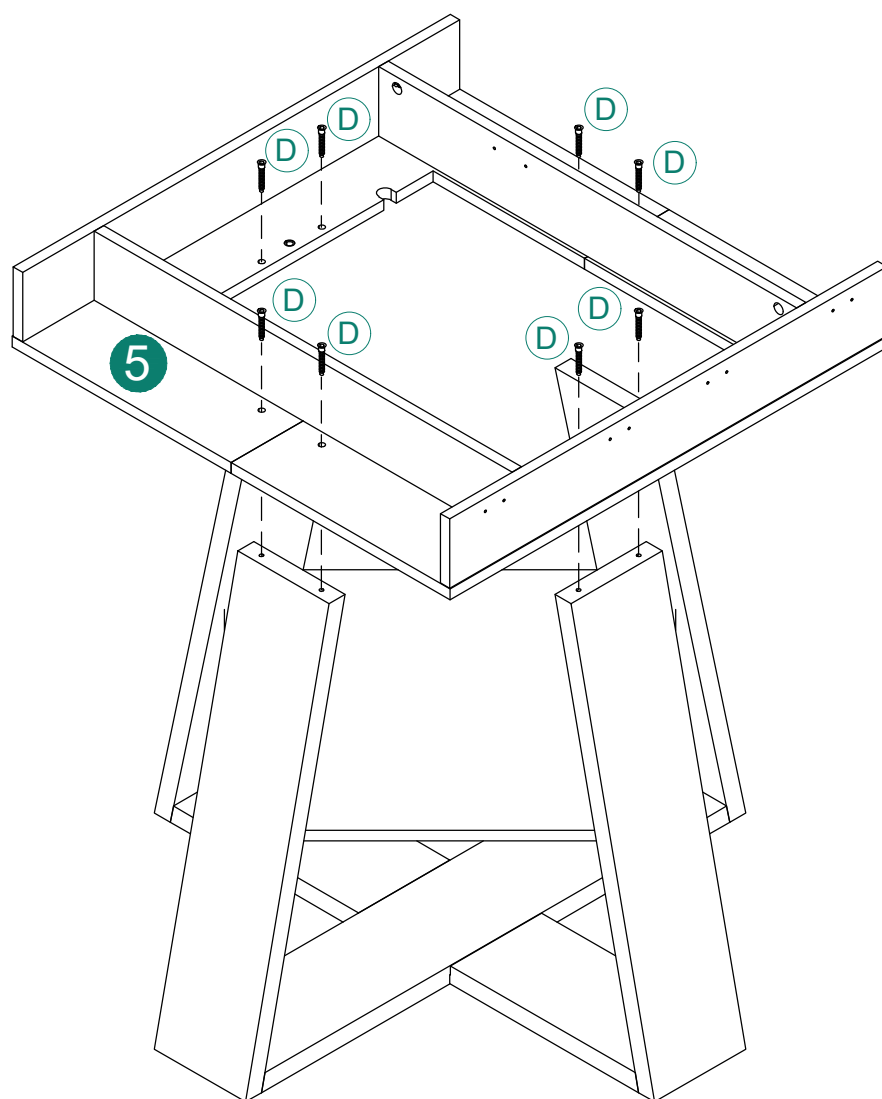
C	x12
	

D	x14
	



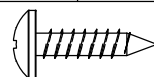
Step 7

D x8

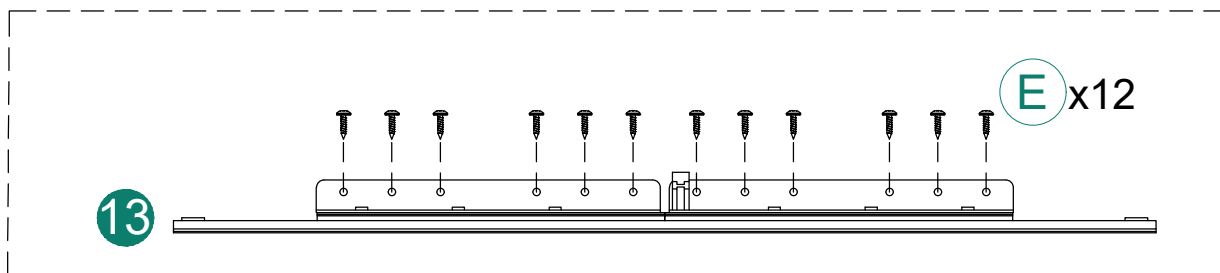
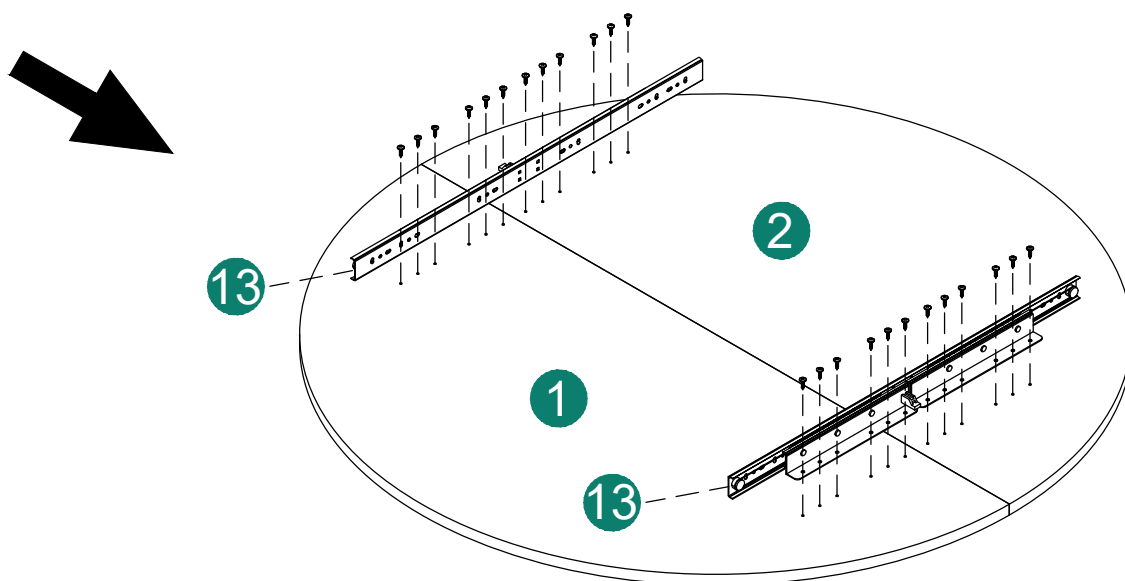
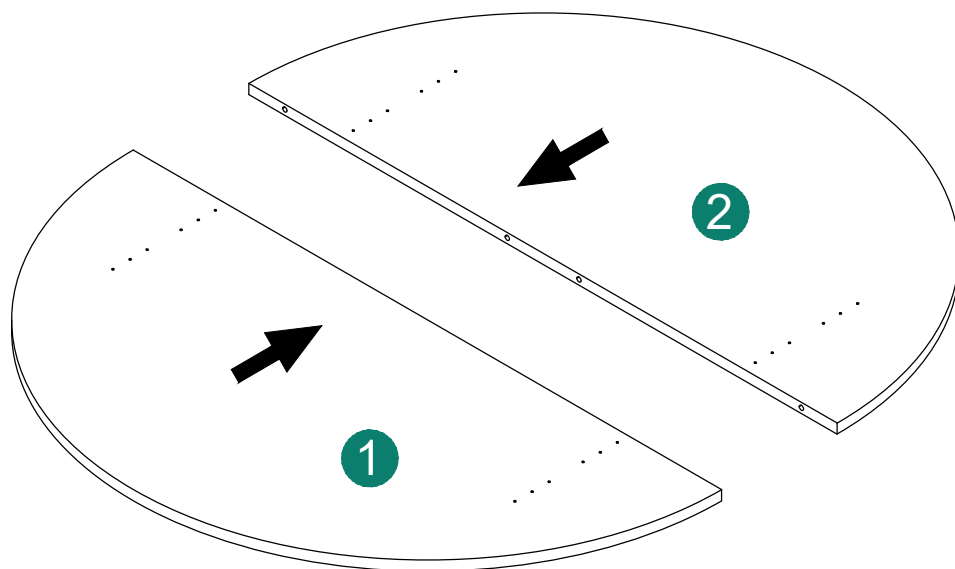


Step 8

E x24

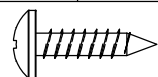


Ø4x14mm

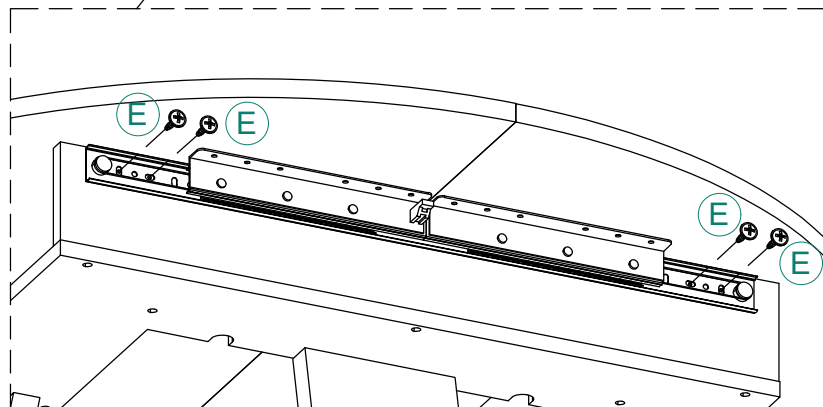
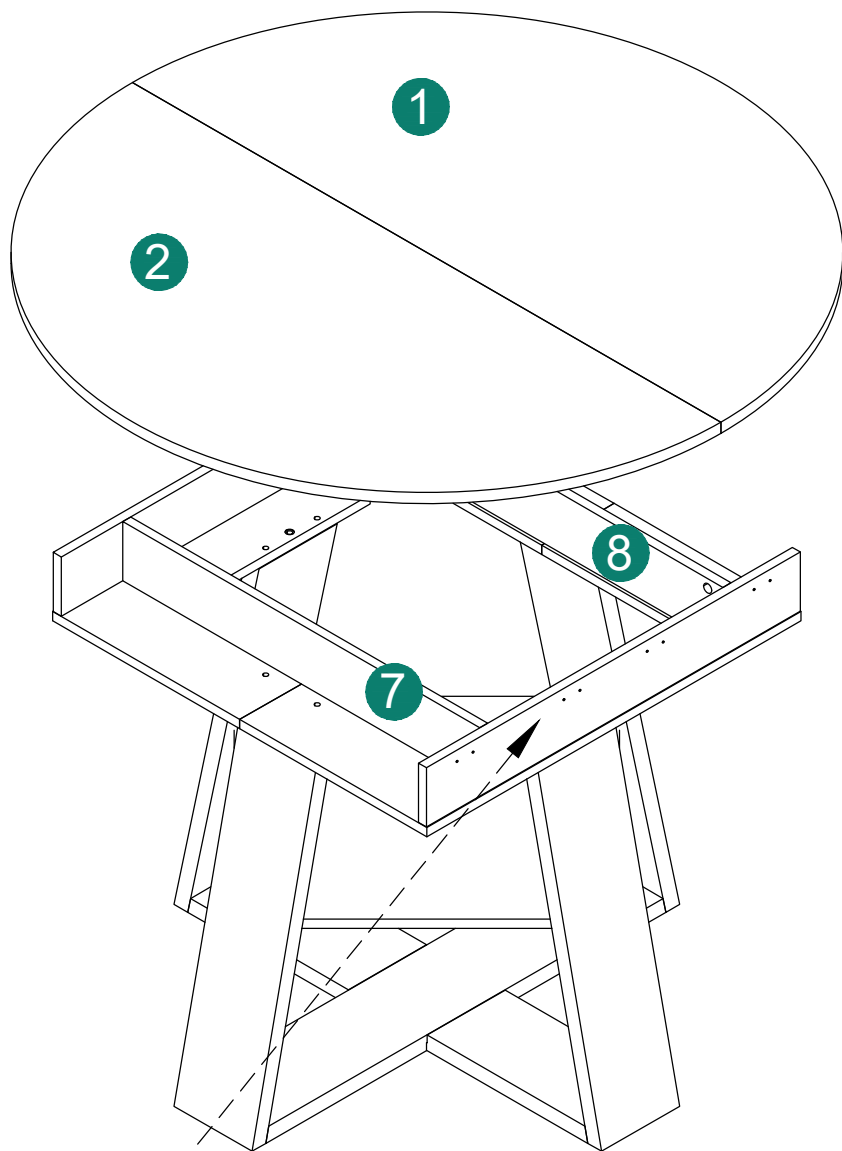


Step 9

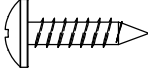

E x8

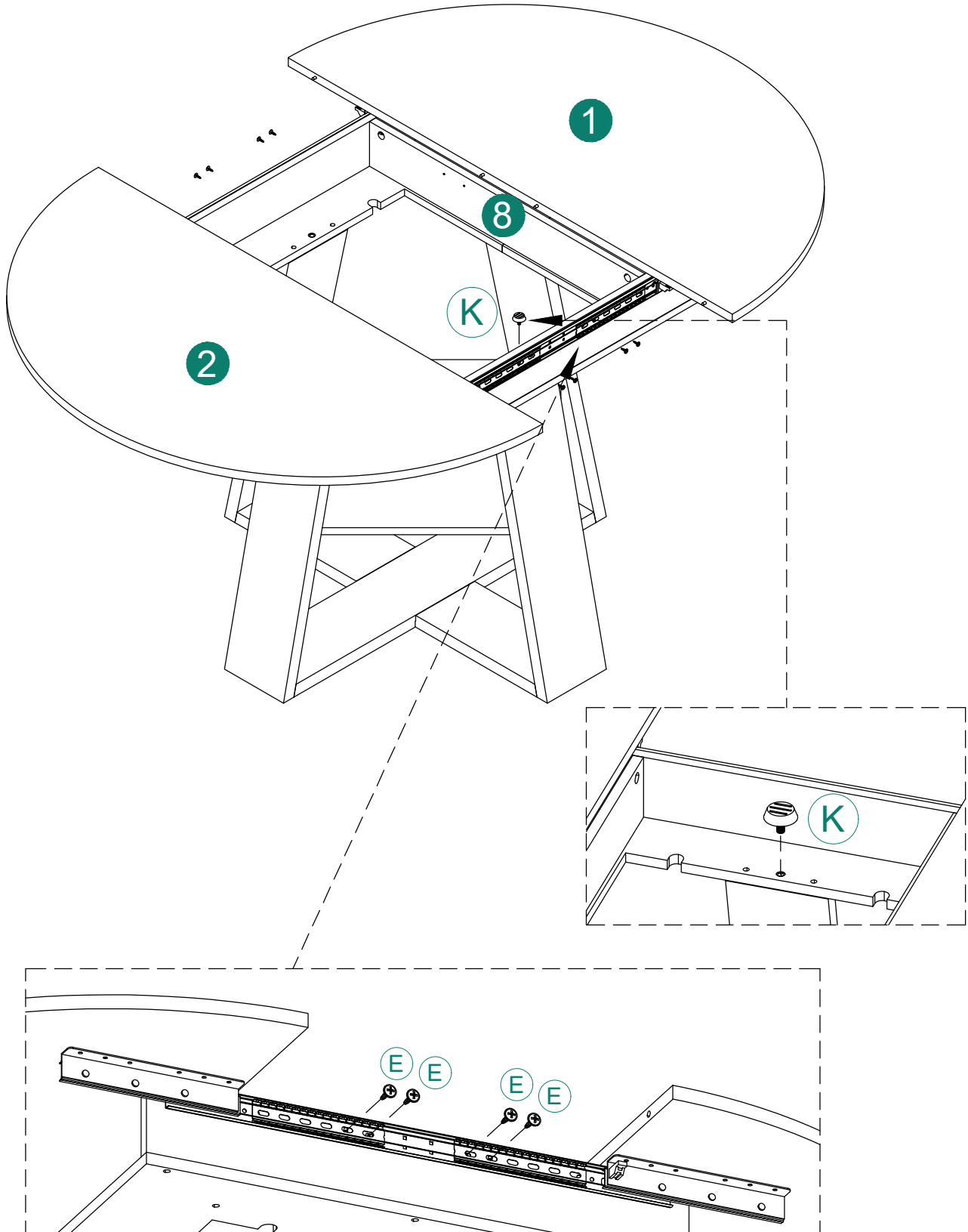


Ø4x14mm

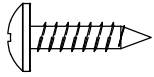
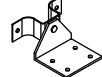




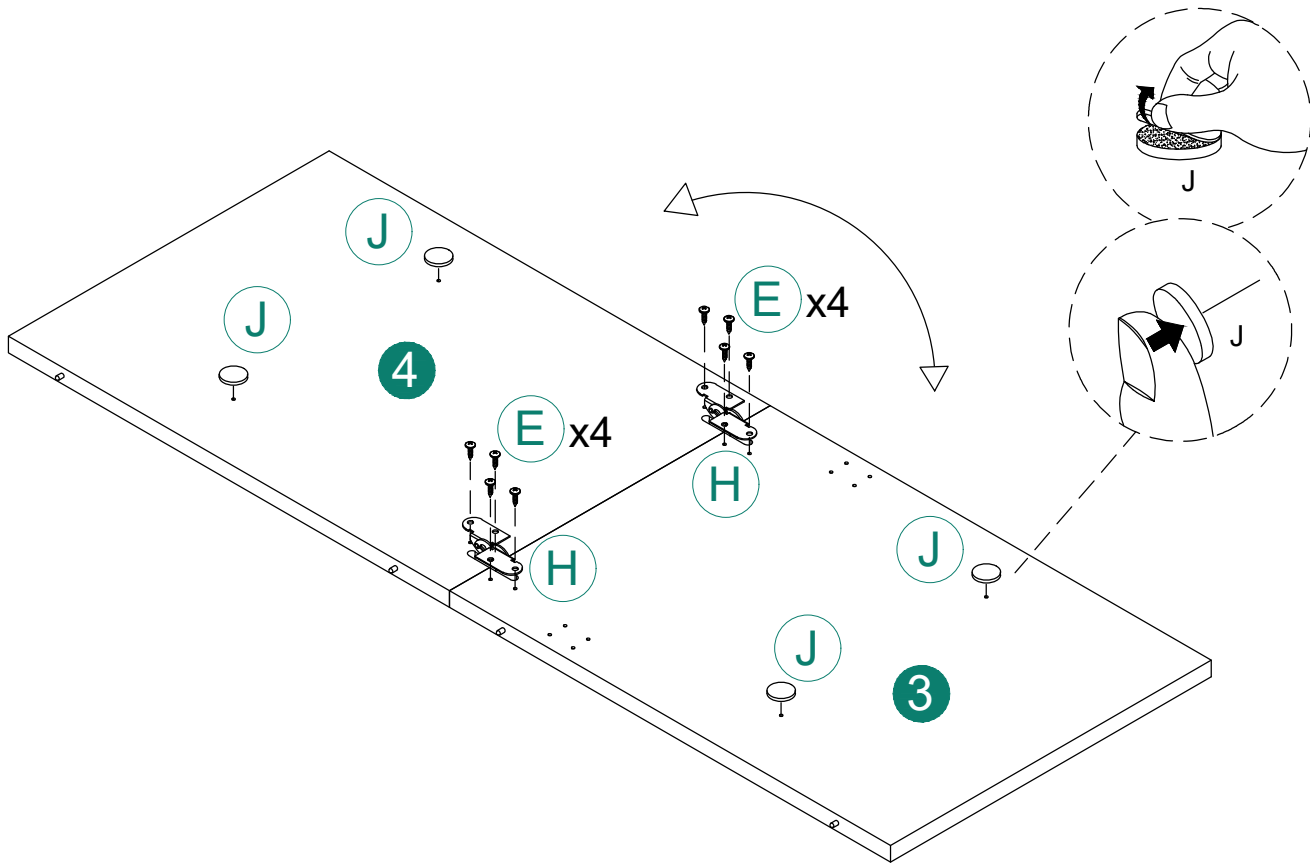
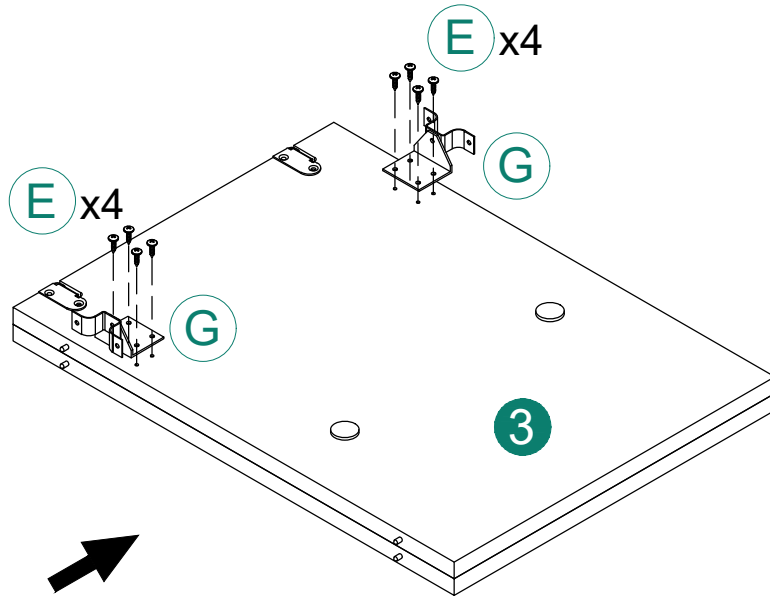
Step 10

E	x8	K	x1
			
Ø4x14mm			



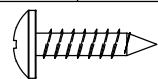
Step 11

E	x16	G	x2	H	x2	J	x4
							
Ø4x14mm							

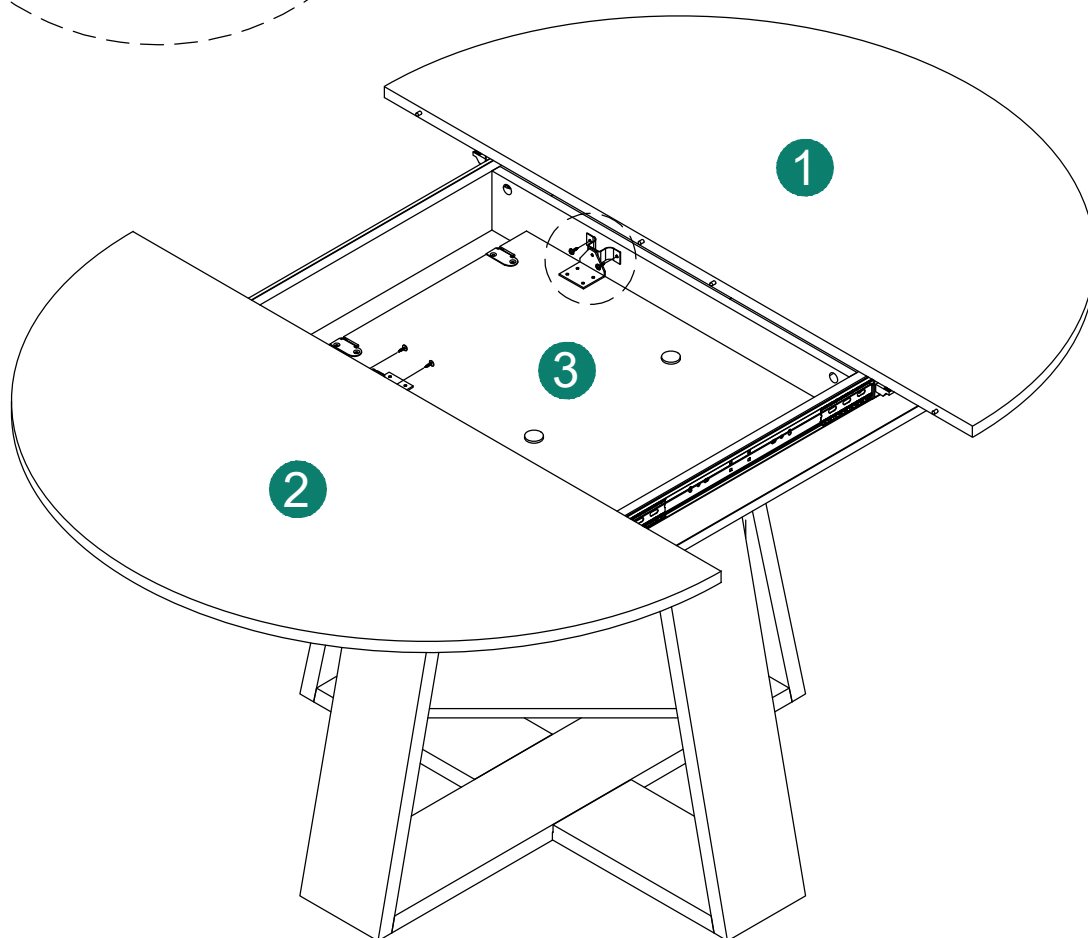
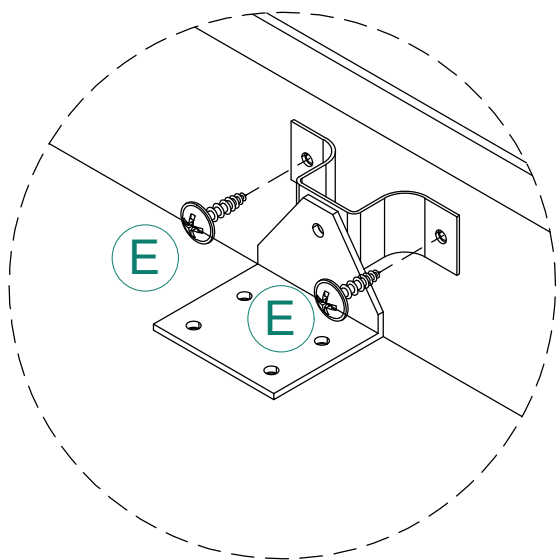


Step 12

E x4



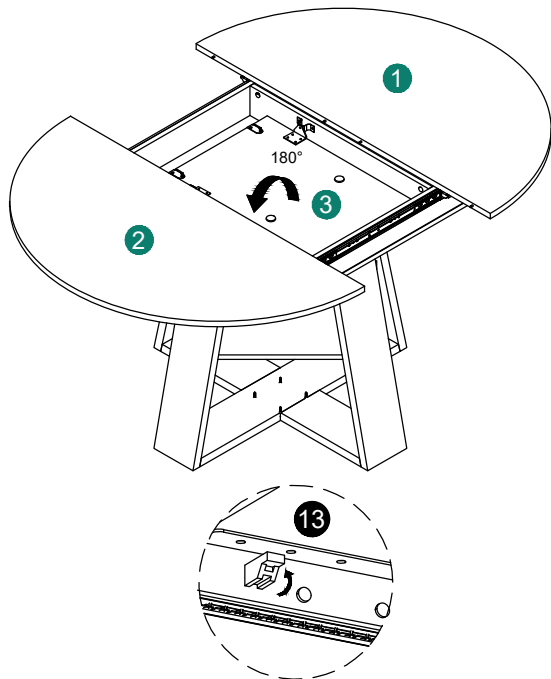
Ø4x14mm



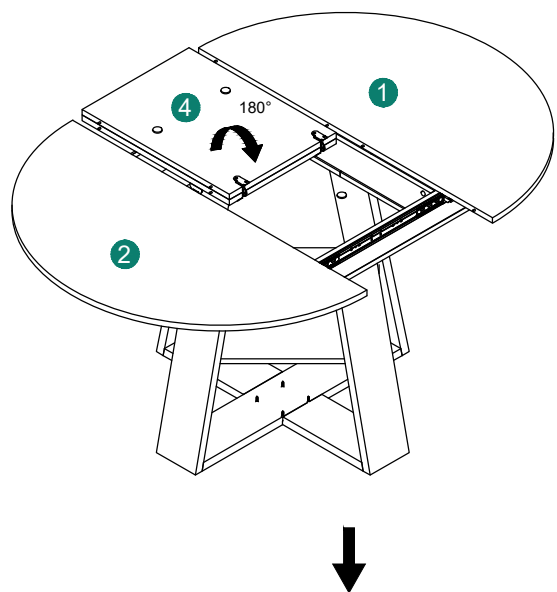
Step 13

First, Unlock the NO.13 sliding rail, then pull apart boards No. 1 and 2.

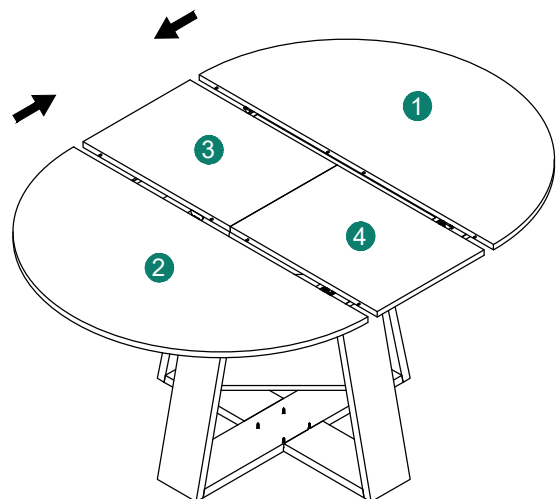
Step 1: Flip board No. 3 and 4 together by 180 degrees.



Step 2: Flip board No.4 by 180 degrees.



Step 3: Push board No. 1 and board No. 2 toward the middle.



Finally, lock the No. 13 sliding rail.

