



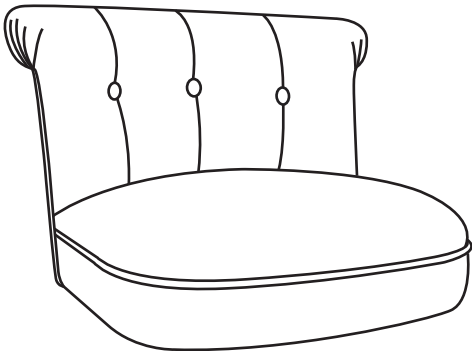


# ASSEMBLY INSTRUCTION

HARDWARE LIST	CODE	PARTS	QTY.
	A		8+1
	B		8+1
	C		8+1
	D		1

E



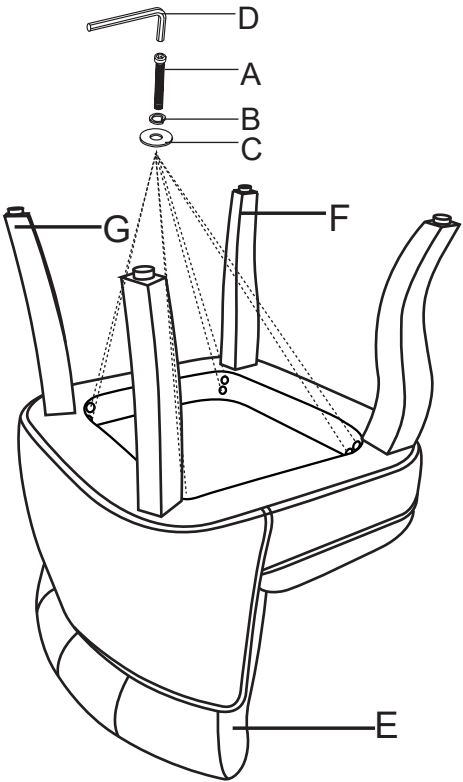
F Front leg



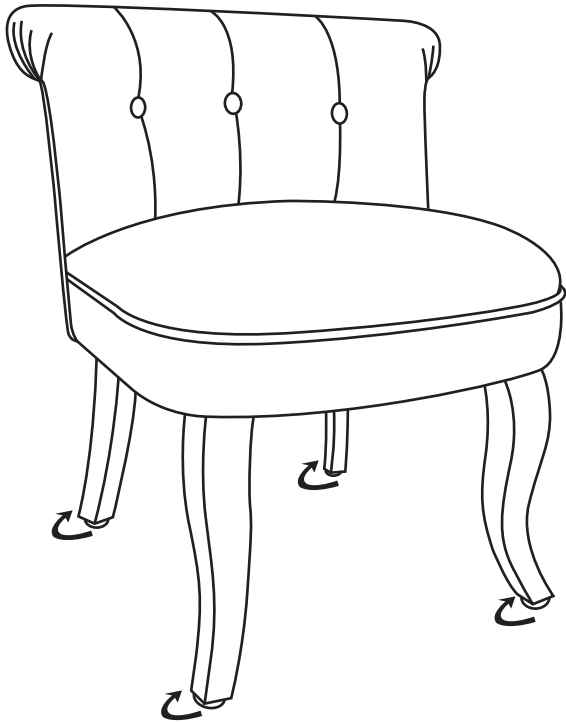
G Back leg



1



2



If needed, use adjustable foot pads to level chair.