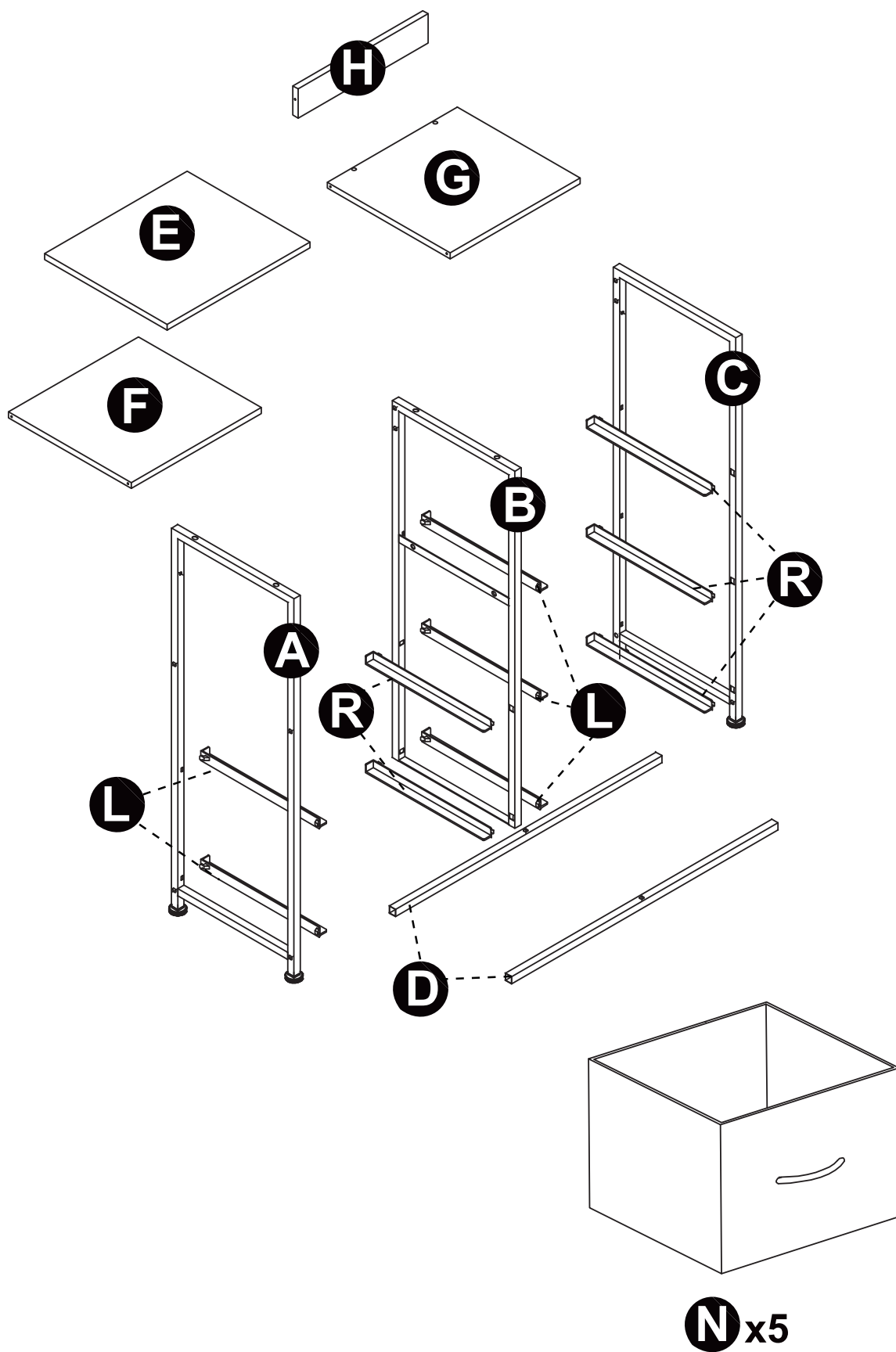


Drawer Storage Tower

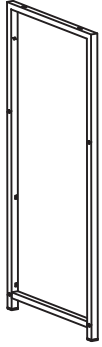
Instruction Manual





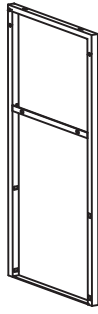
Package Contents

Ax1



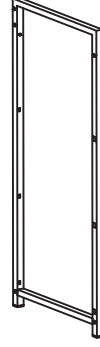
Left

Bx1



Middle

Cx1

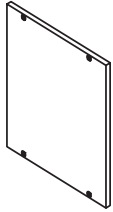


Right

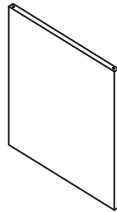
Dx2



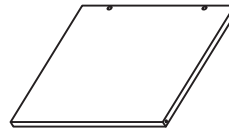
Ex1



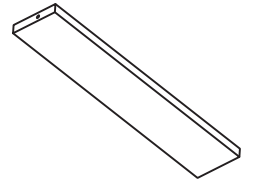
Fx1



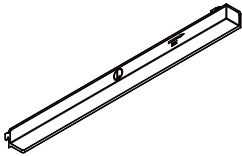
Gx1



Hx1

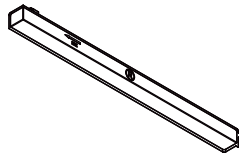


Lx5



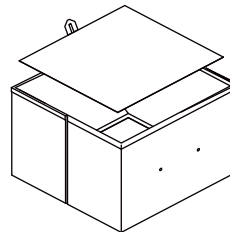
Left

Rx5

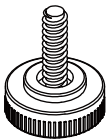


Right

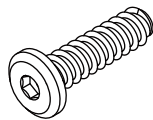
Nx5



1x4



2x10



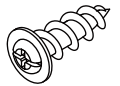
M6 x 23mm

3x2



M5x 16mm

4x10



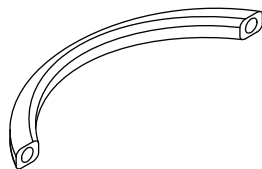
M4 x 10mm

5x10

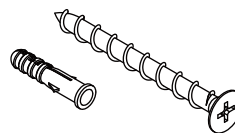


M5 x 30mm

6x5

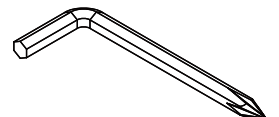


7x2



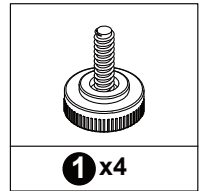
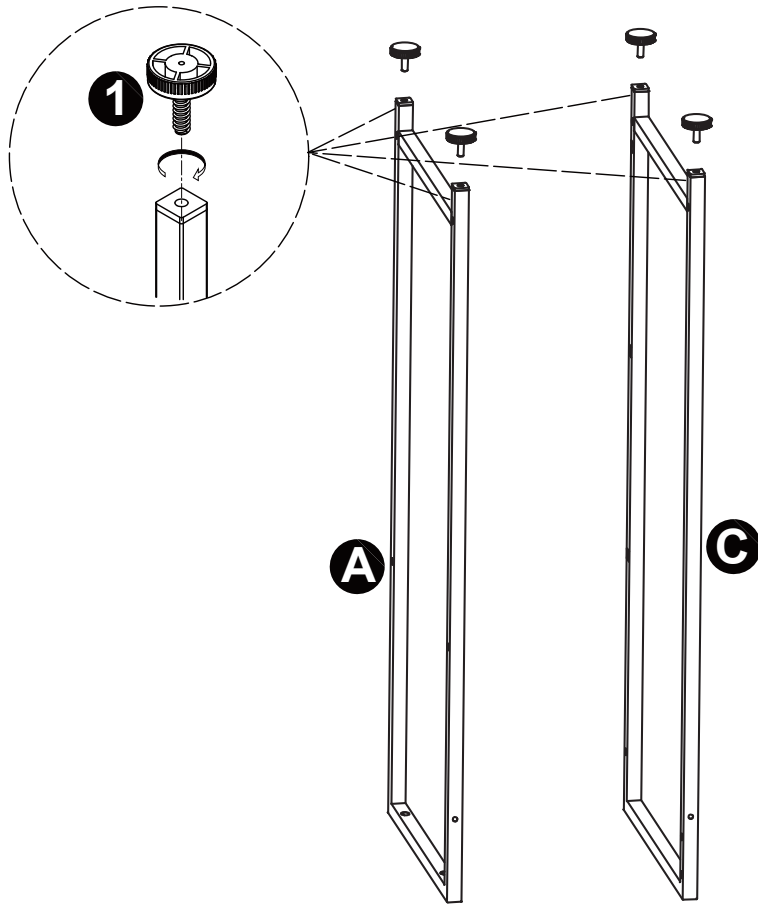
M4x60mm

8x1

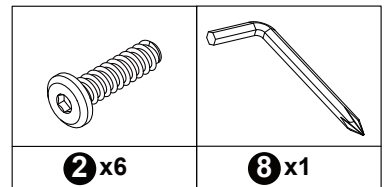
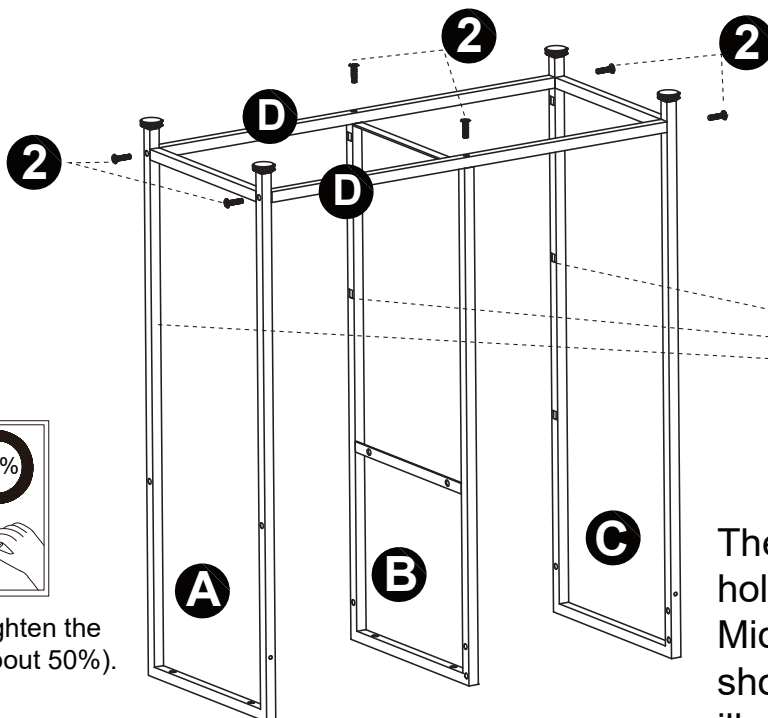


4mm

Step 1





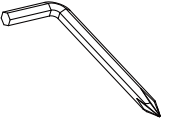
Step 2

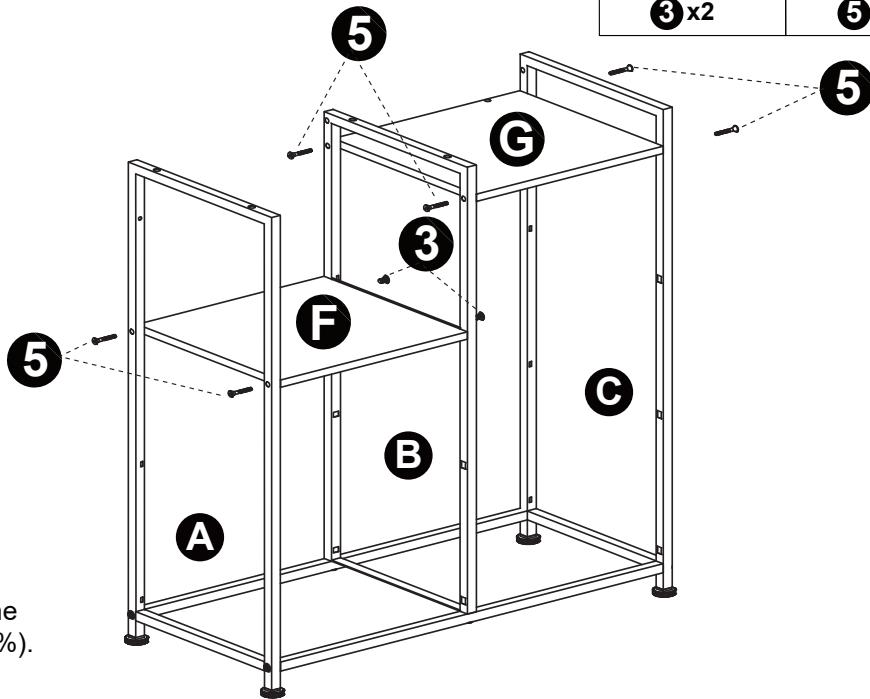


Partially tighten the screws (about 50%).

The orientations of the square holes on the Left(A) & Middle(B) & Right(C) should be consistent with the illustration.


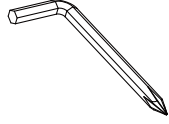
Step 3

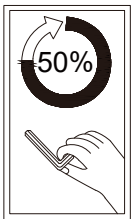
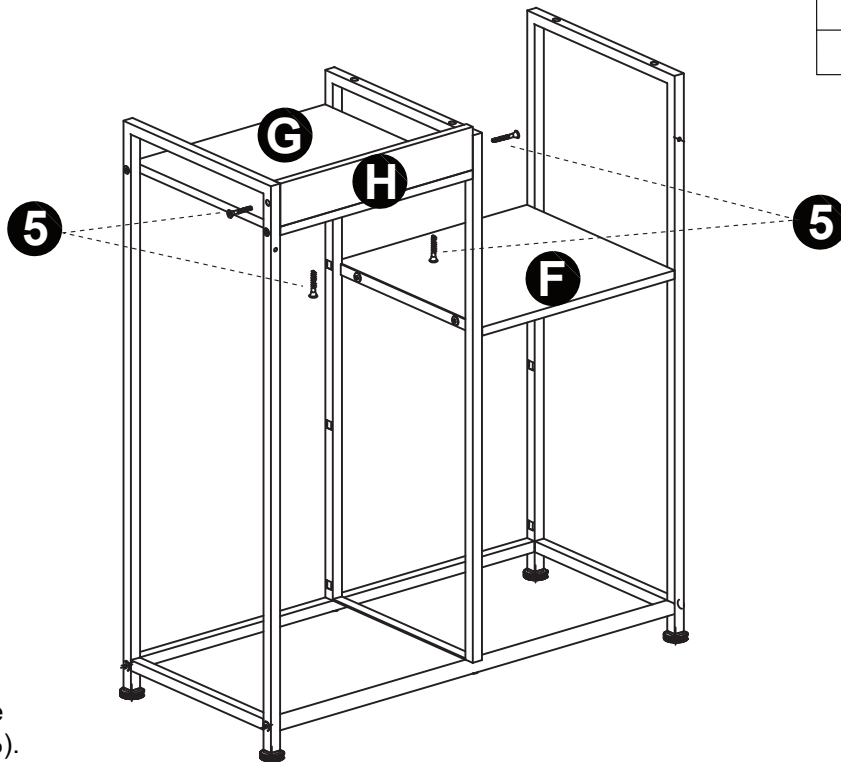
		
3 x2	5 x6	8 x1



Partially tighten the screws (about 50%).

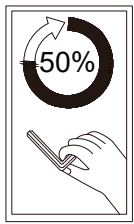
Step 4

	
5 x4	8 x1

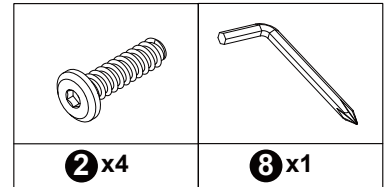
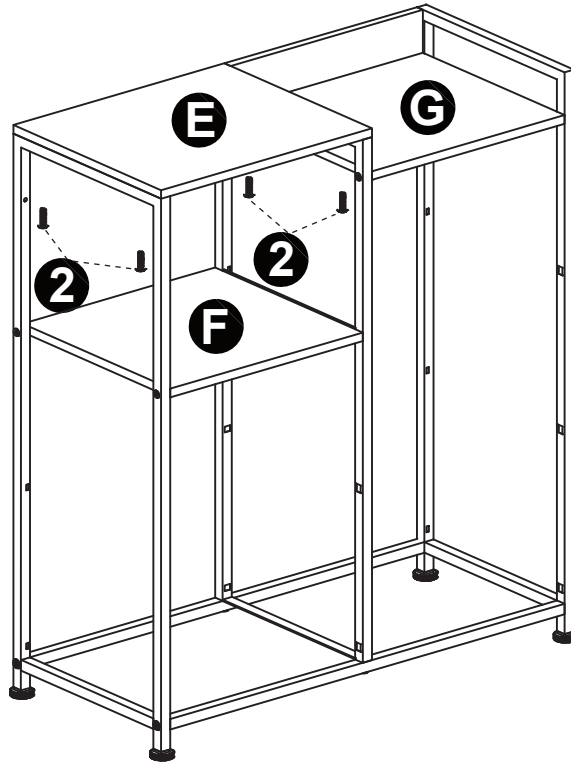


Partially tighten the screws (about 50%).

Step 5



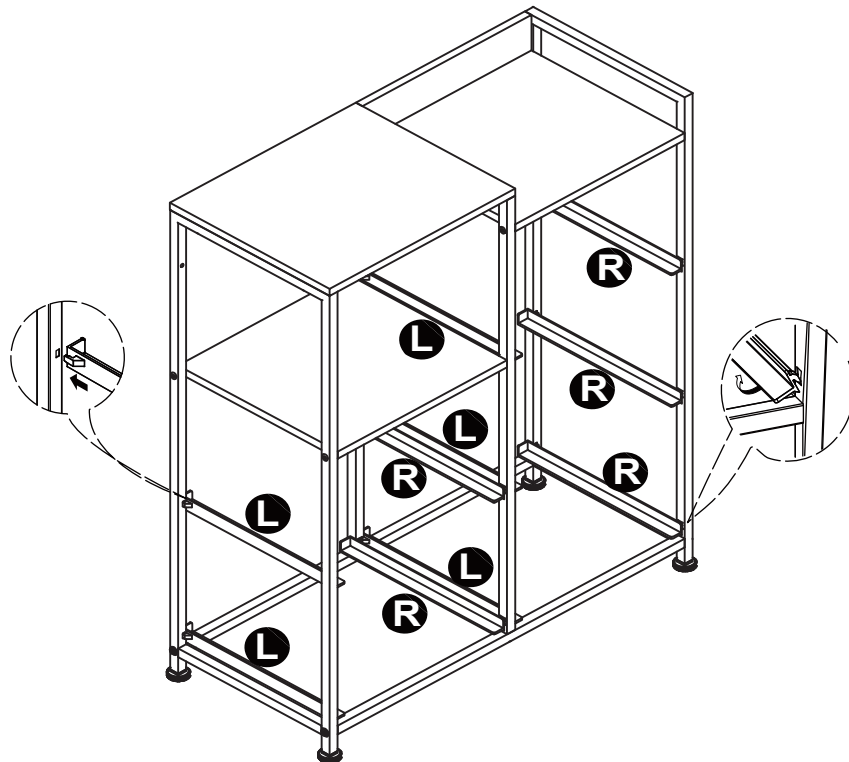
Partially tighten the screws (about 50%).



Step 6

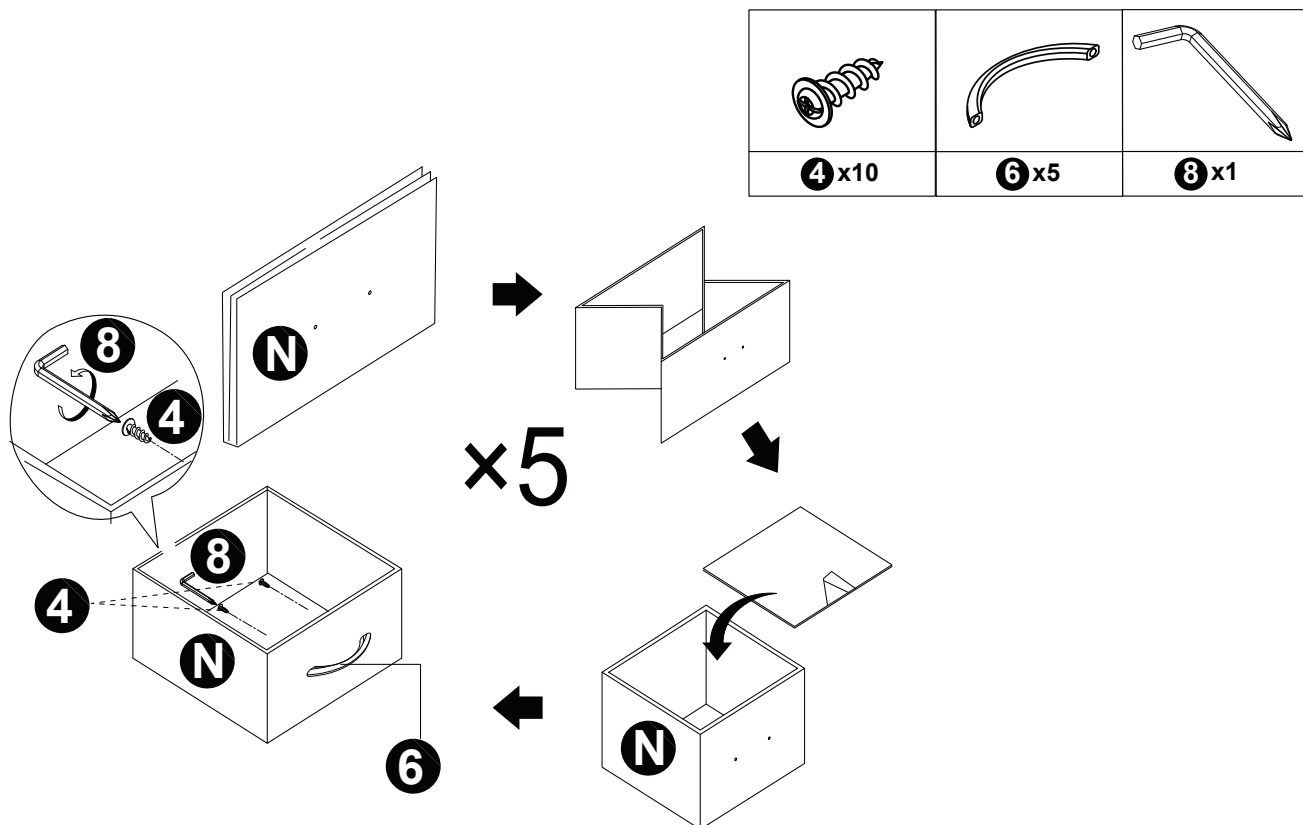


Fully tighten all screws.



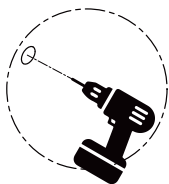
Once all drawer slides are in place, tighten all screws securely.

Step 7

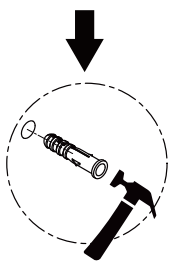


Step 8

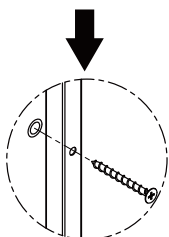
Install the anti-tip kit:



Drill a hole on the wall.



Insert a wall anchor into the hole.



Insert the screw through the frame A into the hole.

