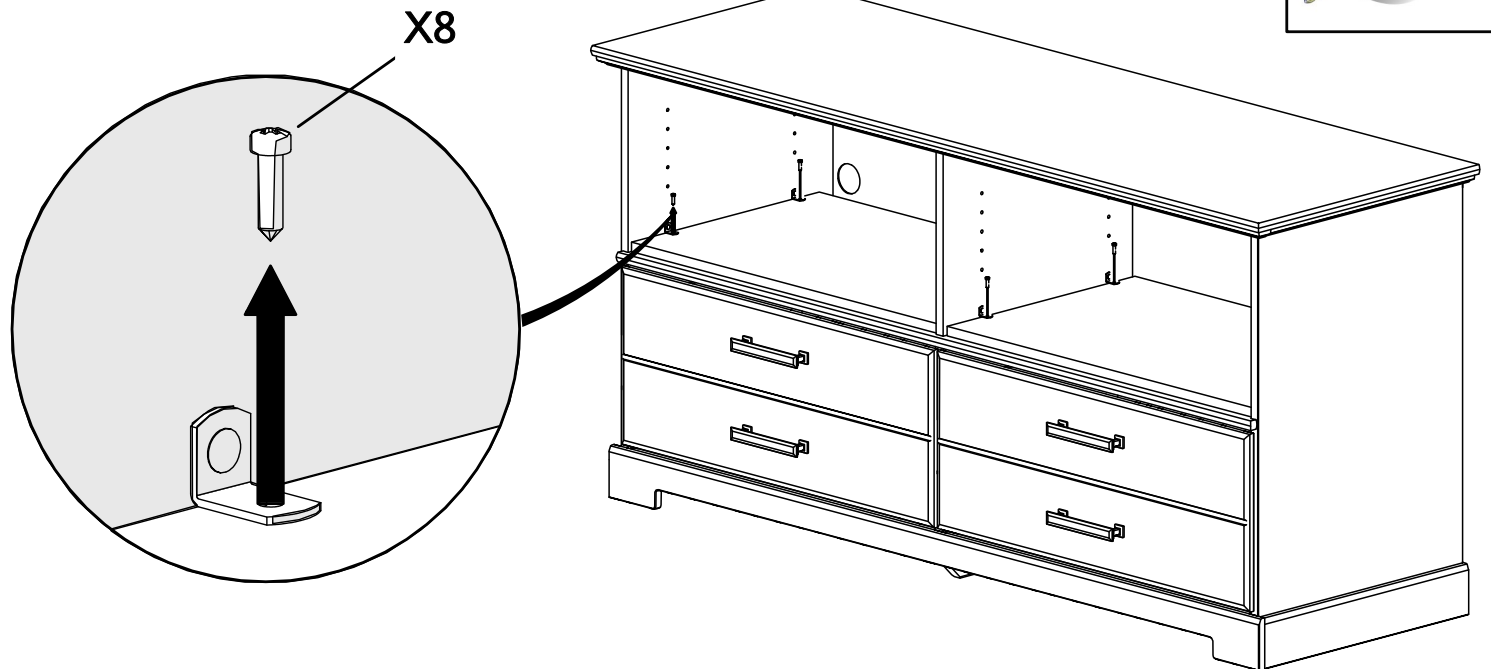
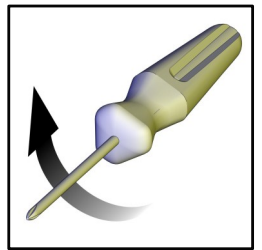


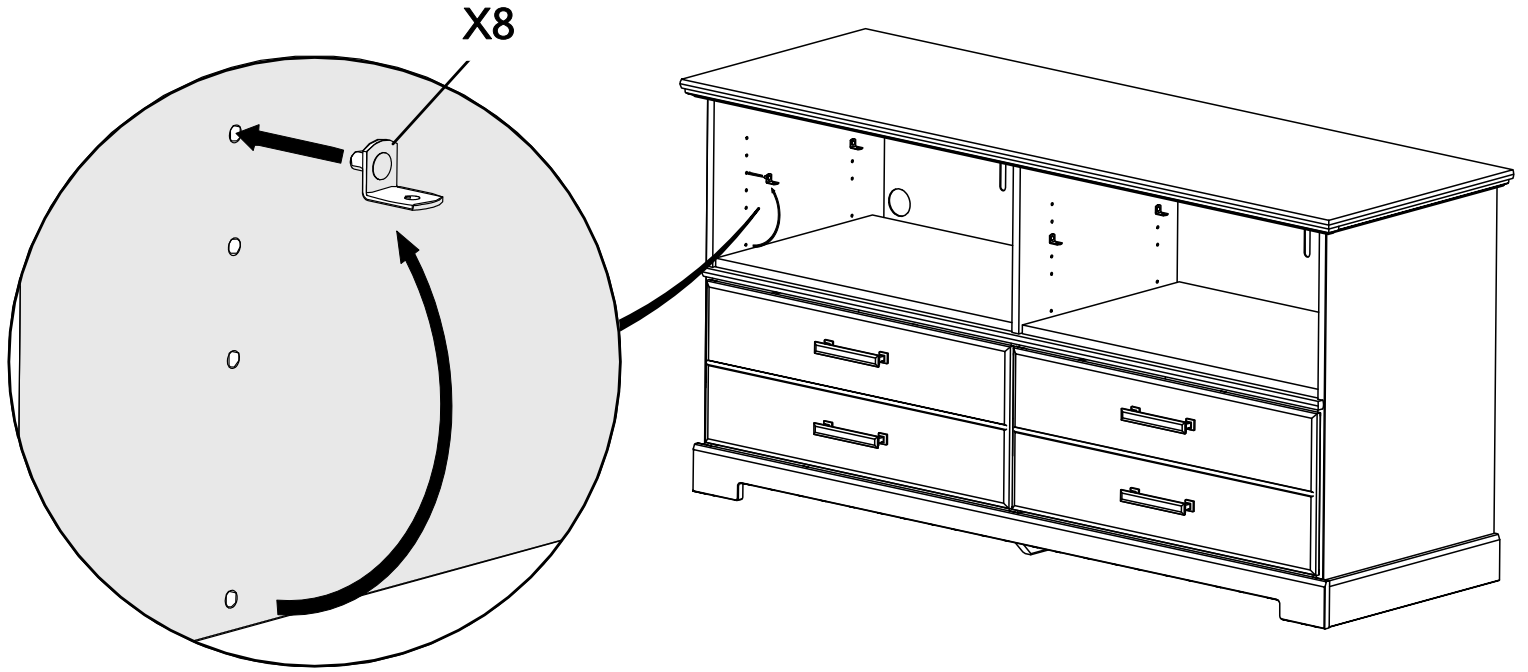
# Adjustable Shelf Instructions



## Step 1



## Step 2



## Step 3

