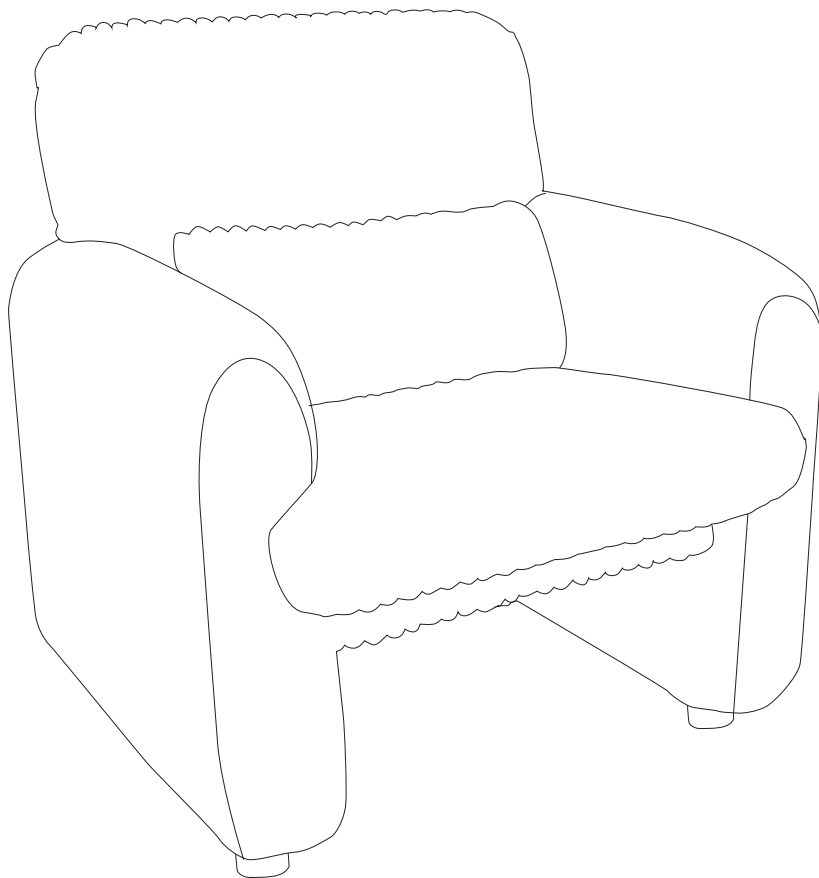


INSTALLATION INSTRUCTION

ONE SEAT SOFA



WARNING

- To avoid the risk of suffocation or choking hazards, keep plastic bags and small parts away from children under 3 years old and pets during assembly. Properly dispose of packaging materials before use.
- Before sitting on the chair, ensure it is securely and properly assembled.
- Do not leave children unattended on or near the chair.
- Do not sit on the edges, armrests, or backrest of the chair, as this may cause tipping.
- Assembly requires two people!
- Weight capacity: 250 lbs / 113 kg!

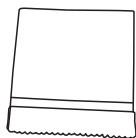
WARRANTY

- We offer a 1-year warranty for each chair purchased.
- For any questions or suggestions, feel free to contact us
- Every email will receive a prompt and satisfactory response.

CARE & MAINTENANCE

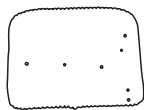
- Do not wash, bleach, tumble dry, iron, or dry clean.
- Vacuum cleaning is recommended.
- Wipe clean with a damp cloth.
- To prevent fading, keep fabric away from direct sunlight.

ACCESSORIES LIST



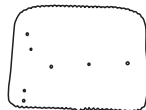
A

Seat Frame
x1



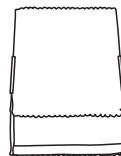
B

Right Armrest Soft
Pads One Each
x1



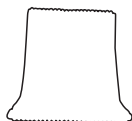
C

Left Armrest Soft
Pads One Each
x1



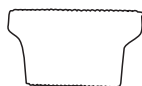
D

Backrest
x1



E

Cushion
x1



F

Backrest
x1



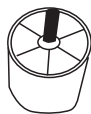
G

Lumbar Support
x1



H

Backrest
x1



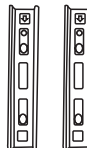
I

Foot
x4



J

Plastic Spacer
x4



K

Insert Piece
x2



L

Felt Pad
x4



M

Screw
(M8*50mm)
x6+1



N

Screw
(M6*25mm)
x8+1



O

Flat Washer
x6



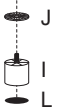
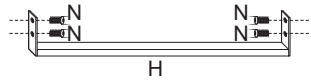
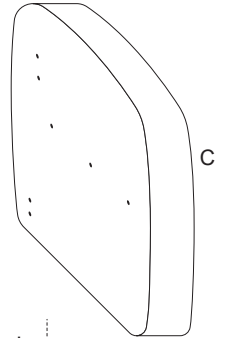
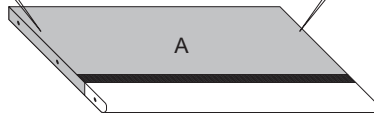
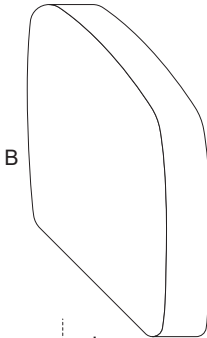
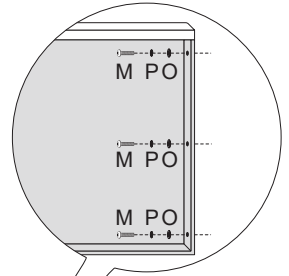
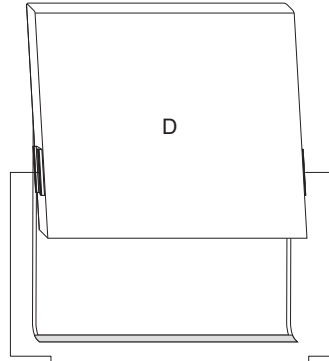
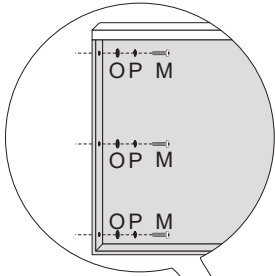
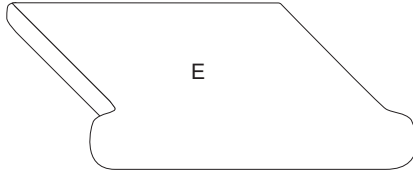
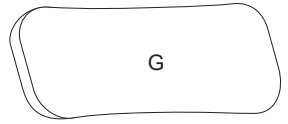
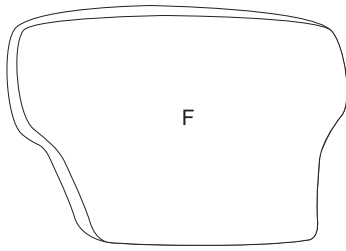
P

Spring
x6



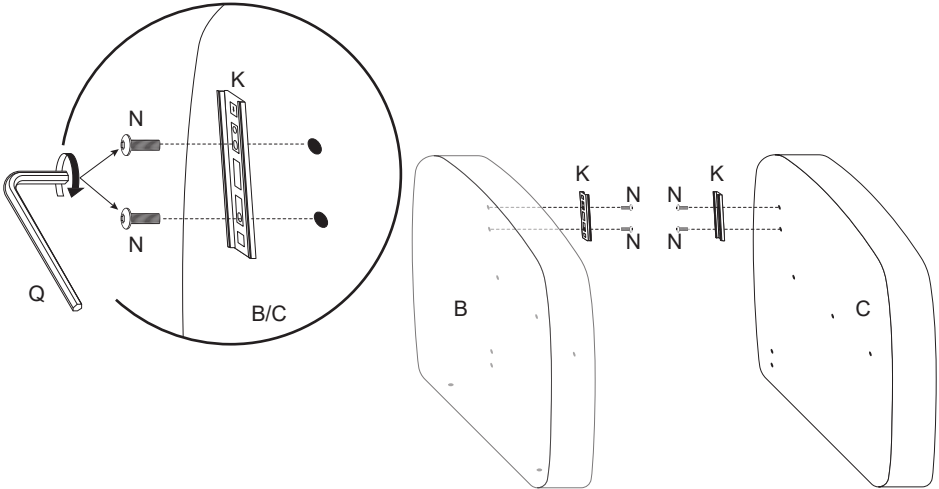
Q

Wrench
x1



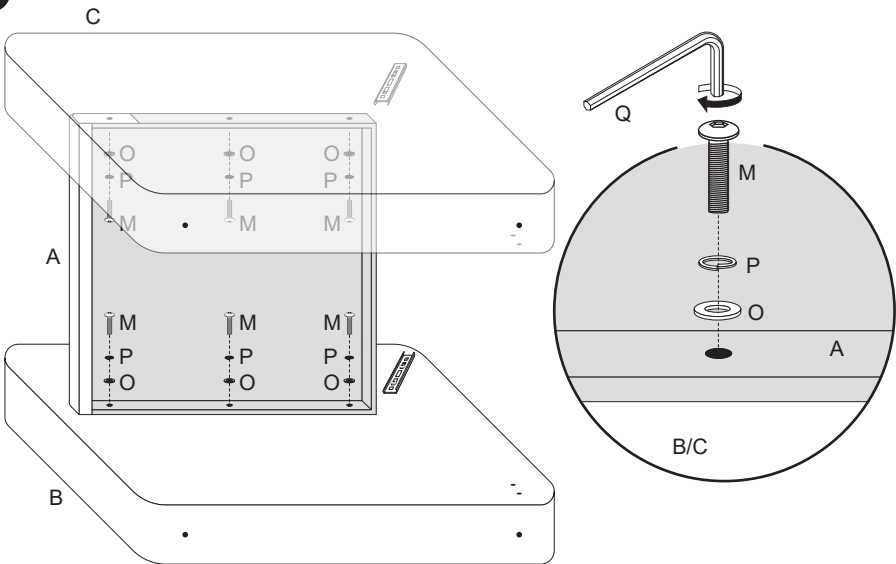
INSTALLATION STEPS

1



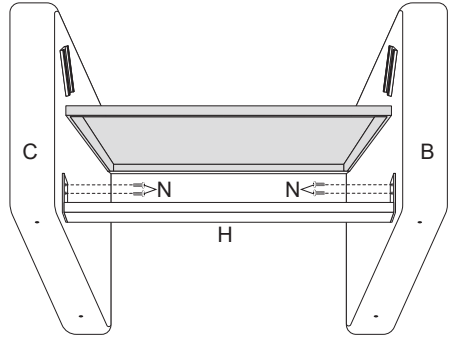
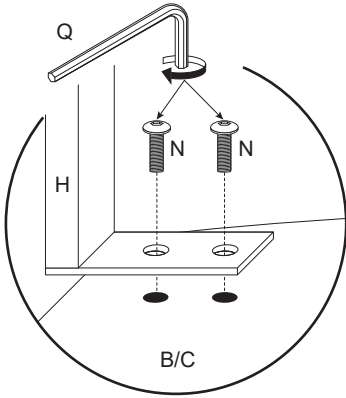
Assemble the (K) metal insert to both sides of the armrest.

2



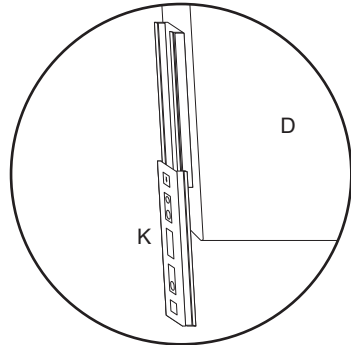
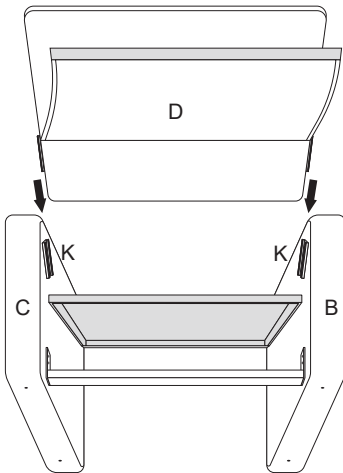
Align the (A) seat frame with the armrest using washers (O, P) and screw (M). Tighten the screw (about 70-80%), but do not fully lock it.

3



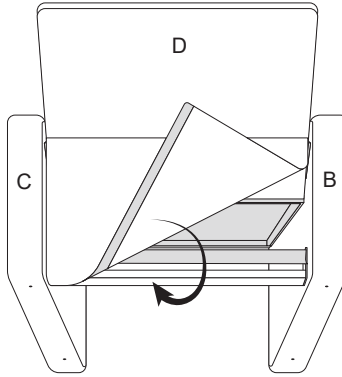
Use screws (N) to secure the bottom cross rail (H) between the two armrests, ensuring it is firmly fixed.

4



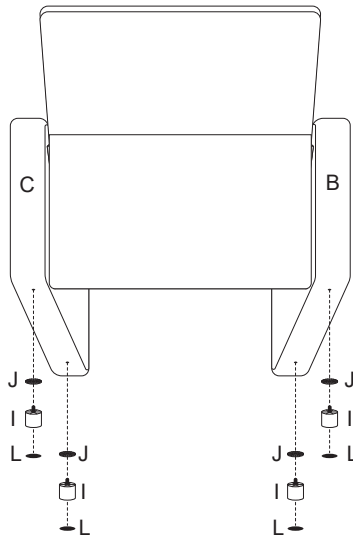
Align the metal inserts on the (D) backrest and armrests, insert them into place, and secure them firmly.

5



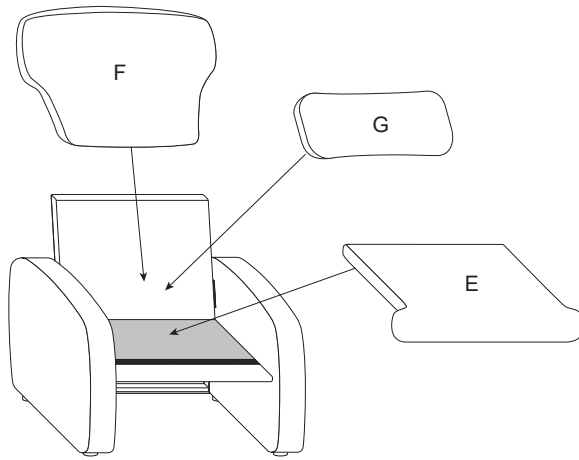
Pull the (D) backrest fabric taut and adhere it to the metal crossbar to ensure a smooth and secure fit. Once everything is aligned, go back and fully tighten the fastenings. This makes assembly easier and safer!

6



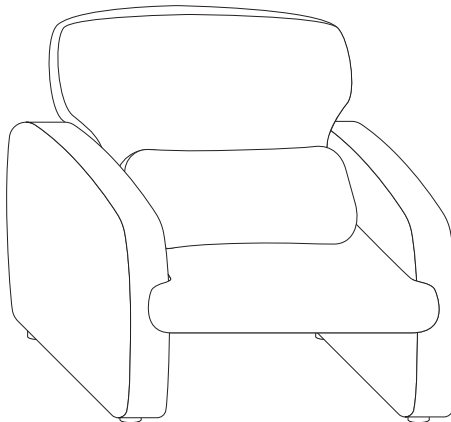
Securely tighten the footrests (I) using washers (J), and place 4 felt pads (L) under each of the 4 footrests.

7



Install the seat cushion, backrest cushion, and lumbar pillow onto the chair to complete the assembly.

8



Assembly Completed.