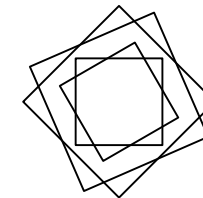
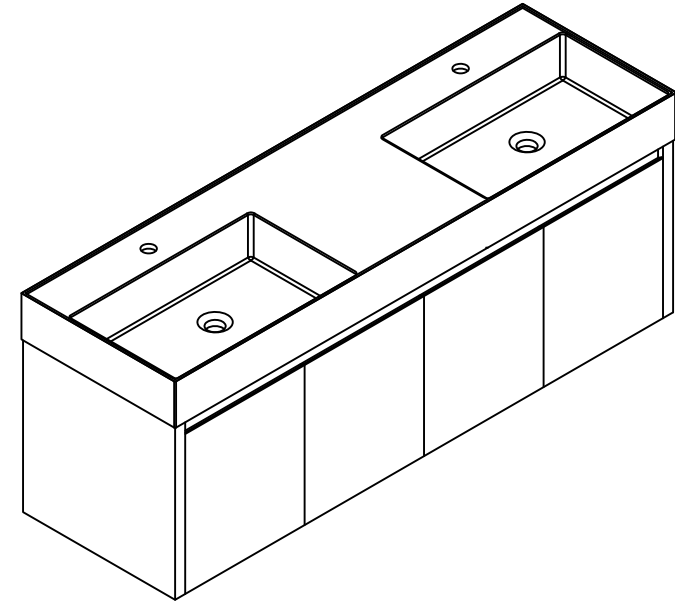


Installation Manual-BV B03560

**MOTIVATE
YOUR LIFE !**



THANKS FOR WATCHING













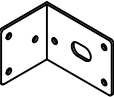
Your feedback is invaluable to us and we would love to hear about your experience. Please take the time to leave us a review.

Thank you for shopping with us!

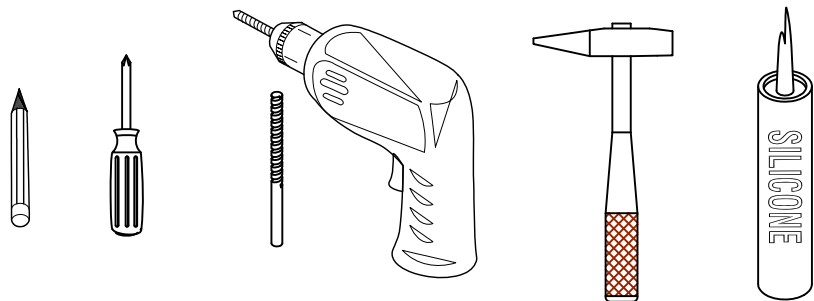
We encourage you to take a few minutes to go through this booklet. It contains important information on installation and care tips to keep your furniture looking as good as new.

Item NO.:BV B03560

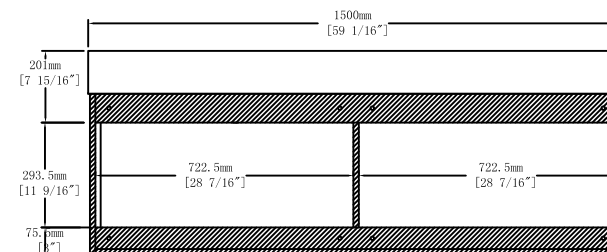
Hardware

NO.	Draw	QTY	NO.	Draw	QTY
A	 Screws Ø4x14mm	80	H	 Bracket (19x19x35mm)	2
B	 Two-in-one connector	24	I	 Hinges (Internal hiding)	4
C	 Two-in-one connector	24	J	 Hinges (Half cover)	4
D	 Wood plug	5	K	 Screws Ø4x25mm	1
E	 Plastic anchor(Ø10mm)	8	L	 Anti-collision gasket	8
F	 Screws for fix on the wall	8	M	 Screwdriver	1
G	 Bracket (53x70x44mm)	4			

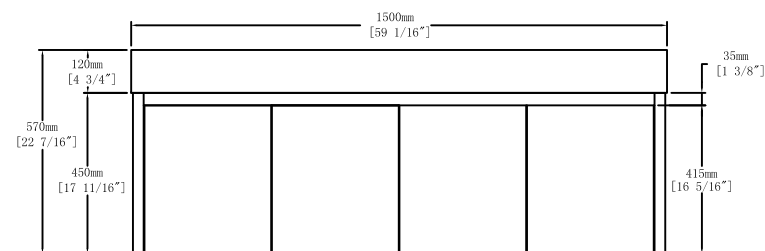
Recommended tools



Dimensions



Back View

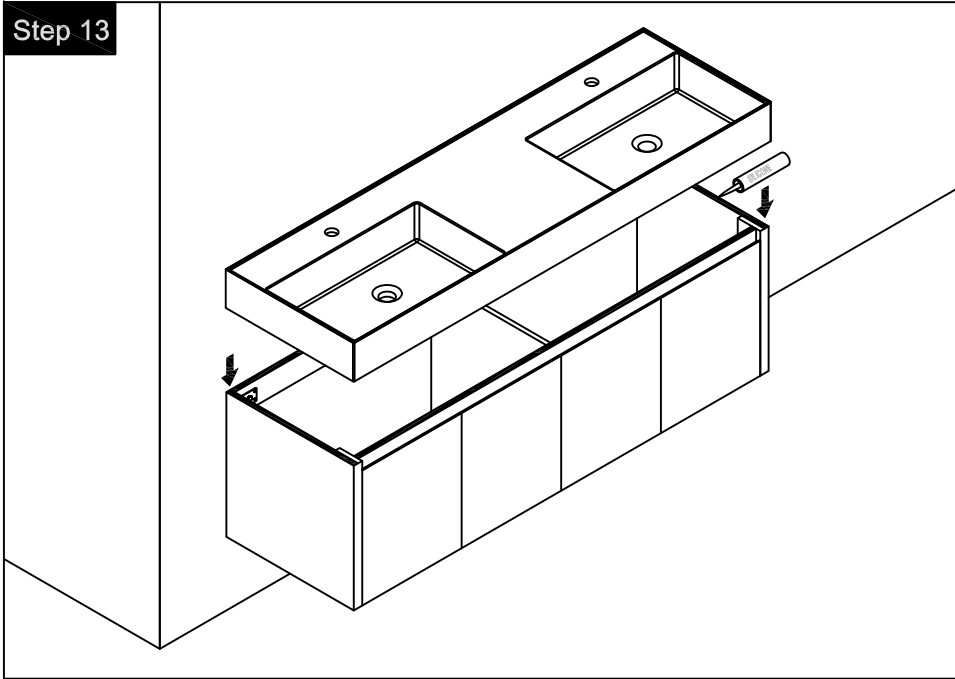


Front View

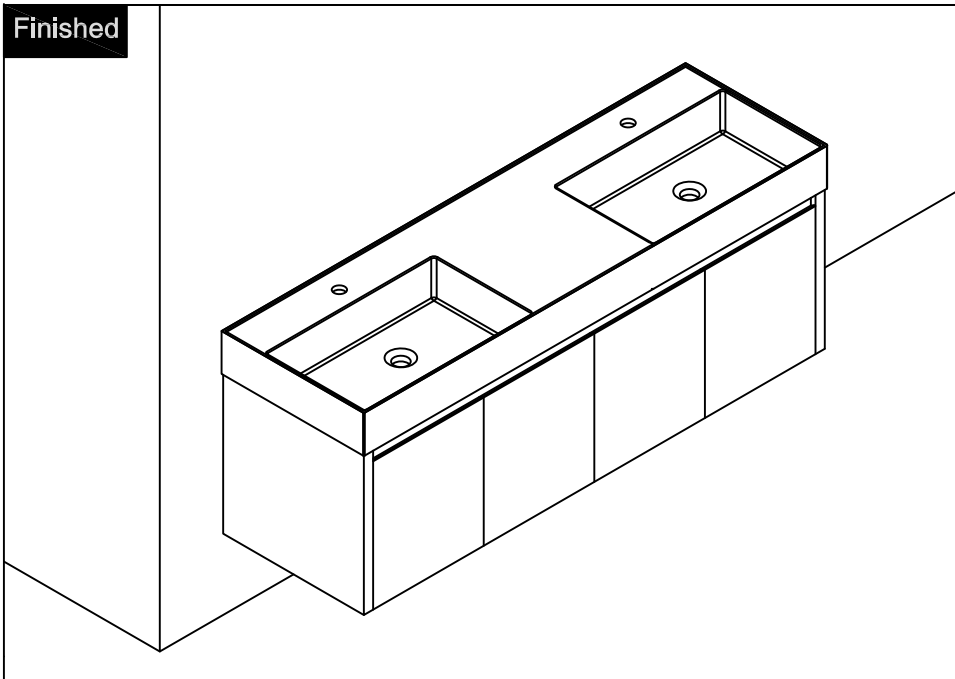
CARE CLEANING AND MAINTENANCE

1. Dust regularly with a soft , dry cloth.
2. Avoid the use of all chemicals household cleaners, abrasives, or cleaners that contain lemon, vinegar, or other acids that may damage the finish.
3. Excessive exposure to sunlight and extreme changes in temperature and moisture can damage wood furniture.
4. The sink top is resilient, but care needs to be taken to preserve its appearance.
5. Do not place hot appliances, such as curling irons and hot hair dryers directly on the countertop. Wipe spills immediately.

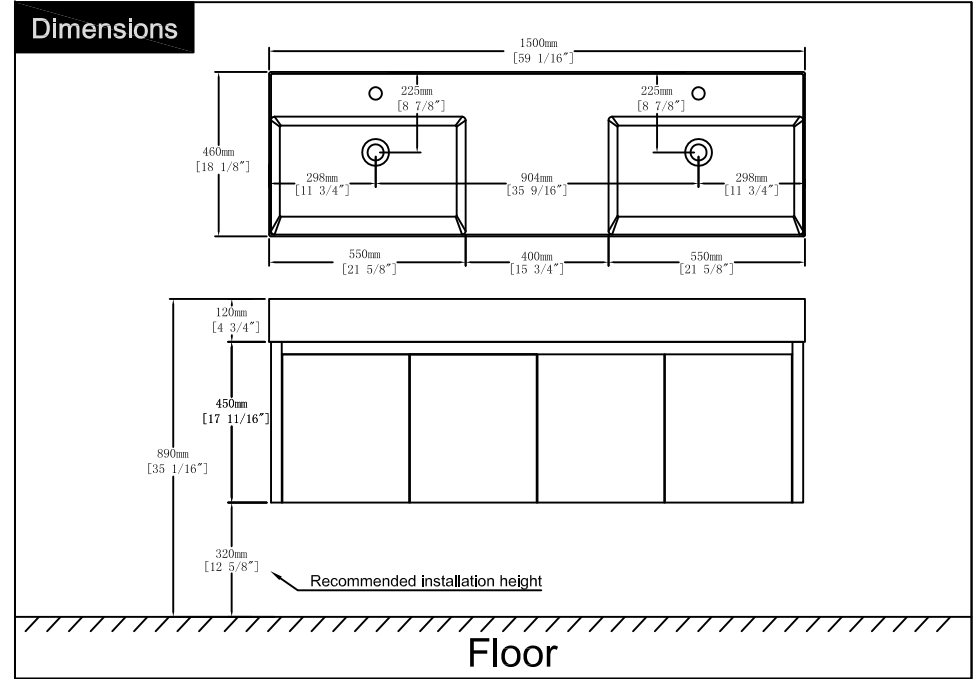
Step 13



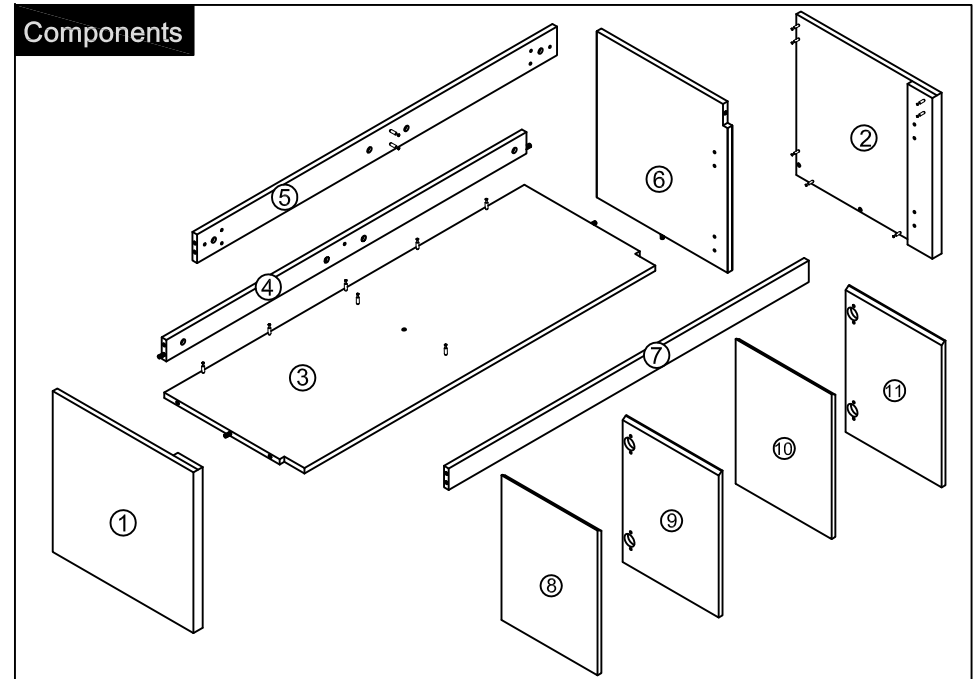
Finished



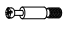

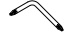
Dimensions

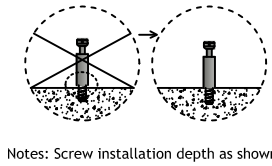
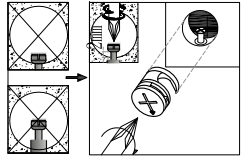
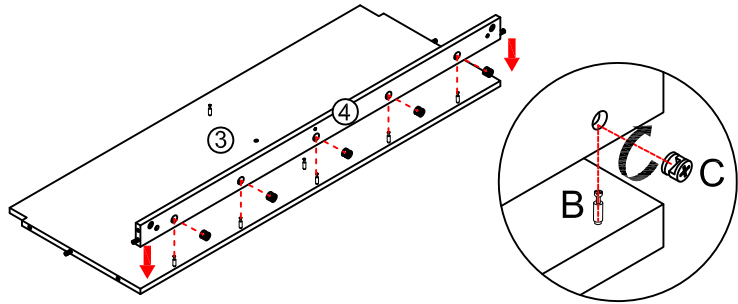


Components

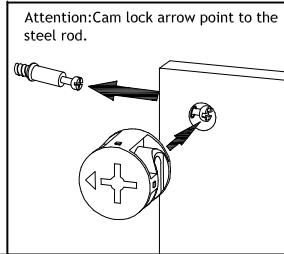


Step 1


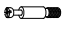



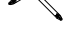
	x5
B	
	x5
C	
	x1
M	



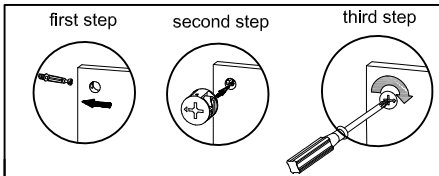
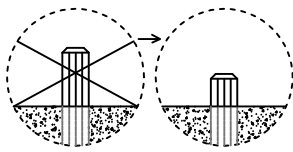
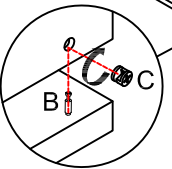
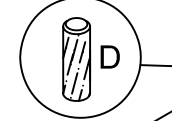
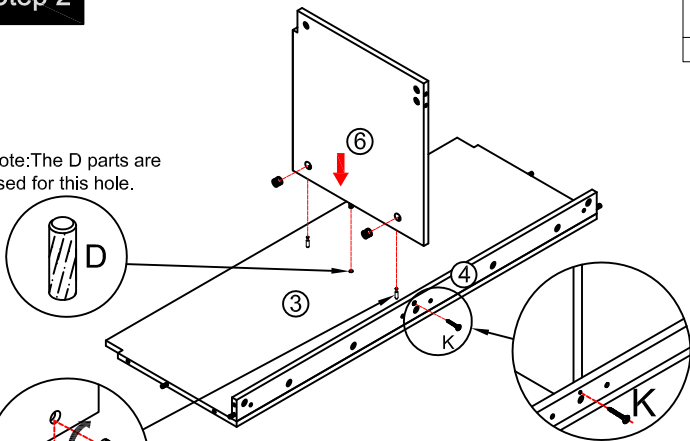
Notes: Screw installation depth as shown




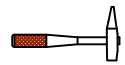
Step 2

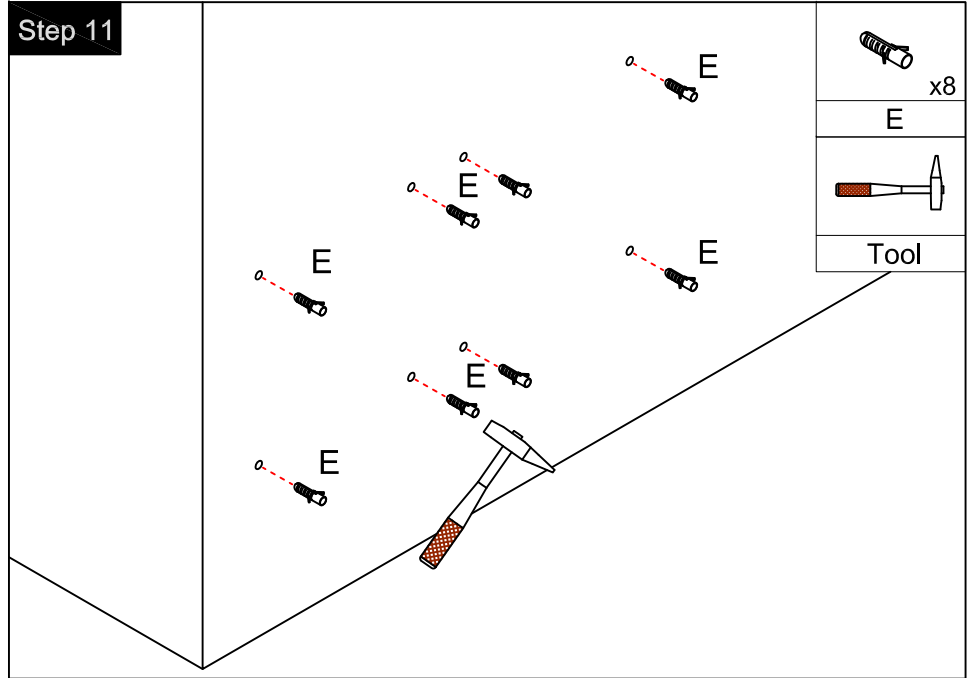
	
Tool	
	x2
B	
	x2
C	
	x1
D	
	($\varnothing 4 \times 25\text{mm}$)
	x1
K	
	x1
M	

Note: The D parts are used for this hole.

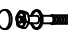



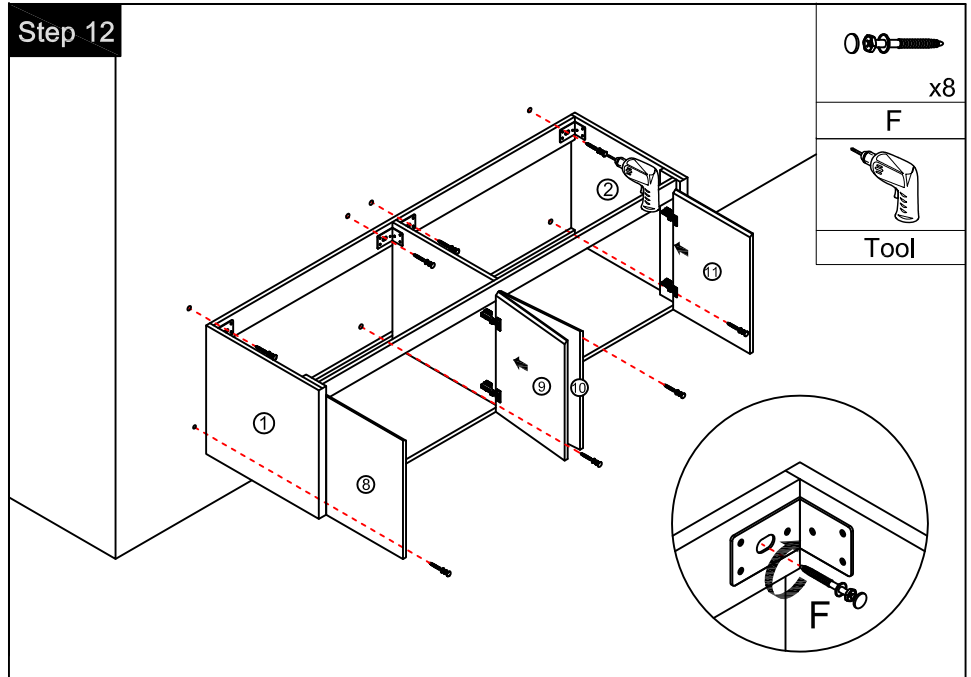
Step 11

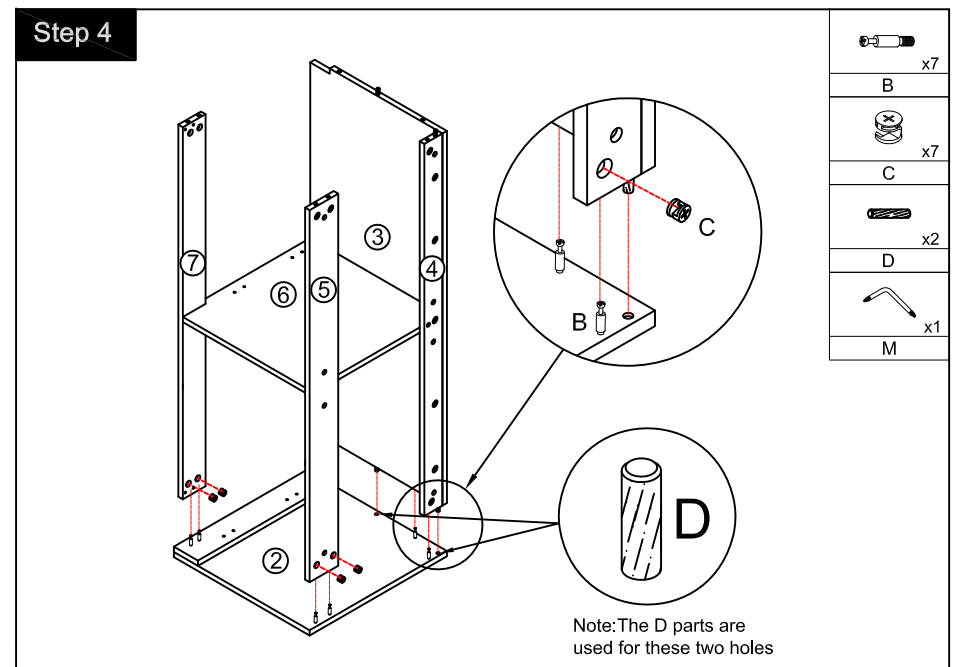
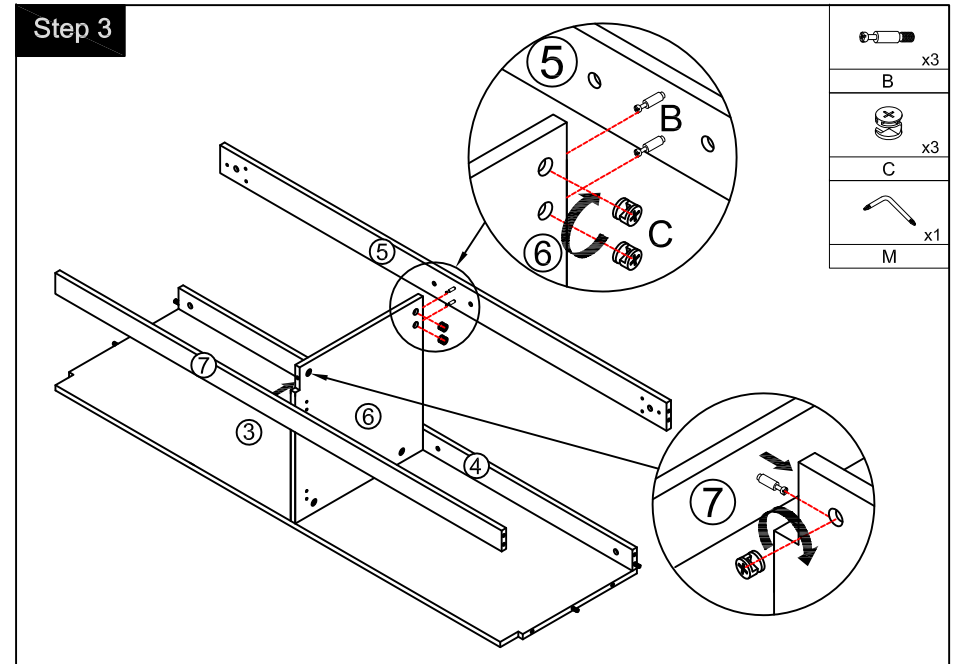
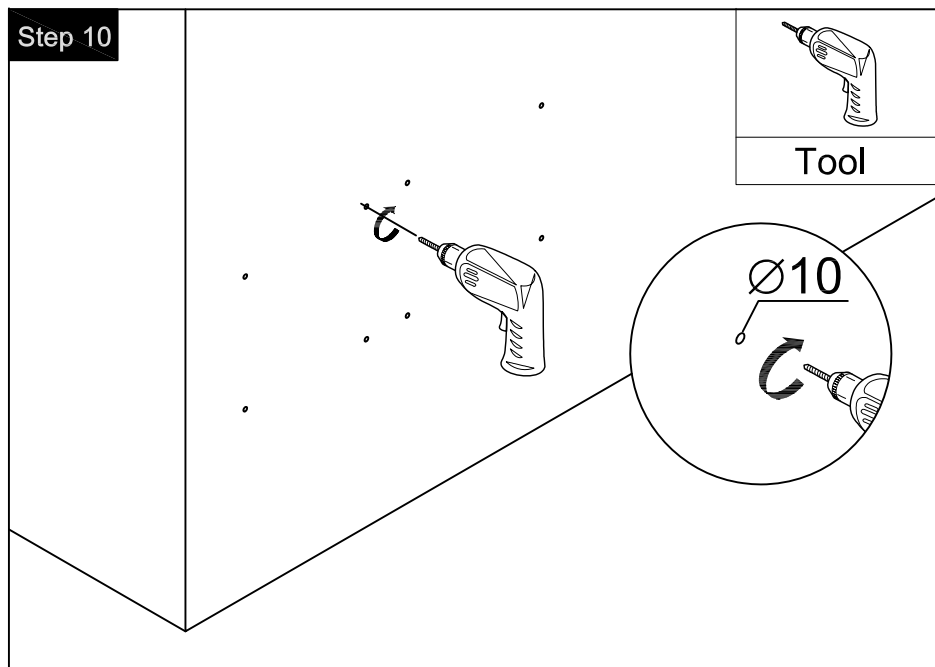
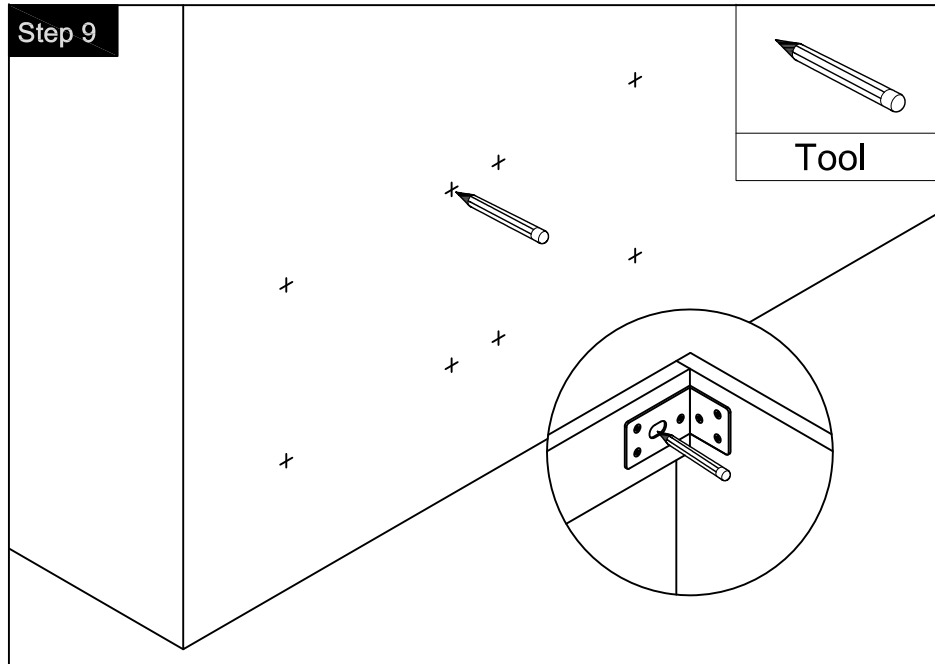
	x8
E	
	
Tool	



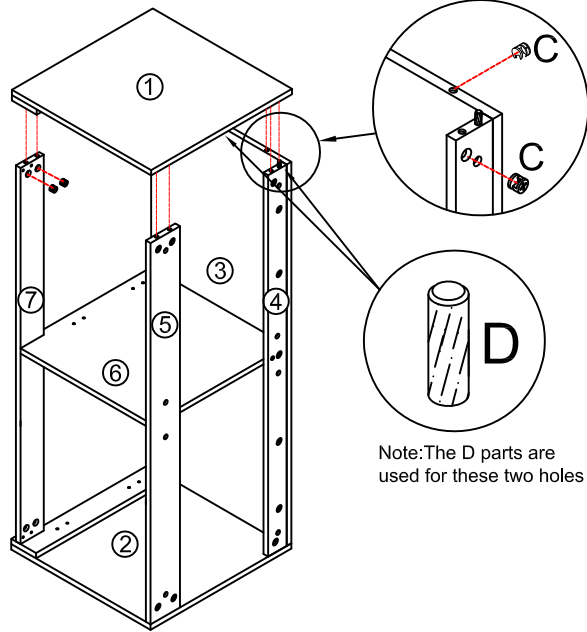
Step 12

	x8
F	
	
Tool	





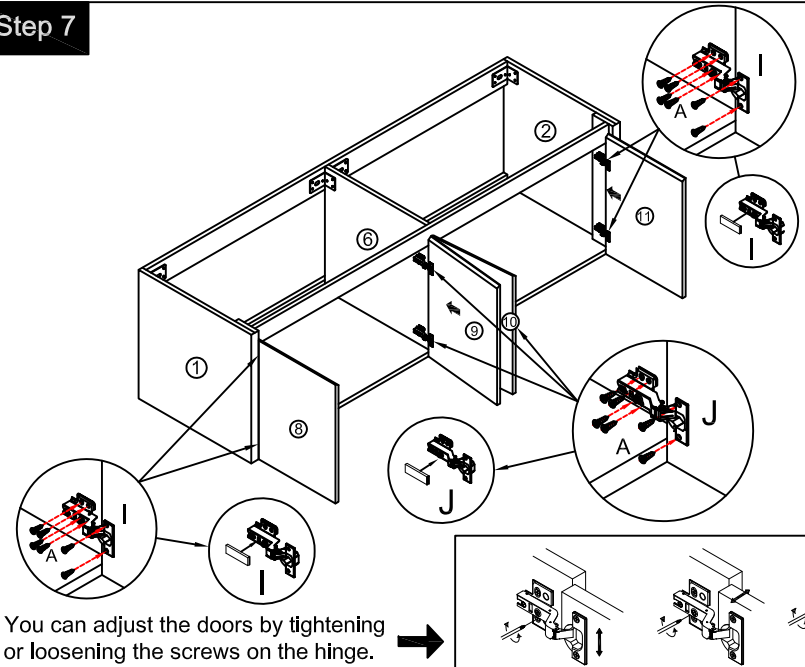
Step 5



Note: The D parts are used for these two holes

	x7
B	
	x7
C	
	x2
D	
	x1
M	

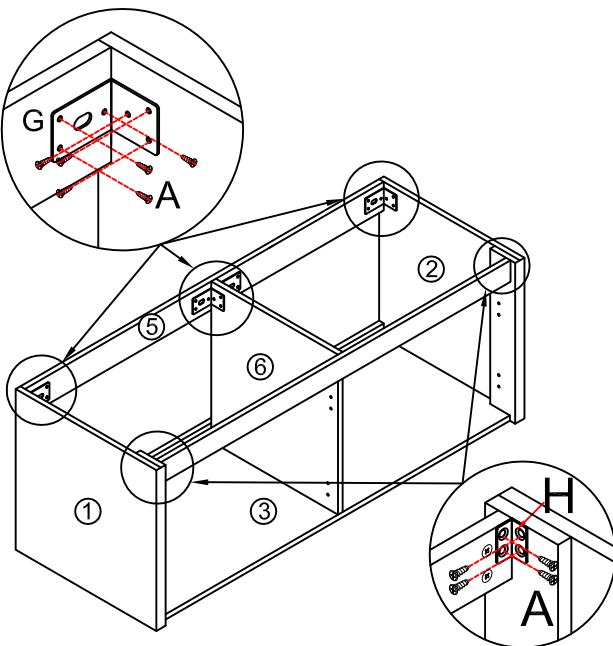
Step 7



You can adjust the doors by tightening or loosening the screws on the hinge. →

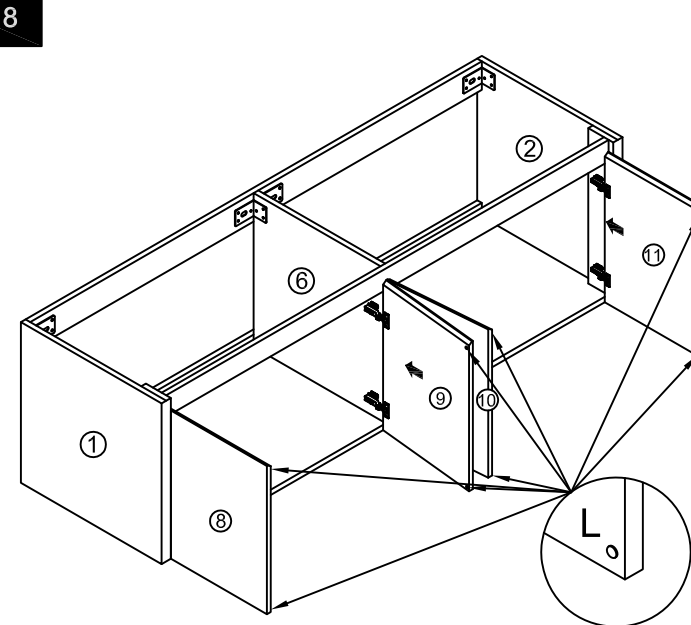
	x4
I	
	x4
J	
($\varnothing 4 \times 14\text{mm}$)	
	x48
A	
Tool	

Step 6



	x4
G	
	x2
H	
($\varnothing 4 \times 14\text{mm}$)	
	x32
A	
Tool	

Step 8



	x8
L	