

End Table

IMPORTANT NOTE

Carefully remove all the parts from the carton and put them individually on a soft cloth to prevent scratches or other damages occurring to the parts.

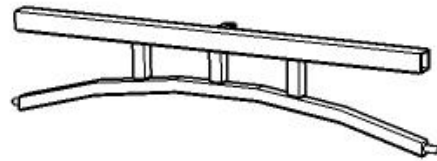
We have taken great care in the design of this product and request that you carefully and strictly follow our assembly instructions to ensure a completed product as it was designed.



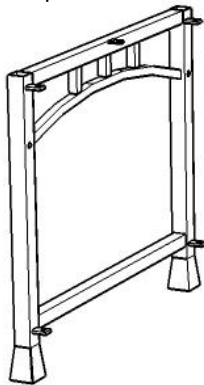
Part List



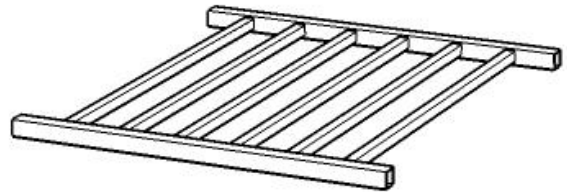
**A.
Cabinet**
1 pc.



**B.
Stretcher**
2 pcs.



**C.
Side Frame**
2 pcs.

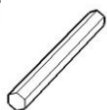


**D.
Shelf**
1 pc.

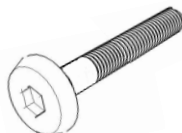
Hardware List



Hex Wrench
1 pc.



**Small
Hex Wrench**
1 pc.



Head Cap Bolt
8 pcs. (+1 extra)



Spring Washer
8 pcs. (+1 extra)



Flat Washer
8 pcs. (+1 extra)



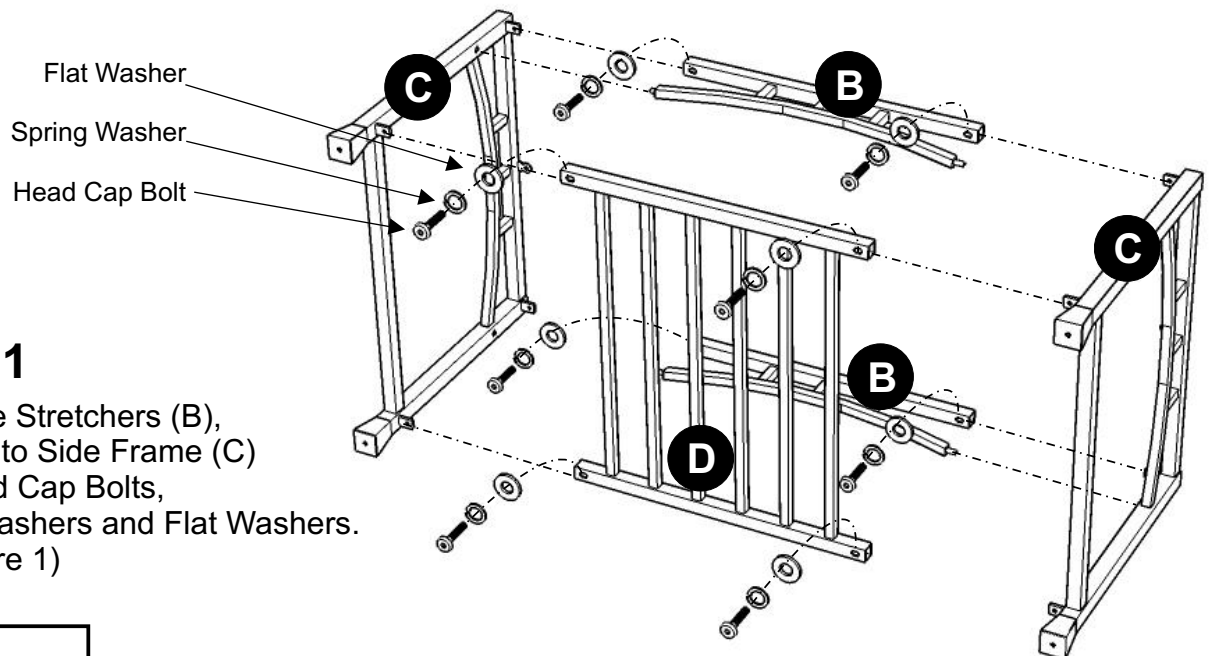
Wood Screw
4 pcs. (+1 extra)

Tools required for assembly : **Phillips** screwdriver

Assembly Instructions 2/3

IMPORTANT

- * Do not tighten up all the screws until each part is properly assembled.
- * You should keep Hex Wrench in a safe place as you may need to tighten up the Head Cap Bolts in the future.
- * Use a soft cloth between these parts and the floor.



STEP 1

Assemble Stretchers (B),
Base (D) to Side Frame (C)
with Head Cap Bolts,
Spring Washers and Flat Washers.
(See figure 1)

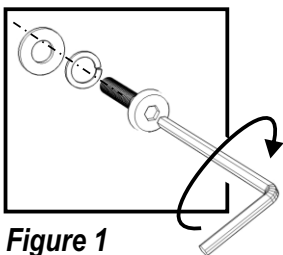
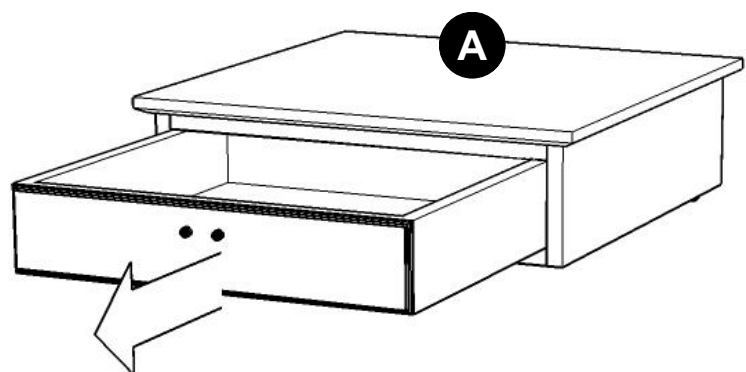


Figure 1

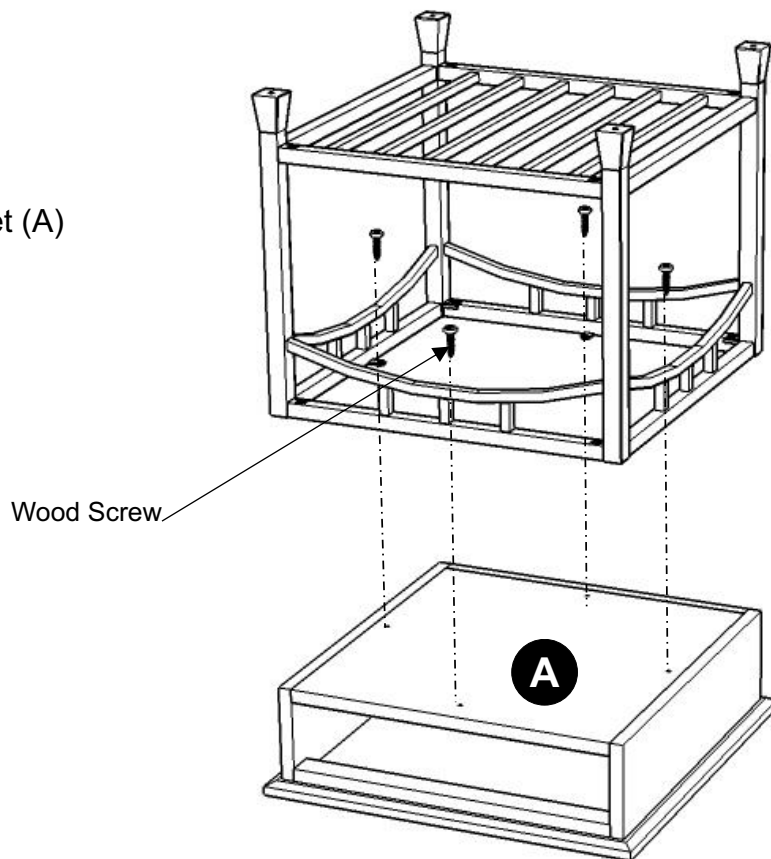


STEP 2

Remove the drawer,
then place Cabinet (A)
upside down on a soft cloth.

STEP 3

Attach unit onto Cabinet (A) with Wood Screws.



STEP 4

Turn the unit over to its' upright position.

Remove the Pull Handle that is installed on the inside of the drawer and re-install it on the outside of the drawer.
(See figure 2)

Slide the drawer into position.

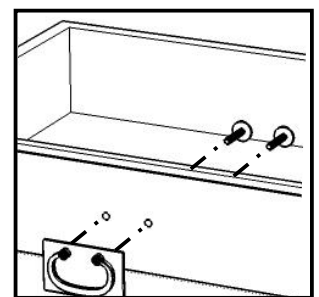
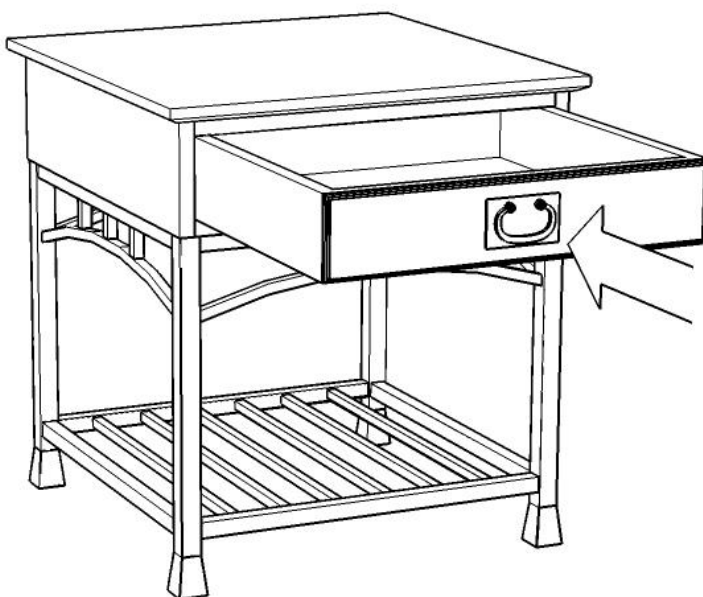


Figure 2