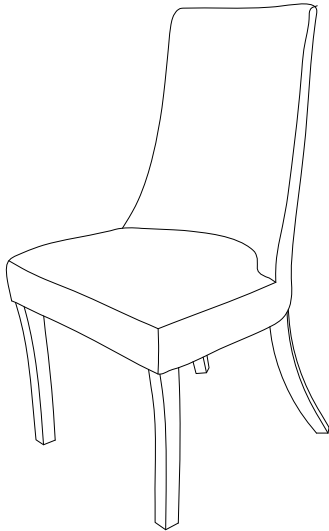


DINING CHAIR






Thank you for purchasing the **DINING CHAIR!**

Before you start, here is some helpful advice:

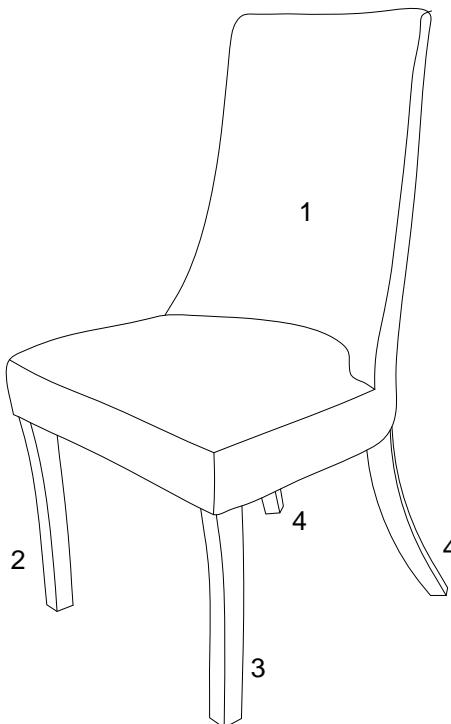
1. We suggest you spend a short time reading through this leaflet and then follow the simple step by step instructions.
2. Owing to the size and weight of the dining chair, we recommend that it is assembled by two adults, on a carpeted or padded area, in the room that it is intended for. Approximate assembly time: 30 minutes.
3. Please do not use any tools other than those provided or recommended in these instructions.
4. Please do not throw away any of the packaging or instructions until you have checked all the components and hardware and the furniture is fully assembled.
5. Assemble all components loosely until advised to tighten. Depending on use, it may be necessary to tighten the components from time to time, so please save the tools that have been provided.
6. Please keep all pieces out of reach of small children.



Hardware:

A		Bolt M8x50mm	x 4
B		Bolt M8x65mm	x 4
C		Spring Washer M8	x 8
D		Flat Washer M8	x 8
E		Allen Wrench	x 1

Component:



1	Chair Body	x1	2	Left Front Leg	x1	3	Right Front Leg	x1	4	Back Leg	x2
---	------------	----	---	----------------	----	---	-----------------	----	---	----------	----

DINING CHAIR

STEP 1:

Please put the **Chair Body (1)** upside down on a carpeted or padded area.

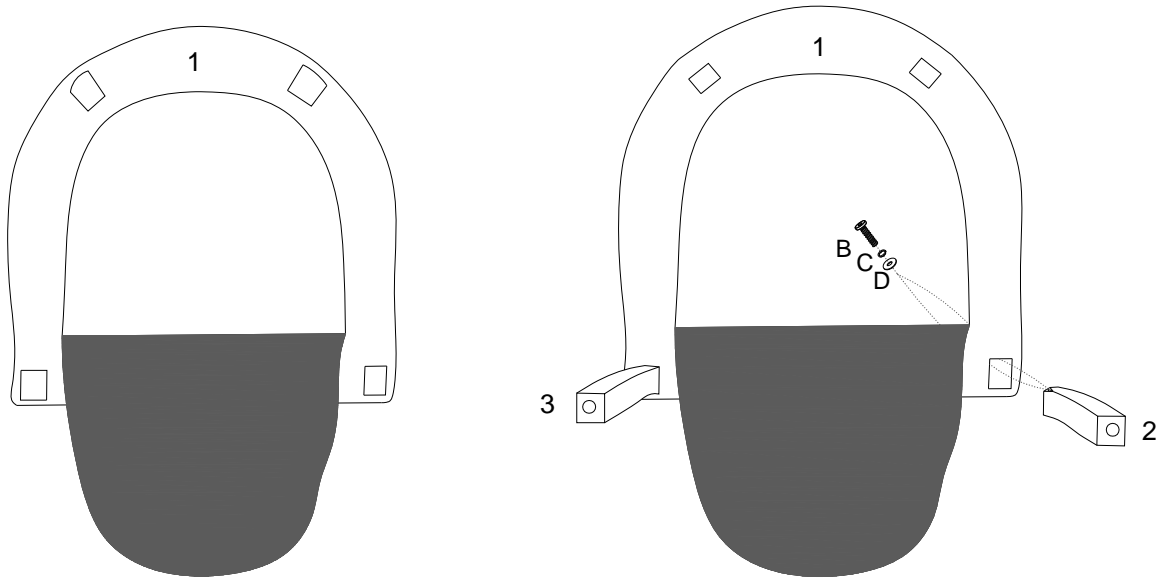
Then open the zipper on the bottom of **Chair Body (1)**, to make the inside of the **Chair Body(1)** fully visible.

Insert the **Left Front Leg (2)** into the right bottom hole on the **Chair Body (1)** as shown.

Attach the **Left Front Leg (2)** by using 2 pieces of **Bolt (B)**, 2 pieces of **Spring Washer (C)** and 2 pieces of **Flat Washer (D)**.

Repeat the same steps for **Right Front Leg (3)**.

Do not fully tighten **Bolts (B)** for either leg.



Bx4	Cx4	Dx4

Hardware & Tool required

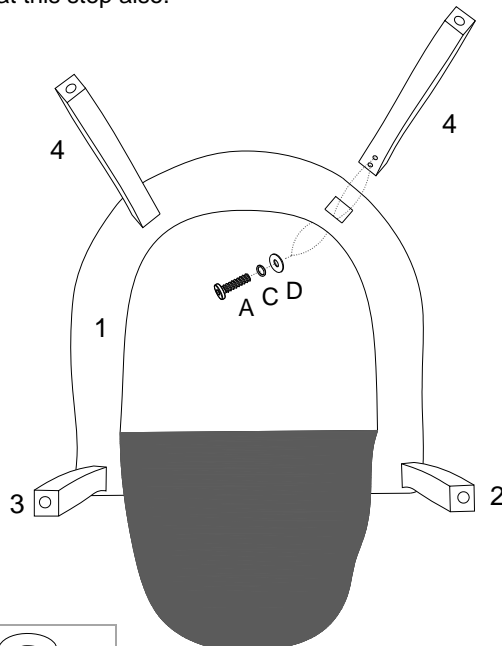
STEP 2:

Insert 1 piece of **Back Leg (4)** into the upper hole on the bottom of **Chair Body (1)** as shown.

Attach them by 2 pieces of **Bolt (A)**, 2 pieces of **Spring Washer (C)** and 2 piece of **Flat Washer (D)** as shown.

Repeat the same steps for the remaining **Back Leg (4)**.

Do not fully tighten **Bolts (A)** for either leg at this step also.



Ax4	Cx4	Dx4

Hardware & Tool required

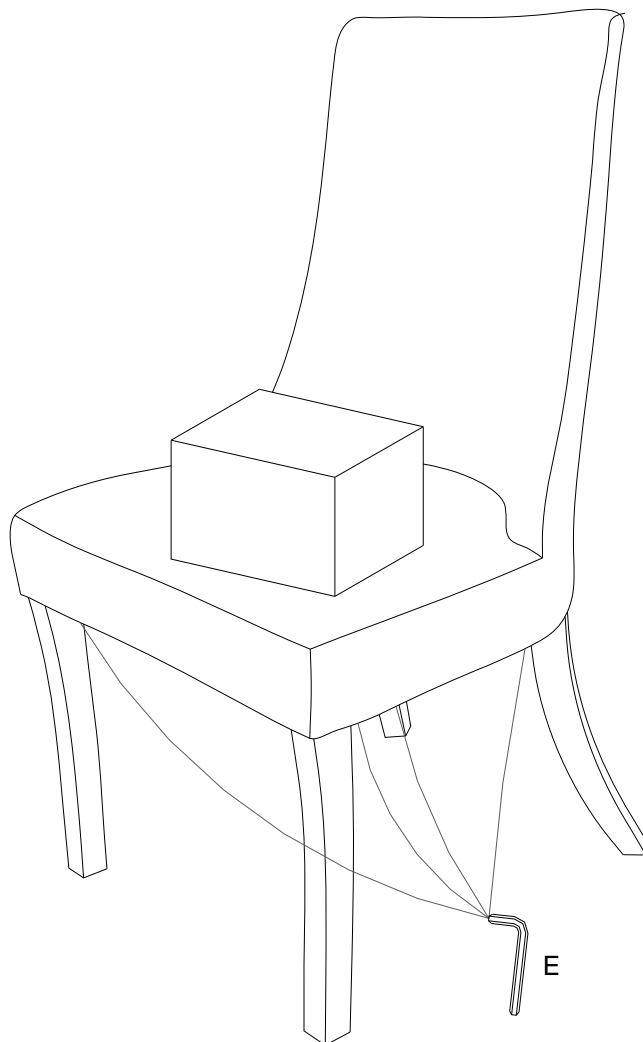
DINING CHAIR

STEP 3:

Carefully turn over the dining chair.

Please put a heavy object or seat one adult on top of the **Seat Frame (2)** to pressure the chair for leveling.

Fully tighten the **Bolts (A&B)** with **Allen Wrench (E)** .



Assembly is completed. The dining chair is ready to use now!

