

INSTALLATION

Product Manual

Version: 520080US-01-25A-PM



IMPORTANT INFORMATION!

please read the entire manual before starting to assemble and/or using this product. follow the manual thoroughly and keep it for further reference.



AVOID SCRATCHES!

In order to avoid scratching this furniture should be assembled on a soft layer- could be a rug.



IMPROVE EFFICIENCY !

Try to find a partner to install with you, which can speed up the installation efficiency and shorten the time.



ANTI-TOPPLE WARNING !

Overturnd furniture can cause serious or fatal crush injuries. To prevent tipping over, be sure to use the wall attachment, if not included with this product. Please purchase the wall attachment that fit your wall. If unsure, seek professional advice. Please read and follow each step of the instructions carefully.

IMPORTANT !

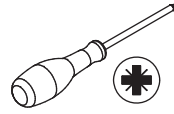
It is important that any product which is assembled using any kind of screw is re-tightened 2 weeks after assembly, and once every 3 months - in order to assure stability through-out the lifespan of the product.

For regular maintenance and cleaning of the product, for the frame, please use a rag dipped in neutral detergent to fully wipe it, and then dry it with a clean rag. For glass materials, wipe with a rag dampened with water glass cleaner, and then dry with a dry rag.

Do not use an electric screwdriver, and do not use too much force when installing, because the board is easy to break.



Please prepare the following tools



When installing, please carefully confirm whether each screw corresponds to the manual, accessories with similar shapes can be distinguished by size

A x 56

Ø12 x 9.5 mm

B x 56

Ø6 x 40 mm

C x 4

Ø10 x 10 mm

D x 4

M3.5 x 35 mm

E x 16

M5 x 40 mm

F x 12

Ø6 x 40 mm

G x 12

M3 x 14 mm

H x 64

M3.5 x 12 mm

J x 8

M3.5 x 16 mm

K x 1

L x 8

12"

M x 6

N x 6

M4 x 20 mm

P x 2

L = 44 mm

Q x 2

45 x 35 mm

R x 1

S x 2

Ø8 x 18 mm

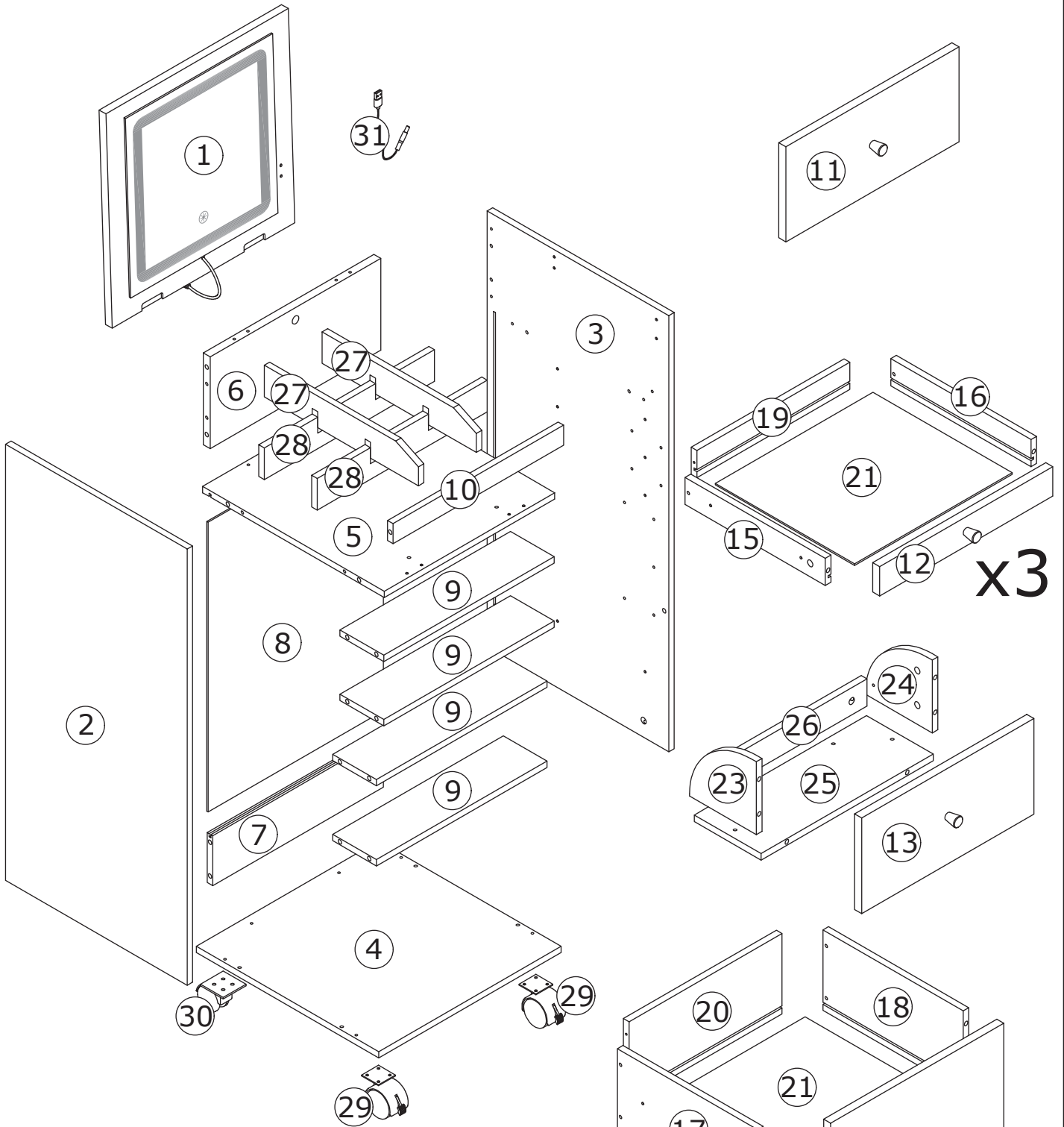
T x 8

U x 16

Ø15 mm

V x 2

X x 1



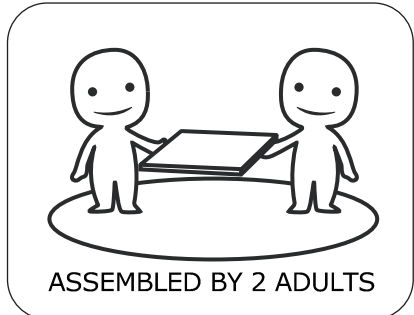
x3

⚠ WARNING

Children have died from furniture tipover. To reduce the risk of furniture tipover:

- ALWAYS install Anti-tip device provided.
- NEVER put a TV on this product.
- NEVER allow children to stand, climb or hang on drawers, doors, or shelves.
- NEVER open more than one drawer at a time.
- Place heaviest items in the lowest drawers.

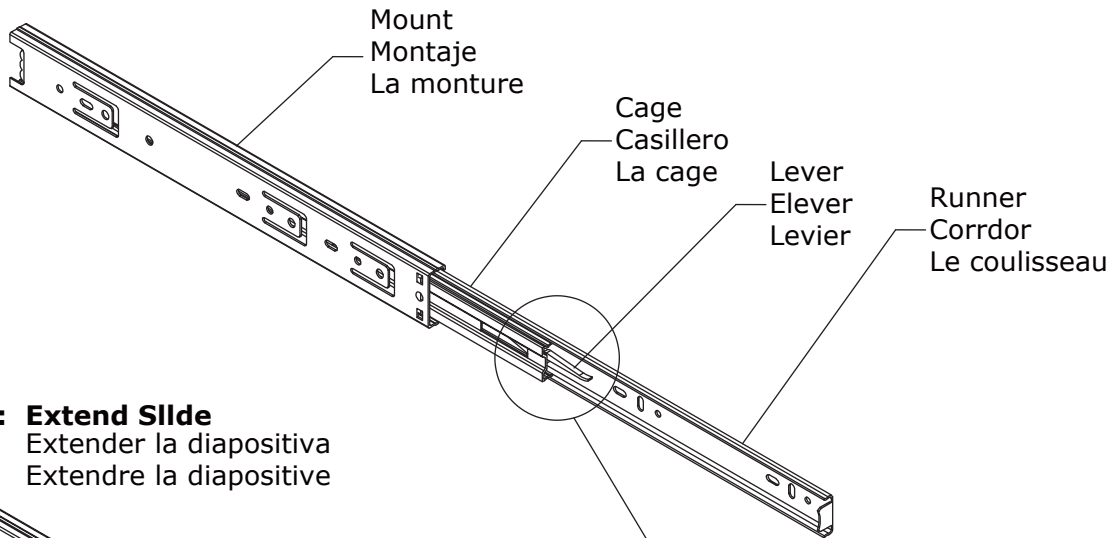
This is a permanent label. Do not remove!



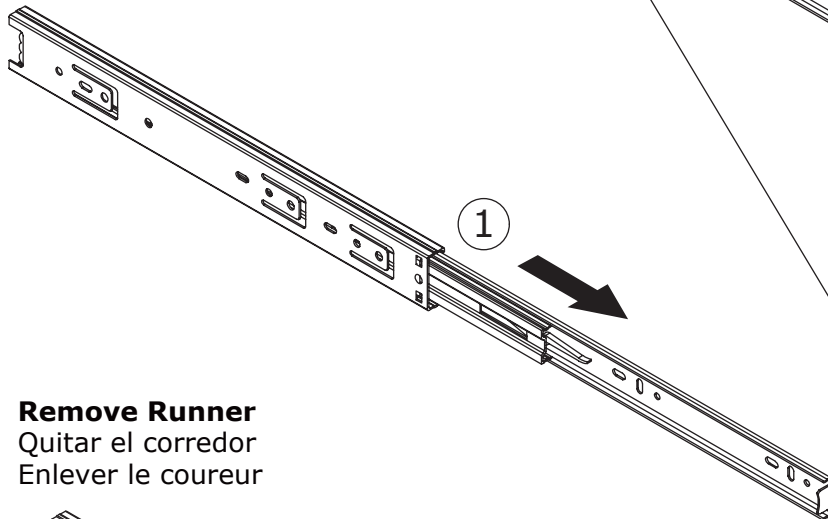
Slides Must Be Separated Before Assembly. After Separated, Set Aside Until Needed for Assembly.

Las diapositivas deben separarse antes del montaje.
Después de la separación, déjelo a un lado hasta que sea necesario.

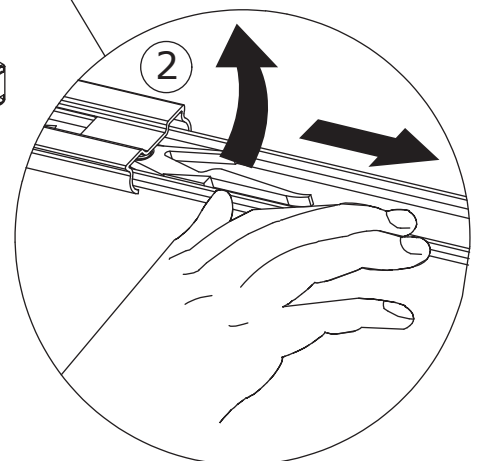
Les glissières doivent être séparées avant l'assemblage.
Après la séparation, mettez de côté jusqu'au moment de l'assemblage.



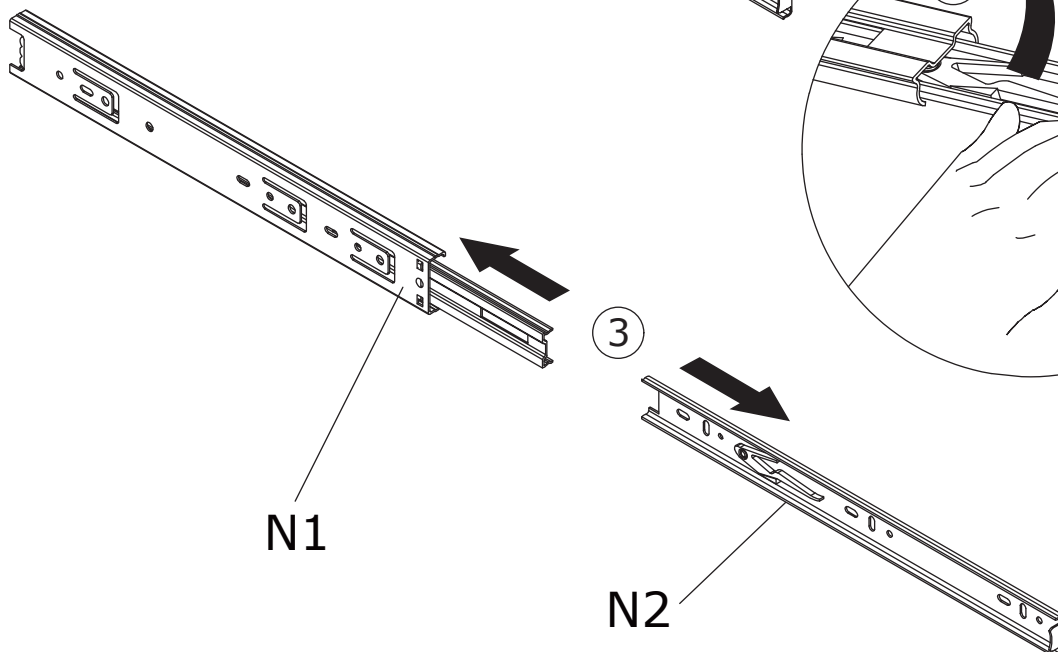
STEP 1: Extend Slide
Extender la diapositiva
Extendre la diapositive



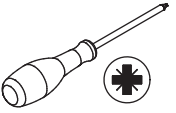
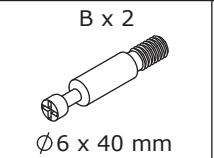
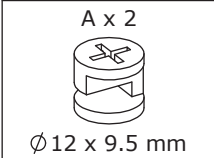
STEP 2: Push Lever UP
Empujar hacia arriba
Lever le levier



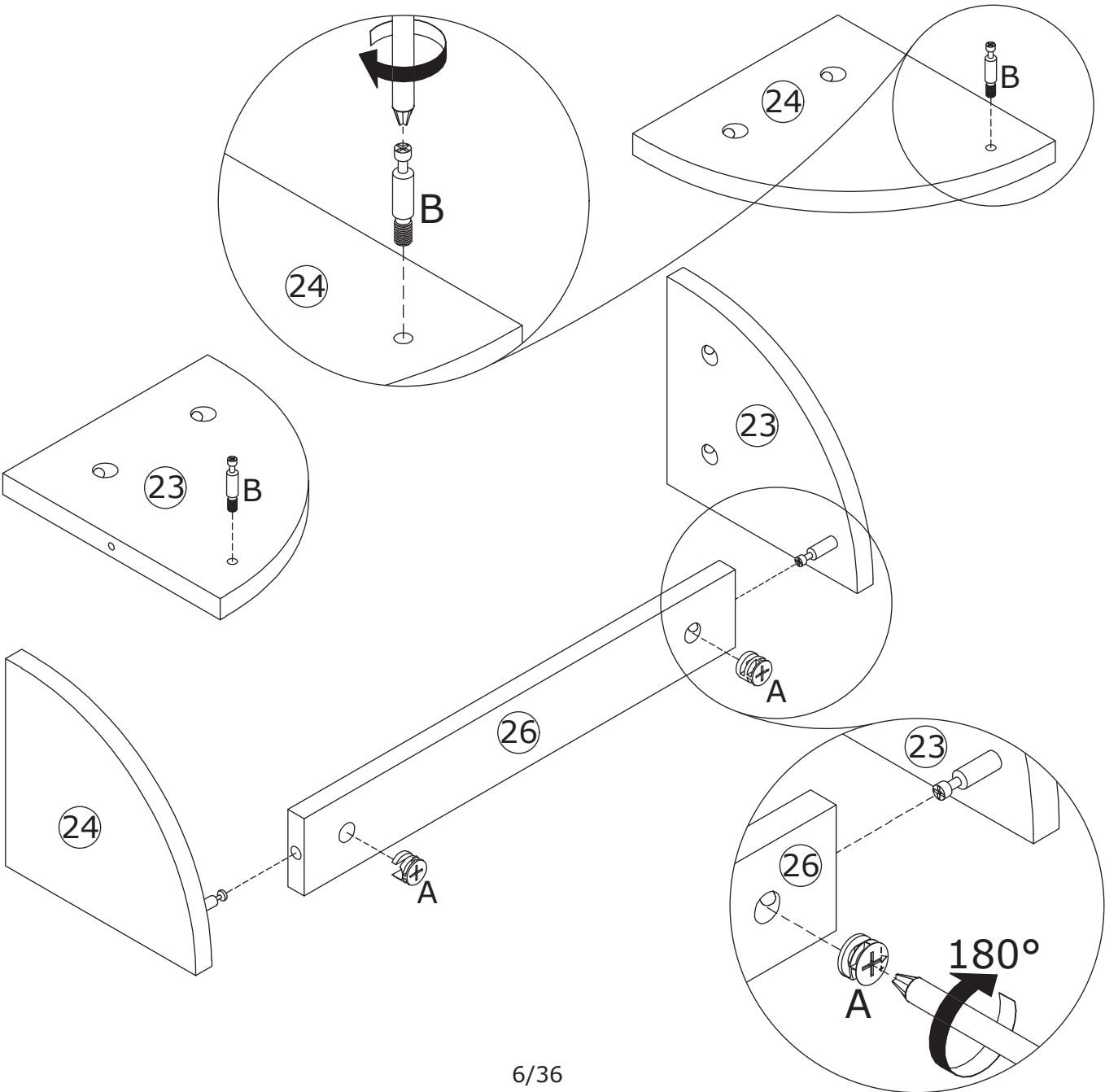
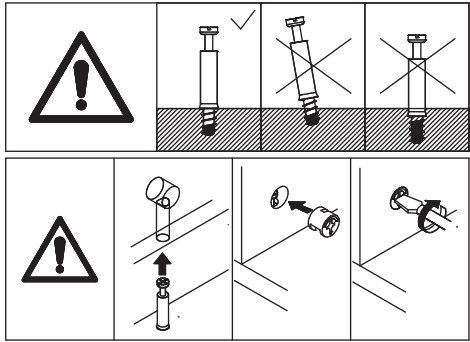
STEP 3: Remove Runner
Quitar el corredor
Enlever le coureur



1



Screw eccentric rod B into plates 23 and 24, connect plate 26 to plates 23 and 24, tighten by rotating cam lock A clockwise.

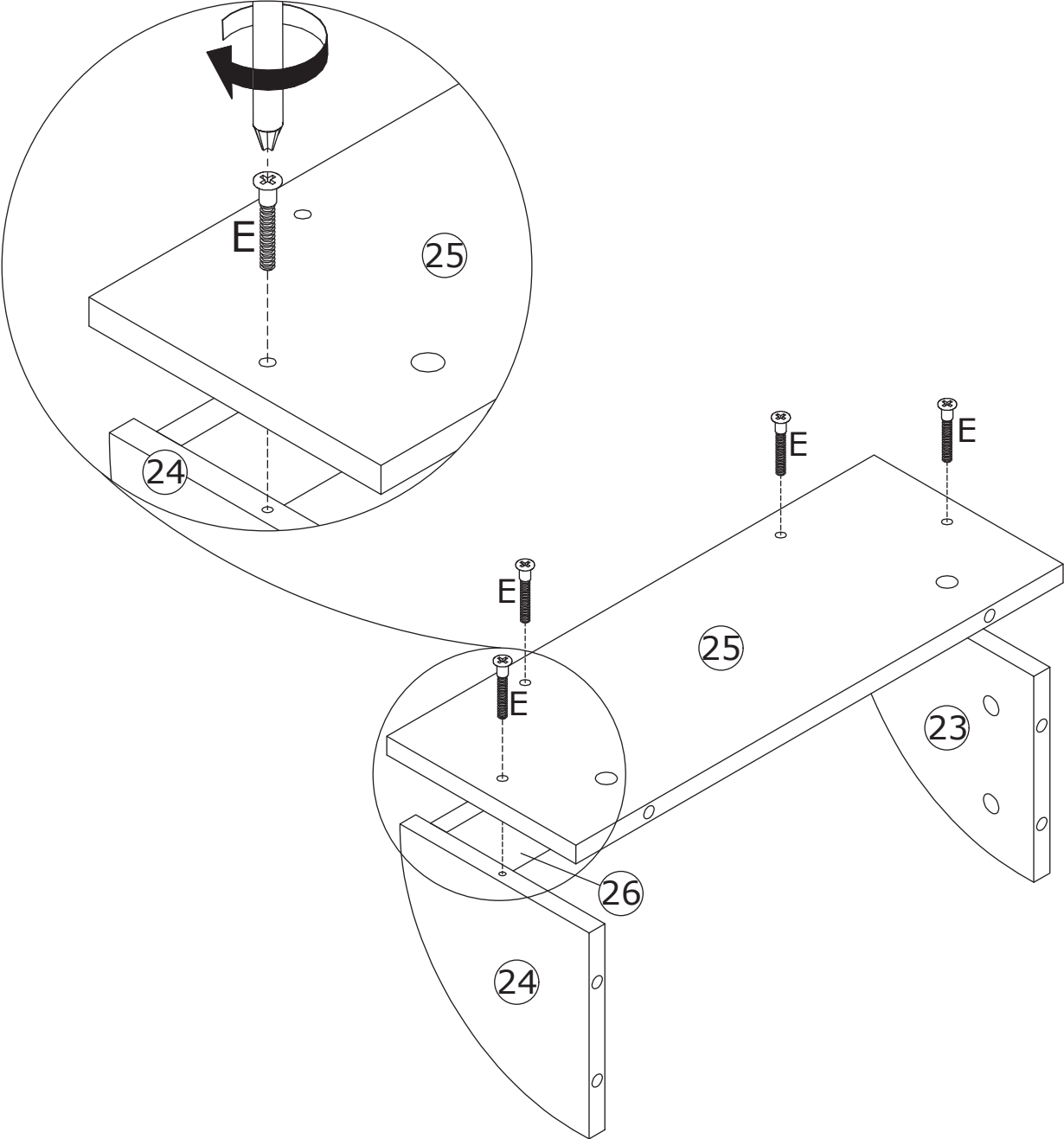


2


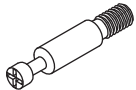

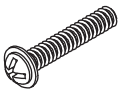
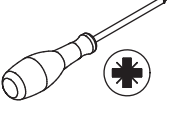
E x 4
M5 x 40 mm

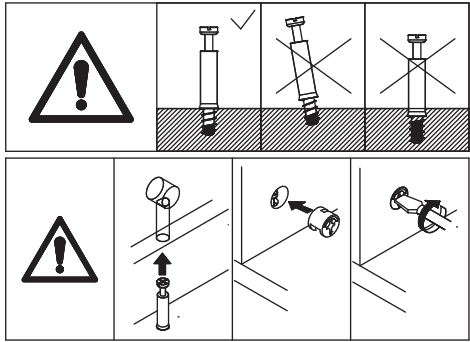


Connect plate 25 to plates 23, 24, and 26 with screw E.

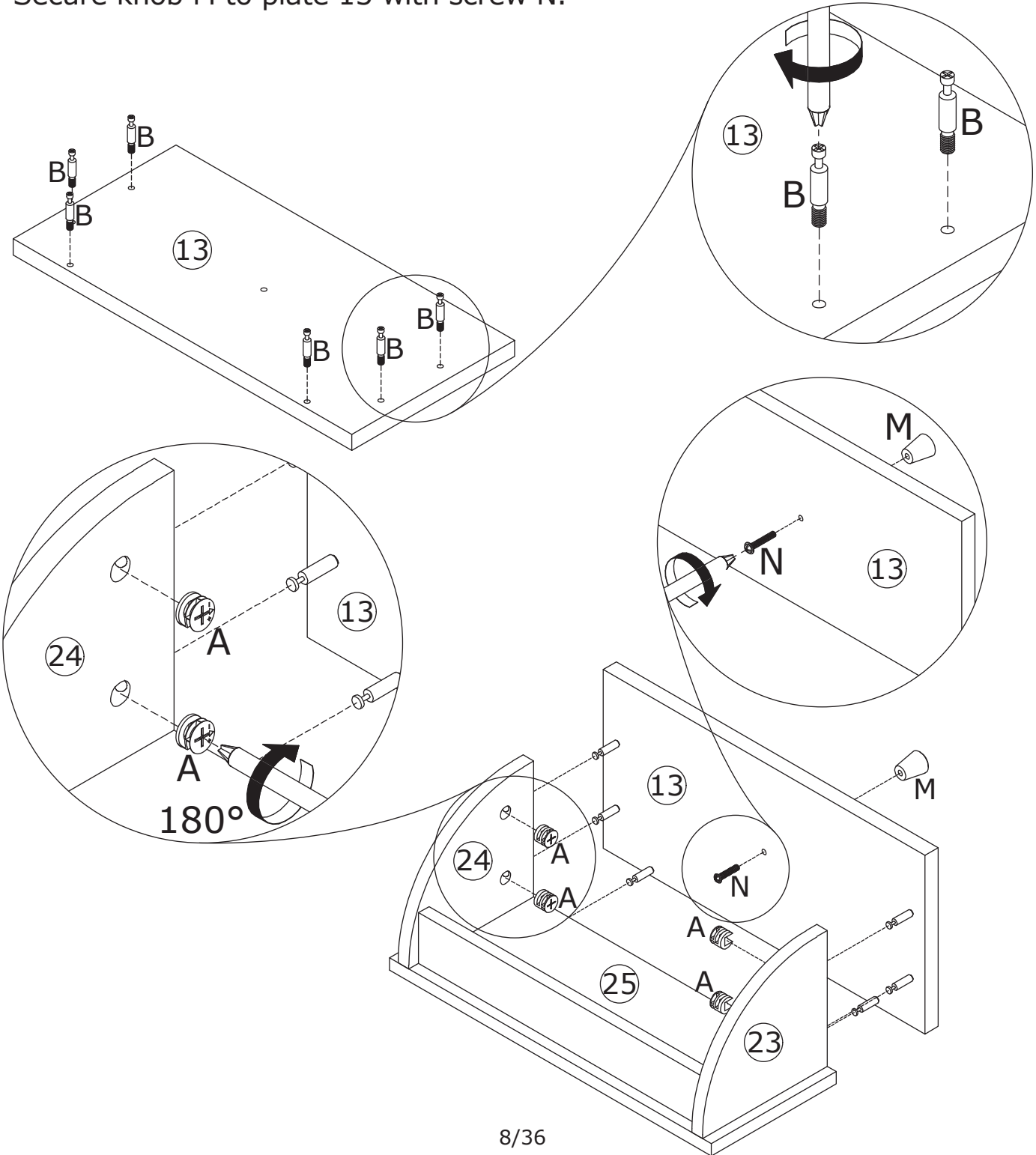


3

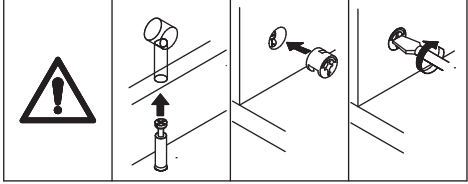
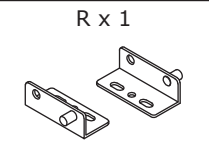
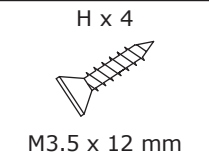
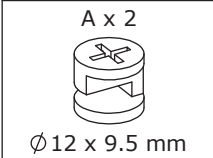
<p>A x 4</p>  <p>Ø12 x 9.5 mm</p>	<p>B x 6</p>  <p>Ø6 x 40 mm</p>	<p>M x 1</p> 	<p>N x 1</p>  <p>M4 x 20 mm</p>	
--	--	--	---	---



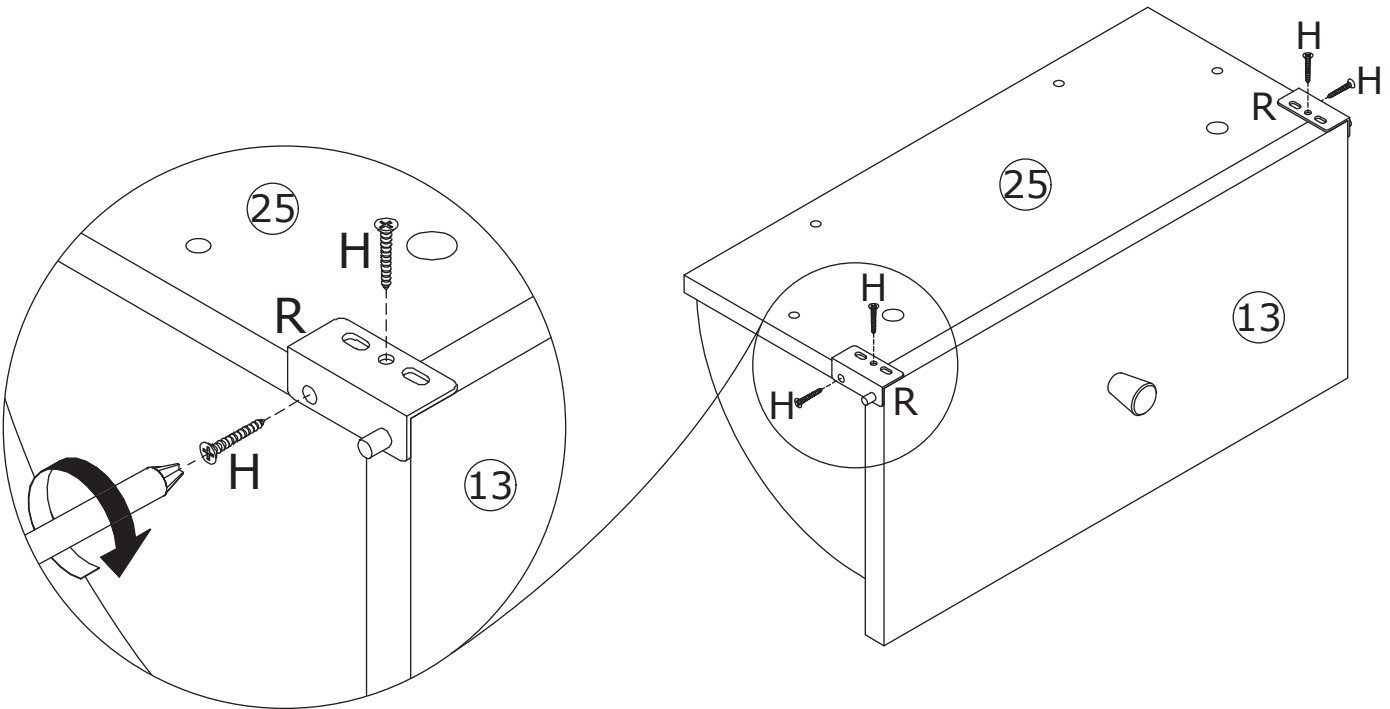
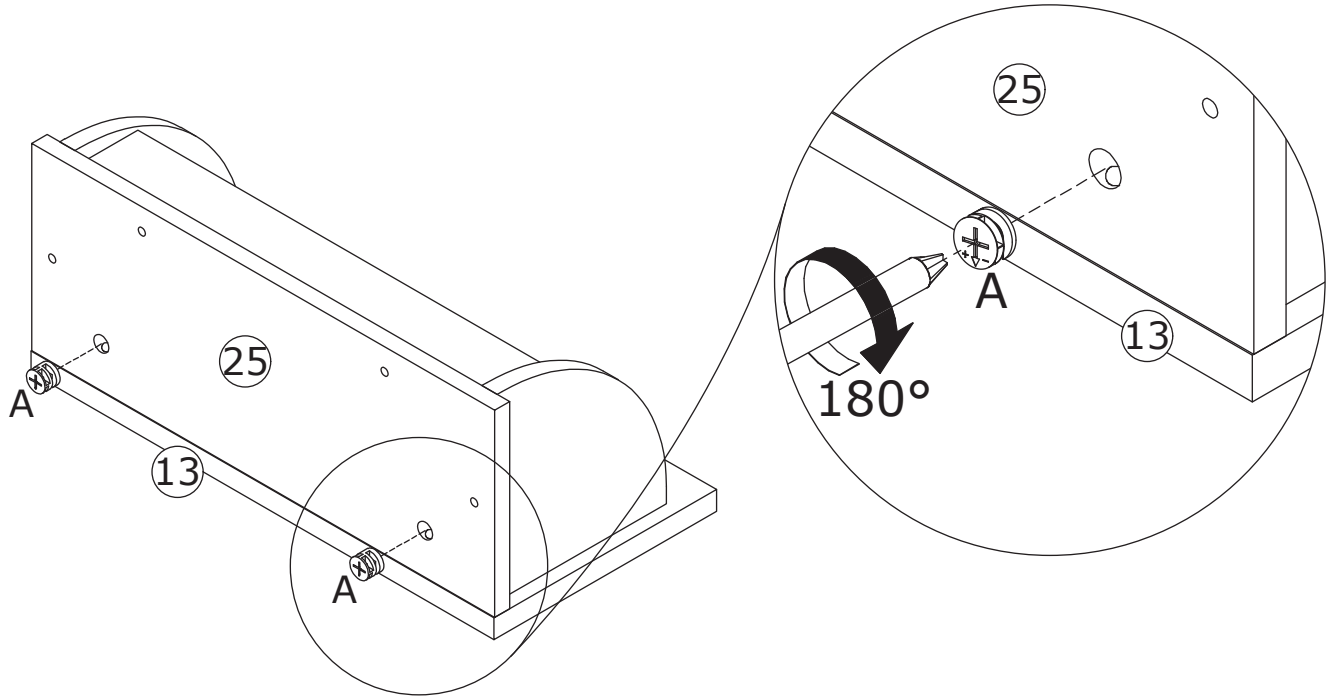
Screw eccentric rod B into plate 13, connect plate 13 to plates 23 and 24, tighten by rotating cam lock A clockwise. Secure knob M to plate 13 with screw N.



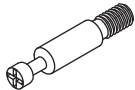
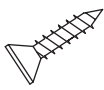



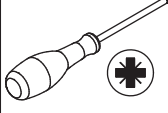
4

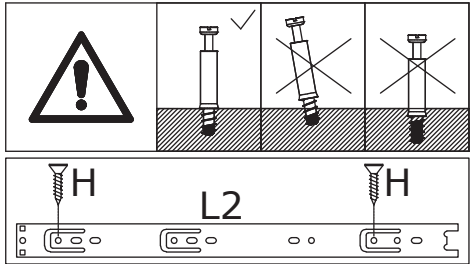


Tighten by rotating cam lock A clockwise, and secure component R to plate 25 with screw H.

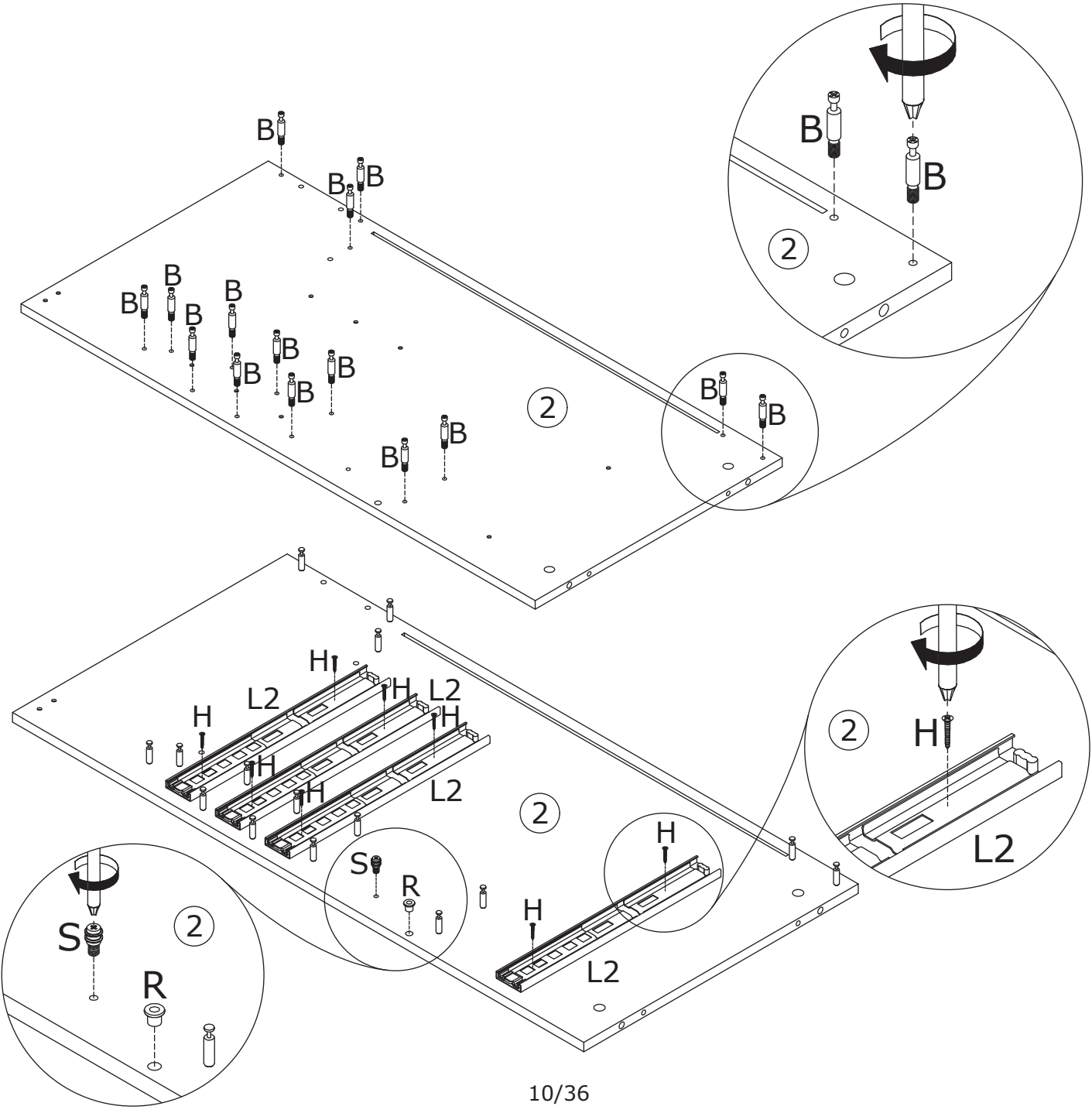


5

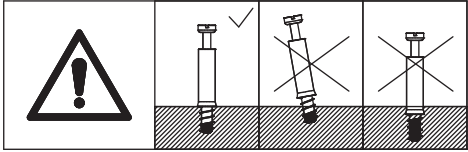
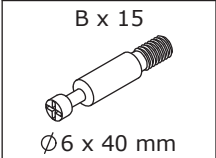
<p>B x 15</p>  <p>Ø6 x 40 mm</p>	<p>H x 8</p>  <p>M3.5 x 12 mm</p>	<p>L x 4</p>  <p>L2 12"</p>	<p>R x 1</p> 	<p>S x 1</p>  <p>Ø8 x 18 mm</p>	
---	--	--	---	--	---



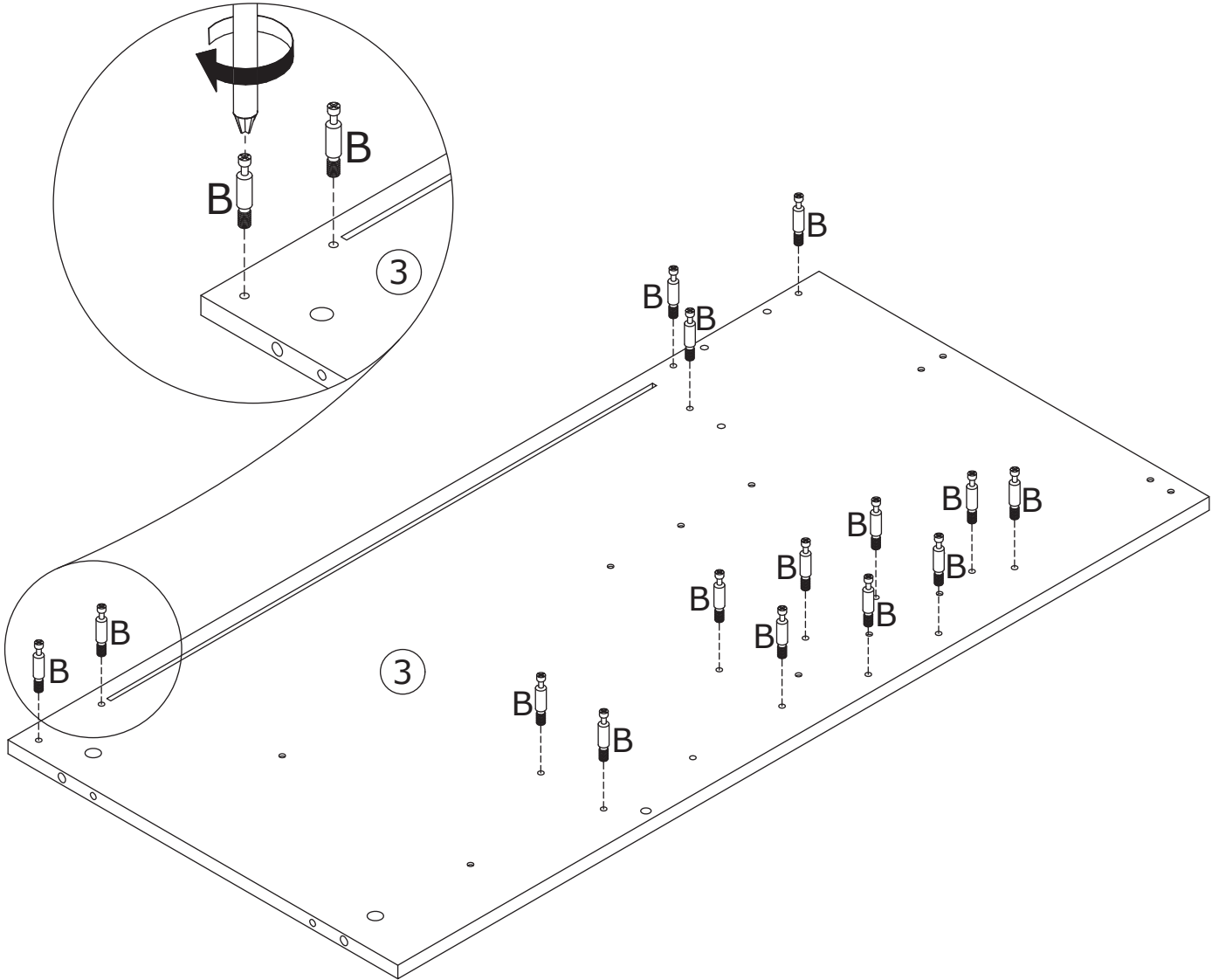
Screw eccentric rod B into plate 2.
Secure guide rail L2 to plate 2 with screw H.
Secure parts S and R to plate 2.



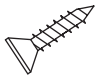
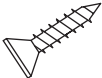
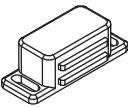


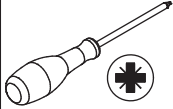


6



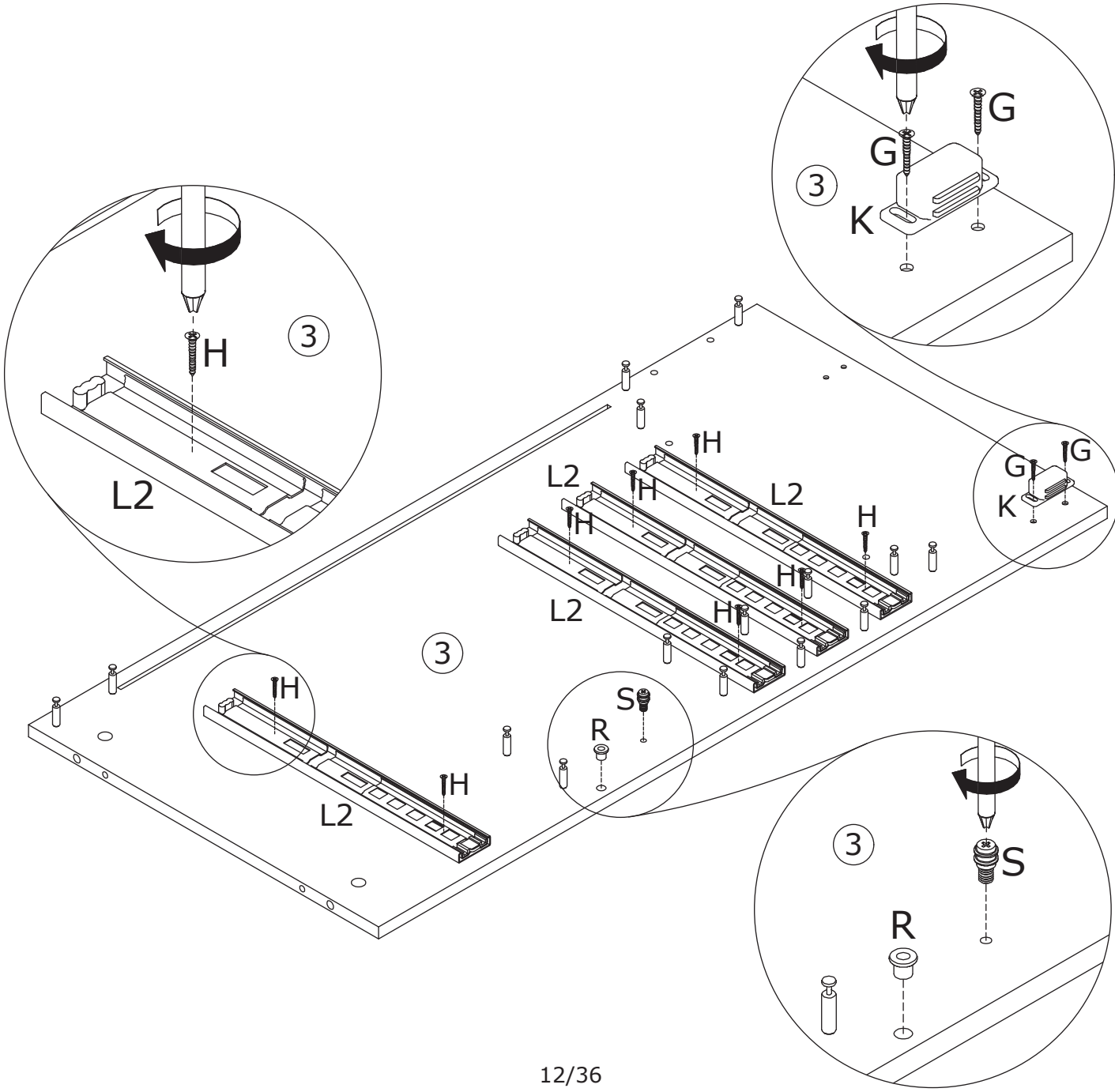
Screw eccentric rod B into plate 3.



7

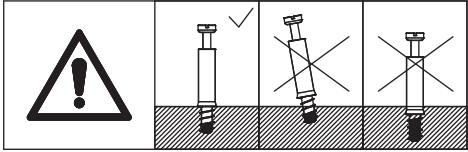
<p>G x 2 M3 x 14 mm</p> 	<p>H x 8 M3.5 x 12 mm</p> 	<p>K x 1</p> 	<p>L x 4 L2 12"</p> 	<p>R x 1</p> 	
<p>S x 1 Ø8 x 18 mm</p> 					

Secure guide rail L2 to plate 3 with screw H.
Secure parts S and R to plate 3.
Secure knob K to plate 3 with screw G.

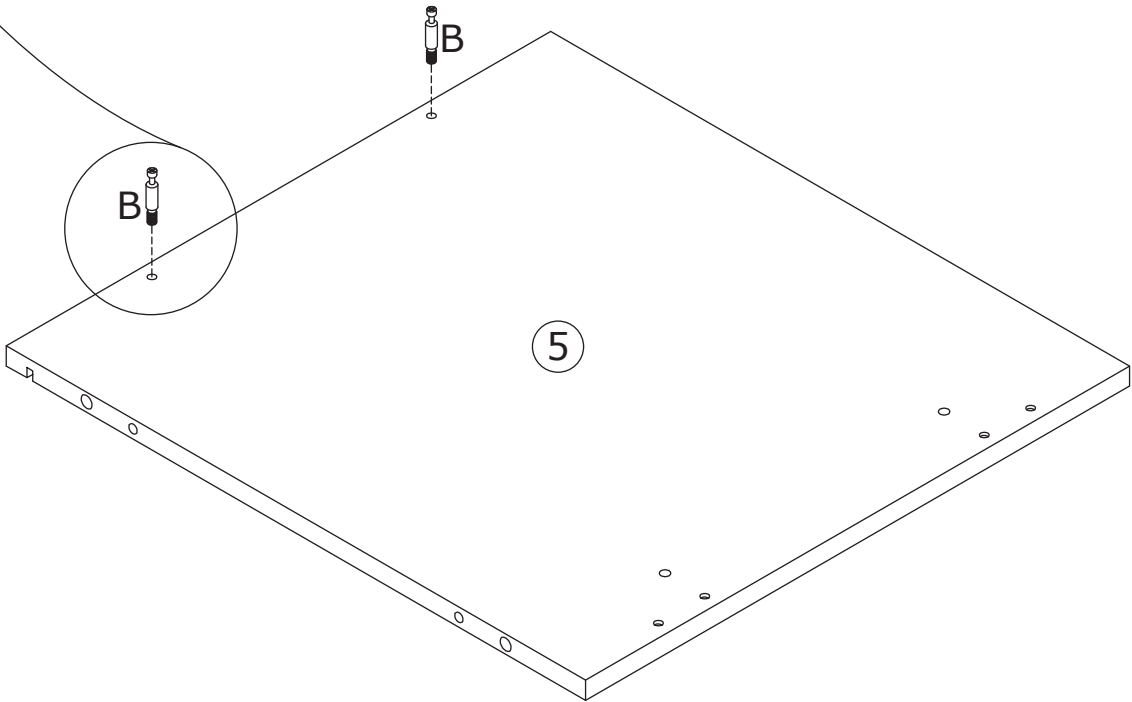
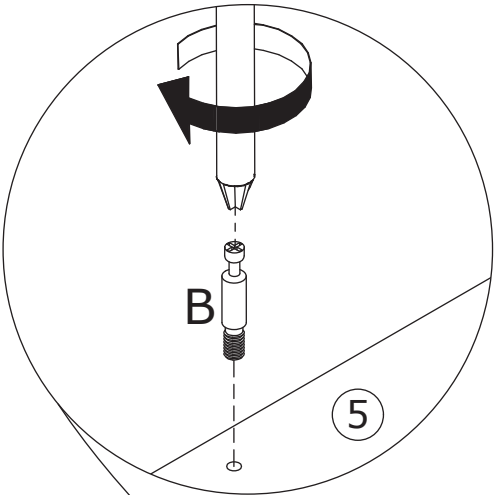


8

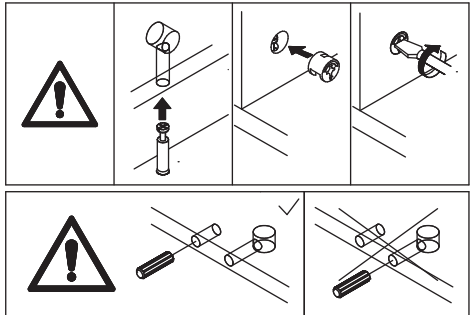
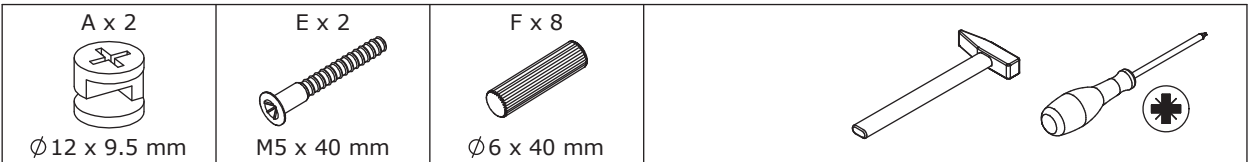
B x 2
Ø6 x 40 mm



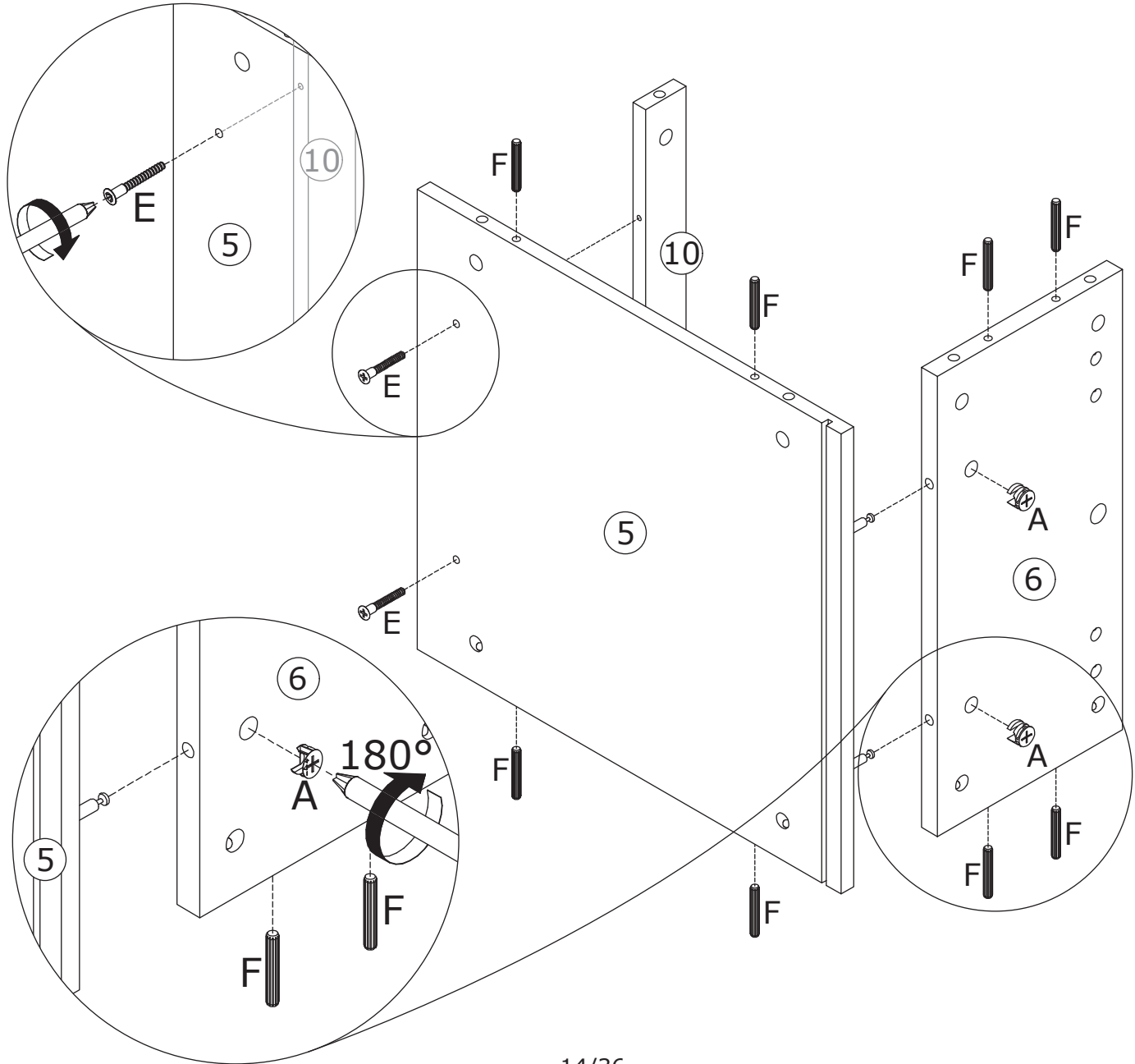
Screw eccentric rod B into plate 5.



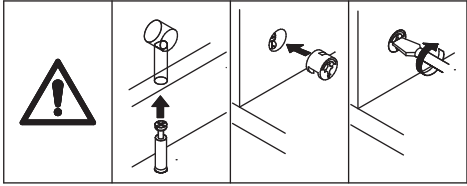
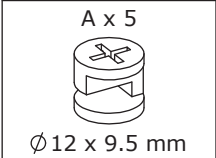
9



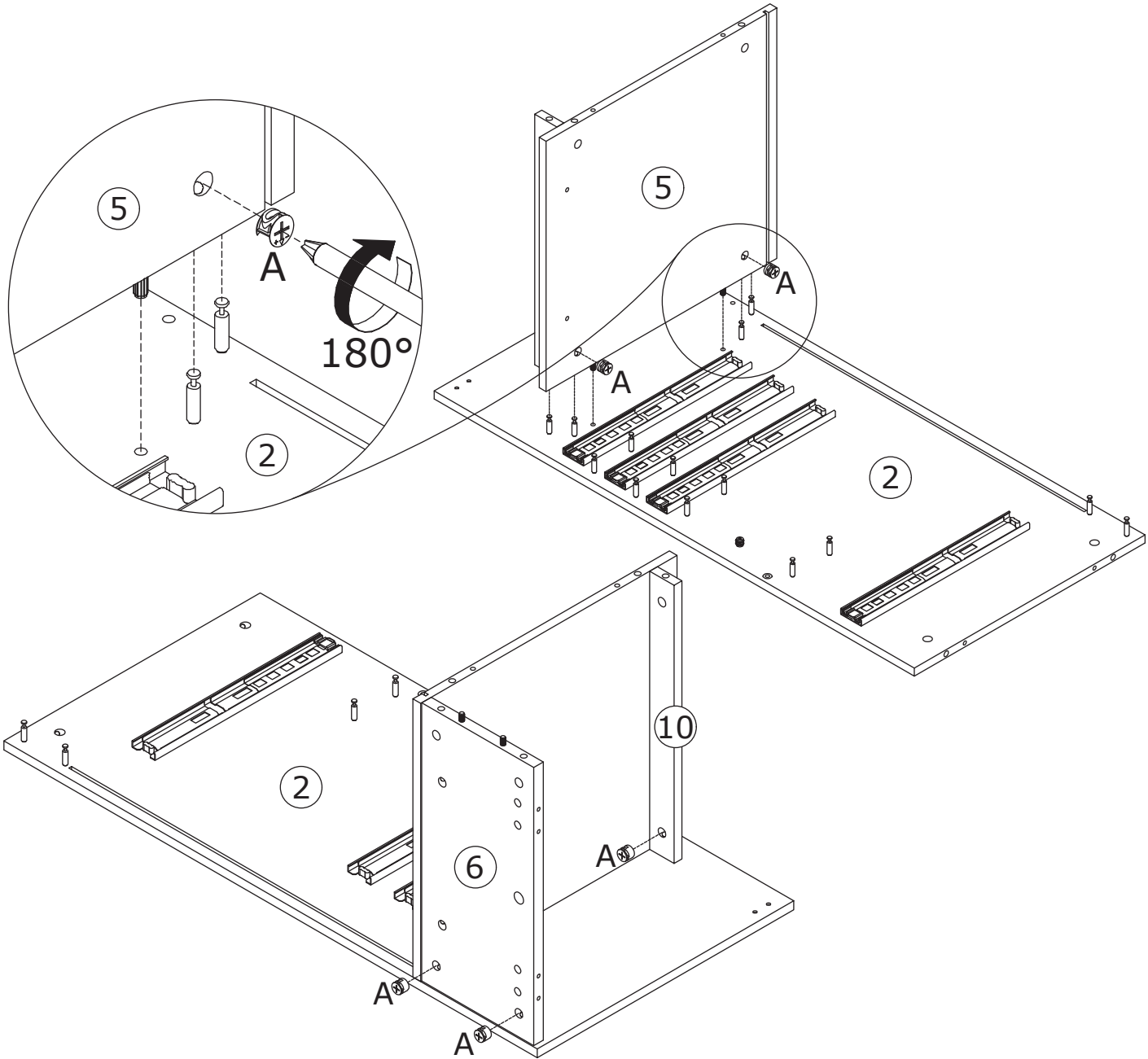
Connect plate 5 to plate 10 with screw E.
Connect plate 5 to plate 6, tighten by
rotating cam lock A clockwise.
Insert dowel F to plates 5 and 6.



10

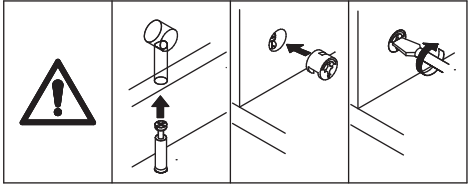


Connect plates 5, 6 and 10 to plate 2 and tighten by rotating cam lock A clockwise.

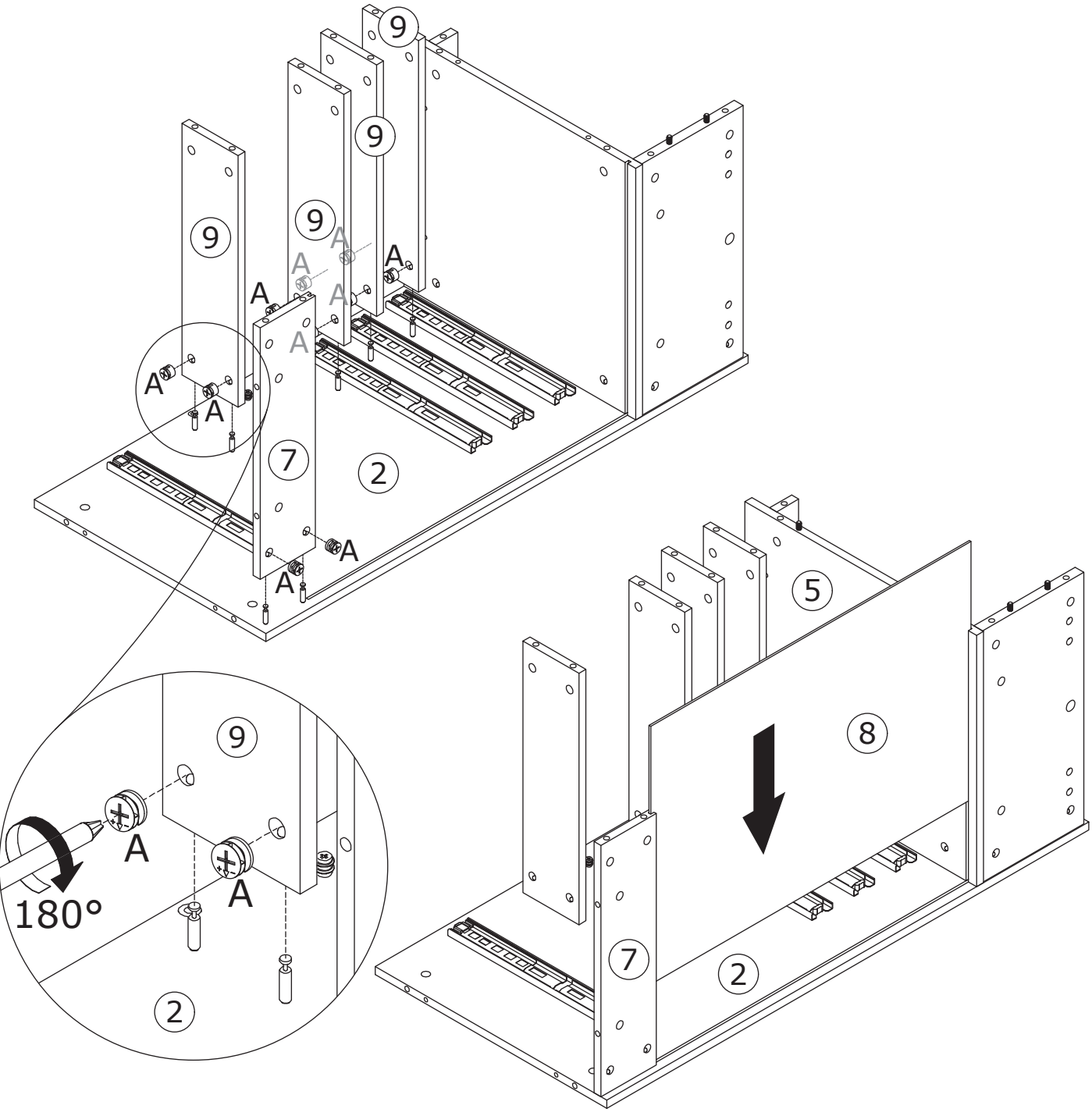


11

A x 10
Ø12 x 9.5 mm

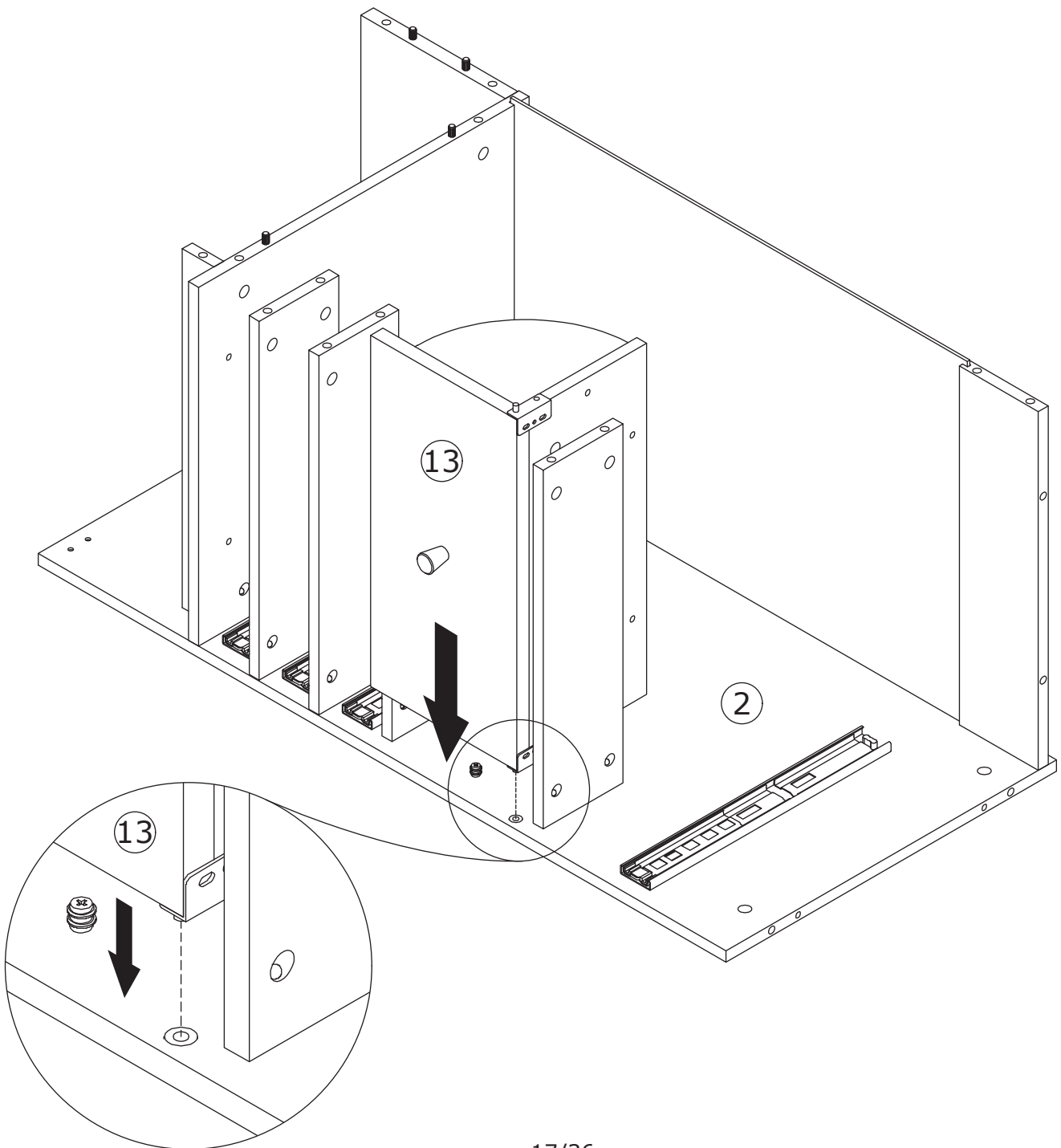


Connect plate 2 to plates 7 and 9, tighten by rotating cam lock A clockwise.
Insert plate 8 into the slots.

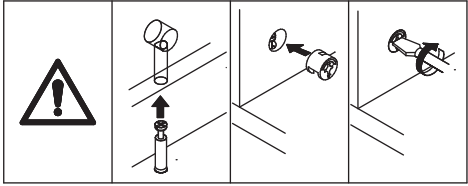
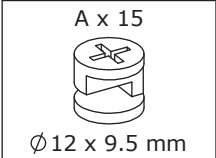


12

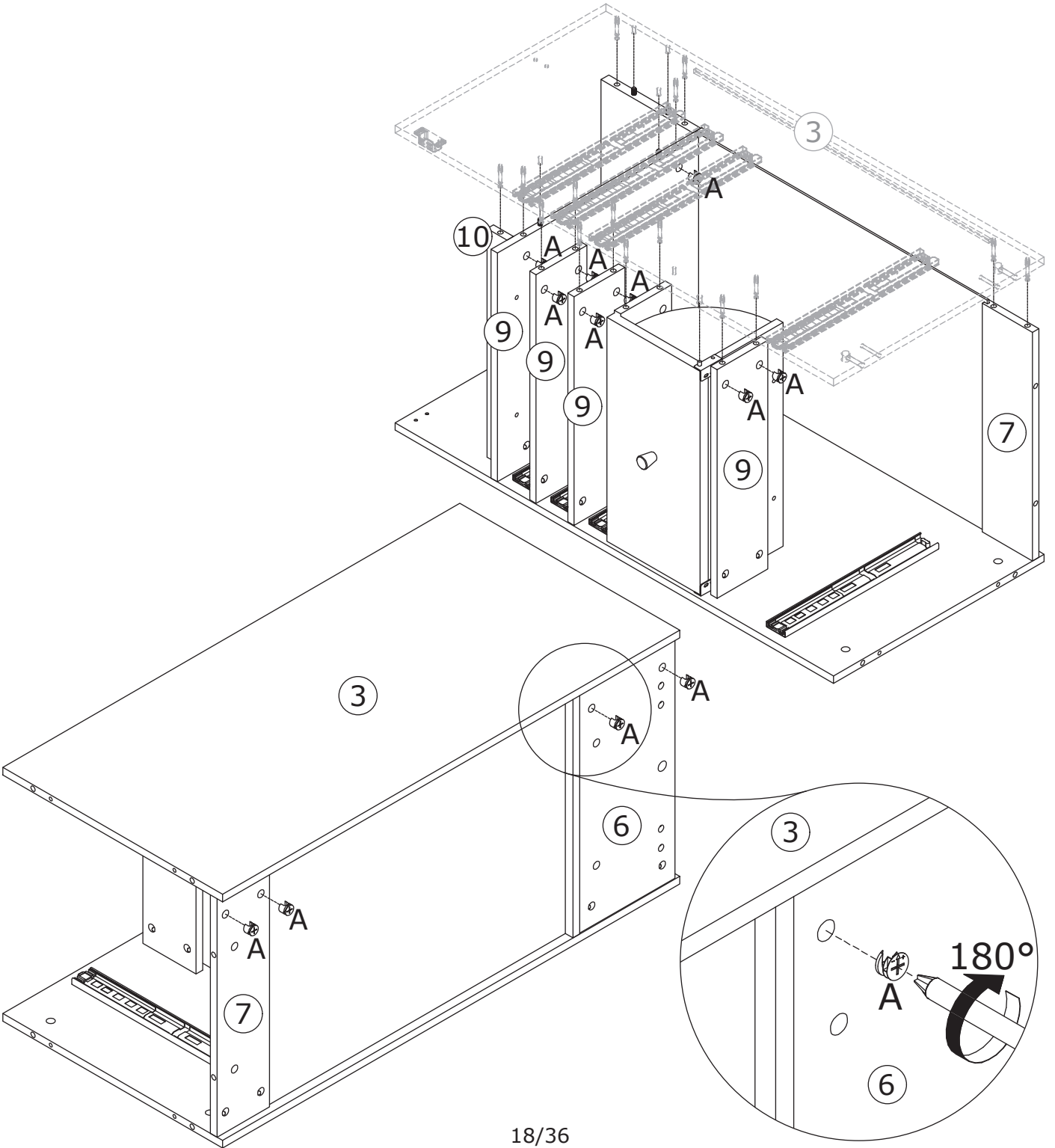
Connect plate 13 to plate 2.



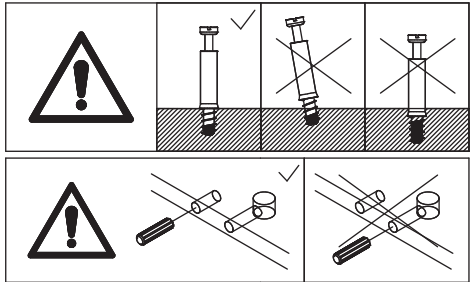
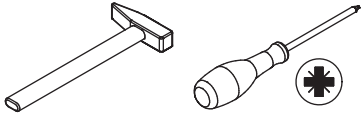
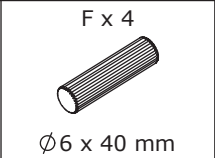
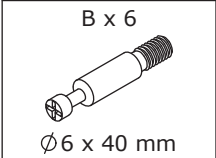
13



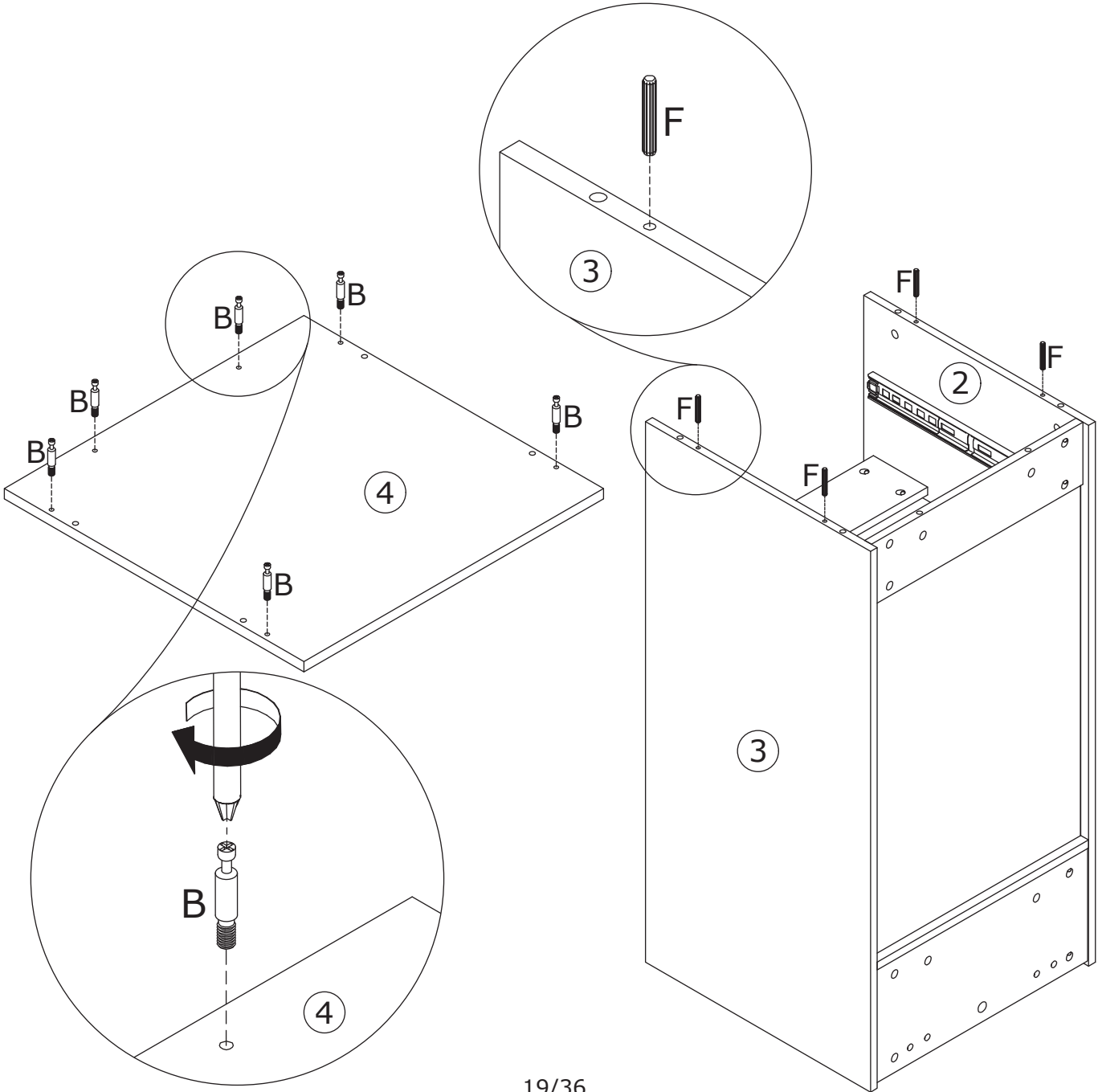
Connect plate 3 to plates 5, 6, 7, 9, and 13, tighten by rotating cam lock A clockwise. Rotate the cabinet body 180°, then tighten by rotating cam lock A clockwise.



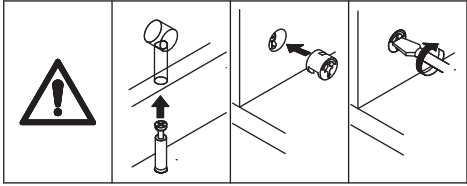
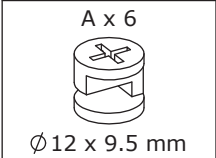
14



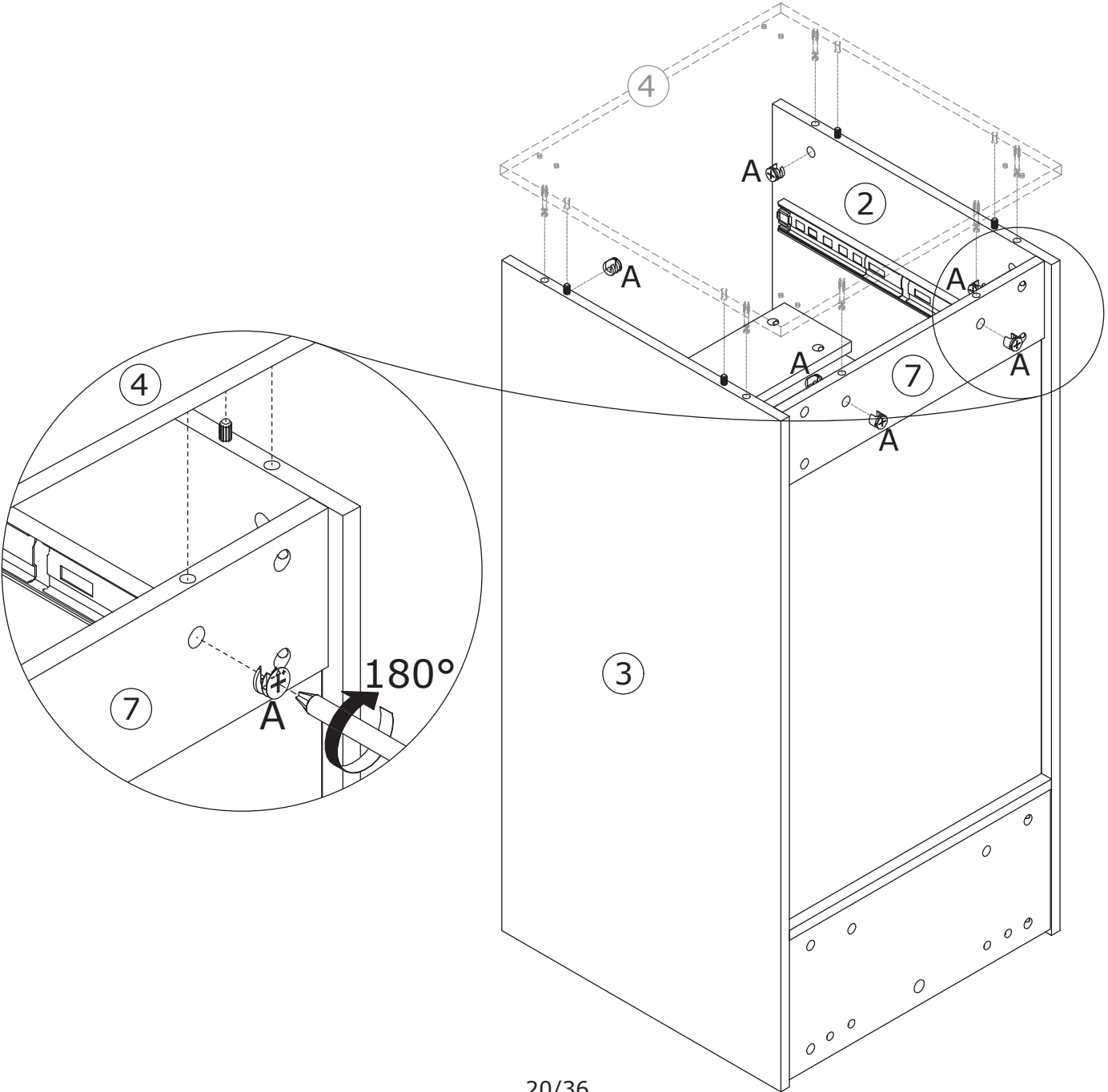
Screw eccentric rod B into plate 4.
Insert dowel F to plates 2 and 3.



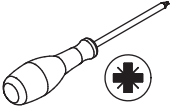
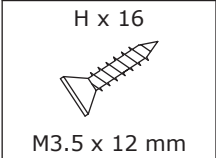
15



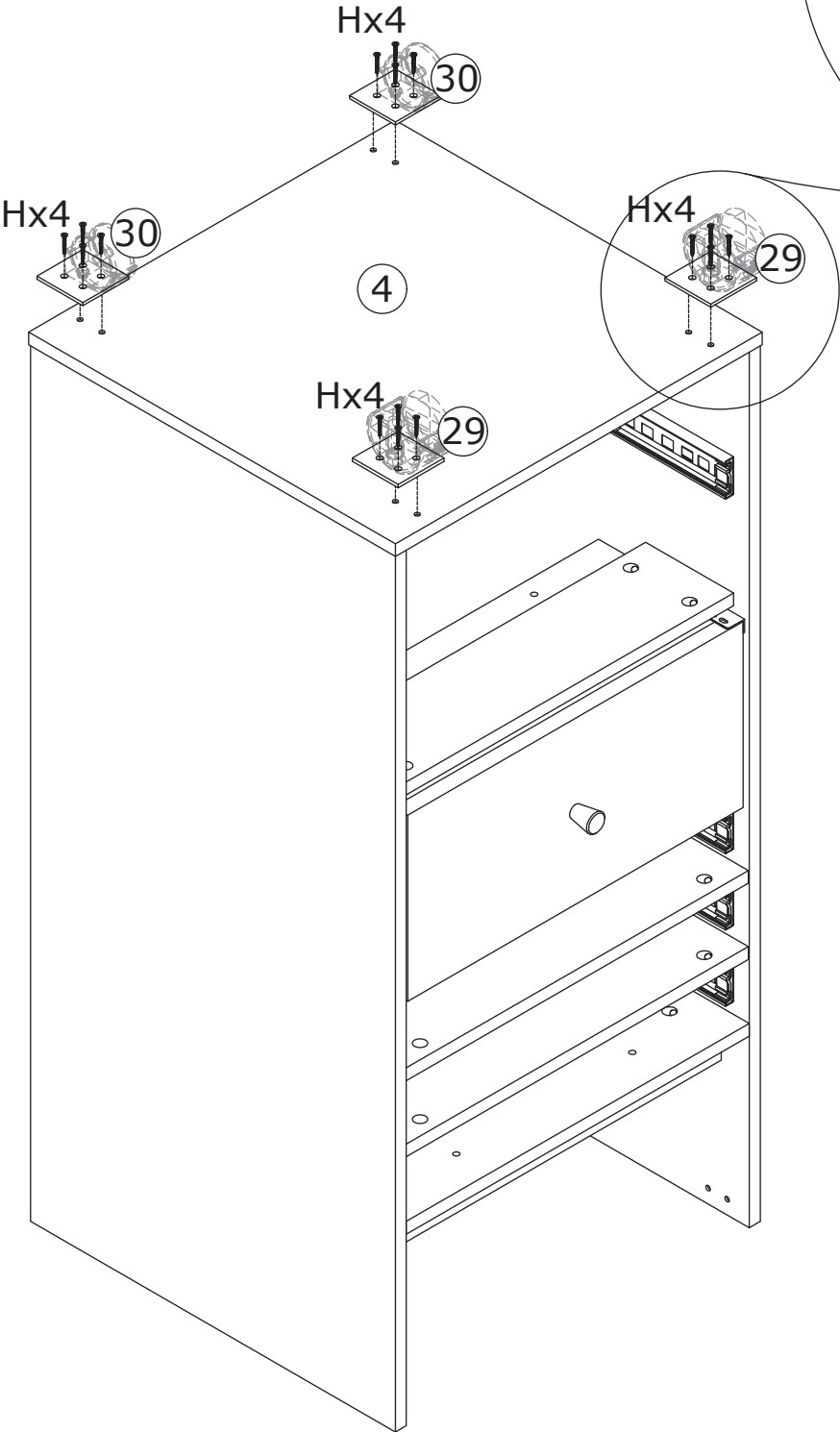
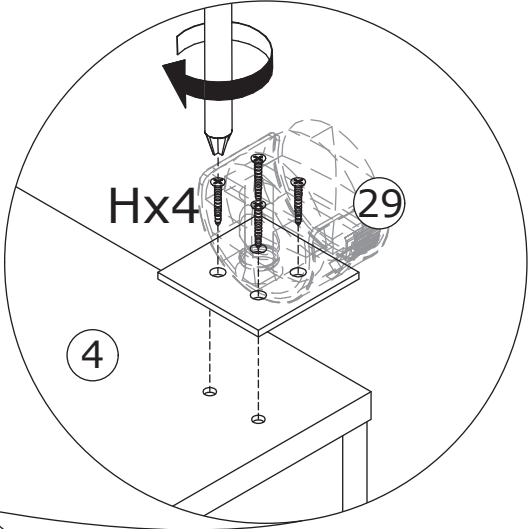
Connect plate 4 to plates 2, 3, and 7,
tighten by rotating cam lock A
clockwise.



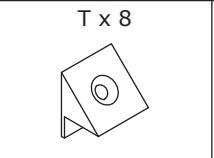
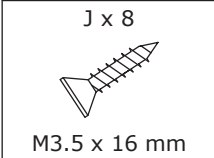
16



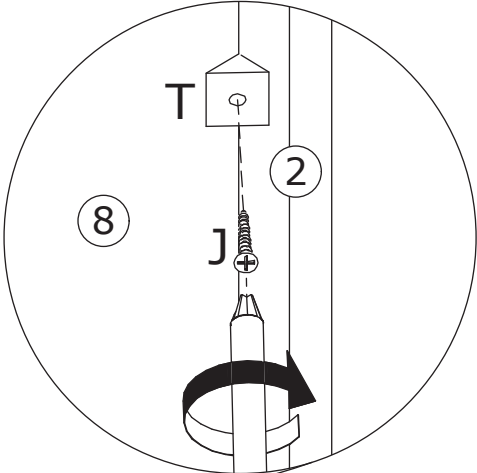
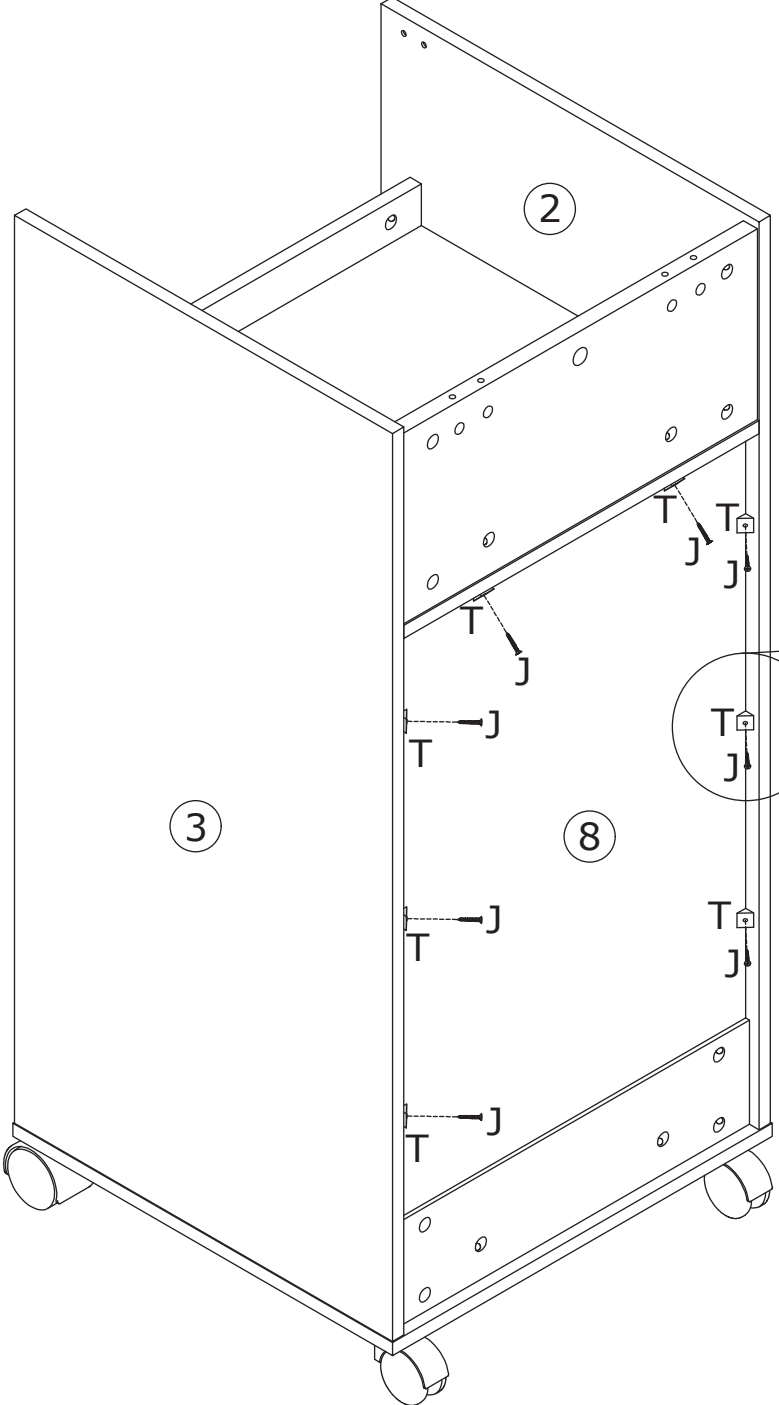
Secure component 29 to plate 4 with screw H.



17

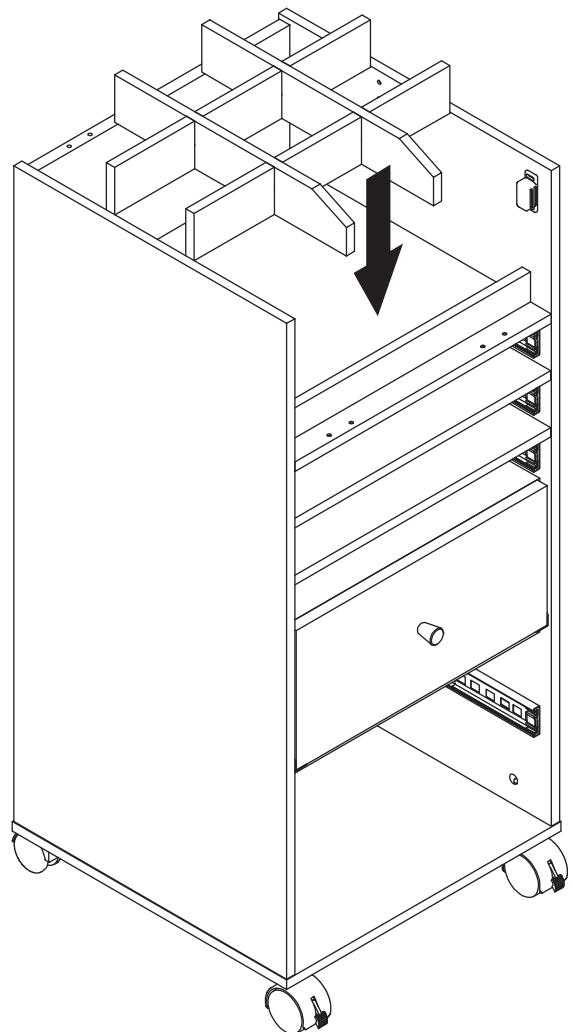
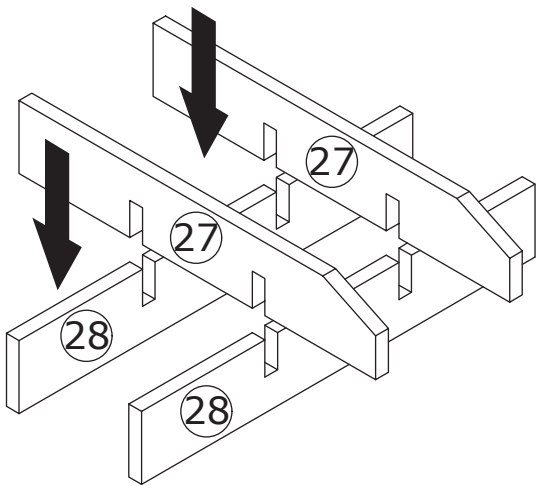


Insert buckle T into back slots and secure with screw J.

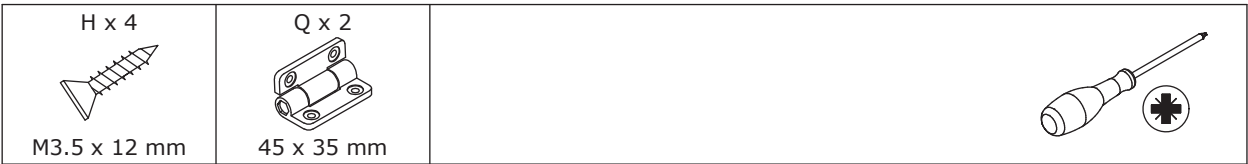


18

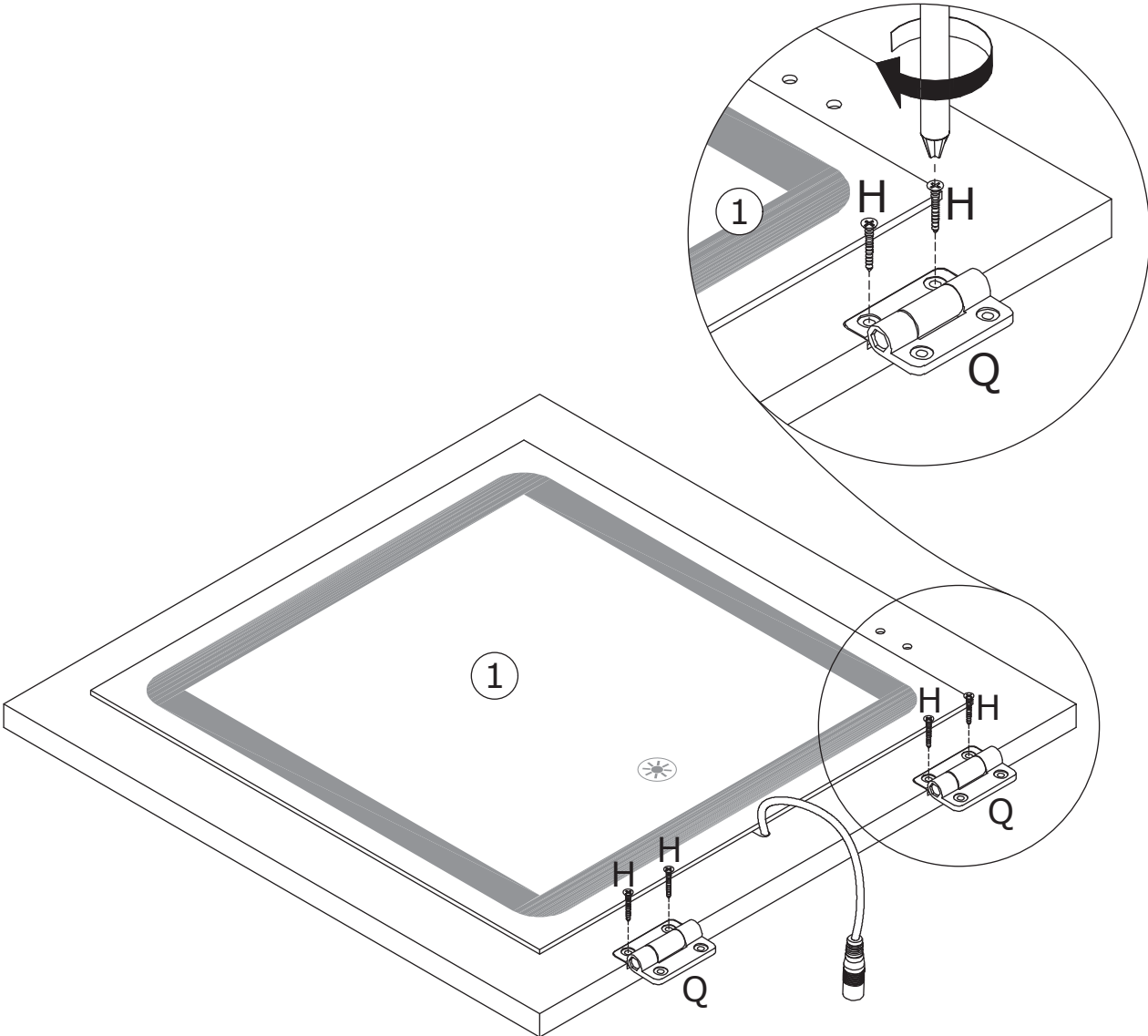
Connect plates 27 and 28 and place them on plate 5.



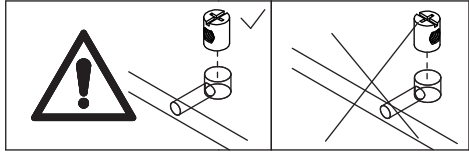
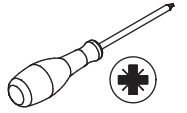
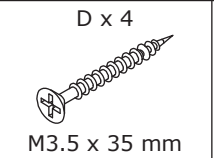
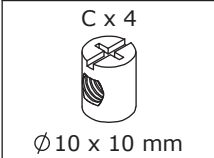
19



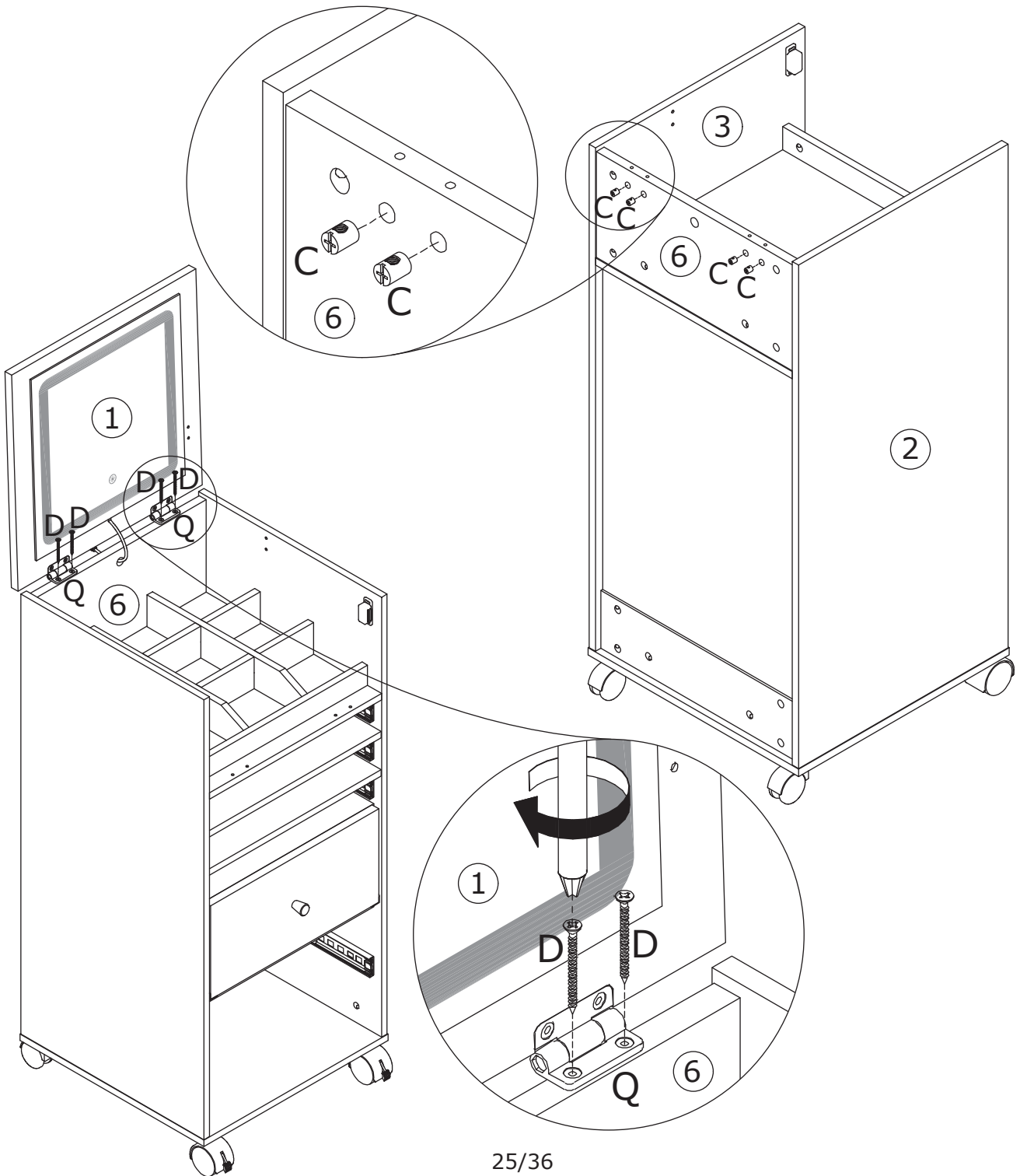
Secure hinge Q to plate 1 with screw H.



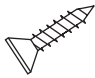
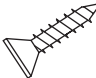
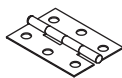
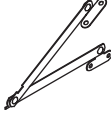
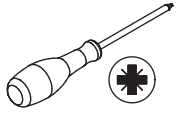
20



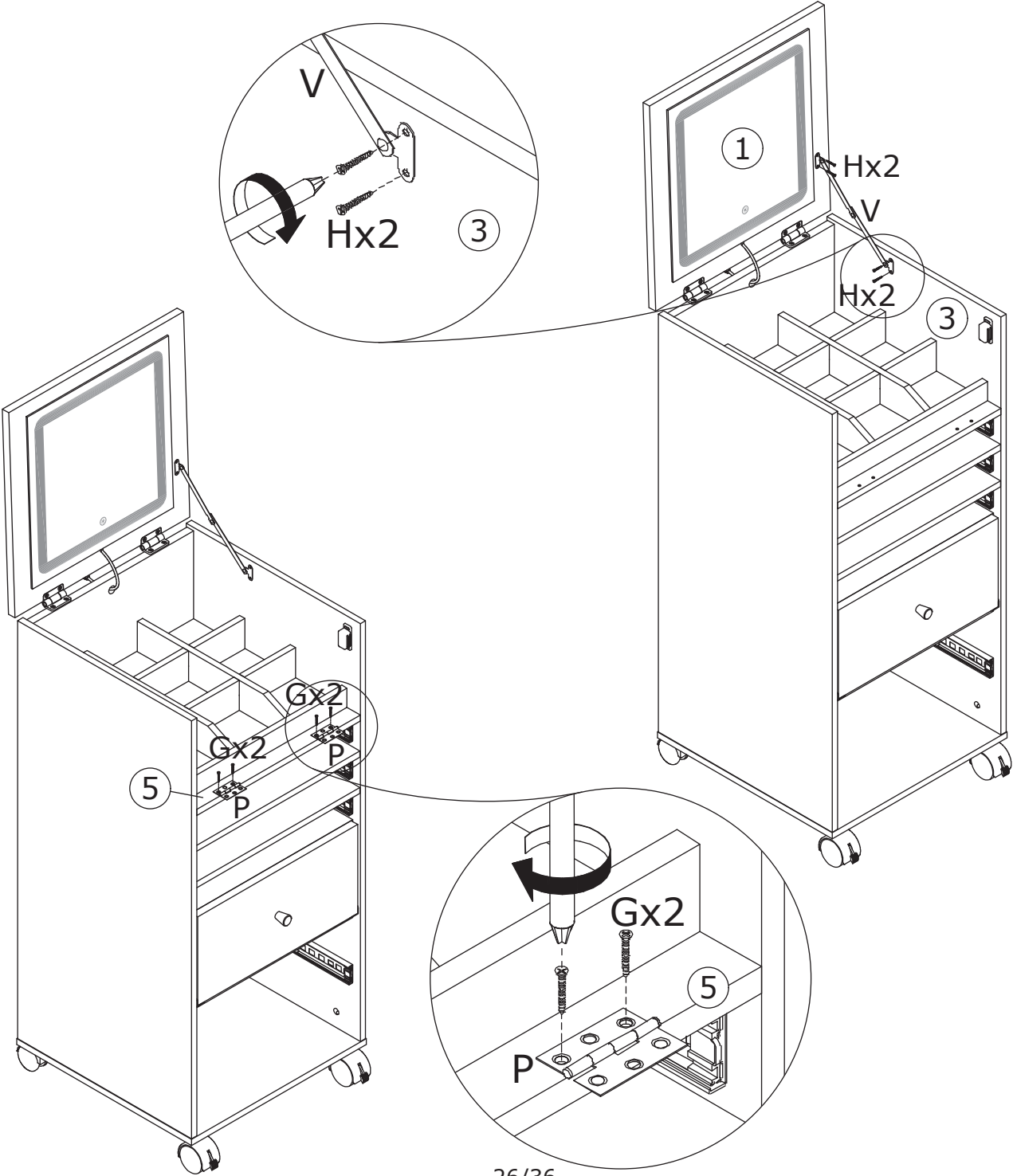
Insert part C into plate 6.
Connect hinge Q and plate 6 with screw D.



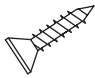
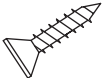
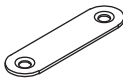
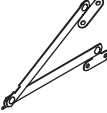
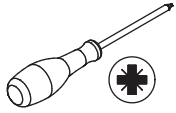
21

<p>G x 4  M3 x 14 mm</p>	<p>H x 4  M3.5 x 12 mm</p>	<p>P x 2  L = 44 mm</p>	<p>V x 1 </p>	
---	---	--	---	---

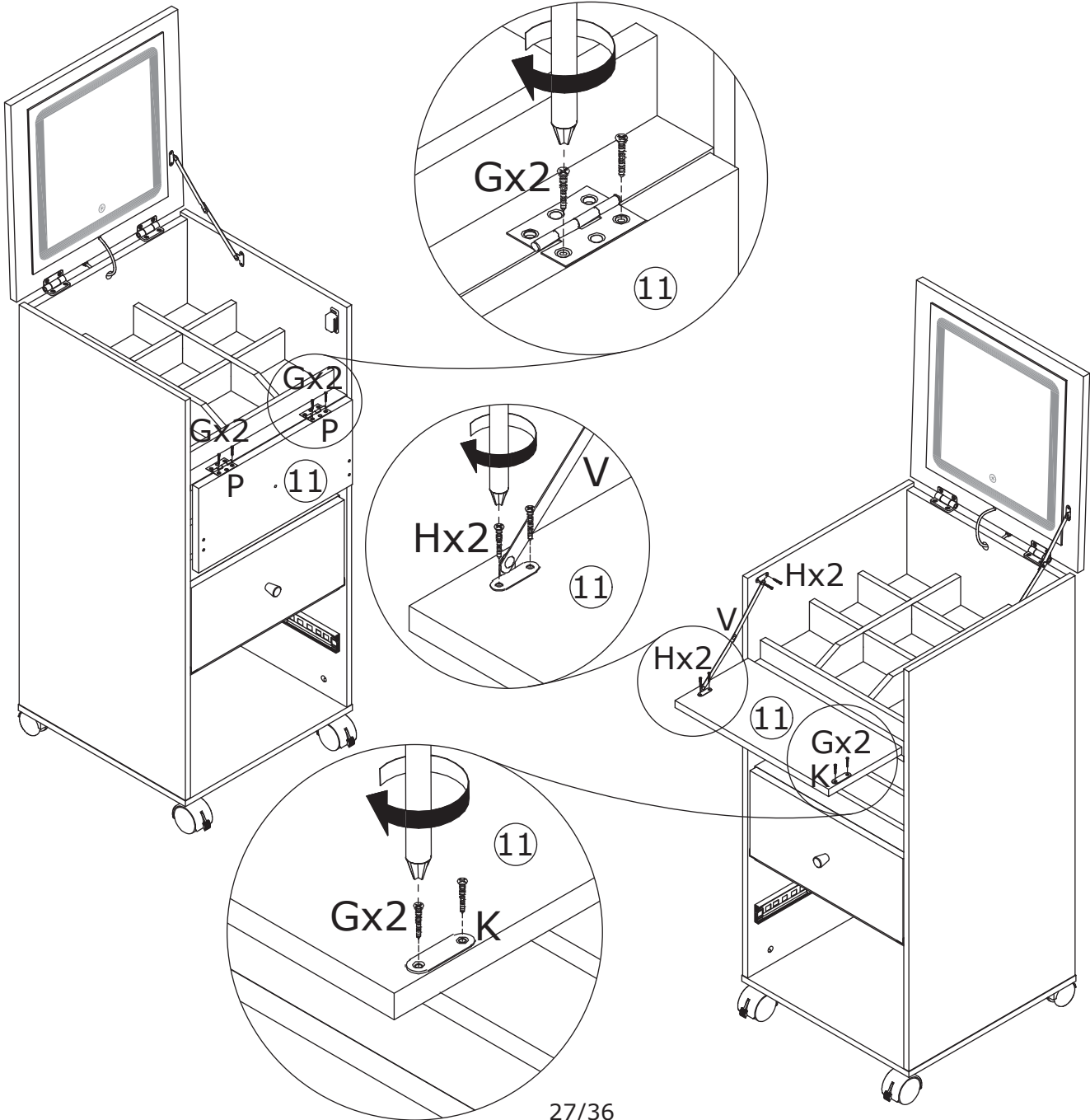
Secure component V to plates 3 and 1 with screw H.
Secure hinge P to plate 5 with screw G.



22

<p>G x 6 M3 x 14 mm</p> 	<p>H x 4 M3.5 x 12 mm</p> 	<p>K x 1</p> 	<p>V x 1</p> 	
---	---	--	---	---

Connect hinge P to plate 11 with screw H.
Secure component V to plates 2 and 11 with screw H.
Secure component K to plate 11 with screw G.

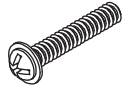


23

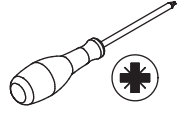
M x 1



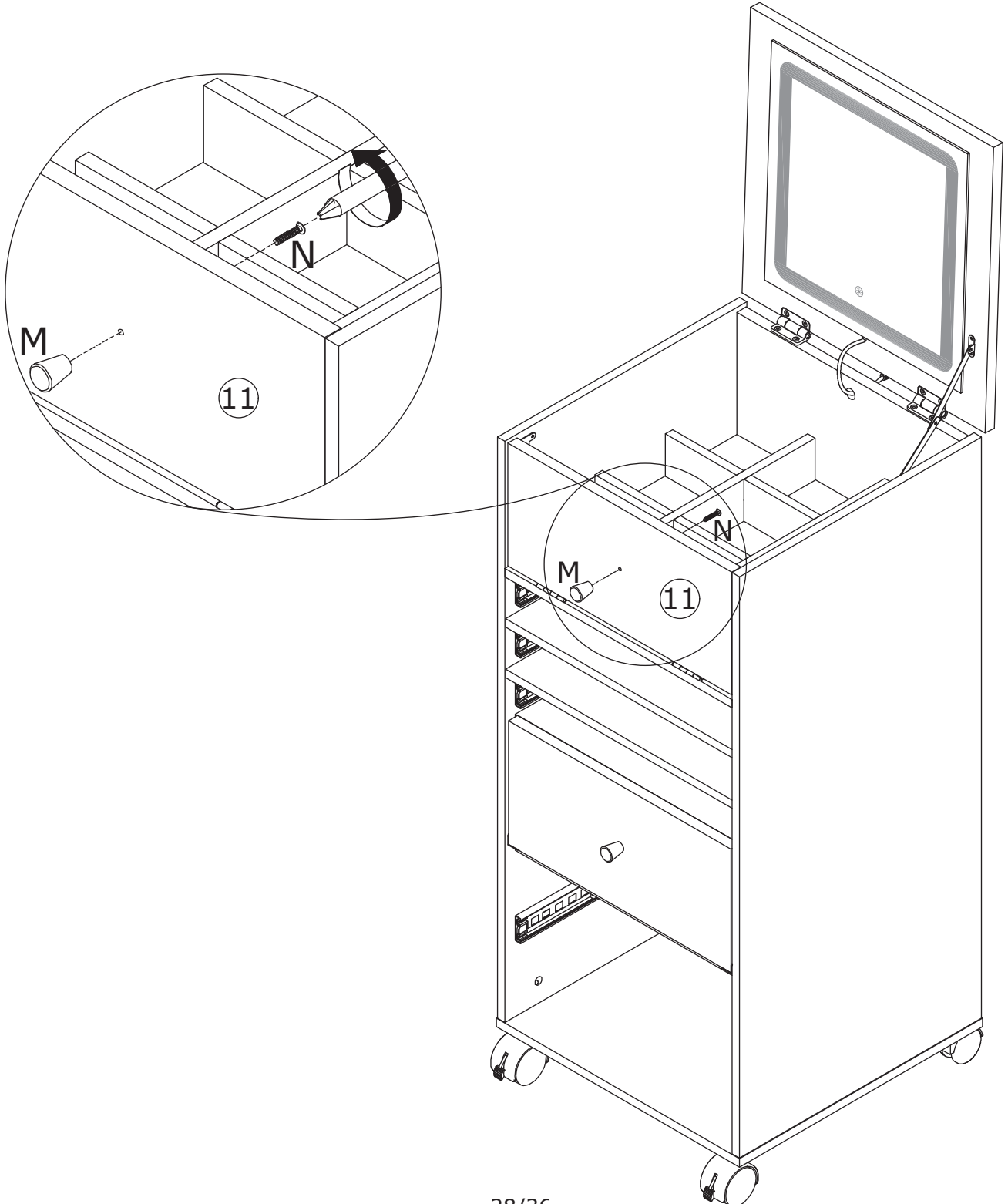
N x 1



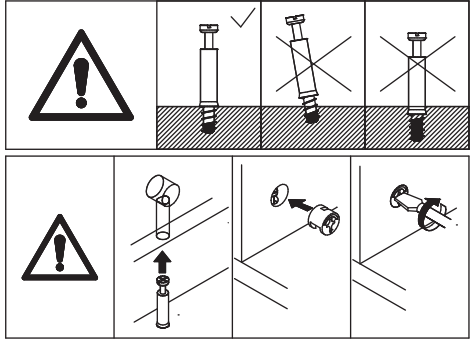
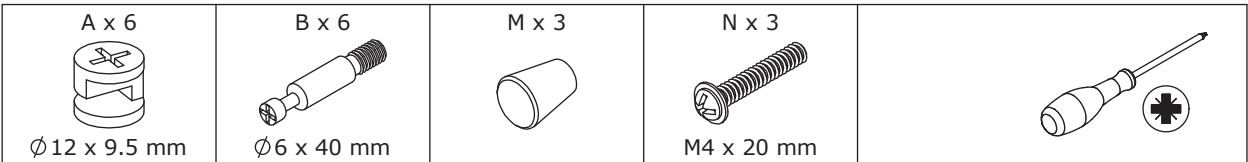
M4 x 20 mm



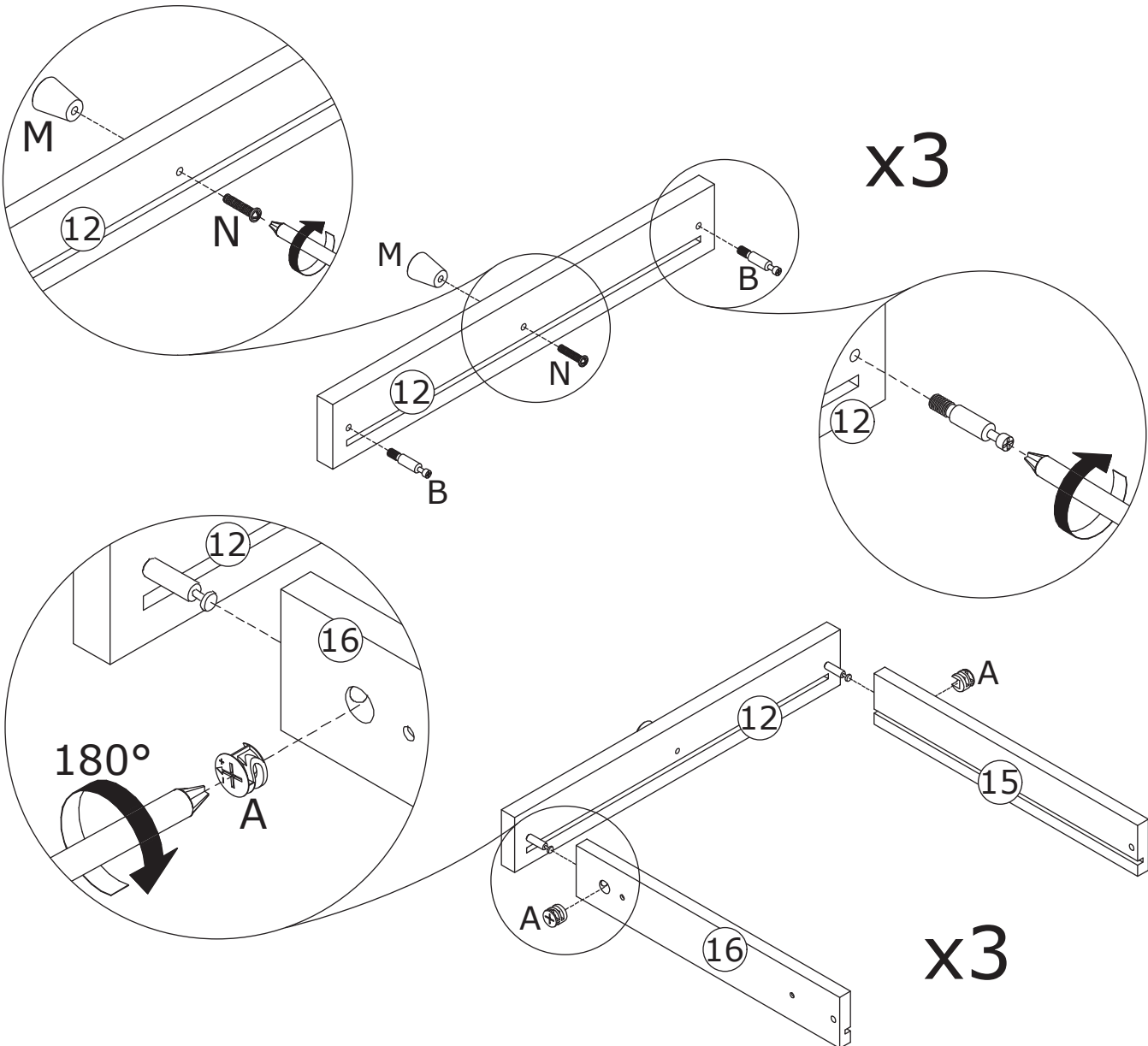
Secure knob M to plate 11 with screw N.



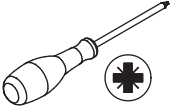
24



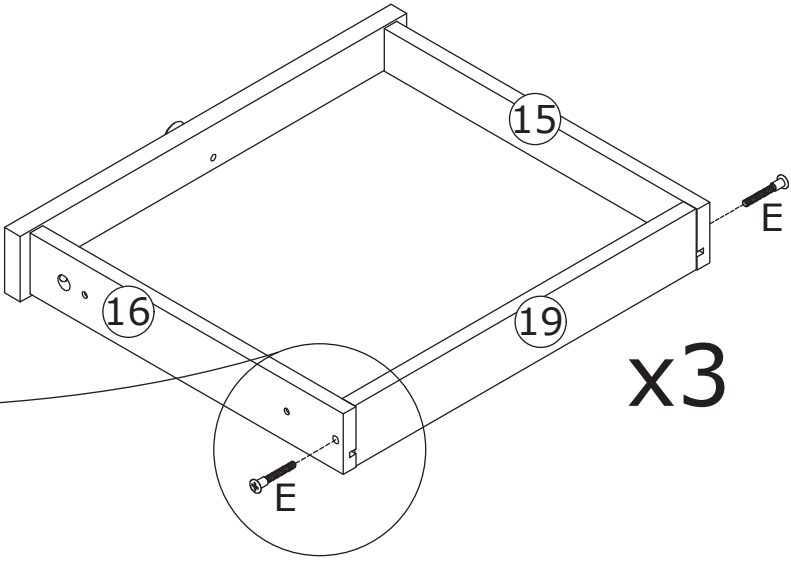
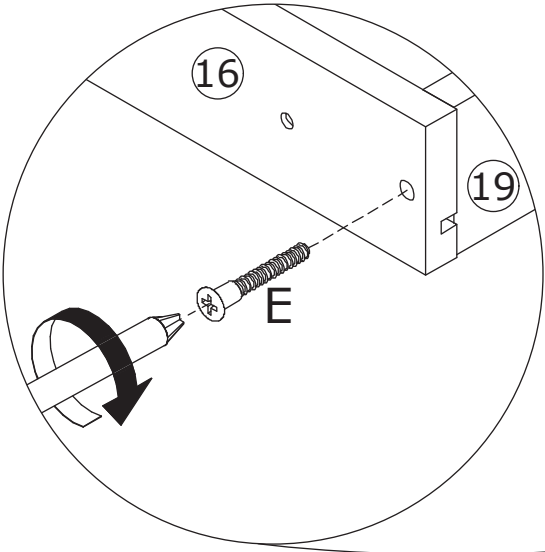
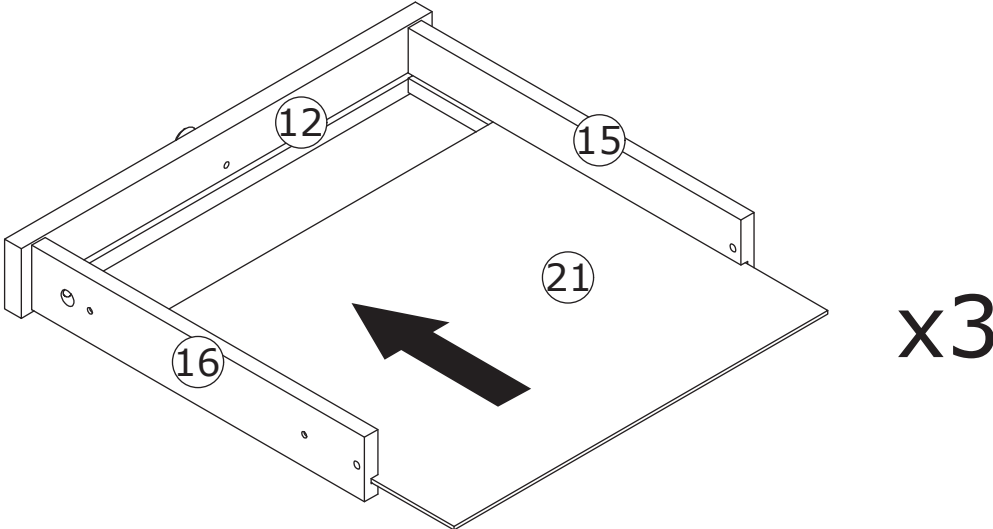
Secure knob M to plate 12 with screw N.
Screw eccentric rod B into plate 12.
Connect plate 12 to plates 15 and 16,
tighten by rotating cam lock A clockwise.



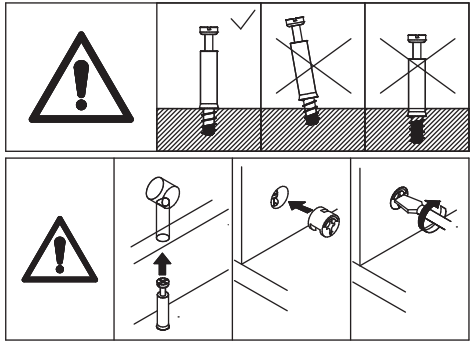
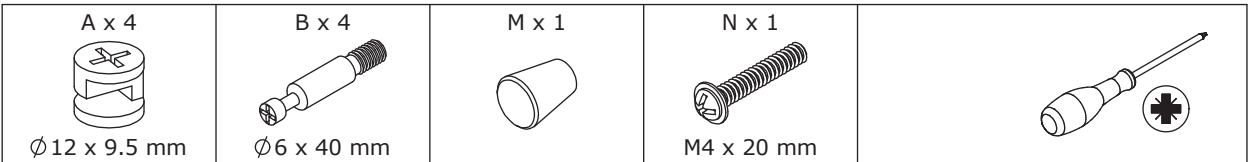
25



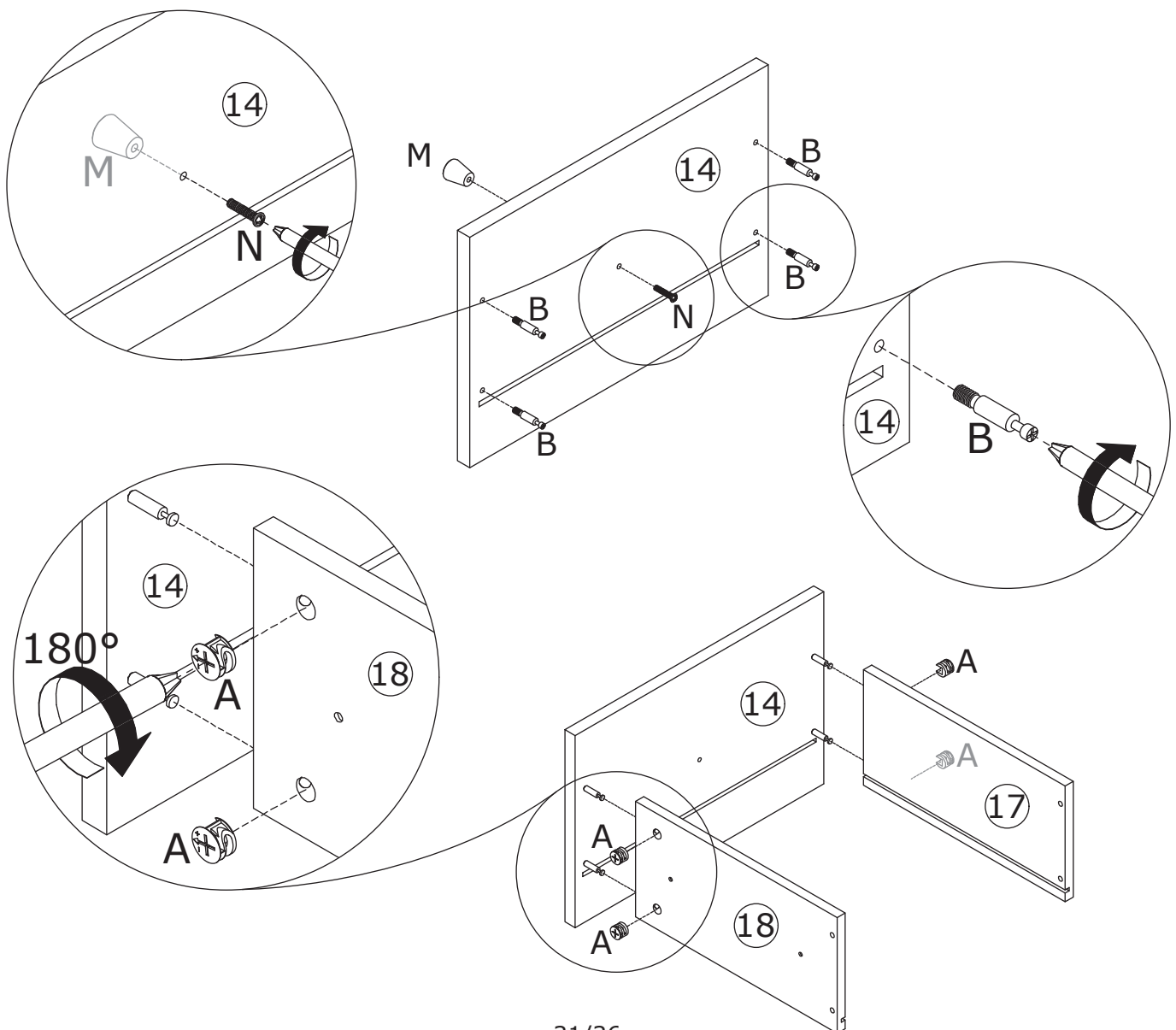
Insert plate 21 into the slots.
Connect plate 19 to plates 15 and 16 with
screw E. Repeat steps.



26

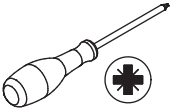


Secure knob M to plate 14 with screw N.
Screw eccentric rod B into plate 14.
Connect plate 14 to plates 17 and 18, tighten
by rotating cam lock A clockwise.

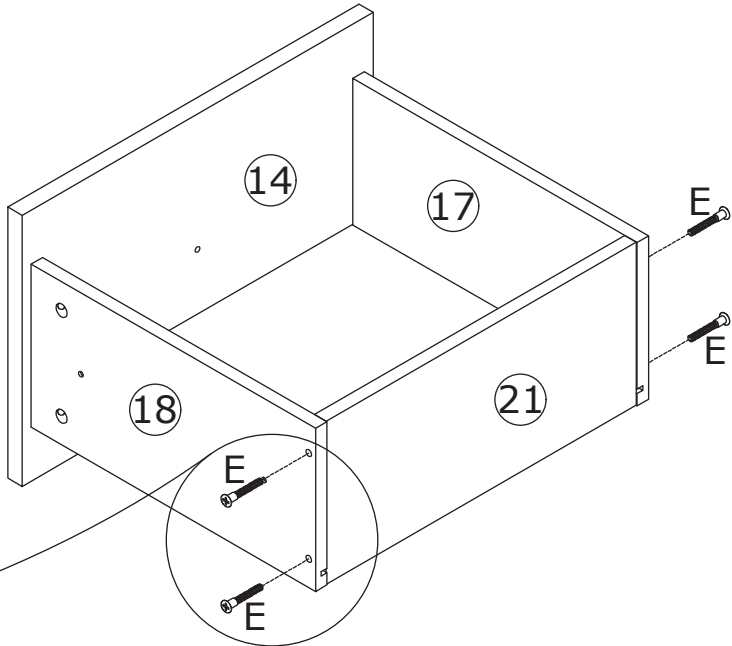
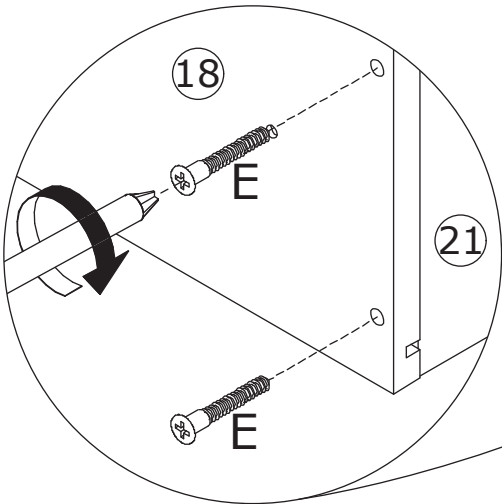
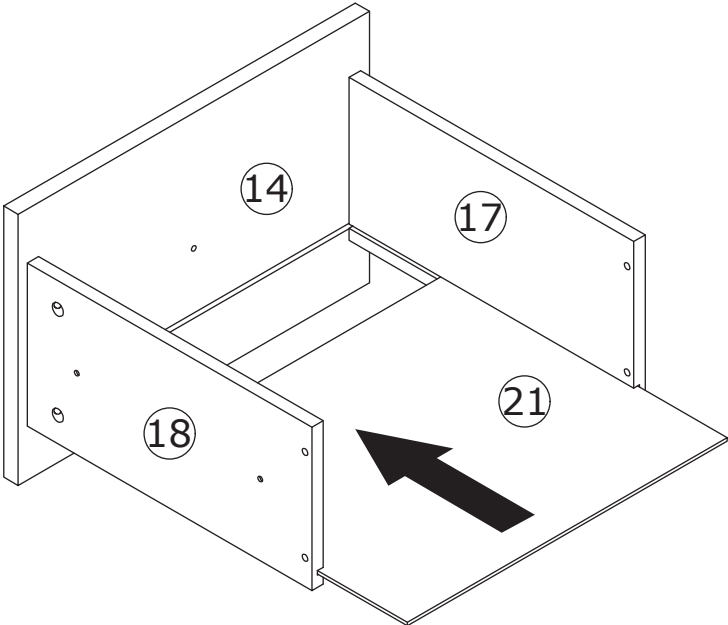


27

E x 4
M5 x 40 mm



Insert plate 21 into the slots.
Connect plate 20 to plates 17 and 18
with screw E. Repeat steps.

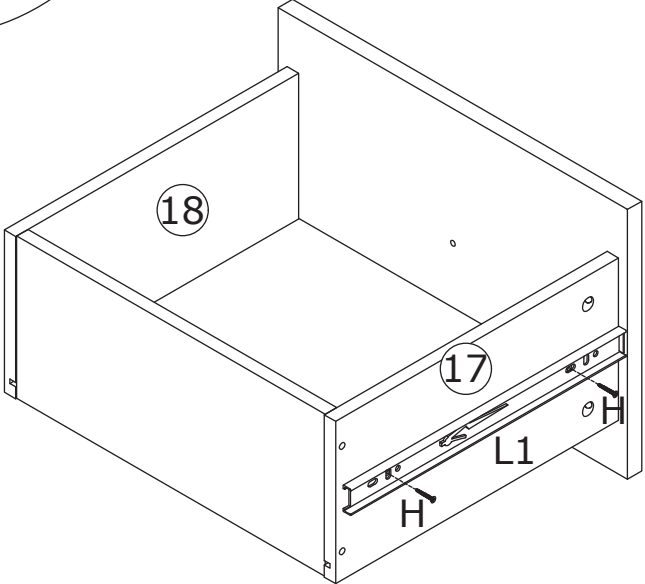
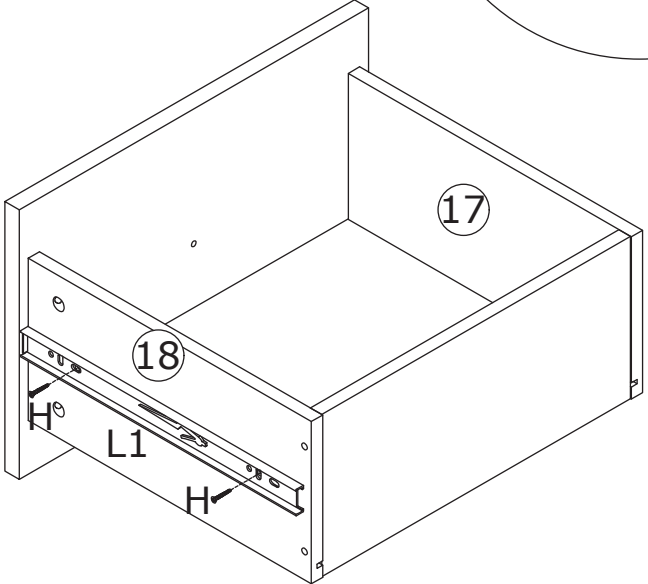
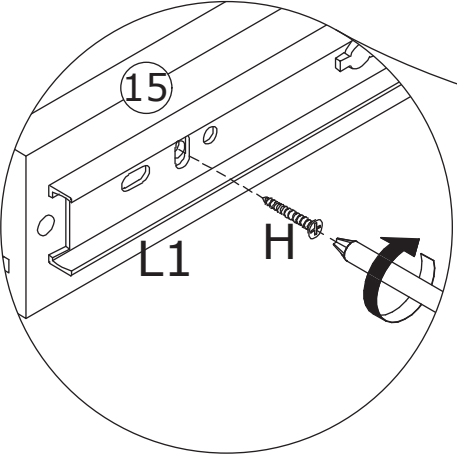
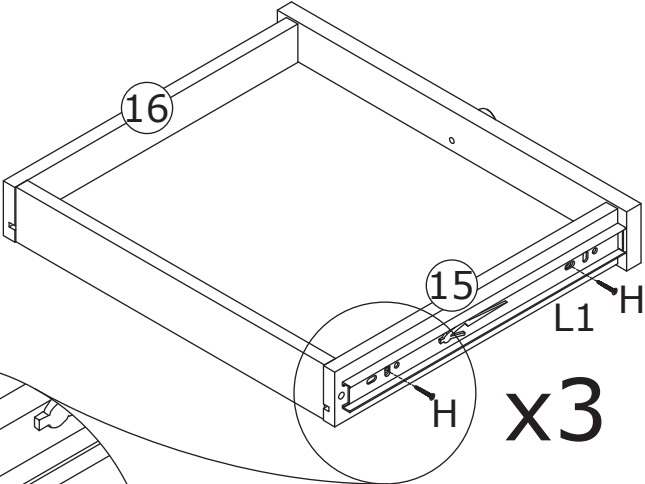
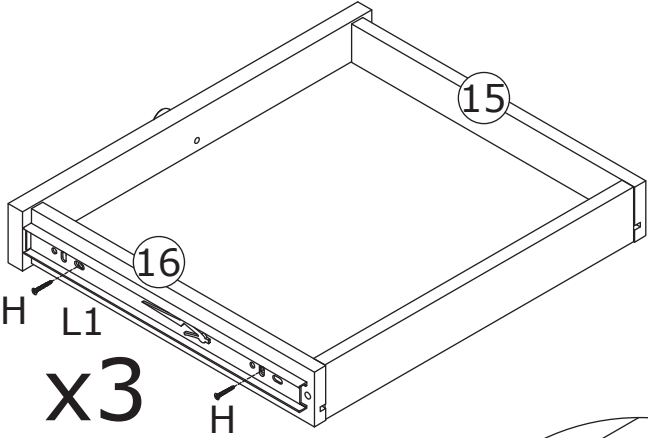


28

<p>H x 16 M3.5 x 12 mm</p> 	<p>L x 8 L1 12"</p> 	
--	---	---

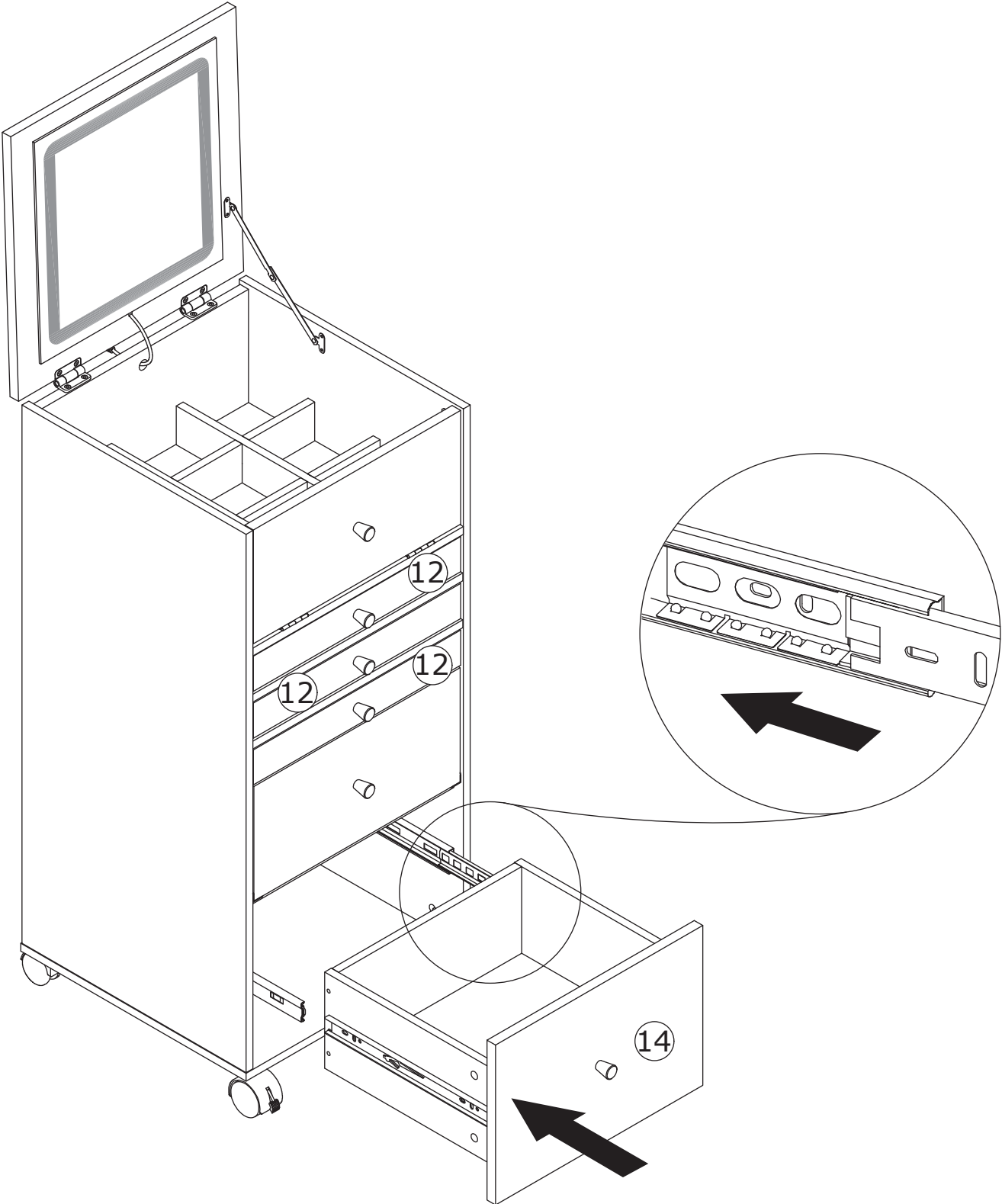


Secure rail L1 to plates 15, 16, 17, and 18 with screw H. Repeat steps.



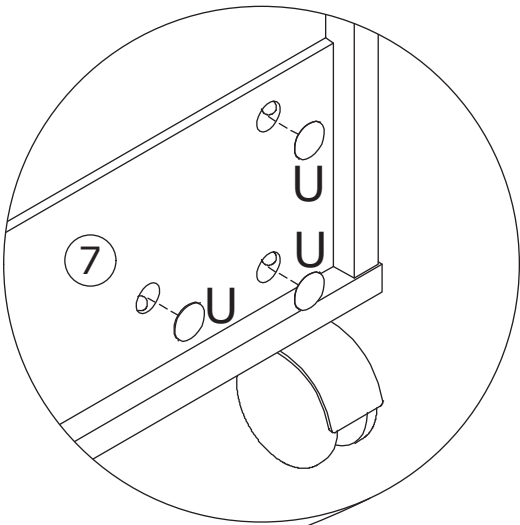
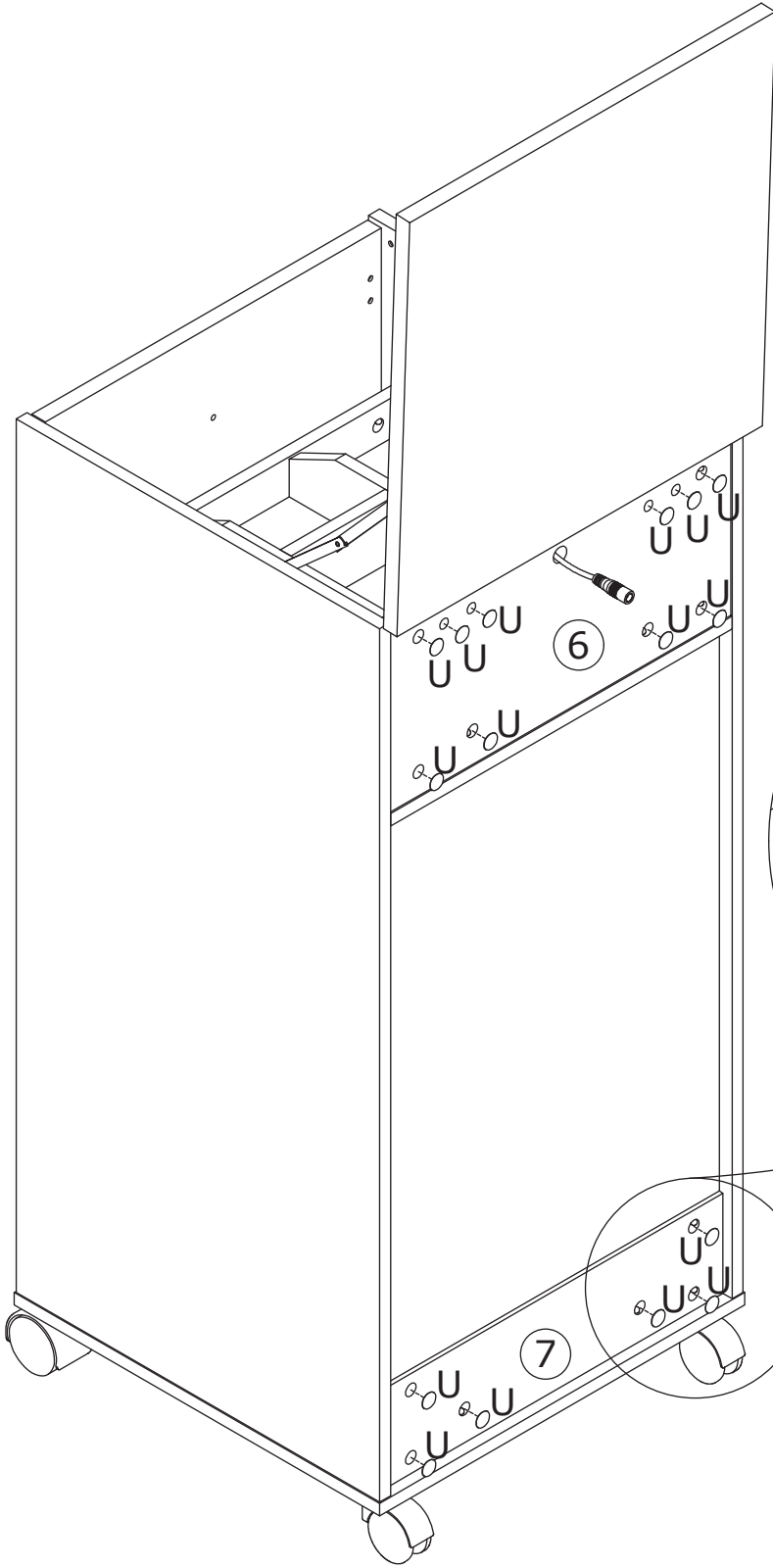
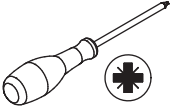
29

Insert the drawers into the unit.



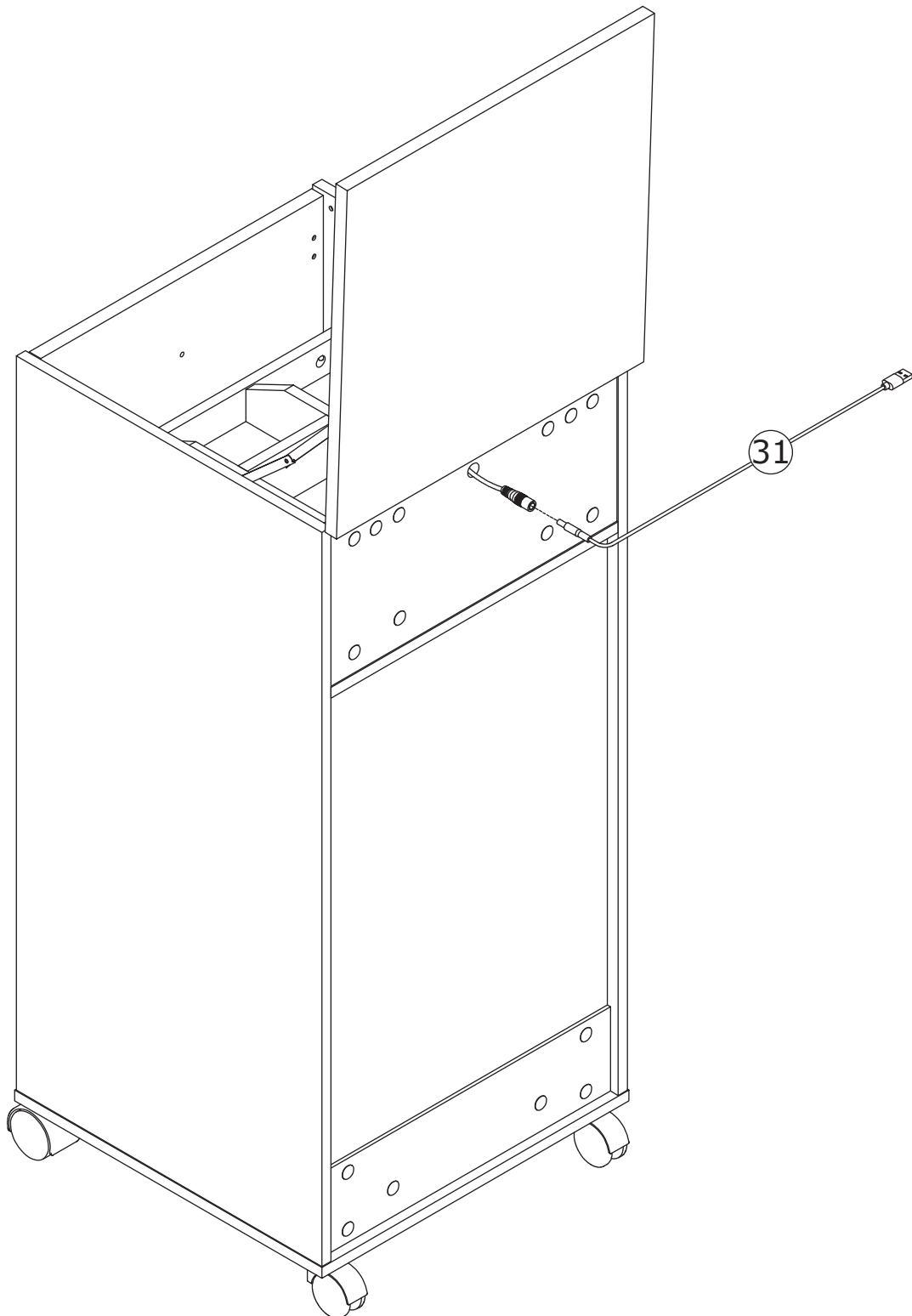
30

U x 16
Ø 15 mm



31

Connect part 31 to the light strip.



WARRANTY

WARRANTY CLAIMS

- There is a 30-day warranty for broken furniture or any other problems that do not work properly. The warranty will start from the date of purchase which must be verified by proof of purchase.
- Before making a claim, we may be able to answer your query, simply call us. Please leave your purchase order number, along with some details of the problem, if you want a replacement part. We will arrange within 48 hours. If there is out of stock, we will reply with a shipping date.
- The product must be used in accordance with the instructions provided. For health reasons.
- For other reasons, if the furniture needs to be returned, it must be cleaned and dried and operated within 30 days of receipt.

Type of Warranty Claim

- Failure to follow the furniture instructions will invalidate the warranty. Attention please.
- Does not include damage during installation, but includes damage during transportation.

Scope of responsibility

- Shall not bear any responsibility for misuse or user damage and / or loss of parts during the installation of furniture.
- After using, the damage and scratches of the furniture are not covered by the warranty.

The Warranty Relates to All Bought in The Us and Covers The Following Areas

- Sheet parts: 1 month from the date of purchase.
- Electrical parts: 1 month from the date of purchase.

RETURNS

CHANGED YOUR MIND AND NEED TO RETURN YOU ITEM?

PLEASE FOLLOW THE BELOW INSTRUCTIONS:

- If you have purchased and have simply changed your mind, follow the retailer's instructions for returns.

DEFECTIVE ITEMS

- If your item is defective in any way, i.e. it doesn't work but you can't identify why, in the first instance, please call us.

DAMAGED ITEMS

- If you receive an order with obvious shipping damage from the retailer, then we suggest the delivery is refused. If the delivery has been accepted and then shipping damage is found, please follow the specific instructions advised by the retailer.
In all circumstances please save all packaging material and paperwork for the order. Please be aware that if you dispose of packaging material or attempt to return the merchandise without contacting the fulfiller, you jeopardise your chances of making a claim, and you may not receive a credit for the return.

AFTER-SALES CONTACT



adelahu@fufugaga.com



208-820-0068