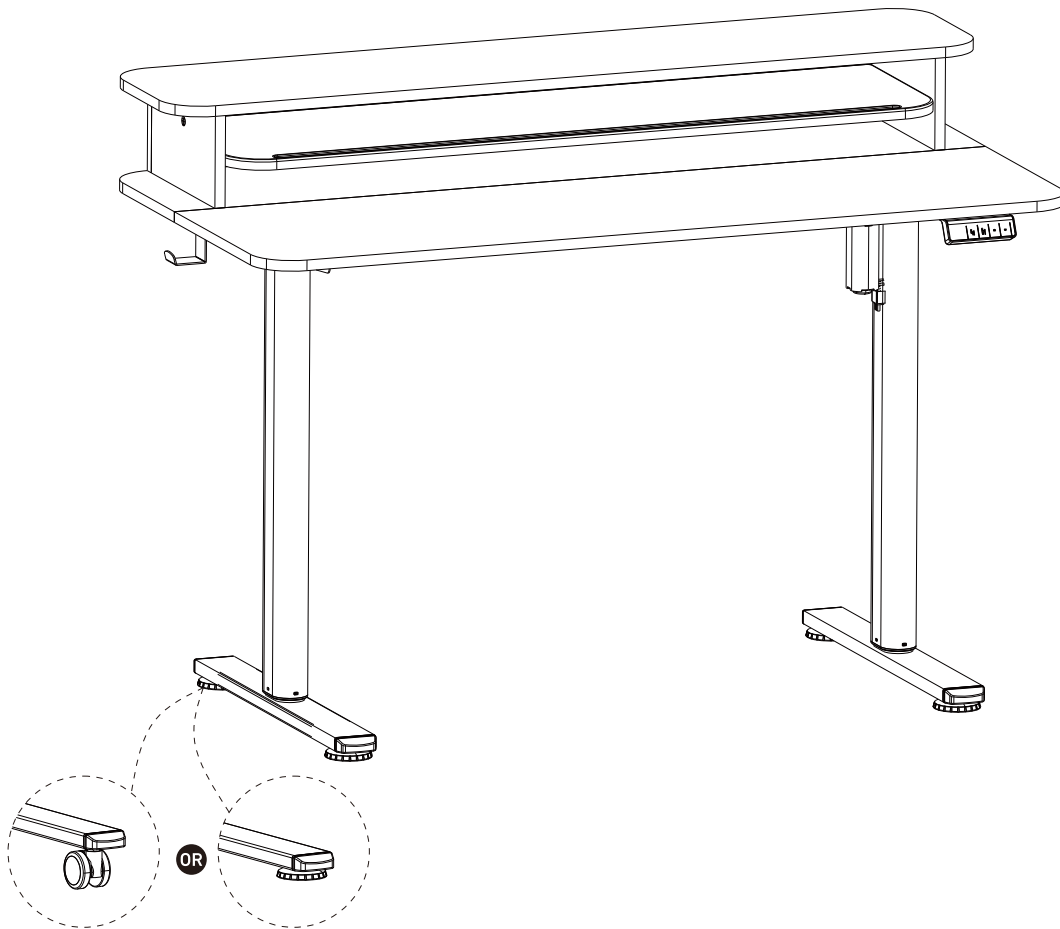


Electric Standing Desk with Holder Slot Instruction Manual

Note: There is also a more detailed installation video on the product detail page on website.



QR code for installation video



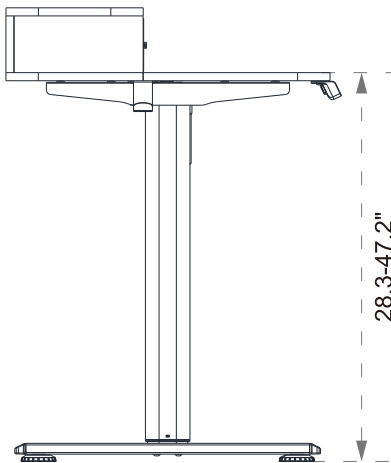
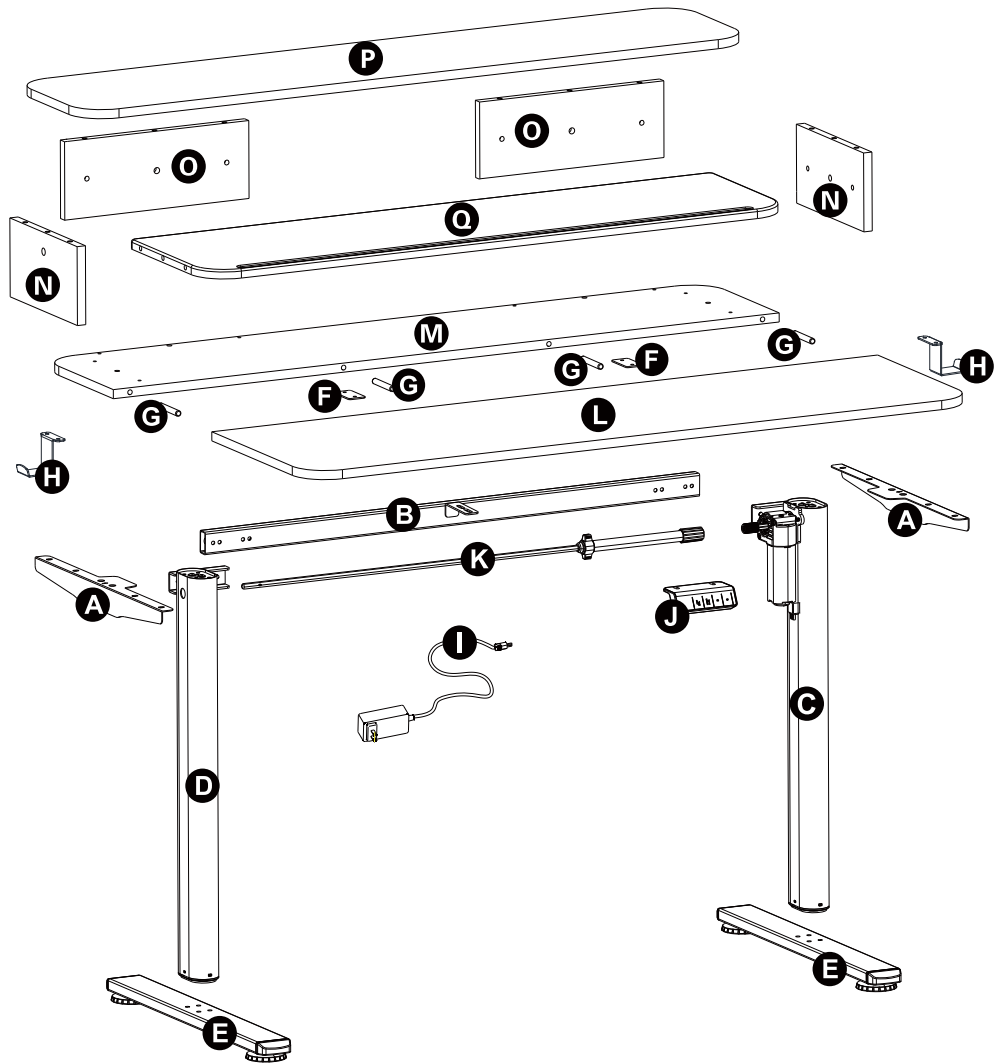
E-mail: support@flycitymall.com

Made in China



ASSEMBLY INSTRUCTION

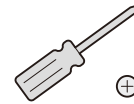
Decomposition of components



Height Range
28.3" - 47.2"



Pistol drill
(not included)



Phillips screwdriver
(not included)



Power Input
100V-240V

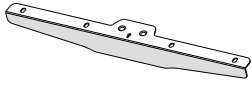


Max. Speed
25mm/s



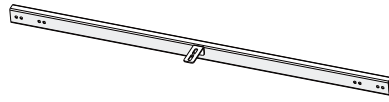
Operating Noise
<50dB

A



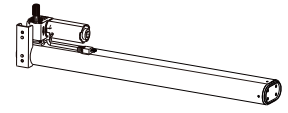
x2

B



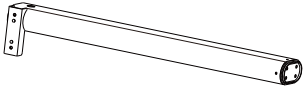
x1

C



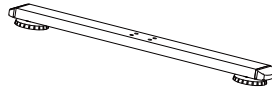
x1

D



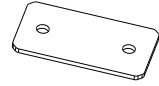
x1

E



x2

F



x2

G



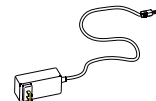
x24

H



x2

I



x1

J



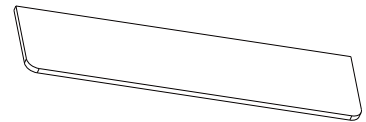
x1

K



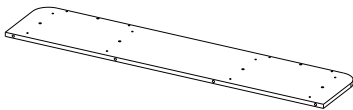
x1

L



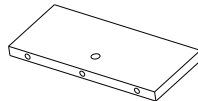
x1

M



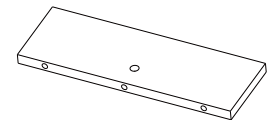
x1

N



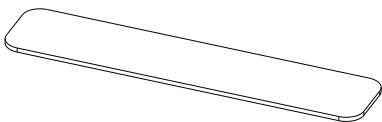
x2

O



x2

P



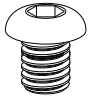
x1

Q



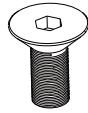
x1

S-A



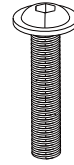
x4 (+1)

S-B



x4 (+1)

S-C



x8 (+1)

S-D



x20 (+2)

S-E



x1

S-F



x1

S-G



x8

S-H



x8

S-I



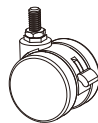
x8

S-J



x10 (+2)

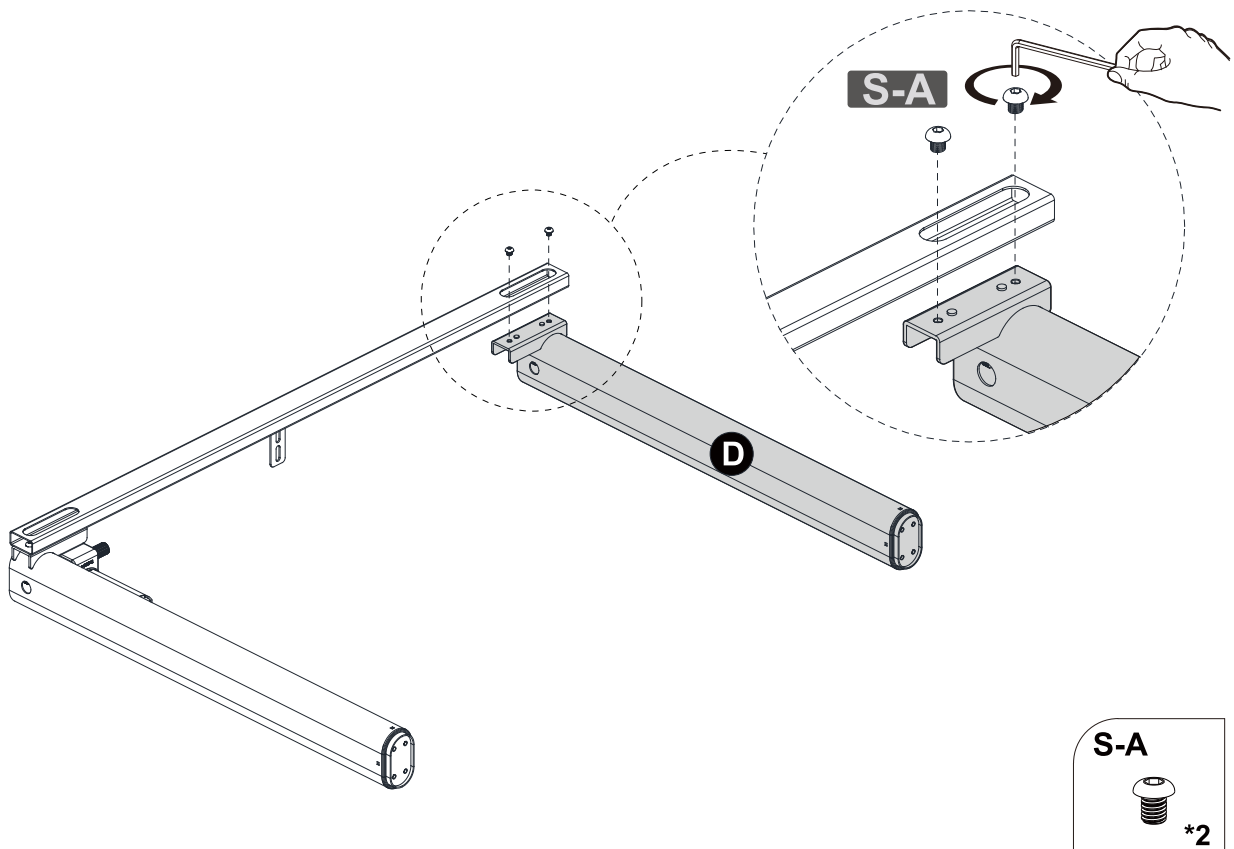
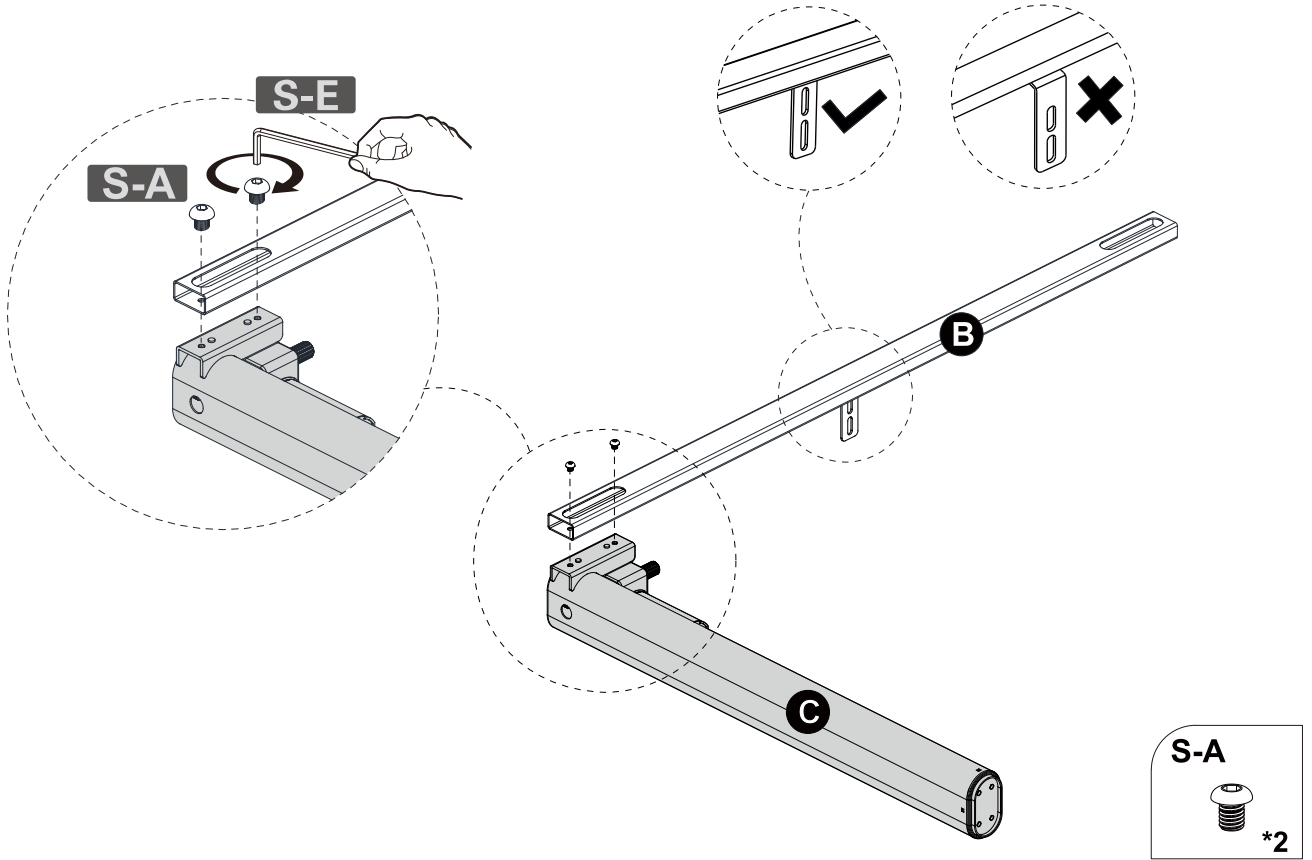
S-K



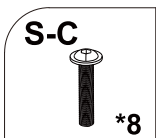
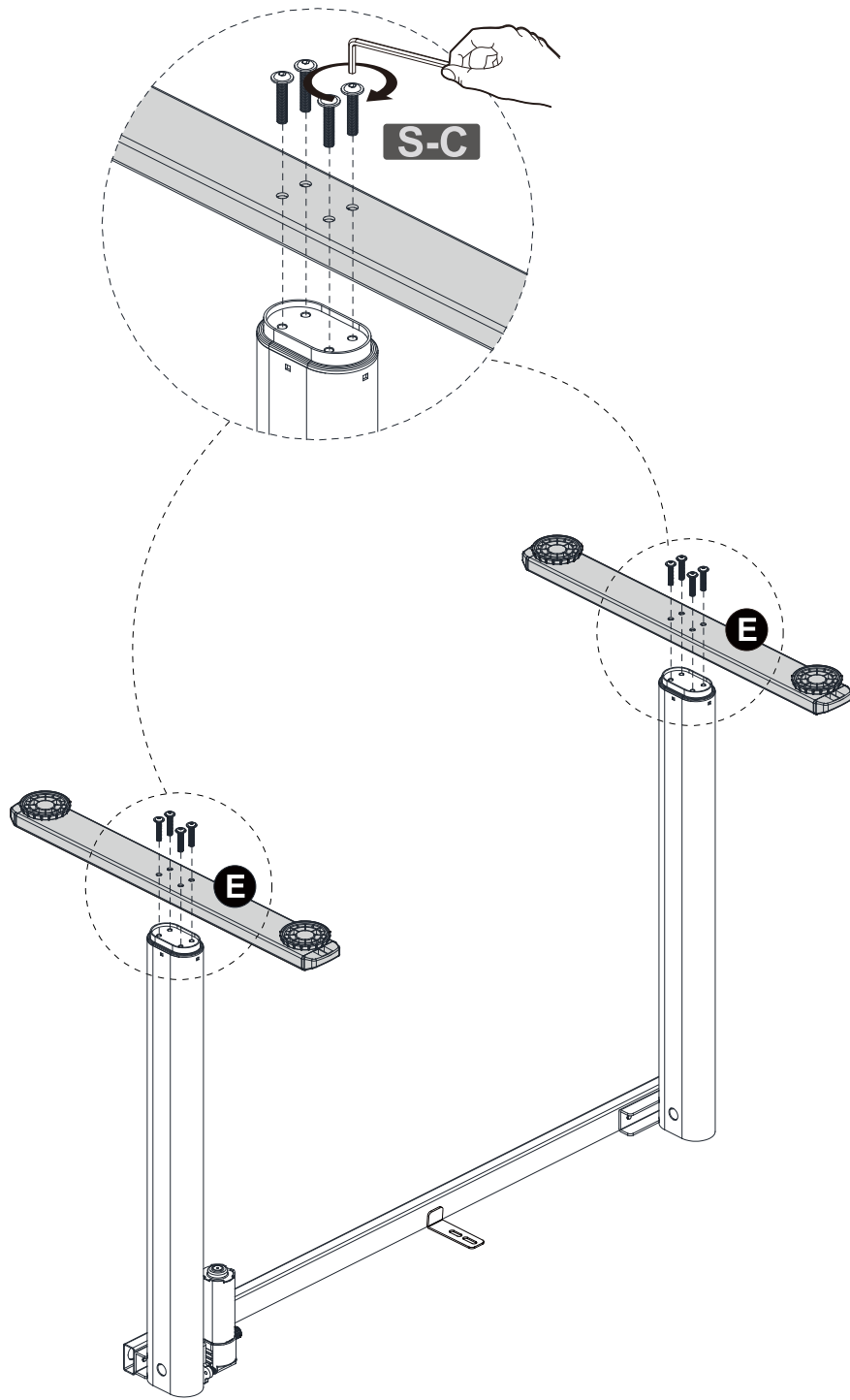
x4

STEP 1

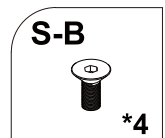
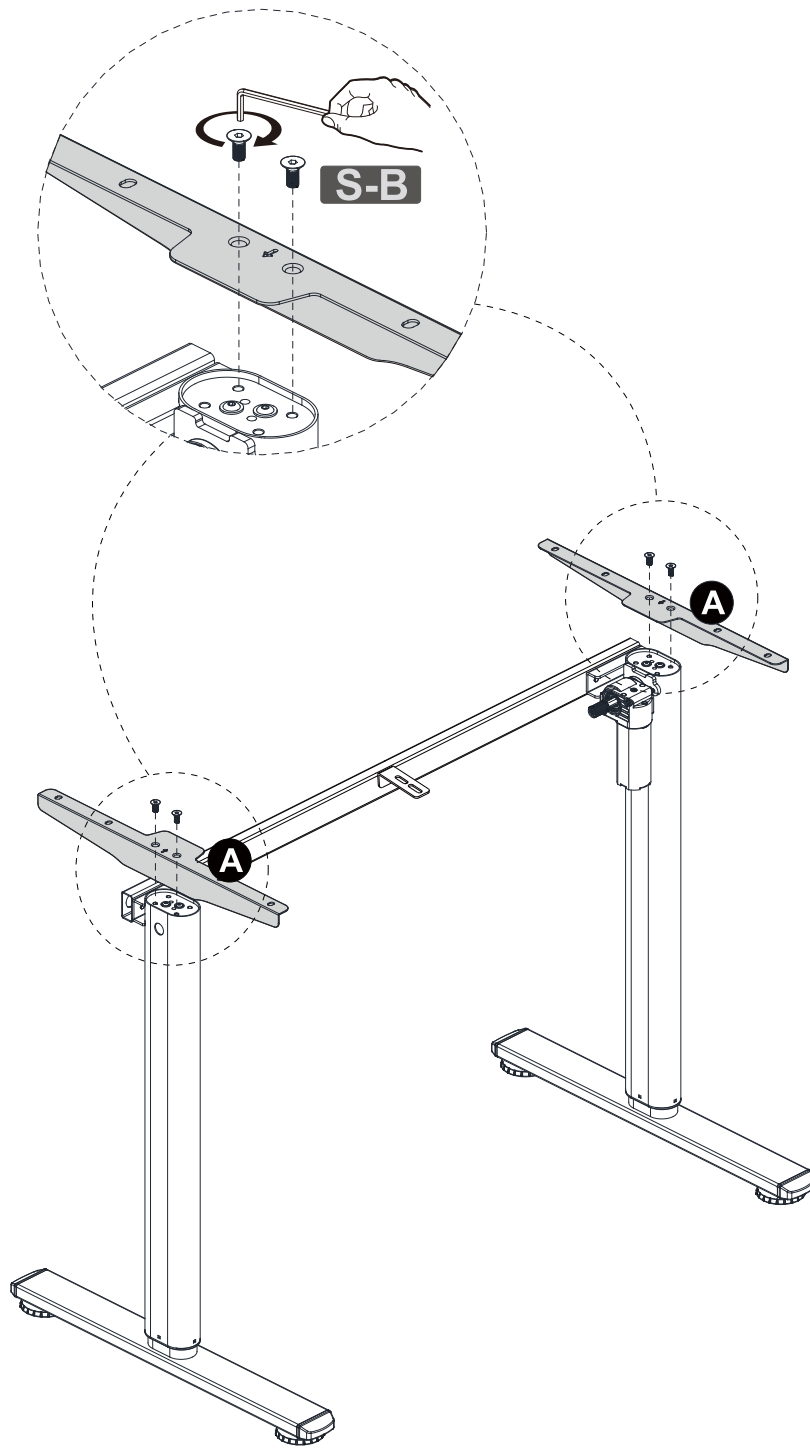
Caution: Welding plate facing upwards.



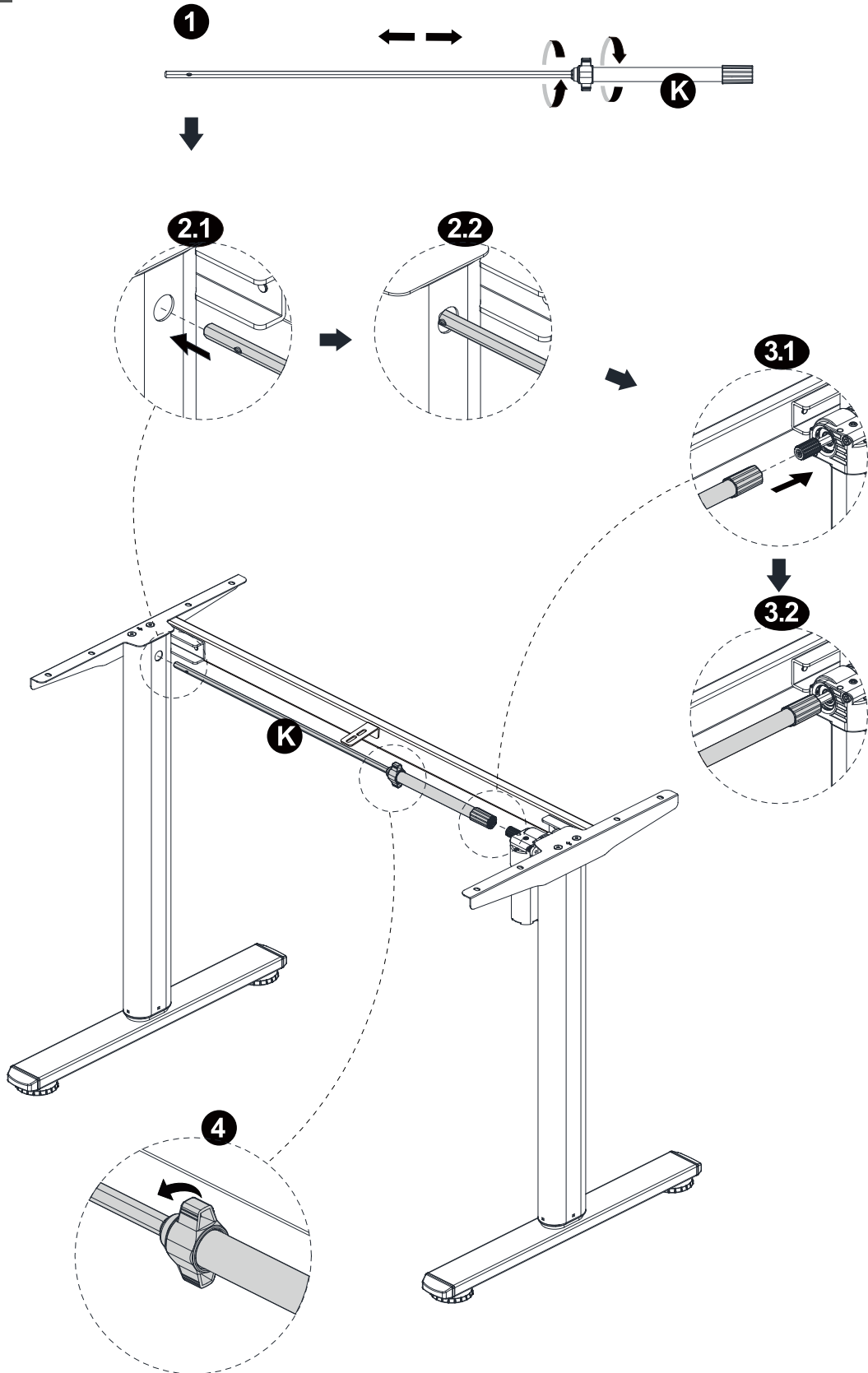
STEP 2



STEP 3

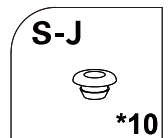
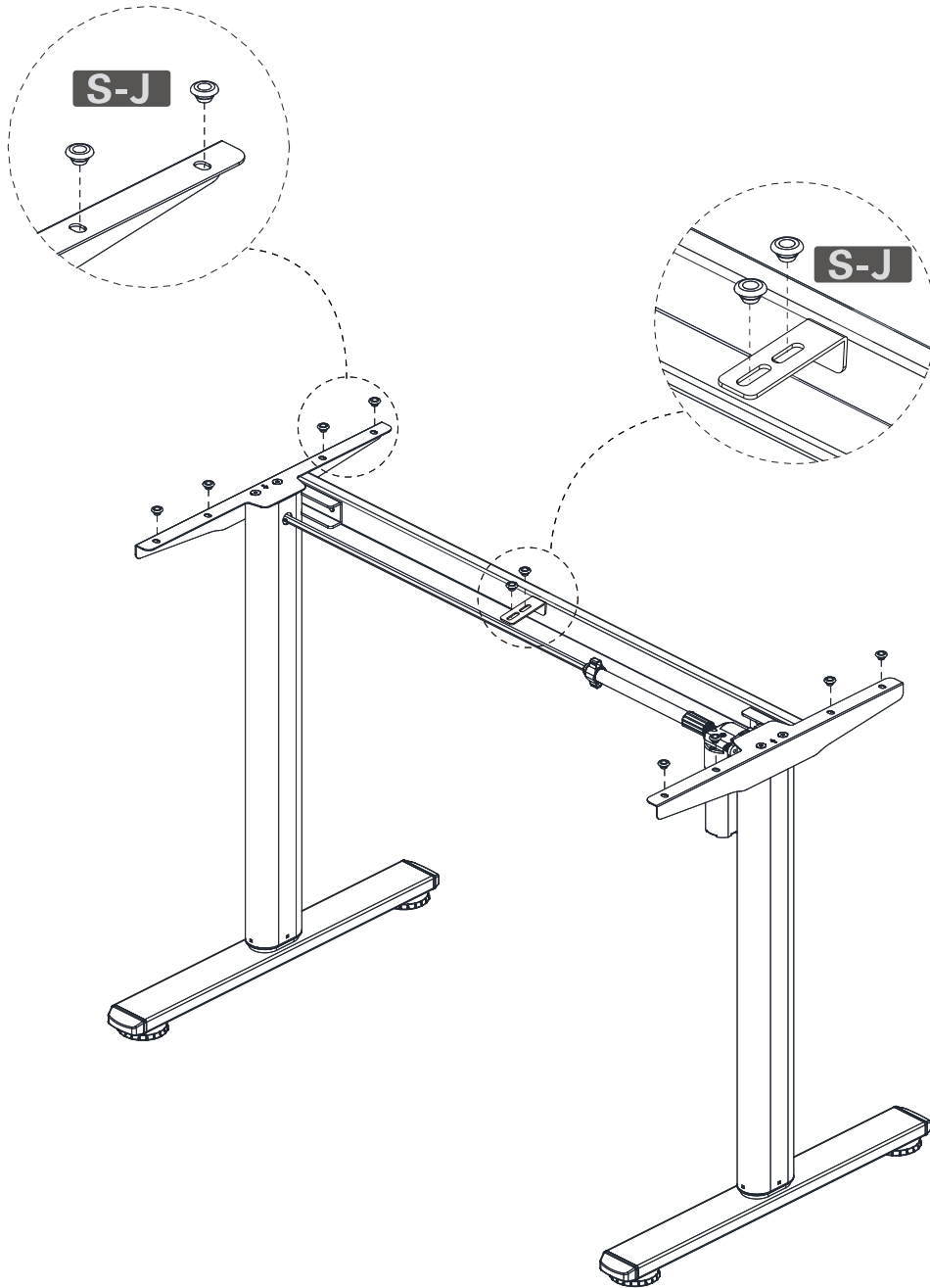


STEP 4

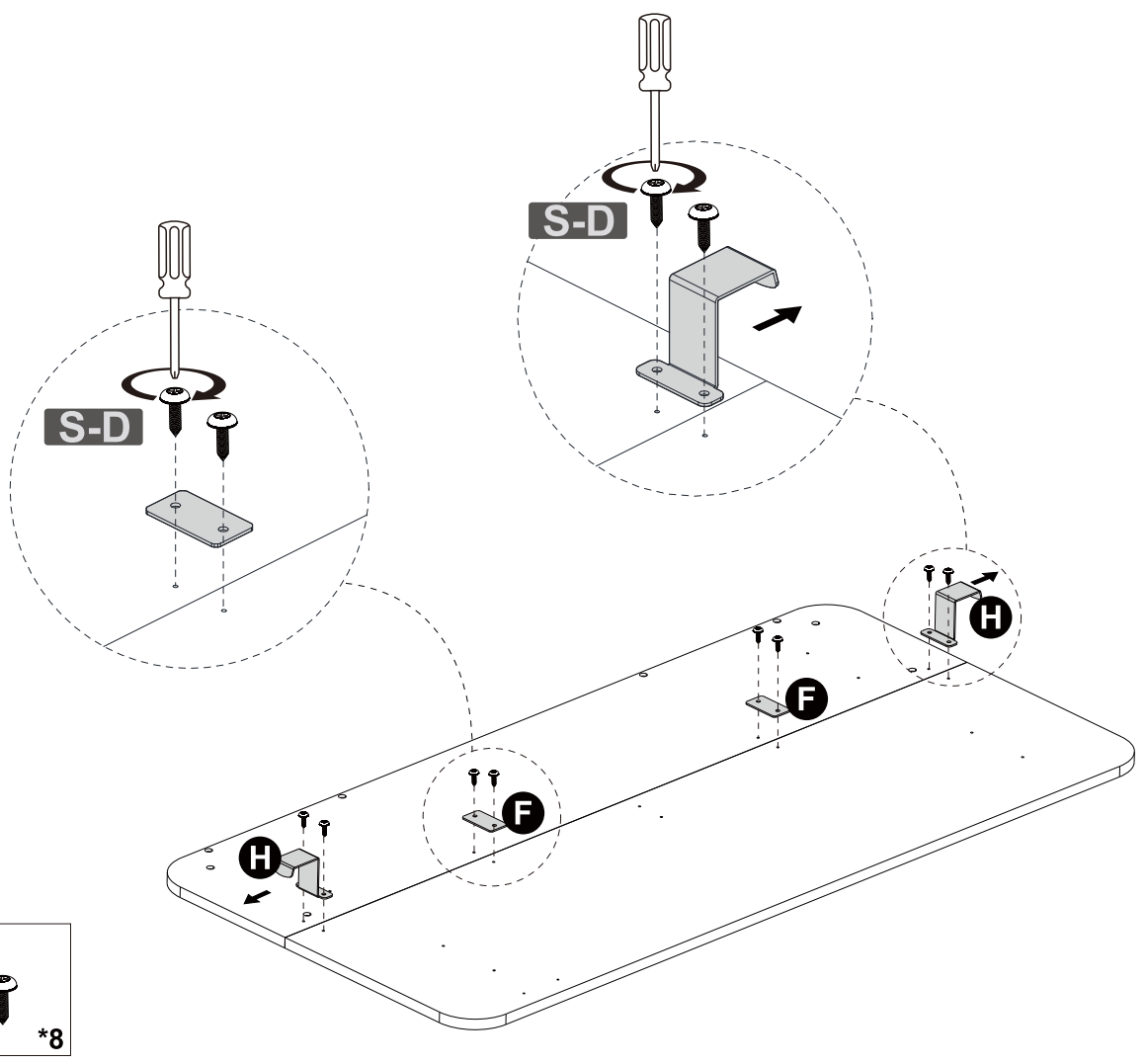
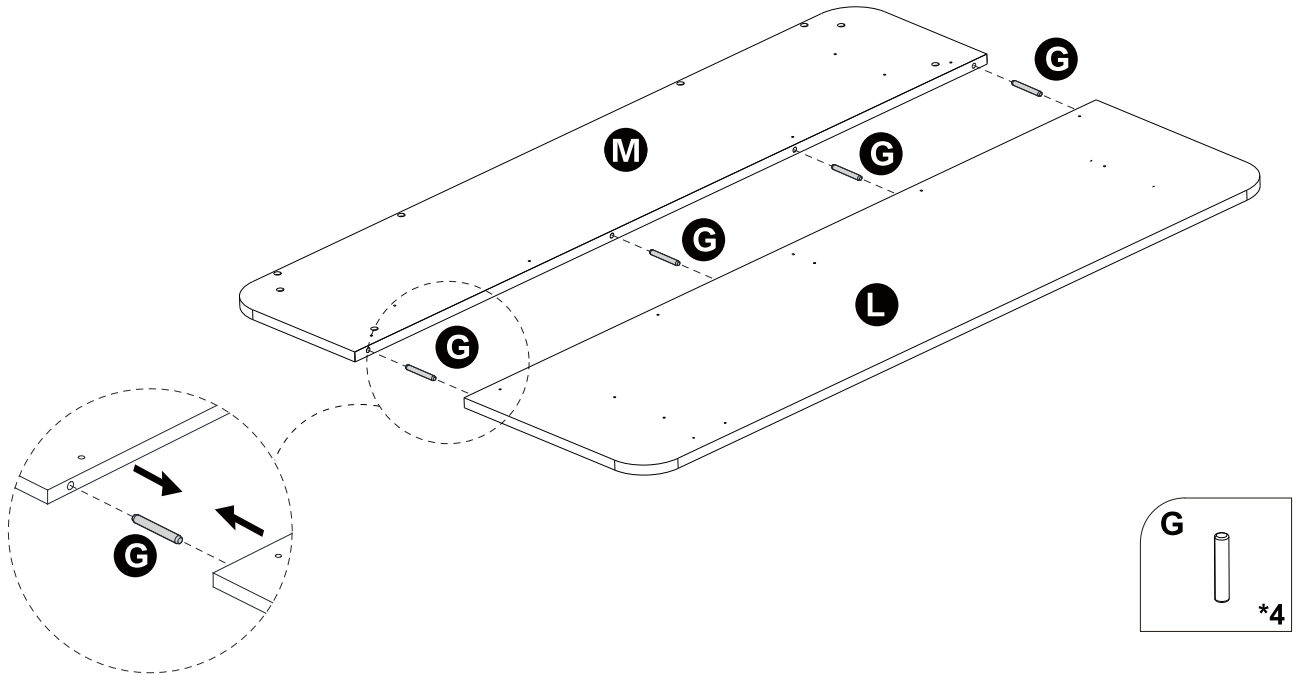


Tighten the coupling nut to fine-tune transmission rod fit.

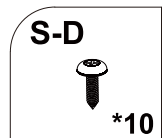
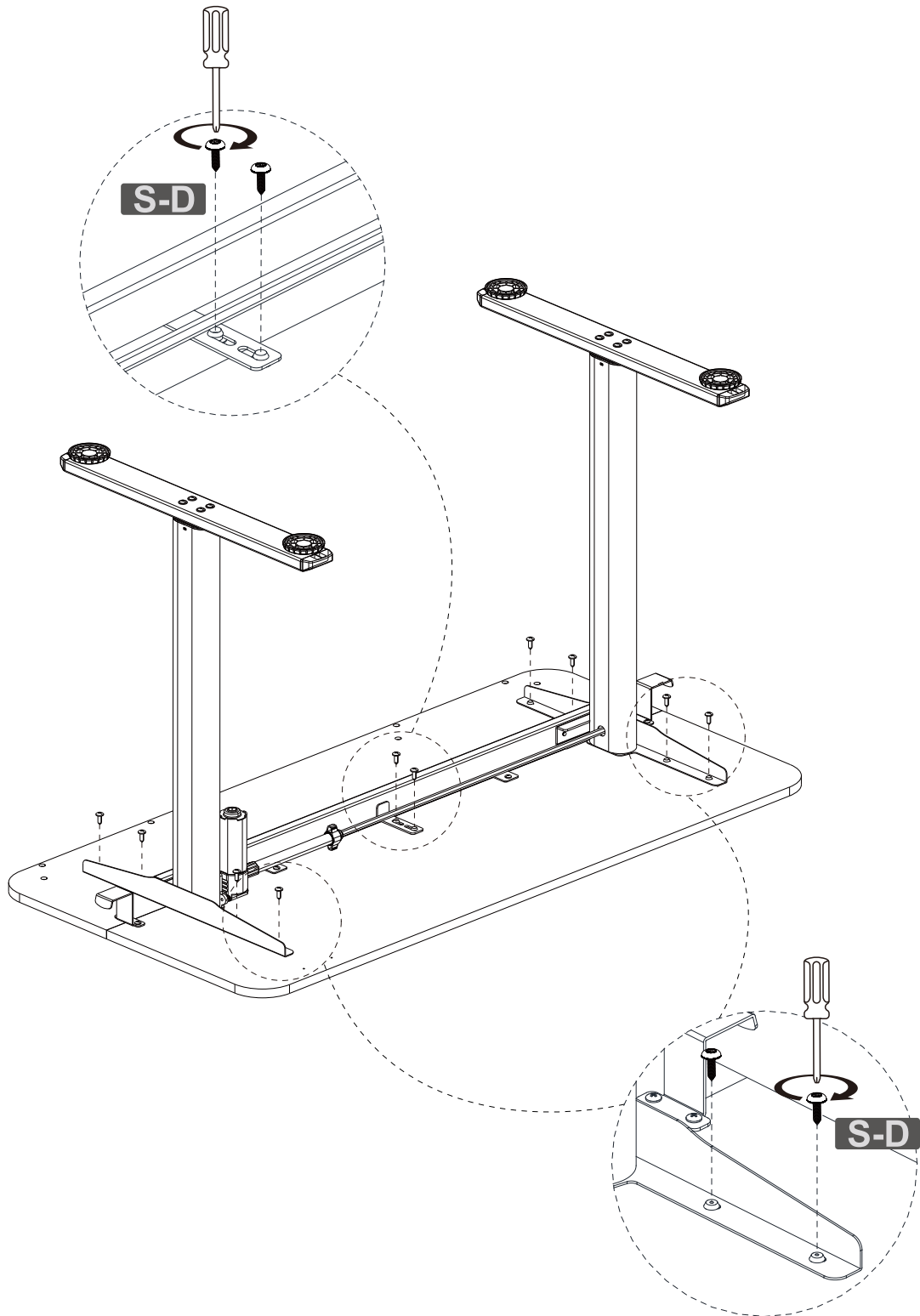
STEP 5



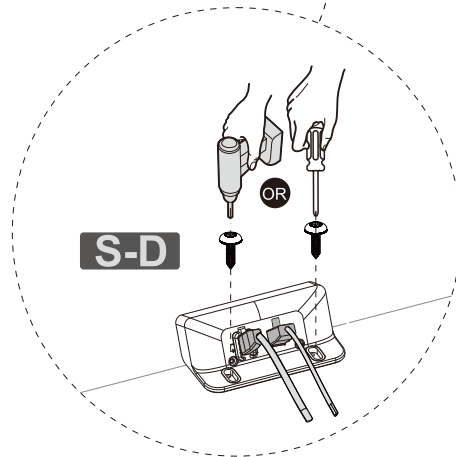
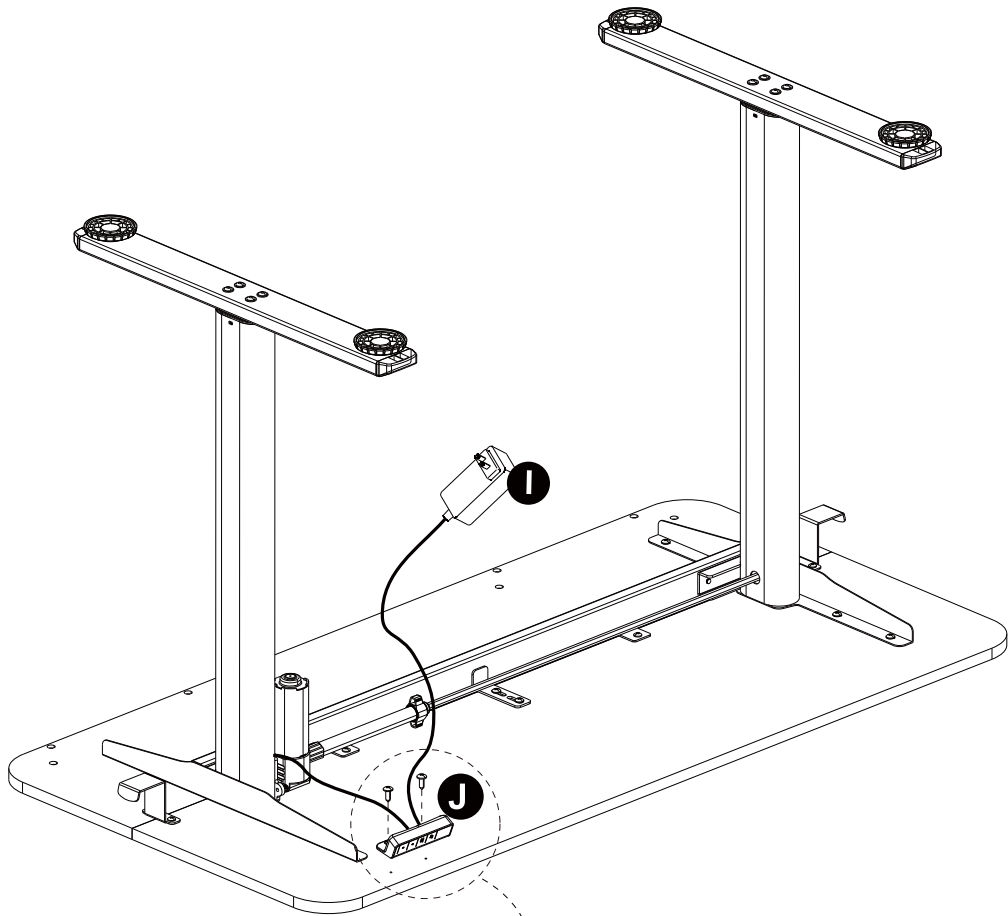
STEP 6



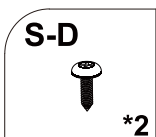
STEP 7



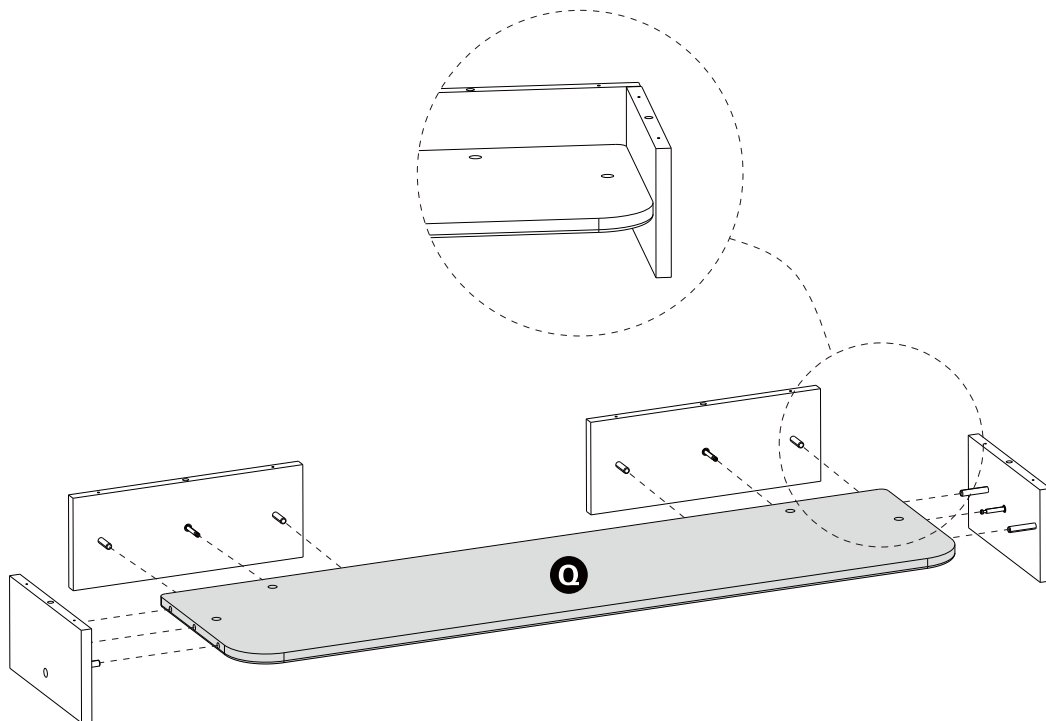
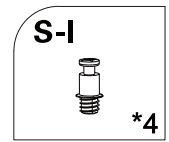
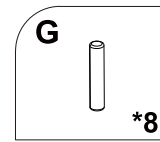
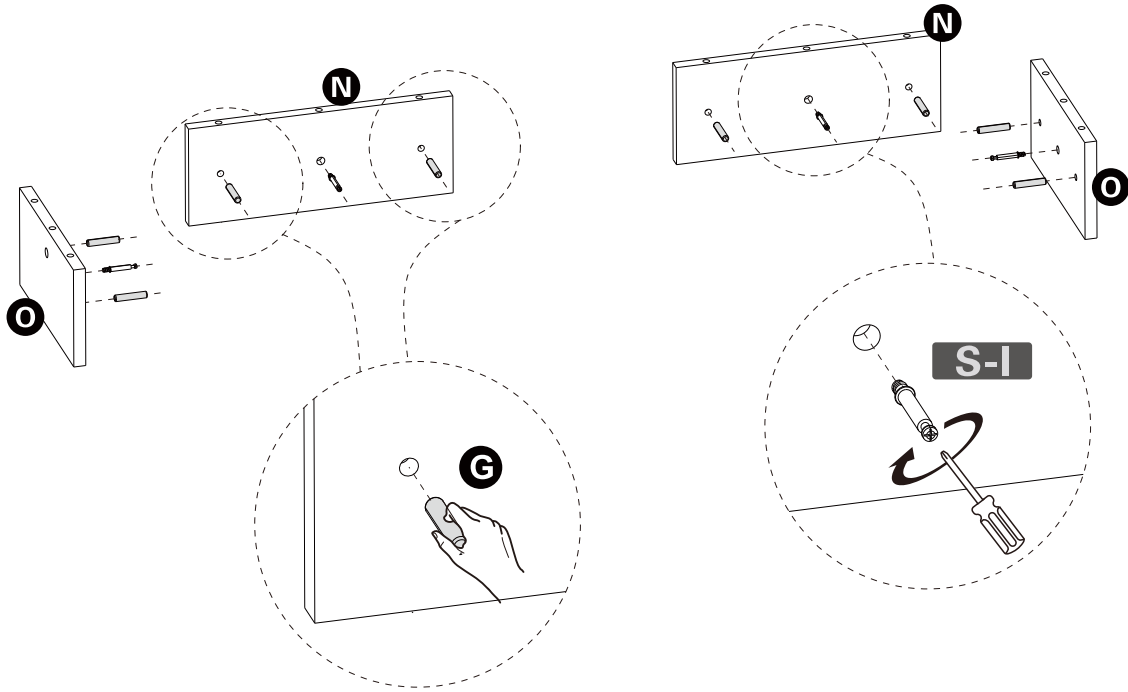
STEP 8



Mounted on the side near the motor.

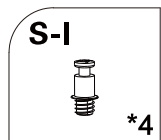
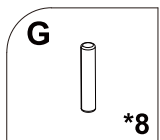
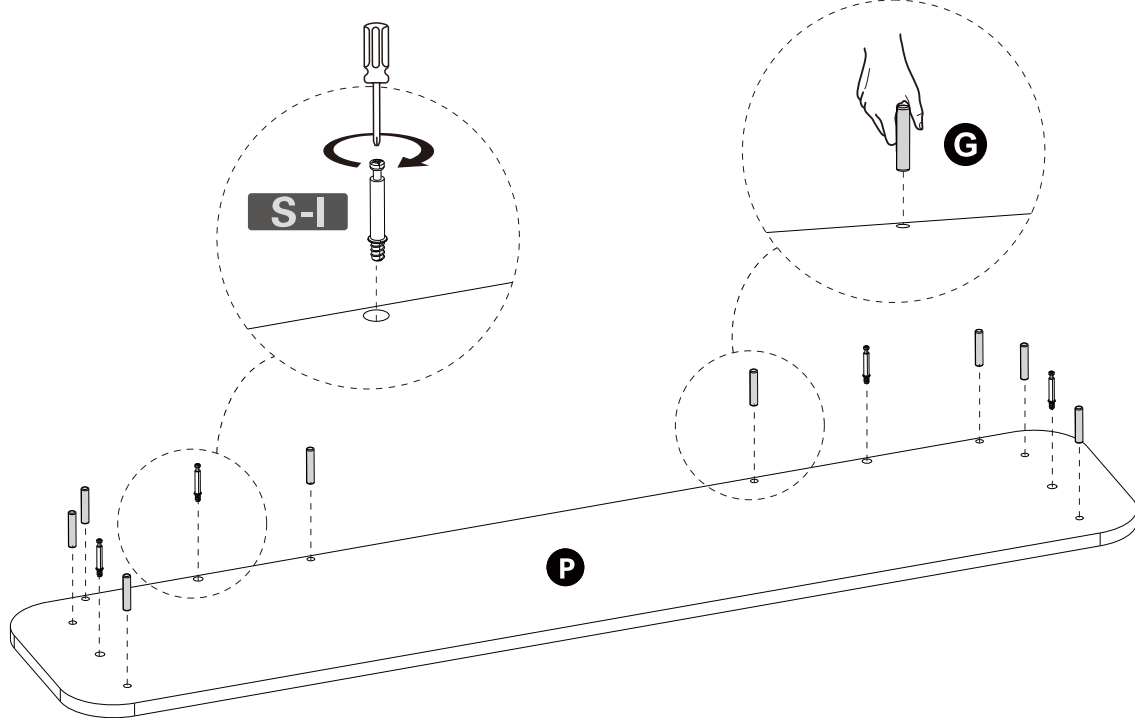
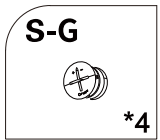
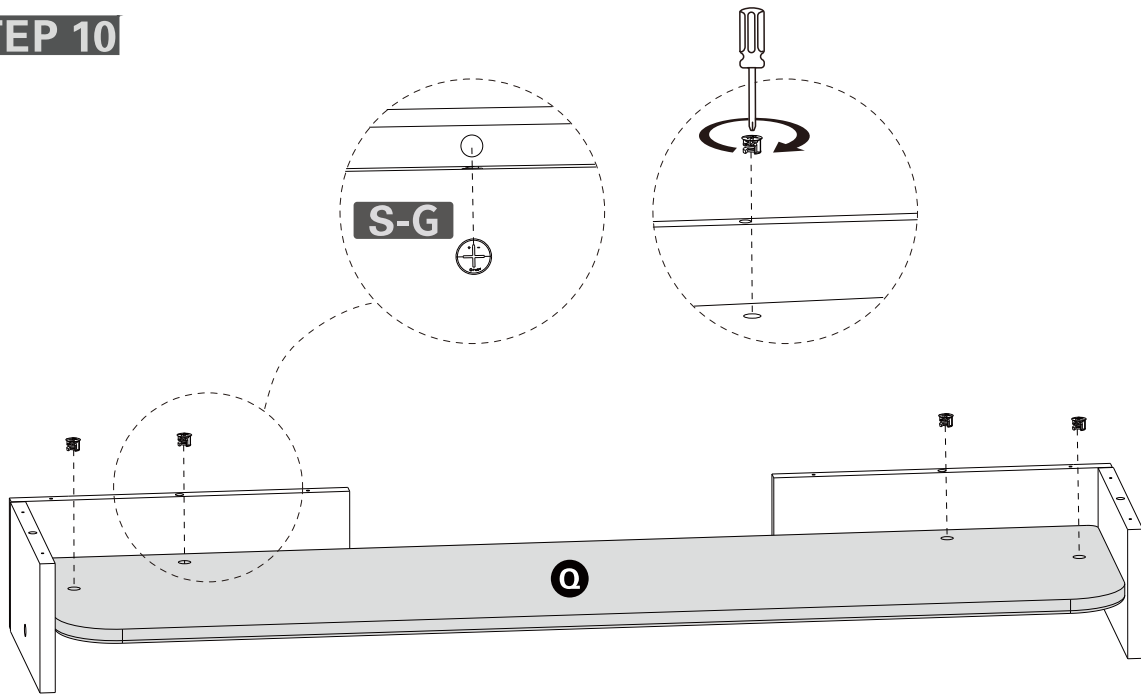


STEP 9

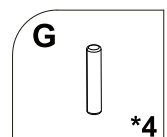
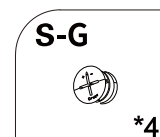
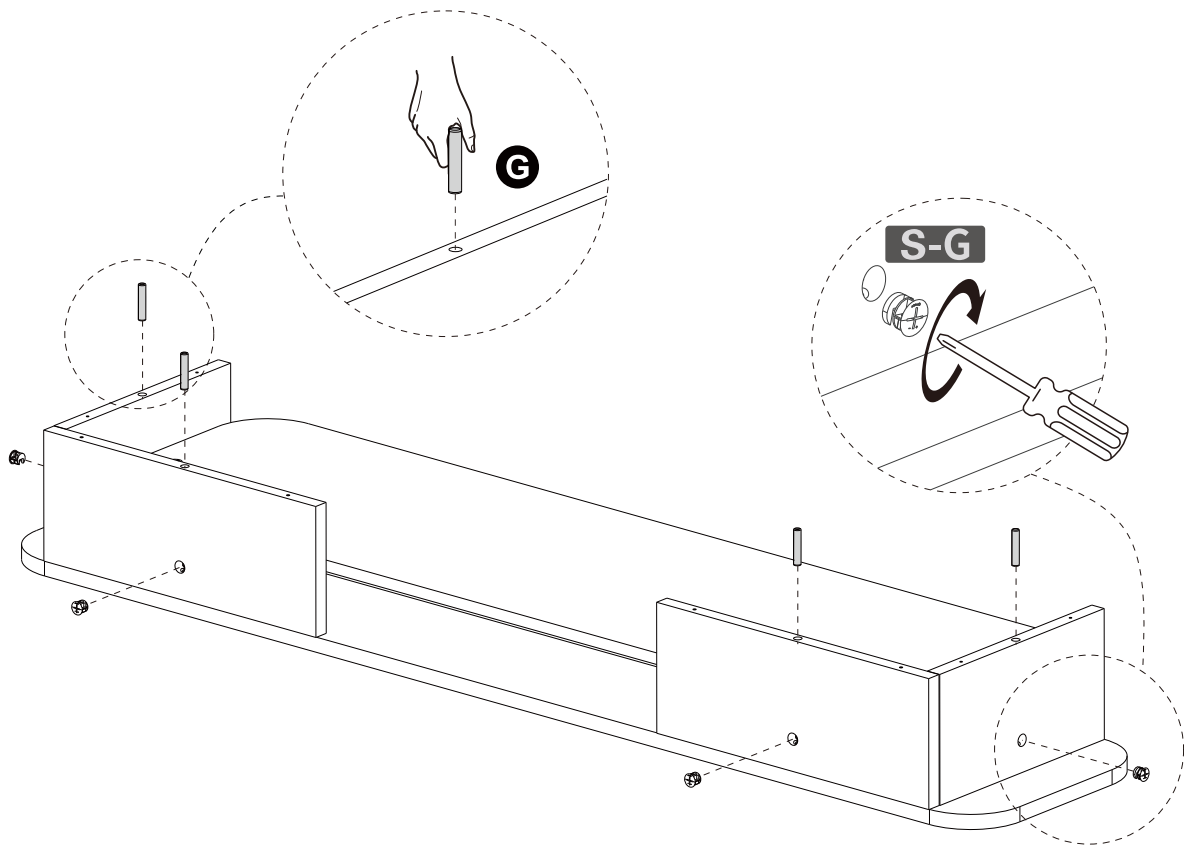
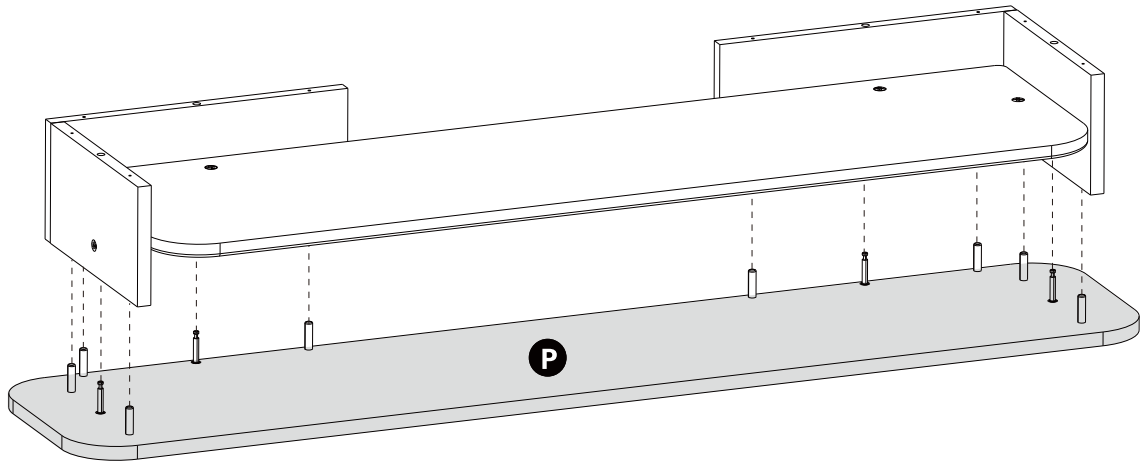


Caution: The table board **O** is reversed here.

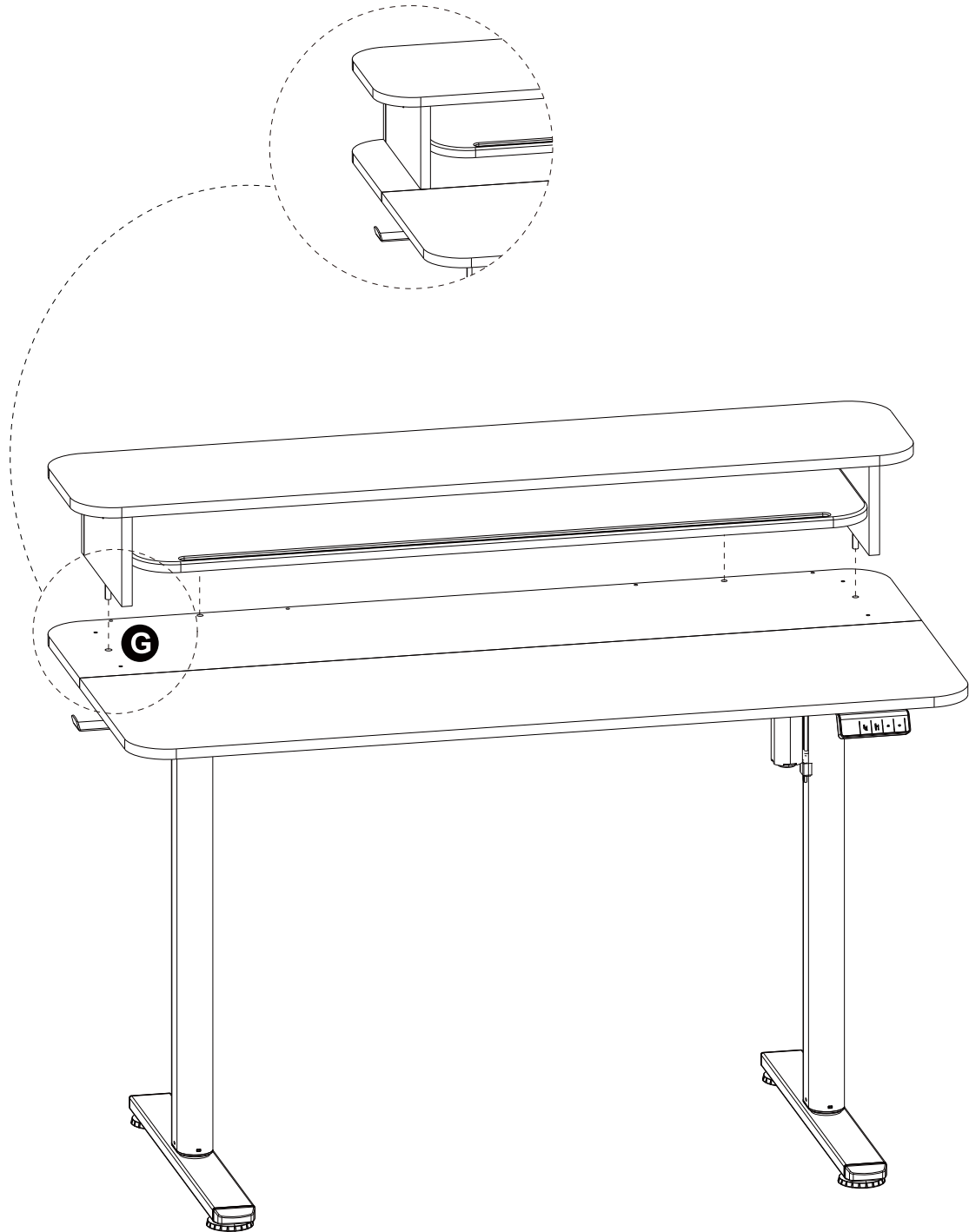
STEP 10



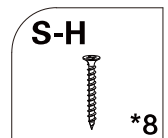
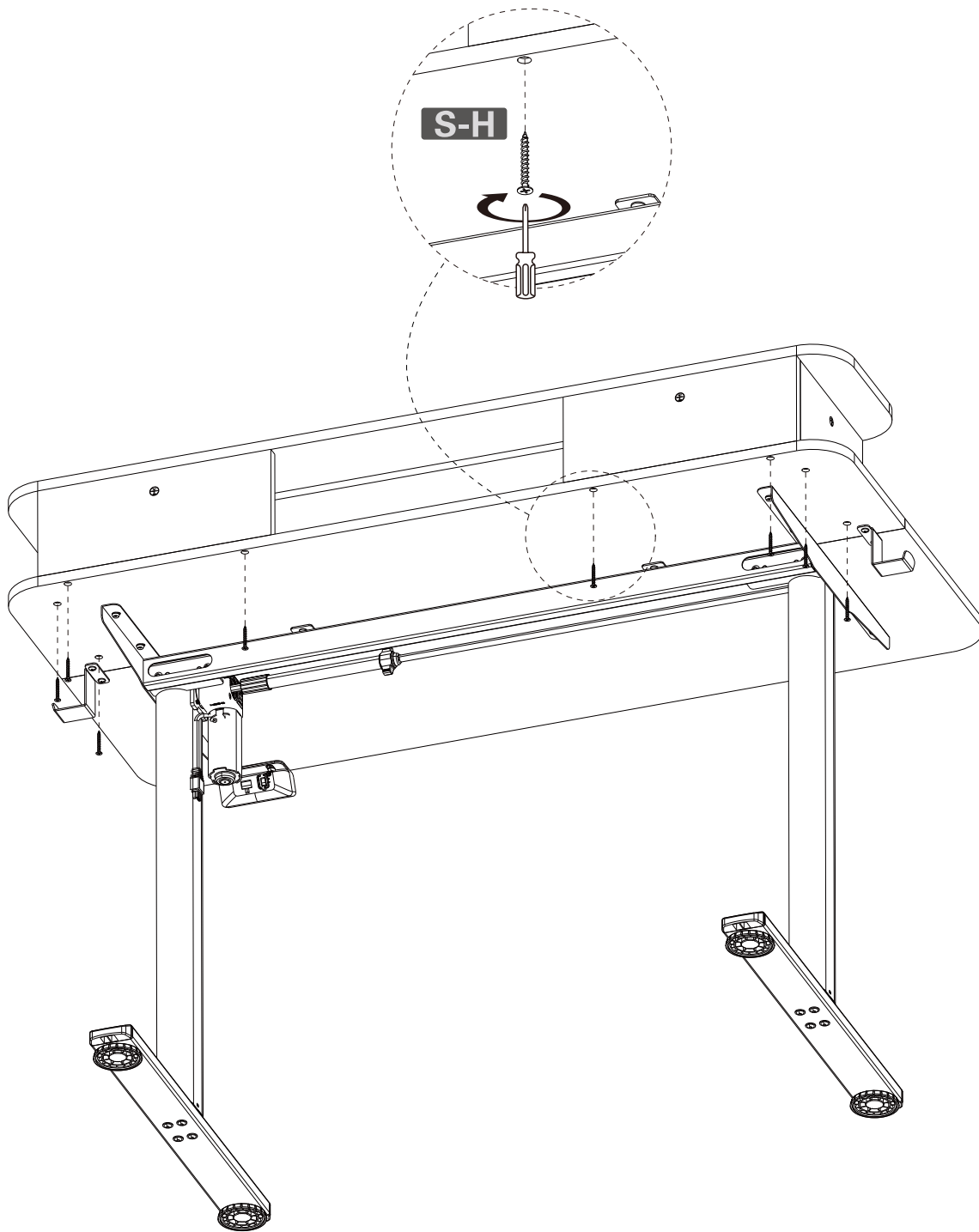
STEP 11



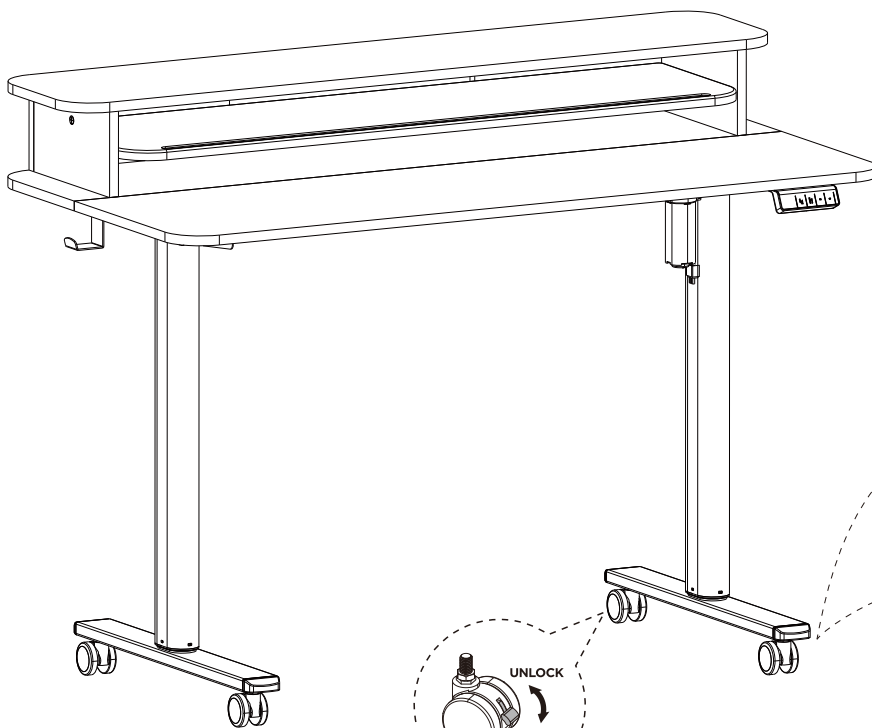
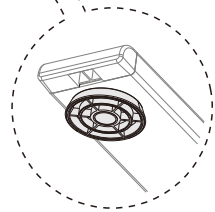
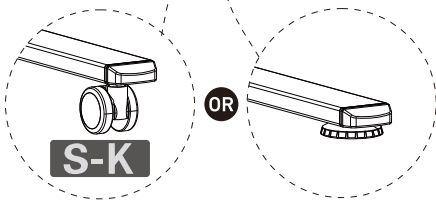
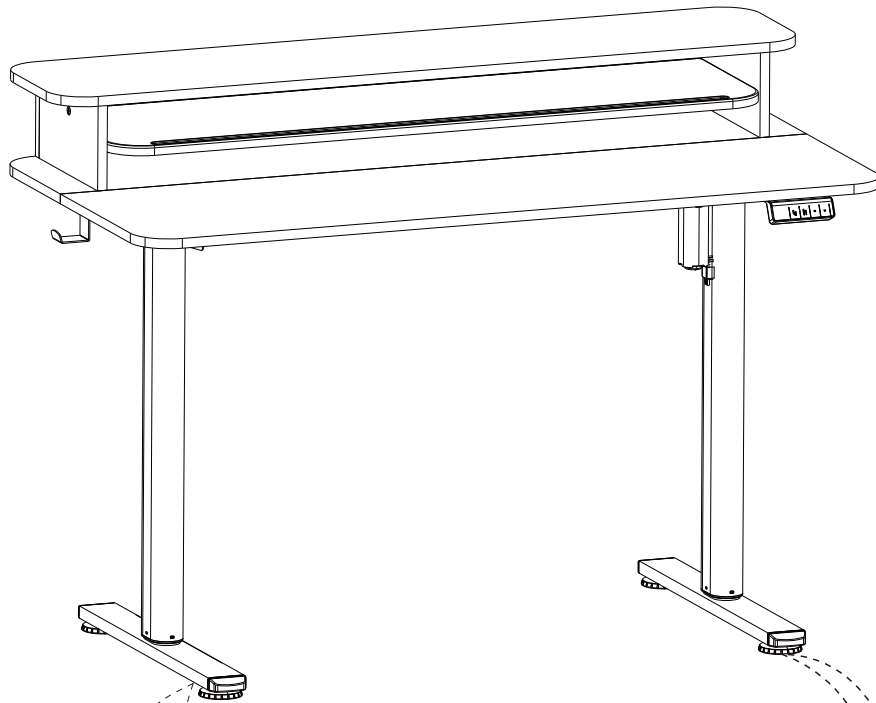
STEP 12



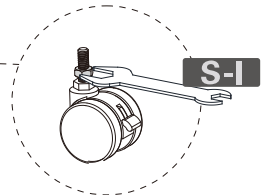
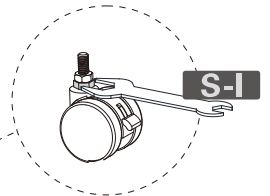
STEP 13



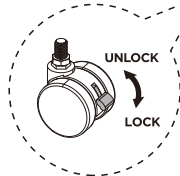
STEP 14



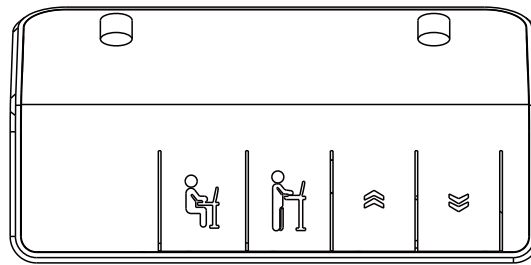
Tighten and
secure wheels



Adjustable wheel height
(uneven floor)



Control Panel Instructions



1. Operating Instructions

Press the " ⤴ " button, the desk will automatically rise to the highest position.

Press the " ⤵ " button, the desk will automatically lower to the lowest position.

Release the button to stop the desk from moving.

2. Memory Mode

To store a certain height in the memory of the controller, press and hold the " ⤴ " or " ⤵ " button for more than 5 seconds.

The display shows "S-1" if the current height is successfully stored in the " ⤴ " button, and shows "S-2" if it is successfully stored in the " ⤵ " button.

The controller can store 2 height positions in total, and this process is repeatable and will be retained even after power loss.

Once the memory positions are set, simply press either the " ⤴ " or " ⤵ " button, and the desk will automatically adjust to the corresponding height.

3. Reset Mode

If the desk's height is incorrect, press and hold the " ⤵ " button to the bottom and continue hold for 5 seconds.

At this time, the controller will display "rst", indicating that the reset process has begun. (Do not release the " ⤵ " button during this time.)

The lifting legs will descend to the lowest point and automatically rebound a distance.

Release the " ⤵ " button to complete the reset operation.

4. Child Lock

Press and hold the " ⤴ " and " ⤵ " buttons together for 5 seconds.

When the controller displays "LOC", it indicates that the system is locked, preventing height adjustment operations.



To unlock the system while it's in the locked state, need to press and hold the " ⤴ " and " ⤵ " buttons together for 5 seconds again.

When the controller display changes from "LOC" to normal numerical display, it indicates that the system has been unlocked.



5. Energy Saving Mode

If there is no button operation within 1 minute, the controller will enter energy saving mode. During this time, the controller display will turn off, and the controller will consume low power. Pressing any button will exit the energy saving mode.


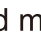
6. Menu Options Operation

Press and hold the " " and " " buttons together for 5 seconds to enter the menu options and the menu contents will blink and display.

There are a total of 7 menu items: Minimum Height Setting, Maximum Height Setting, Desktop Thickness Setting, Obstacle Protection Current Rise Sensitivity Setting, Obstacle Protection Current Descent Sensitivity Setting, Tilt Sensor Sensitivity Setting and Display Unit Setting.

Short press the " " and " " buttons together to cycle through the menu pages.

Short press the " " or " " buttons to modify the menu contents.

When setting the minimum and maximum heights, long press the " " or " " buttons to quickly modify the menu contents.


Long press the " " and " " buttons together to display a progress bar scrolling to the right.

When the progress bar reaches the end, all current menu contents will be saved. Successful saving will display "SUS", while failure will display "FAL". Exit the menu simultaneously.

Automatically exit menu mode if there is no activity for more than 10 seconds.

Menu Options	Display	Remark
Minimum Height Setting	Minimum Height	Setting Range: Basic height to maximum height. The set value should be at least 4 inches(10cm) lower than the maximum height setting.
Maximum Height Setting	Maximum Height	Setting Range: Maximum height to basic height. The set value should be at least 4 inches(10cm) higher than the minimum height setting.
Desktop Thickness Setting	0-30 CM	Setting Range: 0-30 cm, in steps of 1 cm.
	0-11.8 INCH	Setting Range: 0-11.8 inch, in steps of 0.4 inch.
Obstacle Protection Current Rise Sensitivity Setting	PC0-PC5	Setting Range: 0-5 0: Off; 1-5: Higher numbers indicate higher sensitivity.
Obstacle Protection Current Descent Sensitivity Setting	DC0-DC5	Setting Range: 0-5 0: Off; 1-5: Higher numbers indicate higher sensitivity.
Tilt Sensor Sensitivity Setting	SS0-SS5	Setting Range: 0-5 0: Off; 1-5: Higher numbers indicate higher sensitivity.
Display Unit Setting	U-0	Metric units (CM)
	U-1	Imperial units (INCH)

7. Troubleshooting

Error Code	Description/Resolution
rst	Press the and hold the "  " button to perform a reset.
Hot	The desk is overheated. Allow the desk to rest for more than 18 minutes before operating.