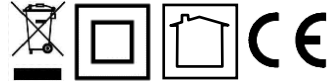
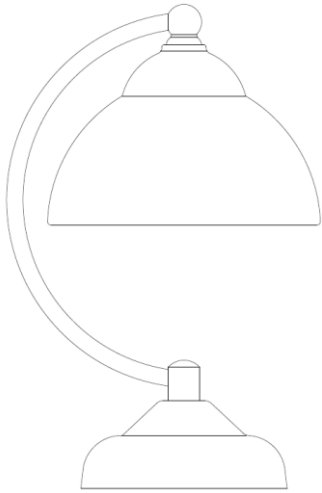


# Stamford Crescent Table Lamp Glass Shade



**LSE Retail Group Ltd**  
**M30 9QG UK**  
**Customer Service:**  
**0161 832 4957**

## IMPORTANT:

- Mains Voltage: 220 ~ 240V – 50Hz
- This lamp is double insulated (Class II) and does not require an earth connection.

## USER ADVICE

- Keep all packaging until after a successful installation and retain instructions for future use
- The design of the lamp may vary slightly from the illustration.

## LOCATION:

- Indoor use only
- Ensure the lamp is in a location where the power cable will not cause an accident
- Place lamp on a level surface.

## INSTALLATION:

- Unpack all components onto a flat surface that will not damage them or allow them to become dirty.
- Fit the shade and secure with the shade ring (Dia.1)
- Insert the bulbs (do not exceed the wattage indicated on the wattage label) (Dia.2)
- Insert the plug into the wall socket and switch on. (Dia.3)

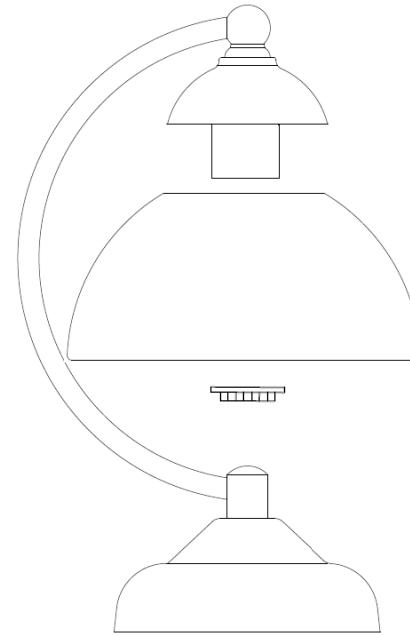
## SAFETY:

- Before inserting or replacing bulbs make sure that the light is unplugged and has cooled down.
- Always disconnect from the mains after use & before cleaning or servicing.

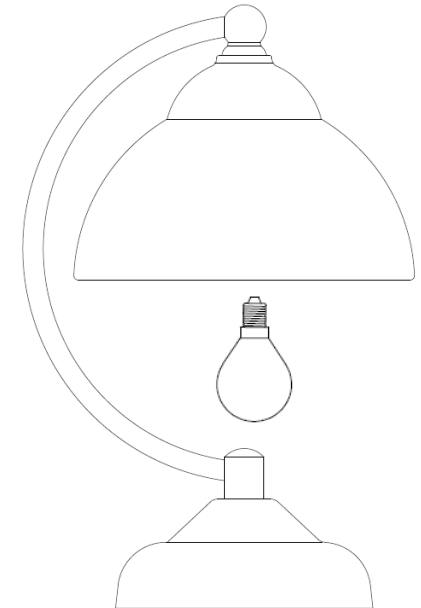
**THE EXTERNAL FLEXIBLE CABLE OR CORD OF THIS LUMINAIRE CANNOT BE**



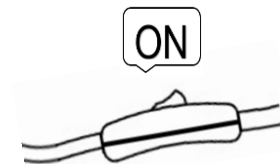
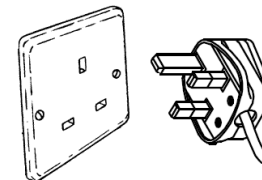
**DIA.1**



**DIA.2**



**DIA.3**



No: 25661 / 25662  
**ISSUED ON 09/06/2020**  
M30 9QG UK