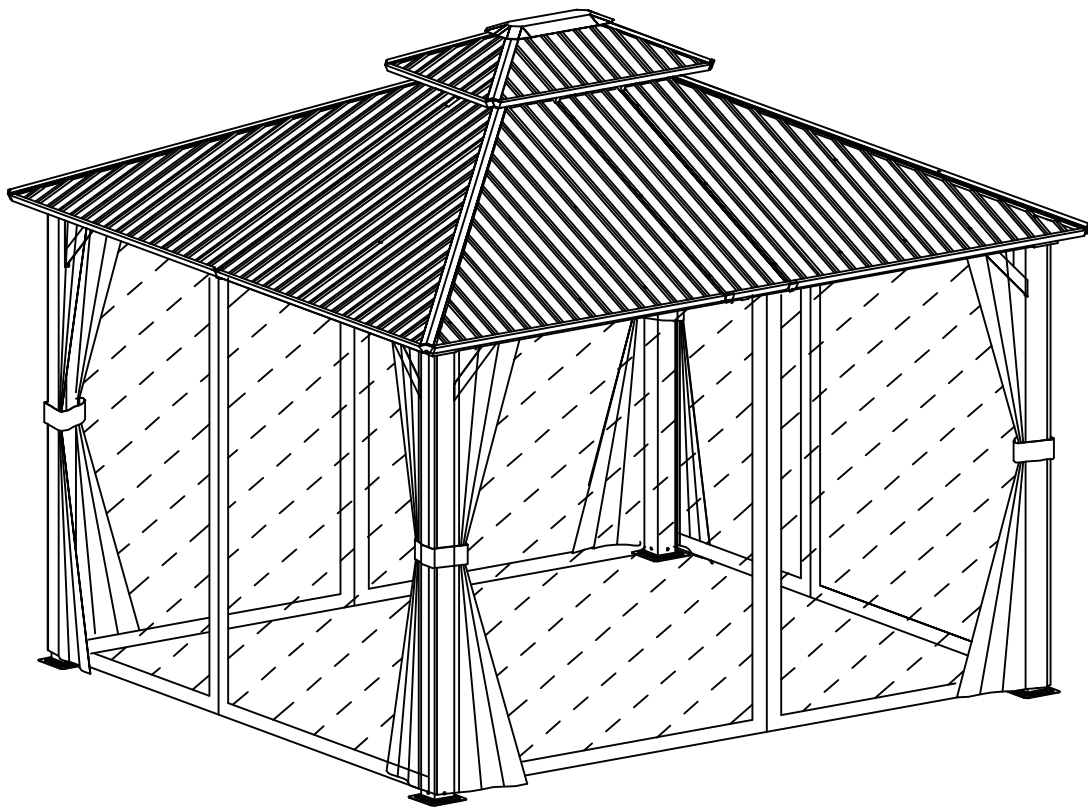


INSTRUCTION

HARDTOP GAZEBO WITH NETTING 1214

If you have any questions about the hardtop gazebo with netting 1214, please feel free to contact us.
Customer Service Email: Service@alaulm.com



SKU:P25009-D1

IMPORTANT

PLEASE READ BEFORE YOU COMMENCE ASSEMBLY

Follow the guidelines in this user guide to ensure correct
assembly and care for this product.

Catalog

Notice	03
Warning	03
Specifications	05
Exploded Views	06
Part List	08
Extra	10
How to Assemble the hardtop gazebo with netting 1214	11

NOTICE

Please prepare below tools before installation.

The following tools are not included and needed for assembly:



Pistol Drill

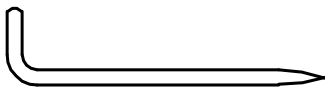


Tape Measure



Ladder

Package included Tools:



Screw Driver



Gloves

Warning

We recommend two adults to complete the installation. Two adults installed together will make the installation process easier and safer.

The gloves must be carried to prevent hand cuts during installation. Take care when using power tools near water the use of a residual current device(RCD) is advised. Please use the electric driver carefully during screwing to prevent the screw from slipping and hurting your hand.

We recommend that beginners use a manual screwdriver for installation.

Be careful not to fall when installing the roof. Please steady the ladder and make sure the product placed on a flat ground.

PLEASE KEEP THIS INSTRUCTION FOR FUTURE REFERENCE.

PLEASE RETAIN THESE INSTRUCTIONS FOR FUTURE REFERENCE.

Dear Customer,

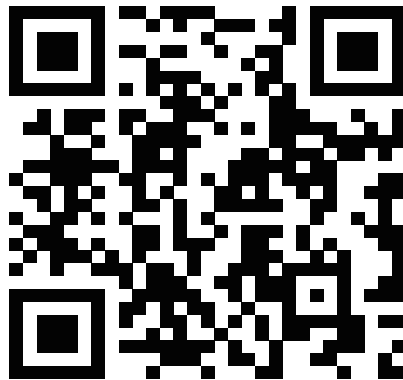
Thank you for shopping with us!

When you receive the product, please make sure that all the parts are intact. Then please browse the entire installation manual before assembling.

If any problem occurs unsatisfactorily as follows:

- A.The outer box is damaged
- B.The product is damaged / bent / cracked while you open the box
- C.The parts / accessories / assembly tools are missing
- D.The product is hard to assemble
- E. The instructions are not clear and can not be referred
- F.The product has functional problems
- G.Other aspects that you are not satisfied with

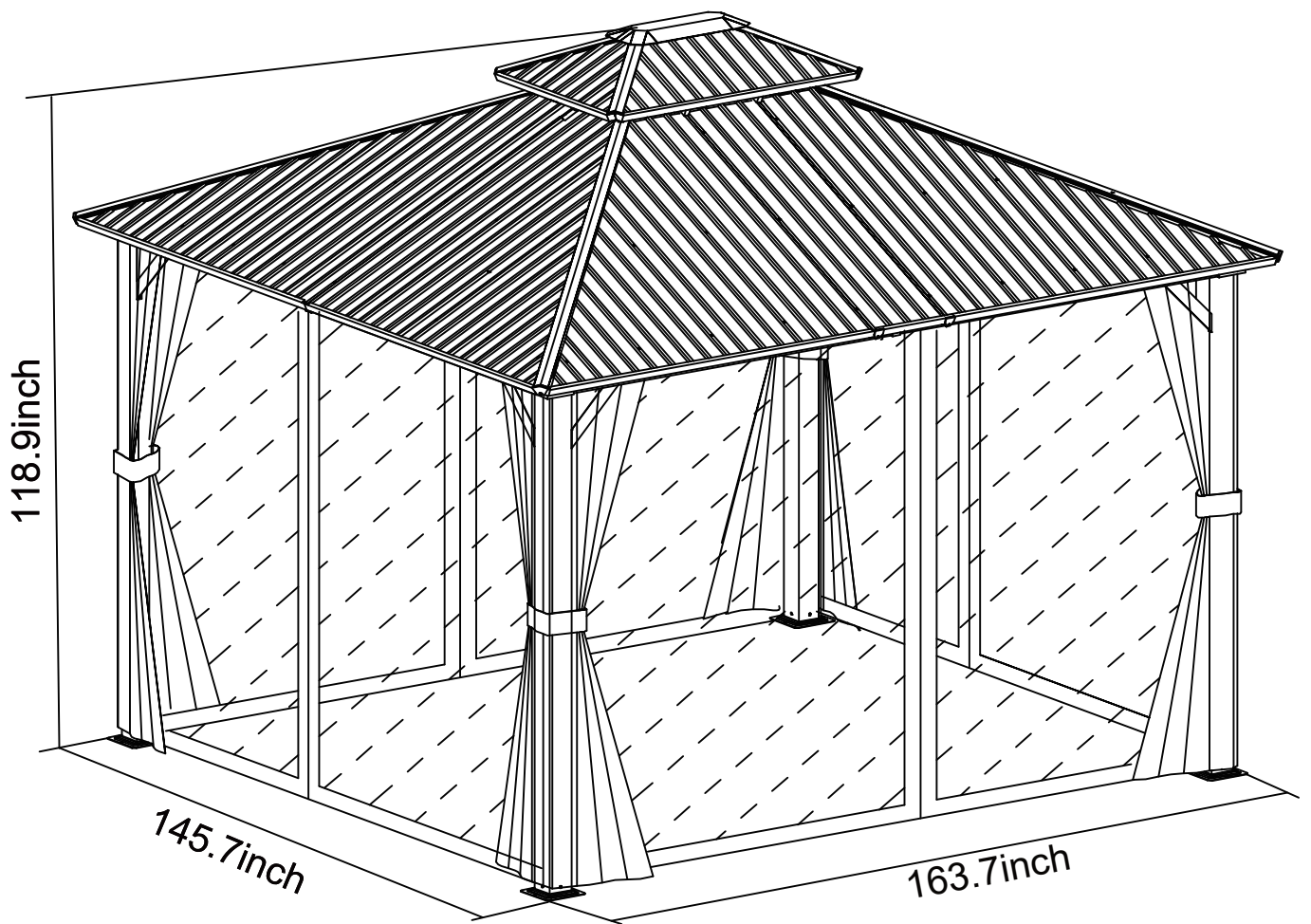
Please feel free to contact us for help. Our after-sales team service (**Service@alaulm.com**) will reply within 24 hours and will do our best to resolve the problem for you.



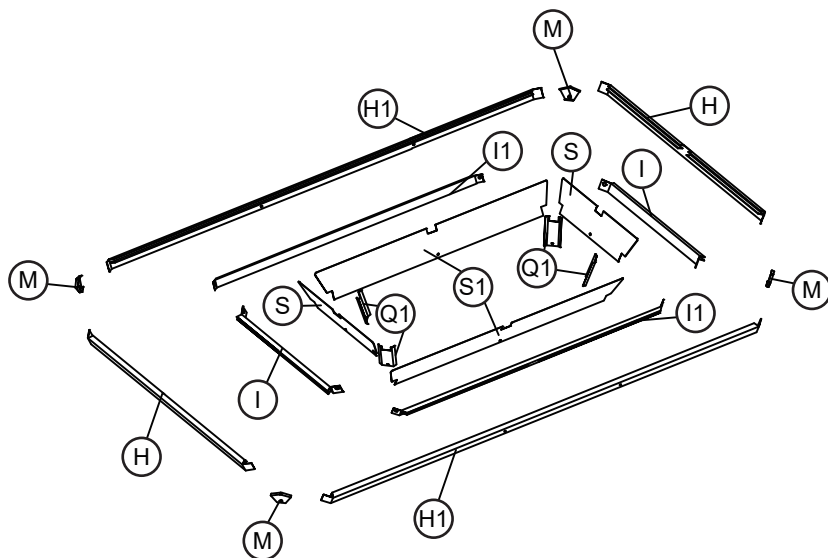
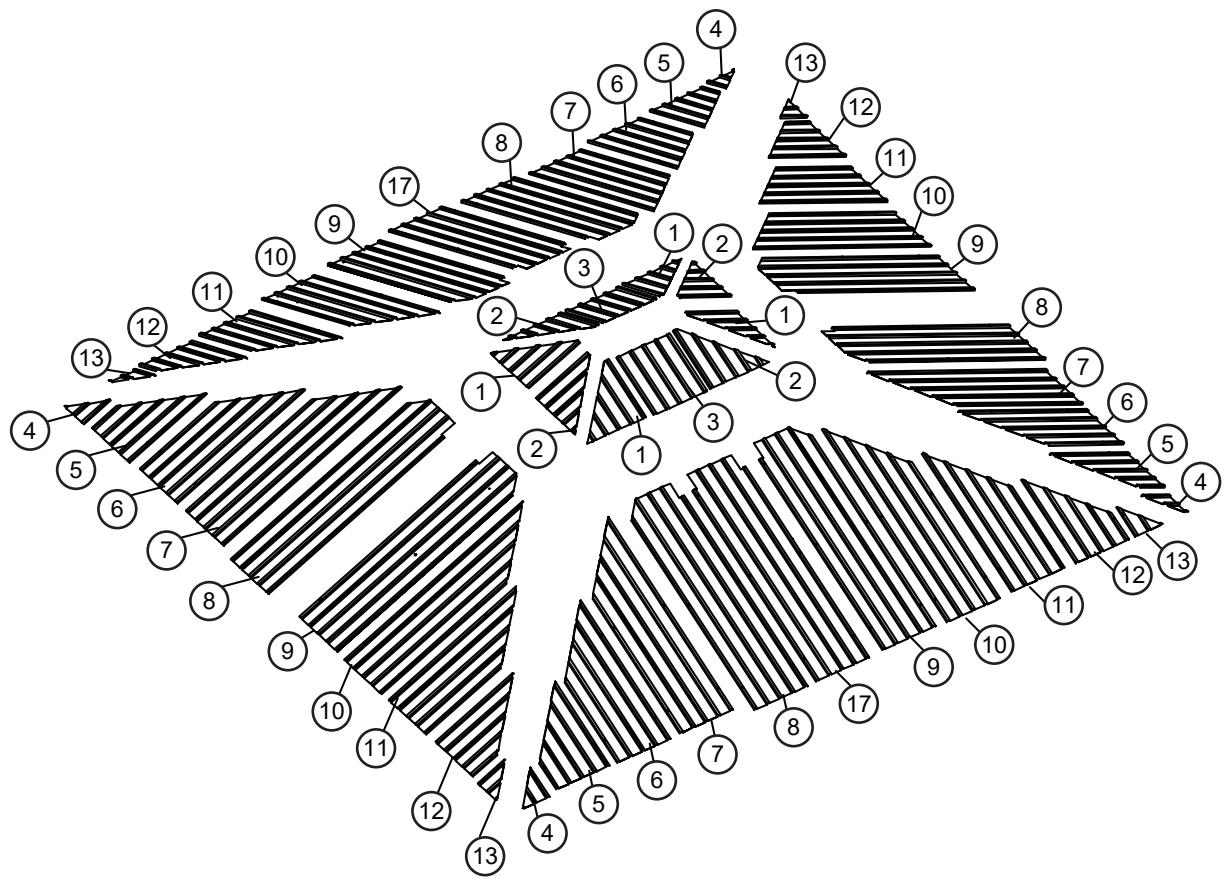
Attention:

- 1.Please fix all the screws first,do not lock them off,after assembling is fully completed, lock all at once finally.
- 2.Please check the manual carefully and make sure you have received all the parts.
- 3.If there is any missing,please let us know the letter of the parts you need.
- 4.If there is any damage,please send clear photos to us,and we will check and offer you best solution soon.

SPECIFICATIONS



EXPLODED VIEW


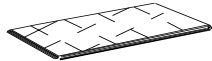

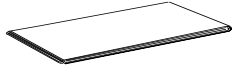





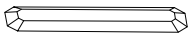

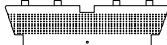

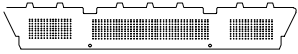



PART LIST

PART LIST(BOX A)









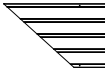

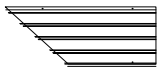







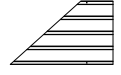
Label No.	PART	Qty	Label No.	PART	Qty
A		4	D2		4

PART LIST(BOX B)


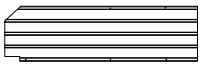
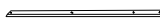


Label No.	PART	Qty	Label No.	PART	Qty
A1		4	18A		4
B		2	19A		4
B1		2	J		4
C		2	K		1
C1		2	K1		1
D		4	S		2
G		4	S1		2
G1		4			

PART LIST(BOX C)




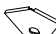


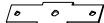






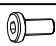



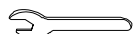
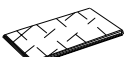
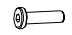
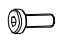

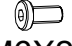


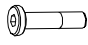

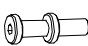
PART LIST

PART LIST(BOX C)					
Label No	PART	Qty	Label No.	PART	Qty
1		4	13		4
2		4	D1		4
3		2	G2		2
4		4	H		2
5		4	H1		2
6		4	I		2
7		4	I1		2
10		4	L1		4
11		4	L2		4
12		4			

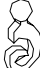
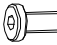


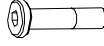

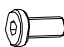
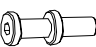
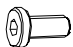
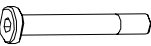

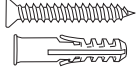
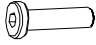
PART LIST(BOX D)

Label No.	PART	Qty	Label No.	PART	Qty
8		4	X2		2
9		4	F		8
17		2	F1		2
E		6	L3		4
E1		6	L4		4
X1		2			

Srew Set (BOX B)

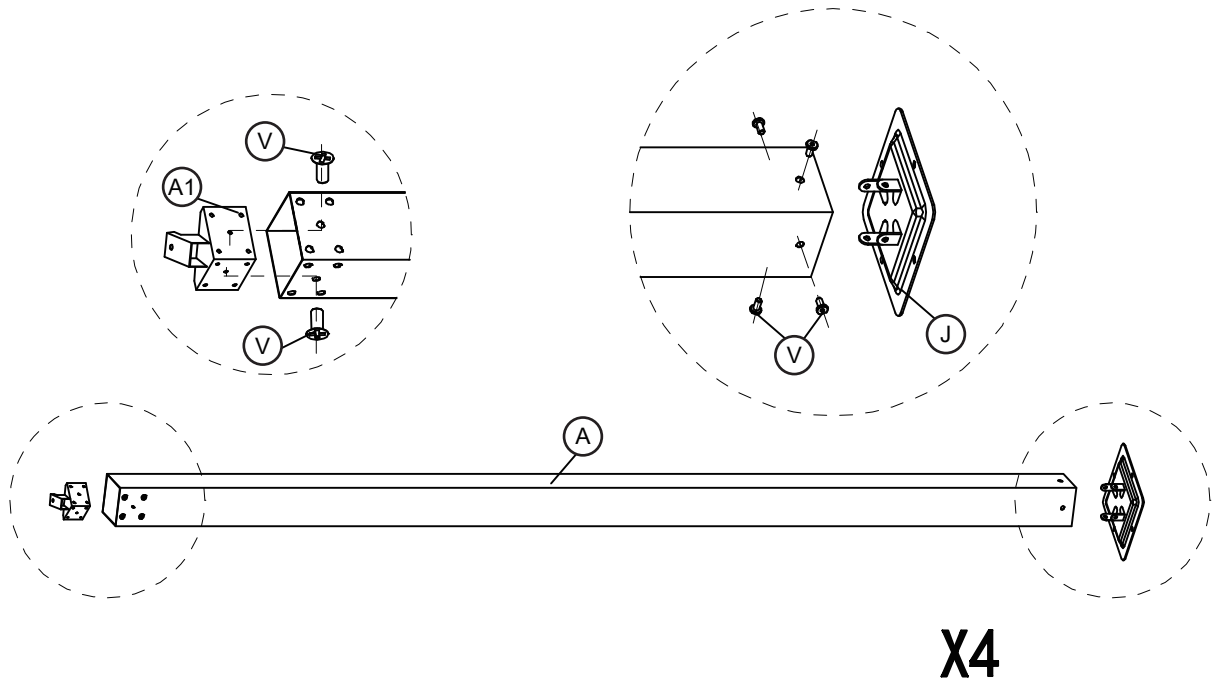
	PART	Qty	Label No.	PART	Qty	Label No.	PART	Qty
L		4	Q1		4	Z	 4.8X12	8
M		8	R		120	Z1		2
N		6	T		6	Z2		1
N1		4	U		66	Z3		70
O		6	V	 M6X15	204	Z4		16
P		4	V1	 M6X130	8	Z5		1
18A		4	V3	 M6X55	16	Z6	 M6X20	4
19A		4	W	 M6X25	44	Z7		8
20		16	X	 M6X48	22			
Q		4	Y		32			

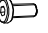
Extra(Srew Set)

Label No.	PART		Label No.	PART		Label No.	PART	Qty
R		10	W	 M6*25	3	Z3		3
U		2	X	 M6*48	2	Z4		1
V	 M6*15	10	Y		1	Z6	 M6*20	1
V1	 M6*130	1	Z	 4.8X12	1	20		1
V3	 M6*55	1						

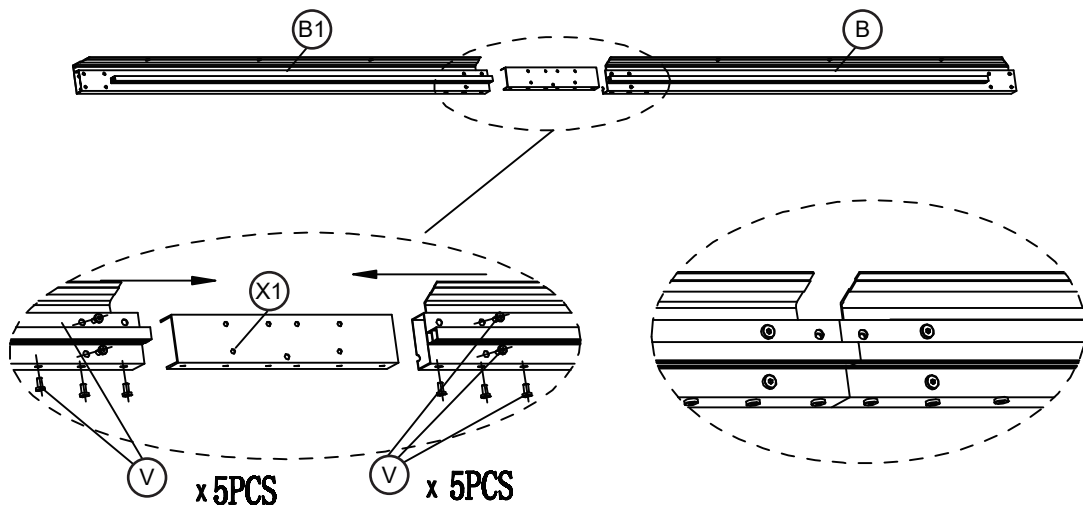
Installation steps


STEP 1




M6x15
Vx24PCS

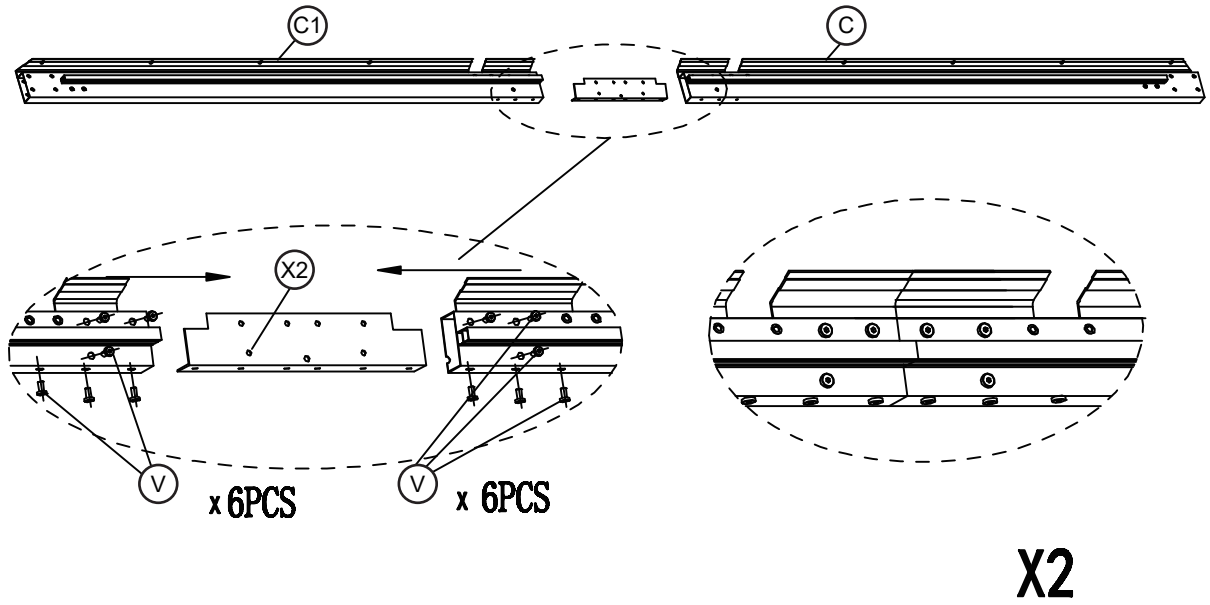
STEP 2

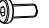



M6x15
Vx20PCS

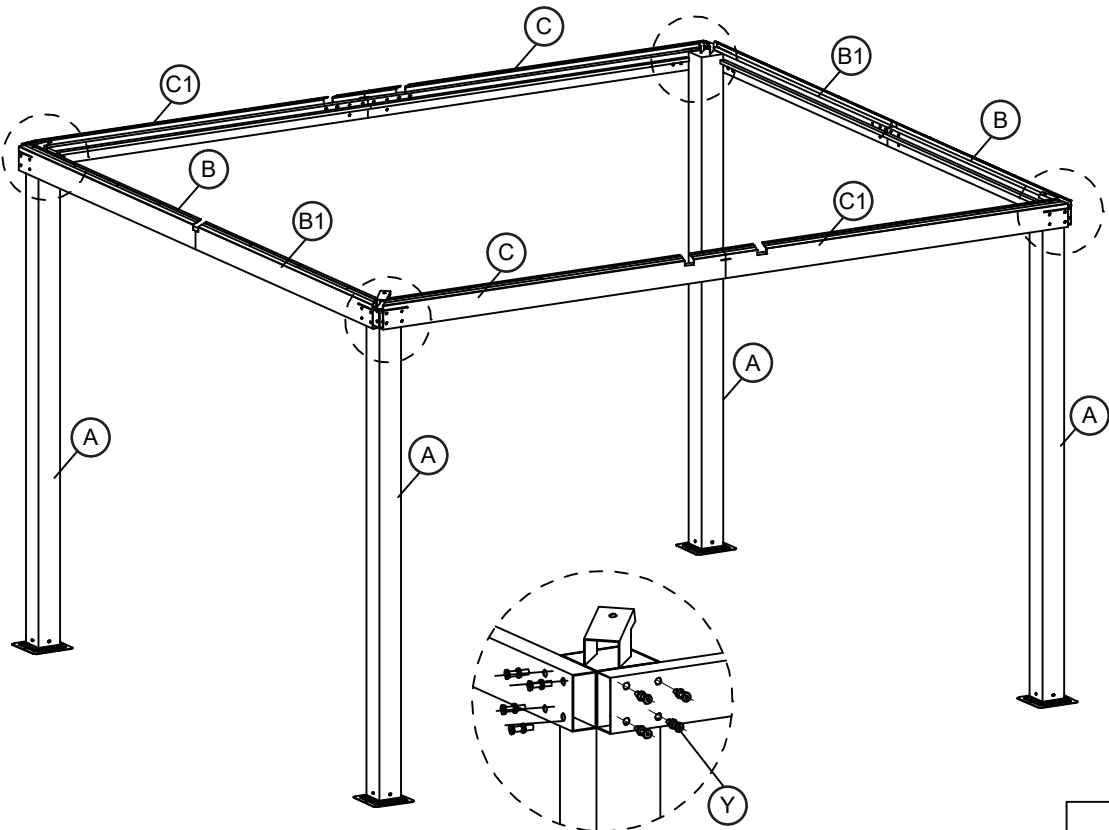
Installation steps


STEP 3




M6x15
Vx24PCS

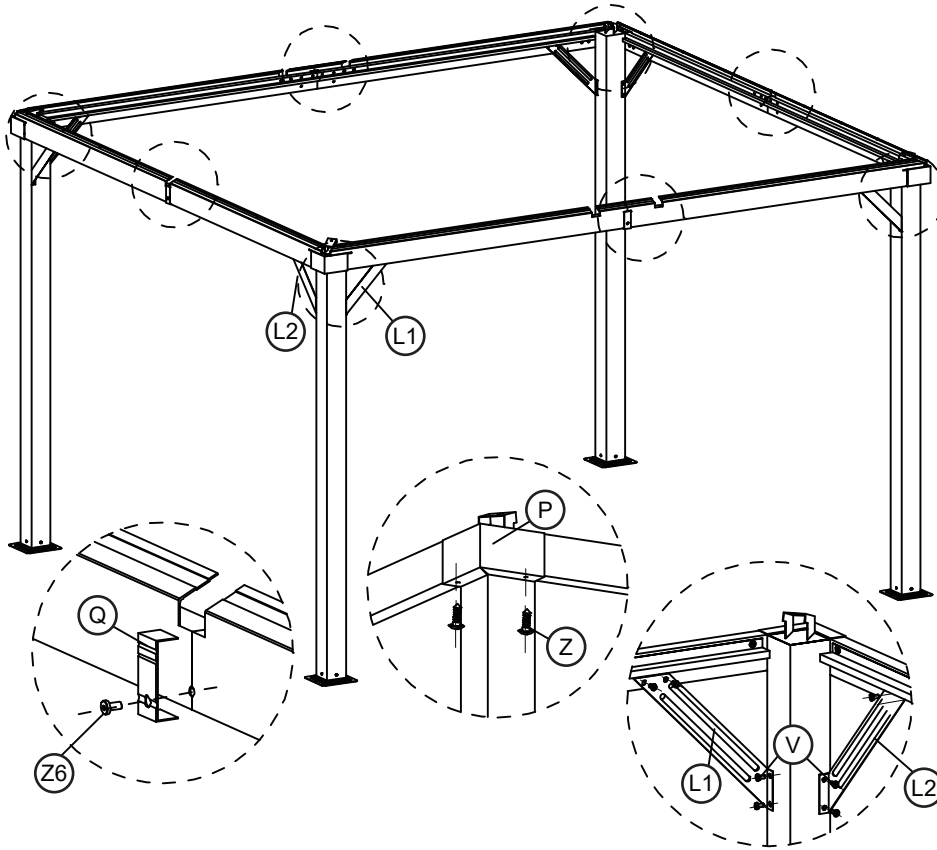
STEP 4




Yx32PCS

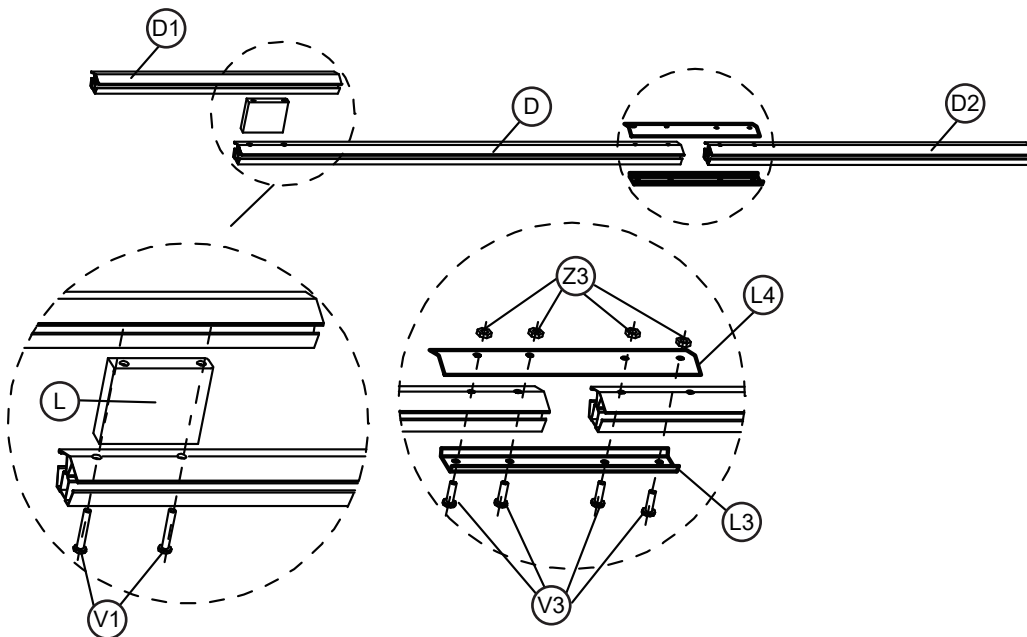
Installation steps

STEP 5



	M6x15 Vx32PCS
	Zx8PCS
	M6x20 Z6x4PCS

STEP 6

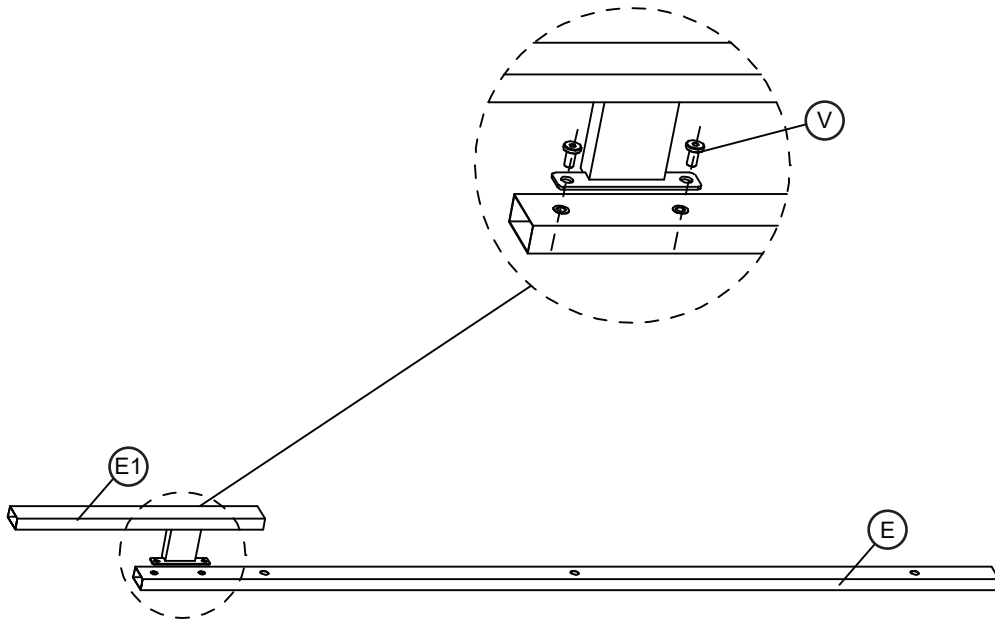


	M6x130 V1x8PCS
	M6x55 V3x16PCS
	Z3x16PCS

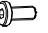
X4

Installation steps

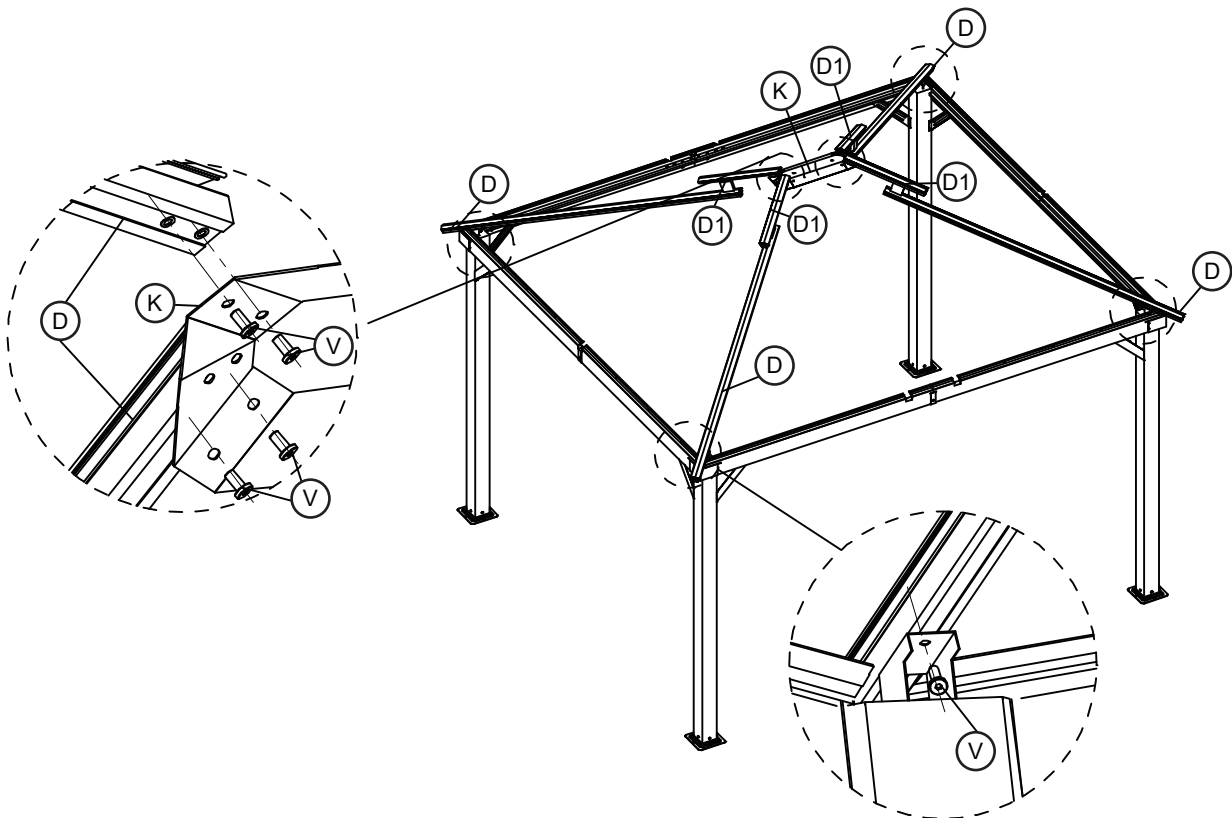
STEP 7



X6


M6x15
Vx12PCS

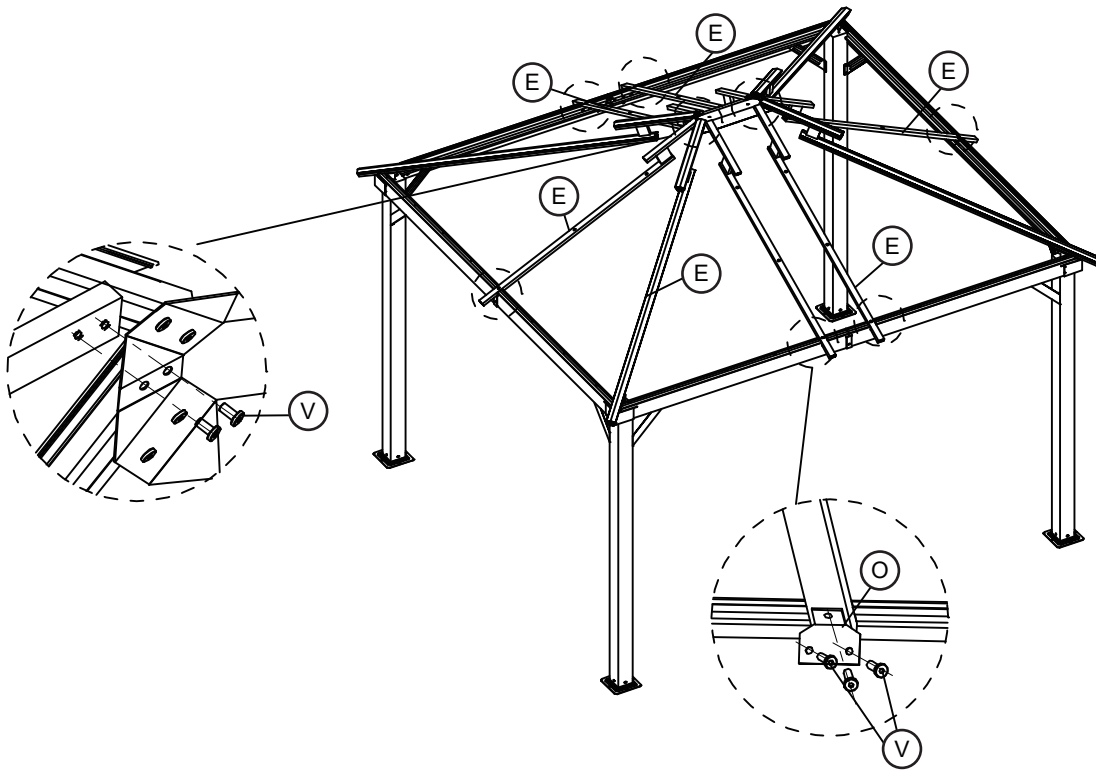
STEP 8





M6x15
Vx12PCS

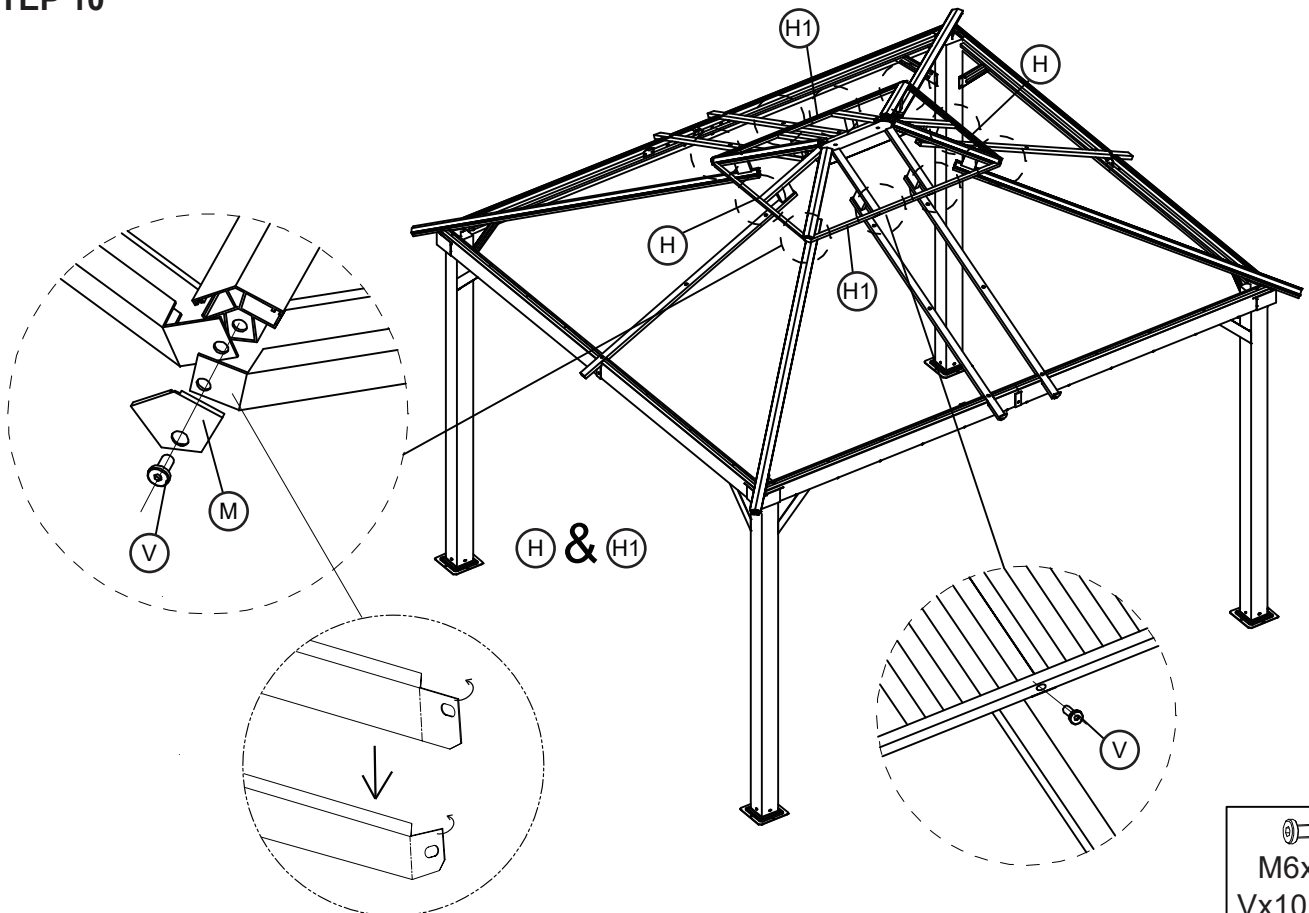
Installation steps

STEP 9




M6x15
Vx30PCS

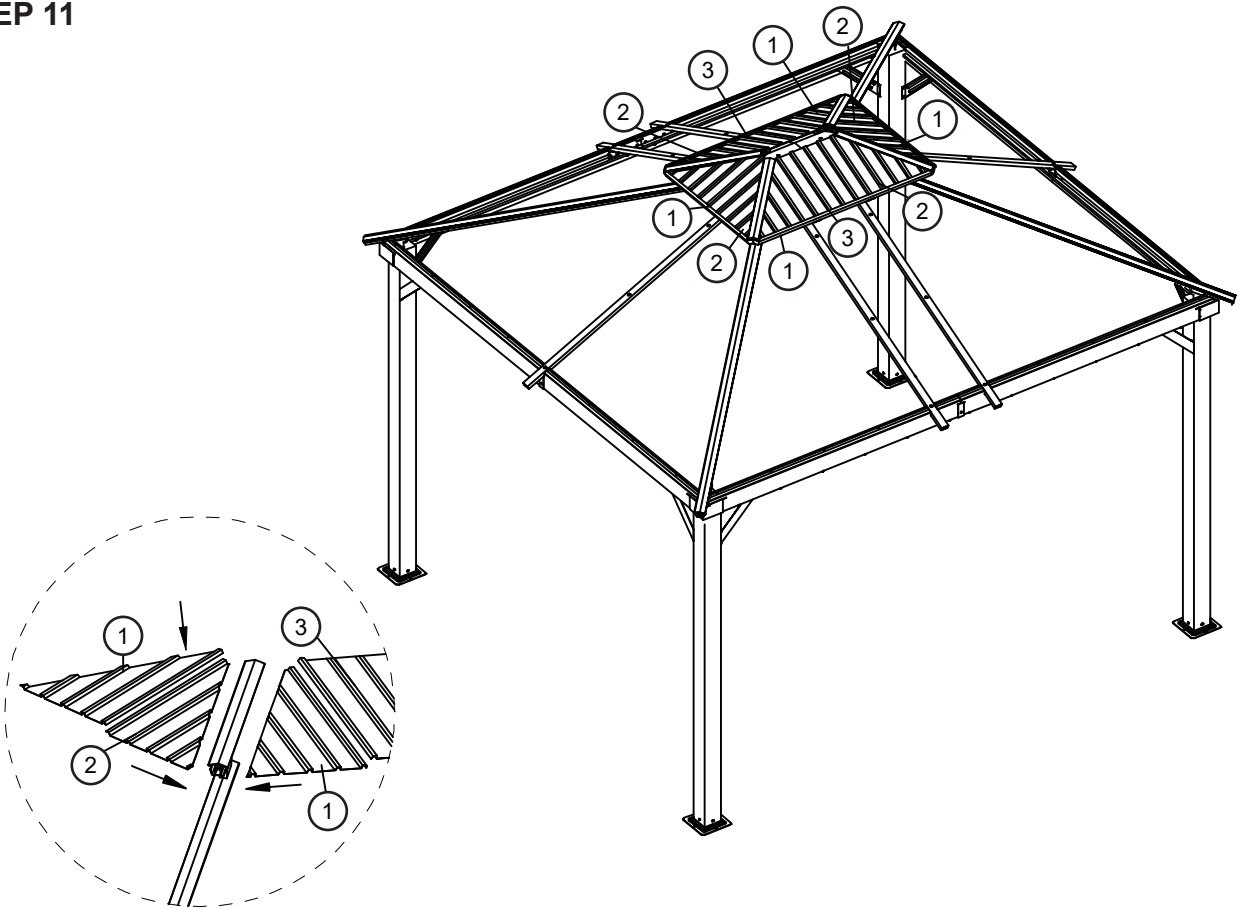
STEP 10



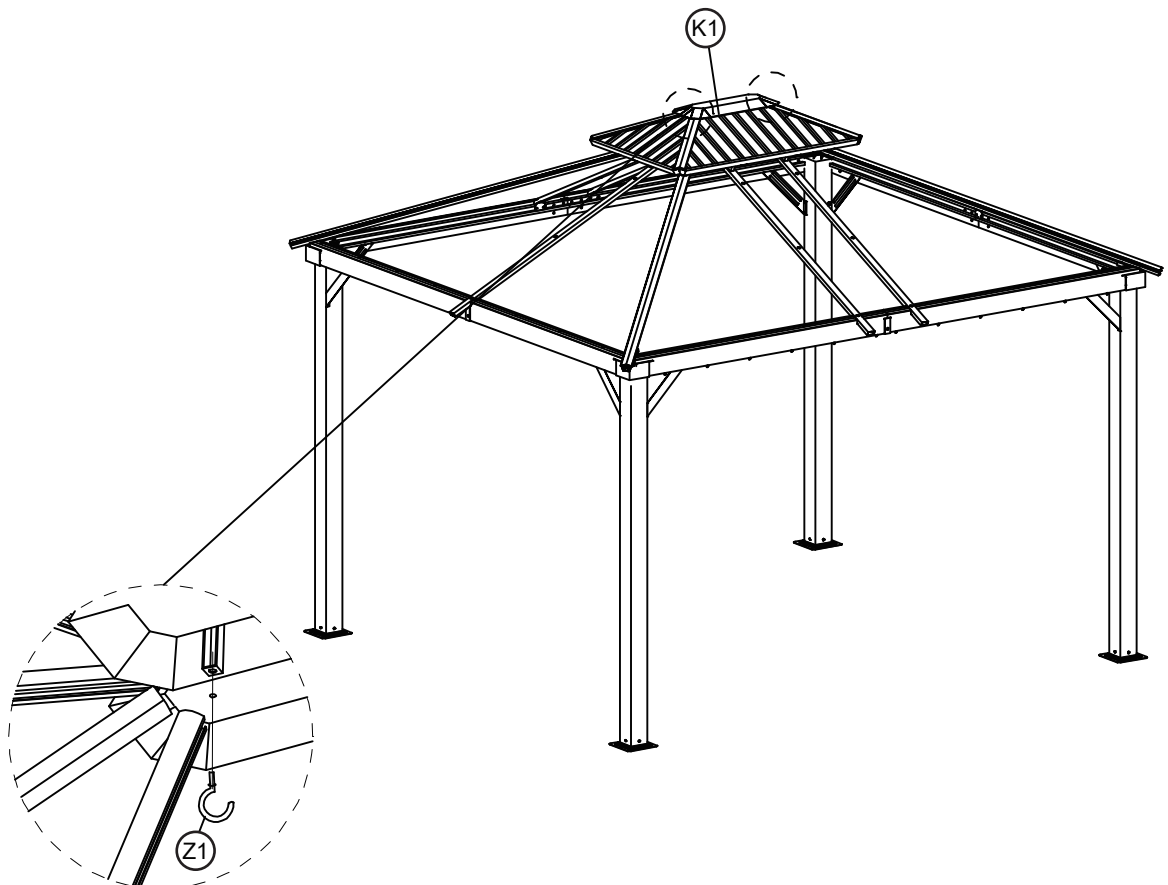

M6x15
Vx10PCS

Installation steps

STEP 11

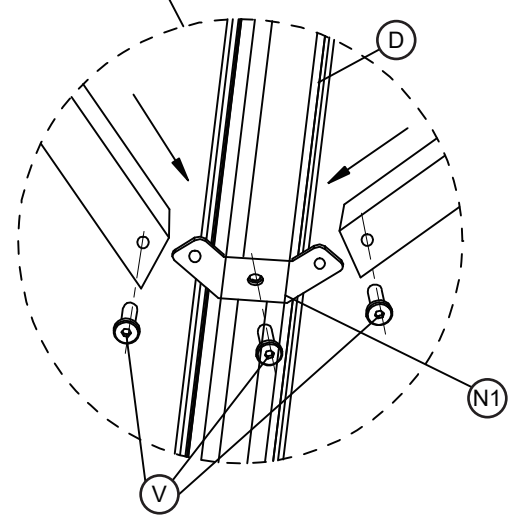
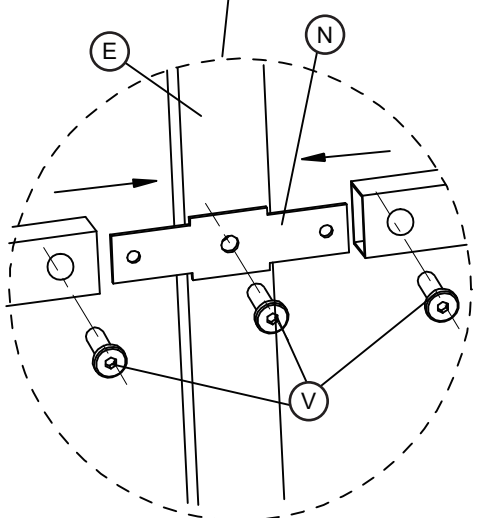
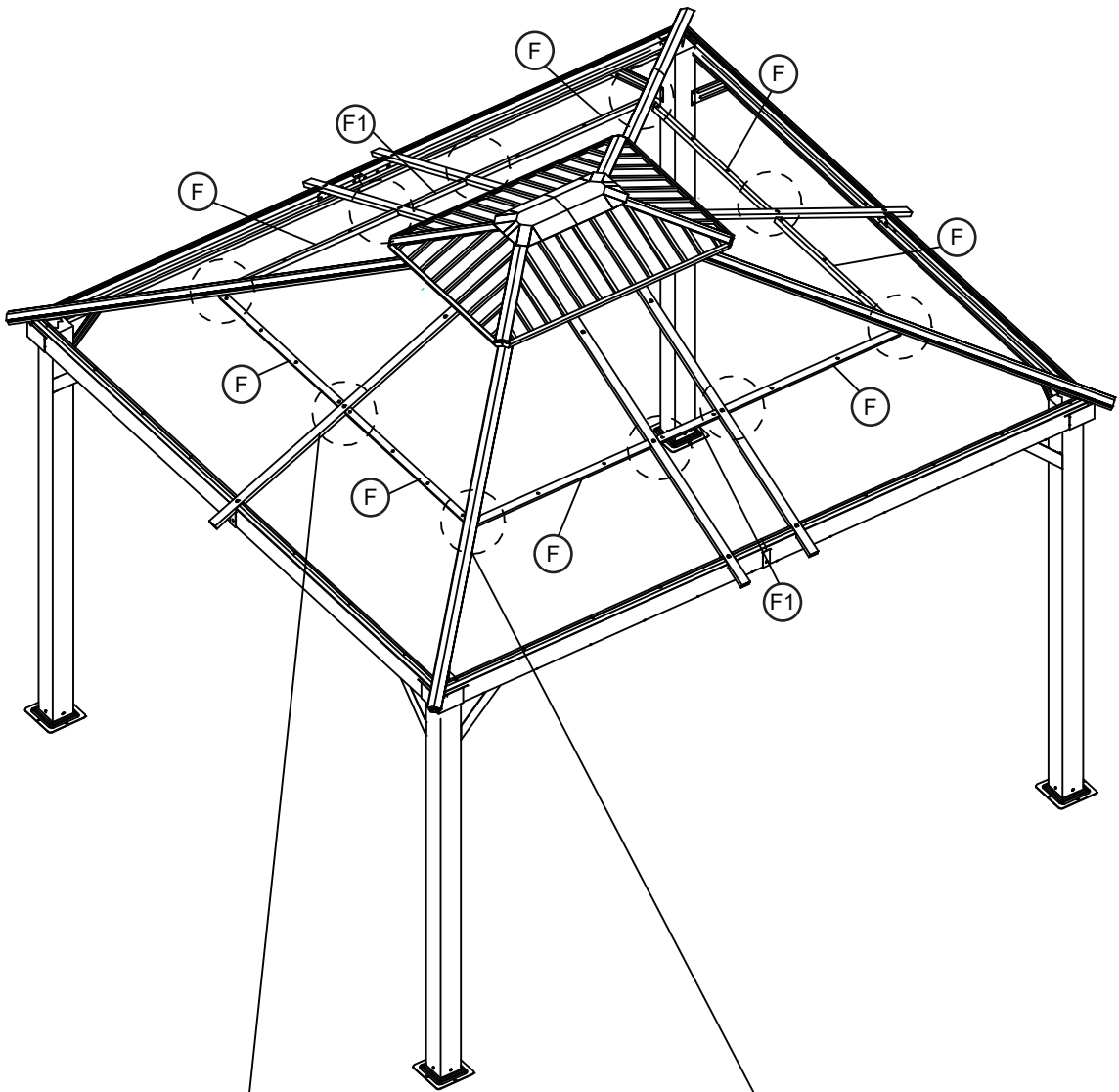



STEP 12



Installation steps

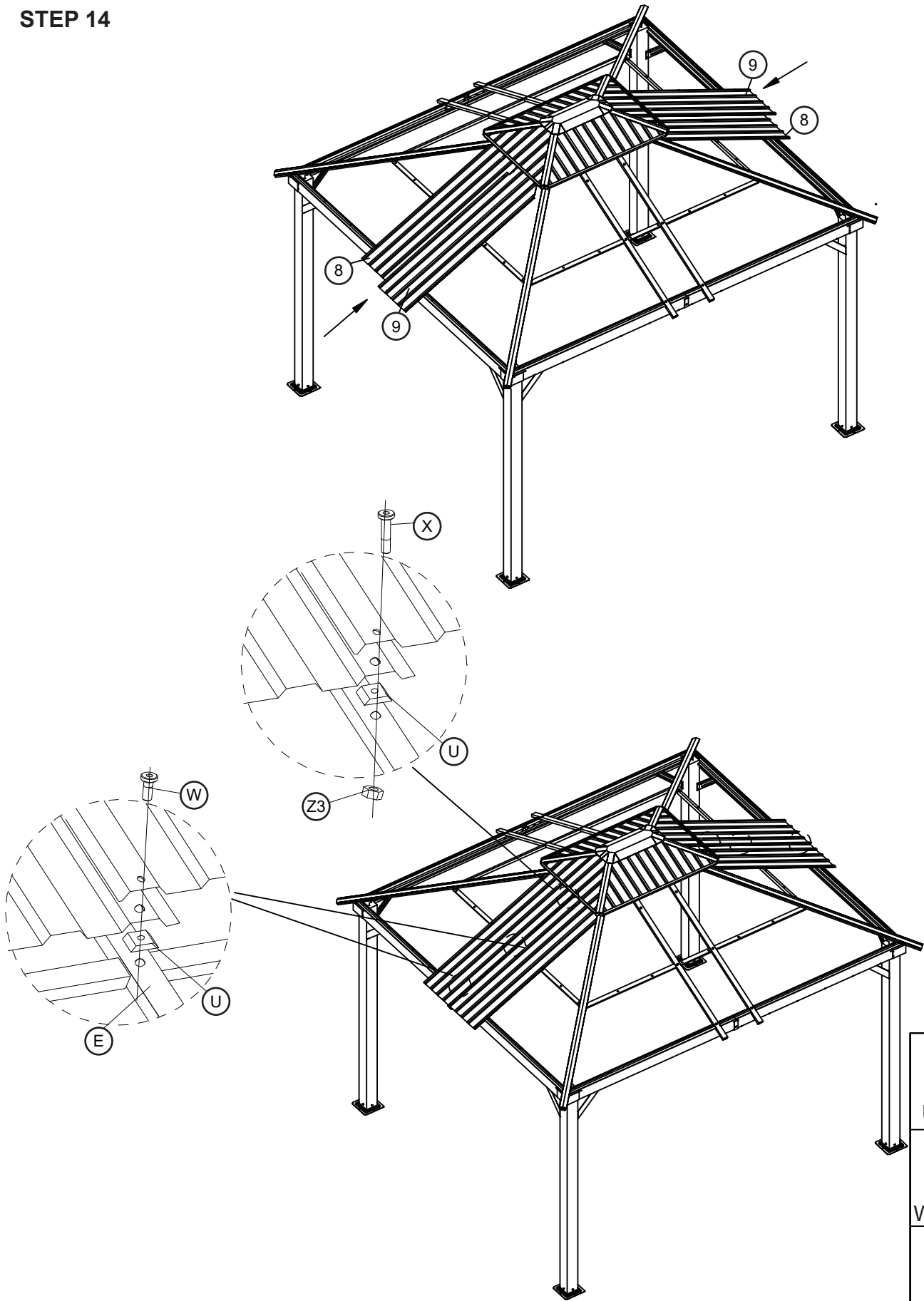
STEP 13



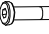




M6x15
Vx30PCS

Installation steps

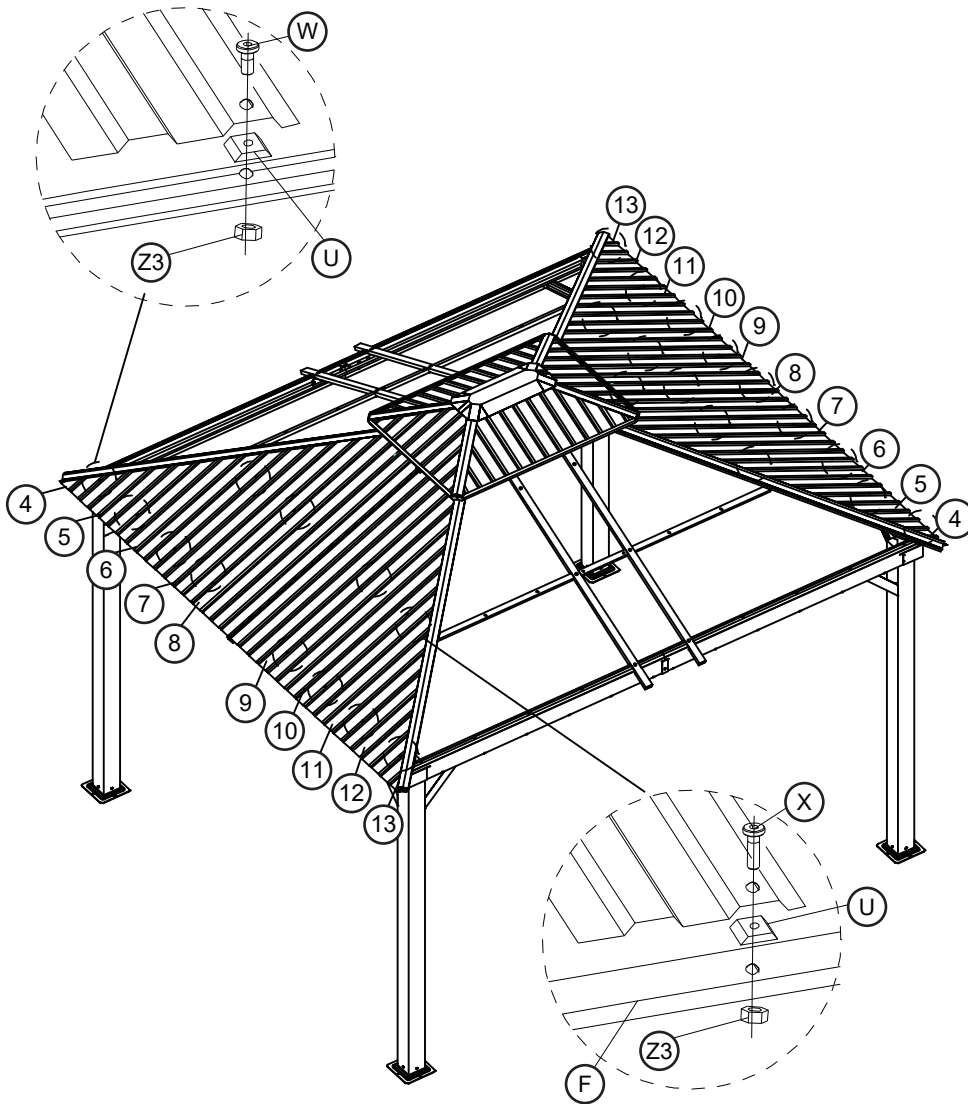
STEP 14



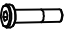




Ux6PCS

M6x25 Wx24PCS

M6x48 Xx2PCS

Z3x2PCS

Installation steps

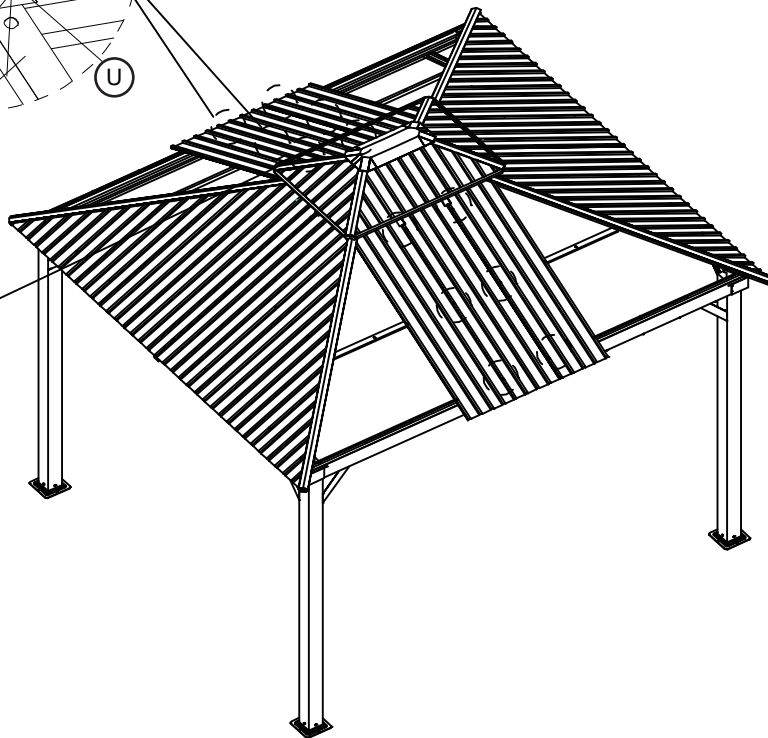
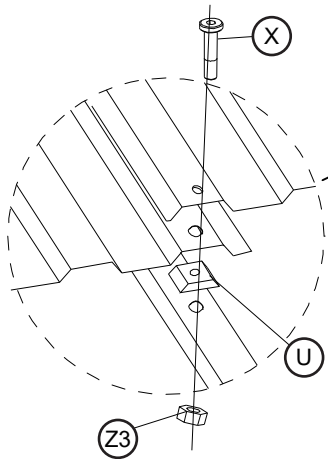
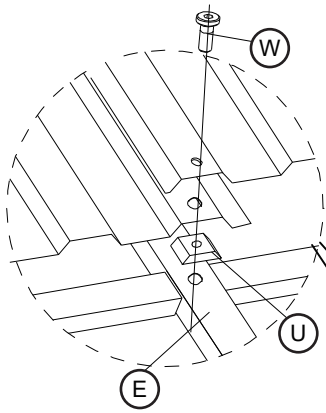
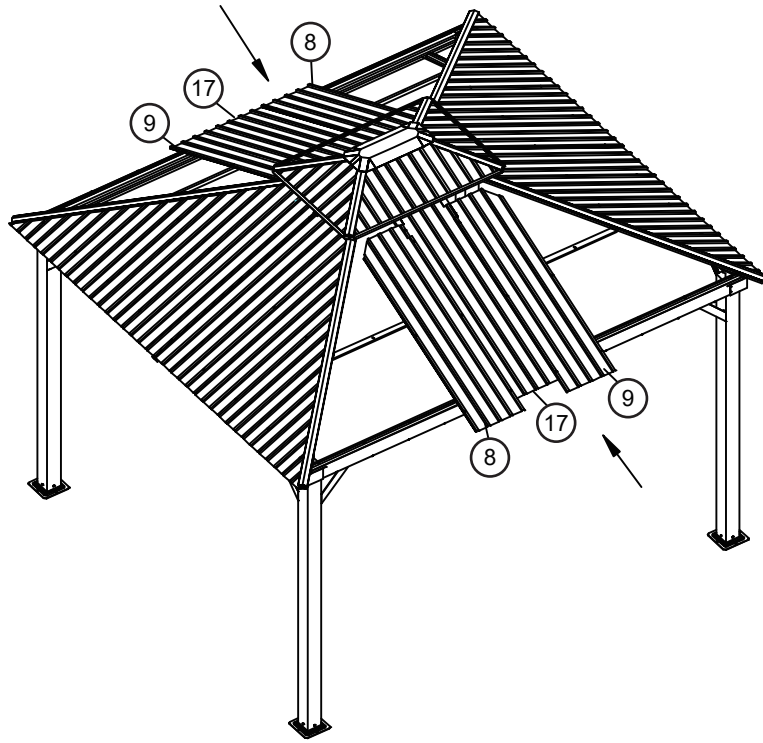
STEP 15



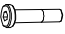




Ux24PCS

M6x25 Wx16PCS

M6x48 Xx8PCS

Z3x24PCS

Installation steps

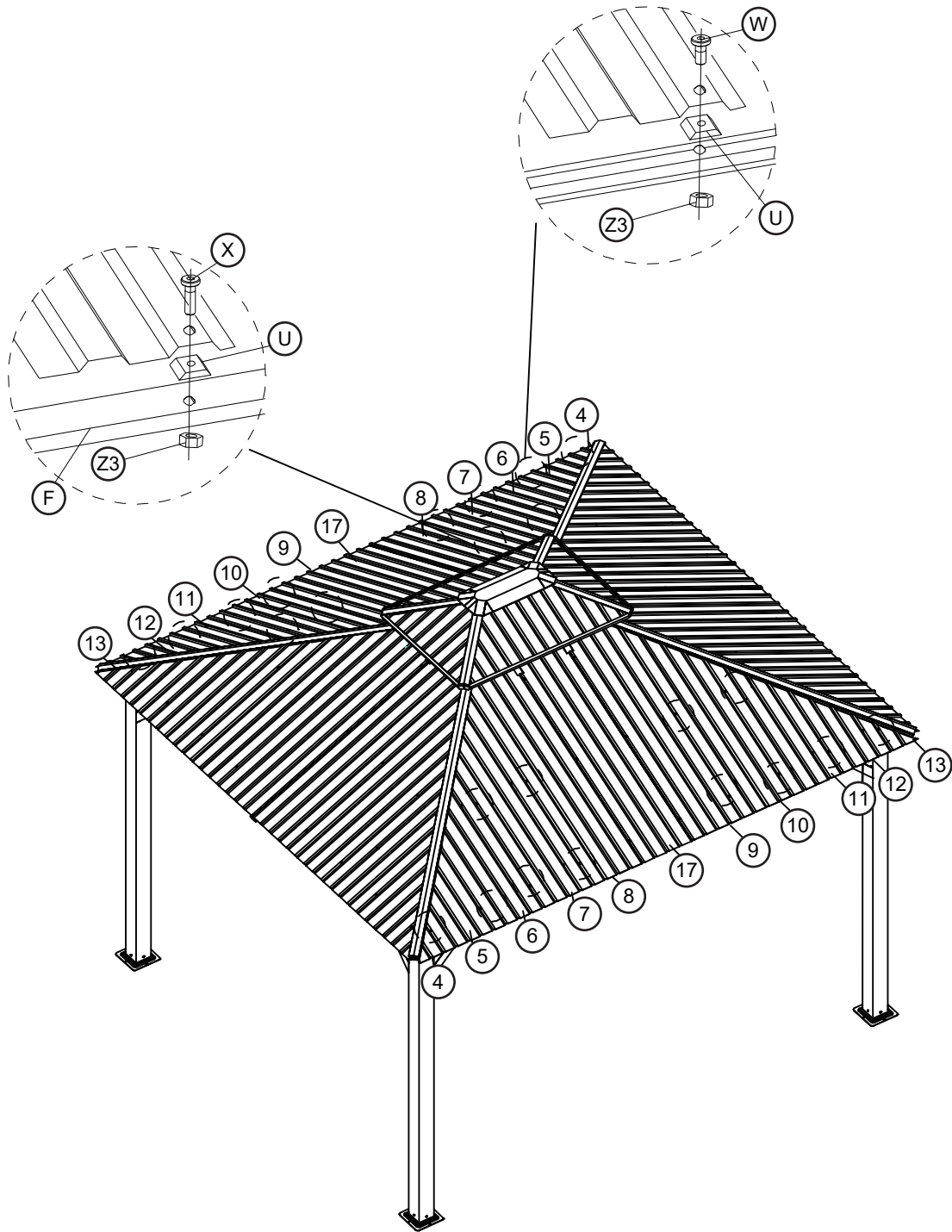
STEP 16



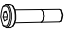



	Ux12PCS
	M6x25 Wx8PCS
	M6x48 Xx4PCS
	Z3x4PCS

Installation steps

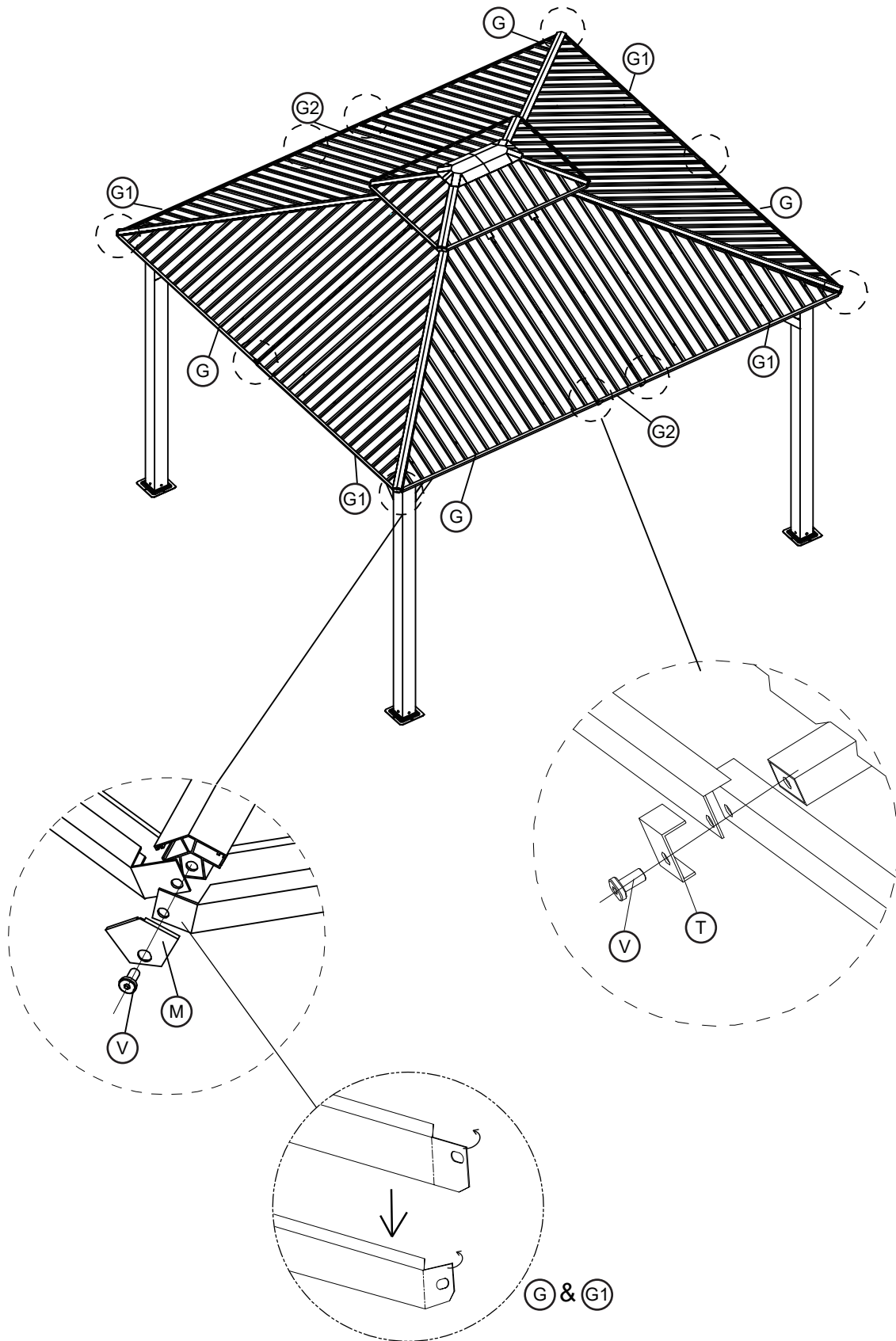
STEP 17




	Ux24PCS
	M6x25 Wx16PCS
	M6x48 Xx8PCS
	Z3x24PCS

Installation steps

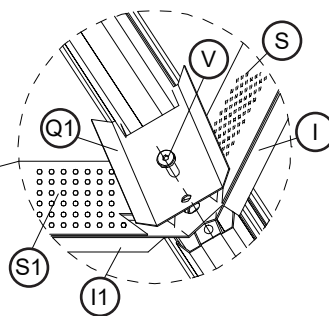
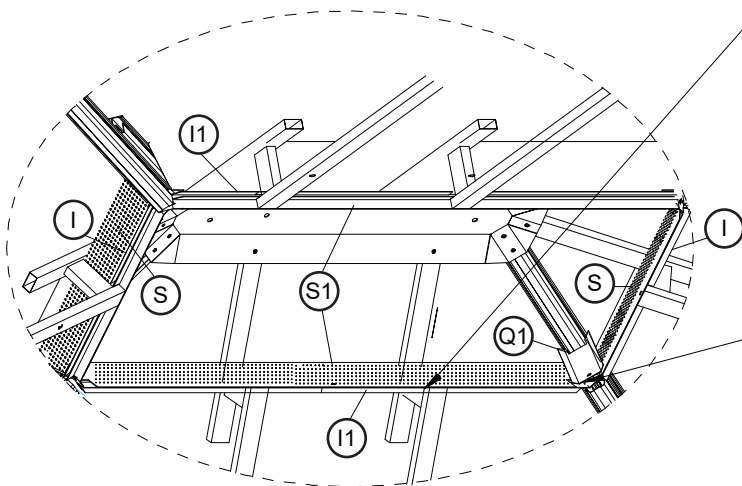
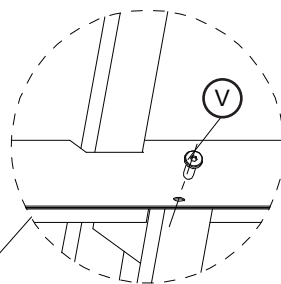
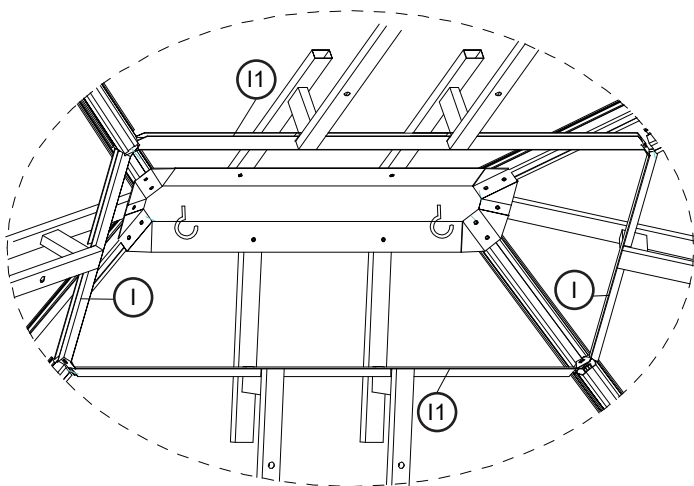
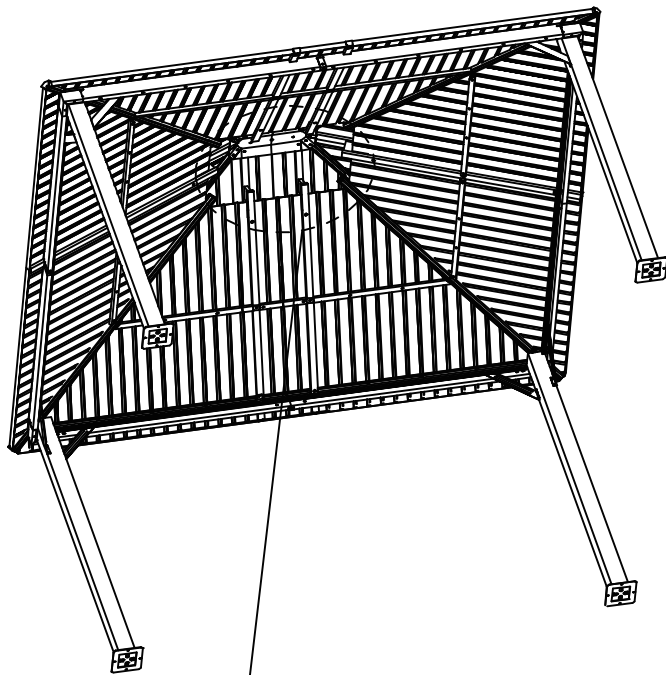
STEP 18




M6x15
Vx10PCS

Installation steps

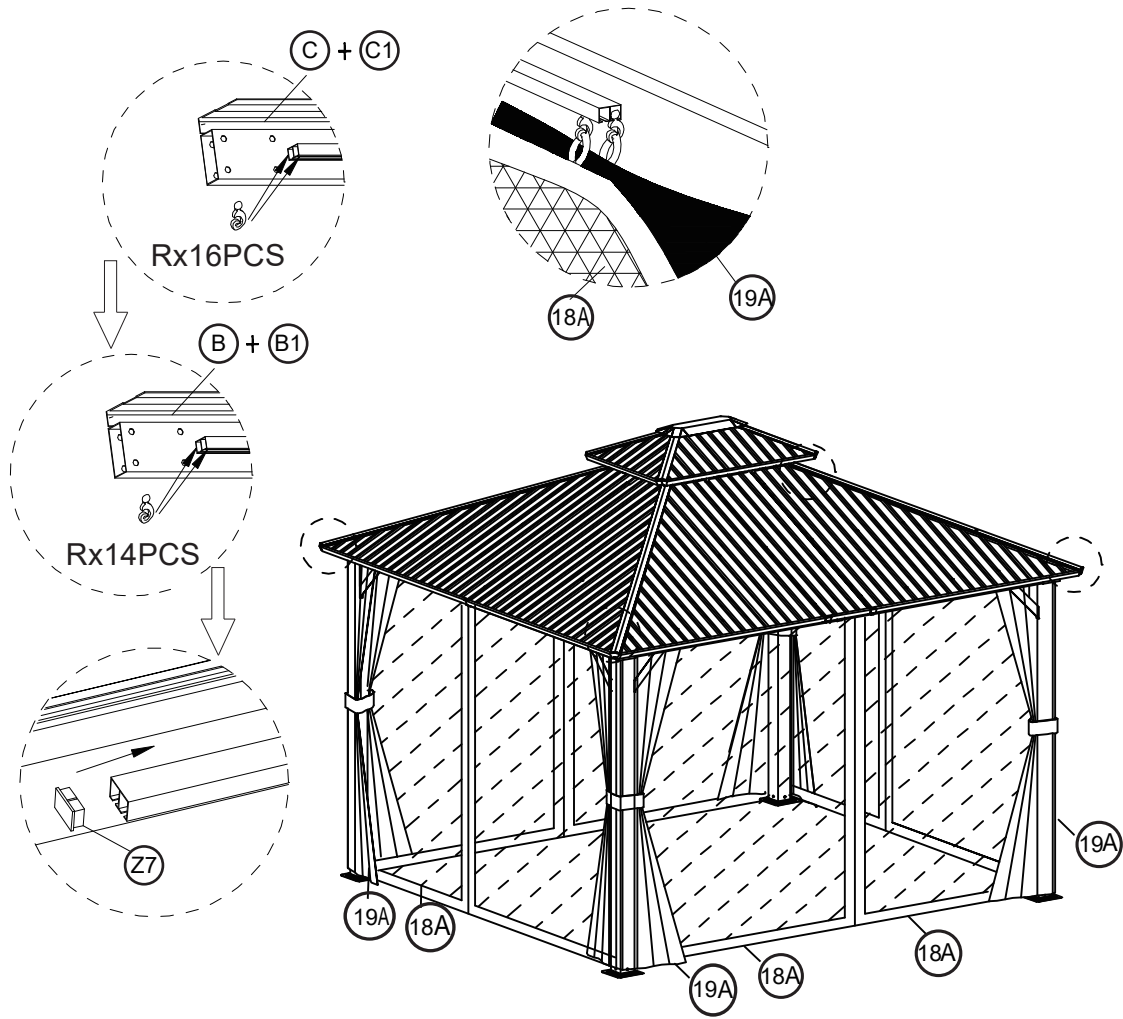
STEP 19






M6x15
Vx10PCS

Installation steps

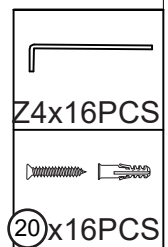
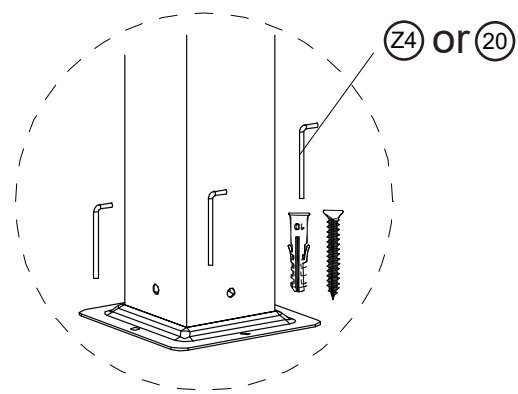
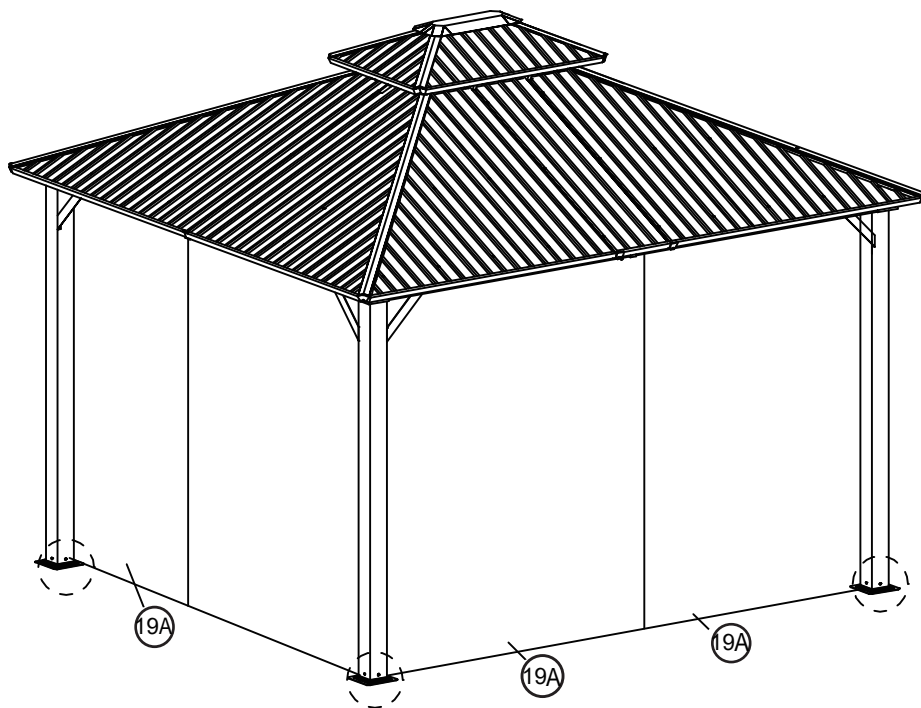
STEP 20

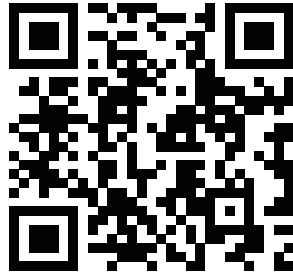


A


Rx120PCS

Z7x8PCS

STEP 21





www.alaulm.com

Make Your Life Much Better.

