

# *ASSEMBLY INSTRUCTIONS*



## ***STORAGE BENCH***

# ASSEMBLY INSTRUCTIONS

## ASSEMBLY TIPS:

1. Remove hardware from box and sort by size.
2. Please check to see that all hardware and parts are present prior to start of assembly.
3. Please follow attached instructions in the same sequence as numbered to assure fast & easy assembly.

### WARNING!

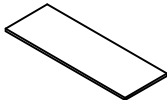
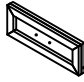

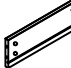


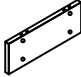
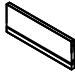
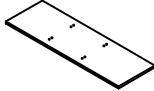
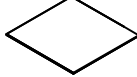
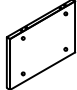

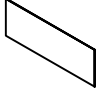
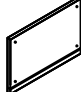
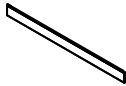

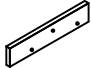
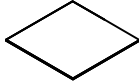
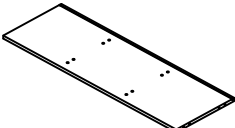
1. Don't attempt to repair or modify parts that are broken or defective. please contact the store immediately.
2. This product is for home use only and not intended for commercial establishments.



ASSEMBLY TIME

60 MINUTES

## PARTS IDENTIFICATION

A	TOP		1PC	J	TOP DRAWER FRONT PANEL		3PCS
B	LEFT SIDE		1PC	K	TOP DRAWER LEFT SIDE PANEL		3PCS
C	RIGHT SIDE		1PC	L	TOP DRAWER RIGHT SIDE PANEL		3PCS
D	UPPER SUPPORT BOARD		2PCS	M	TOP DRAWER BACK PANEL		3PCS
E	MIDDLE SHELF PANEL		1PC	N	TOP DRAWER BOTTOM PANEL		3PCS
F	LOWER SUPPORT BOARD		2PCS	O	BOTTOM DRAWER FRONT PANEL		3PCS
G	BACK PANEL		1PC	P	BOTTOM DRAWER SIDE PANEL		6PCS
H	BASE LONG SIDE		2PCS	Q	BOTTOM DRAWER BACK PANEL		3PCS
I	BASE SHORT SIDE		2PCS	R	BOTTOM DRAWER BOTTOM PANEL		3PCS
				S	BOTTOM PANEL		1PC

### NOTE:

Phillips head screw driver is required in the assembly process; however, manufacturer does not provide this item.

# ASSEMBLY INSTRUCTIONS

## ASSEMBLY TIPS:

1. Remove hardware from box and sort by size.
2. Please check to see that all hardware and parts are present prior to start of assembly.
3. Please follow attached instructions in the same sequence as numbered to assure fast & easy assembly.

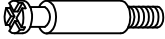



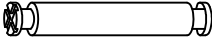



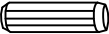

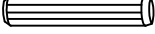






## WARNING!

1. Don't attempt to repair or modify parts that are broken or defective. please contact the store immediately.
2. This product is for home use only and not intended for commercial establishments.

**Z**

## HARDWARE IDENTIFICATION

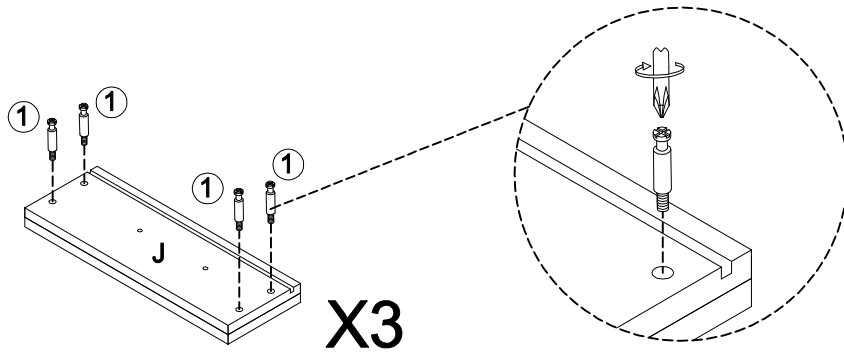
1	<b>SHORT CAM BOLT</b> (1/4 x 35mm - SR)		32PCS	9	<b>SHORT BOLT</b> (1/6 x 15mm - SR)		6PCS
2	<b>LARGE CAM LOCK</b> (3/5 x11mm - SR)		28PCS	10	<b>HANDLE</b> (143 x 13x22mm-BLK)		3PCS
3	<b>LARGE CAM BOLT</b> (1/4 x 70mm - SR)		4PCS	11	<b>CAP</b> (3/5 -WHT)		4PCS
4	<b>SMALL CAM LOCK</b> (3/5 x 9MM - SR)		12PCS	12	<b>SCREWDRIVER</b> (4mm-SR)		1PC
5	<b>SMALL WOODEN DOWEL</b> (1/3 x 30MM )		16 PCS	13	<b>METAL BRACKET</b>		6PCS
6	<b>LARGE WOODEN DOWEL</b> (1/3 x 50MM)		4PCS	14	<b>WOOD SCREW</b> (1/6 x 15mm - SR)		12 PCS
7	<b>WOOD SCREW</b> (1/8 x 25mm - SR)		36PCS	15	<b>LARGE BOLT</b> (1/4 x 25mm - SR)		6PCS
8	<b>LARGE BOLT</b> (1/4 x 40mm - SR)		4PCS				

## NOTE:

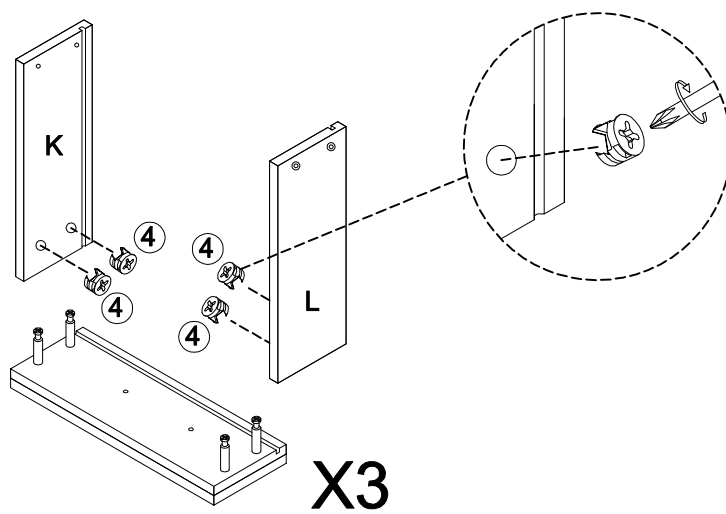
Phillips head screw driver is required in the assembly process; however, manufacturer does not provide this item.

# ASSEMBLY INSTRUCTIONS

## STEP 1

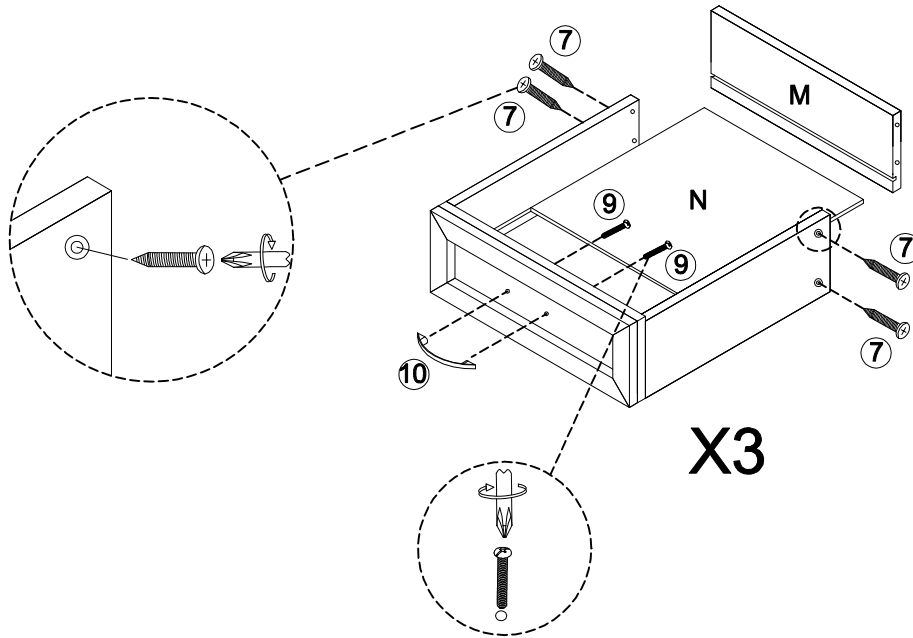


## STEP 2

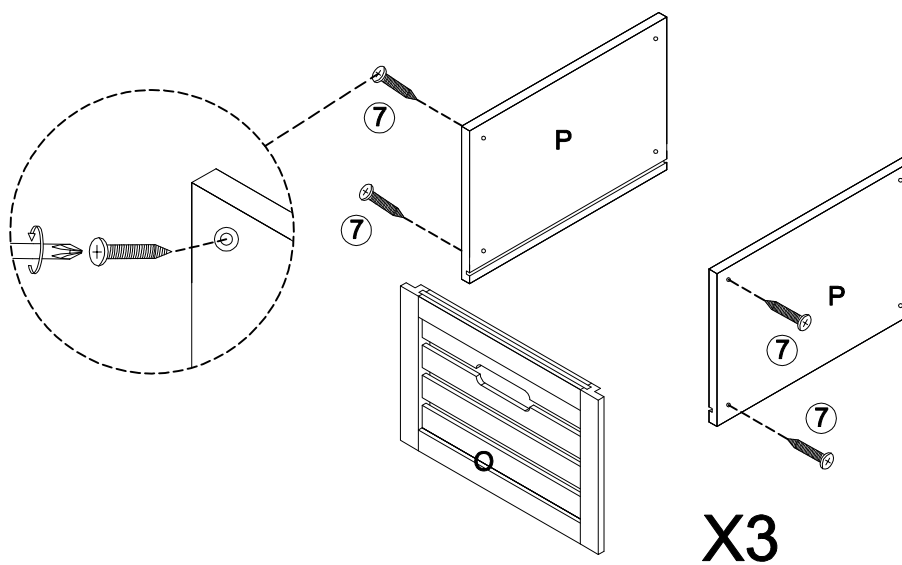


# ASSEMBLY INSTRUCTIONS

## STEP 3

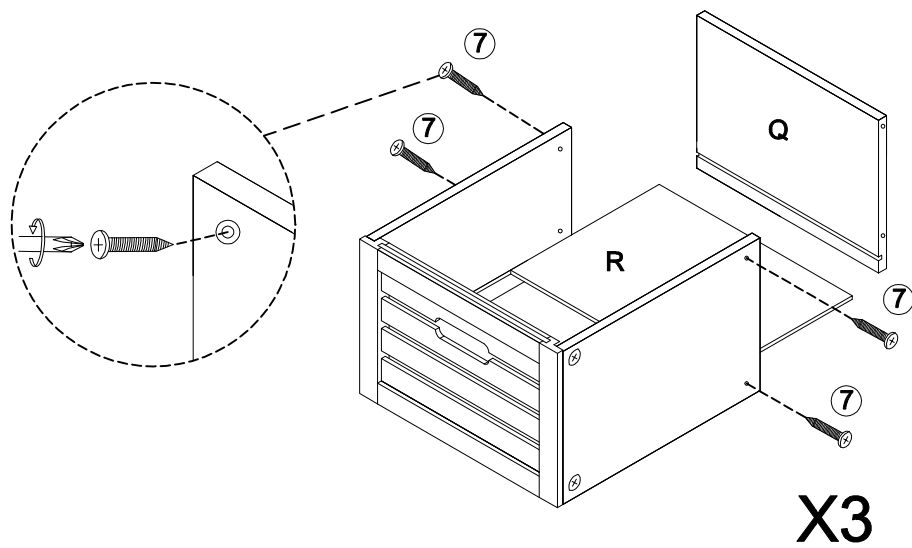


## STEP 4

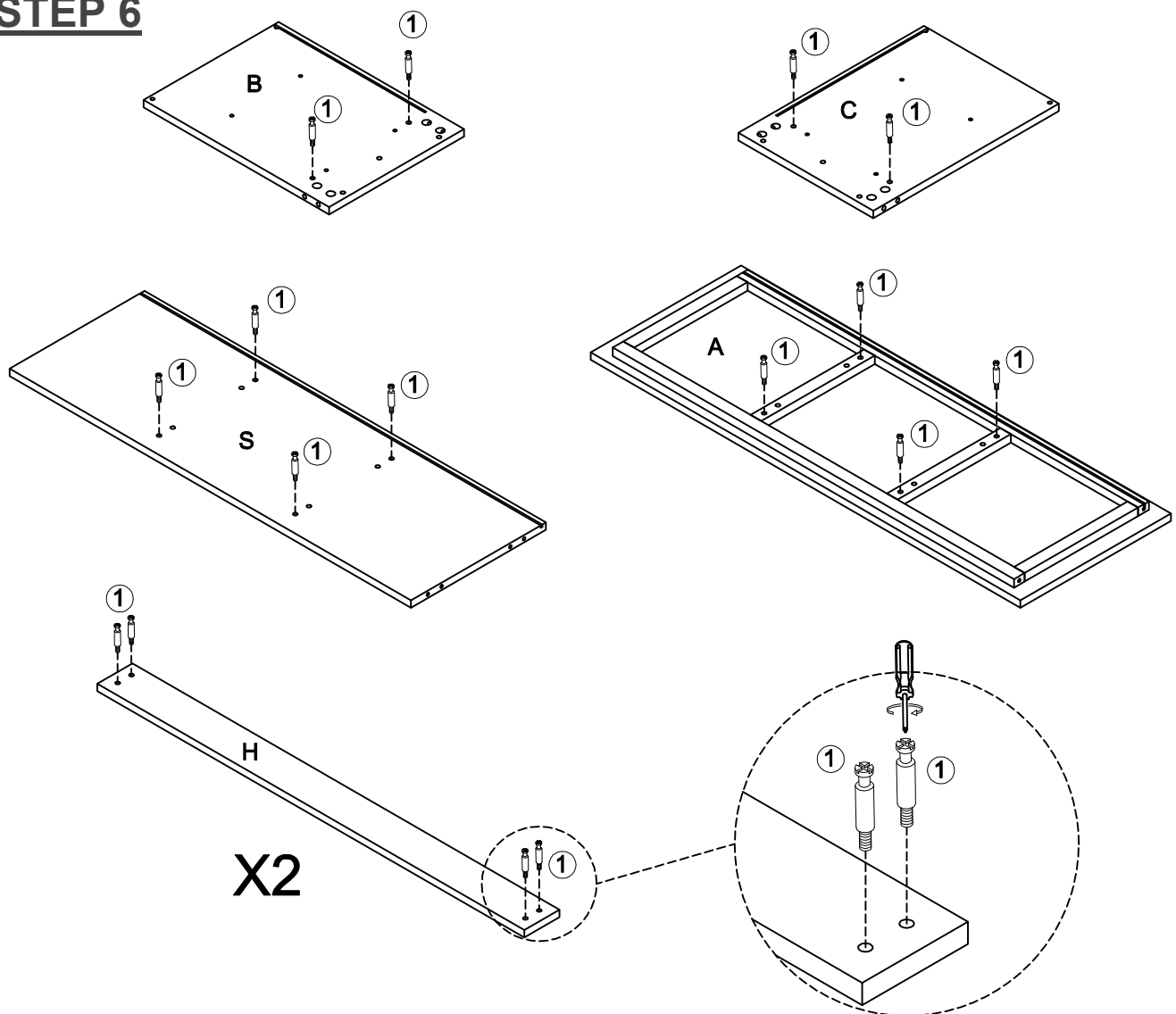


# ASSEMBLY INSTRUCTIONS

## STEP 5

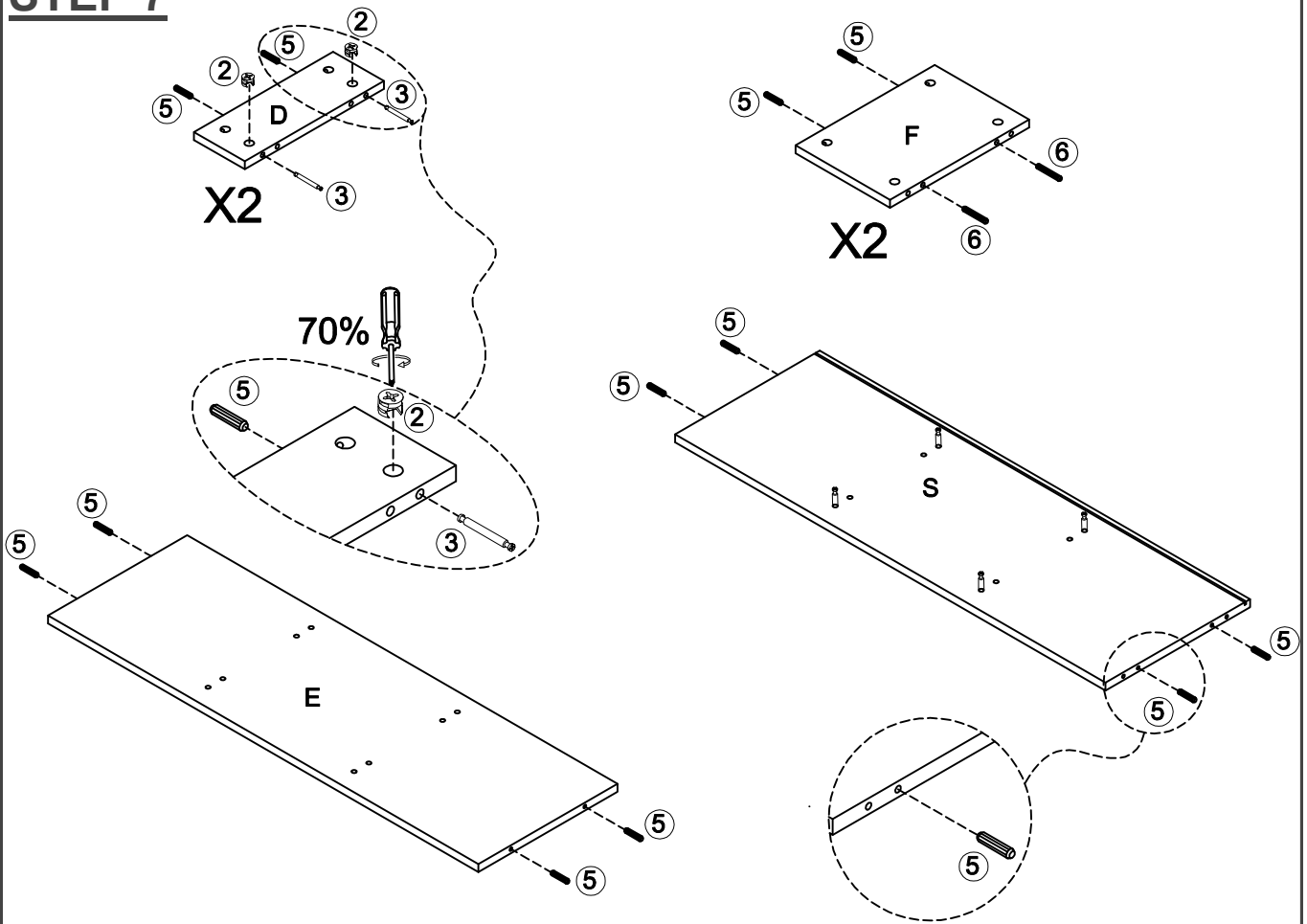


## STEP 6

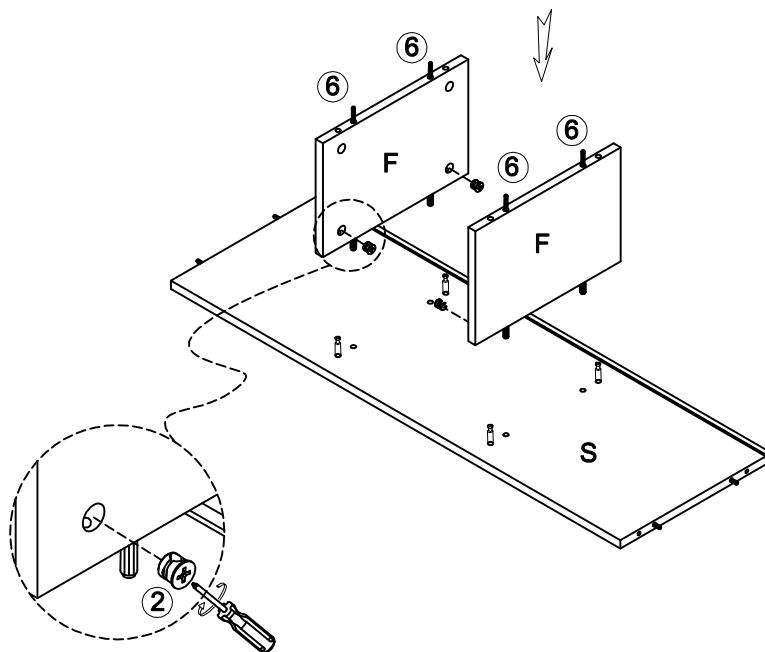


# ASSEMBLY INSTRUCTIONS

## STEP 7

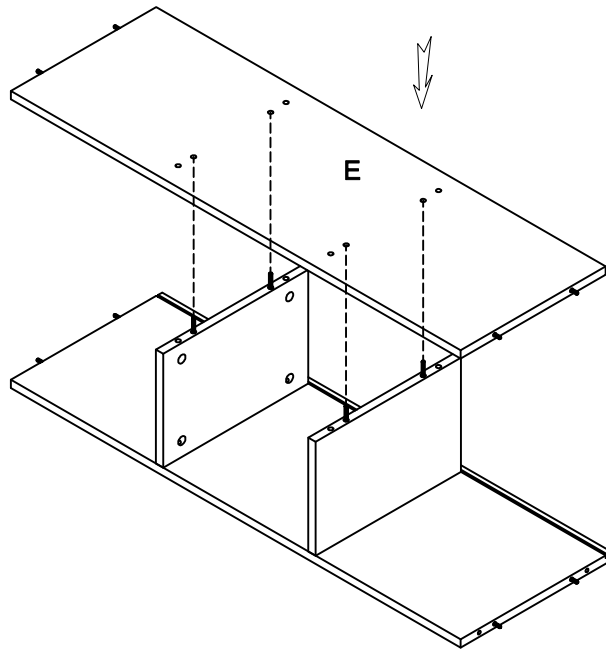


## STEP 8

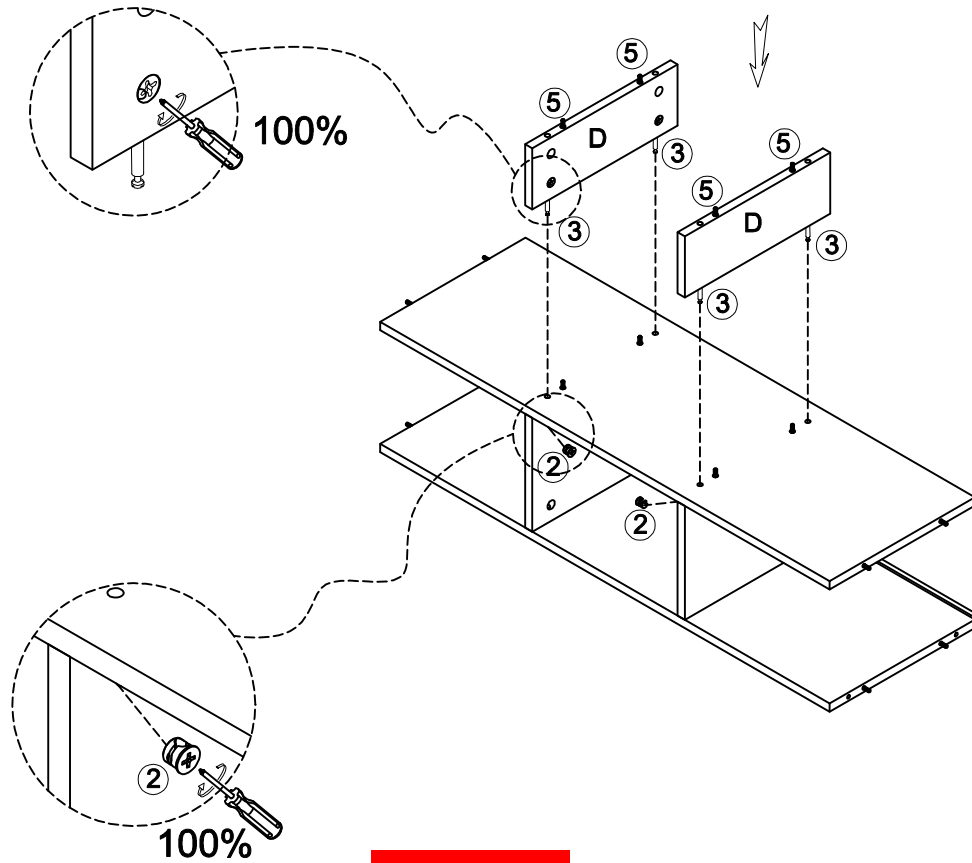


# ASSEMBLY INSTRUCTIONS

## STEP 9

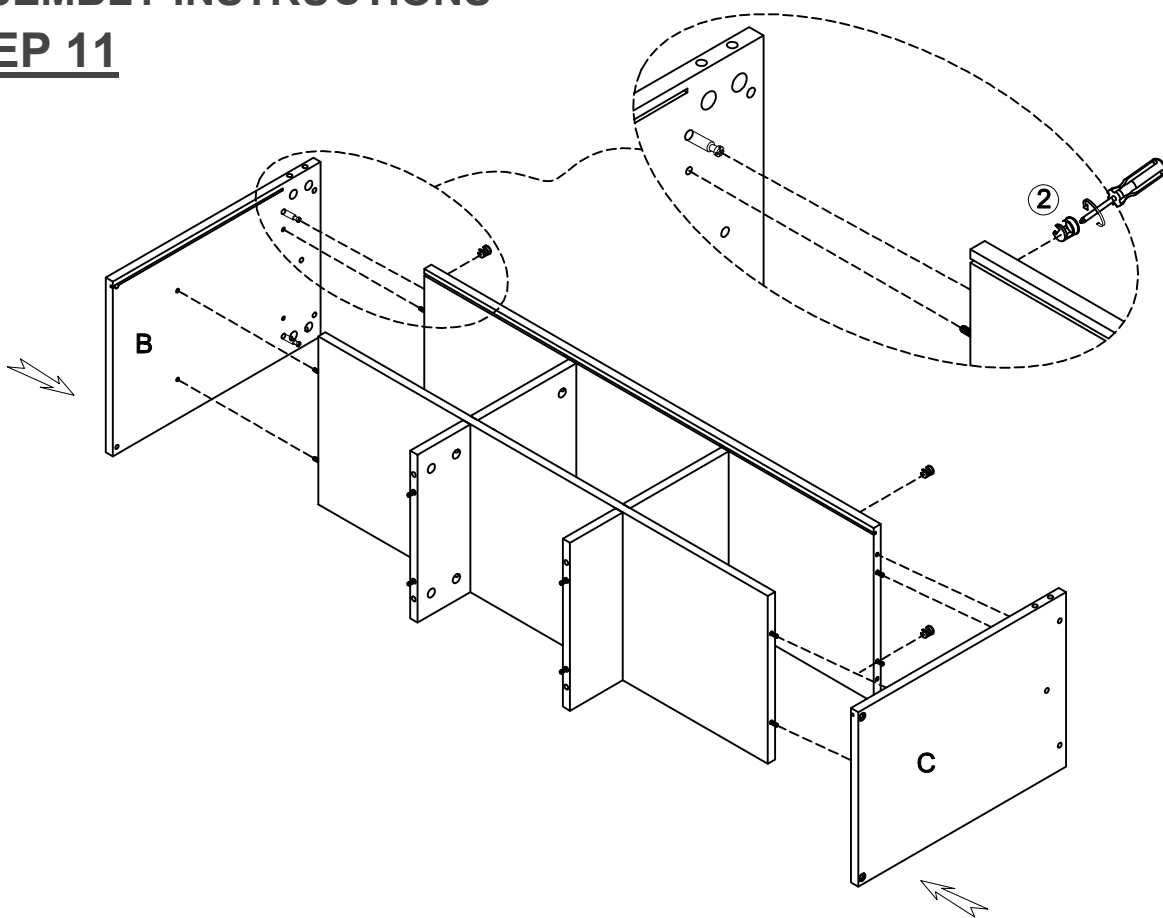


## STEP 10

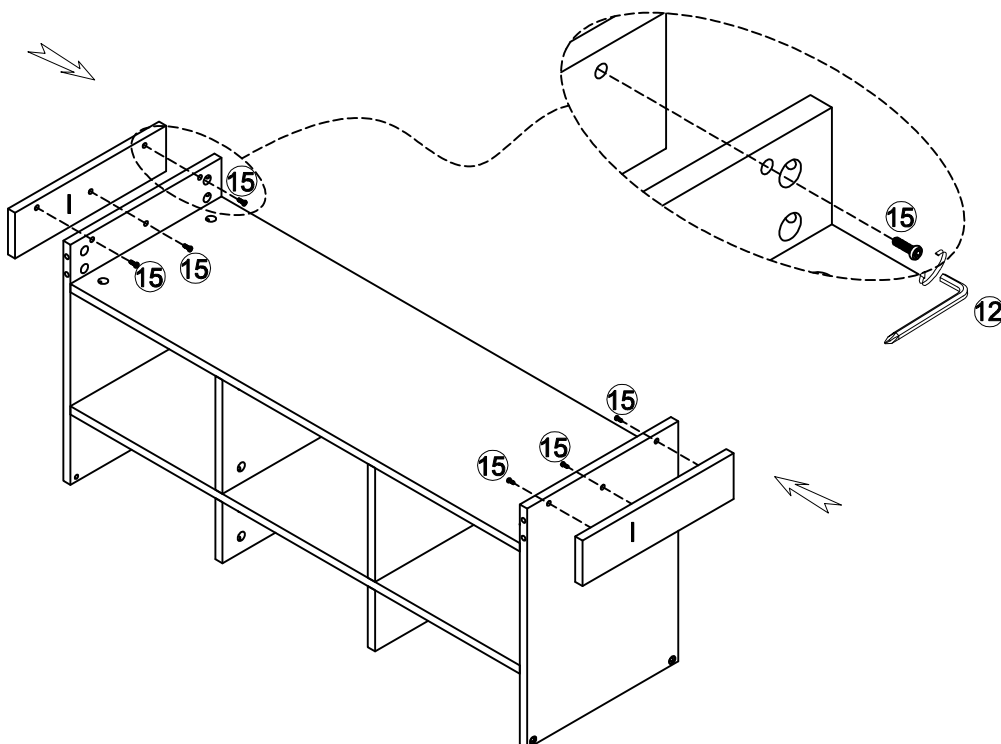


# ASSEMBLY INSTRUCTIONS

## STEP 11

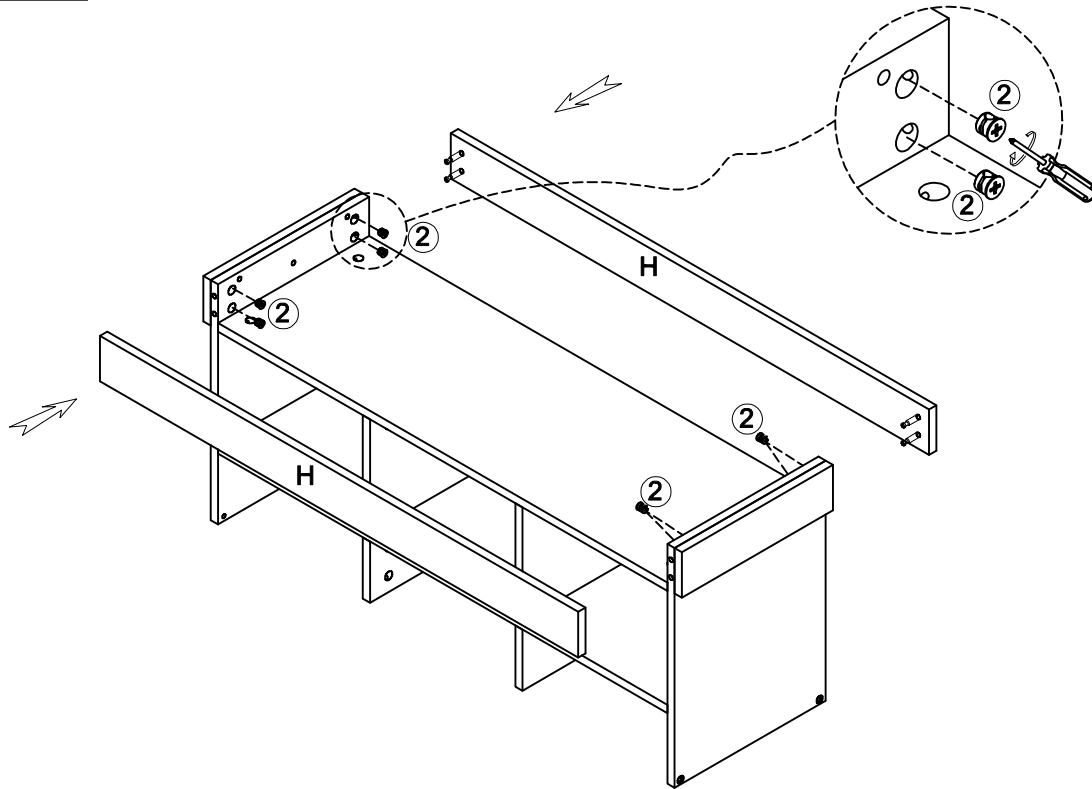


## STEP 12

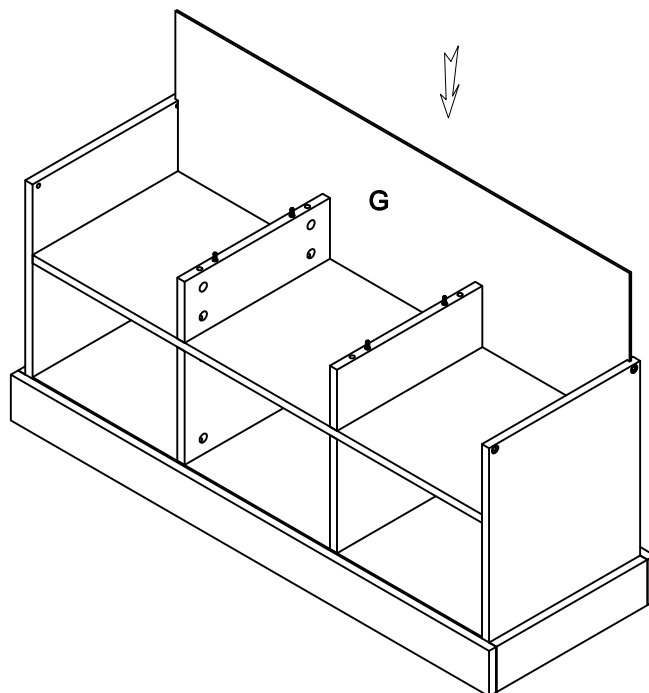


# ASSEMBLY INSTRUCTIONS

## STEP 13

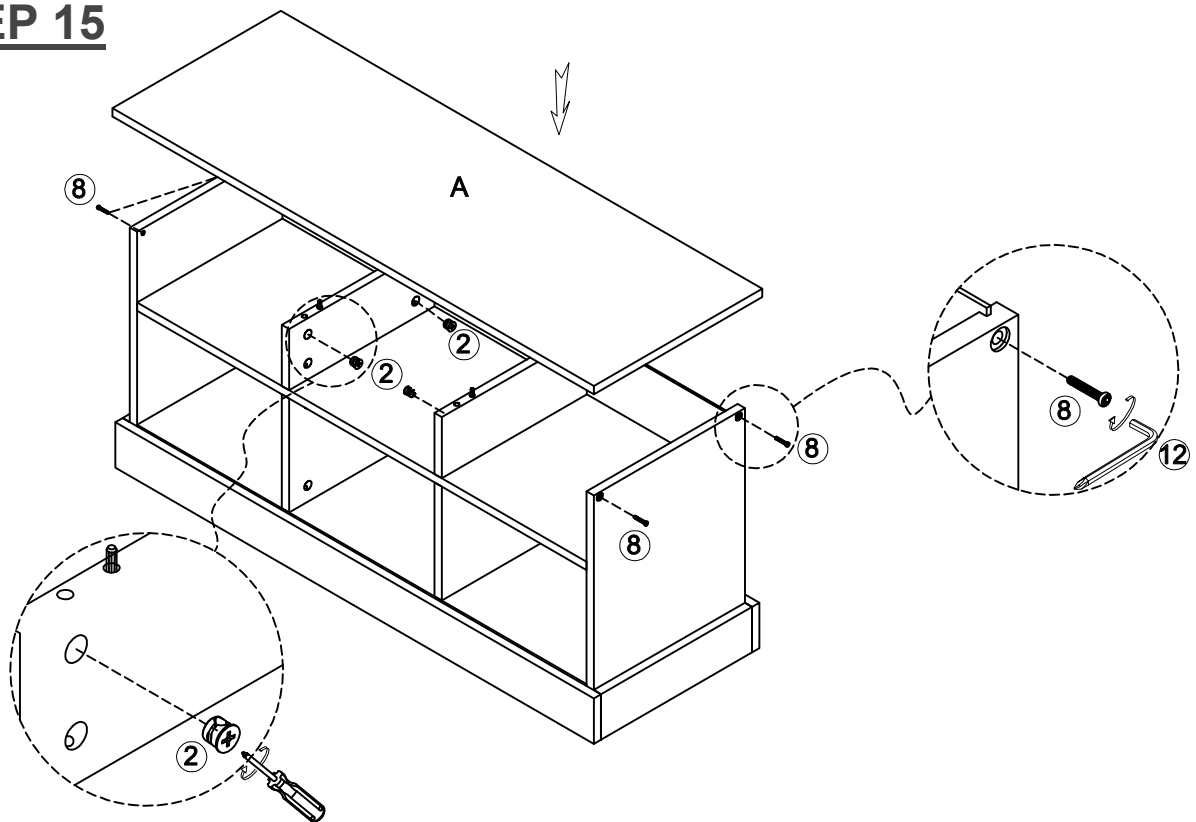


## STEP 14

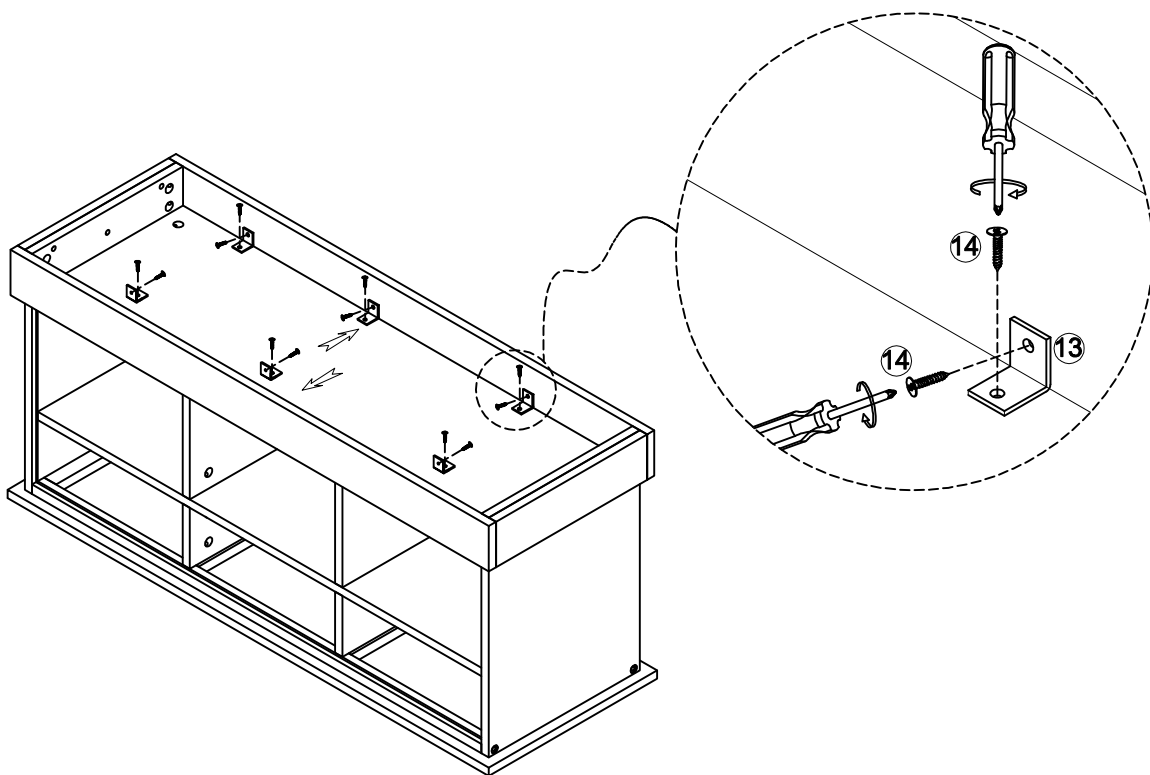


# ASSEMBLY INSTRUCTIONS

## STEP 15

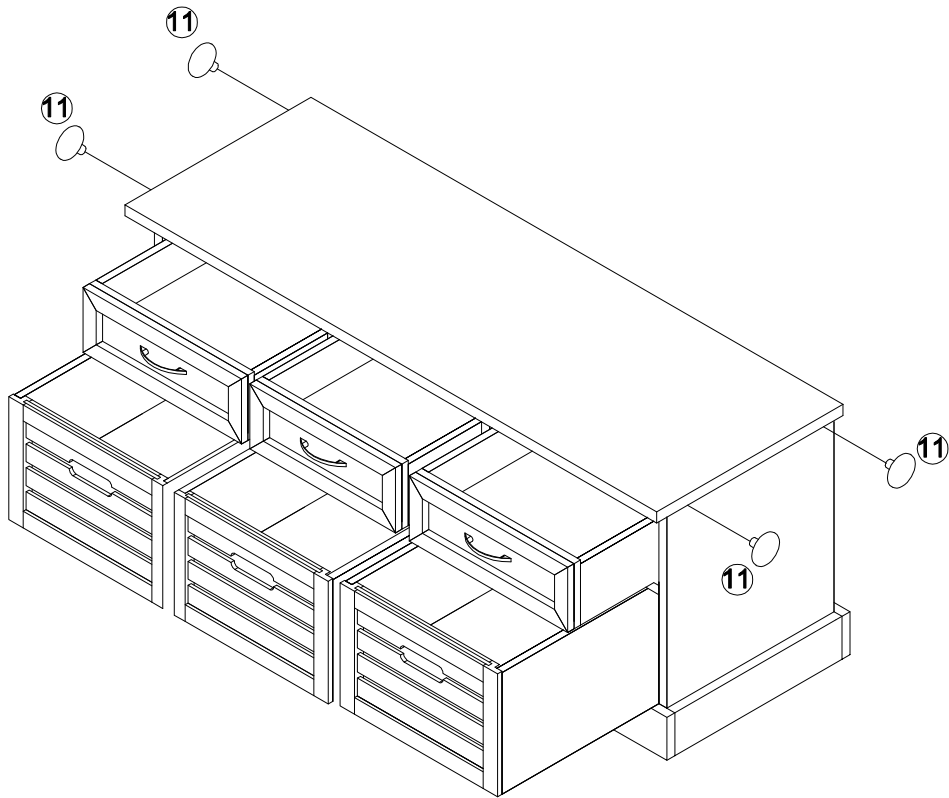


## STEP 16

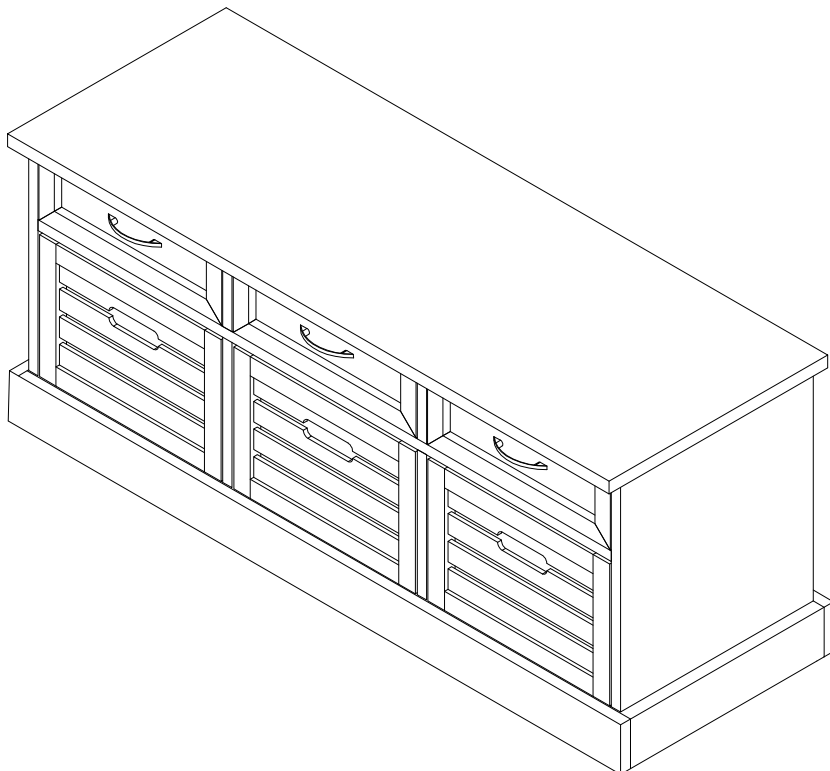


# ASSEMBLY INSTRUCTIONS

## STEP 17

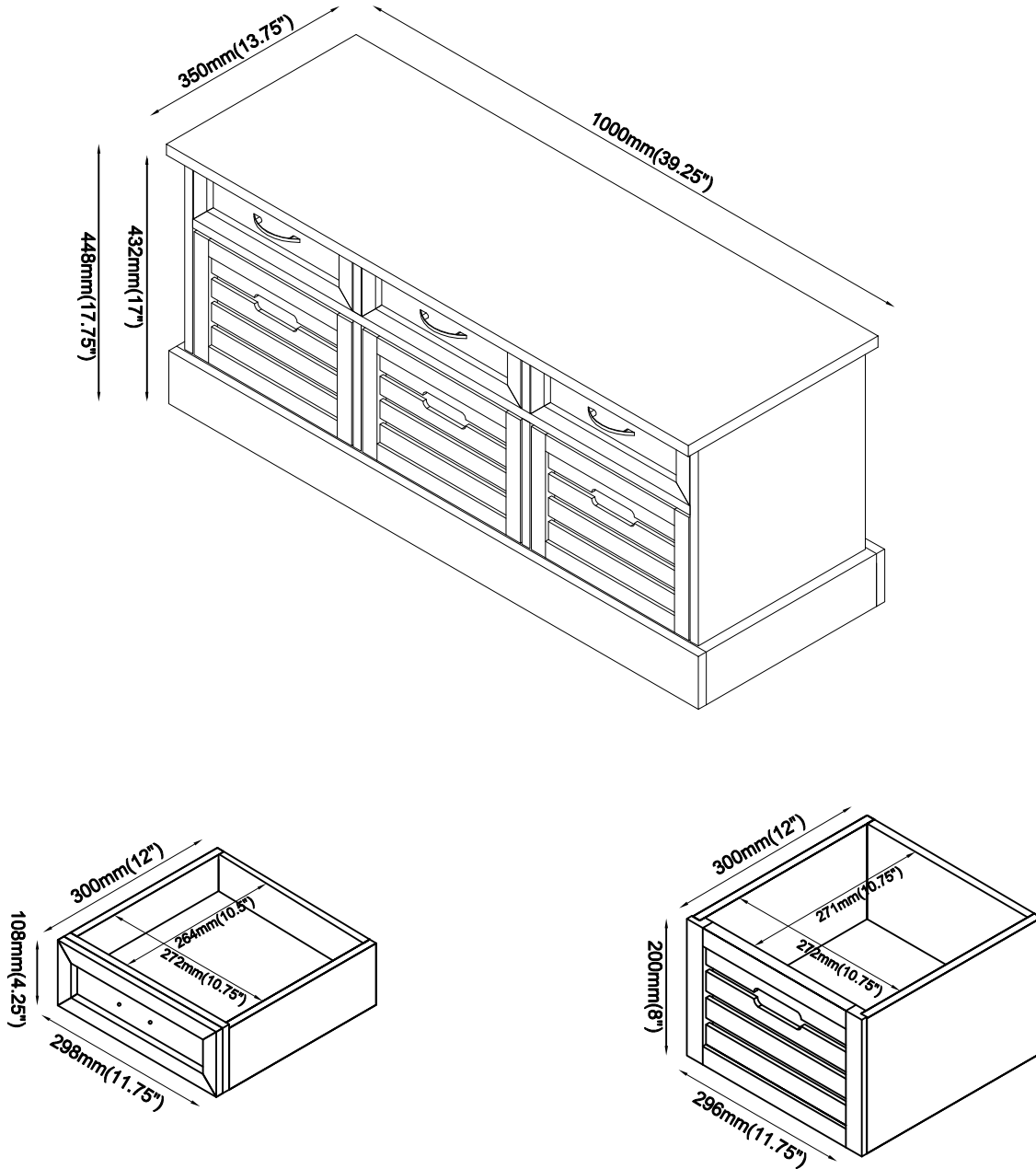


## STEP 18



# ASSEMBLY INSTRUCTIONS

## STEP 19



Note: Dimension tolerance  $\pm 5\%$