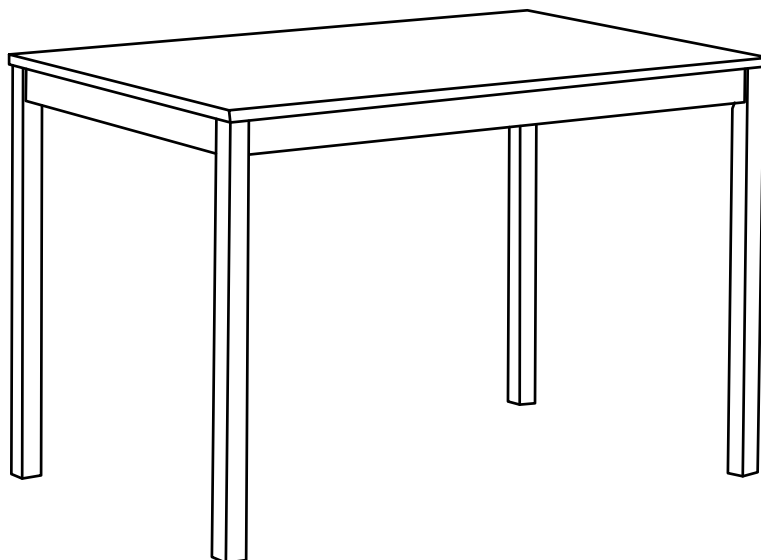


BLACK/OAK EFFECT/OAT FABRIC 1+4 DINING SET ASSEMBLY INSTRUCTIONS



FOR DOMESTIC USE ONLY **IMPORTANT**

PLEASE READ BEFORE YOU CONTINUE FURTHER

THE PRODUCT YOU HAVE PURCHASED WILL GIVE YOU MANY YEARS OF SERVICE IF YOU FOLLOW THE GUIDELINES FOR ITS SAFE ASSEMBLY AND PERIODIC MAINTENANCE AND CLEANING.

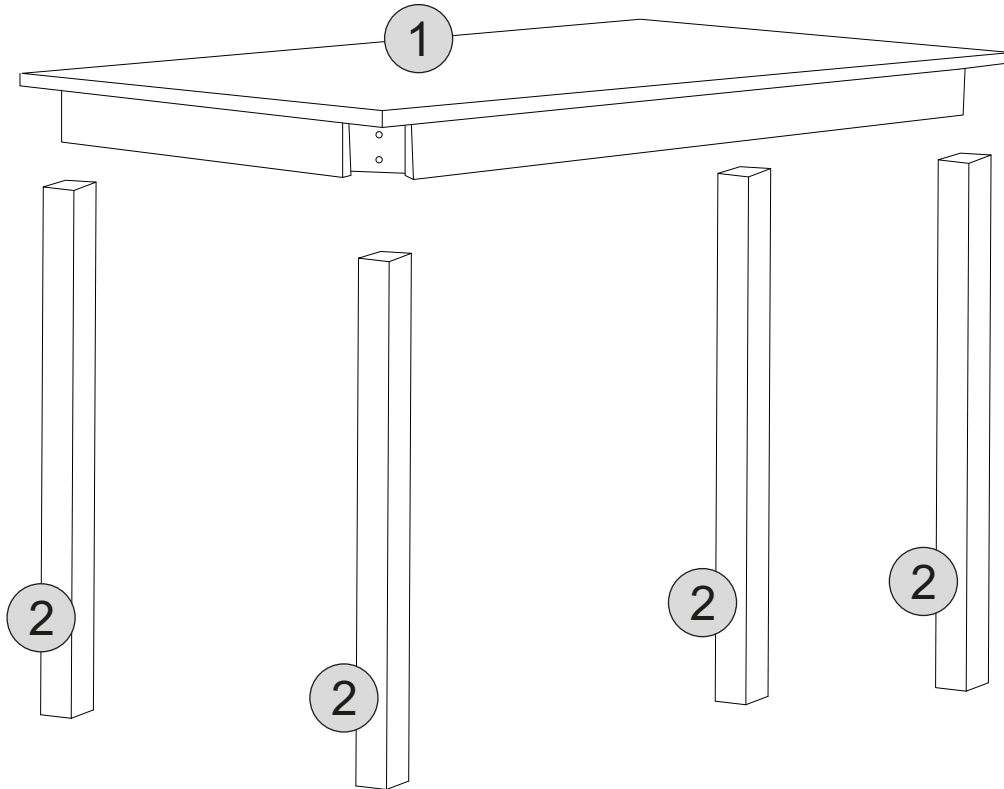
DO NOT USE ANY TOOLS OTHER THAN THOSE SHOWN.

ANY SPANNERS OR ALLEN KEYS REQUIRED ARE INCLUDED WITH THE FITTINGS KIT.

DO NOT FOR ANY REASON USE A POWER TOOL TO ASSEMBLE THIS PRODUCT. ITS USE WILL INVALIDATE ANY CLAIM YOU MAY HAVE AND COULD MAKE THIS PRODUCT UNSAFE.

DEPENDING ON THE AMOUNT OF USE THIS PRODUCT RECEIVES IT MAY BE NECESSARY TO TIGHTEN UP THE FIXINGS FROM TIME TO TIME. THIS IS COMPLETELY NORMAL FOR ANY FLAT PACK FURNITURE.

FOR CLEANING YOU MAY USE A DAMP CLOTH (NOT WET) DRY DUSTER AND NORMAL FURNITURE POLISH.

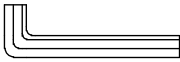





PLEASE CHECK THAT YOU HAVE ALL THE PARTS LISTED BEFORE YOU START ASSEMBLING. IF YOU DO FIND THAT SOMETHING IS MISSING, DO NOT CONTINUE ASSEMBLY. PLEASE CONTACT YOUR SUPPLIER IMMEDIATELY.

PART LIST

Part Number	Part Code	Part Description	Quantity	Carton
1		Table Top	1	1/1
2		Table Leg	4	1/1

HARDWARE LIST

No	Part Name		Qty	Carton
A	Allen Key		x1	1
B	50mm M6 Bolt		x8	1
C	Spring Washer		x8	1
D	Flat Washer		x8	1

STEP 1

PARTS REQUIRED

1 - TABLE TOP x1

2 - TABLE LEG x4

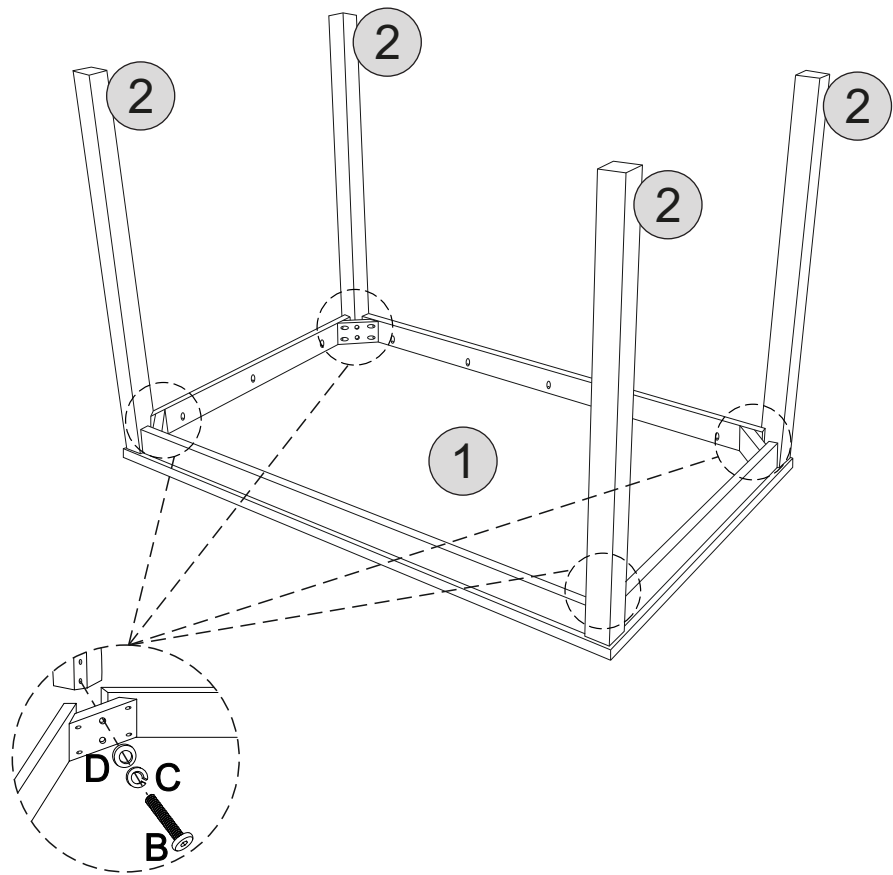
HARDWARE REQUIRED

B  08

C  08

D  08

TOOLS REQUIRED

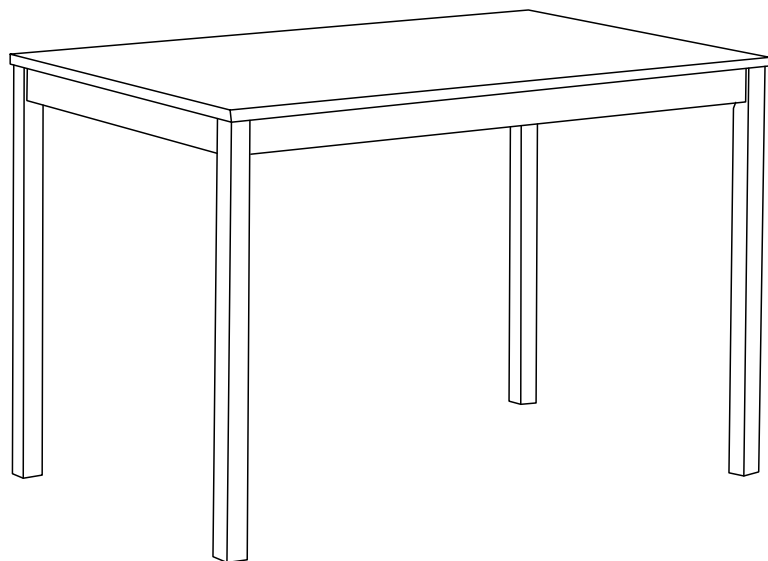


STEP 2

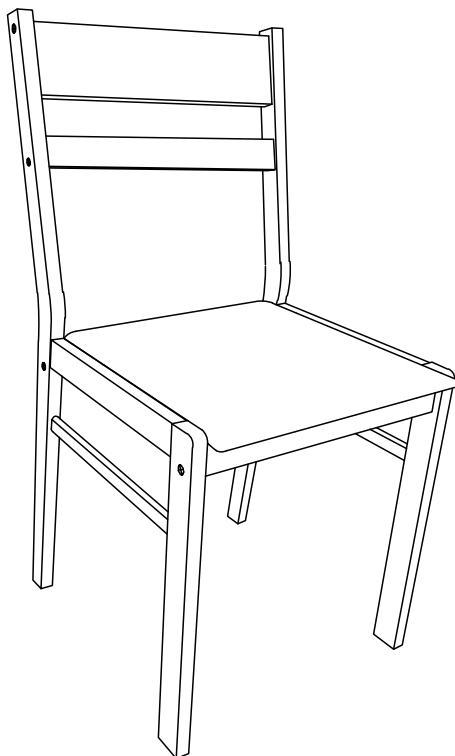
PARTS REQUIRED

HARDWARE REQUIRED

TOOLS REQUIRED



BLACK/OAK EFFECT/OAT FABRIC 1+4 DINING SET ASSEMBLY INSTRUCTIONS



FOR DOMESTIC USE ONLY **IMPORTANT**

PLEASE READ BEFORE YOU CONTINUE FURTHER

THE PRODUCT YOU HAVE PURCHASED WILL GIVE YOU MANY YEARS OF SERVICE IF YOU FOLLOW THE GUIDELINES FOR ITS SAFE ASSEMBLY AND PERIODIC MAINTENANCE AND CLEANING.

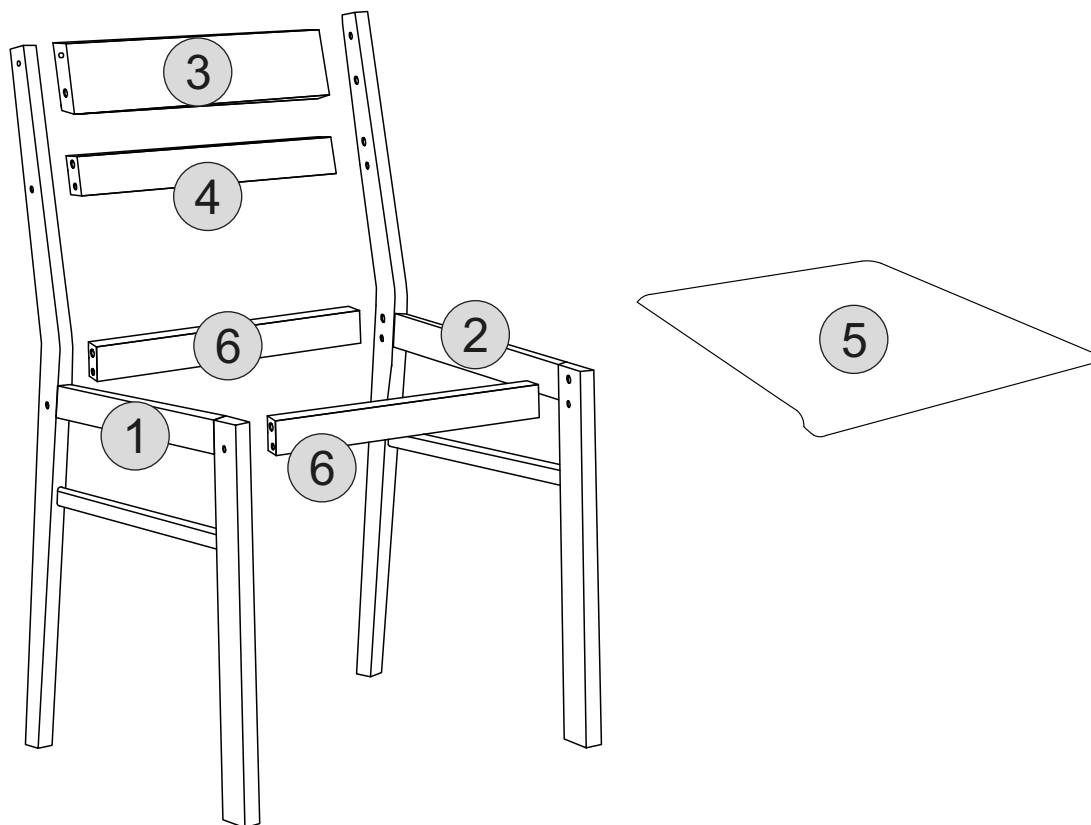
DO NOT USE ANY TOOLS OTHER THAN THOSE SHOWN.

ANY SPANNERS OR ALLEN KEYS REQUIRED ARE INCLUDED WITH THE FITTINGS KIT.

DO NOT FOR ANY REASON USE A POWER TOOL TO ASSEMBLE THIS PRODUCT. ITS USE WILL INVALIDATE ANY CLAIM YOU MAY HAVE AND COULD MAKE THIS PRODUCT UNSAFE.

DEPENDING ON THE AMOUNT OF USE THIS PRODUCT RECEIVES IT MAY BE NECESSARY TO TIGHTEN UP THE FIXINGS FROM TIME TO TIME. THIS IS COMPLETELY NORMAL FOR ANY FLAT PACK FURNITURE.

FOR CLEANING YOU MAY USE A DAMP CLOTH (NOT WET) DRY DUSTER AND NORMAL FURNITURE POLISH.

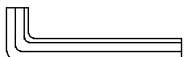
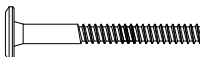

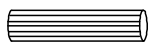


PLEASE CHECK THAT YOU HAVE ALL THE PARTS LISTED BEFORE YOU START ASSEMBLING. IF YOU DO FIND THAT SOMETHING IS MISSING, DO NOT CONTINUE ASSEMBLY. PLEASE CONTACT YOUR SUPPLIER IMMEDIATELY.

PART LIST

Part Number	Part Code	Part Description	Quantity	Carton
1		Chair Frame (Left)	1	1/1
2		Chair Frame (Right)	1	1/1
3		Back Rail (Large)	1	1/1
4		Back Rail (Small)	1	1/1
5		Seat Pad	1	1/1
6		Front/Back Crossbar	2	1/1

HARDWARE LIST

No	Part Name		Qty	Carton
A	Allen Key		x1	1
B	48mm M7 Bolt		x8	1
C	32mm M4 Screw		x4	1
D	8 x 30mm Dowel		x8	1

STEP 3

PARTS REQUIRED

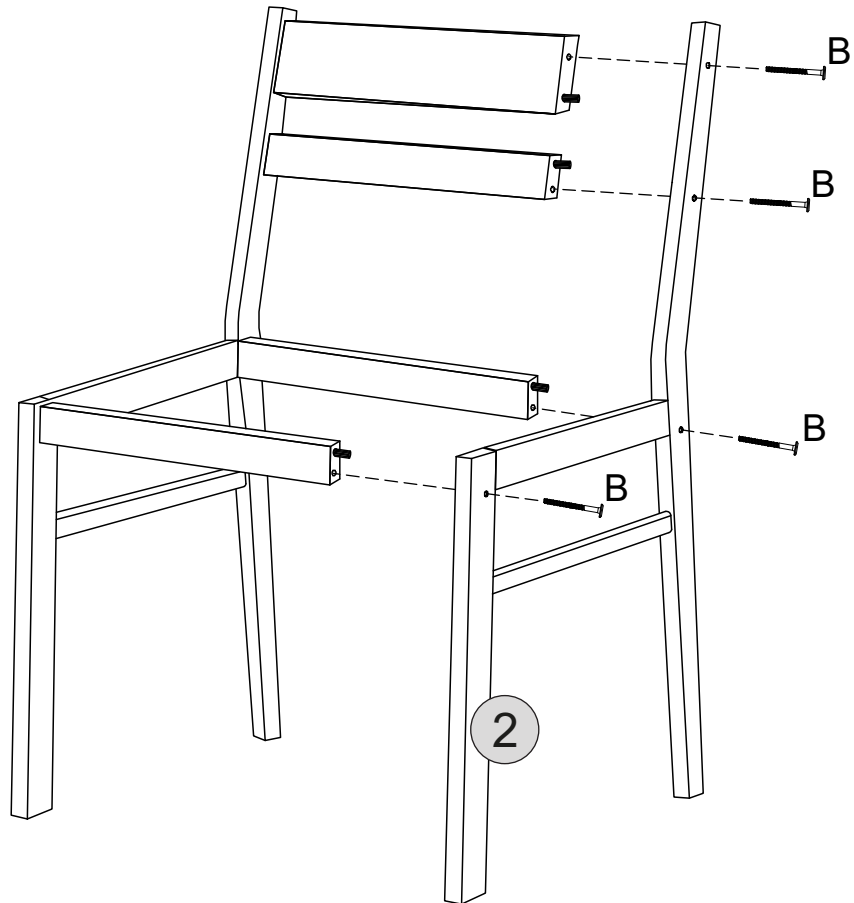
2 - CHAIR FRAME(RIGHT) x1



HARDWARE REQUIRED

B  04

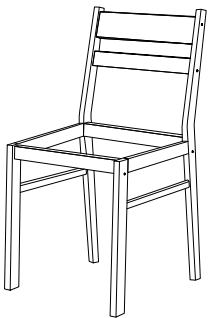
TOOLS REQUIRED



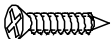
STEP 4

PARTS REQUIRED

5 - SEAT PAD x1



HARDWARE REQUIRED

C  04

TOOLS REQUIRED

