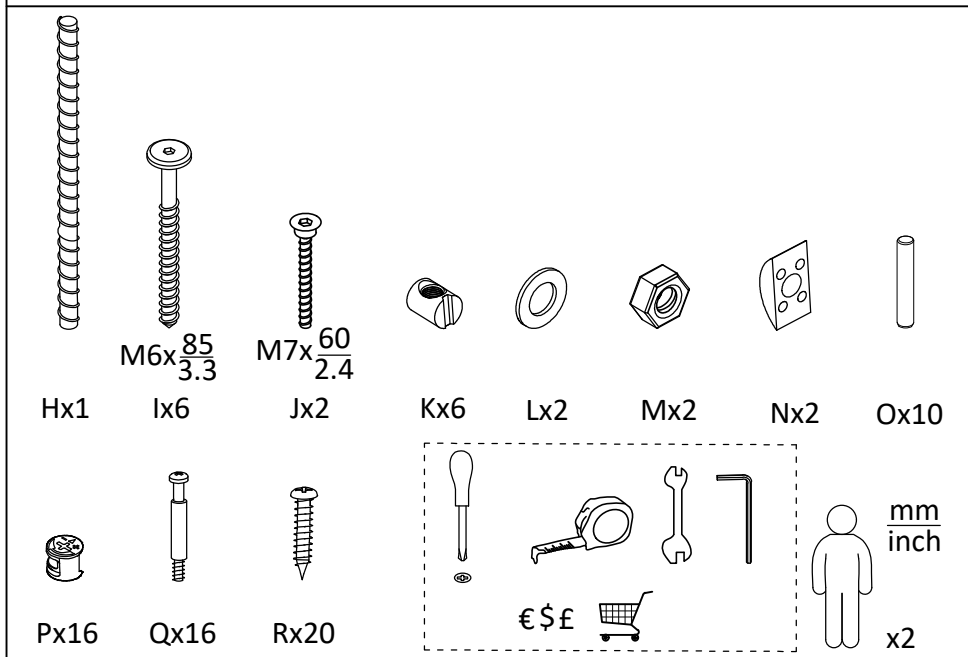
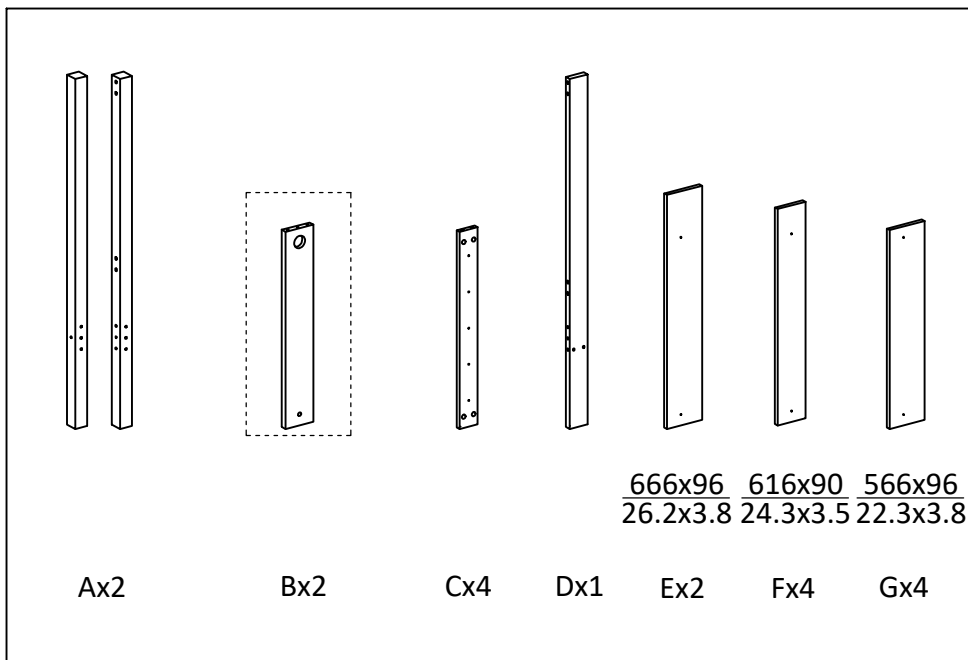
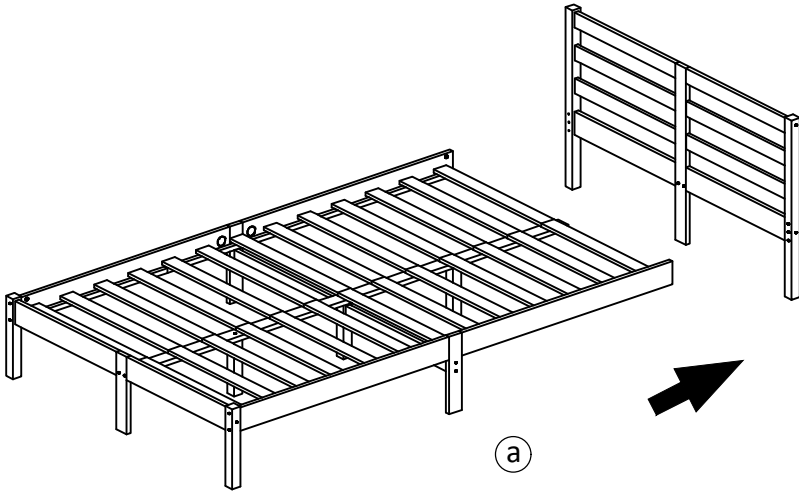


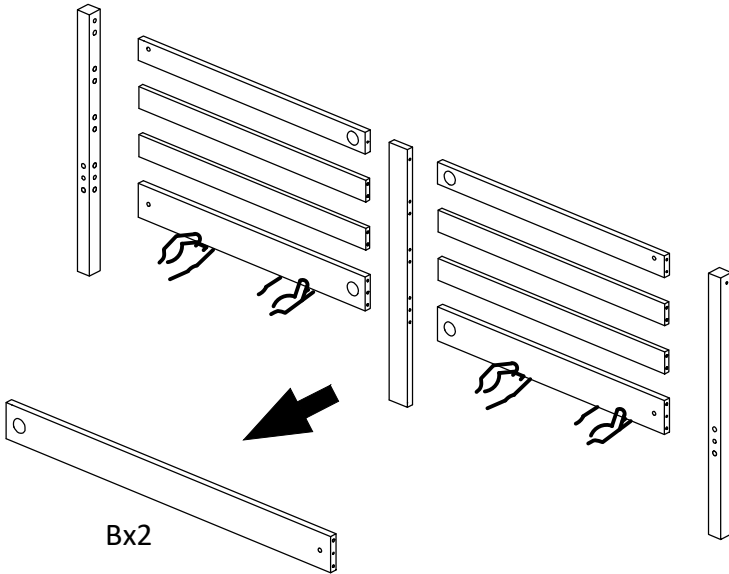
Installation & Assembly



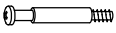
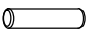
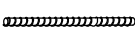
1

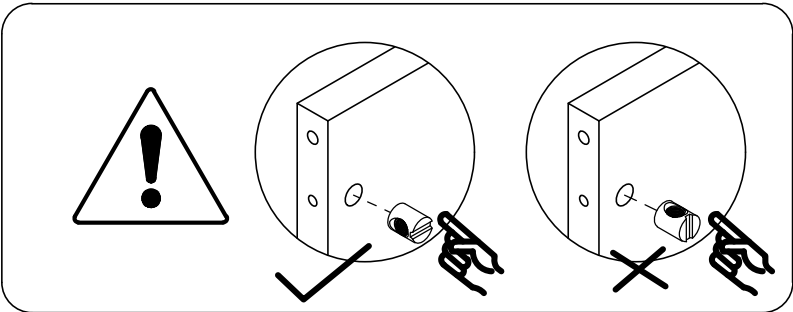
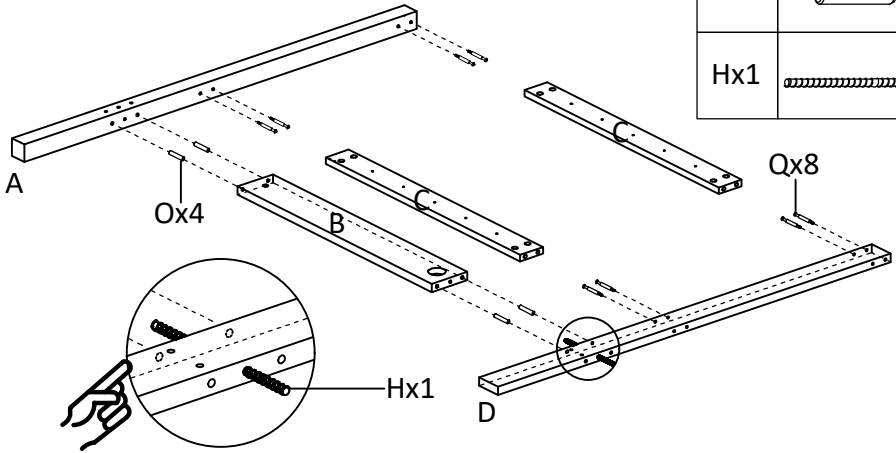


2



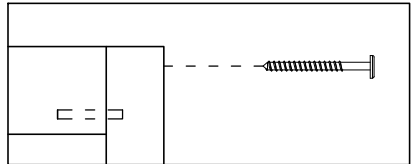
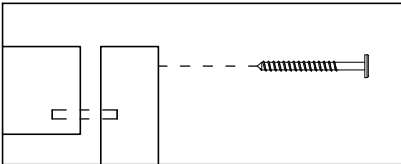
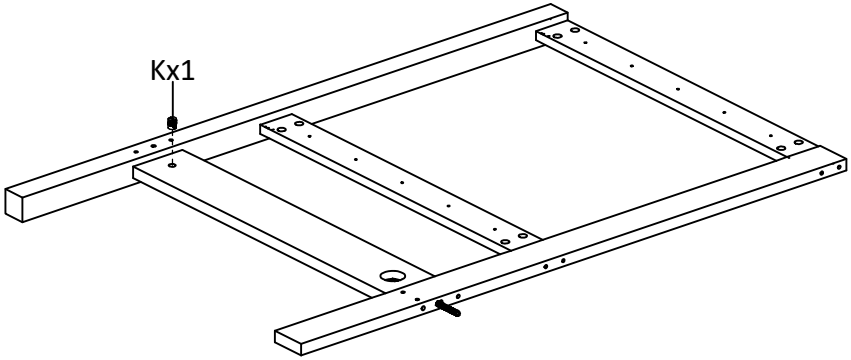
3

Qx8	
Ox4	
Hx1	

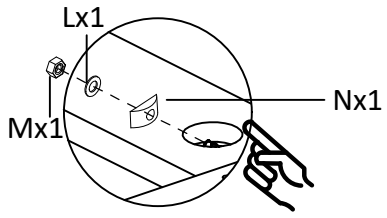



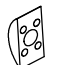


4

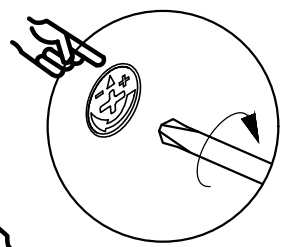
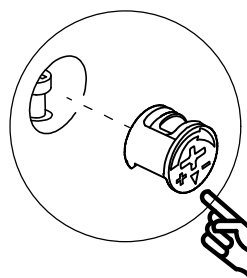
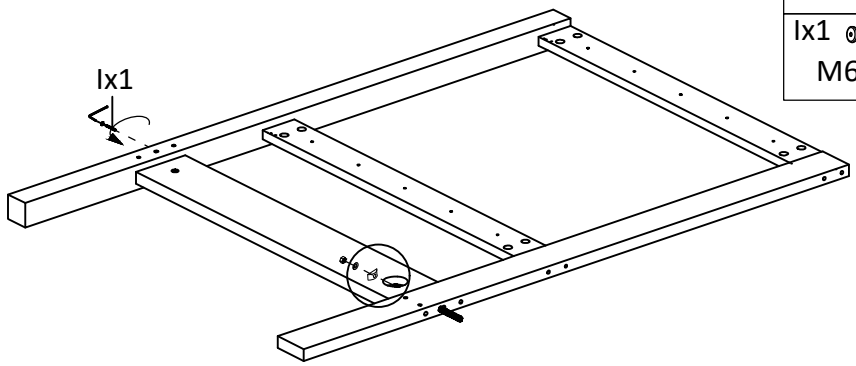
Kx1



5

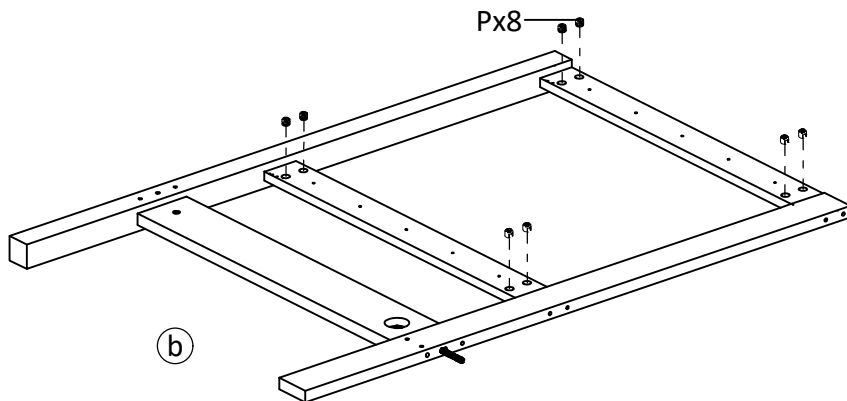


- Lx1 
- Nx1 
- Mx1 
- lx1  M6x⁸⁵/_{3.3}



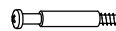
6

Px8

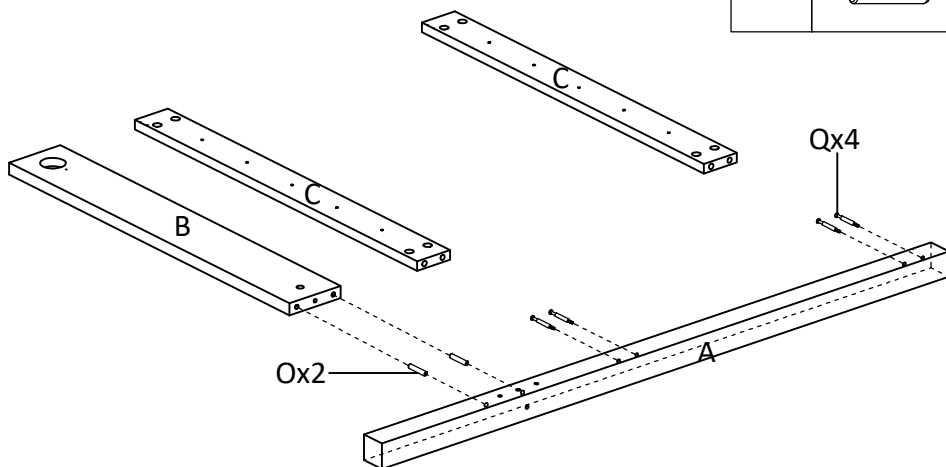


7

Qx4

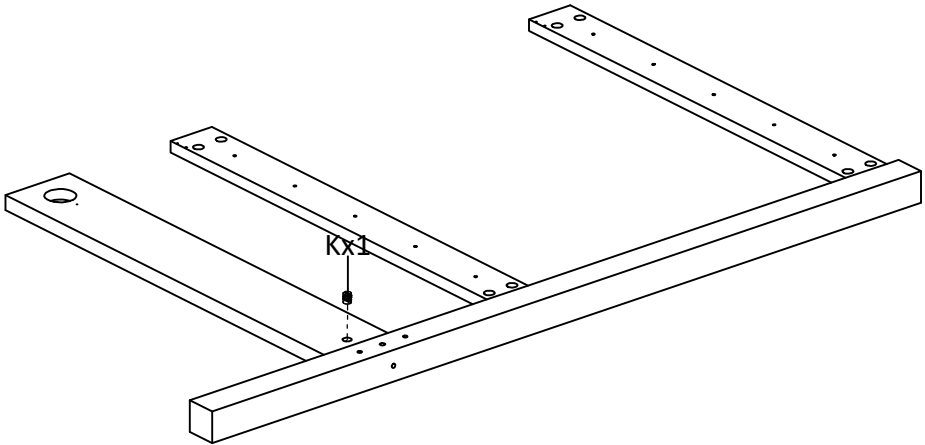


Ox2



8

Kx1



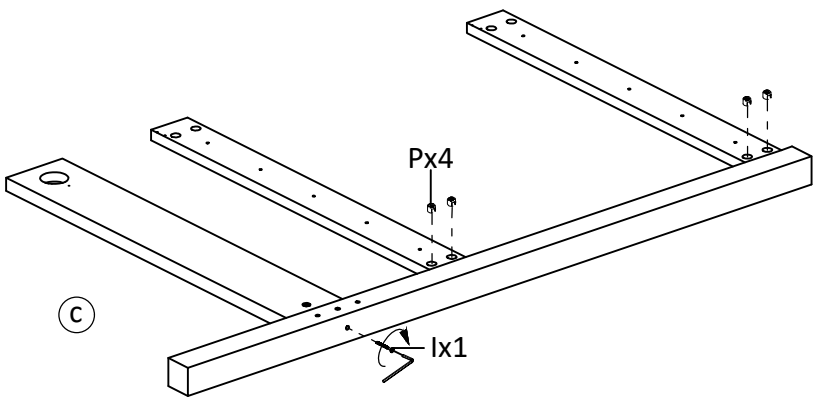
9

Px4

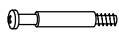
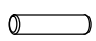


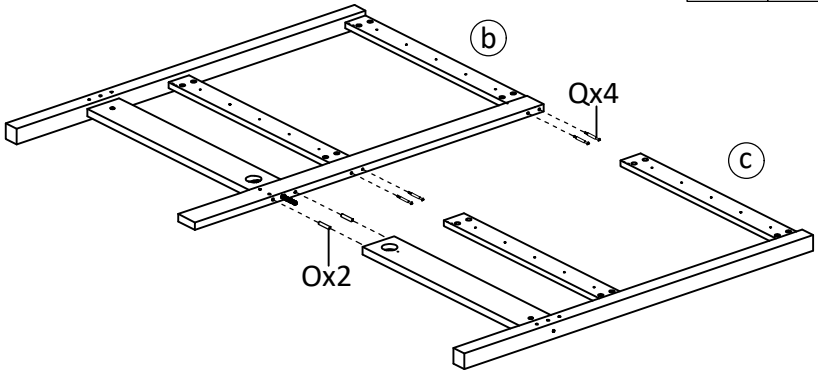
lx1

M6x85
3.3







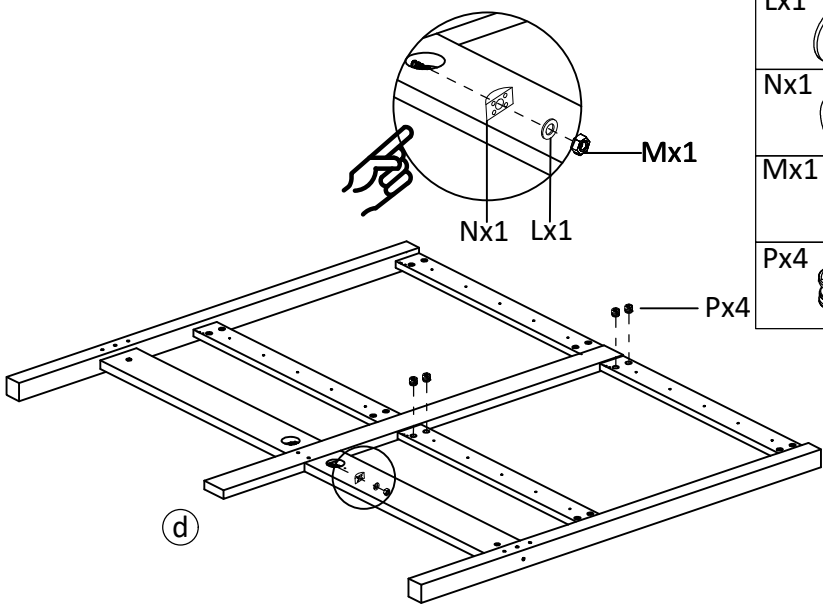
10

Qx4	
Ox2	

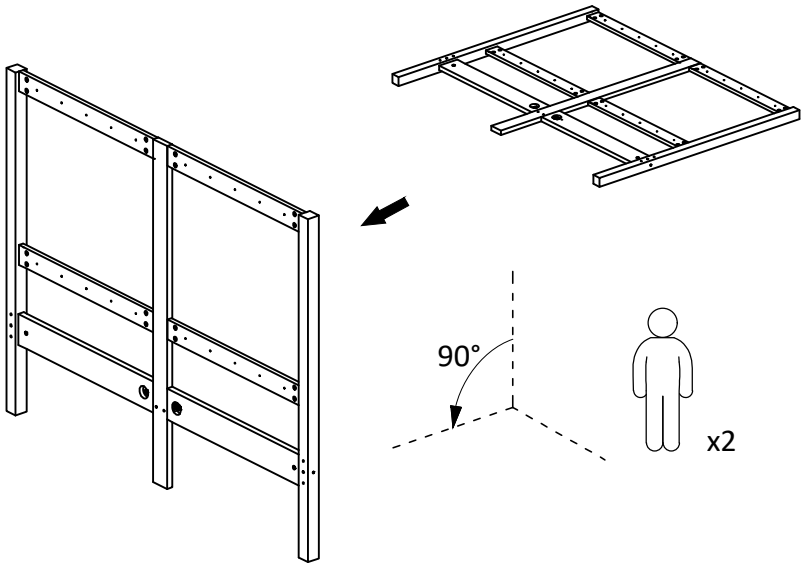


11

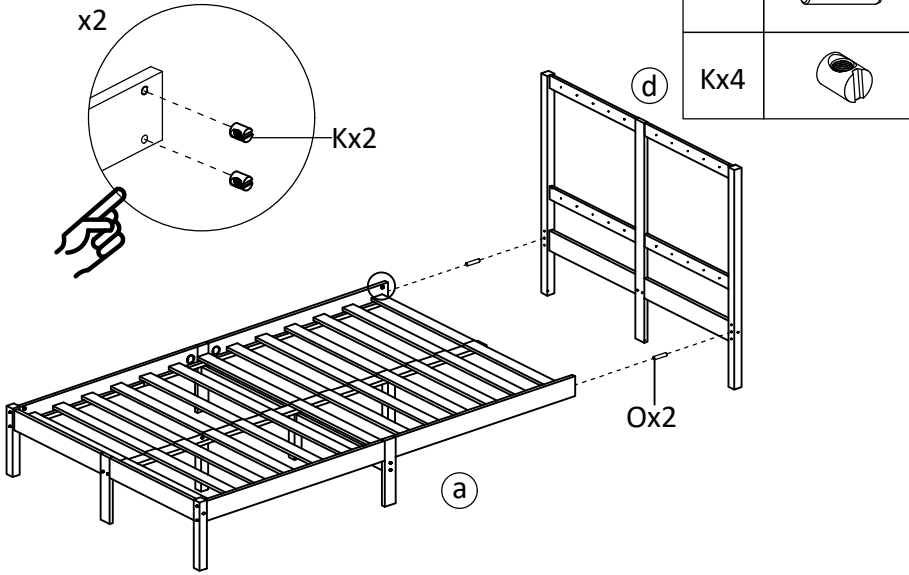
Lx1	
Nx1	
Mx1	
Px4	



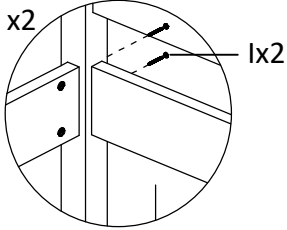
12





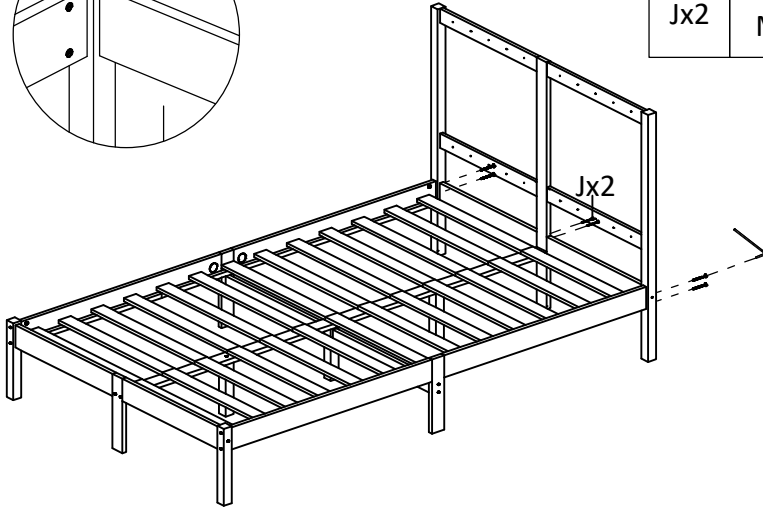
13



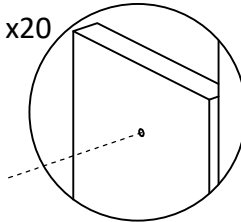
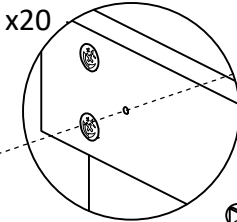
14

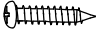


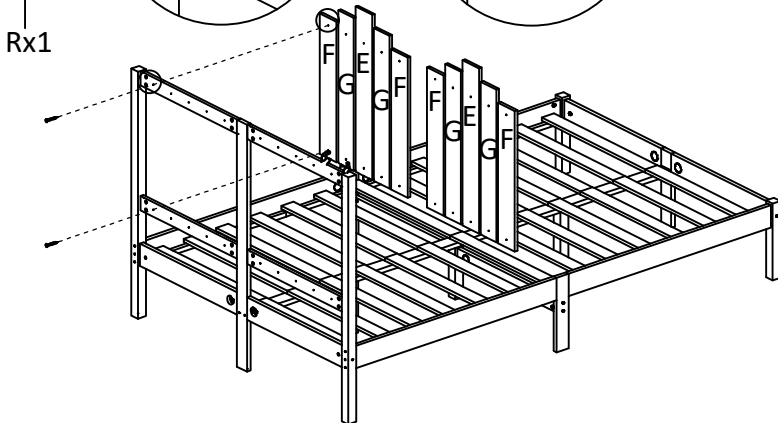
Ix4	 M6x $\frac{85}{3.3}$
Jx2	 M7x $\frac{60}{2.4}$



15



Rx20	
------	--



16

