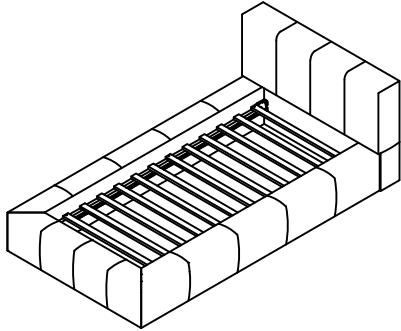


ASSEMBLY INSTRUCTIONS

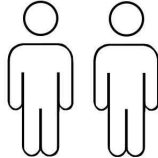
TWIN



+ Do Not Use Power Tools



+ Suggested Adults



NOTE: For questions about parts or assembly please email support@meridianfurnitureusa.com or call us at 718-758-4455.

- 1 Read instructions cover to cover.
- 2 Save all packaging until assembly is completed.

1 IMPORTANT SAFETY INFORMATION

Do not assemble the product if any of the following parts arrived damaged:

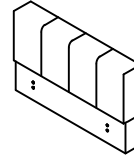
- Part 3 - Side Rails
- Part 4 - Slats

2 IMPORTANT ASSEMBLY INFORMATION

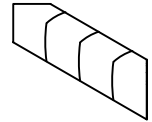
Assembly Step Ensure the side rail bracket is fully hooked onto bolt loosely threaded with both washers on the **OUTSIDE** of the bracket first, then proceed to fully tightening all 4 corners.

+ Parts Included

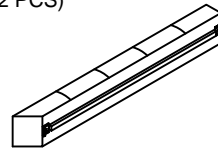
① HEADBOARD
(1 PC)



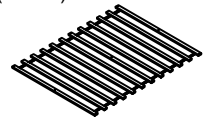
② FOOTBOARD
(1 PC)



③ SIDE RAILS
(2 PCS)



④ SLATS
(1 SET)



+ Hardware Included

A M4 x 38mm
(6 PCS)



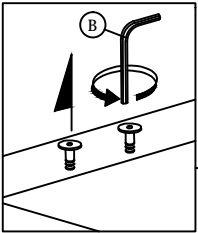
B M5
(1 PC)



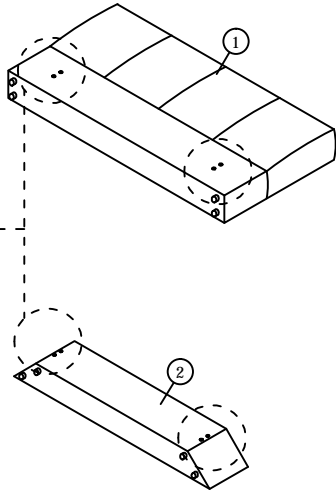
ASSEMBLY INSTRUCTIONS

TWIN

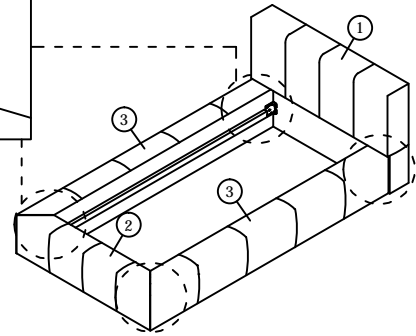
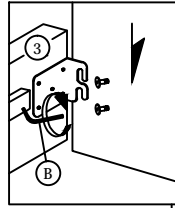
1



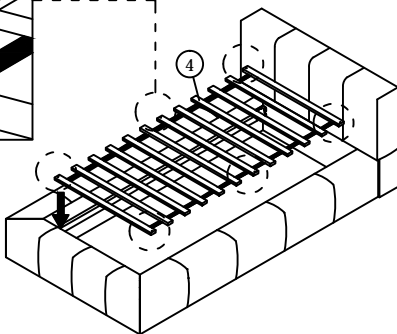
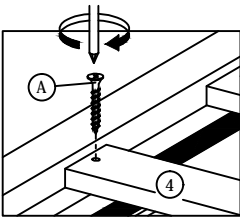
Loosen the pre-inserted bolt on the headboard and footboard using Allen key ball shape (B).



2



3



4

