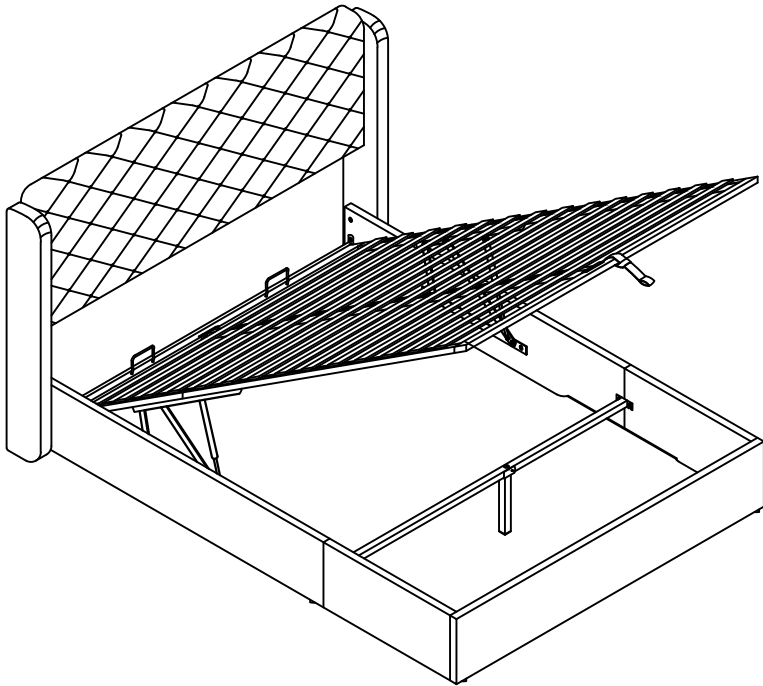


STANDARD BED



WARNING: OPEN THE HEADBOARD BACK ZIPPER, THE BED REST PARTS IN IT.

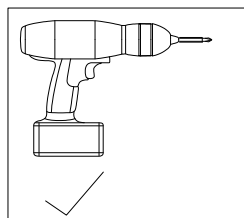


**Please TEAR OFF this shrink film from side!
DO NOT USE CUTTER!**

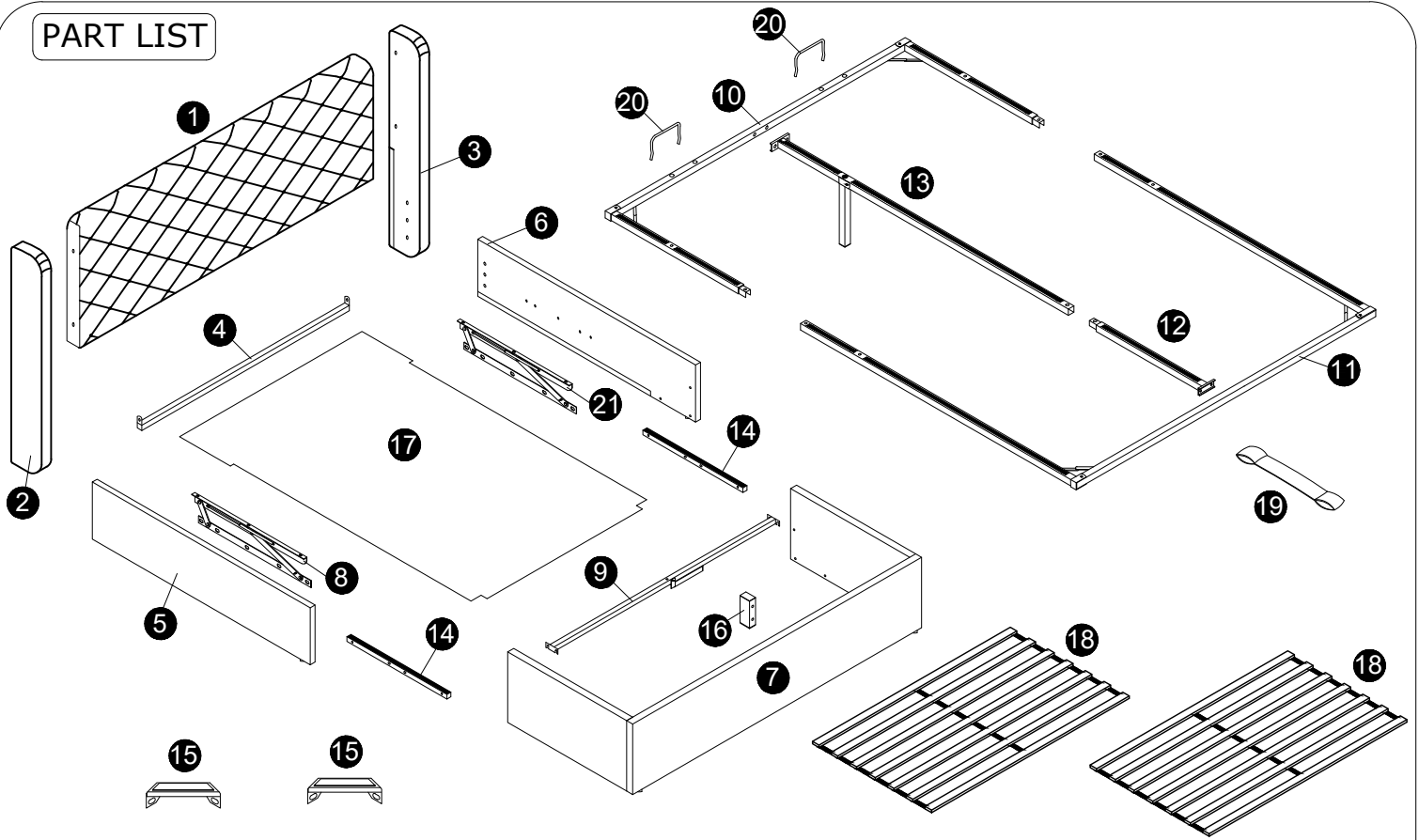
ITEM NUMBER: BH004

IMPORTANT NOTE

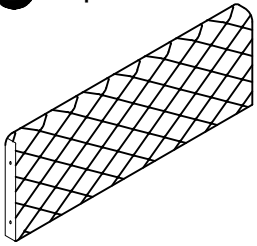
- 1. PLEASE OPEN THE ZIPPER LOCATED ON THE HEADBOARD TO ACCESS ALL THE OTHER COMPONENTS BEFORE PROCEEDING WITH THE ASSEMBLY.**
2. FOR THE PROTECTION OF YOUR FURNITURE, PLACE ALL PARTS ON A CLEAN AND SMOOTH SURFACE TO PREVENT ANY DAMAGE.
3. DO NOT USE POWER TOOLS TO ASSEMBLE THE BED.
4. PLEASE PERIODICALLY CHECK ALL FITTINGS AND RE-TIGHTEN AS NECESSARY.
5. DO NOT USE THE BED UNLESS ALL BOLTS AND SCREWS ARE FIRMLY SECURED.
6. NEED PARTS OR ASSISTANCE? EMAIL US AT support@velocavabed.com
7. YOU CAN ASSEMBLE IT WITH OUR PACKAGING TOOLS OR WITH A.



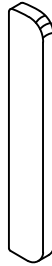
PART LIST



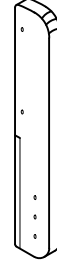
1 x 1pc



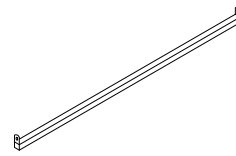
2 x 1pc



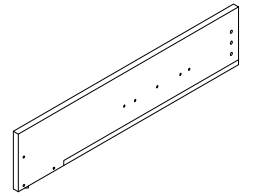
3 x 1pc



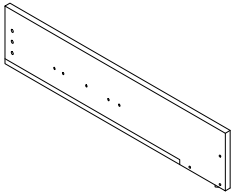
4 x 1pc



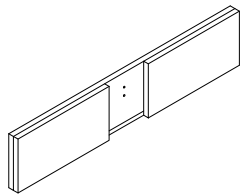
5 x 1pc



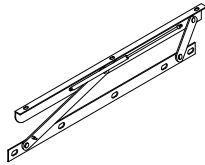
6 x 1pc



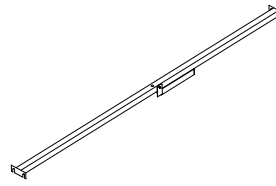
7 x 1pc



8 x 1pc



9 x 1pc



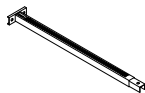
10 x 1pc



11 x 1pc



12 x 1pc



13 x 1pc



14 x 2pcs



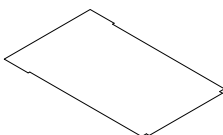
15 x 2pcs



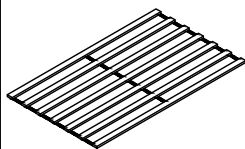
16 x 1pc



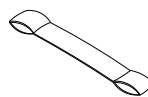
17 x 1pc



18 x 2pcs



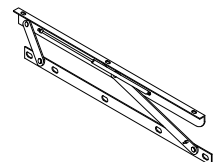
19 x 1pc



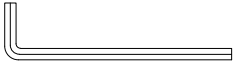
20 x 2pcs



21 x 1pc



HARDWARE LIST



H1 M5 x 1pc



H2 M8x25mm x 23pcs



H3 M8x40mm x 12pcs



H4 M8x60mm x 2pcs



H5 M8 x 51pcs



H6 M8x17mm x 41pcs



H7 M8 x 6pcs



H8 M14 x 1pc



H9 M8x50mm x 14pcs

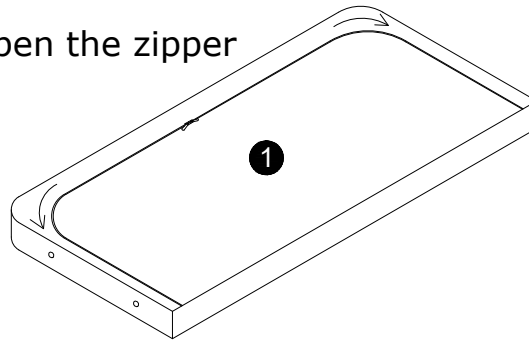


H10 M8x22mm x 10pcs

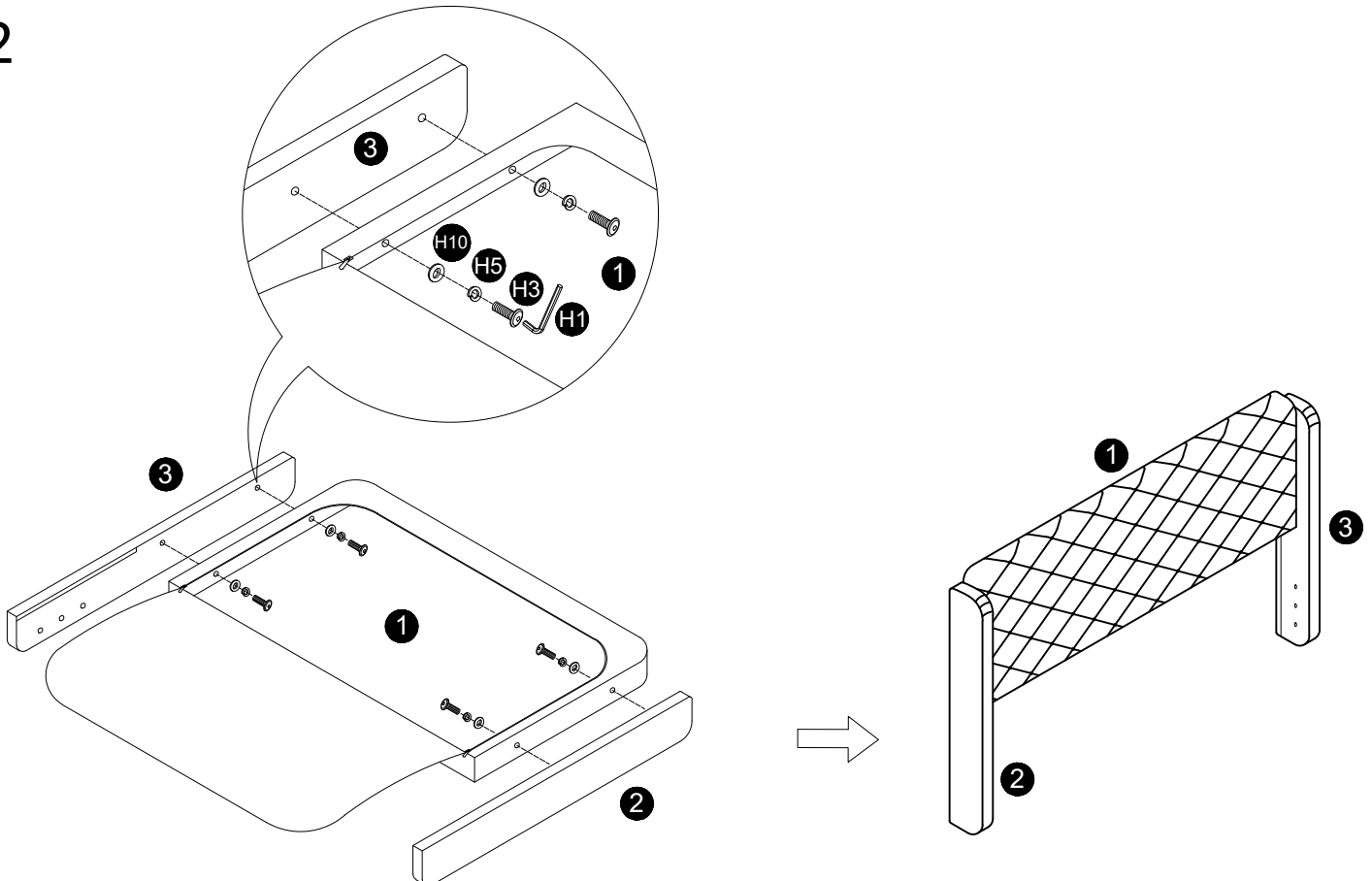
1

NOTE: PLEASE OPEN THE ZIPPER ON THE BACK OF **1** AND TAKE OUT THE PARTS.

Open the zipper

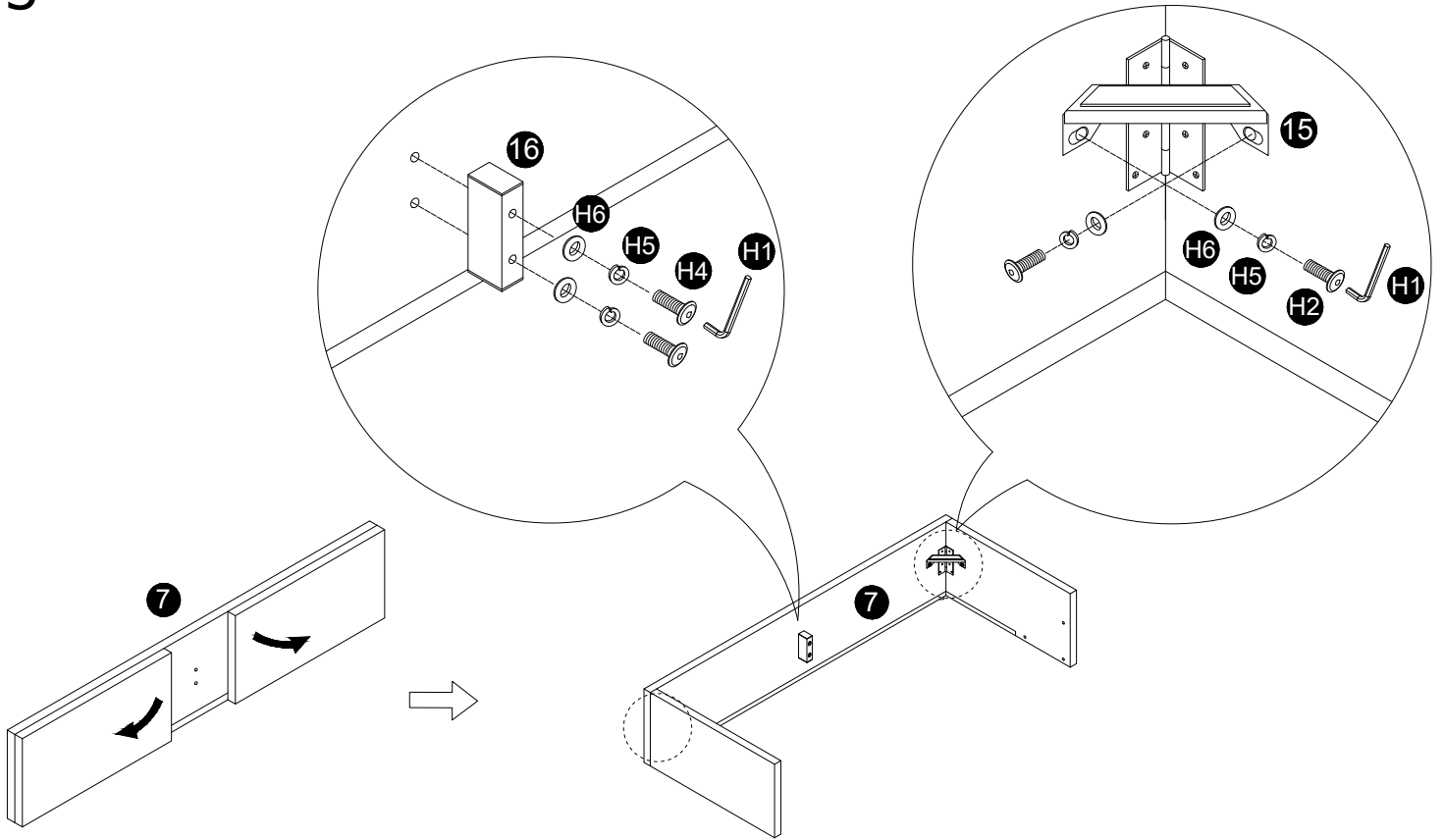


2

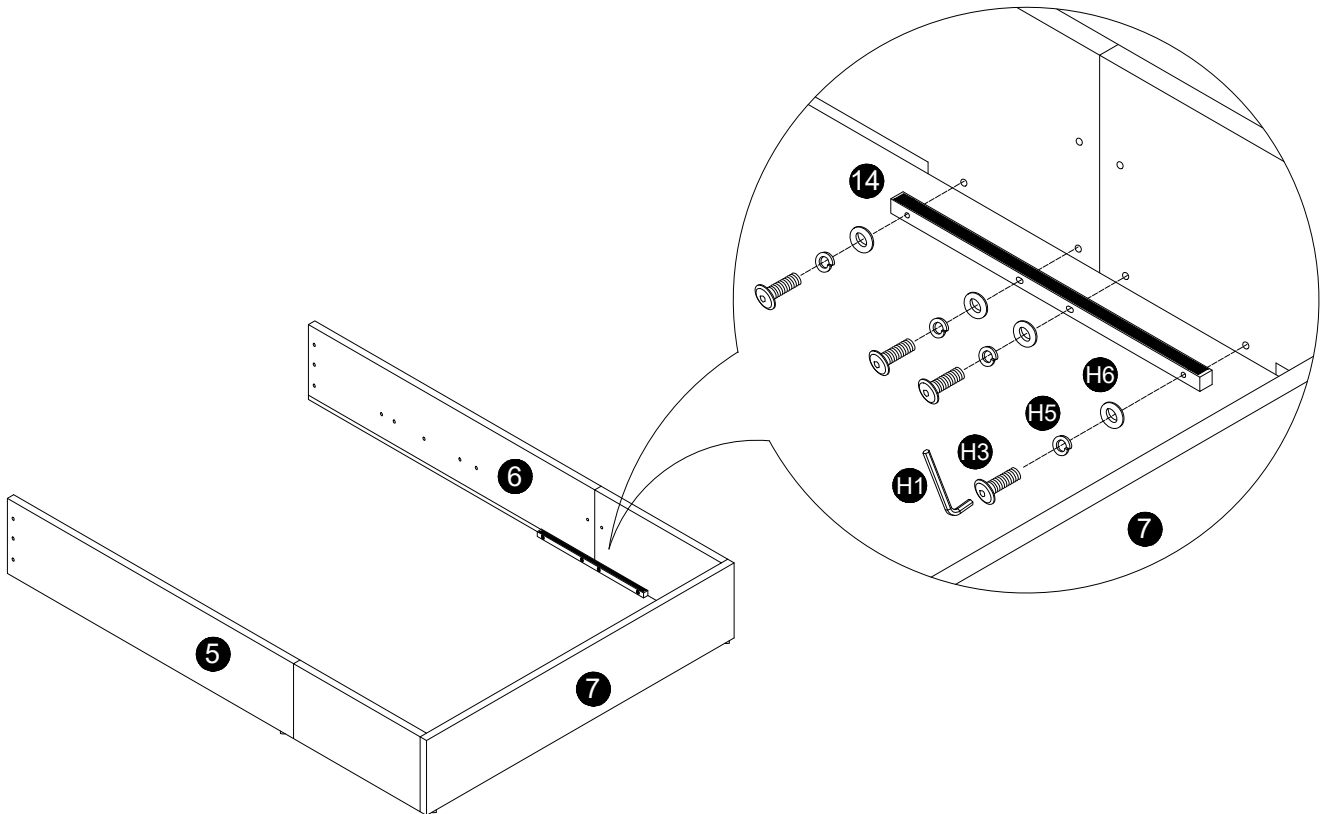


3

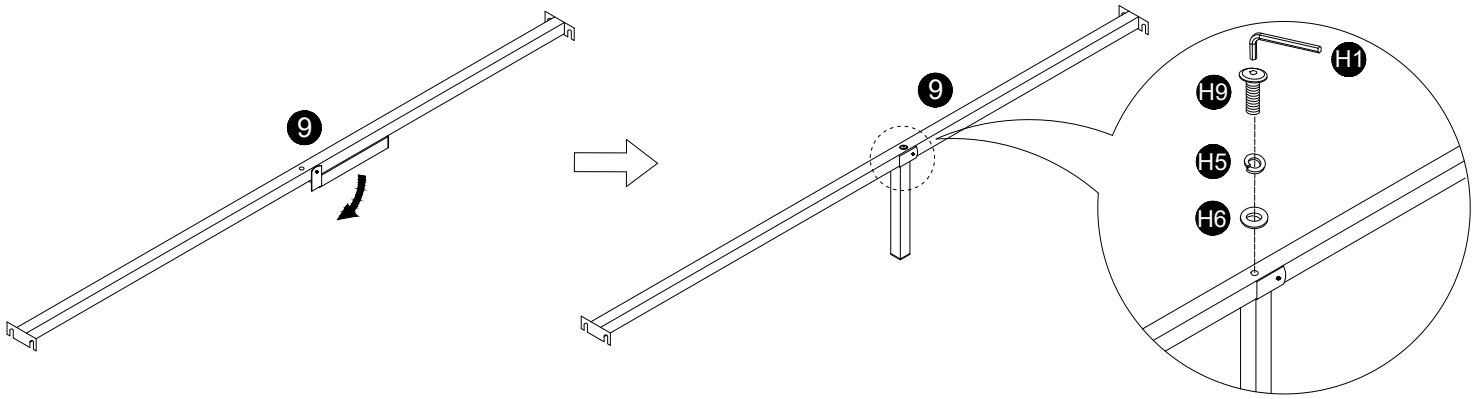
3



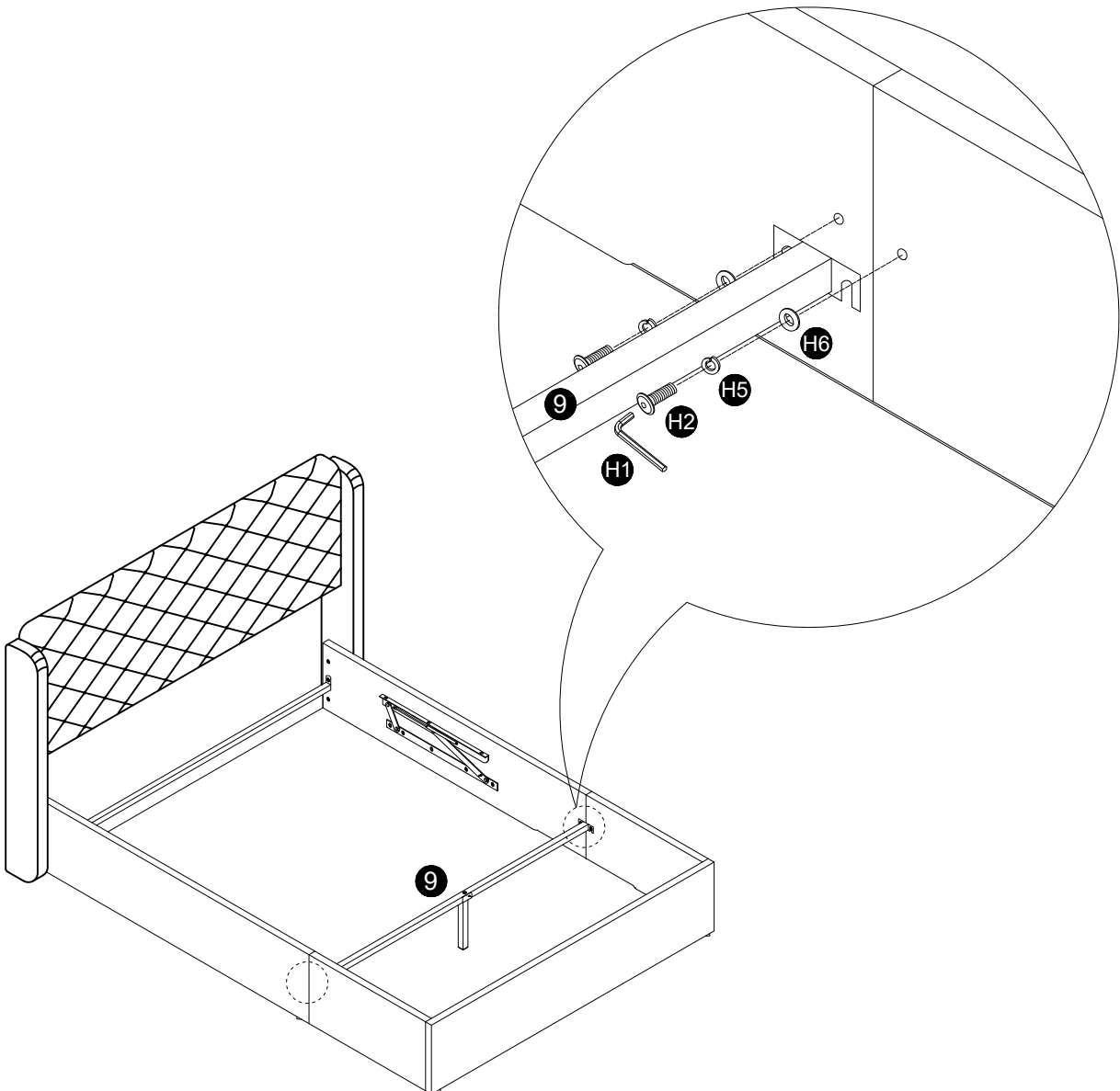
4



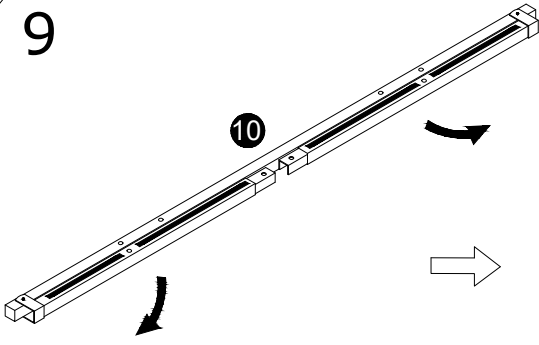
7



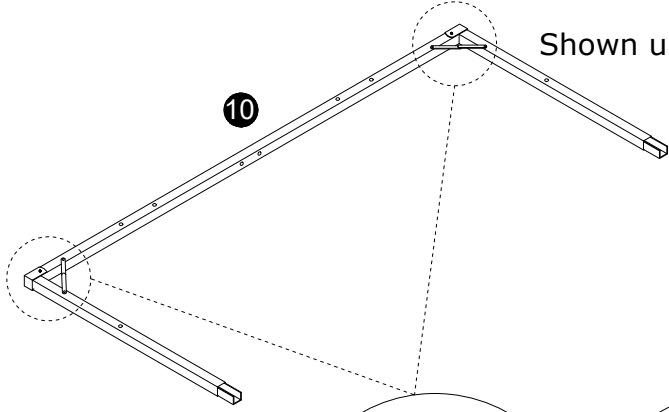
8



9

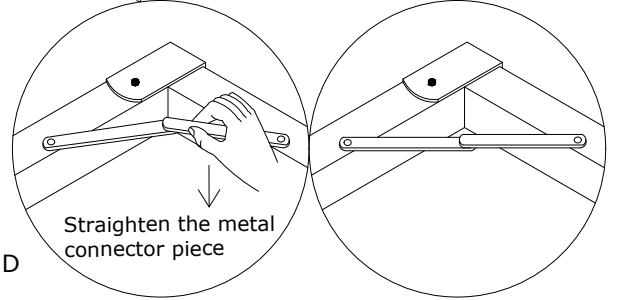


10



Shown upside down

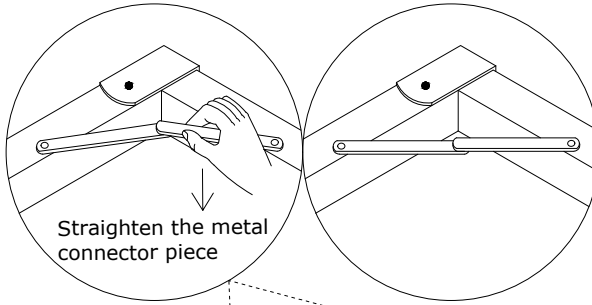
10



Straighten the metal connector piece

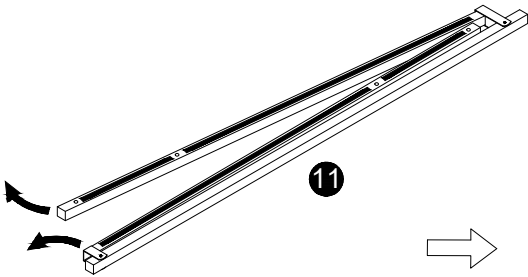
BEWARE OF CLAMP HAND

10

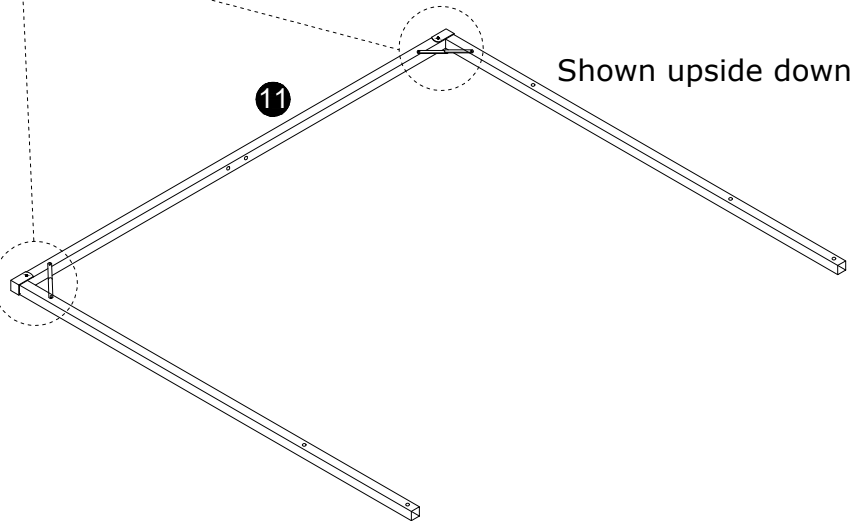


Straighten the metal connector piece

BEWARE OF CLAMP HAND



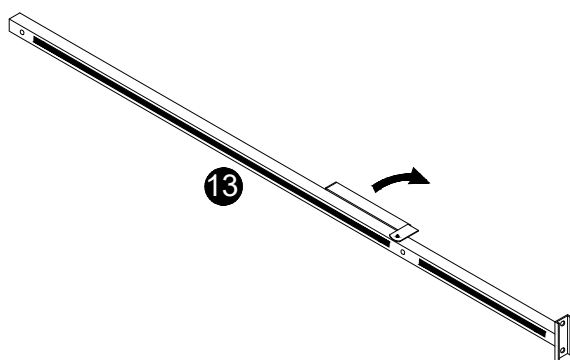
11



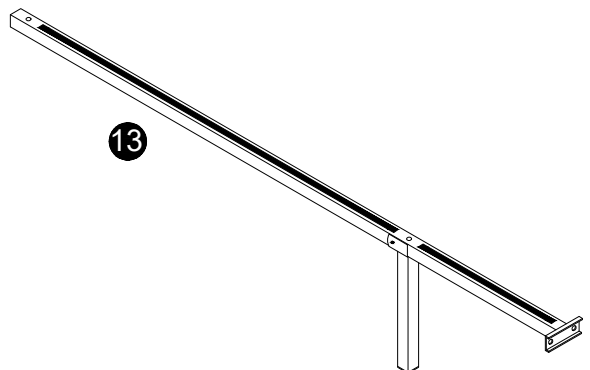
Shown upside down

11

11

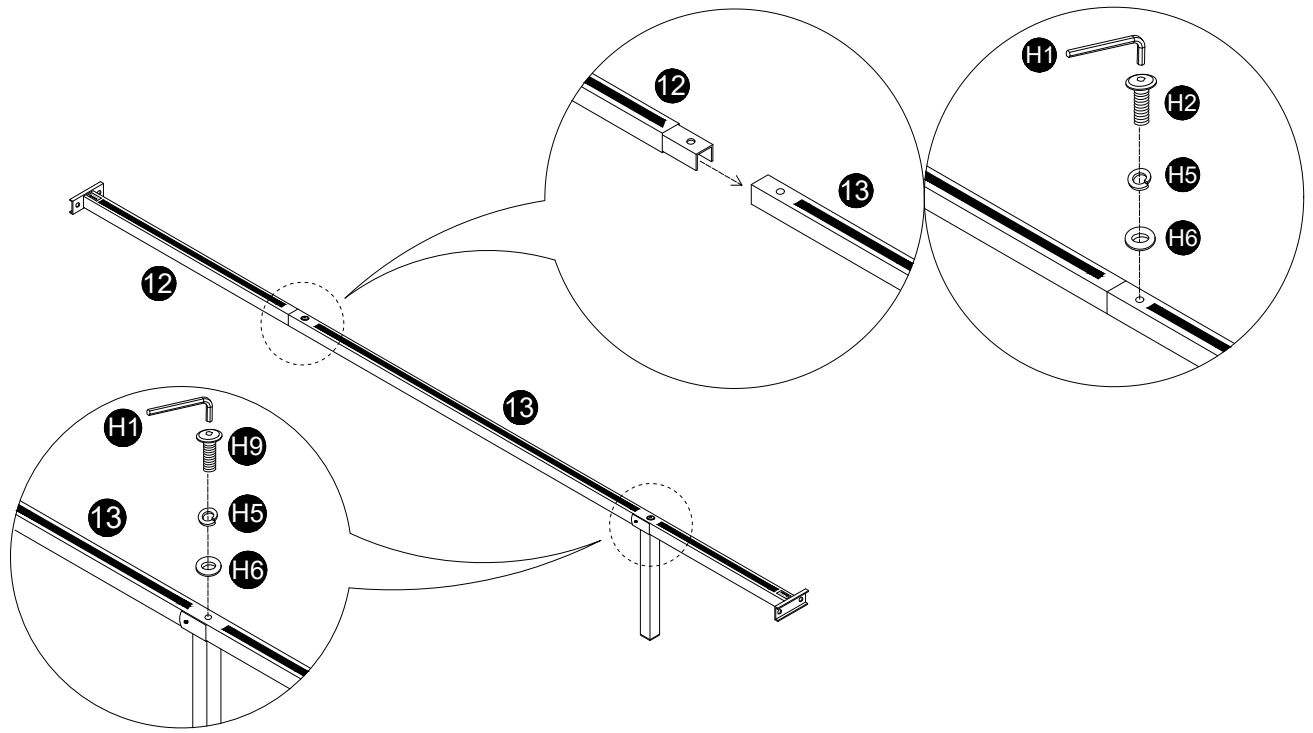


13

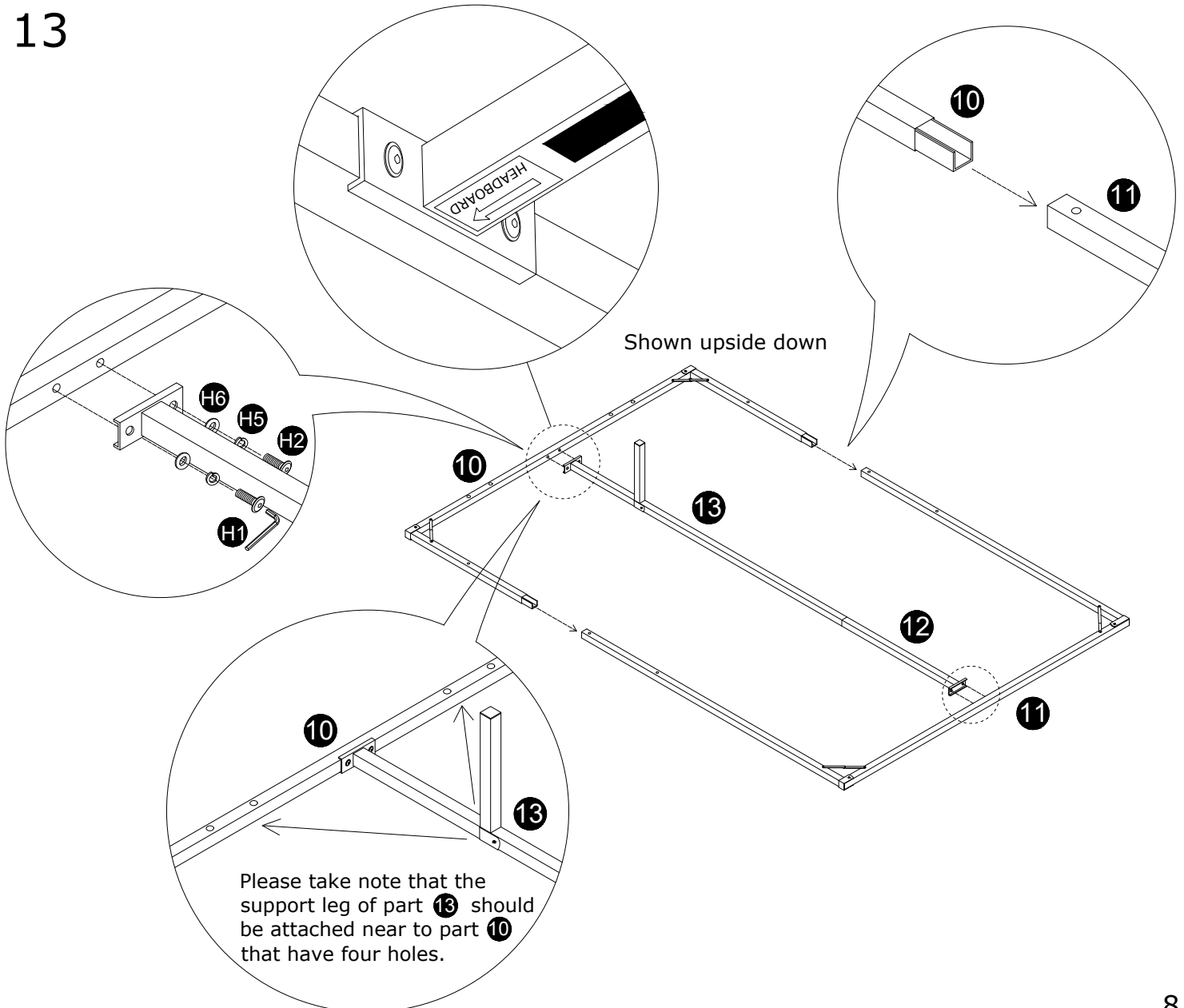


13

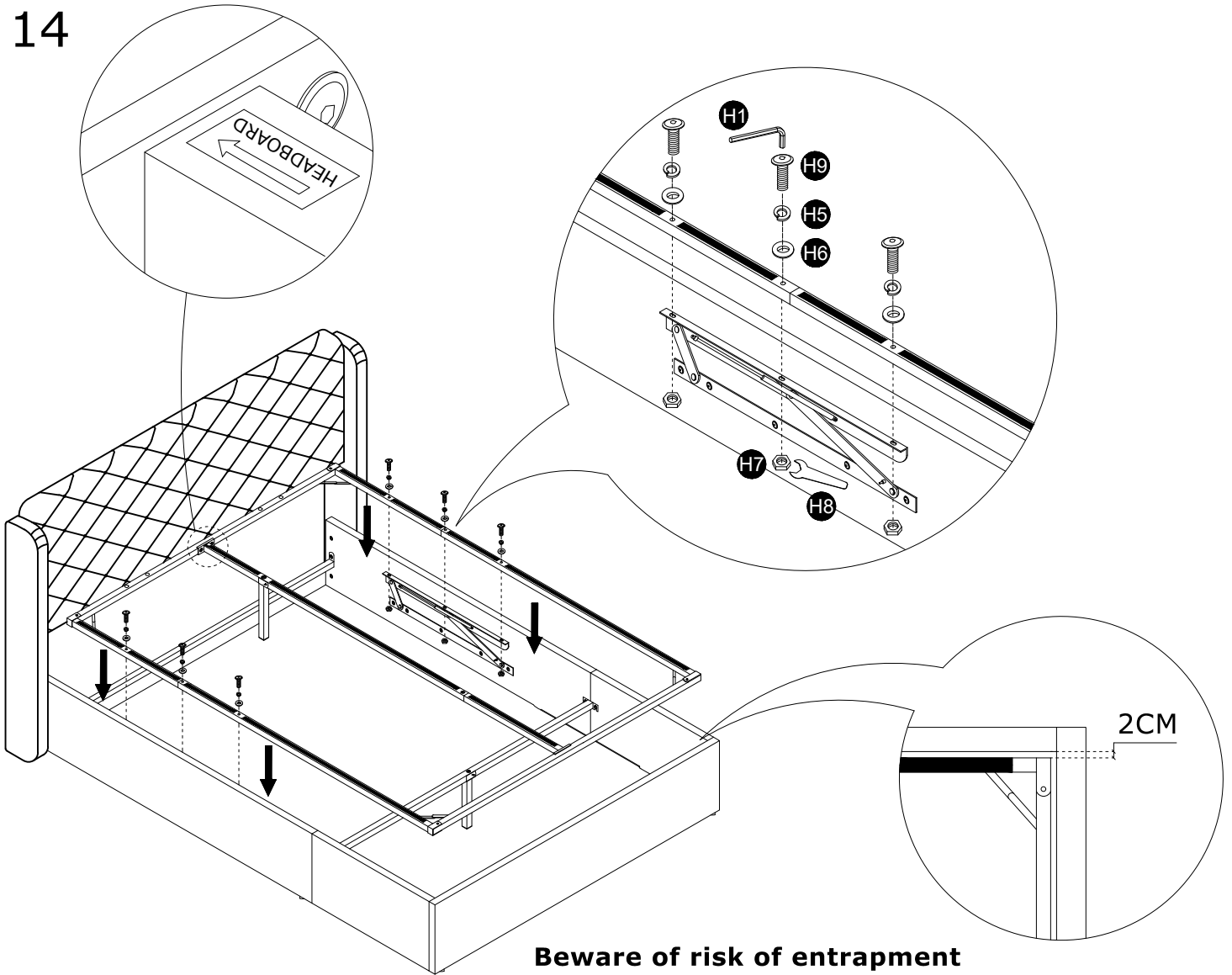
12



13

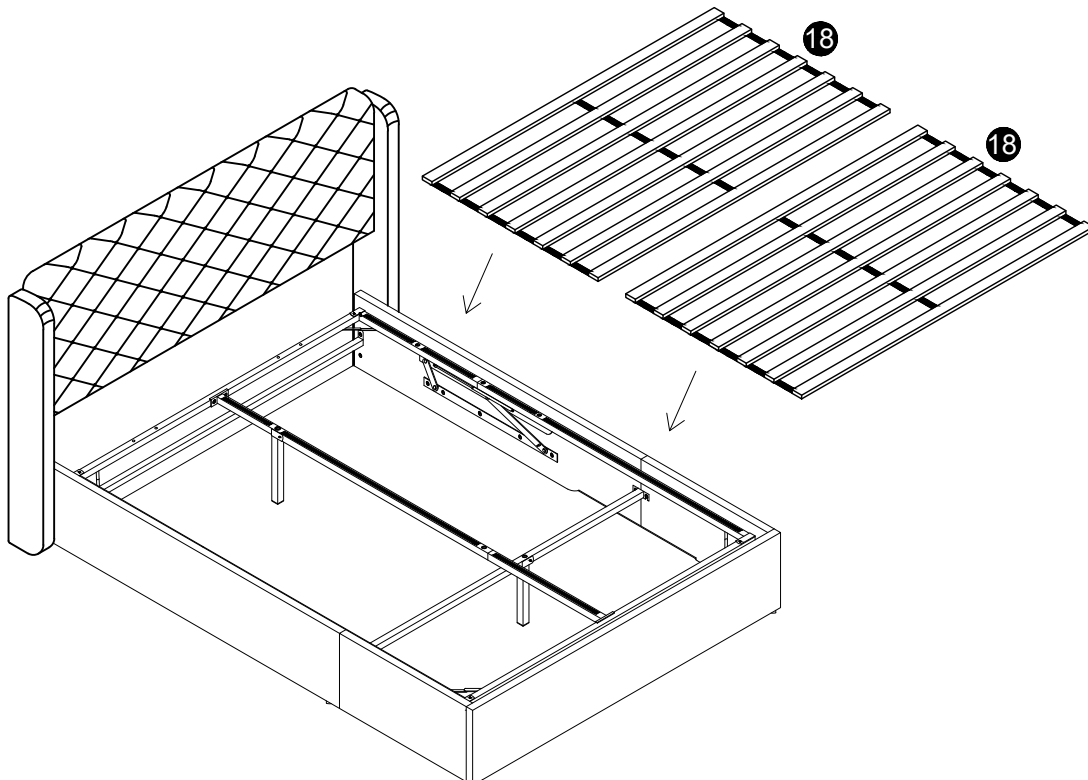


14

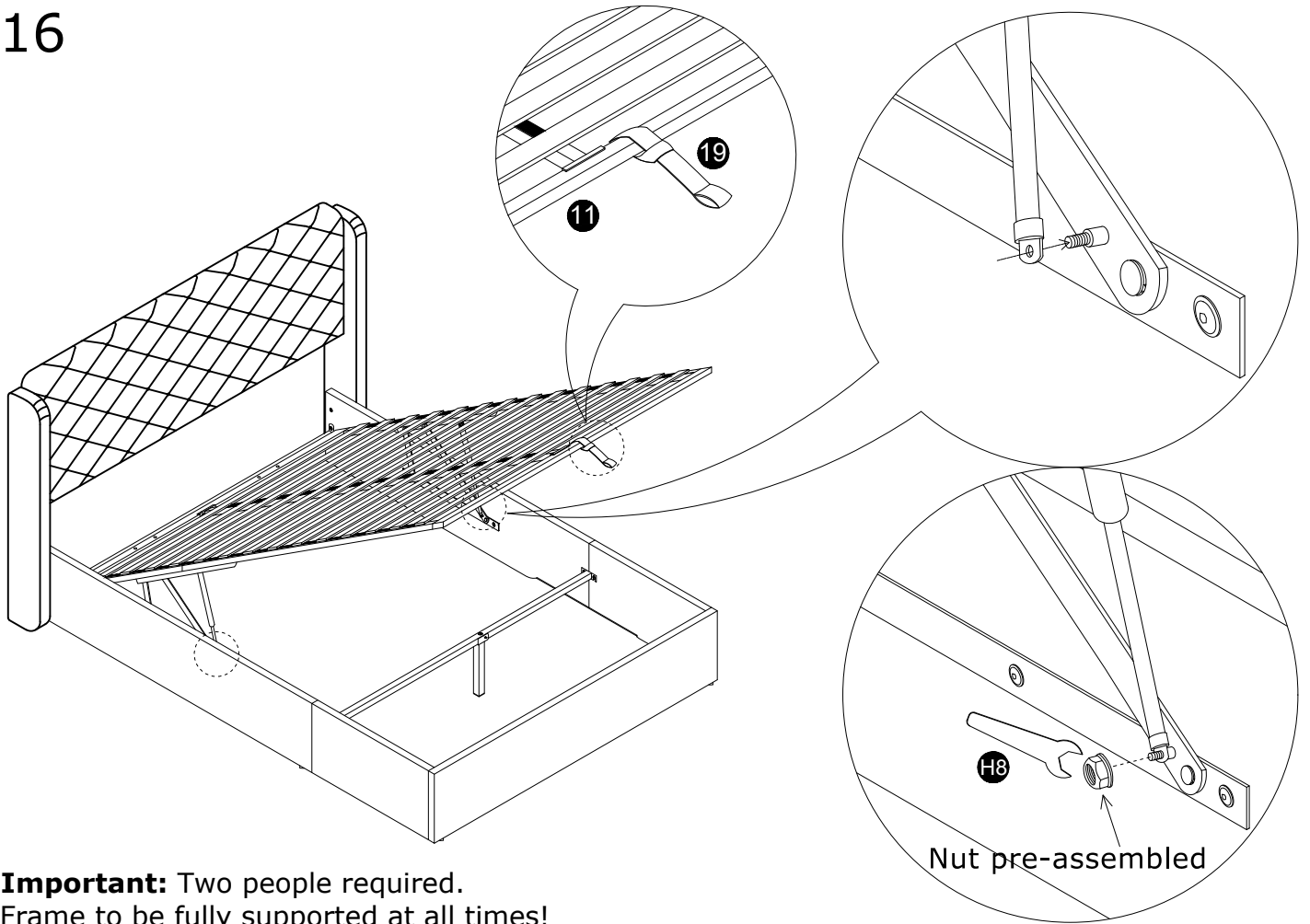


**Beware of risk of entrapment
from folding hinges!**

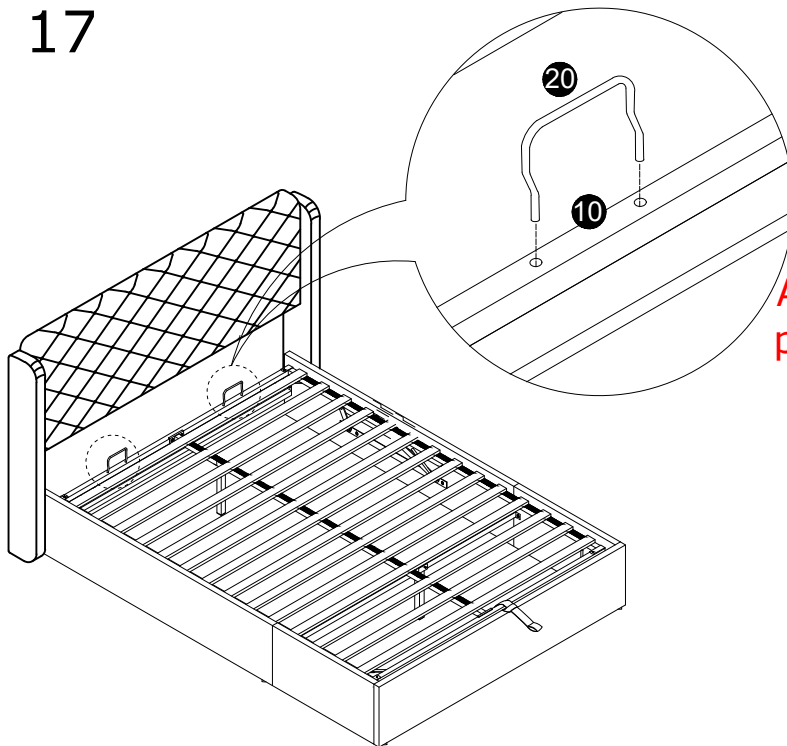
15



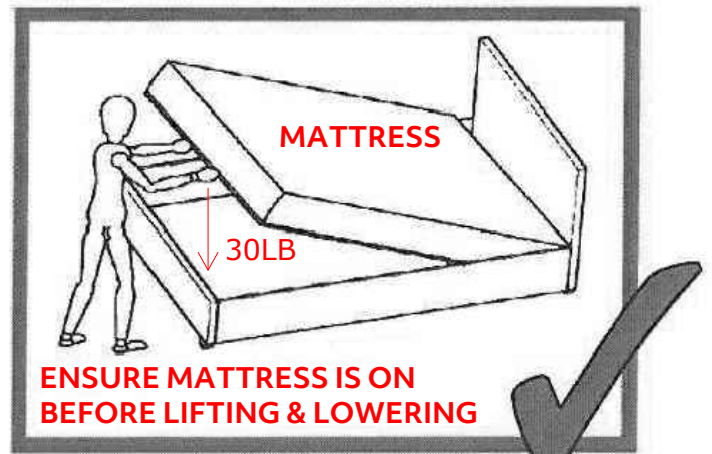
16



17



After placing the mattress on frame,
push down the frame with 30lbs force.



Job Complete !

In the interest of our environment please dispose of all packaging thoughtfully.