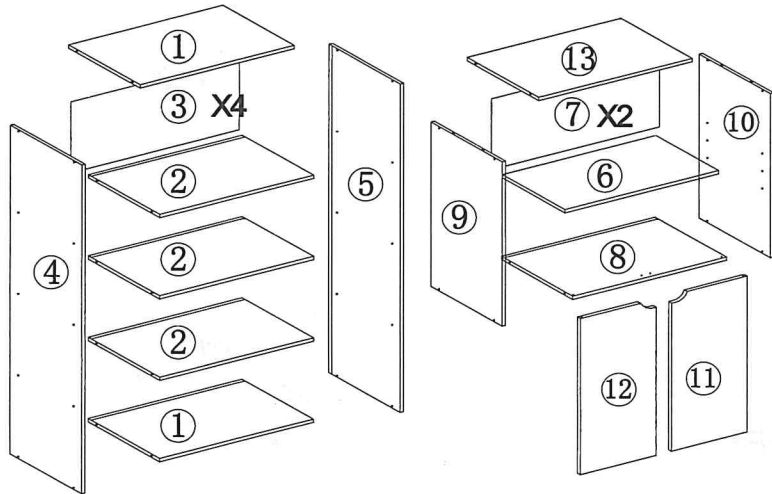
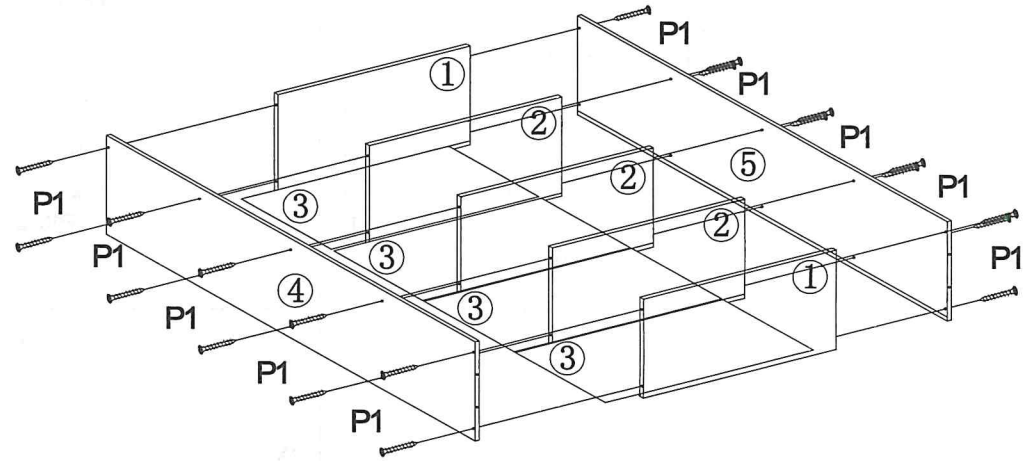


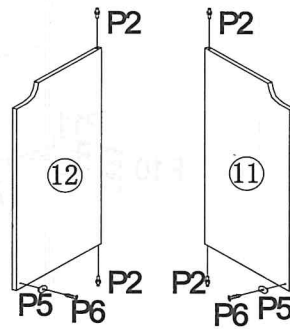
ASSEMBLING INSTRUCTIONS



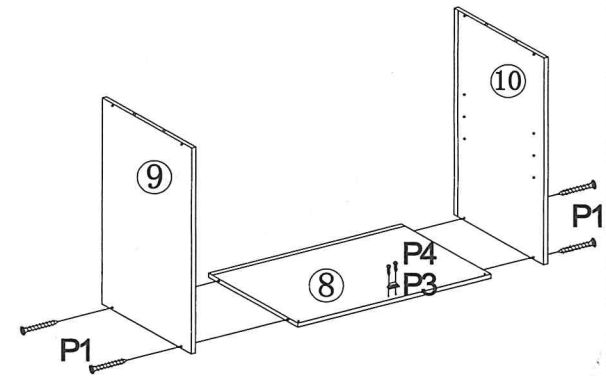
1



2



3



P1		M4X35mm	30 PCS	P9			2 PCS
P2			4 PCS	P10		M3.5X12mm	10 PCS
P3			1 PC	P11			2 PCS
P4		M3X14mm	2 PCS	P12			28 PCS
P5			2 PCS	P13			4 PCS
P6		M3X8mm	2 PCS	P14			1 PC
P7			2 PCS	P15			4 PCS
P8			4 PCS	P16			4 PCS