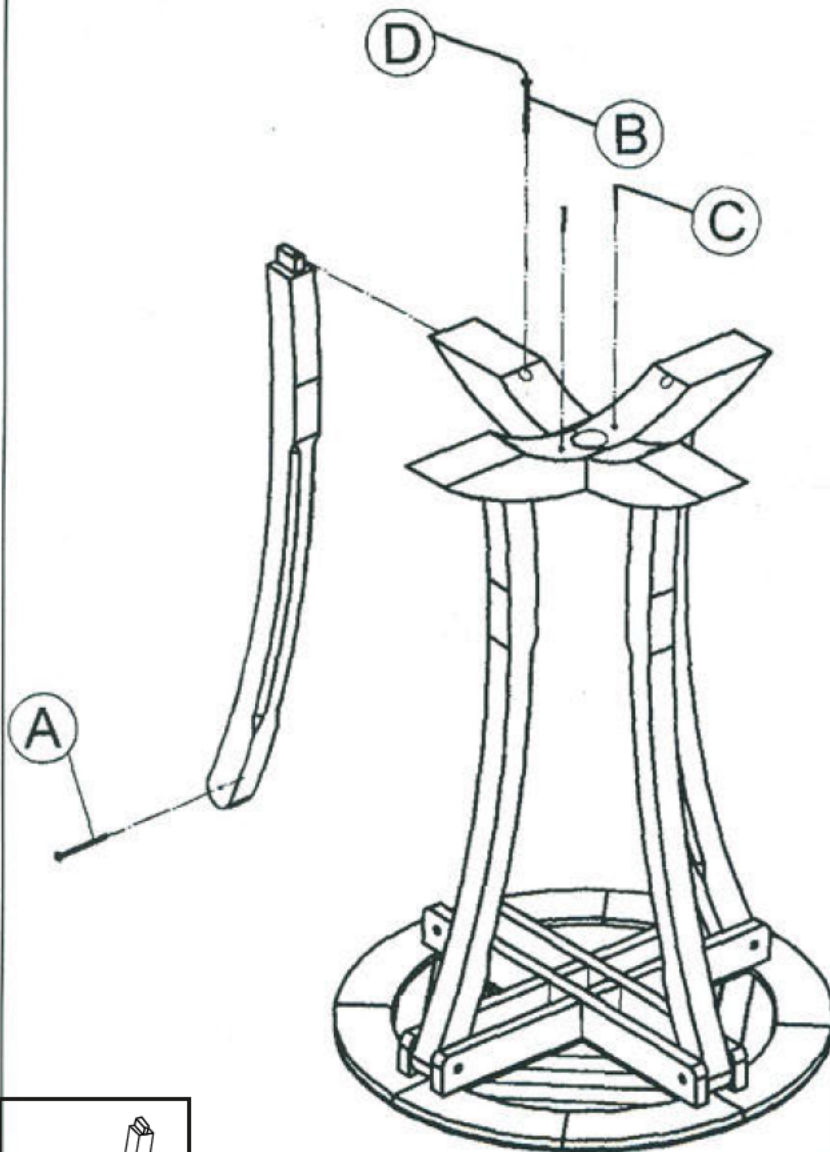


ASSEMBLY INSTRUCTIONS

BAR TABLE



STEP1:
Assemble the 2 base components. Set aside. Then begin attaching 4 legs to underside of the table

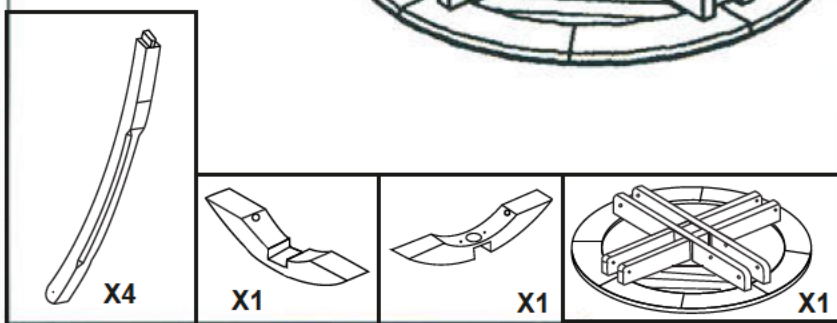
STEP2:
Gently tighten legs under table before placing base unit to the bottom of legs.

STOP! PLEASE READ FIRST:

Thank you for purchasing this item
Please verify all the hardware and components are included as you unpack the carton. Place the items in a safe area to avoid loss and damaging contents. Use a soft area or use the empty box to assemble the item.

ASSEMBLY TIPS: Assemble upside down with the table top facing down. Never over-tighten any screws or bolts. It's best to assemble with 2 people. I

Please review the "PLEASE OIL ME" card for how to care & maintain your new furniture.



HARDWARE LIST:

(A)	(B)	(C)	(D)	(E)
Bolt 3 1/3"	Screw 3.5"	Screw 1.5"	Hexagonal wrench	Portable Drill Bit
4 Pcs	4 Pcs	4 Pcs	1 Pc	1 Pc