

# ASSEMBLY INSTRUCTIONS

ITEM. : 7509VB37

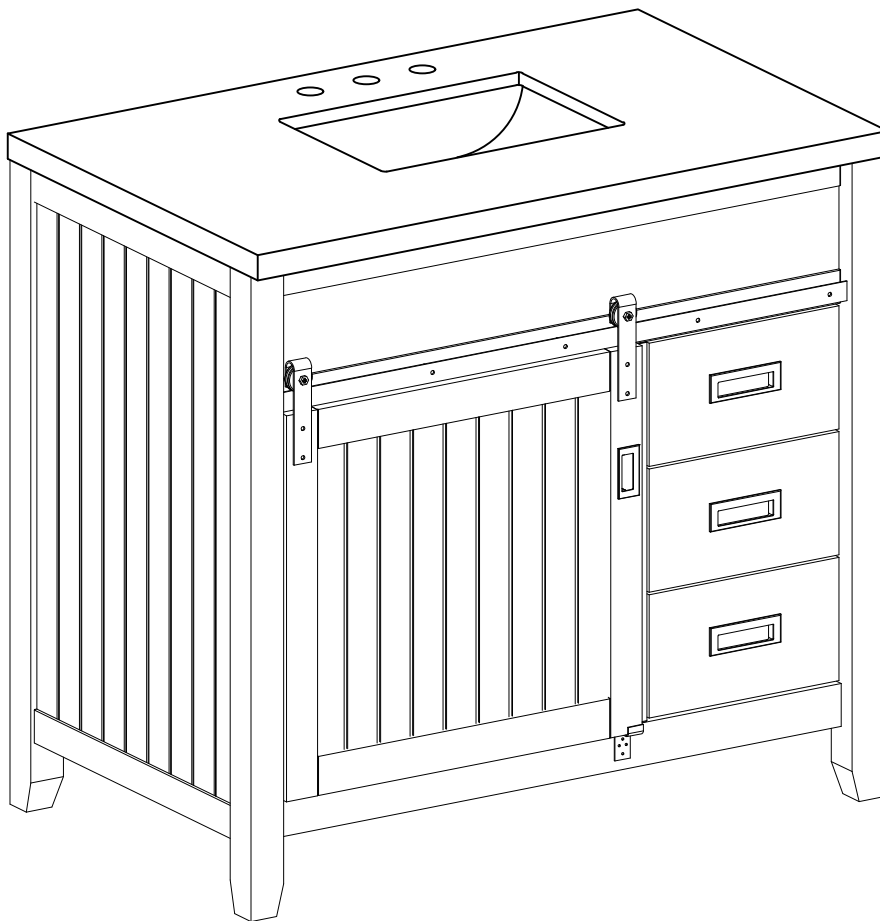
DESCRIPTION : 36" VANITY BASE

## IMPORTANT NOTE

**\*\*PLACE ALL PARTS ON A CLEAN AND SMOOTH SURFACE SUCH AS A RUG OR CARPET TO AVOID THE PARTS FROM BEING SCRATCHED**

**\*\*BEFORE YOU BEGIN, KINDLY FOLLOW THE ASSEMBLY INSTRUCTIONS STEP BY STEP**

**\*\*DO NOT TIGHTEN ALL THUMB SCREWS UNTIL THE CABINET IS FULLY SET-UP**



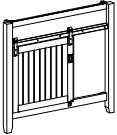

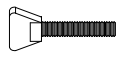
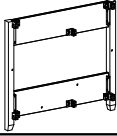






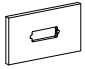
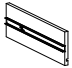
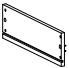

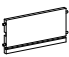

PLEASE DO NOT RETURN PRODUCT TO THE STORE


# ASSEMBLY INSTRUCTIONS

ITEM. : 7509VB37

DESCRIPTION : 36" VANITY BASE

## CARTONS ONLY ONE / HARDWARE LIST

PART LISTS				HARDWARE LIST			
NO	DESCRIPTION	SKETCH	Q'TY	NO	DESCRIPTION	SKETCH	Q'TY
A	Front frame		1 PC	1	Round thumb screw Ø1/4*25mm		8 PCS
				2	Wing thumb screw Ø1/4*30mm		12 PCS
B	Back frame		1 PC	3	Handle thumb screw Ø5/32*20mm		6 PCS
C	Left side panel		1 PC	4	Handle		3 PCS
D	Right side panel		1 PC				
E	Divide panel		1 PC				
F	Bottom panel		1 PC				
G	Drawer Front		3 PCS				
H	Left side drawer		3 PCS				
I	Right side drawer		3 PCS				
J	Bottom drawer		3 PCS				
K	Drawer Rear Panel		3 PCS				
L	Top Stone		1 PC				

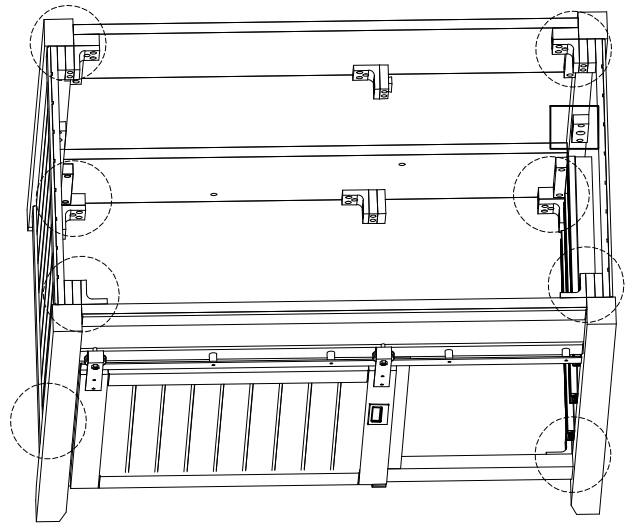
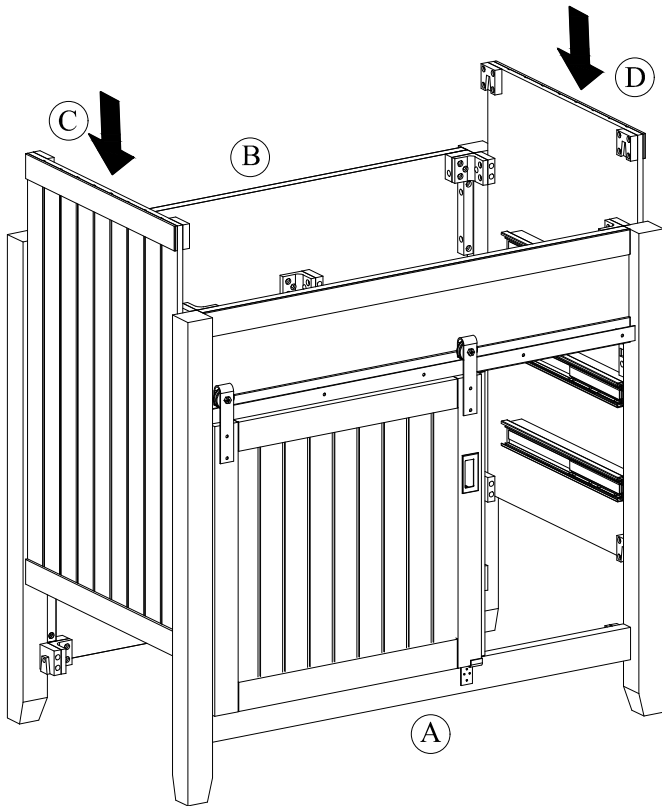
MATERIALS NEEDED (NOT INCLUDED)	
	
Silicone	

# ASSEMBLY INSTRUCTIONS

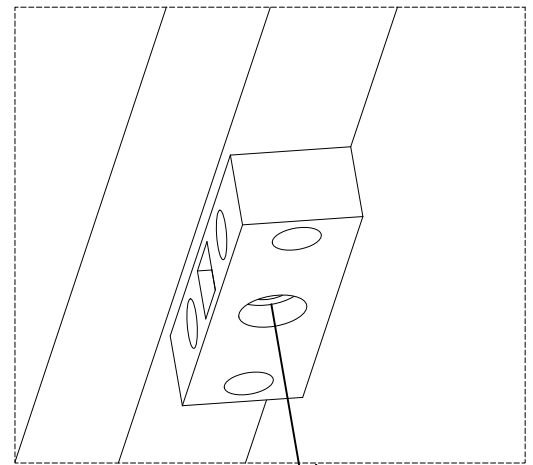
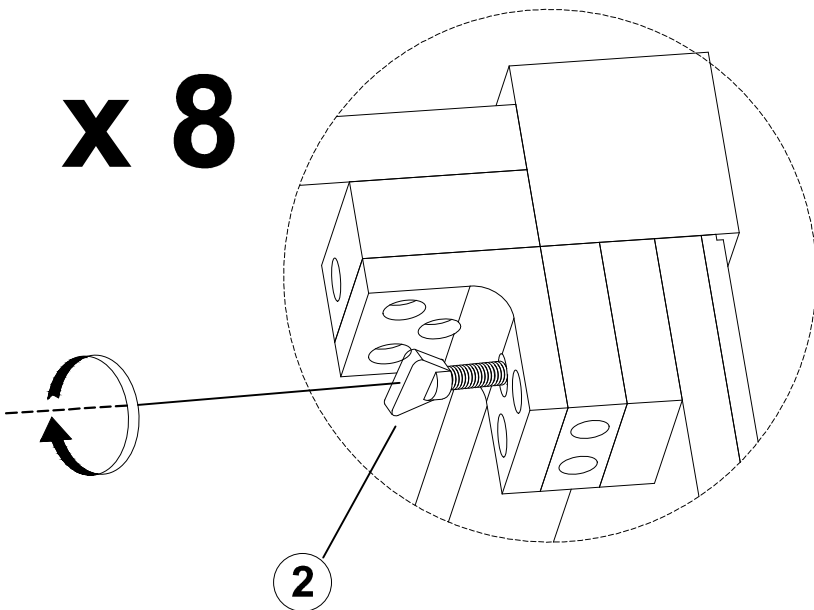
ITEM. : 7509VB37

DESCRIPTION : 36" VANITY BASE

## STEP 1



**x 8**



**x 4**

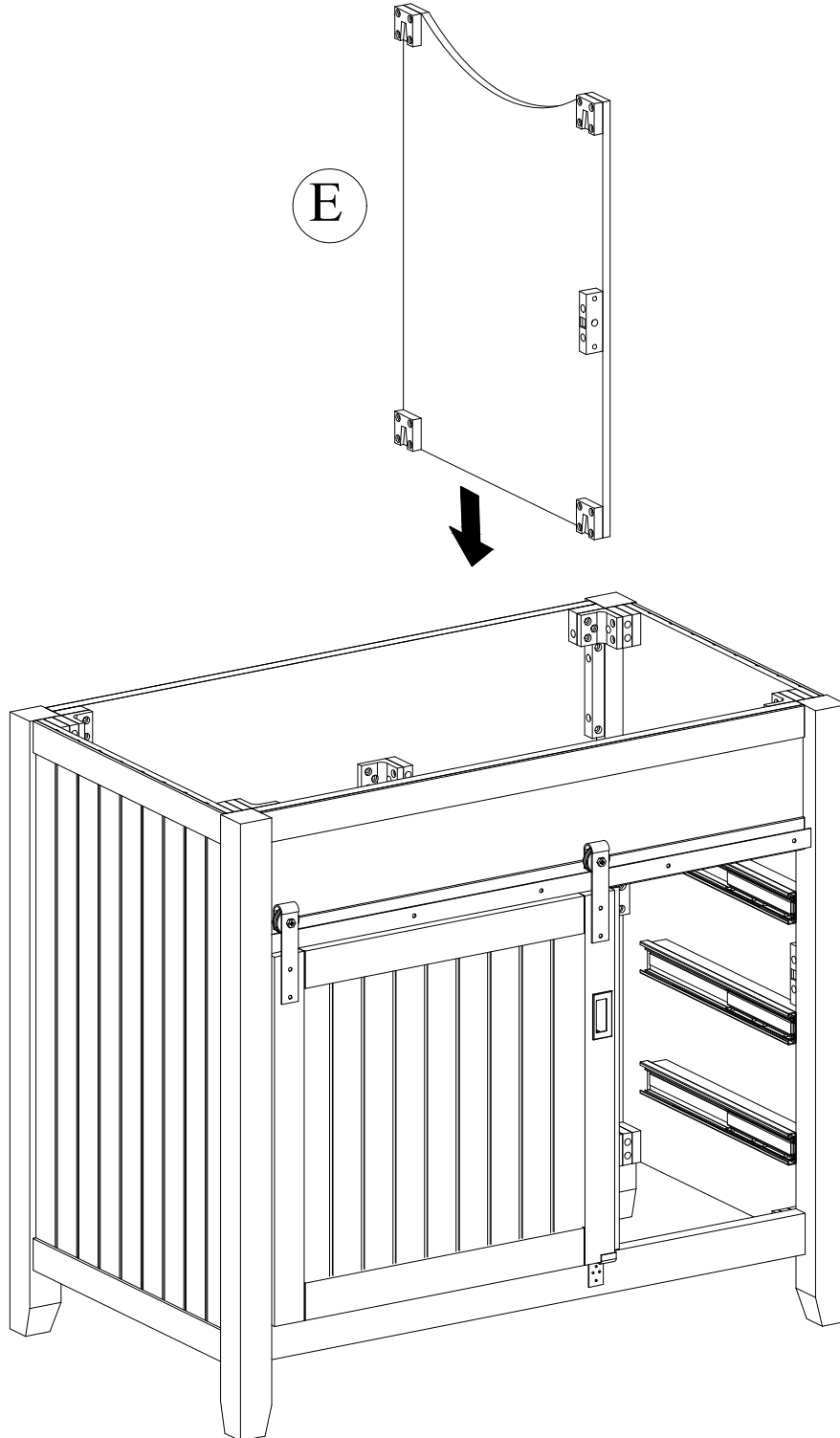


# ASSEMBLY INSTRUCTIONS

ITEM. : 7509VB37

DESCRIPTION : 36" VANITY BASE

## STEP 2

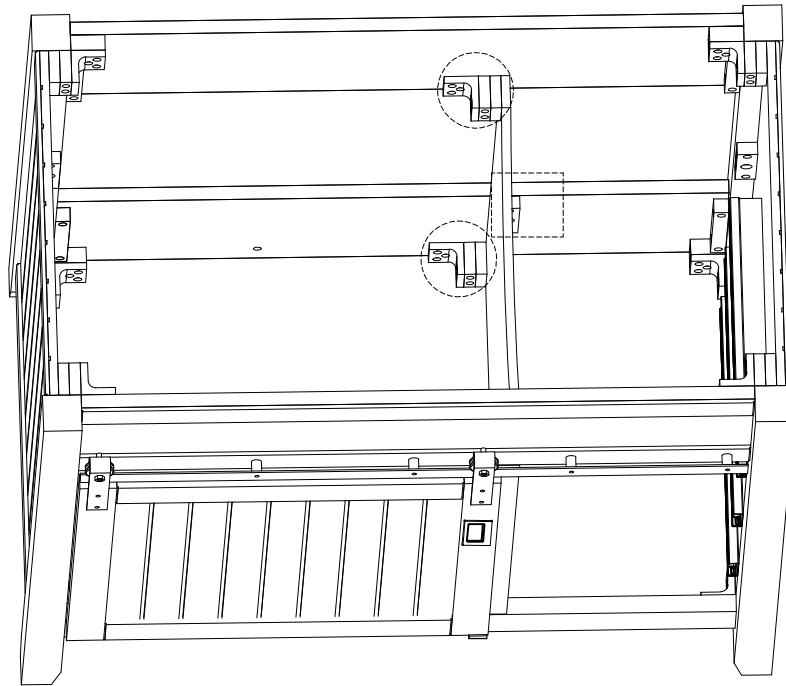


# ASSEMBLY INSTRUCTIONS

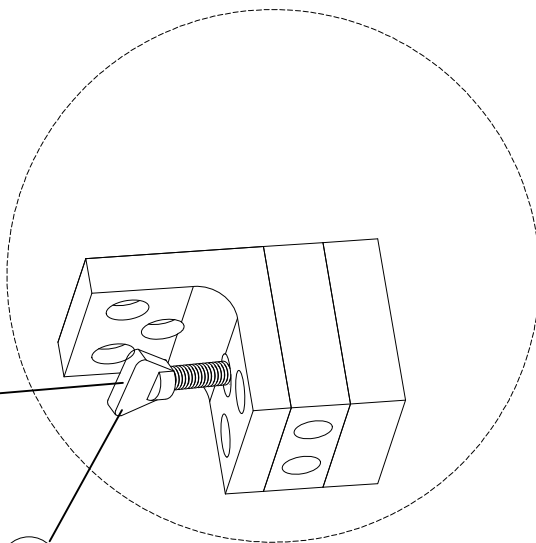
ITEM. : 7509VB37

DESCRIPTION : 36" VANITY BASE

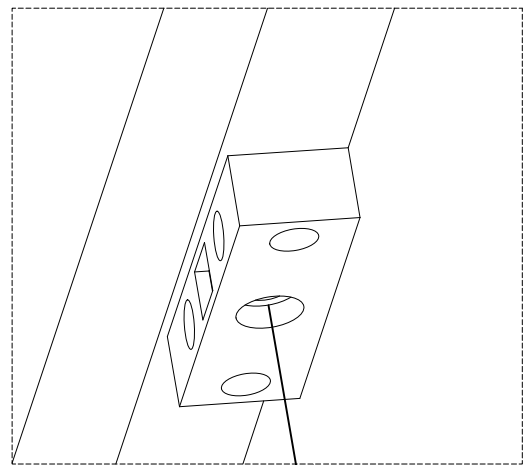
## STEP 3



**x 4**



**2**



**x 2**

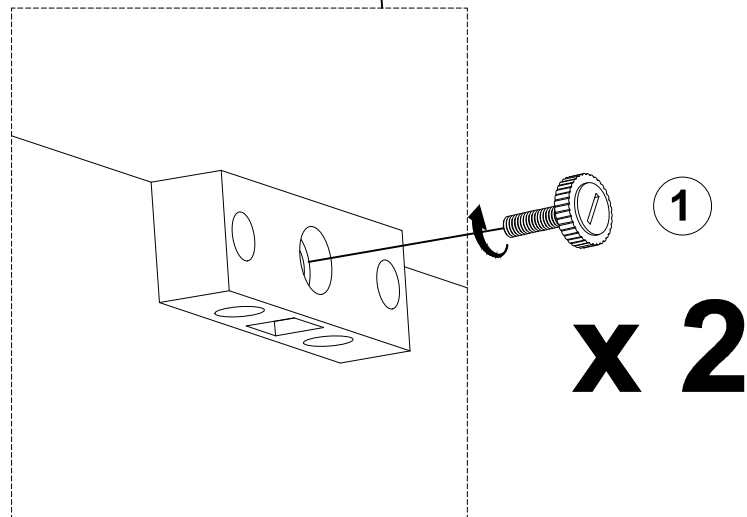
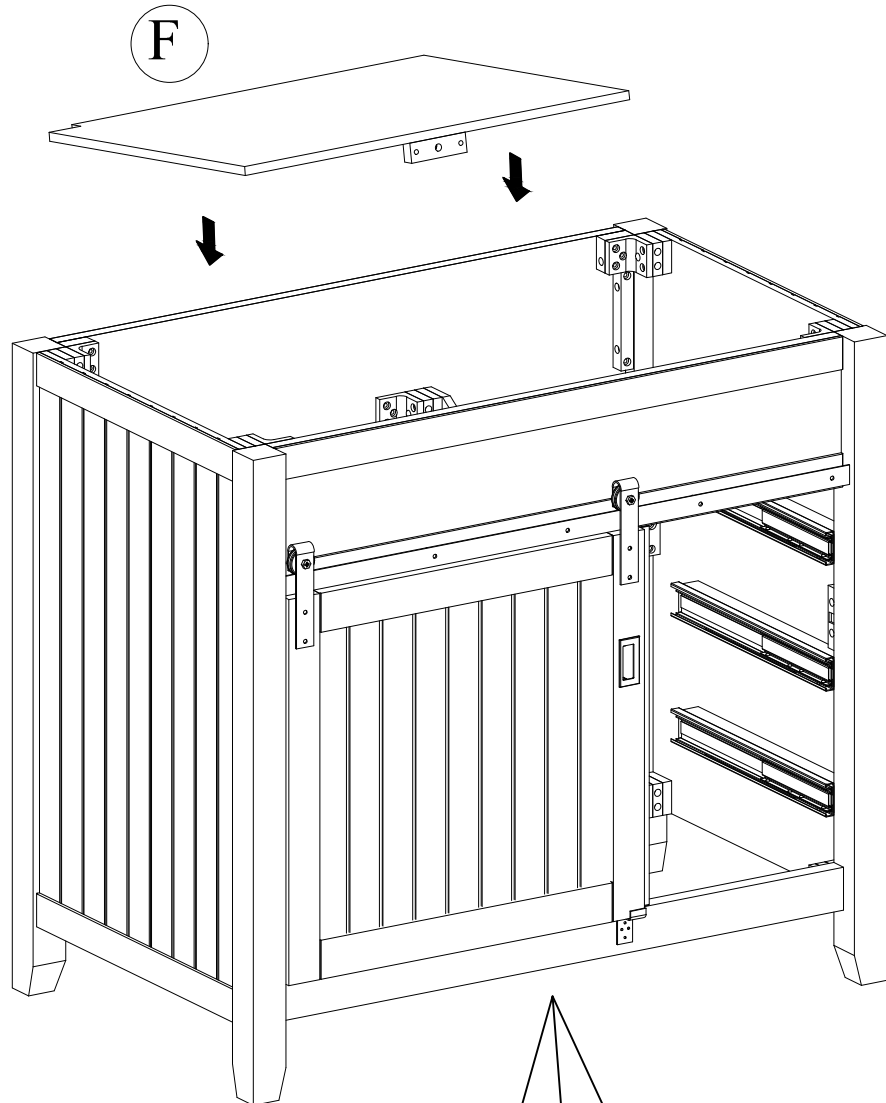
**1**

# ASSEMBLY INSTRUCTIONS

ITEM. : 7509VB37

DESCRIPTION : 36" VANITY BASE

## STEP 4

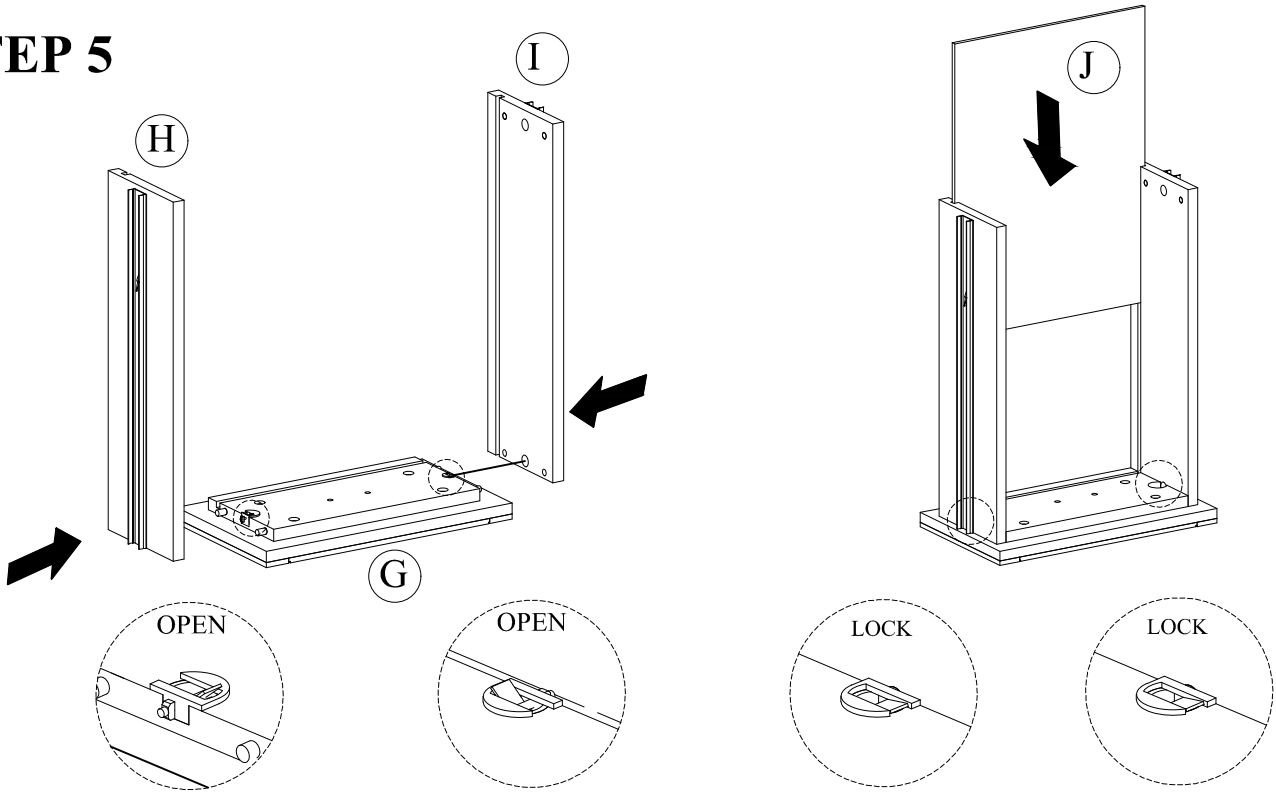


# ASSEMBLY INSTRUCTIONS

ITEM. : 7509VB37

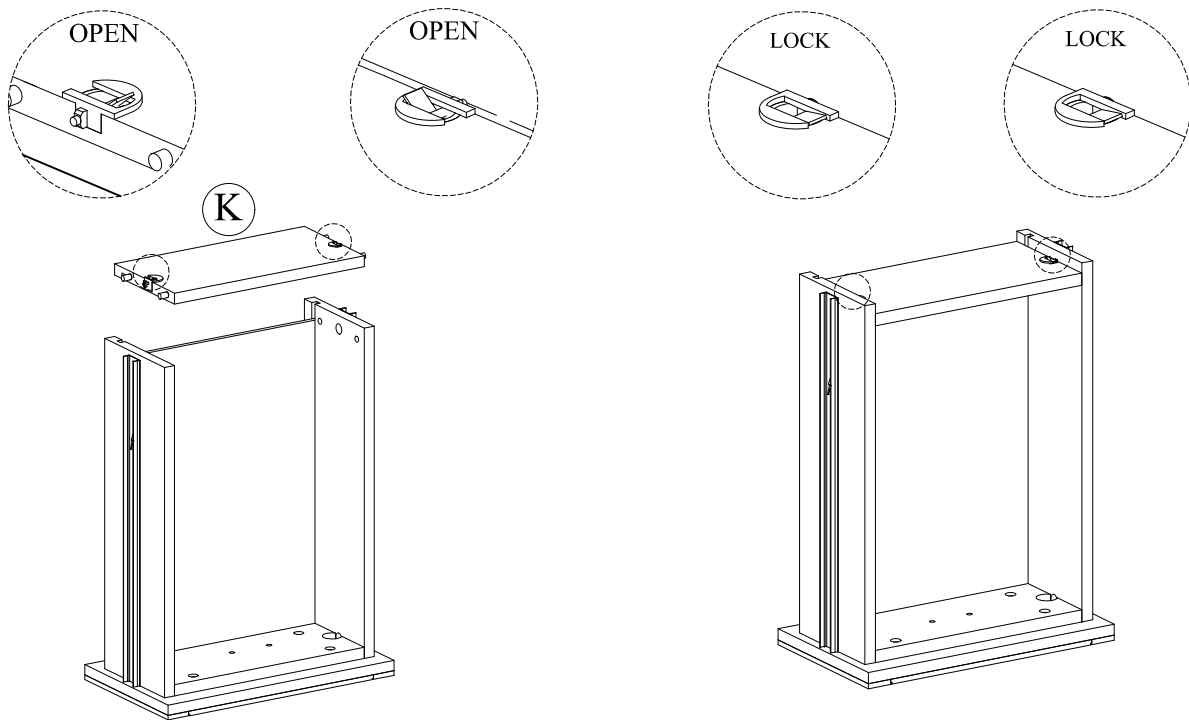
DESCRIPTION : 36" VANITY BASE

## STEP 5



**Please repeat step 5 to assemble the other drawers**

## STEP 6



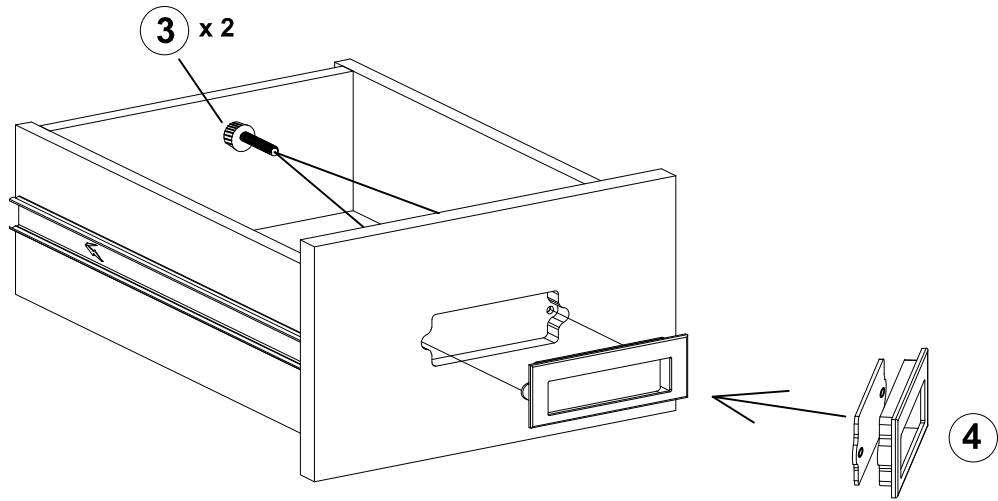
**Please repeat step 6 to assemble the other drawers**

# ASSEMBLY INSTRUCTIONS

ITEM. : 7509VB37

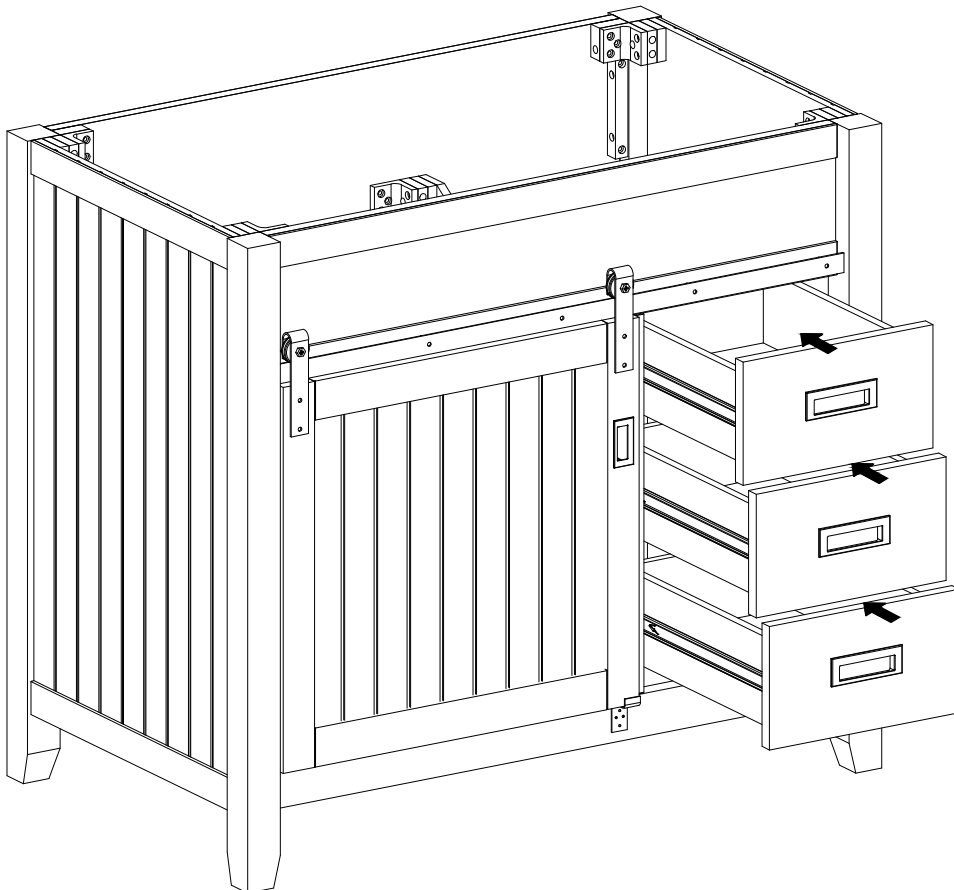
DESCRIPTION : 36" VANITY BASE

## STEP 7



**Please repeat step 7 to assemble the other drawers**

## STEP 8



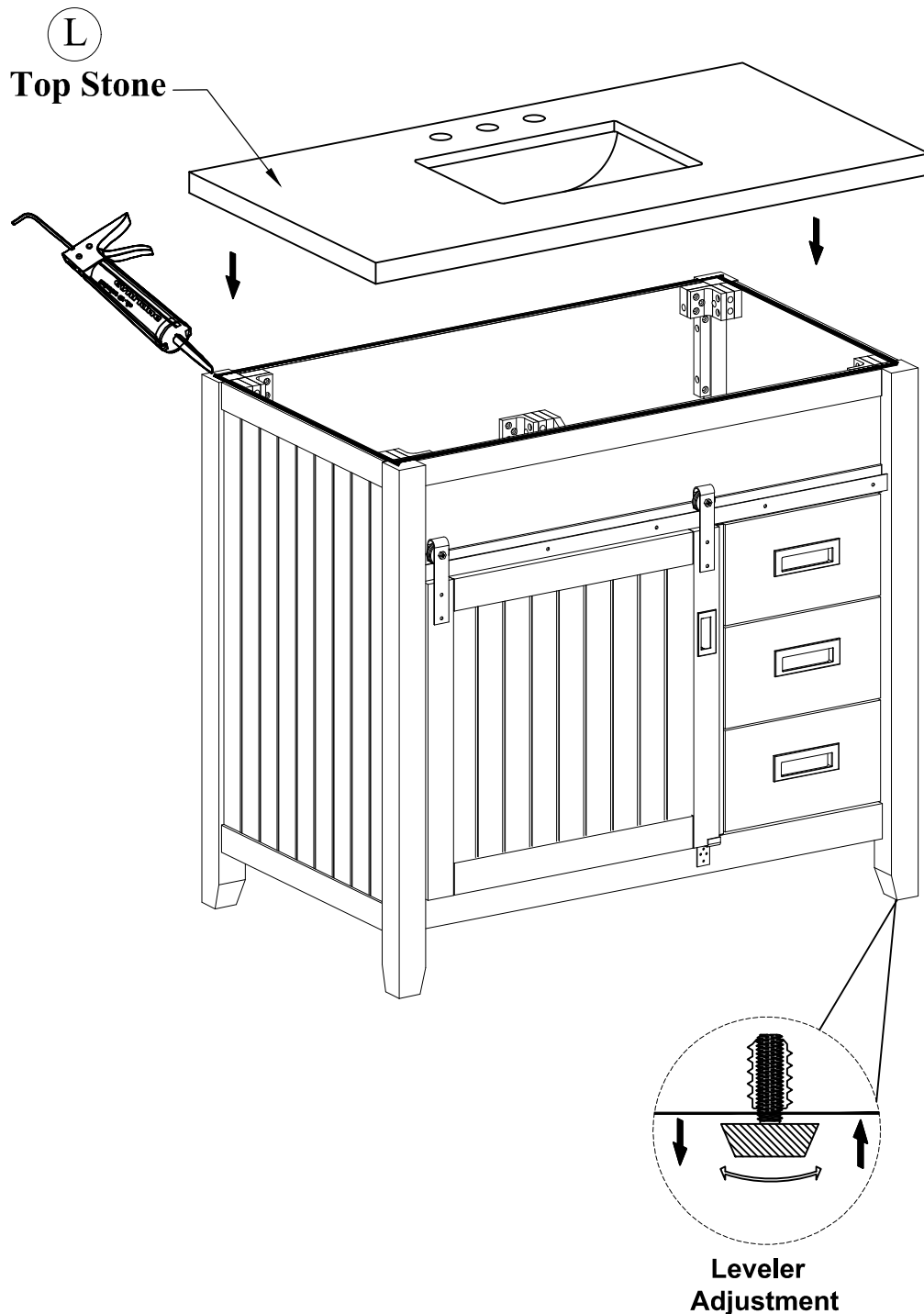
# ASSEMBLY INSTRUCTIONS

ITEM. : 7509VB37

DESCRIPTION : 36" VANITY BASE

## STEP 9

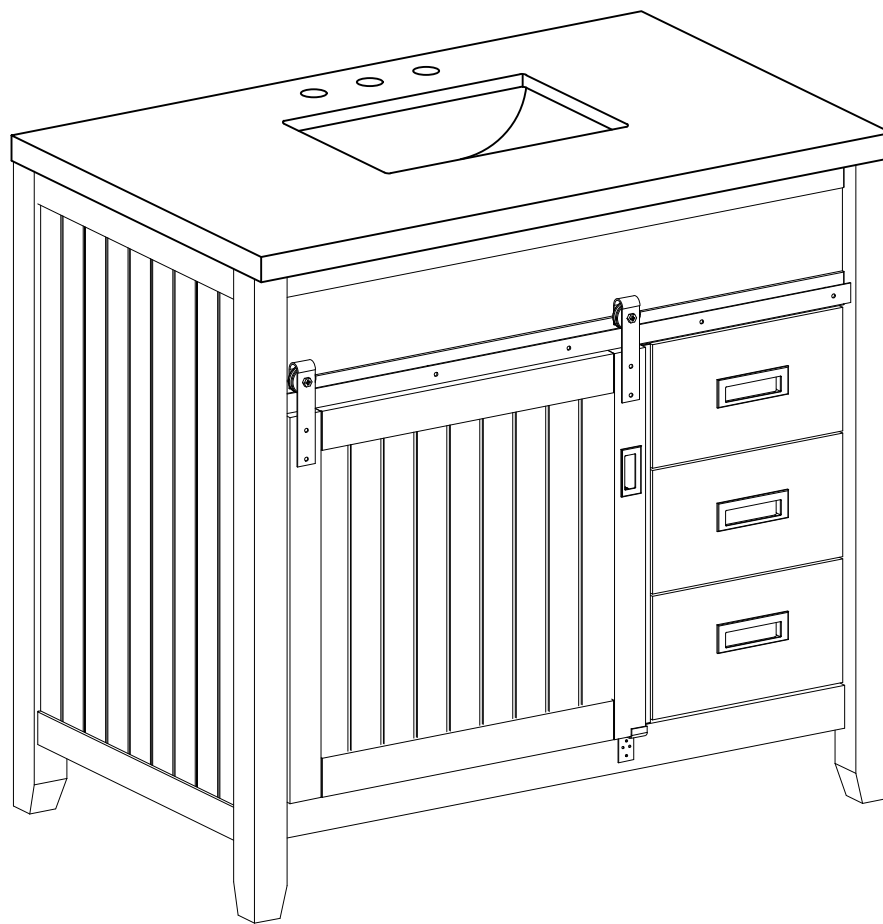
- Set the vanity on top of the vanity base, checking the location of the p-trap and drain.
- Remove the top and install the faucet per manufacturer's installation instructions.
- Hand tighten the pop-up drain with a wrench. Be careful not to over-tighten the pop-up drain, over tightening may cause cracks on the engineered stone top.
- Apply a thin bead of silicone compound around the vanity base and set the vanity top carefully in place. Remove any excess silicone compound with a wet rag.
- Install the faucet water lines and P-trap according to manufacturer's installation instructions



# ASSEMBLY INSTRUCTIONS

ITEM. : 7509VB37

DESCRIPTION : 36" VANITY BASE



**COMPLETED**