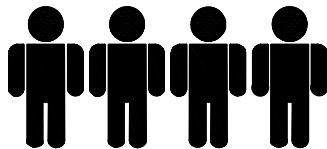
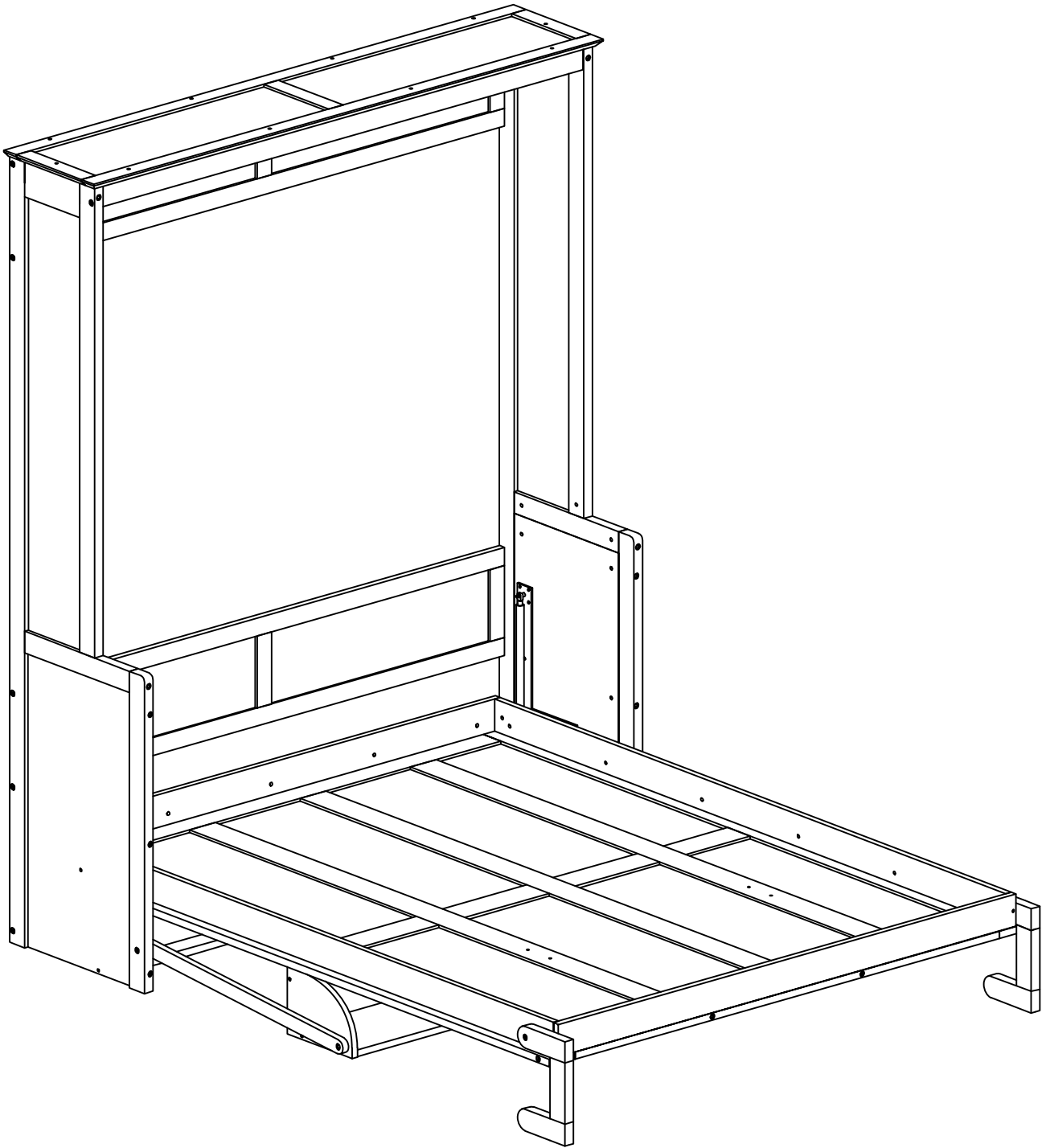


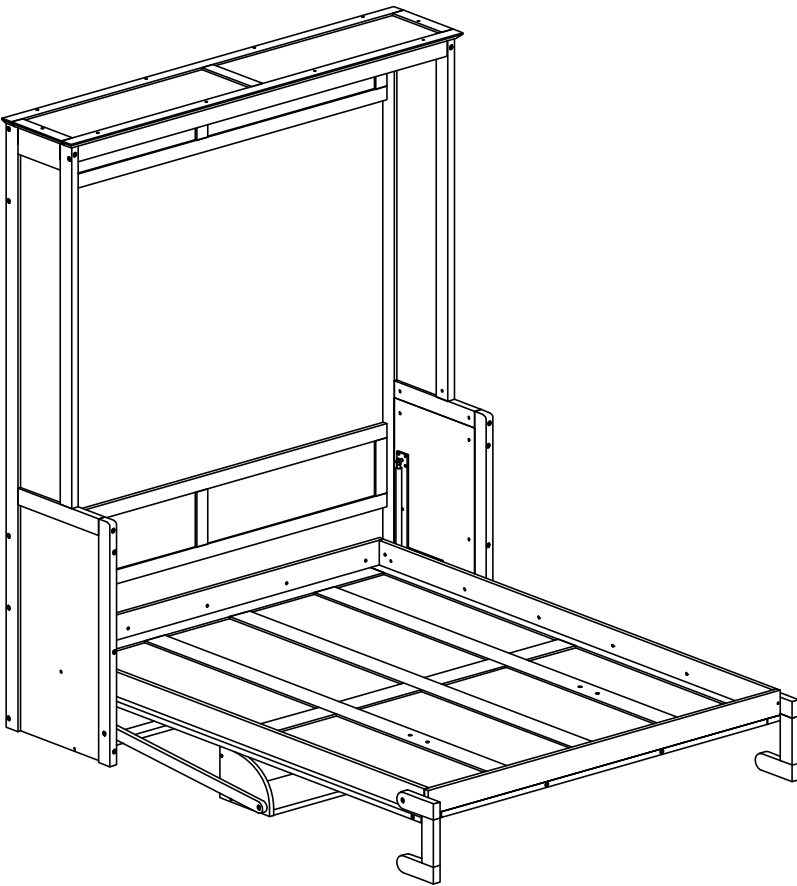
ASSEMBLY INSTRUCTIONS

ITEM NAME: QUEEN MURPHY BED WITH SHELF

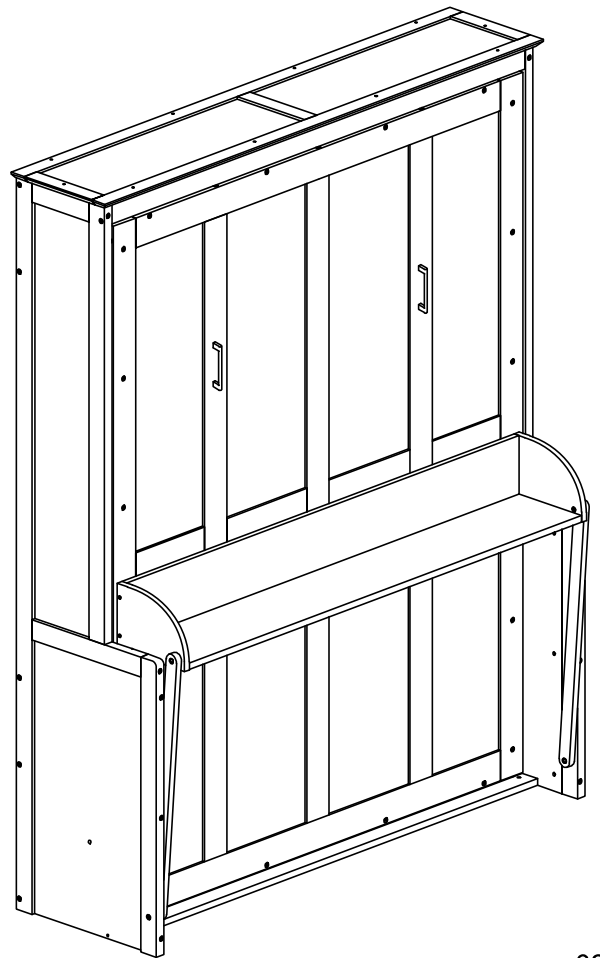


Four people are required to assemble and move this model.

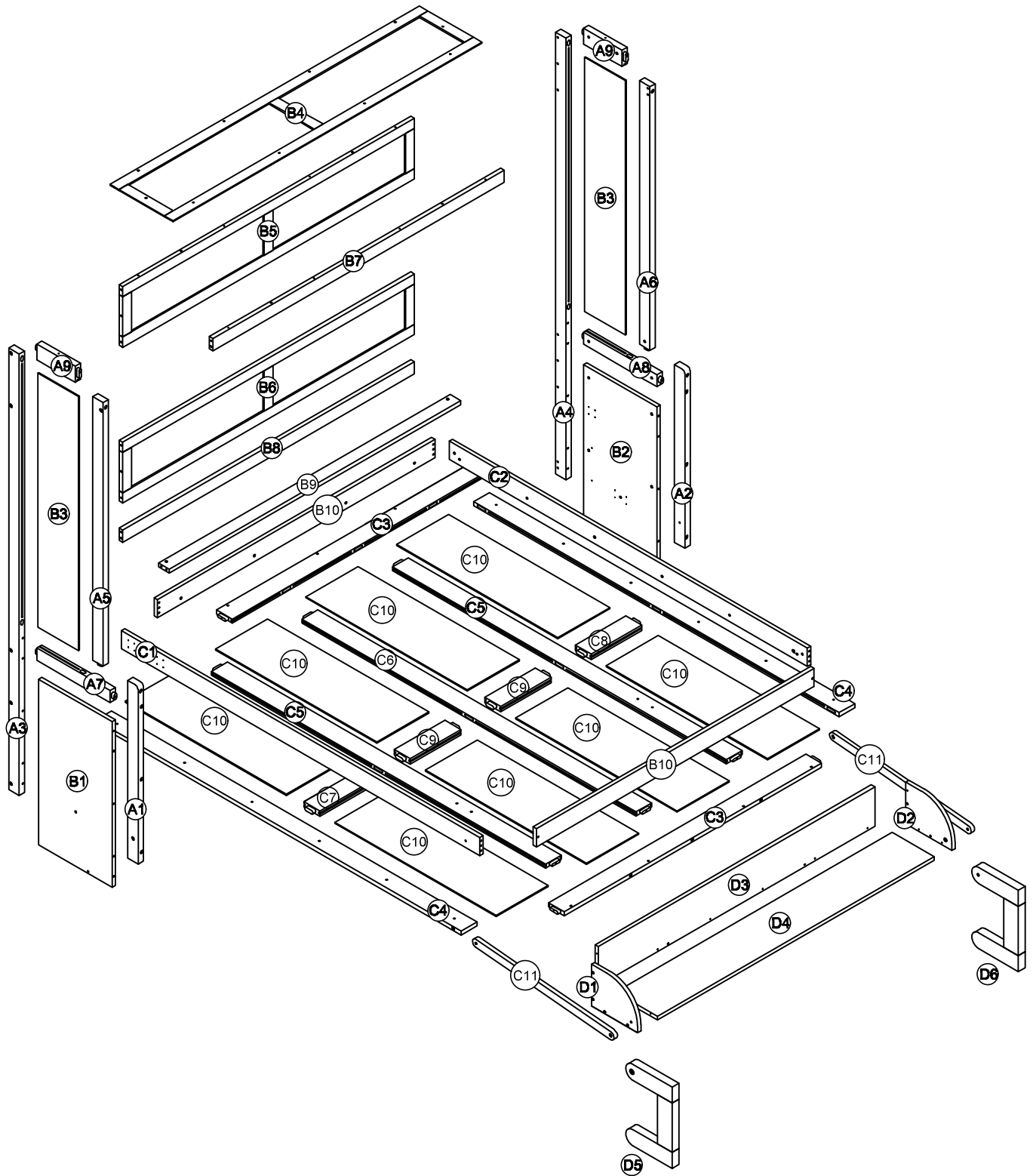
OPTION 1






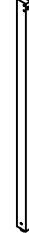
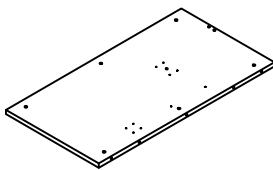
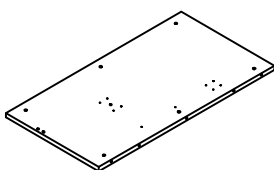
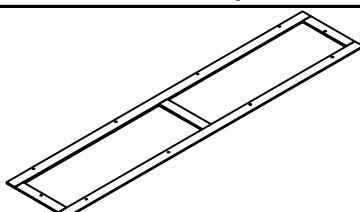
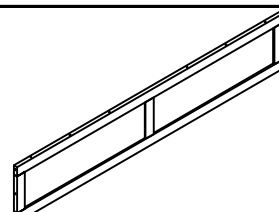
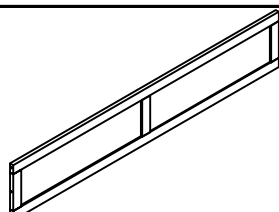
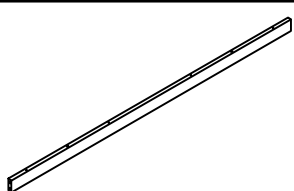
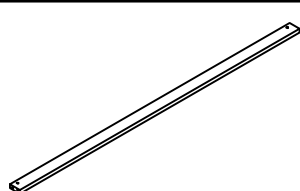
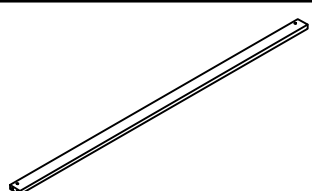
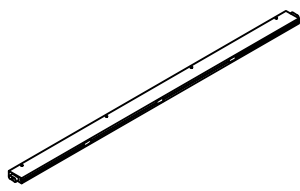
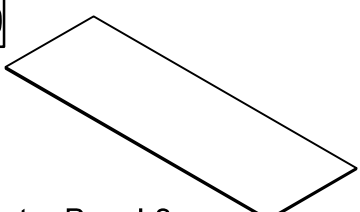
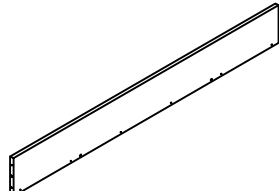
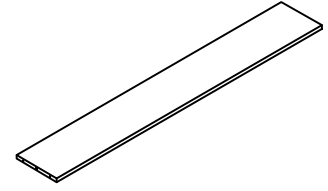
OPTION 2



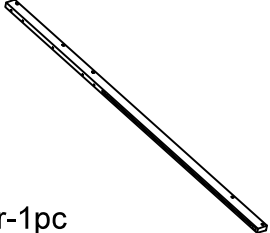
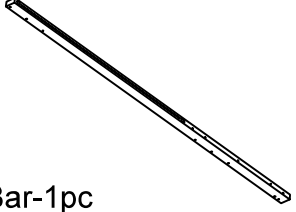
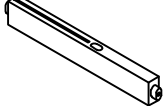
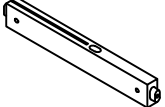
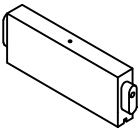
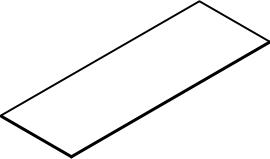
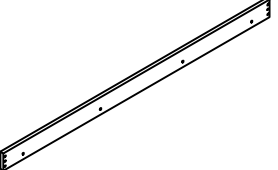
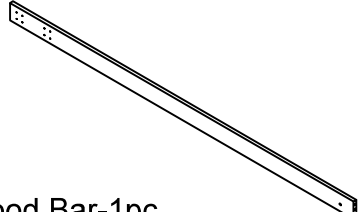
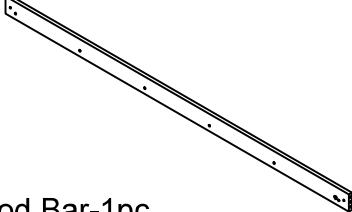
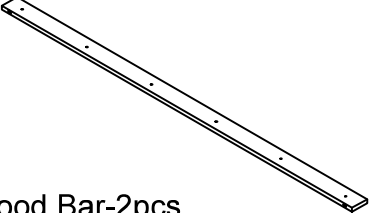
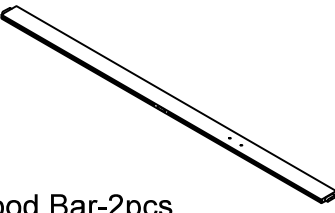
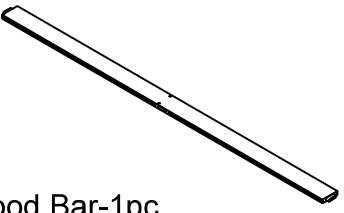



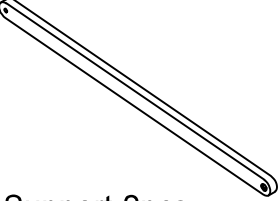
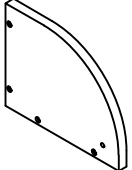
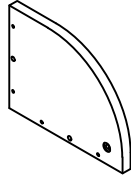
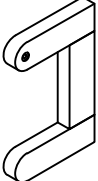
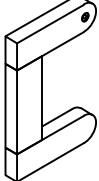
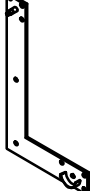
ASSEMBLY INSTRUCTION



Part List (Box 1)

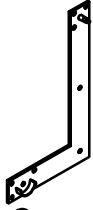
| | | |
|---|--|---|
| <p>A1</p>  <p>Wood Bar-1pc</p> | <p>A2</p>  <p>Wood Bar-1pc</p> | <p>A5</p>  <p>Wood Bar-1pc</p> |
| <p>A6</p>  <p>Wood Bar-1pc</p> | <p>B1</p>  <p>Left Bottom Panel -1pc</p> | <p>B2</p>  <p>Right Bottom Panel -1pc</p> |
| <p>B4</p>  <p>Cap Panel-1pc</p> | <p>B5</p>  <p>Upper Back Panel-1pc</p> | <p>B6</p>  <p>Lower Back Panel-1pc</p> |
| <p>B7</p>  <p>Wood Bar-1pc</p> | <p>B8</p>  <p>Wood Bar-1pc</p> | <p>B9</p>  <p>Wood Bar-1pc</p> |
| <p>C3</p>  <p>Wood Bar-2pcs</p> | <p>C10</p>  <p>Center Panel-8pcs</p> | <p>D3</p>  <p>Shelf Panel-1pc</p> |
| <p>D4</p>  <p>Shelf Panel-1pc</p> | | |

Part List & Hardware List (Box 2)

| | | |
|---|---|---|
| <p>A3</p>  <p>Wood Bar-1pc</p> | <p>A4</p>  <p>Wood Bar-1pc</p> | <p>A7</p>  <p>Left Lower Bar-1pc</p> |
| <p>A8</p>  <p>Right Lower Bar-1pc</p> | <p>A9</p>  <p>Left & Right Upper Bar-2pcs</p> | <p>B3</p>  <p>Left & Right Upper Panel-2pcs</p> |
| <p>B10</p>  <p>Wood Bar-2pcs</p> | <p>C1</p>  <p>Wood Bar-1pc</p> | <p>C2</p>  <p>Wood Bar-1pc</p> |
| <p>C4</p>  <p>Wood Bar-2pcs</p> | <p>C5</p>  <p>Wood Bar-2pcs</p> | <p>C6</p>  <p>Wood Bar-1pc</p> |
| <p>C7</p>  <p>Wood Bar-1pc</p> | <p>C8</p>  <p>Wood Bar-1pc</p> | <p>C9</p>  <p>Wood Bar-2pcs</p> |
| <p>C11</p>  <p>Shelf Support-2pcs</p> | <p>D1</p>  <p>Shelf Left Side Panel-1pc</p> | <p>D2</p>  <p>Shelf Right Side Panel-1pc</p> |
| <p>D5</p>  <p>Left Leg Frame-1pc</p> | <p>D6</p>  <p>Right Leg Frame-1pc</p> | <p>D7</p>  <p>Left Metal Corner Bracket-1pc</p> |

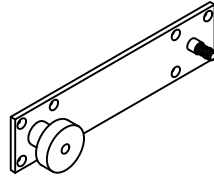
Part List & Hardware List (Box 2)

D8



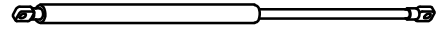
Right Metal Corner Bracket-1pc

E1






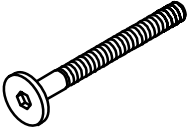
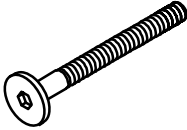
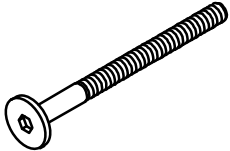

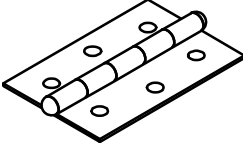
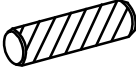
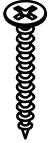
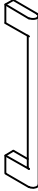



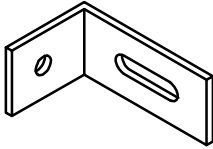


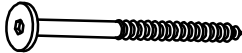



Metal Connecting Plate-2pcs

E2



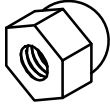
Gas Spring-2pcs

Hardware List (Box 2)

| | | |
|--|--|--|
| <p>1</p>  <p>Plastic Wall Anchors 6pcs</p> | <p>2</p>  <p>Ø1/4" x 30 mm Hex-Head Bolts 2pcs</p> | <p>3</p>  <p>Ø1/4" x 40 mm Hex-Head Bolts 4pcs</p> |
| <p>4</p>  <p>Ø1/4" x 60 mm Hex-Head Bolts 24pcs</p> | <p>5</p>  <p>Ø1/4" x 70 mm Hex-Head Bolts 14pcs</p> | <p>6</p>  <p>Ø1/4" x 100 mm Hex-Head Bolts 22pcs</p> |
| <p>7</p>  <p>5/32" x 30 Pan-Head Bolts 4pcs</p> | <p>8</p>  <p>Hinges 3pcs</p> | <p>9</p>  <p>Ø8 x 30 mm Wood Dowels 32pcs</p> |
| <p>10</p>  <p>M4 x 40 mm Anchor Screws 6pcs</p> | <p>11</p>  <p>Handles 2pcs</p> | <p>12</p>  <p>Ø1/4" x 13 mm Horizontal-Hole Nuts 60pcs</p> |
| <p>13</p>  <p>Ø1/4" x 15 mm Canopy Head Nuts 6pcs</p> | <p>14</p>  <p>Ø19 / Ø8 x 2 mm Washer 6pcs</p> | <p>15</p>  <p>Metal Corner Brackets 6pcs</p> |
| <p>16</p>  <p>Allen Key 2pcs</p> | <p>17</p>  <p>Screws 1/4" x 40 10pcs</p> | <p>18</p>  <p>Screws 1/4" x 100 10pcs</p> |
| <p>19</p>  <p>M4 x 20 mm Pan-Head Screws 12pcs</p> | <p>20</p>  <p>M3 x 15 mm Wood Screws 18pcs</p> | <p>21</p>  <p>M4 x 20 mm Wood Screws 36pcs</p> |

Hardware List (Box 2)

22



Nut 4pcs

23



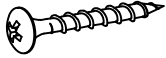
M8 x 40 mm
Hex-Head Bolts 2pcs

24

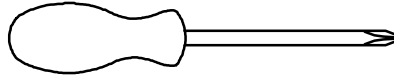


Wrench Key 13- 1pc

25

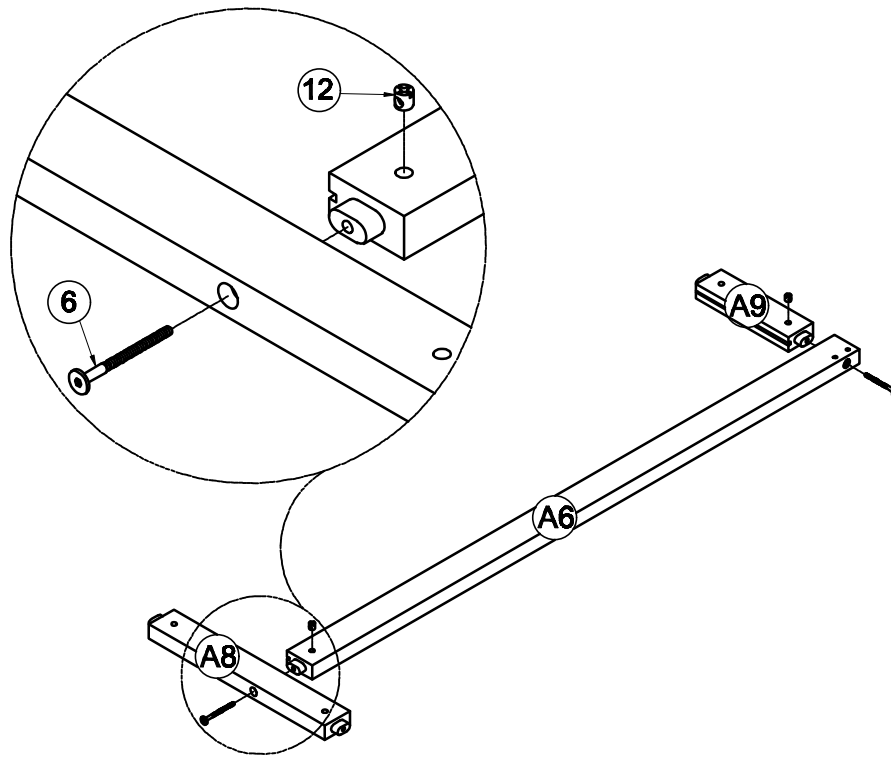


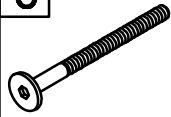

M4 x 40 mm
Wood Screws 14pcs



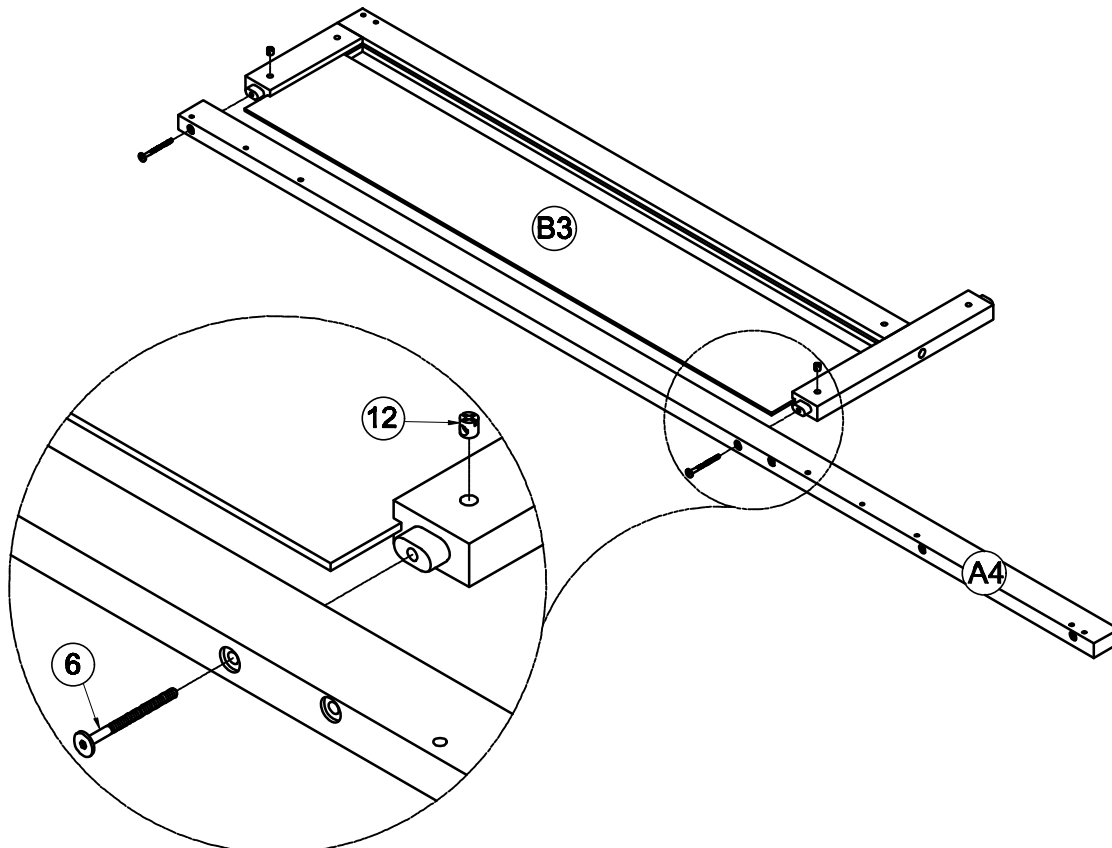
Assembly Tools Required (Not Included)

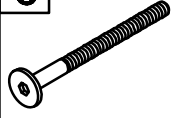

STEP1: Following below illustration.



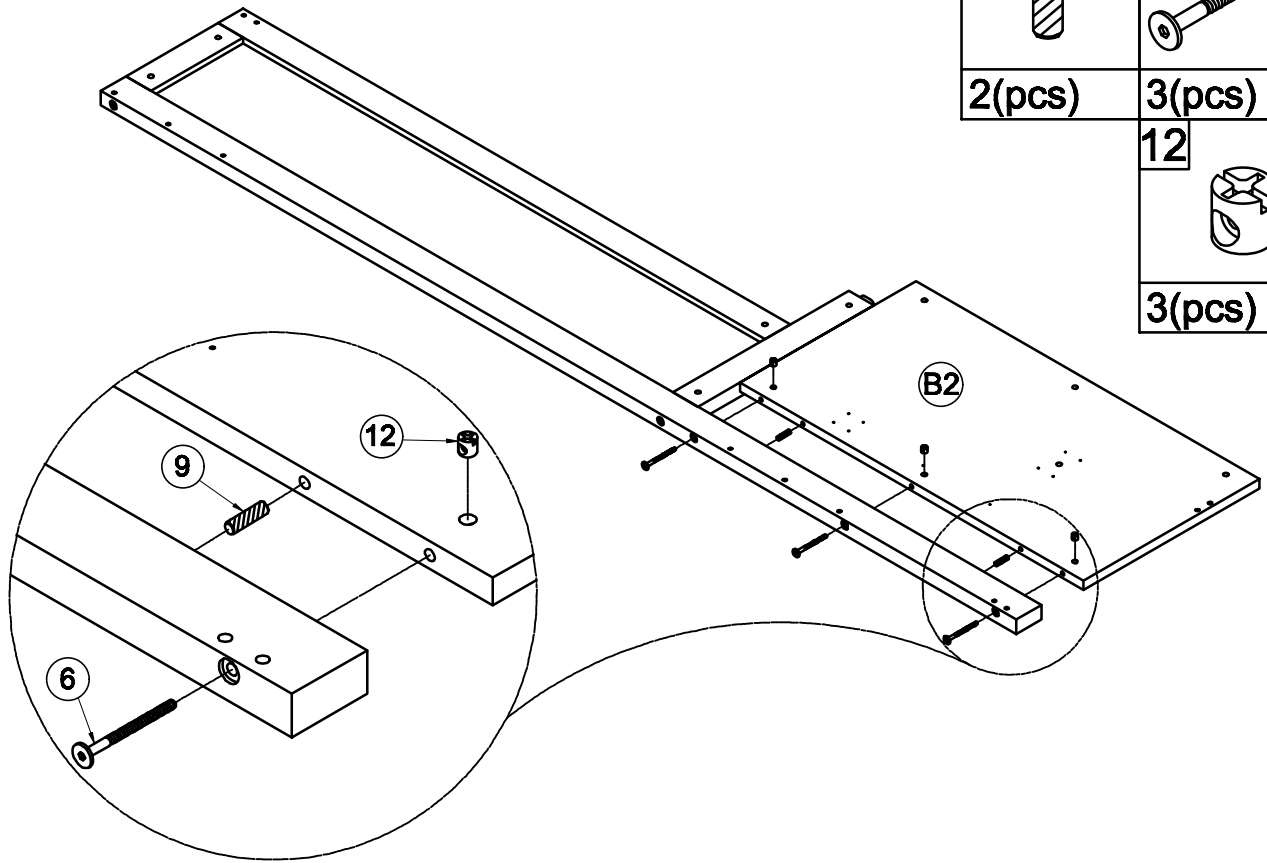
| |
|---|
| 6 |
|  |
| 2(pcs) |
| 12 |
|  |
| 2(pcs) |

STEP2: Following below illustration.



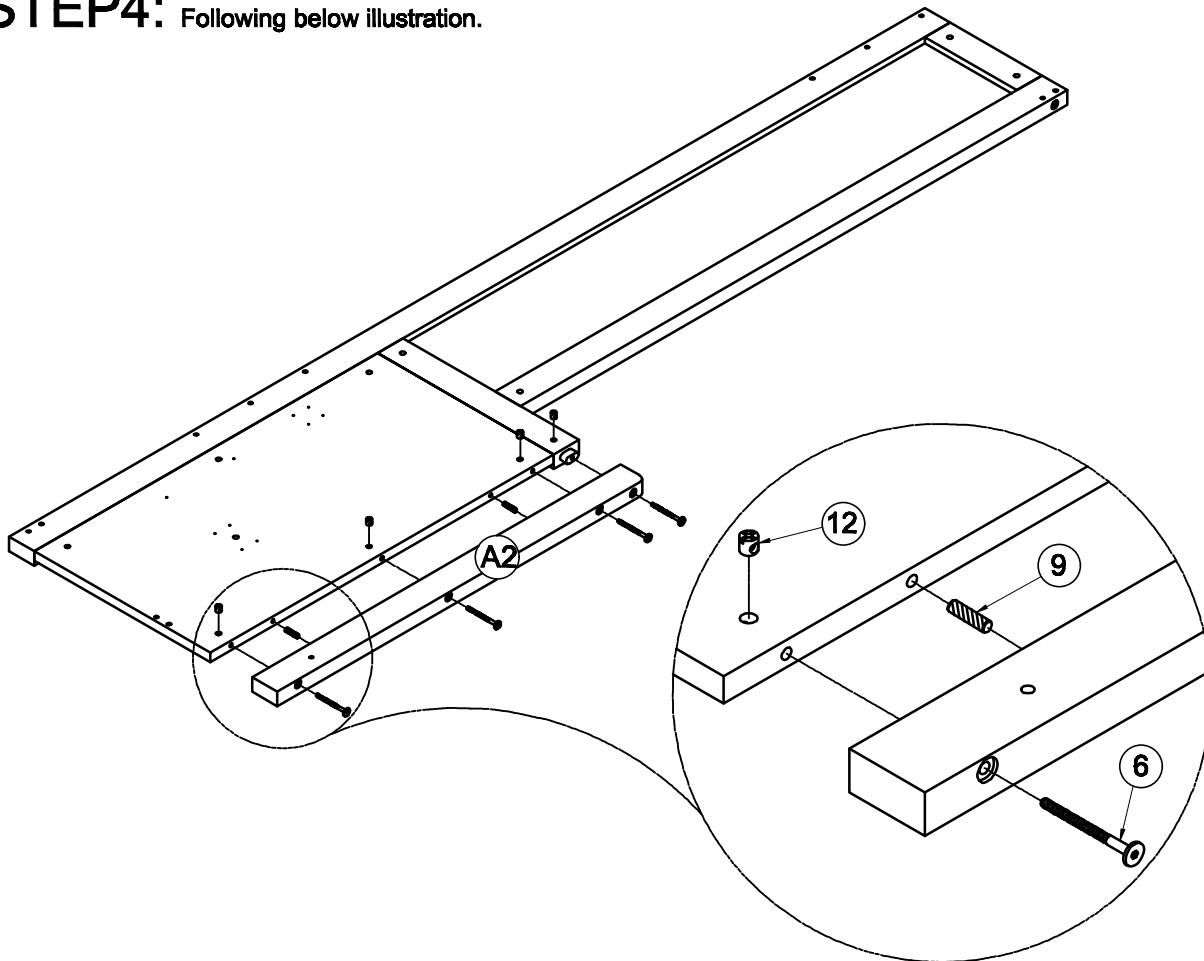
| |
|---|
| 6 |
|  |
| 2(pcs) |
| 12 |
|  |
| 2(pcs) |

STEP3: Following below illustration.



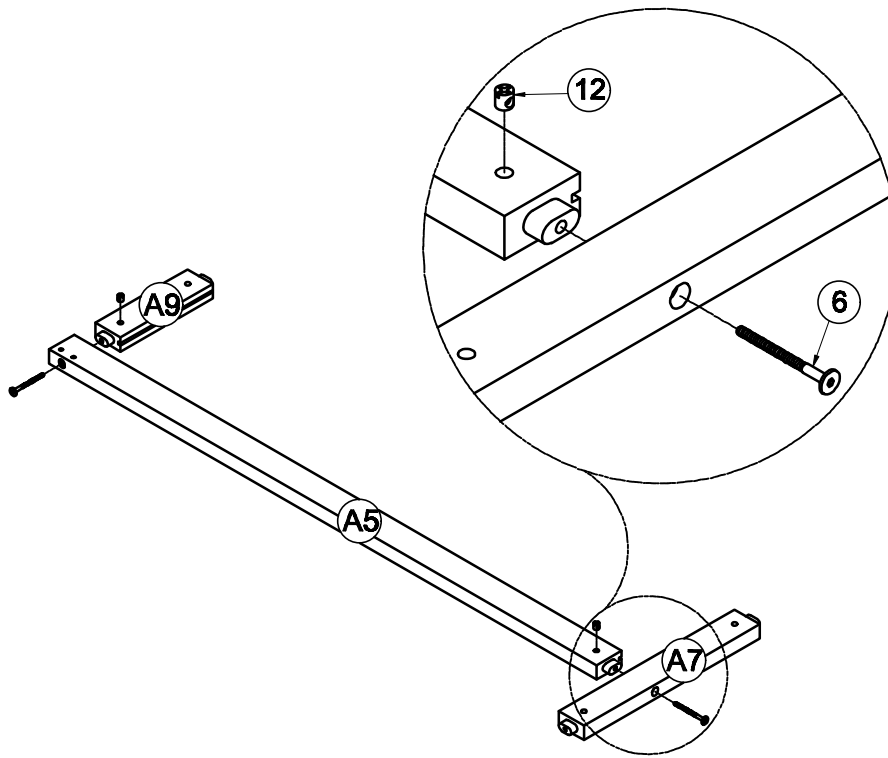
| | | | |
|--------|--|--------|--|
| 9 | | 6 | |
| 2(pcs) | | 3(pcs) | |
| | | 12 | |
| | | 3(pcs) | |

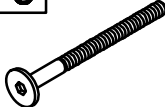

STEP4: Following below illustration.



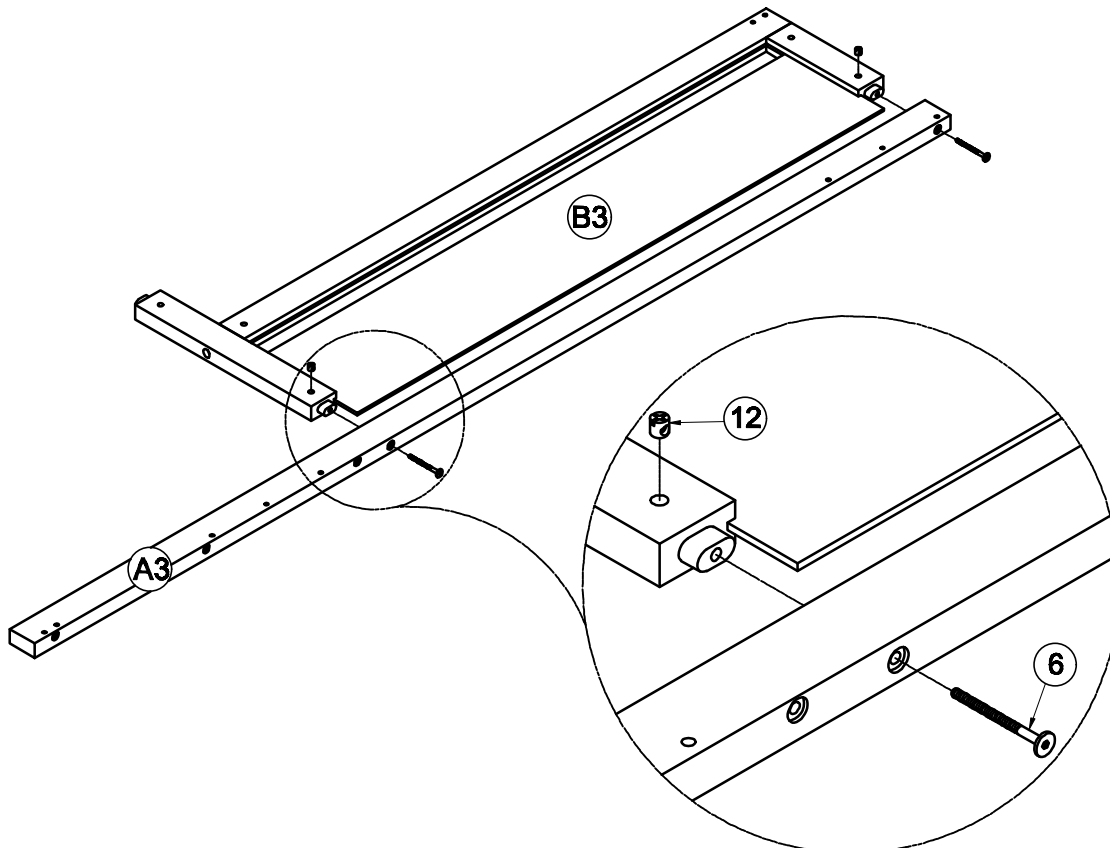
| | |
|--------|--|
| 6 | |
| 4(pcs) | |
| 12 | |
| 4(pcs) | |
| 9 | |
| 2(pcs) | |

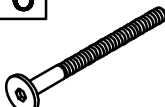

STEP5: Following below illustration.



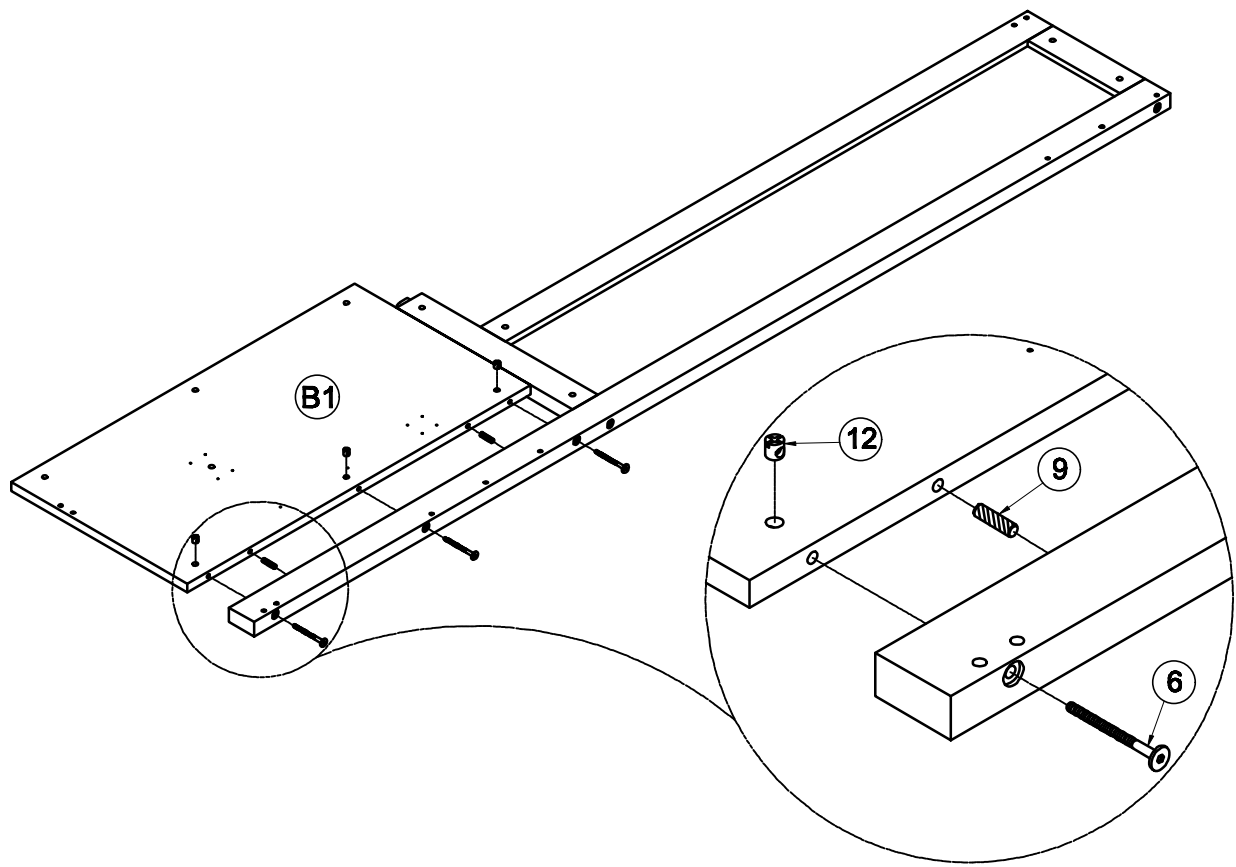
| |
|---|
| 6 |
|  |
| 2(pcs) |
| 12 |
|  |
| 2(pcs) |

STEP6: Following below illustration.



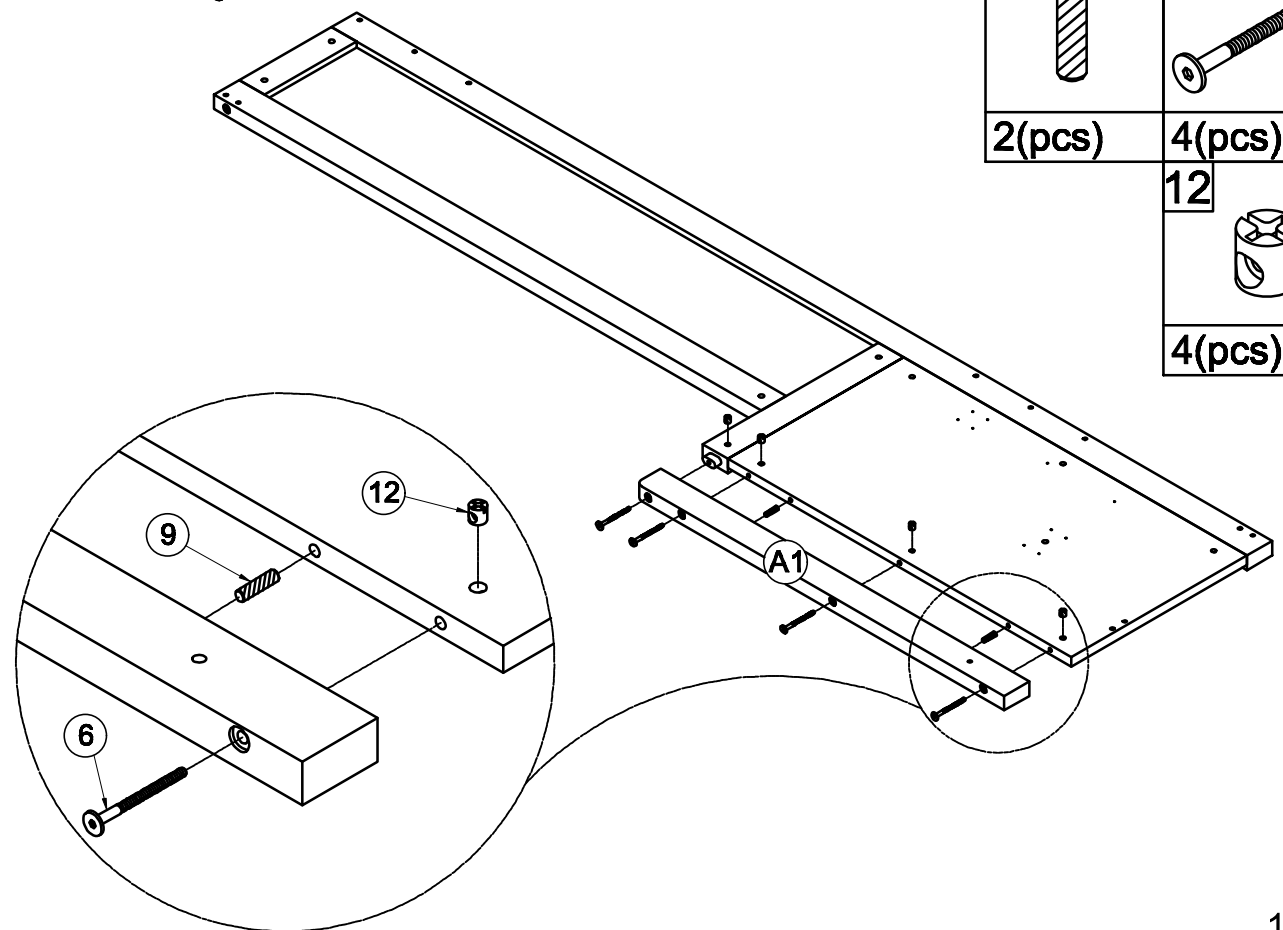
| |
|---|
| 6 |
|  |
| 2(pcs) |
| 12 |
|  |
| 2(pcs) |

STEP7: Following below illustration.




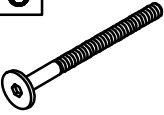

- | | |
|--------|--|
| 6 | |
| 3(pcs) | |
| 12 | |
| 3(pcs) | |
| 9 | |
| 2(pcs) | |

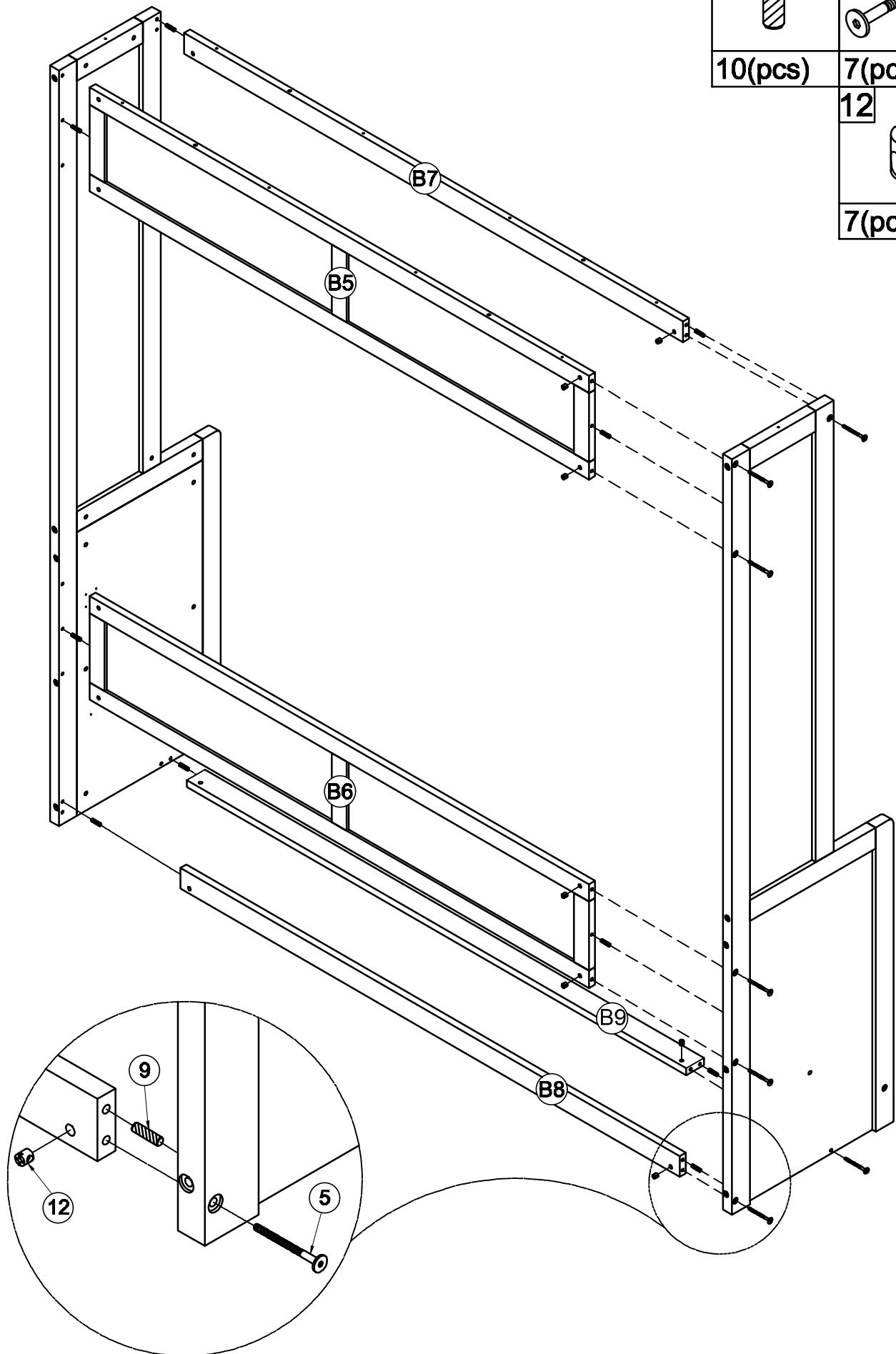
STEP8: Following below illustration.



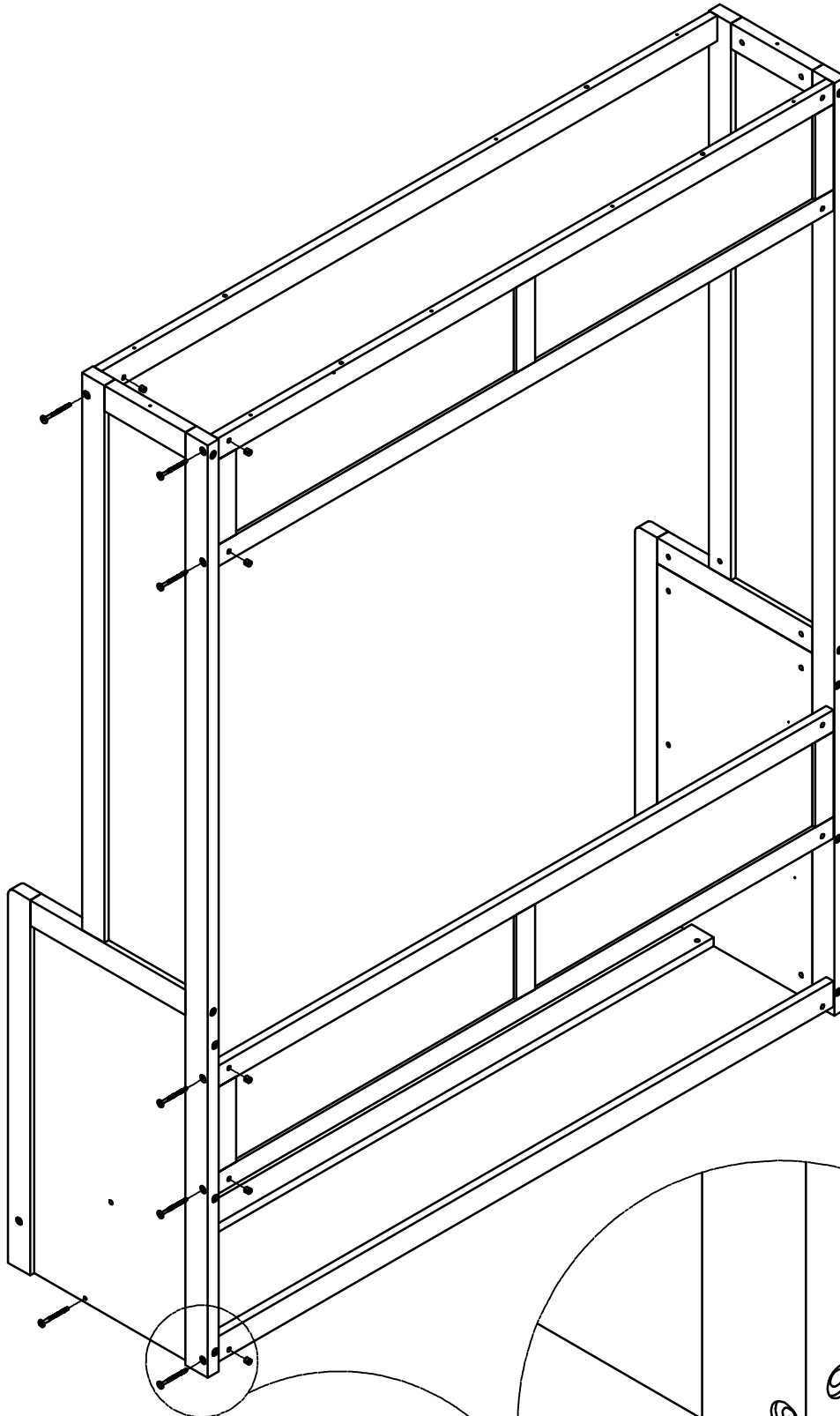
- | | |
|--------|--|
| 9 | |
| 2(pcs) | |
| 6 | |
| 4(pcs) | |
| 12 | |
| 4(pcs) | |

STEP9: Following below illustration.

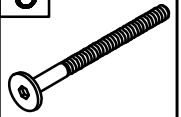
| | | | |
|---------|--|--------|---|
| 9 |  | 5 |  |
| 10(pcs) | | 7(pcs) | |
| | | 12 |  |
| | | 7(pcs) | |



STEP 10: Following below illustration.



5

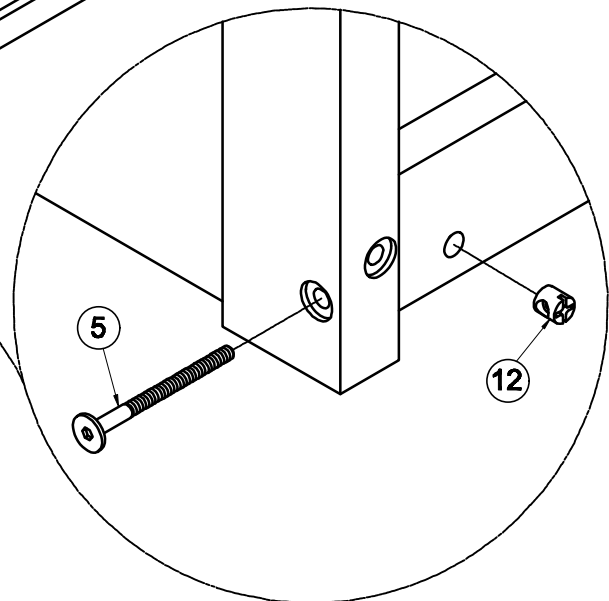


7(pcs)

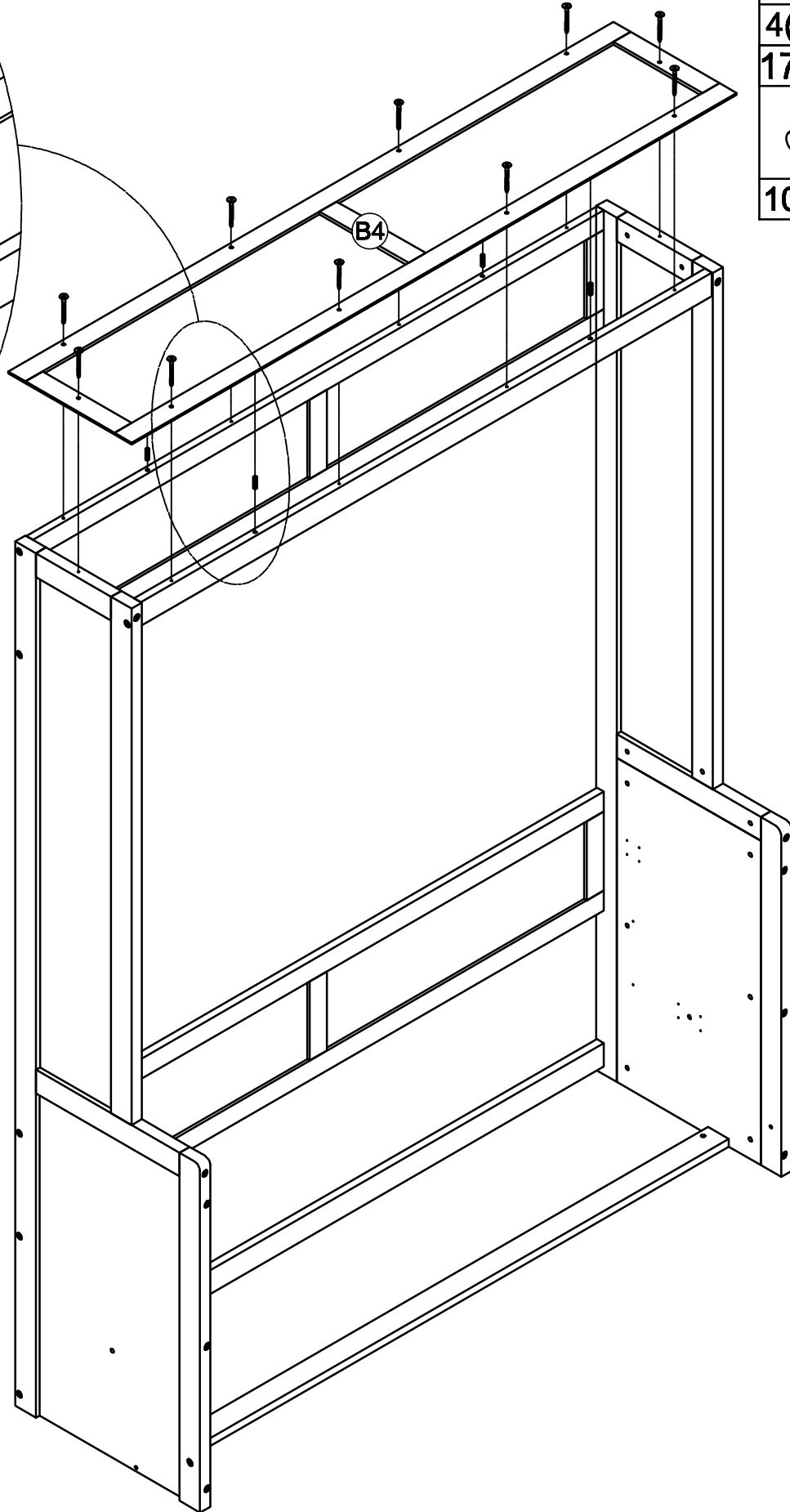
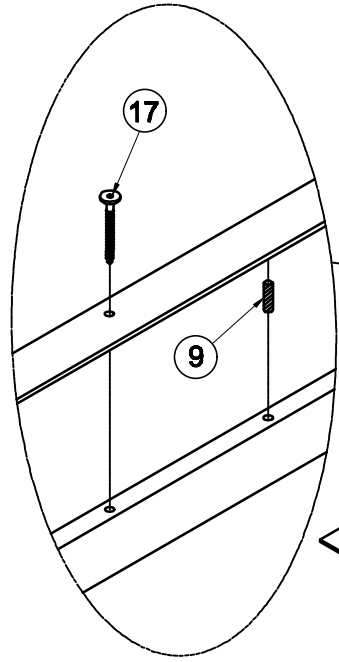
12

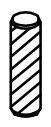



7(pcs)

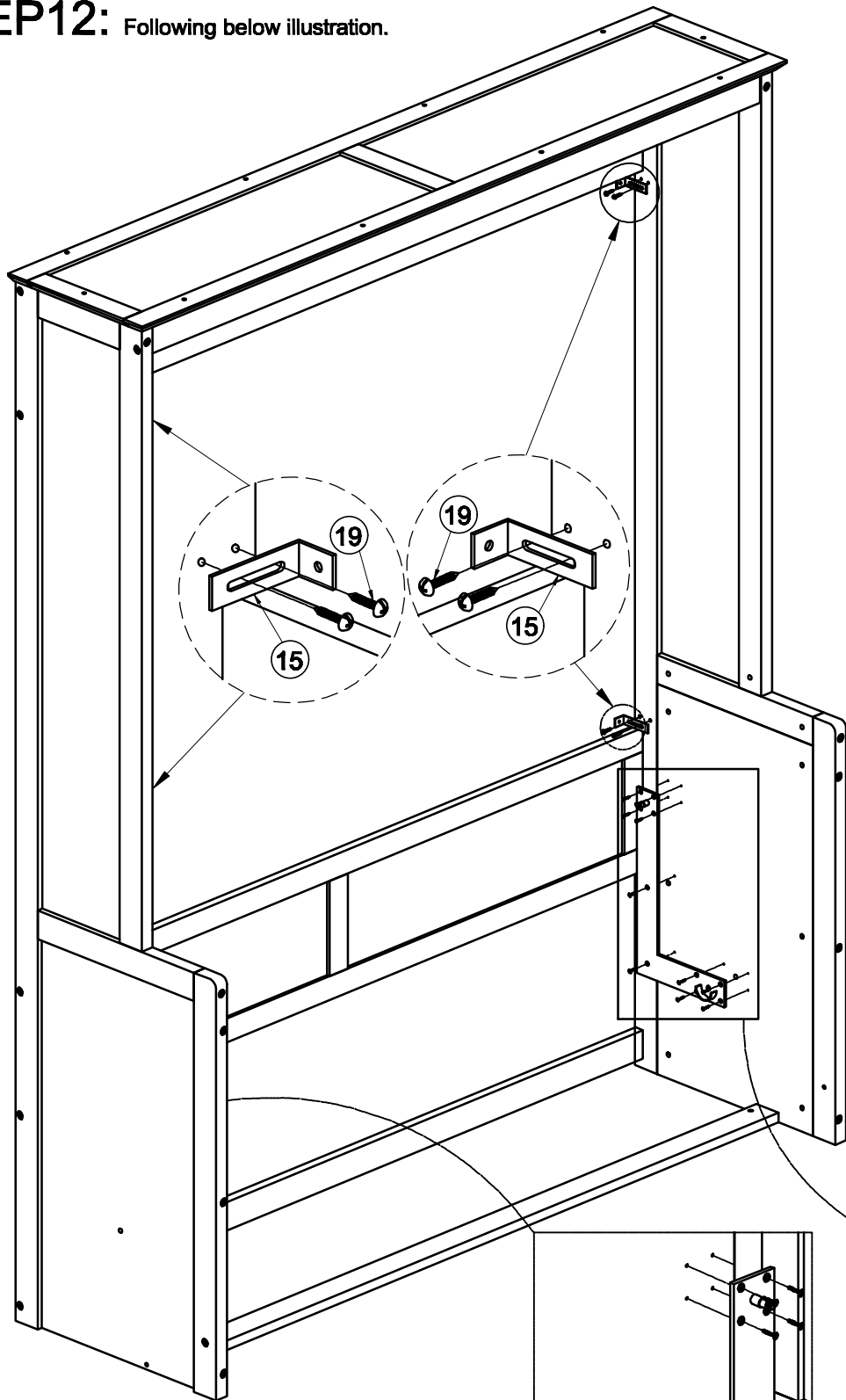


STEP 11: Following below illustration.

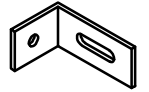


| | |
|---------|---|
| 9 |  |
| 4(pcs) | |
| 17 |  |
| 10(pcs) | |

STEP 12: Following below illustration.

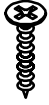


15



4(pcs)

21

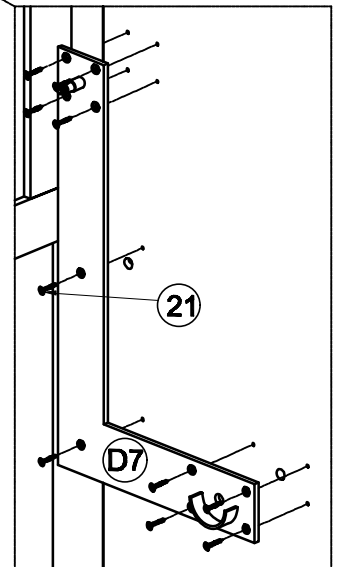
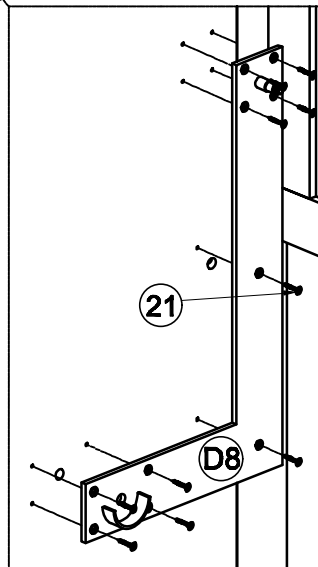


20(pcs)

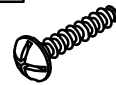
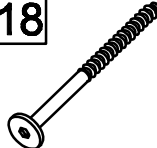

19

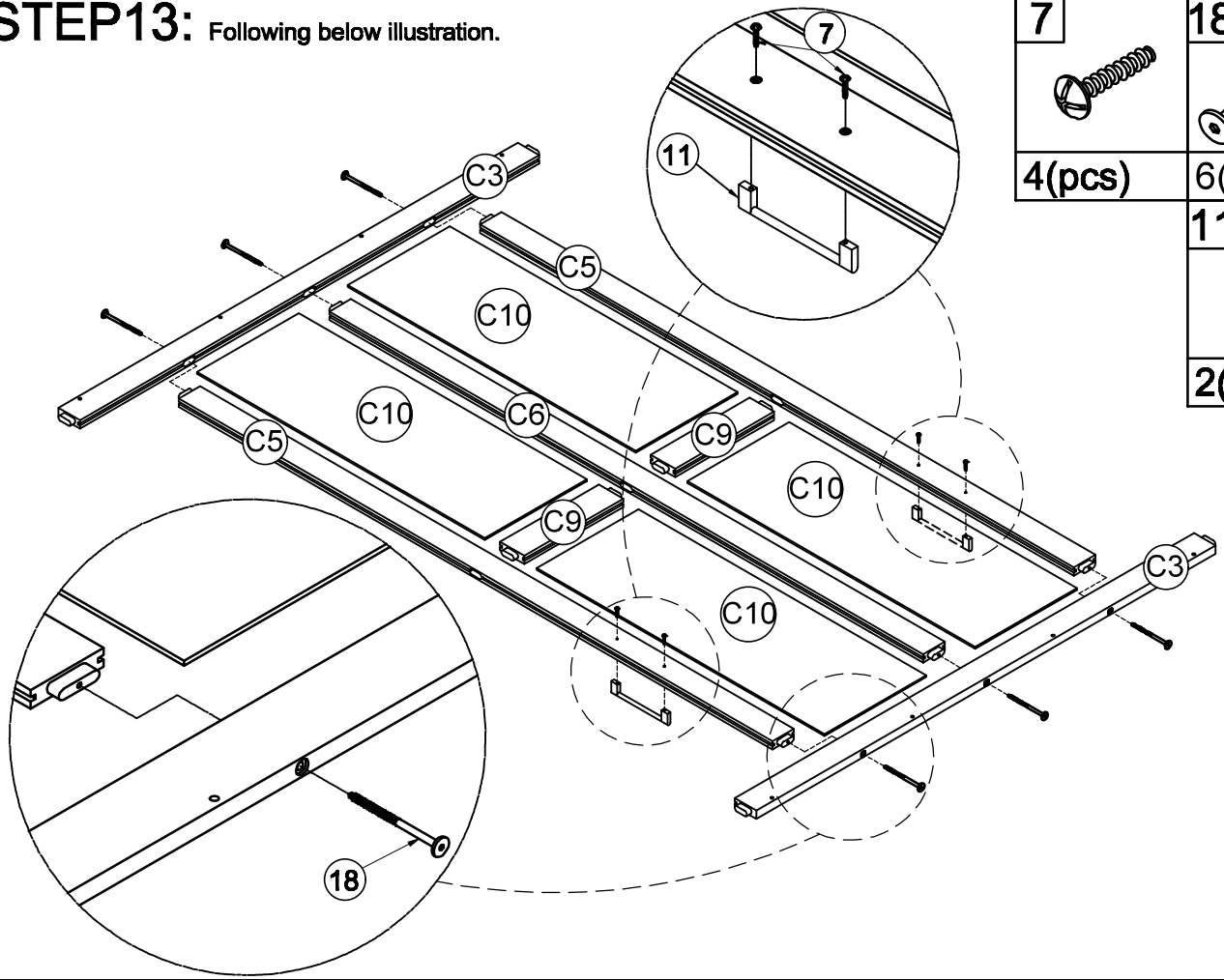


8(pcs)

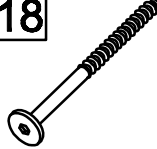


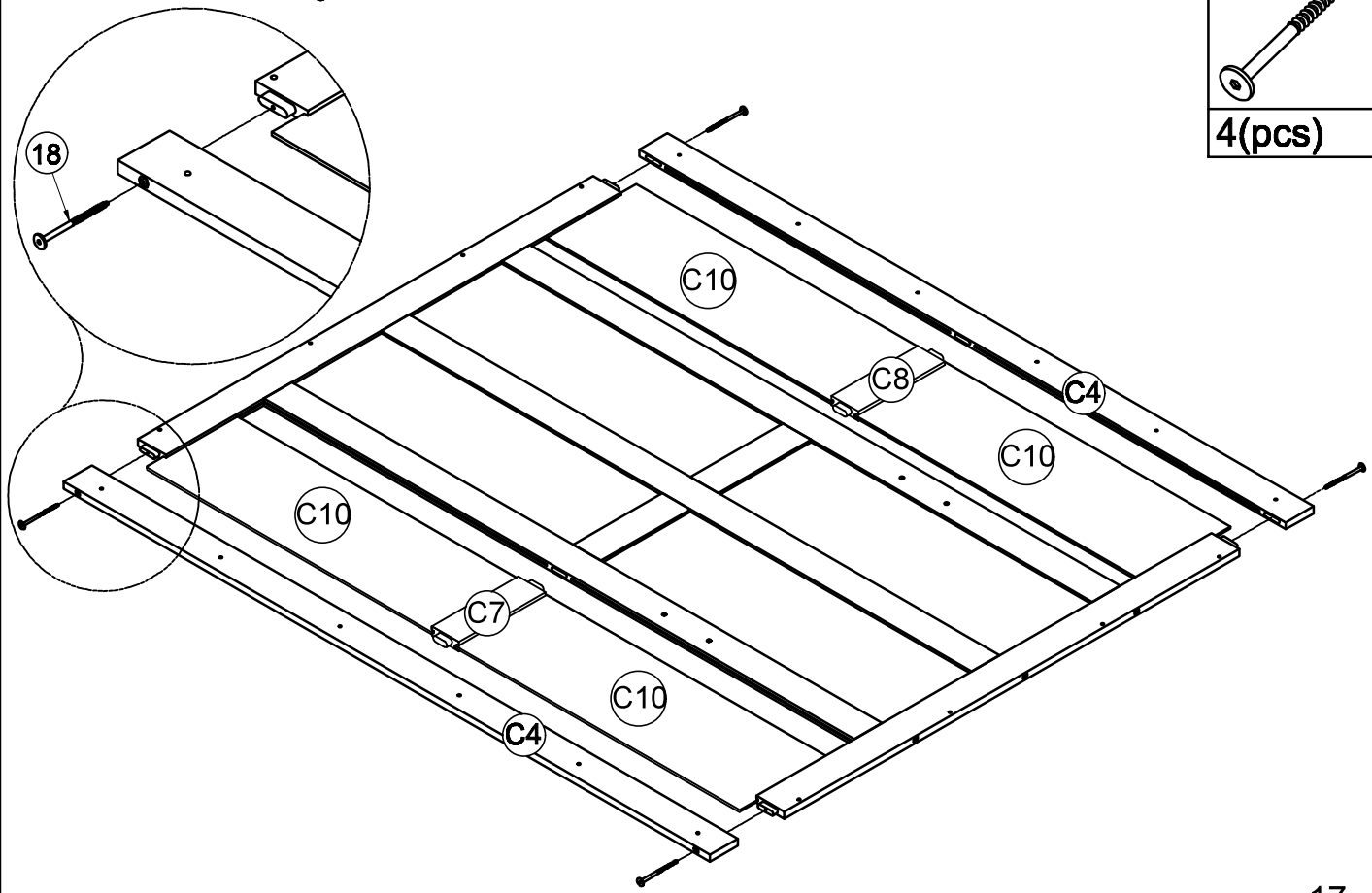
STEP13: Following below illustration.

| | |
|---|--|
| 7  | 18  |
| 4(pcs) | 6(pcs) |
| 11  | |
| 2(pcs) | |

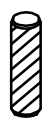
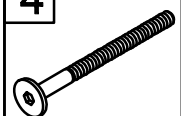



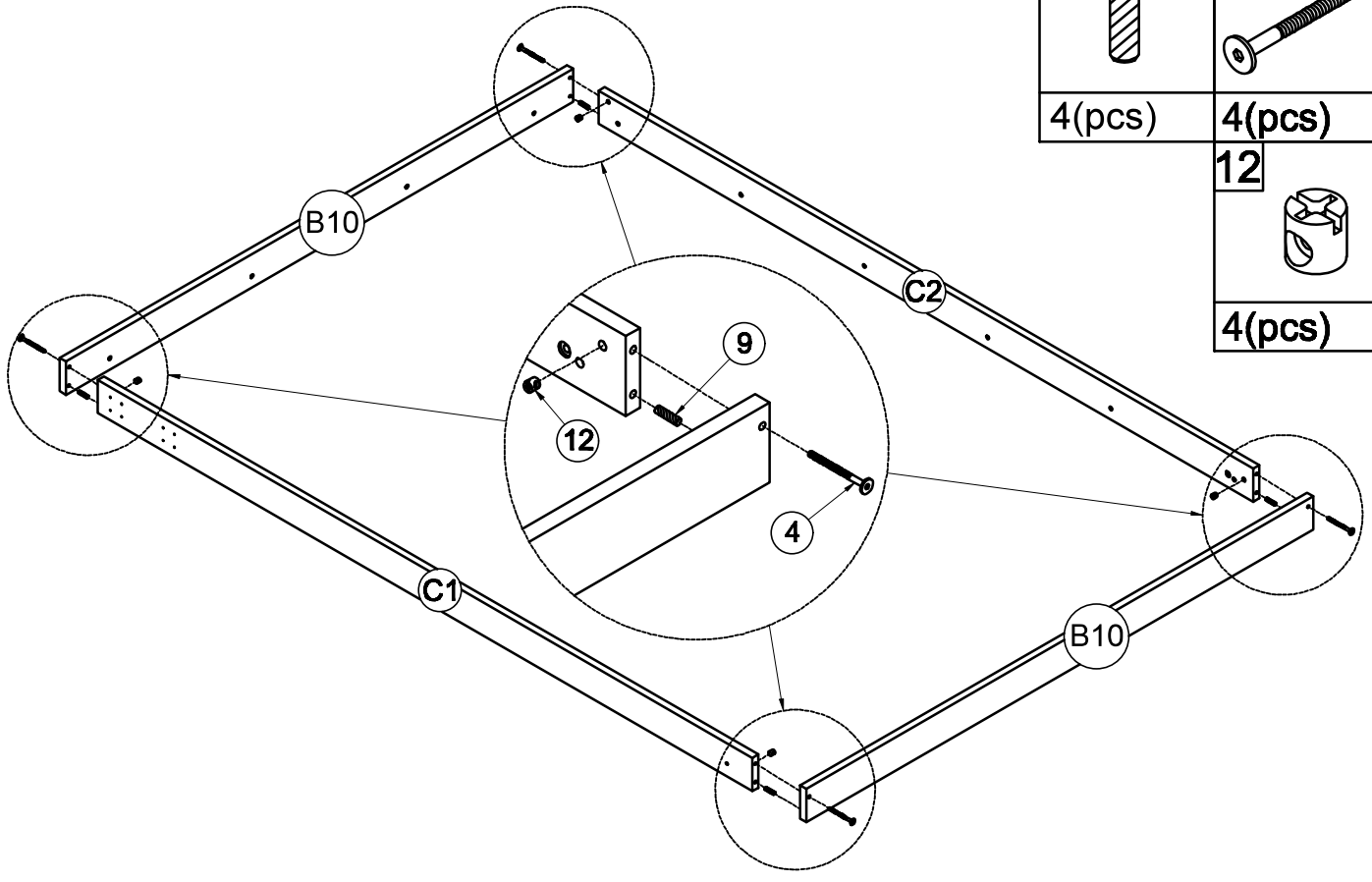
STEP14: Following below illustration.

| |
|---|
| 18  |
| 4(pcs) |


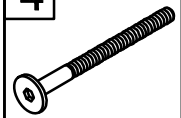


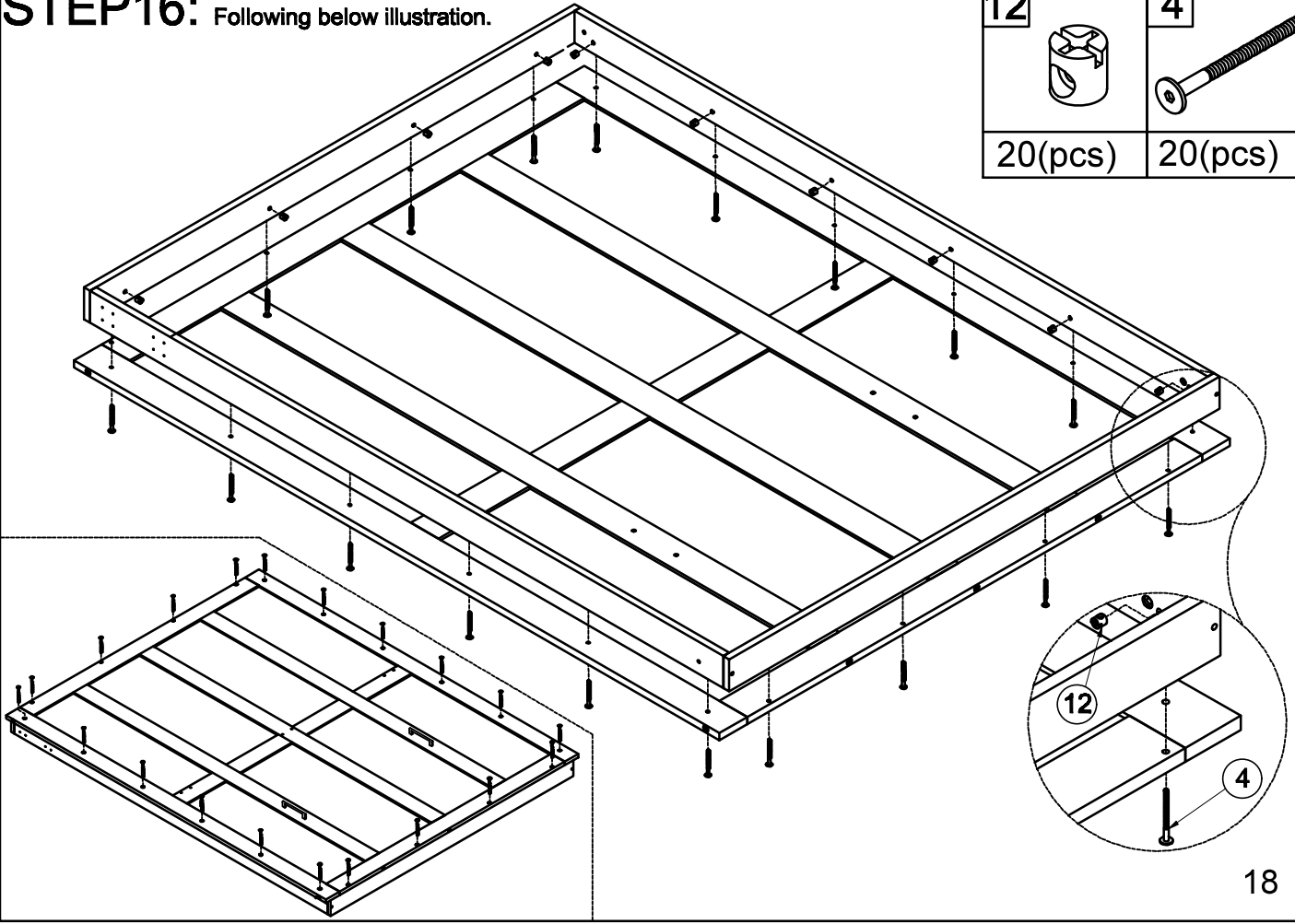
STEP15: Following below illustration.

| | | | |
|--------|--|--------|---|
| 9 |  | 4 |  |
| 4(pcs) | | 4(pcs) | |
| | | 12 |  |
| | | 4(pcs) | |




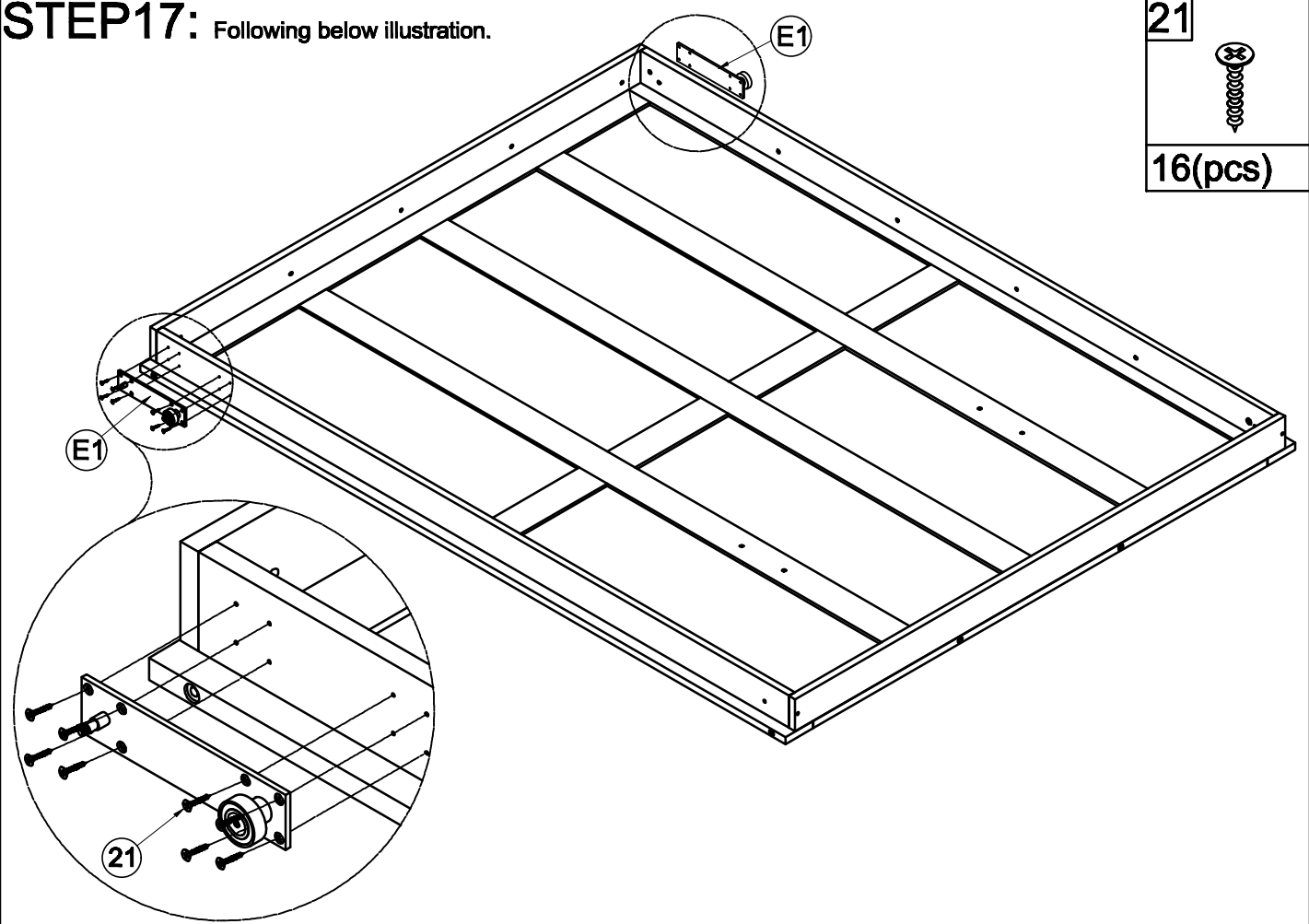
STEP16: Following below illustration.

| | | | |
|---------|---|---------|---|
| 12 |  | 4 |  |
| 20(pcs) | | 20(pcs) | |




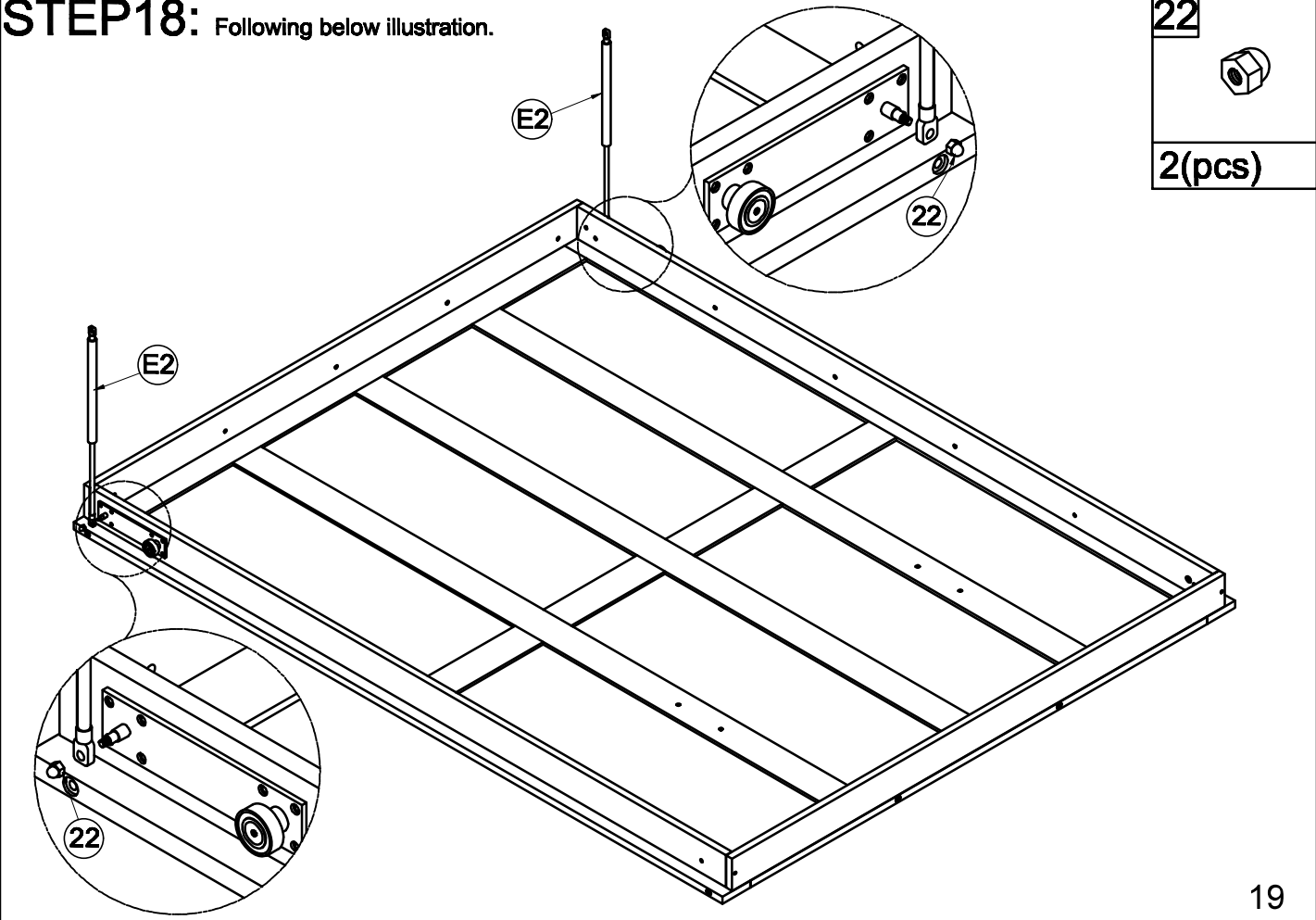
STEP17: Following below illustration.

21

16(pcs)



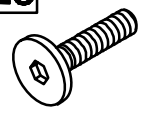
STEP18: Following below illustration.

22

2(pcs)

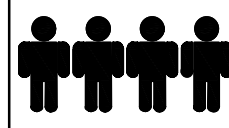


STEP 19: Following below illustration.

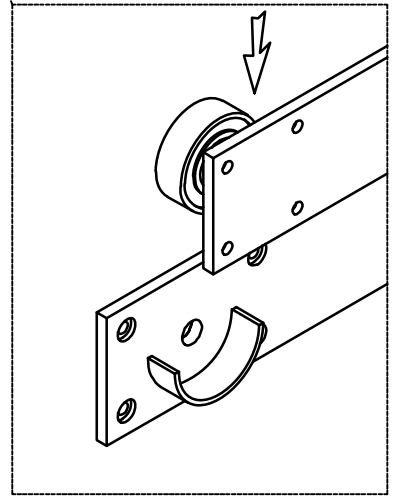
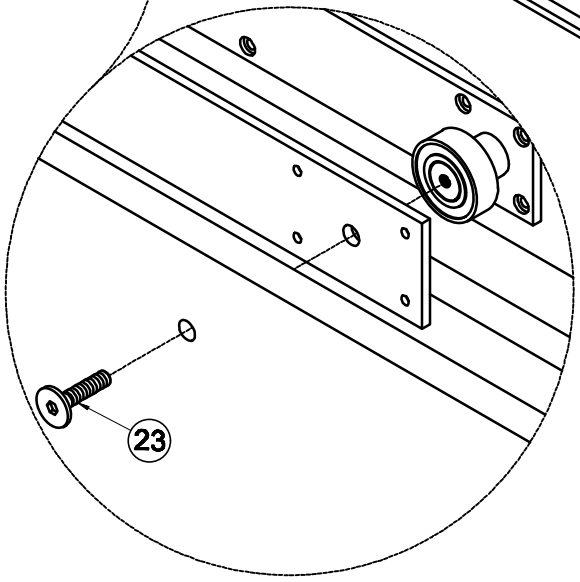
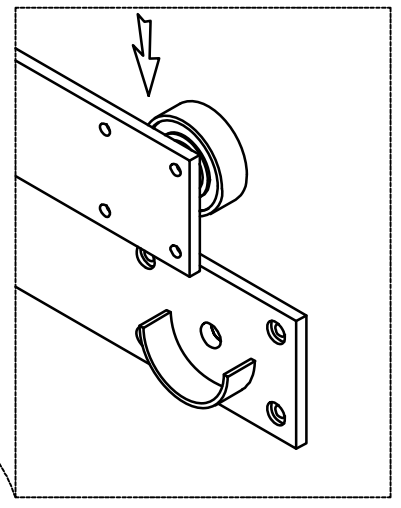
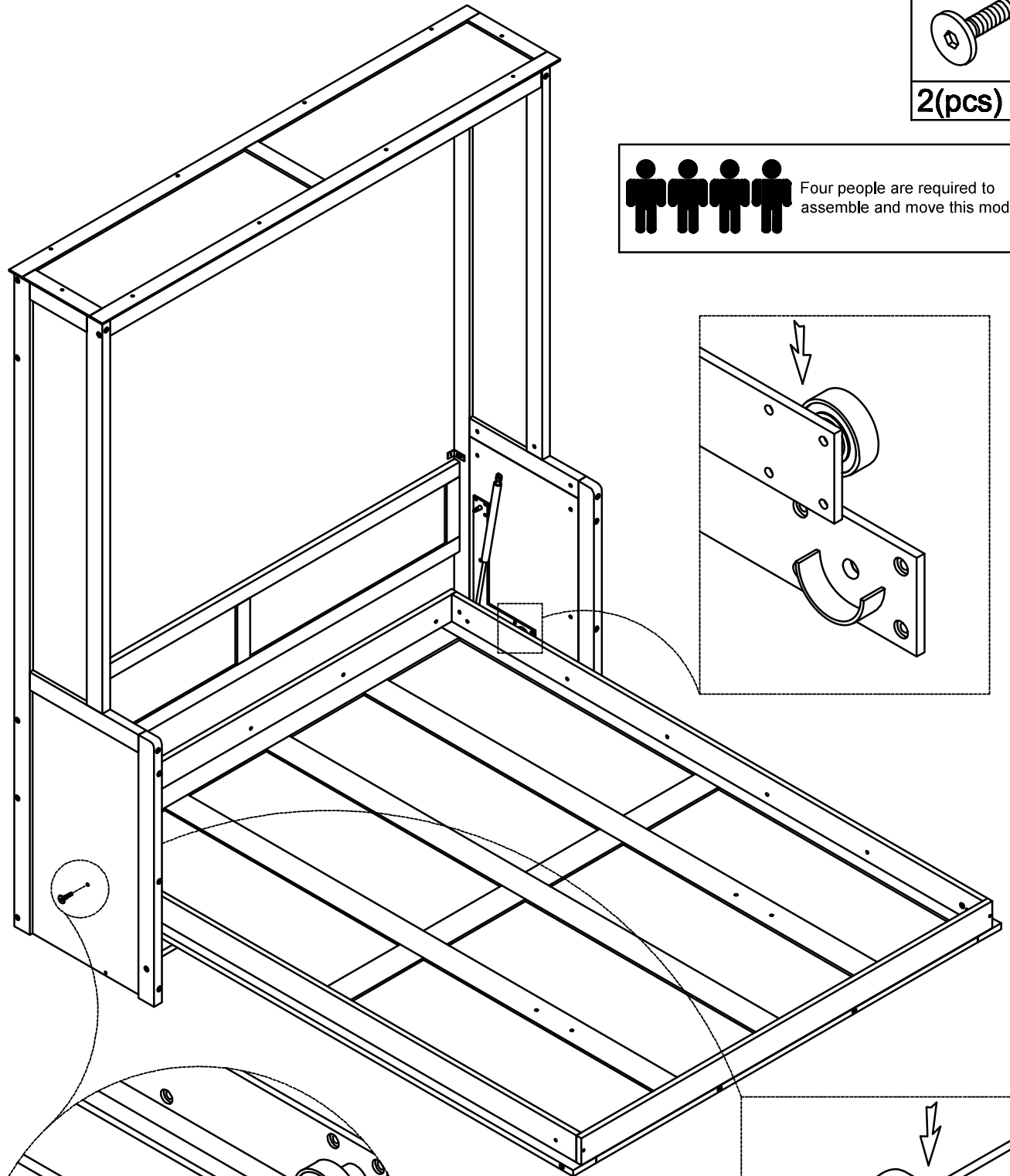
23



2(pcs)



Four people are required to assemble and move this model.



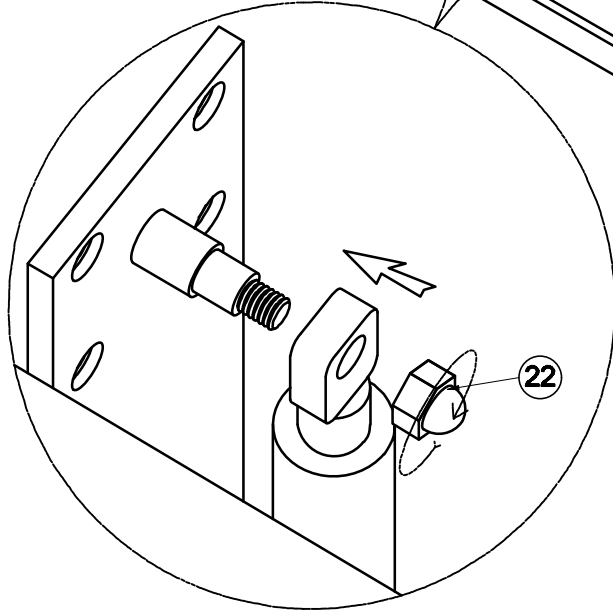
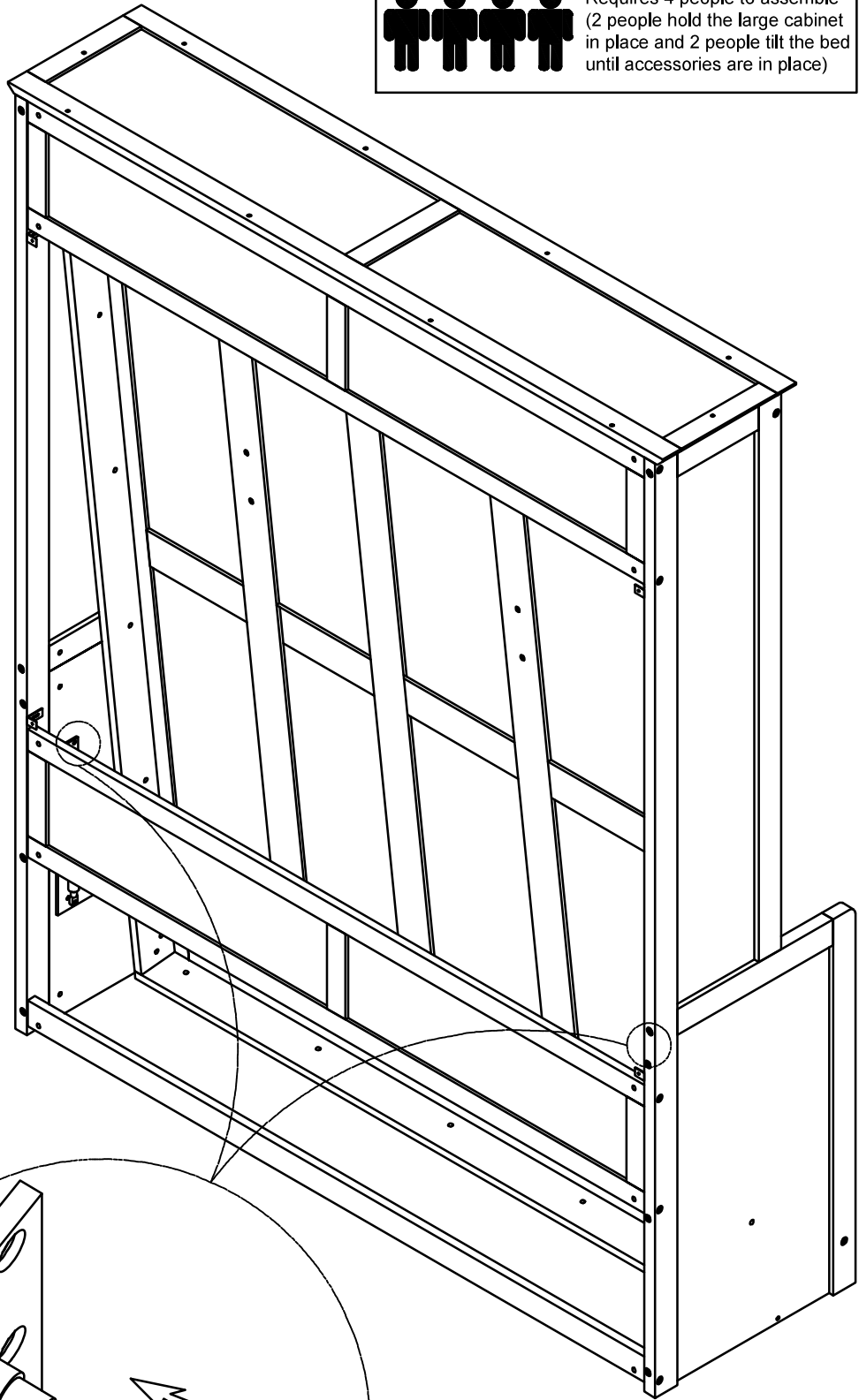
STEP20: Following below illustration.

 Requires 4 people to assemble
(2 people hold the large cabinet
in place and 2 people tilt the bed
until accessories are in place)



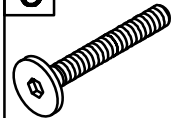
22

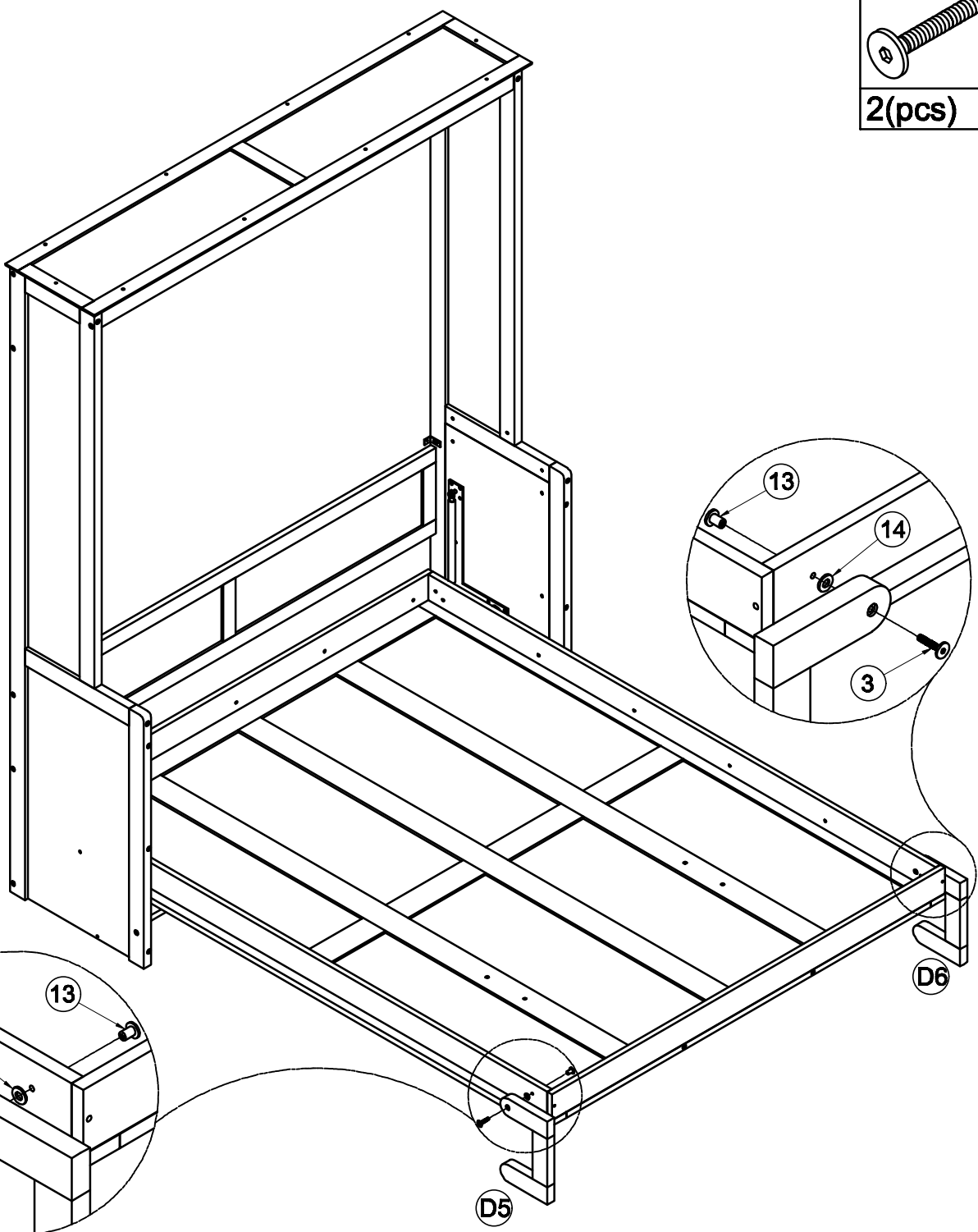


2(pcs)

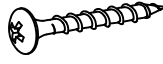



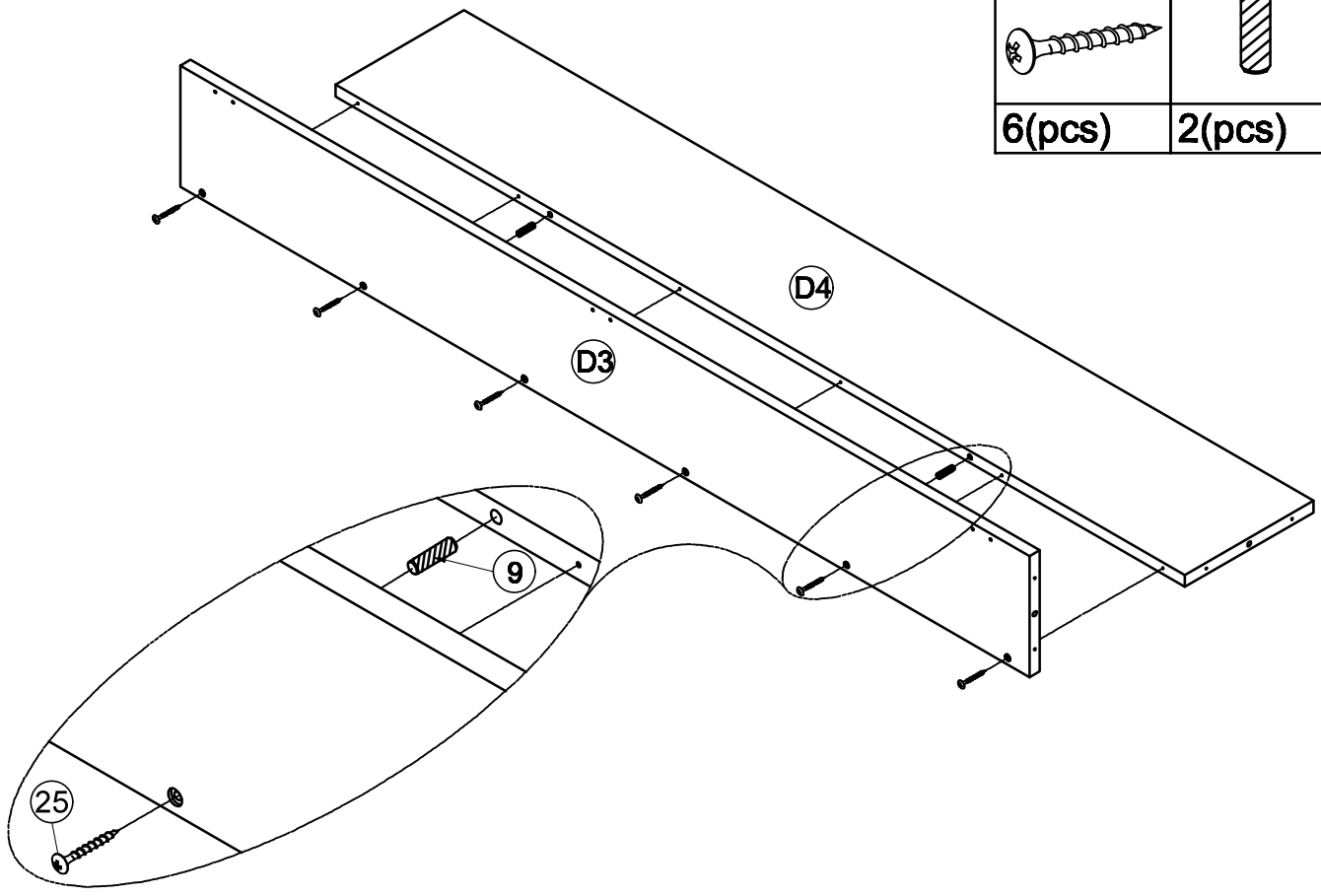
STEP21: Following below illustration.

| | | | |
|--------|--|--------|---|
| 14 |  | 13 |  |
| 2(pcs) | | 2(pcs) | |
| | | 3 |  |
| | | 2(pcs) | |

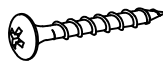
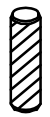


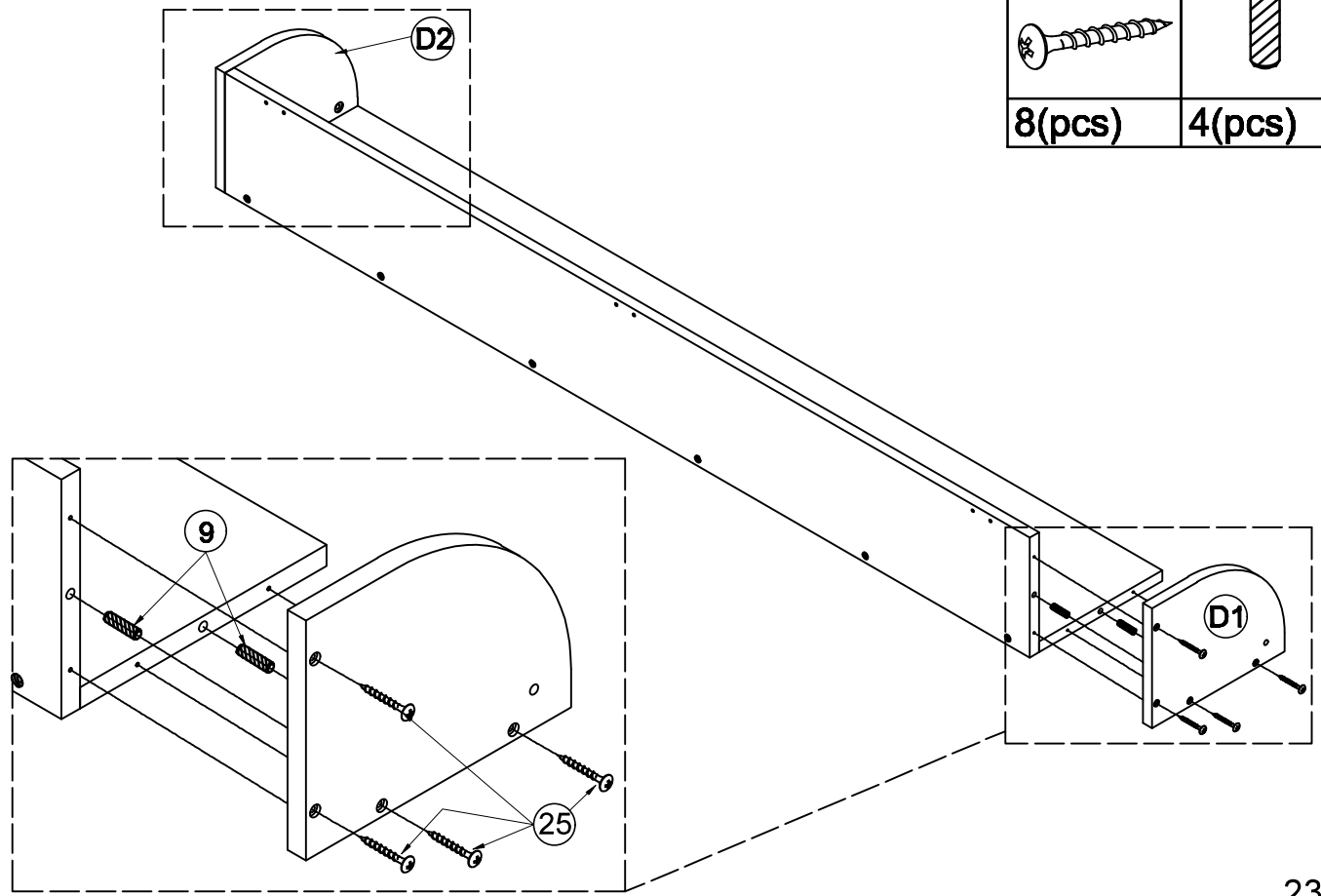
STEP22: Following below illustration.

| | |
|---|--|
| 25 | 9 |
|  |  |
| 6(pcs) | 2(pcs) |



STEP23: Following below illustration.

| | |
|---|---|
| 25 | 9 |
|  |  |
| 8(pcs) | 4(pcs) |

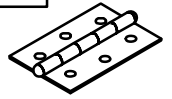


STEP24: Following below illustration.

20

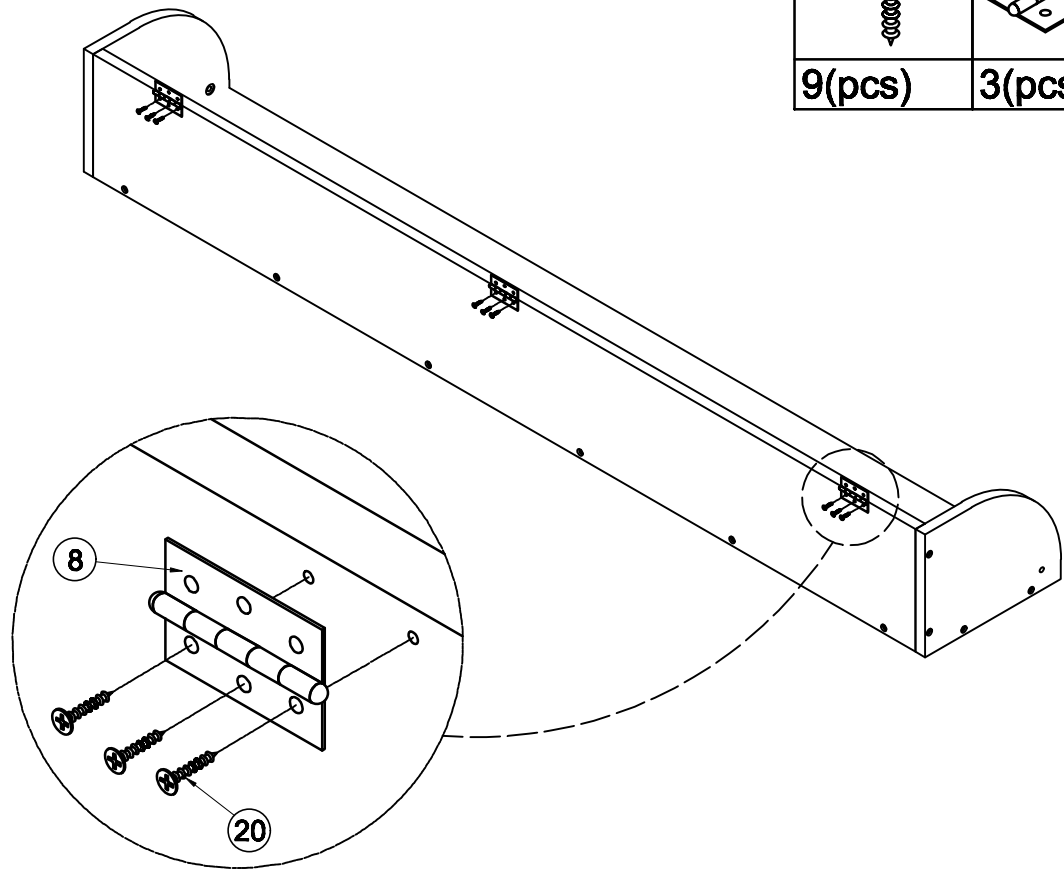


8



9(pcs)

3(pcs)

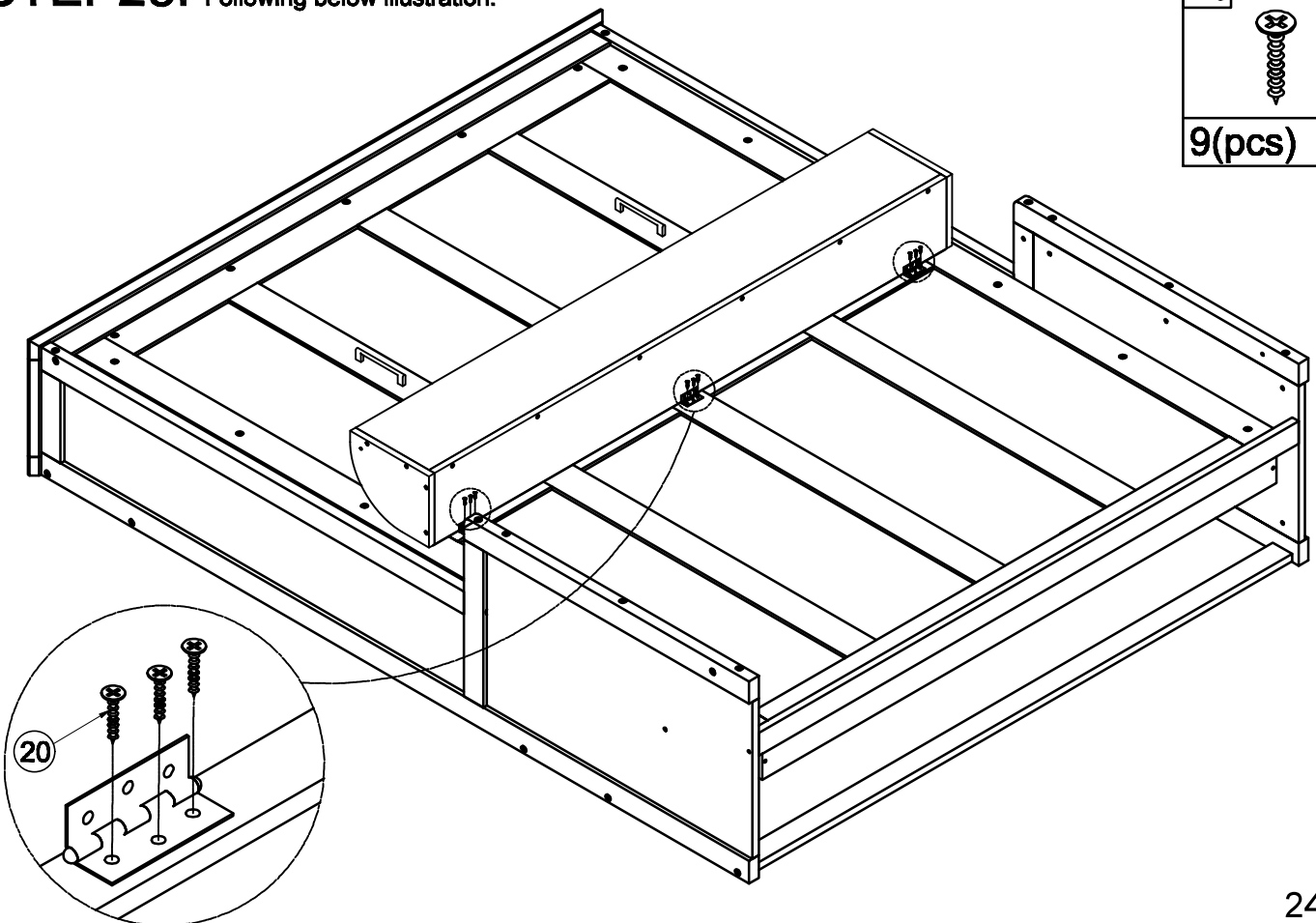


STEP25: Following below illustration.

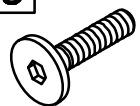

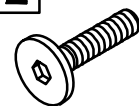
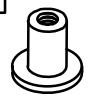
20

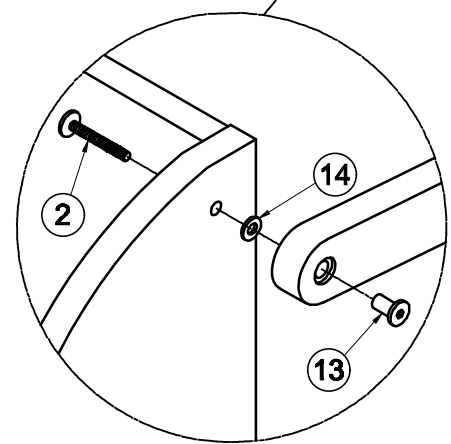
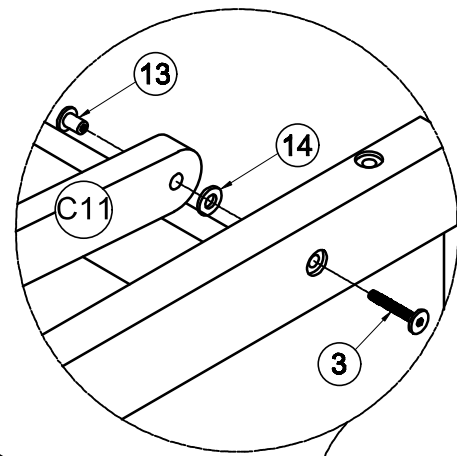
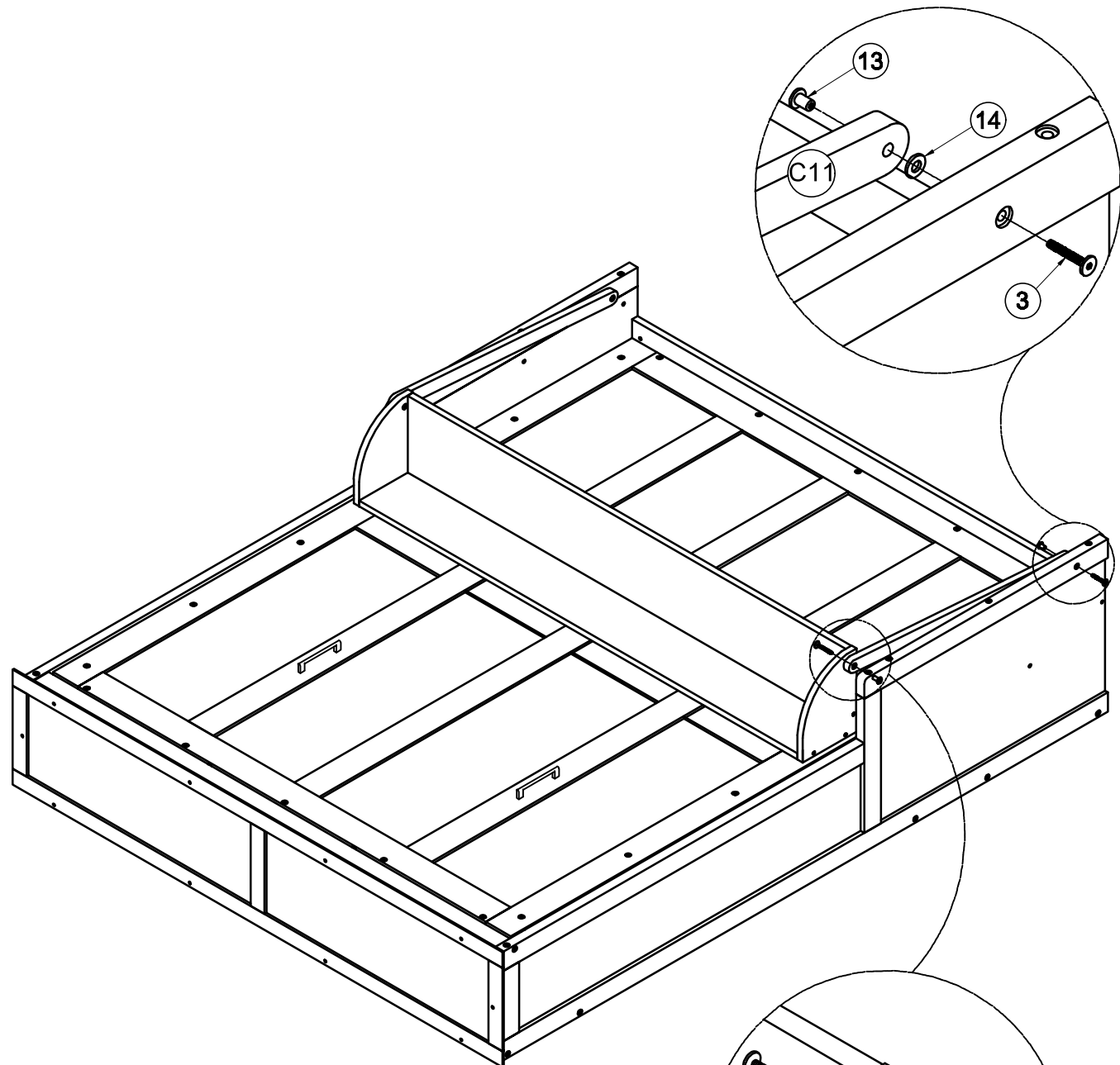


9(pcs)

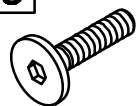

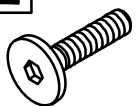
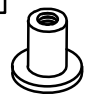


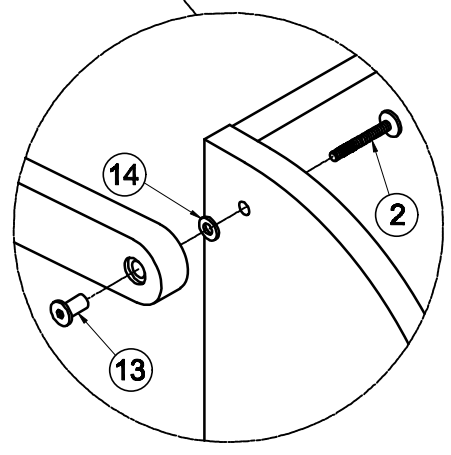
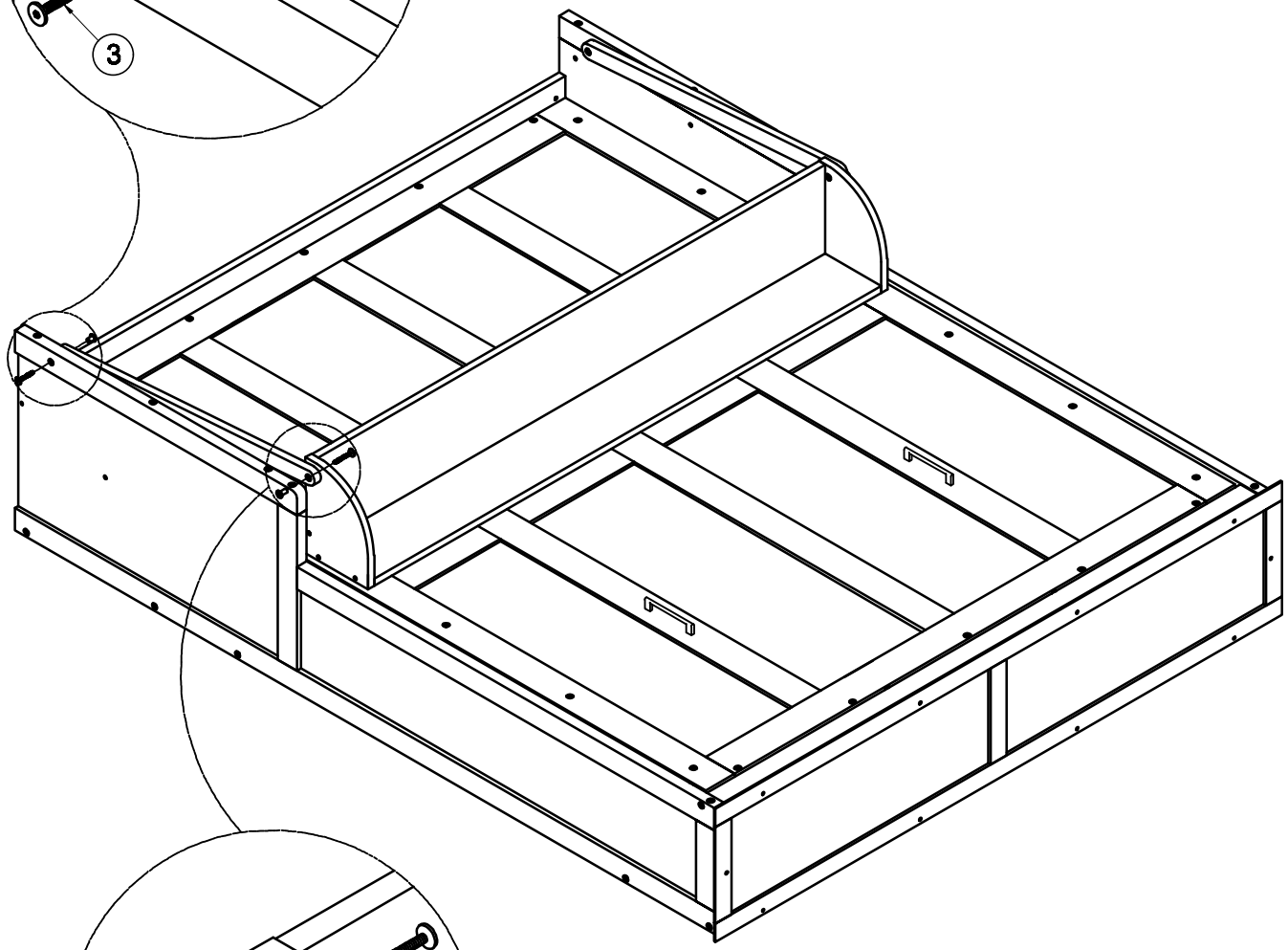
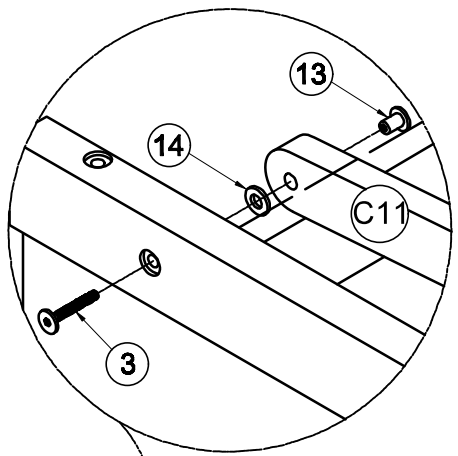
STEP26: Following below illustration.

| | | | |
|--|---|--|---|
| 3  | 14  | 2  | 13  |
| 1(pc) | 2(pcs) | 1(pc) | 2(pcs) |



STEP27: Following below illustration.

| | | | |
|--|--|--|--|
| 3 | 14 | 2 | 13 |
|  |  |  |  |
| 1(pc) | 2(pcs) | 1(pc) | 2(pcs) |



WALL ANCHORING REQUIREMENTS & INSTALLATION RECOMMENDATIONS

Important information to read before starting the assembly.
Keep this information for future reference.



IMPORTANT WARNINGS

Risk of serious injuries if the wall bed tips over.

To prevent wall bed from tipping over, mount it permanently to the wall.

Only a qualified person* must carry out the installation and any possible adjustment of the wall bed (including disassembly). If the wall bed is not firmly mounted (anchored) to the wall, it might tip over and cause serious injuries to the installer, users of the bed as well as the people near the bed.

The choice of wall anchoring depends on the type of wall. Use wall anchors suitable for the wall material.

* Qualified person: it is necessary to have a good understanding of the wall structure where the bed is anchored, including the positioning of the wall studs and structural components in the case of a wood or metal structure. If you do not have the necessary skills, make sure that the wall anchoring is done by someone who has the qualifications and required knowledge. When you choose the installer, make sure to comply with all applicable regulations in the province, state or country where the furniture is installed.

IMPORTANT WARNINGS

INSTALLATION AND APPROPRIATE HARDWARE

Using appropriate hardware, all the anchor screws of the wall bed must be firmly secured to the wood or metal studs, the structural components, or a masonry wall.

Only wall anchor screws for wood-frame walls are provided with this bed.

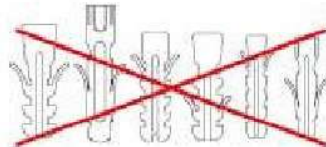
NEVER USE DRYWALL ANCHOR SCREWS OR SECURE THE BED TO DRYWALL

See wall anchoring requirements and installation notes provided in the instruction manual, according to the type of wall, and use the appropriate anchors such as described in this manual.

NUMBER OF SCREWS NEEDED

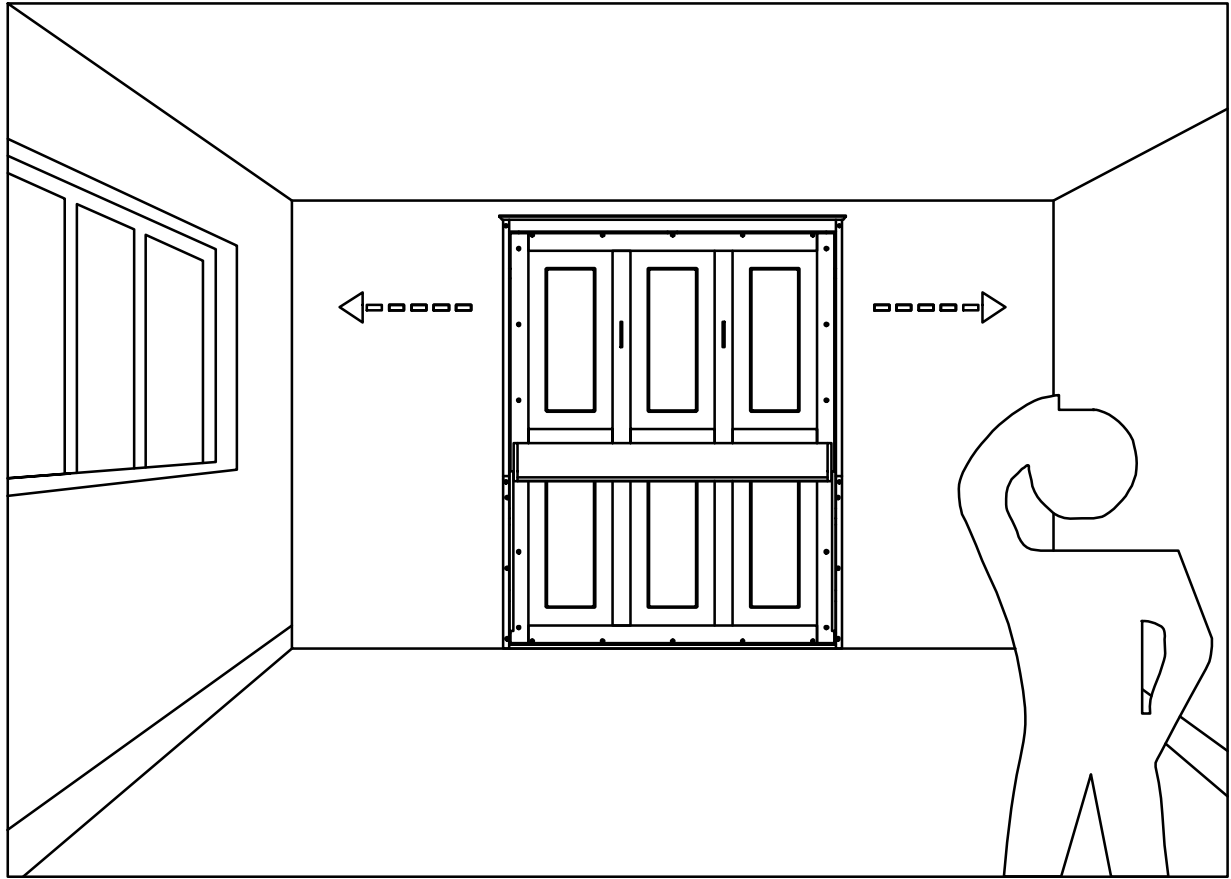
Two (2) screws are required for each anchor point. Three (3) wall anchor points are necessary for the proper installation of the wall bed. So you need a total of six (6) wall anchor screws.

THE SCREWS MUST BE VERY WELL ANCHORED TO THE STRUCTURAL COMPONENTS OF THE WALL.

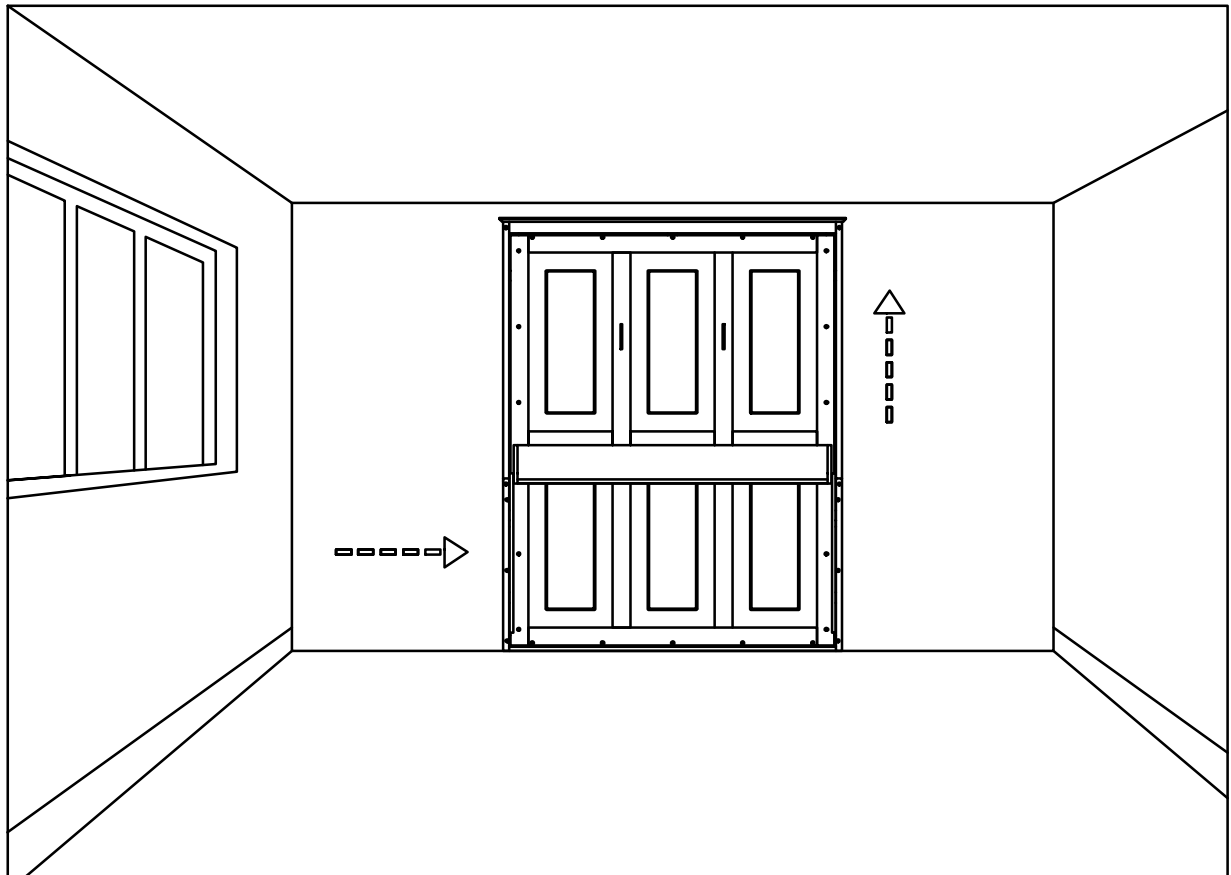


** A CERTIFIED CONSTRUCTION PROFESSIONAL, IN COMPLIANCE WITH APPLICABLE REGULATIONS IN THE PROVINCE, STATE, OR COUNTRY WHERE THE FURNITURE IS INSTALLED.

1- Determine the position of the bed in the room.

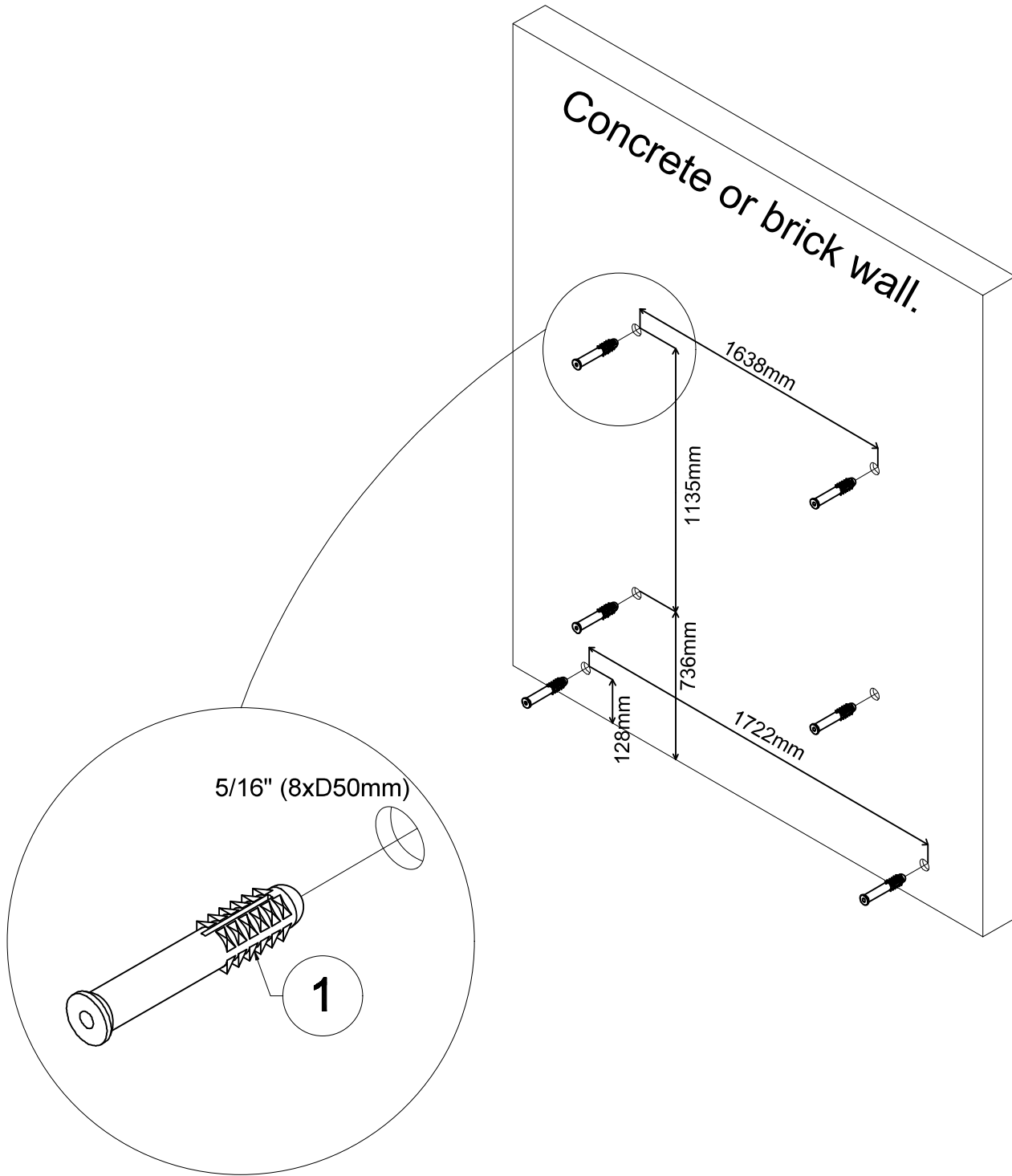


2- Put the bed back in its place. Please keep it vertical and horizontal.




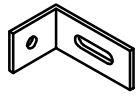



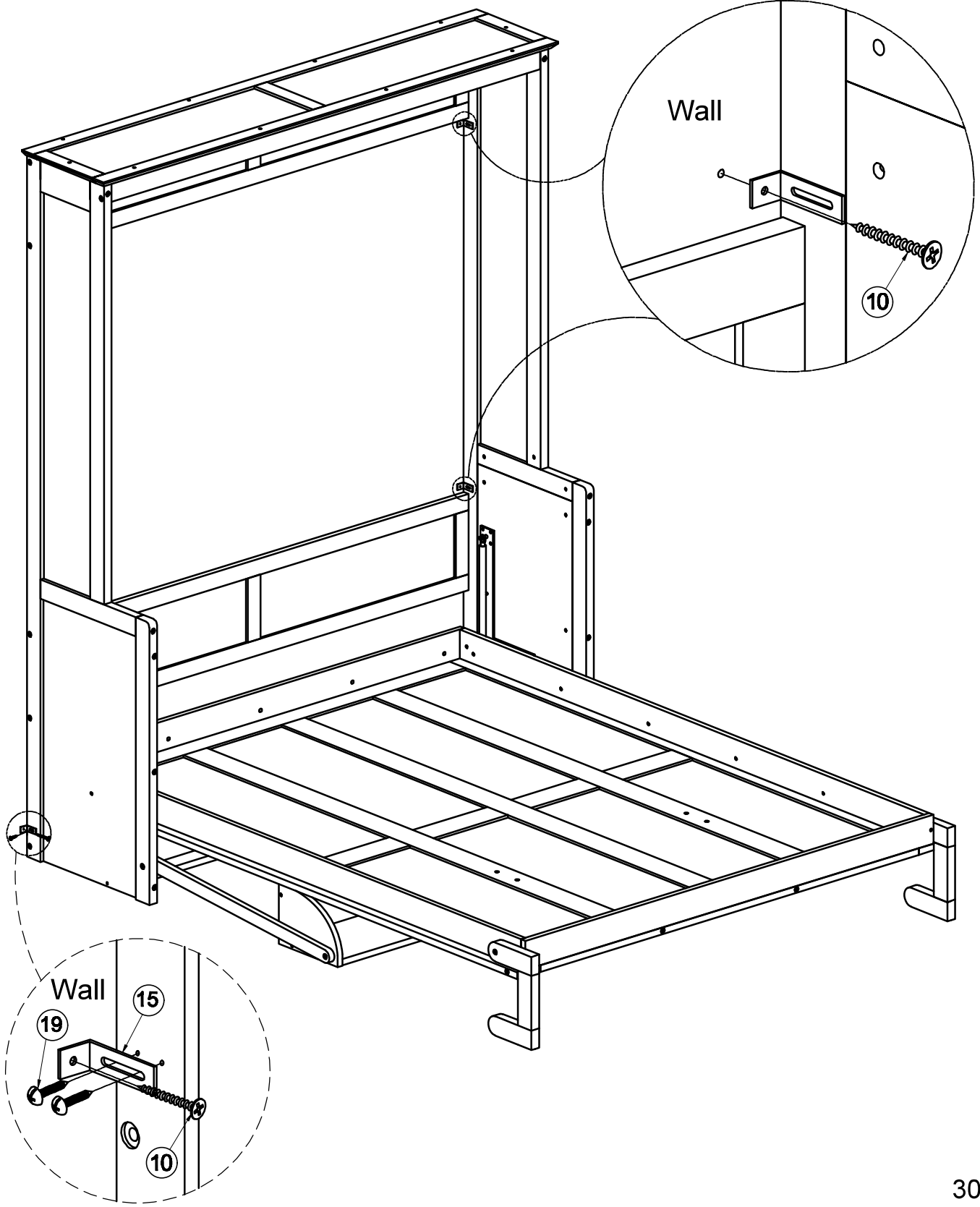
STEP 29: Following below illustration:
Make sure that it is fixed to a concrete or brick wall, not a hollow panel wall.




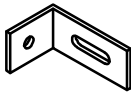

STEP 30: Following below illustration.

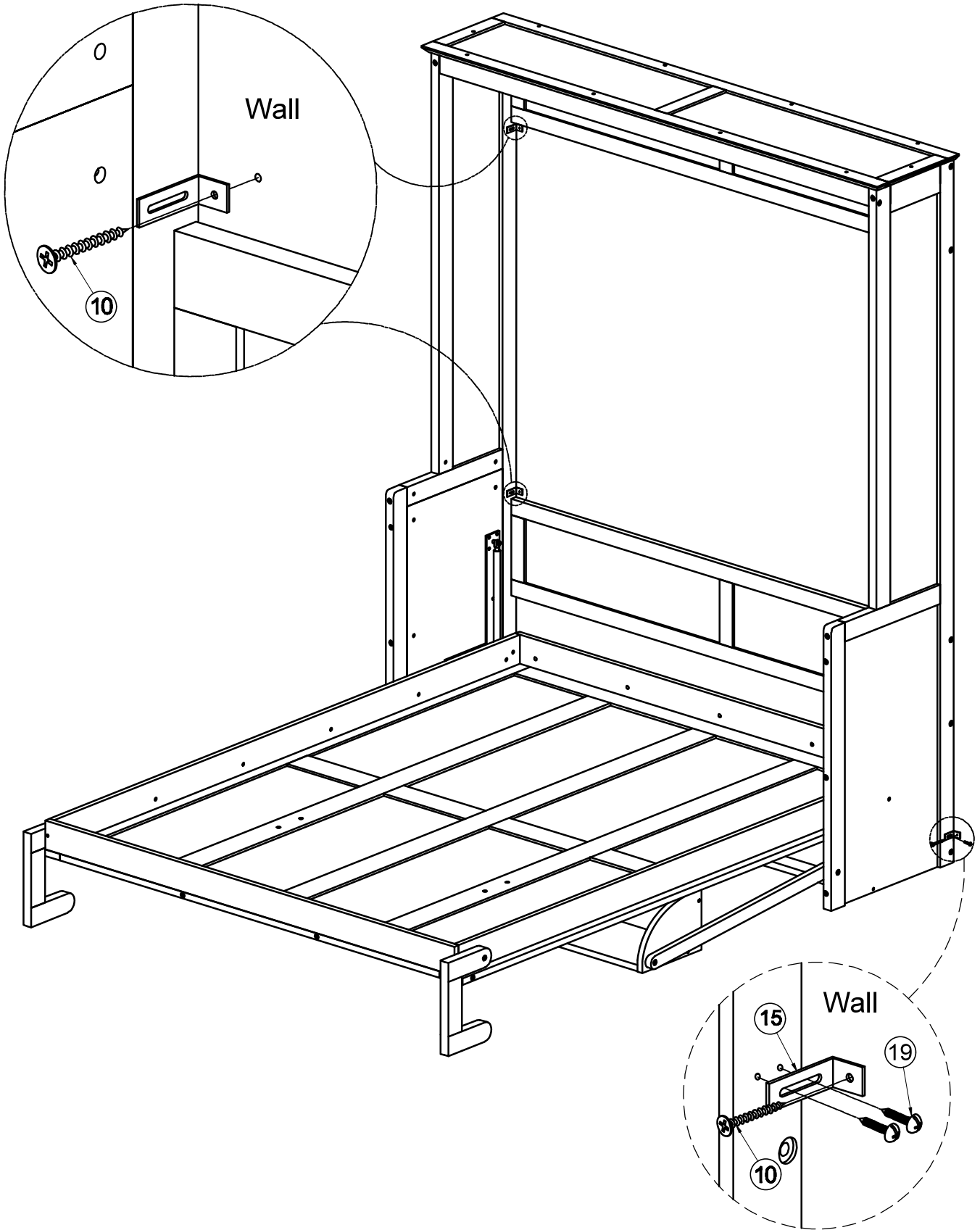
 Four people are required to assemble and move this model.

| | | | | | |
|--------|--|-------|--|--------|--|
| 19 |  | 15 |  | 10 |  |
| 2(pcs) | | 1(pc) | | 3(pcs) | |

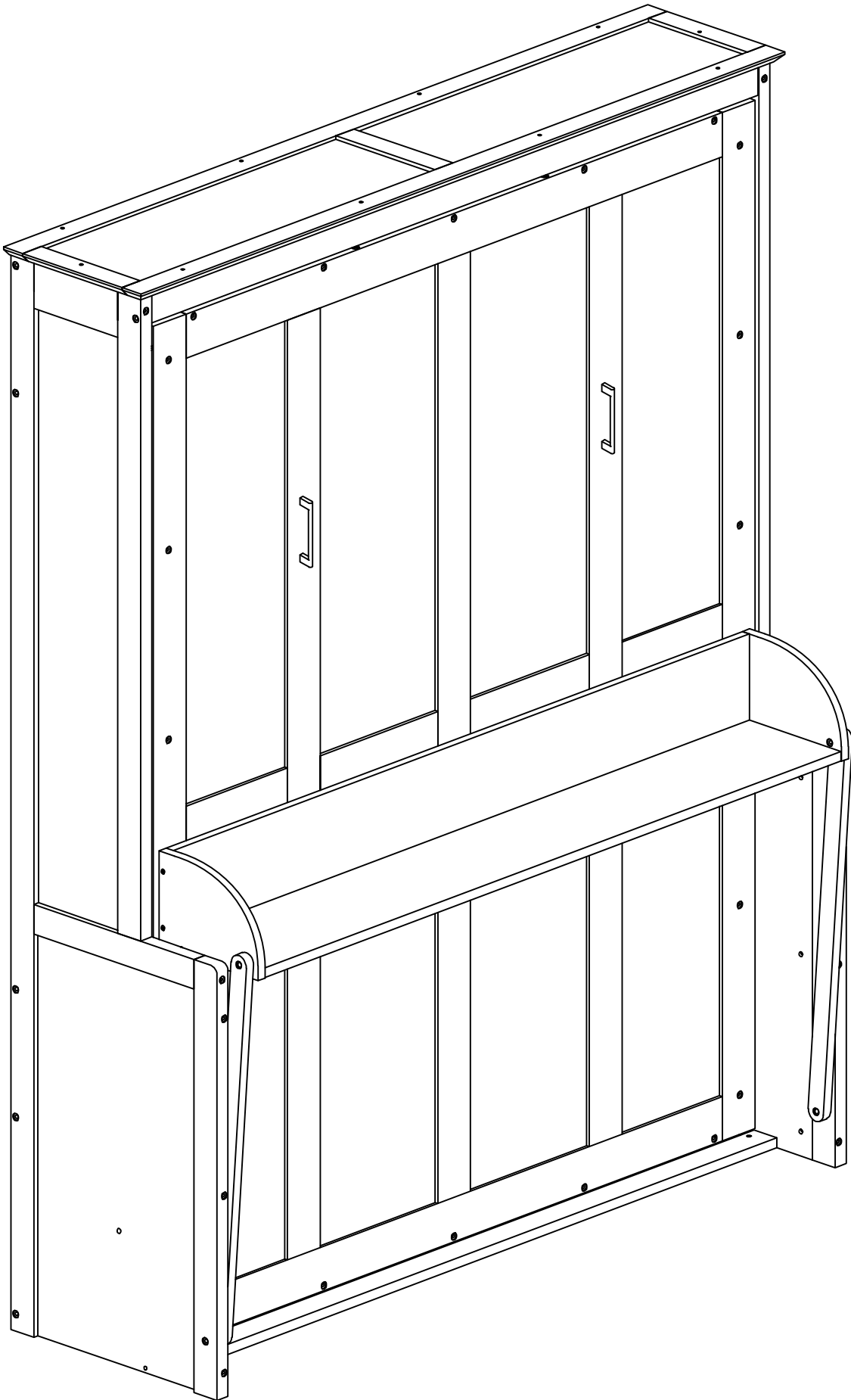


STEP31: Following below illustration.

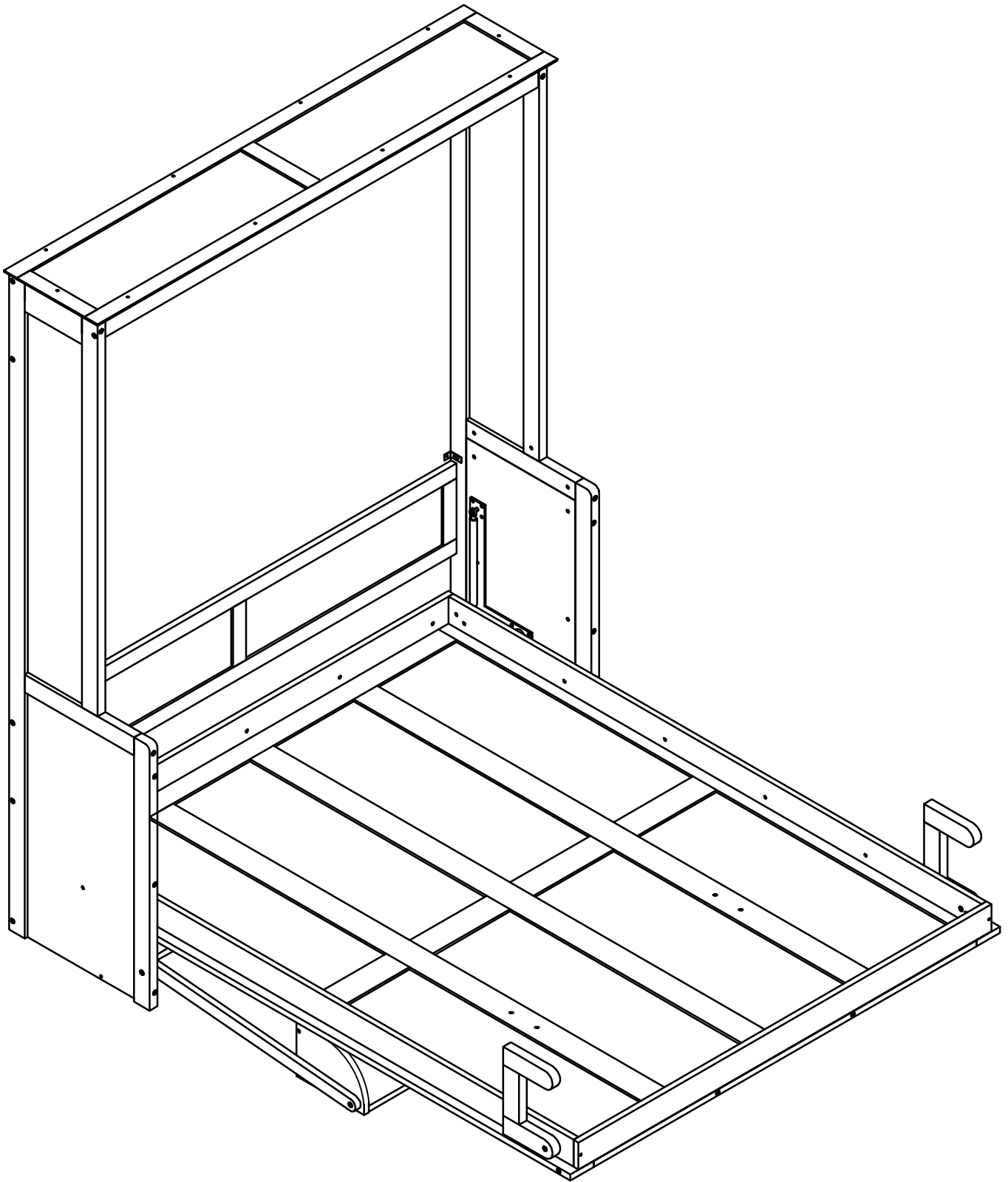
| | | |
|--|--|--|
| 19 | 15 | 10 |
|  |  |  |
| 2(pcs) | 1(pc) | 3(pcs) |



OPTION 2



STEP 1: Following below illustration.



STEP2: Following below illustration.

