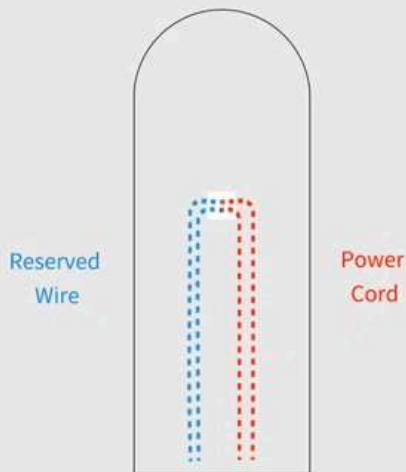
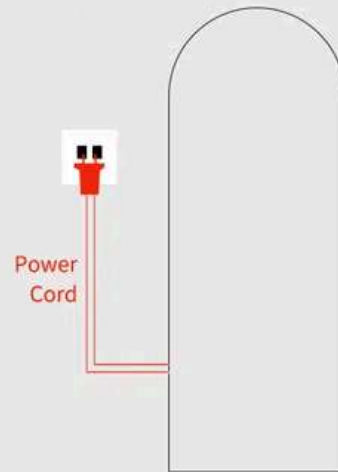


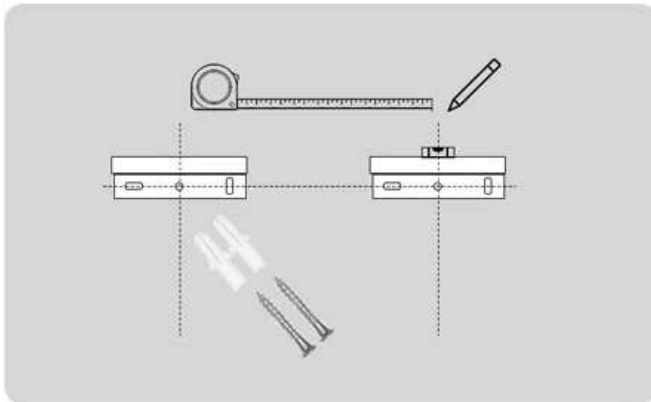
Installation and Wiring Diagrams



A. Cut off the plug and the reserved wire connection. The wiring port can be hidden on the back of the mirror.

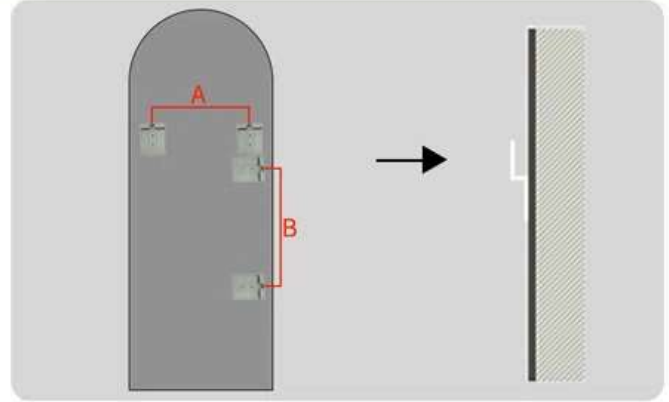


B. Plug the mirror directly into a wall outlet for use



Step1

Mounting the holes of bracket on the wall
Supports gypsum boards and concrete walls



Step2

Mounting the hangers behind mirror
mount distance A/B