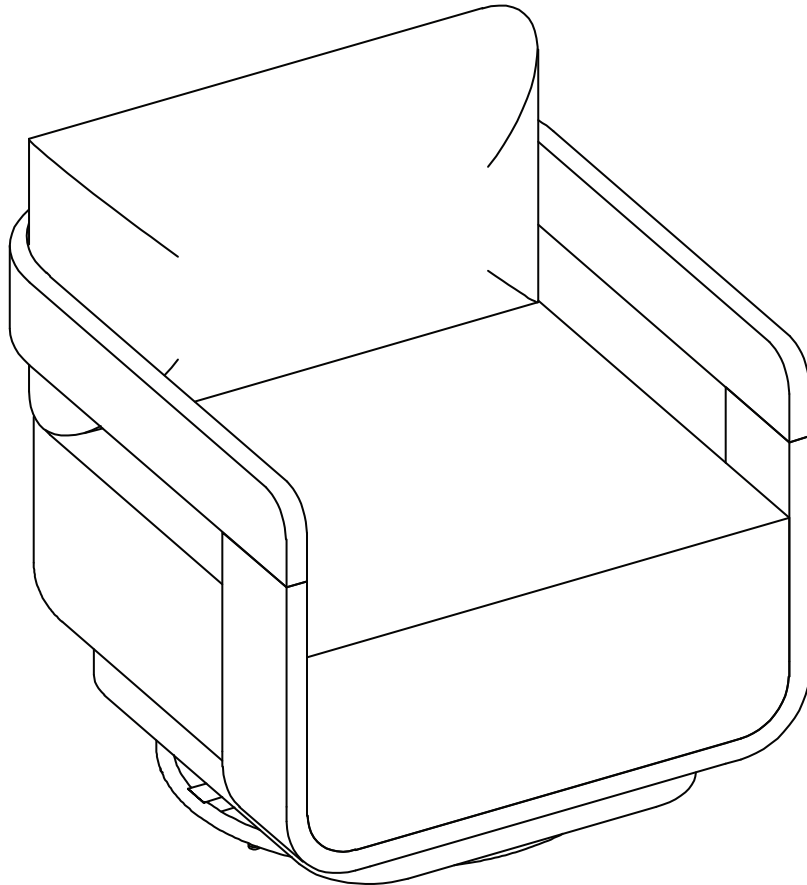


LEILANI TEAK SWIVEL PATIO CHAIR

DESIGN # CPT1080

Assembly Instructions



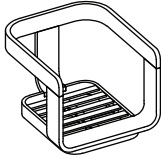
SAFAVIEH
C O U T U R E

Thanks for bringing Safavieh Couture into Your home

Every thing we make is incredibly simple to set up, including your new chair. You won't need any additional tools.

Parts List

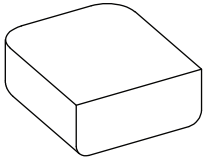
A x 1
Chair Frame



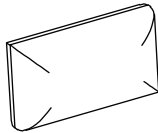
B x 1
Swivel base



CSH1 x 1
Seat Cushion



CSH2 x 1
Back Cushion



Hardware List

HW1 x 4
Screws M6x0.5x 25 mm

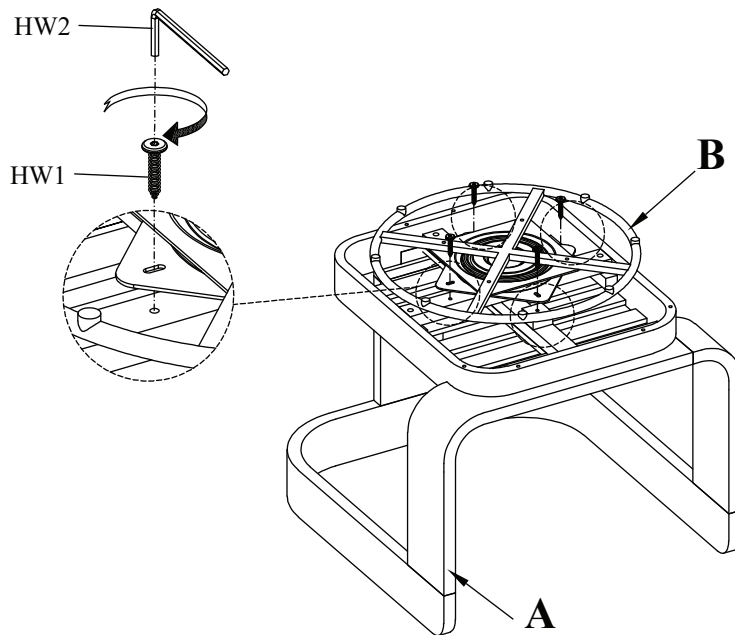


HW2 x 1
Allen key



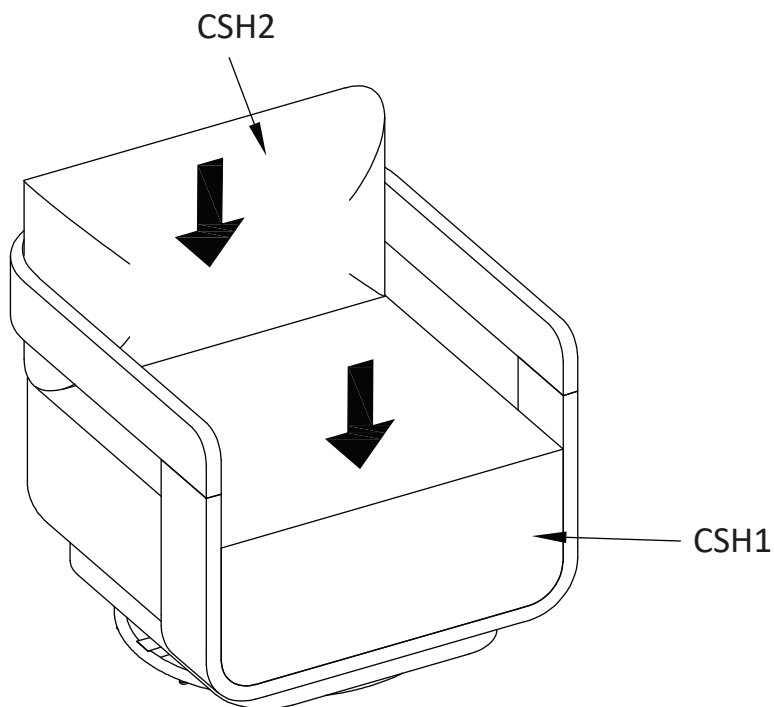
1

Place the Chair Frame (A) upside down on a soft and clean surface. Align the screw holes on the Swivel Base (B) to the screw holes on the Chair Frame (A). Attach them together by using the Allen Key (HW2) to screw in the Bolts (HW1).



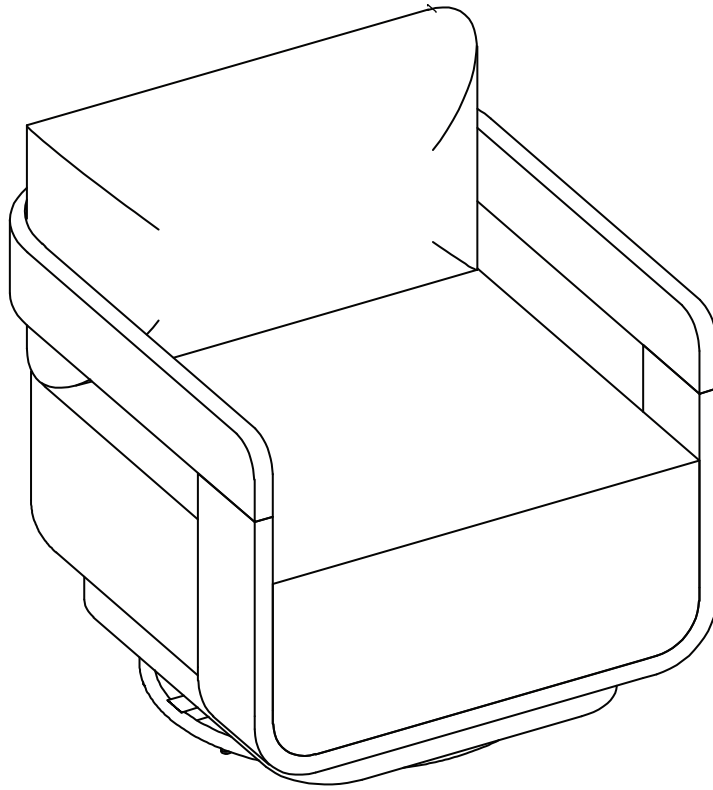
2

Turn the assembled chair upright and make sure it doesn't wobble. Place the Seat Cushion (CSH1) and Back Cushion (CSH2) on the assembled chair.



Place the chair in the place where you will use it. We'd love to see it – just tag us (we're @safavieh) and use the hashtag #safavieh on Instagram!

@safavieh



Need help?

Feel free to contact us via email or call

If you have any specific question!

Contact us:

CS@safavieh.com

866-422-9070