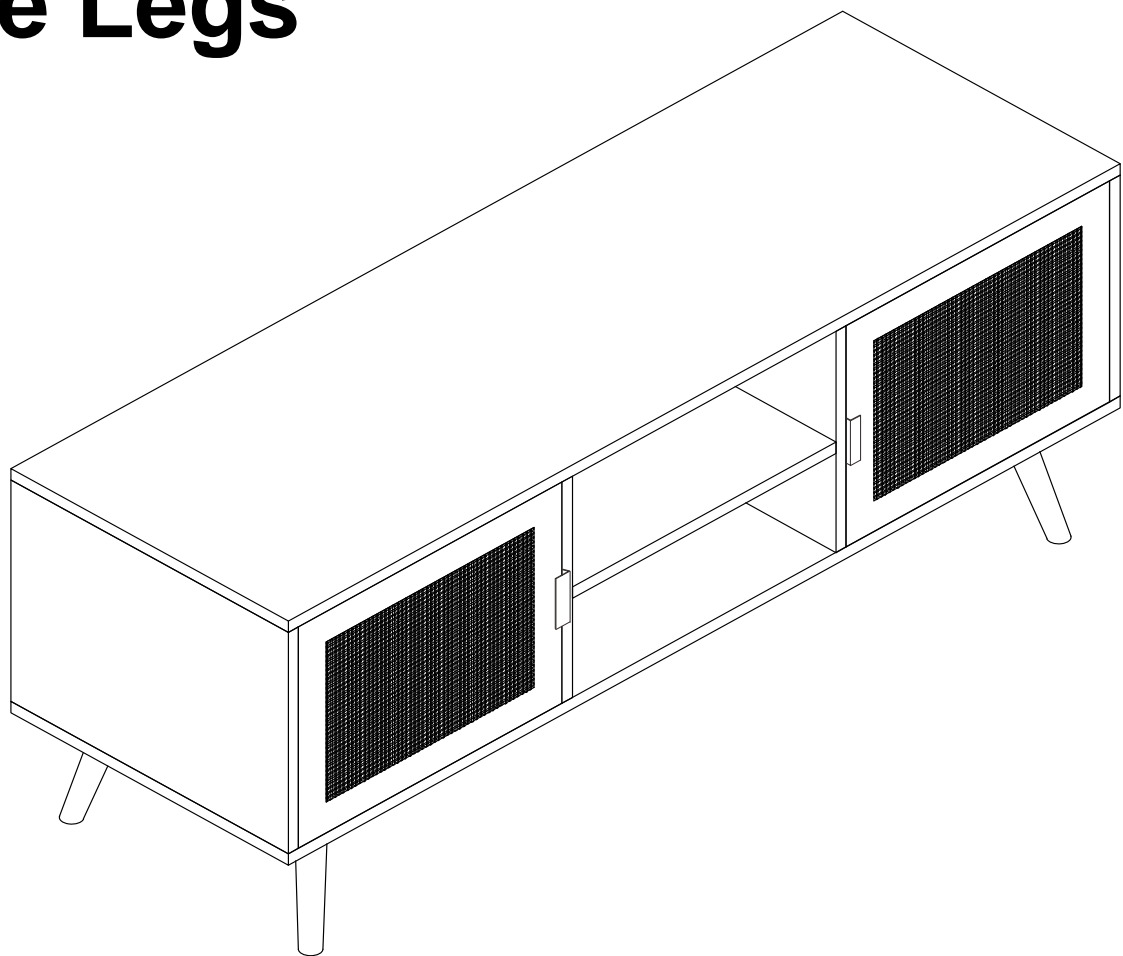


Hi there,

Meet your new

# TV Table with Pine Legs



## Customer Helpline

If you need help or have damaged or missing parts, call our customer helpline

Assembly instructions- Please keep for future reference

# Safety and Care Advice

---

## **IMPORTANT, RETAIN FOR FUTURE REFERENCE: READ CAREFULLY.**

- Keep children and animals away from the work area, small parts could choke if swallowed.
- Make sure you have enough space to layout the parts before starting.
- This product has been constructed to be used in the domestic environment only and not for commercial purposes.

- Assemble the item as close to its final position (in the same room) as possible.
- Assemble on a soft level surface to avoid damaging the unit or your floor.



- We do not recommend the use of power drill/drivers for inserting screws as this could damage the unit. Only use

hand screwdrivers.

- Parts of the assembly will be easier with 2 people.
- Dispose of all packaging carefully and responsibly.

## **Care and maintenance**

---

- Only clean using a damp cloth and mild detergent. Do not use abrasive cleaners.

- From time to time check that there are no loose screws, nuts or bolts. If there are please re-tighten.

- This product should not be discarded with household waste. Take to your local authority waste disposal centre.

## **Additional Guidance**

---

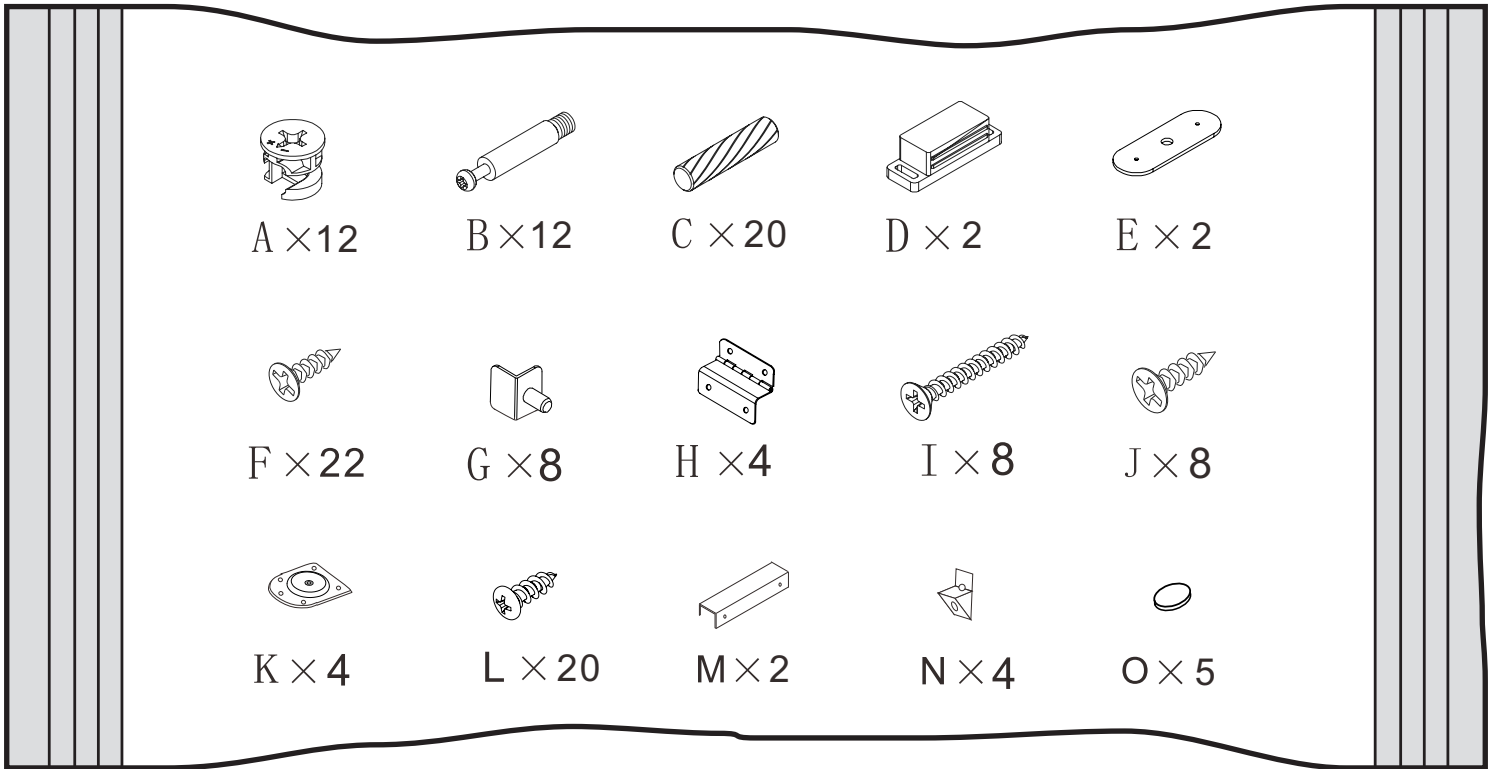
- Assemble all parts and bolts loosely during assembly, only once the product is complete should you fully tighten the bolts.
- Regularly check and ensure that all bolts and fittings are tightened properly.

# Fittings

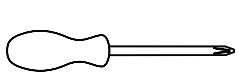
Please check that you have all the fittings listed below:

NOTE: The quantities below are the correct amount to complete the assembly. In some cases more fittings may be supplied than required.

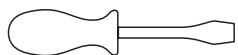
## Bag 1



## Tools required



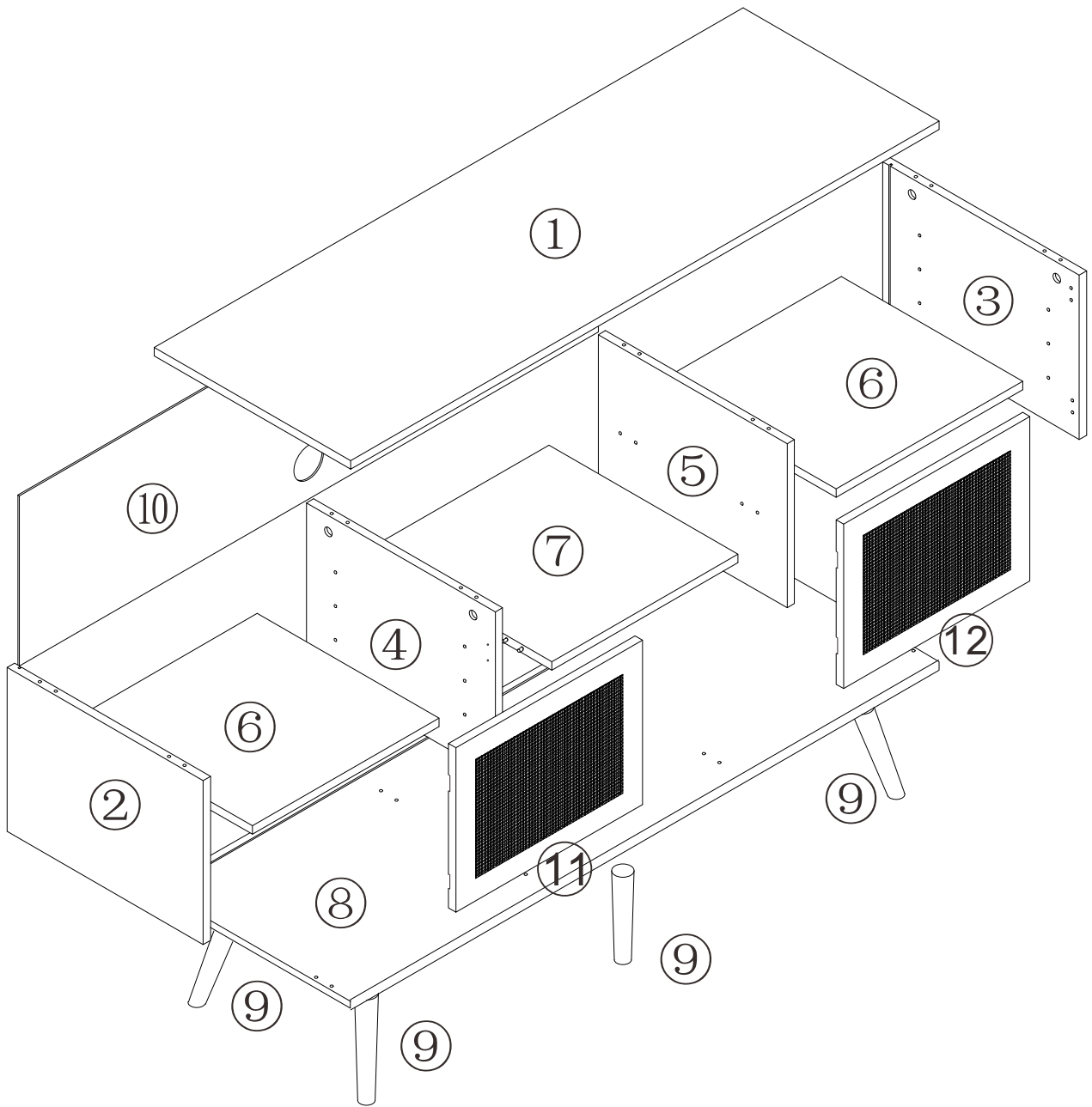
Phillips screwdriver  
(small & medium)



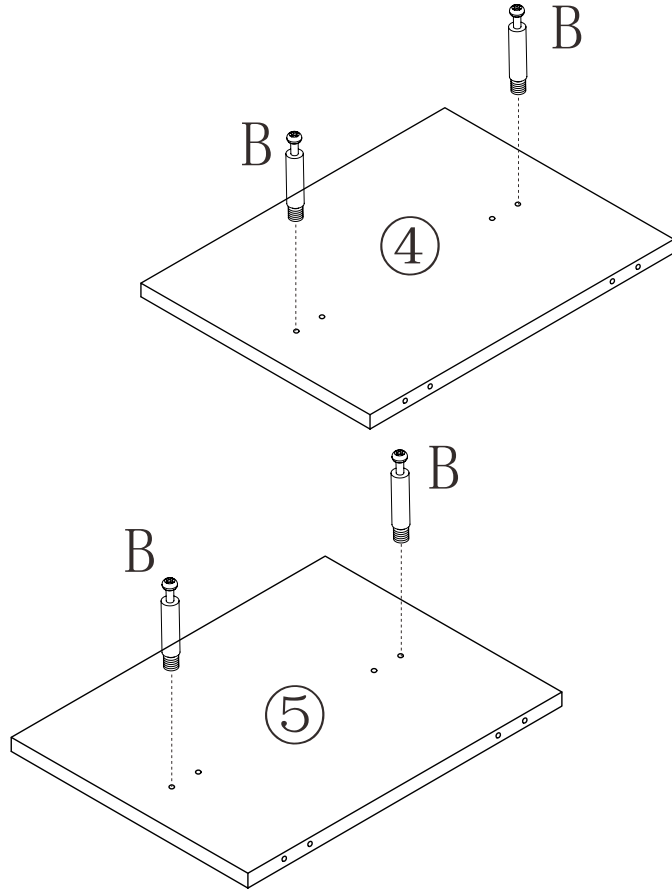
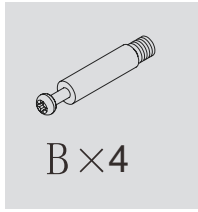
Flathead screwdriver  
(small & medium)

# Panels

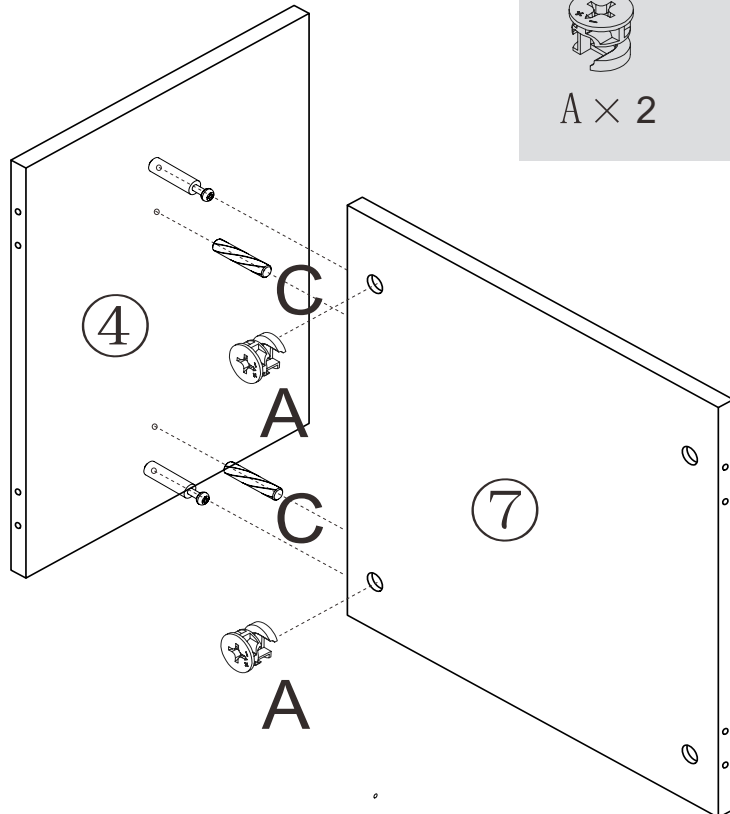
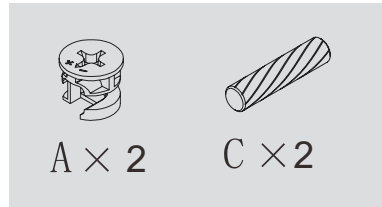
---



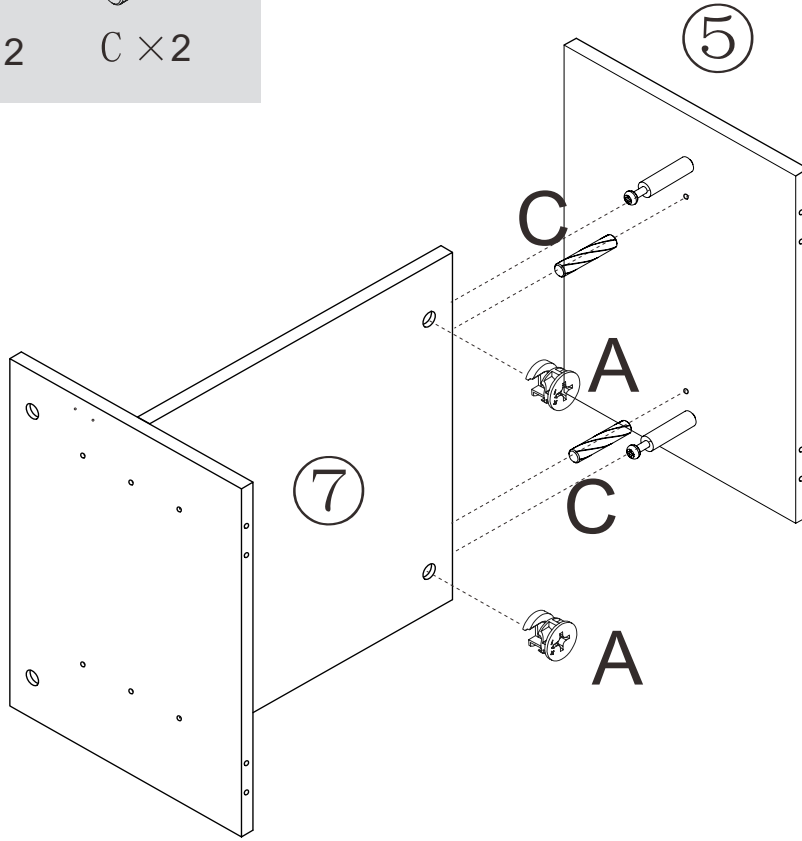
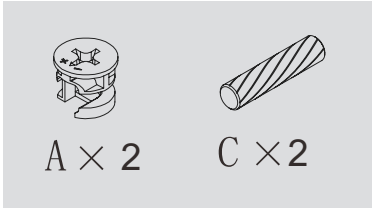
# 1



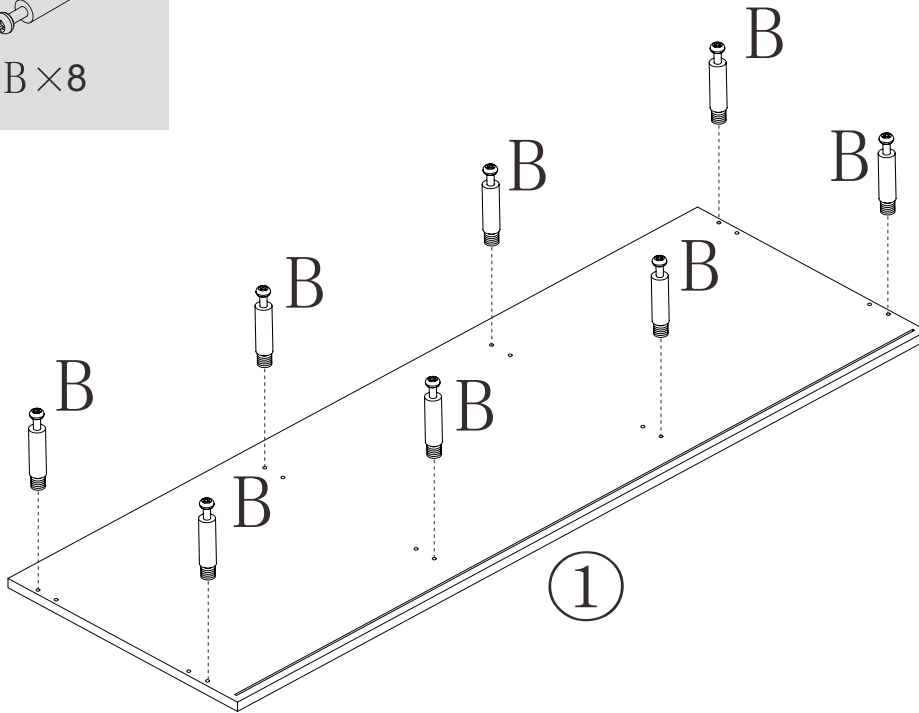
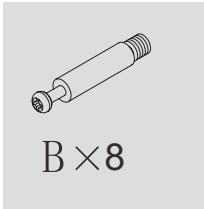
# 2



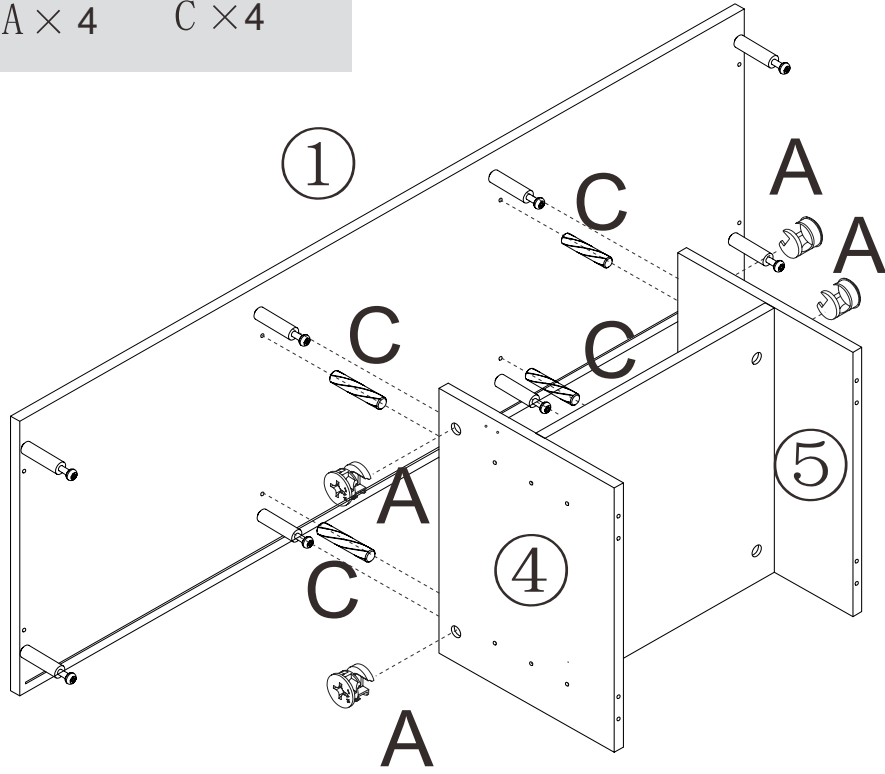
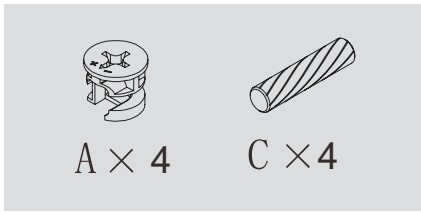
# 3



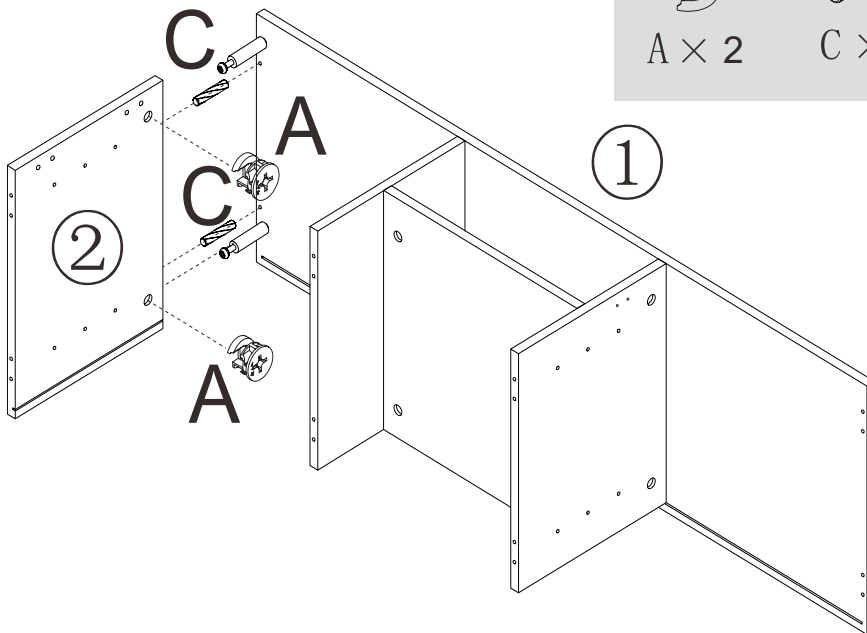
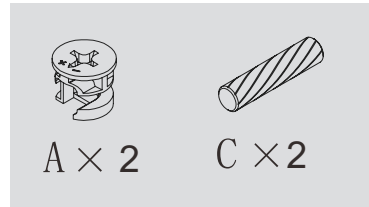
# 4



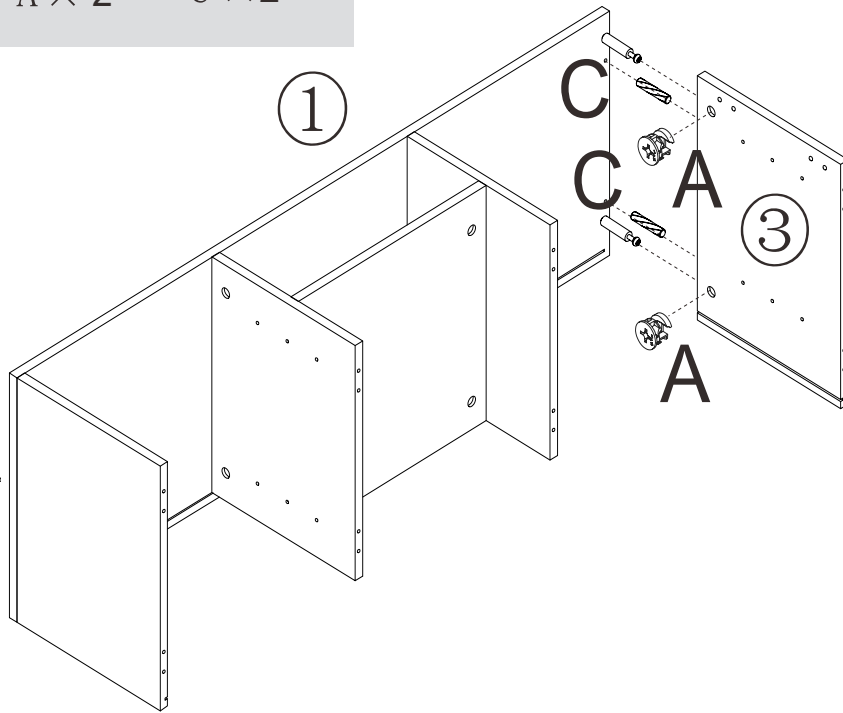
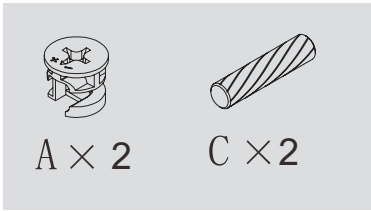
# 5



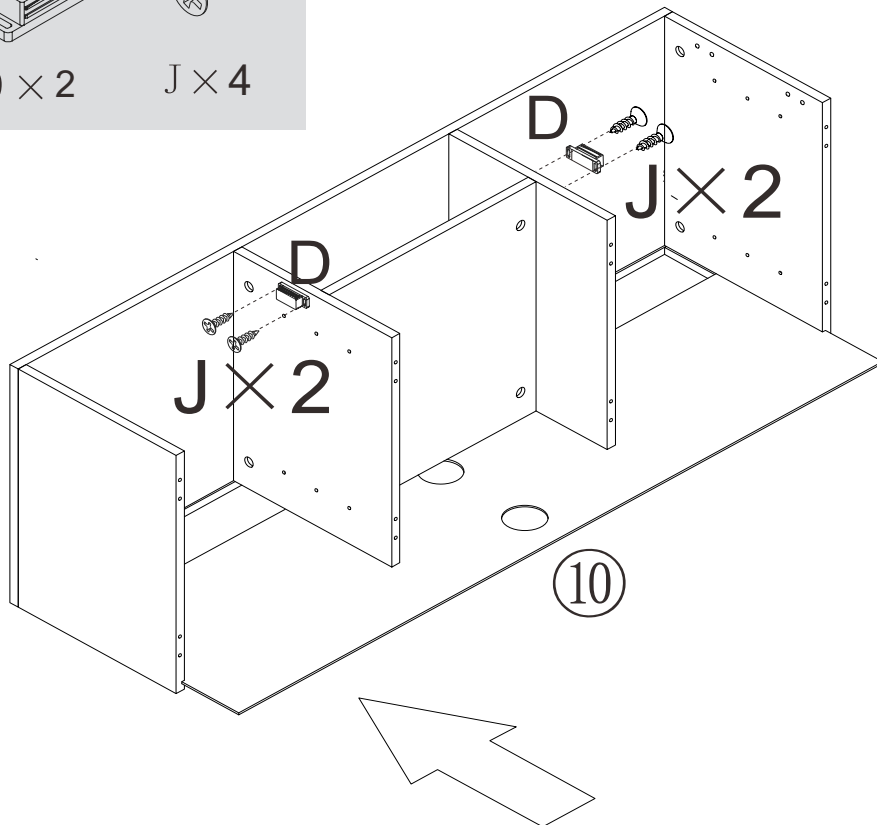
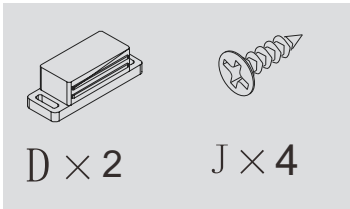
# 6



# 7

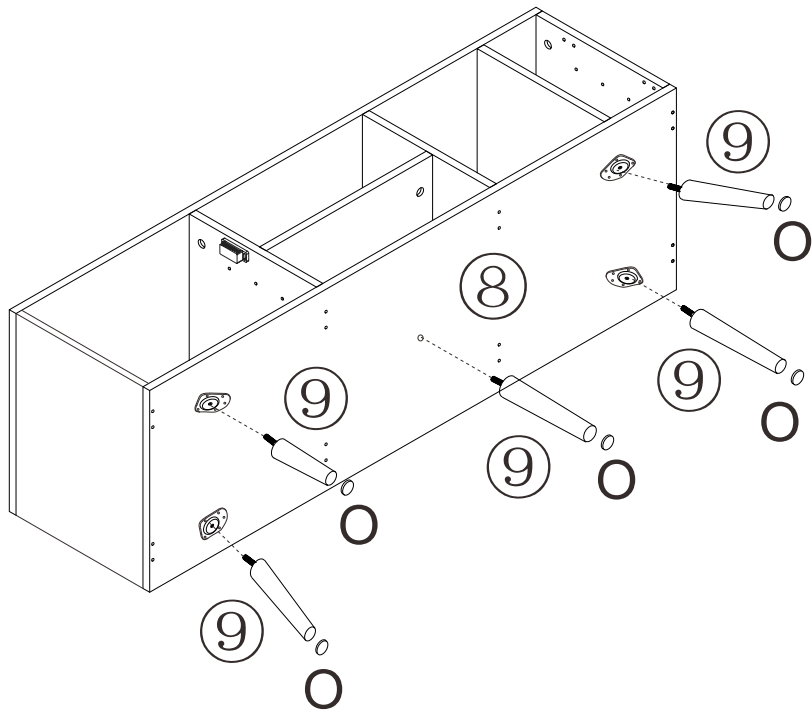
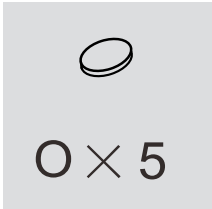


# 8

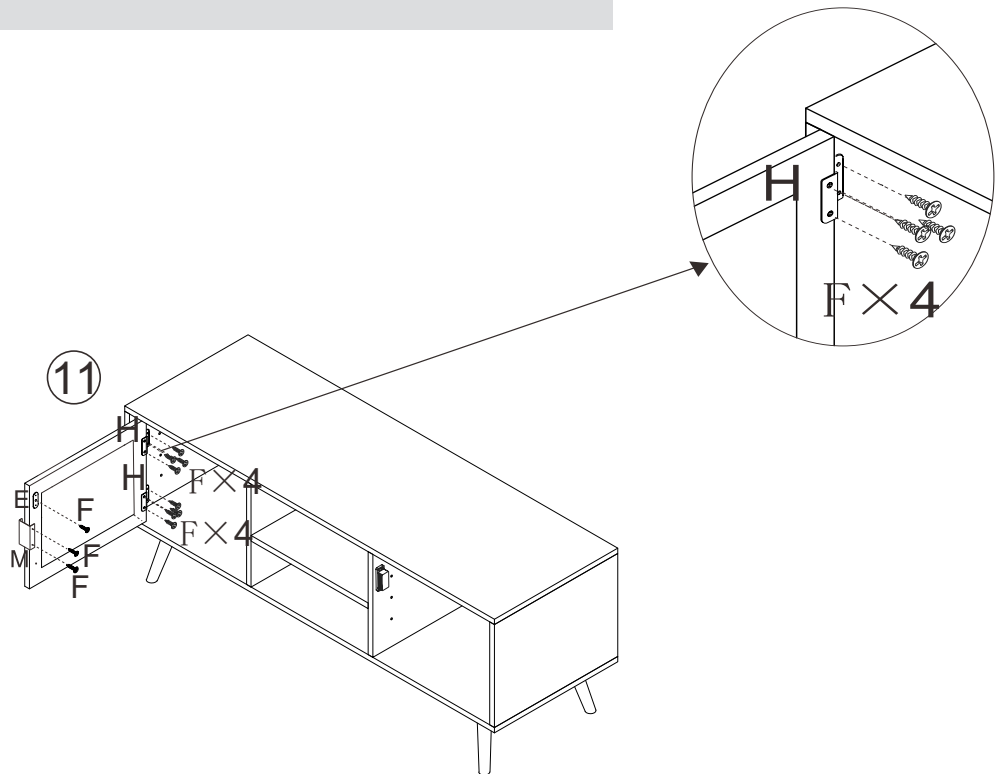
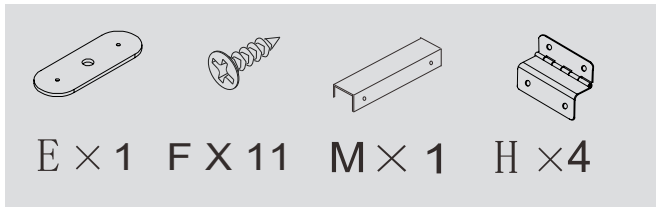




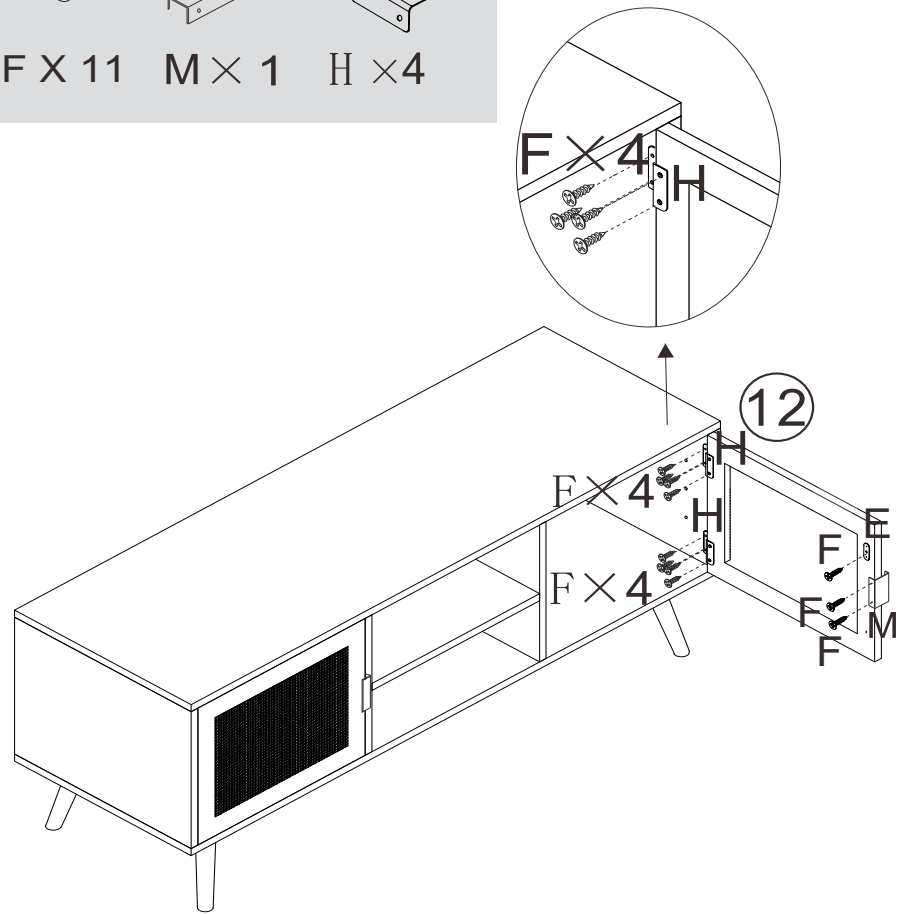
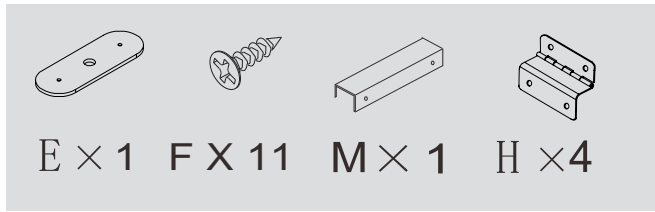
# 11



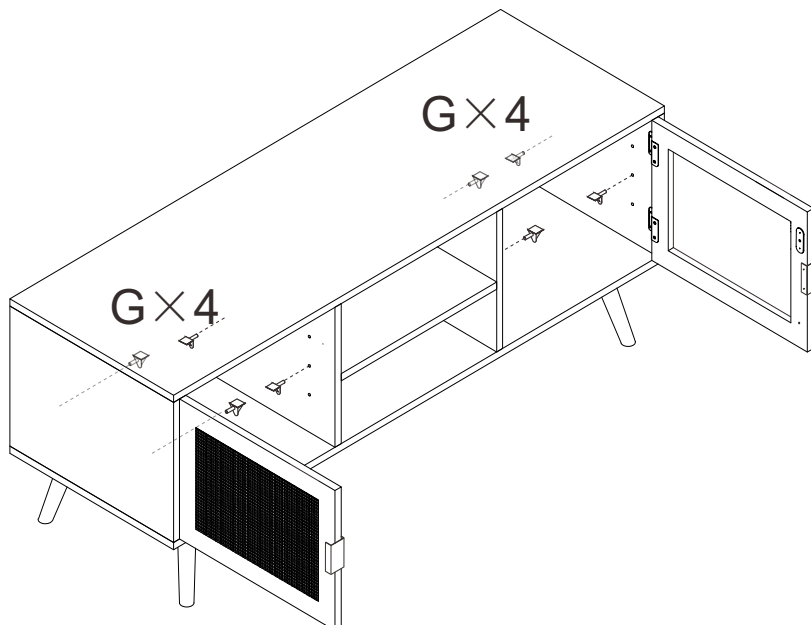
# 12



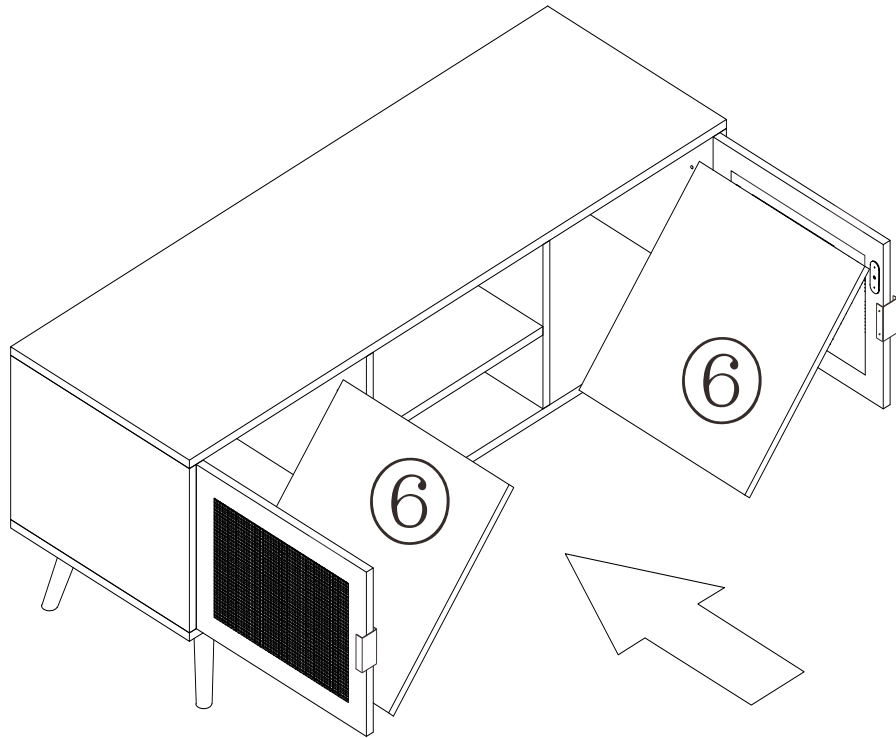
# 13



# 14



# 15



# 16

