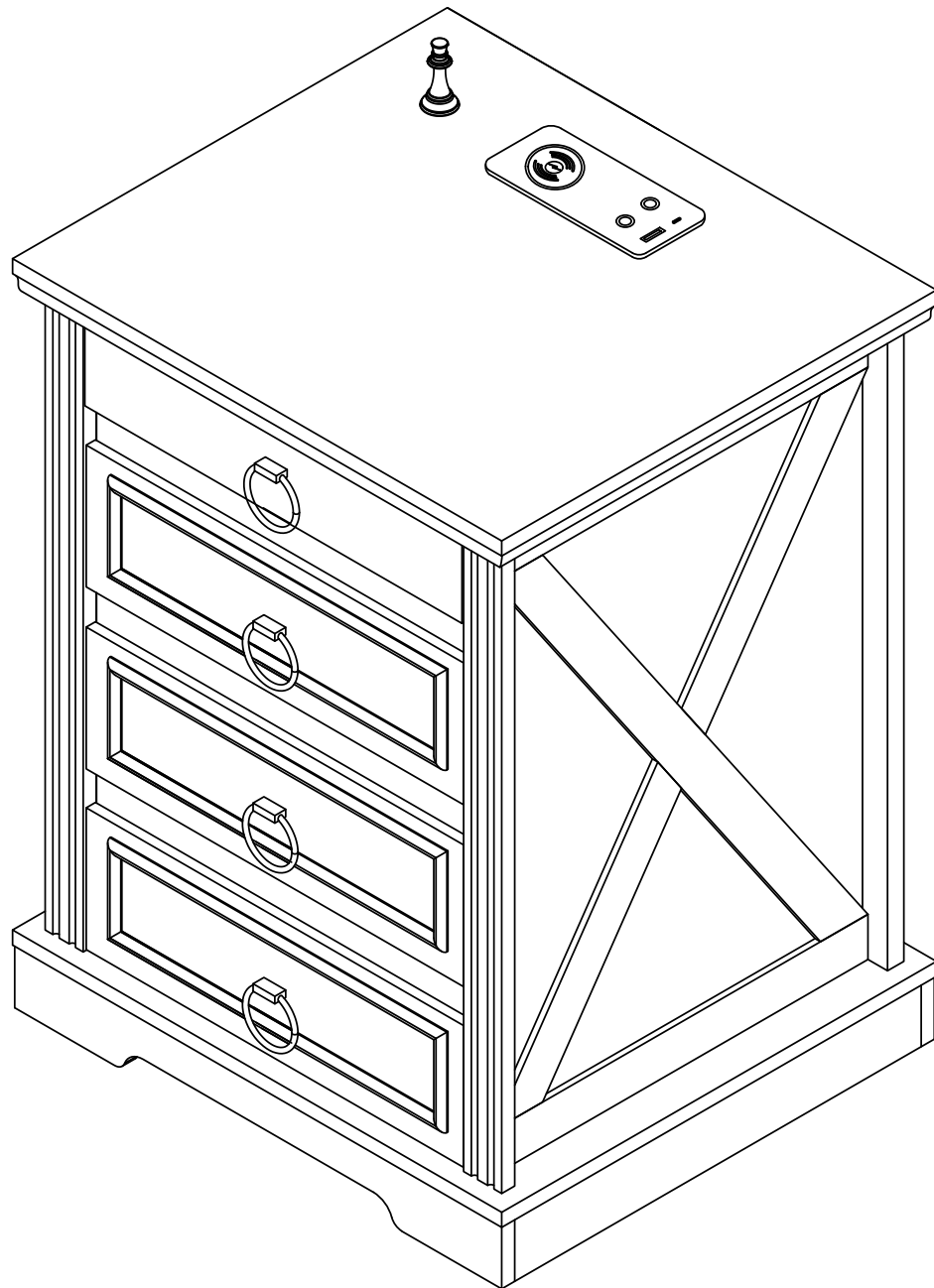
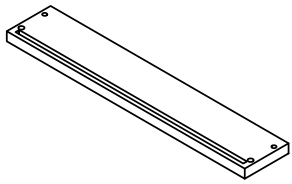
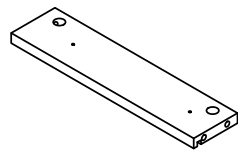


# Installation Instructions

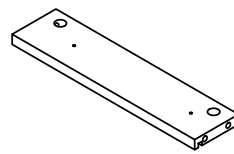




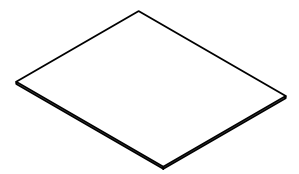
Ax1



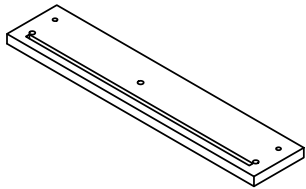
Bx1



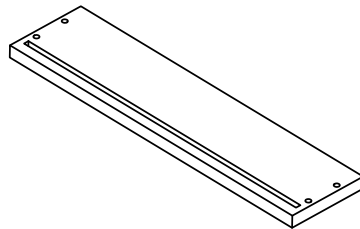
B<sub>1</sub> x1



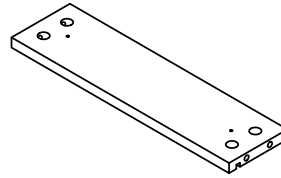
Cx1



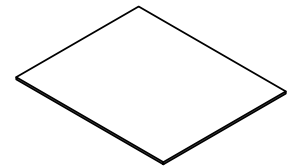
Dx1



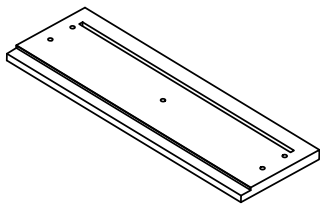
Ex3



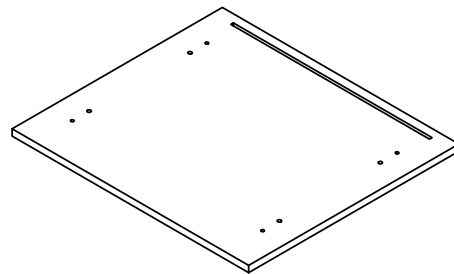
Fx6



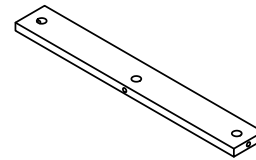
Gx3



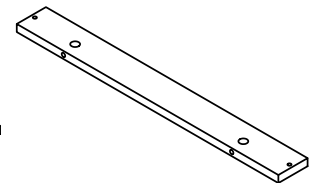
Hx3



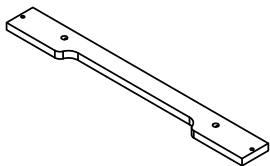
Ix1



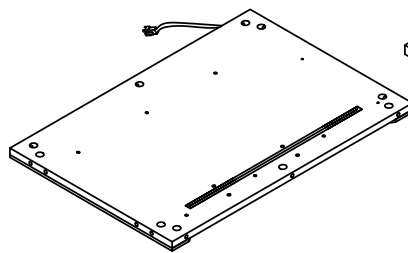
Jx2



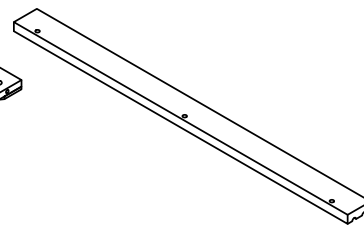
Kx1



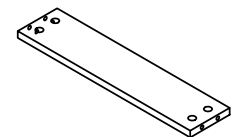
Lx1



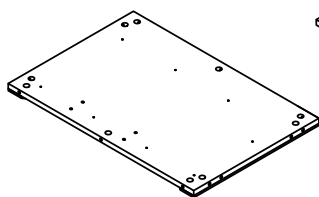
Mx1



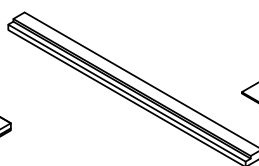
Nx2



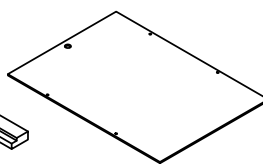
Ox2



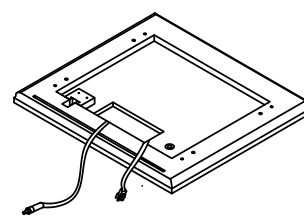
Px1



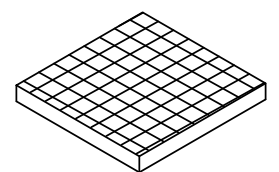
Qx2



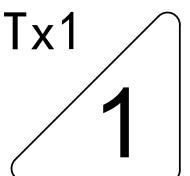
Rx1



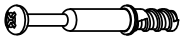

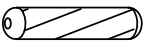
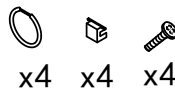
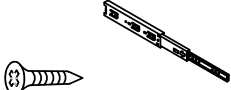
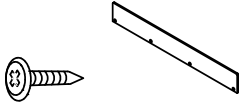
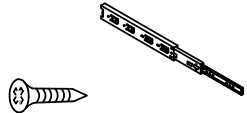


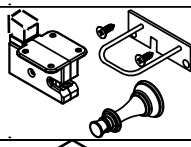
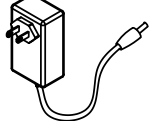
Sx1

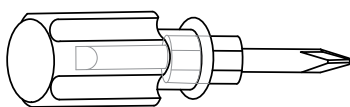


Tx1

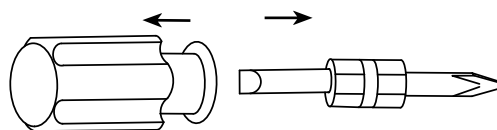


# Accessories list

①		Two In One Screw (6x28mm)	70pcs +2pcs
②		Two In One Nut (10x12mm)	70pcs +2pcs
③		Wood Chipping (6x30mm)	8pcs +2pcs
④	 x4 x4 x4	Pull loop handle (4x16mm)	4pcs
⑤		Screw & Guide (3x12mm)	10pcs +2pcs / 2pcs
⑥		Acrylic & Screw (3x10mm)	12pcs +2pcs / 3pcs
⑦		Screw & Guide (3x12mm)	30pcs +2pcs / 6pcs
⑧		Non-slip pads	4pcs
⑨		Round head screw (3x16mm)	4pcs +1pcs
⑩		concealed lock & Screw (3x12mm)	1pcs / 6pcs
		AC/DC Adapter (12V=3.0A)	1pcs



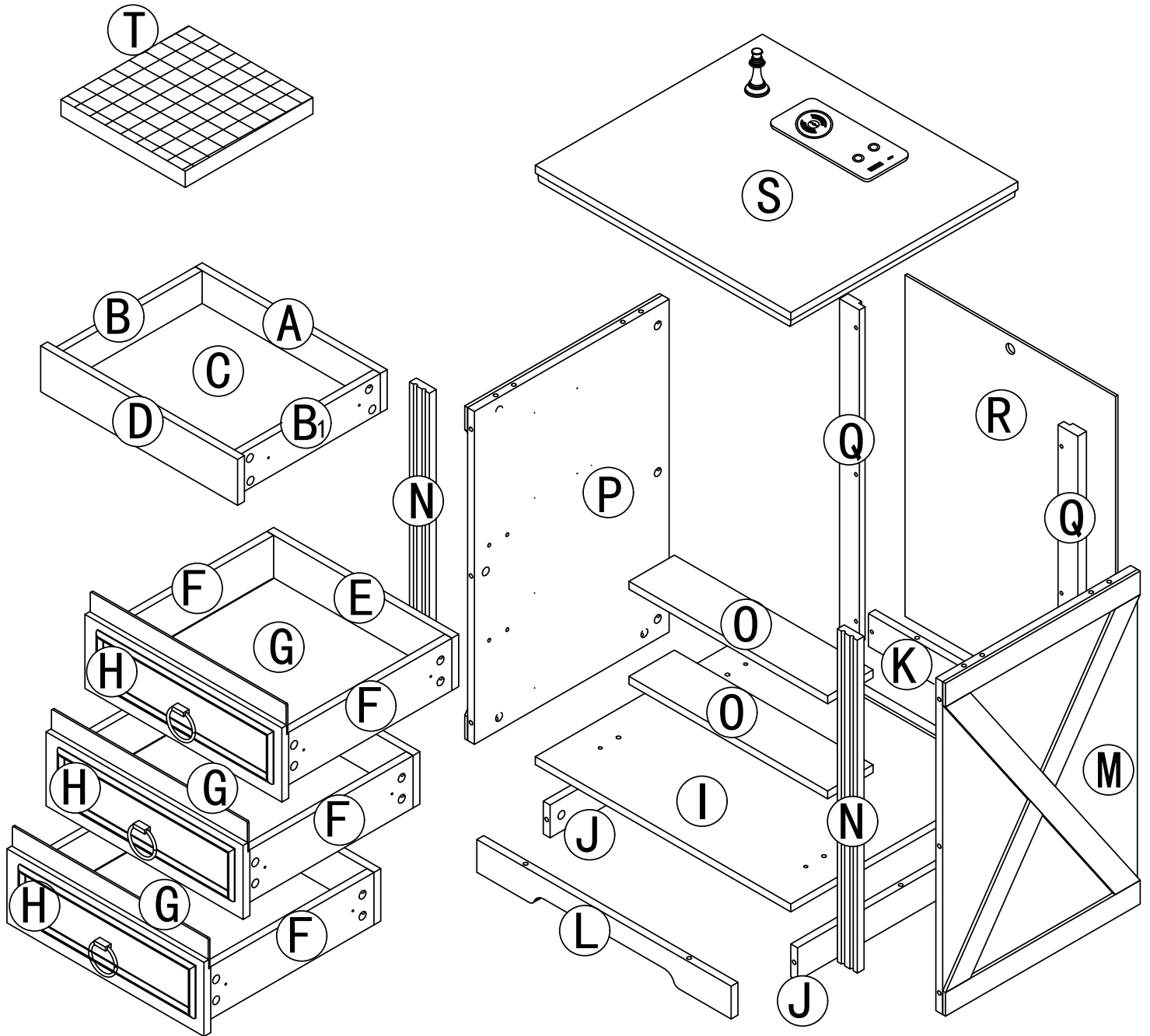
1pcs

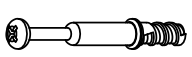




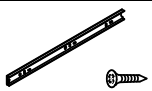
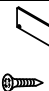
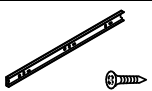
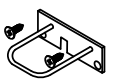


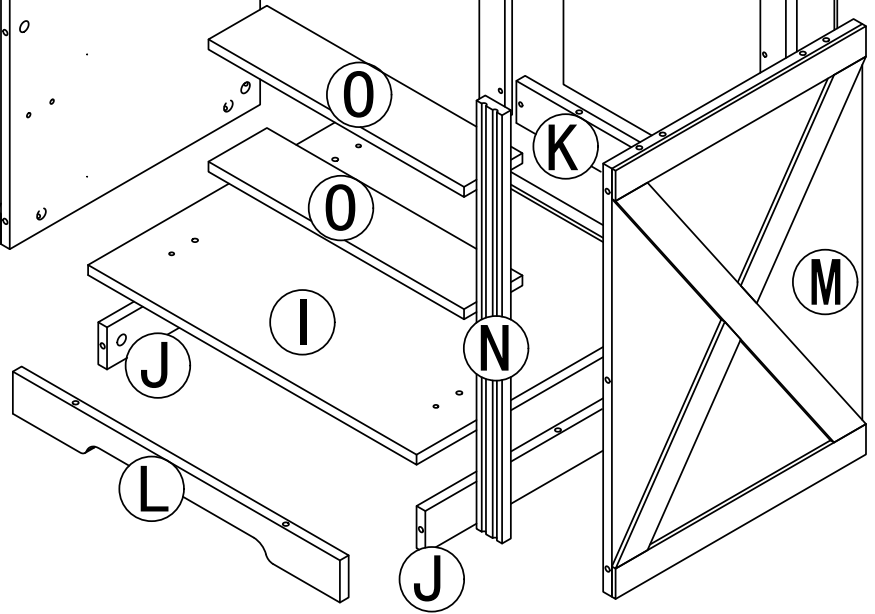
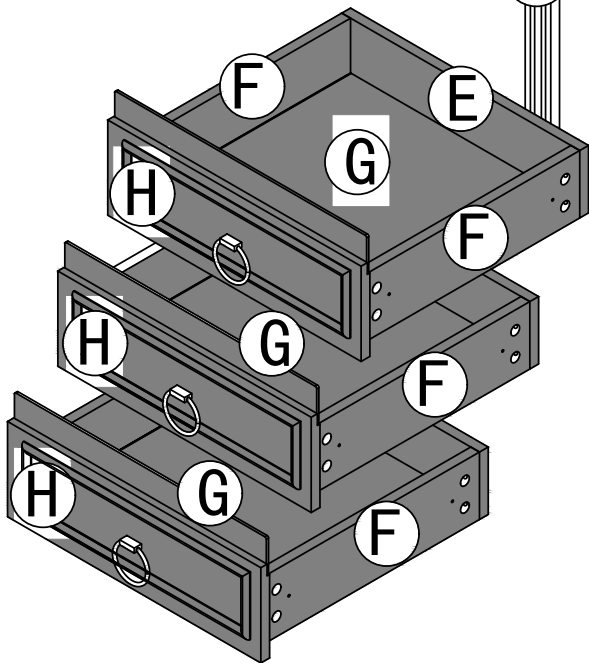
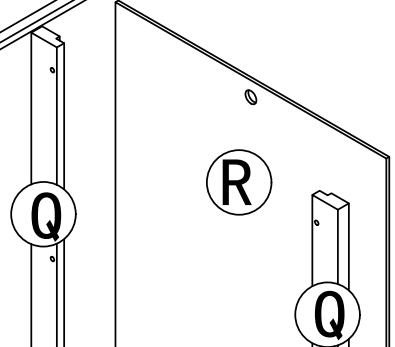
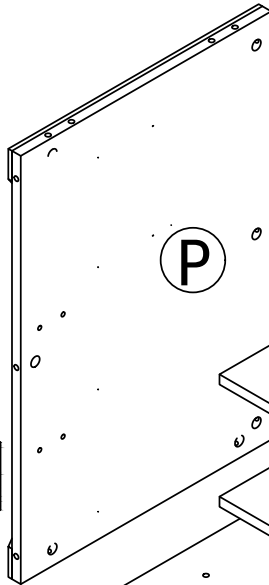
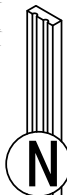
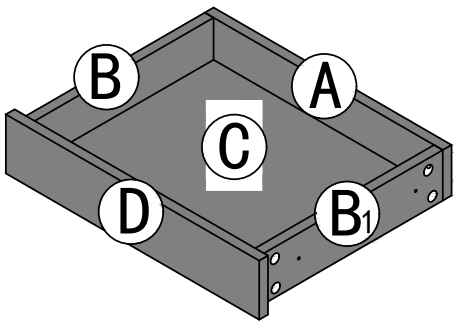
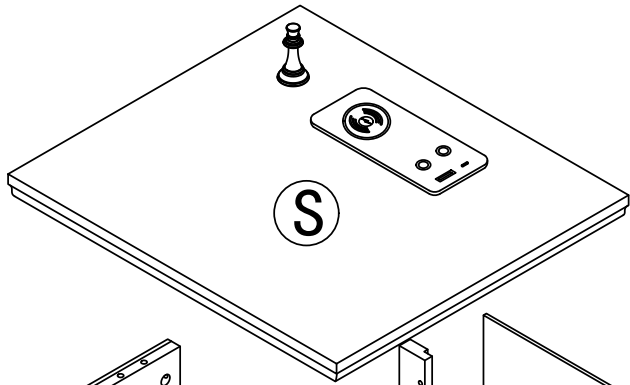
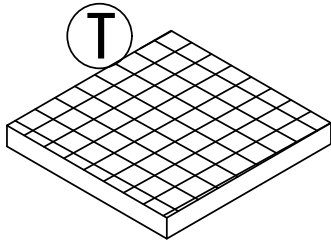
Double-head screwdriver, use as required

2

# Product structure decomposition

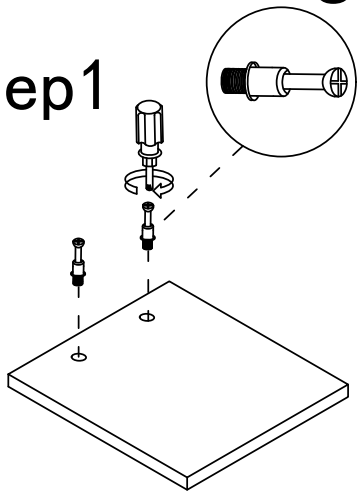


①		28pcs	②		28pcs	④	  	4pcs
⑤		2pcs 4pcs	⑥		3pcs 12pcs	⑦		6pcs 12pcs
⑩		2pcs 1pcs						

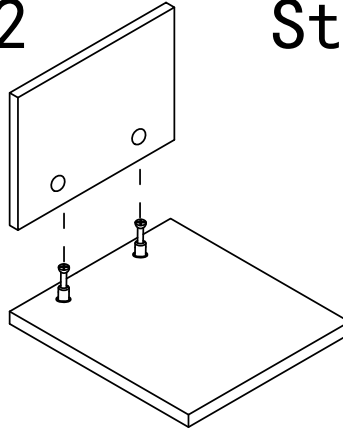


# Use parts ① and ②

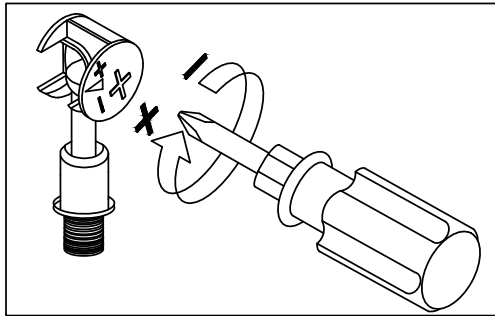
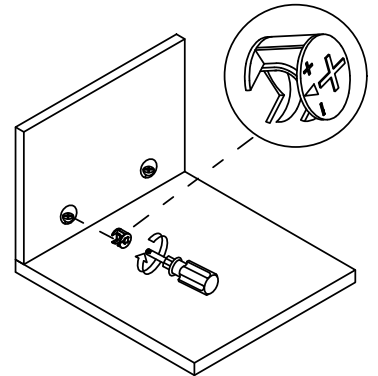
Step1



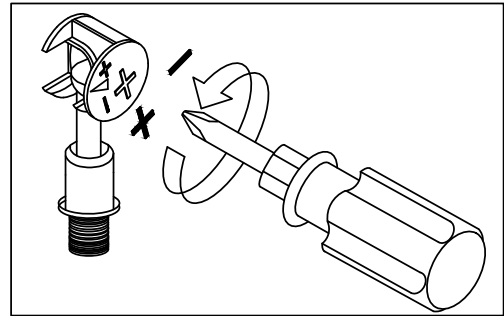
Step2



Step3

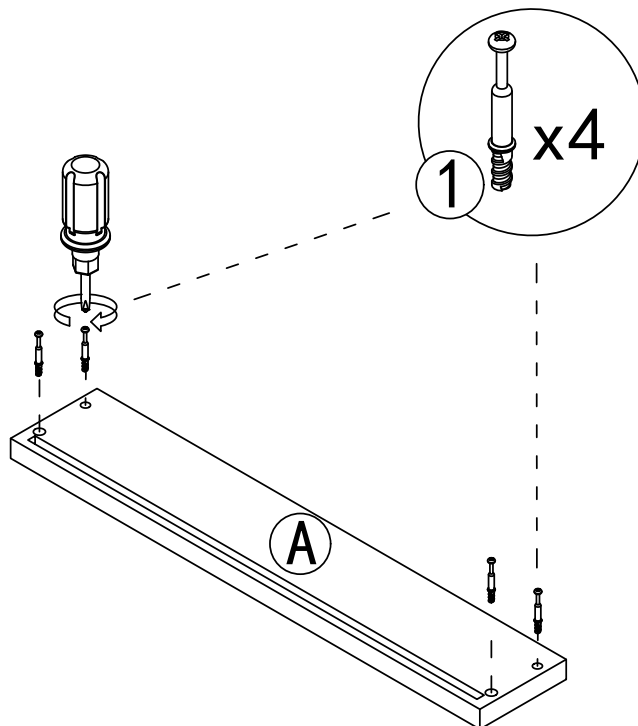
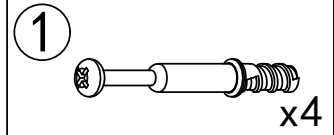


Use a screwdriver to lock in the direction of the "+" sign

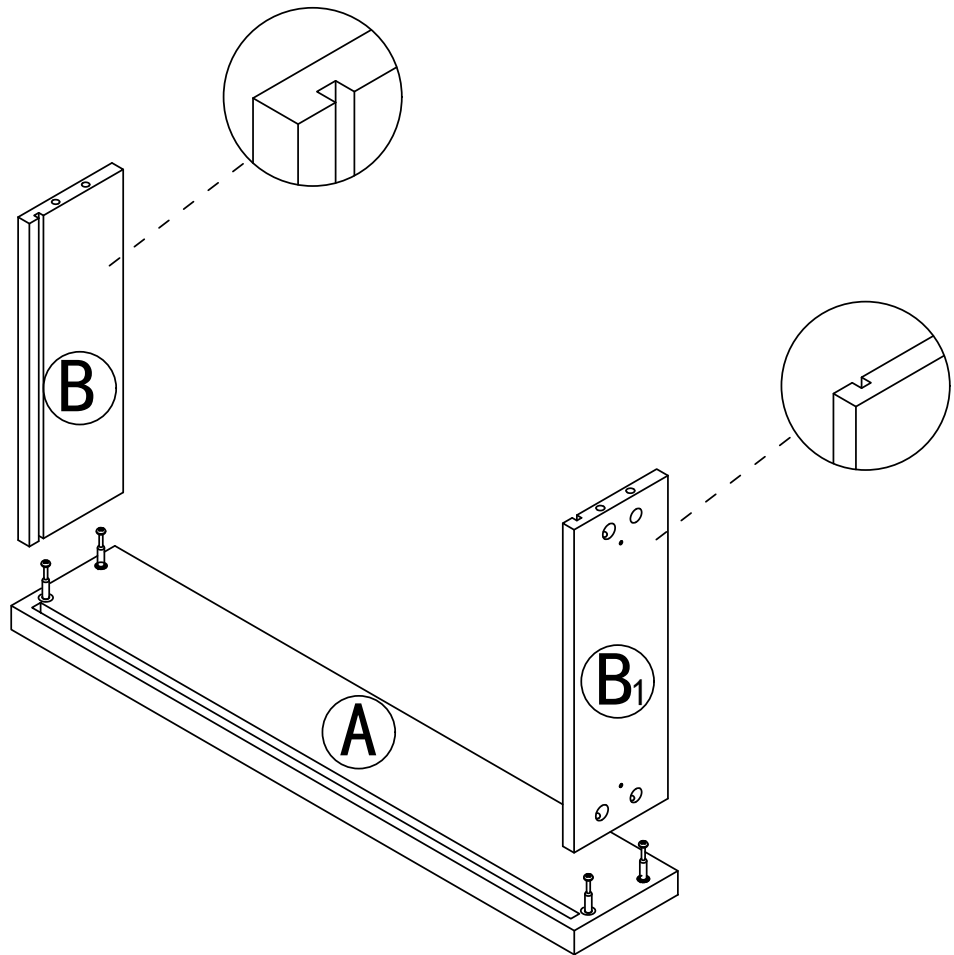


Disassemble along the direction of "-" sign

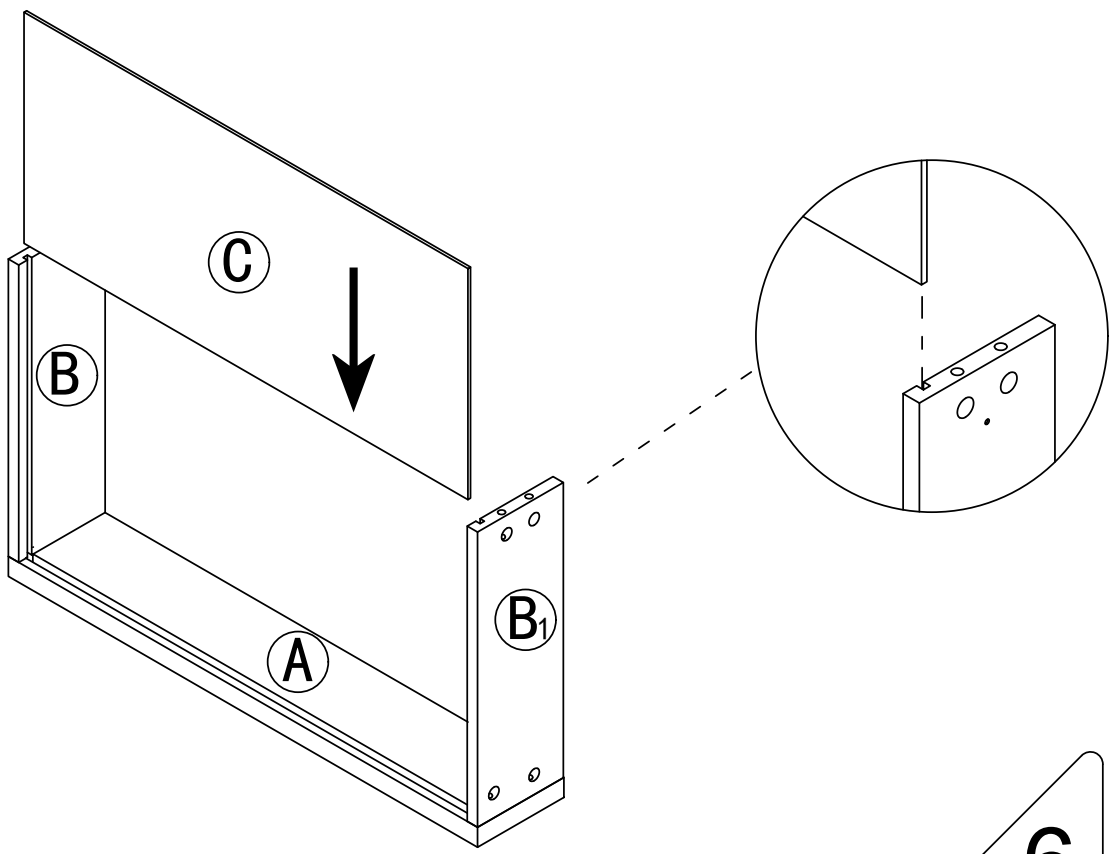
Step 1



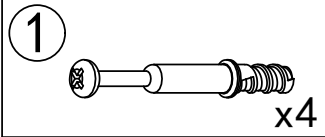
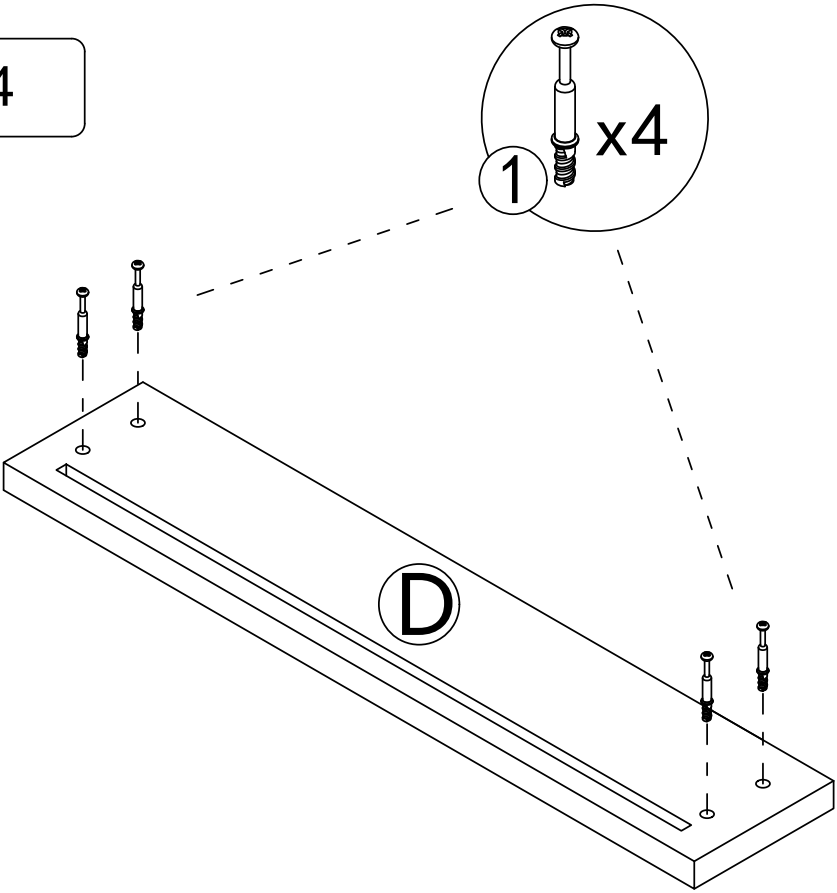
Step 2



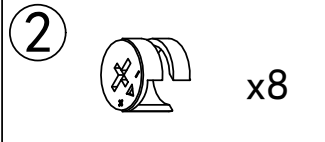
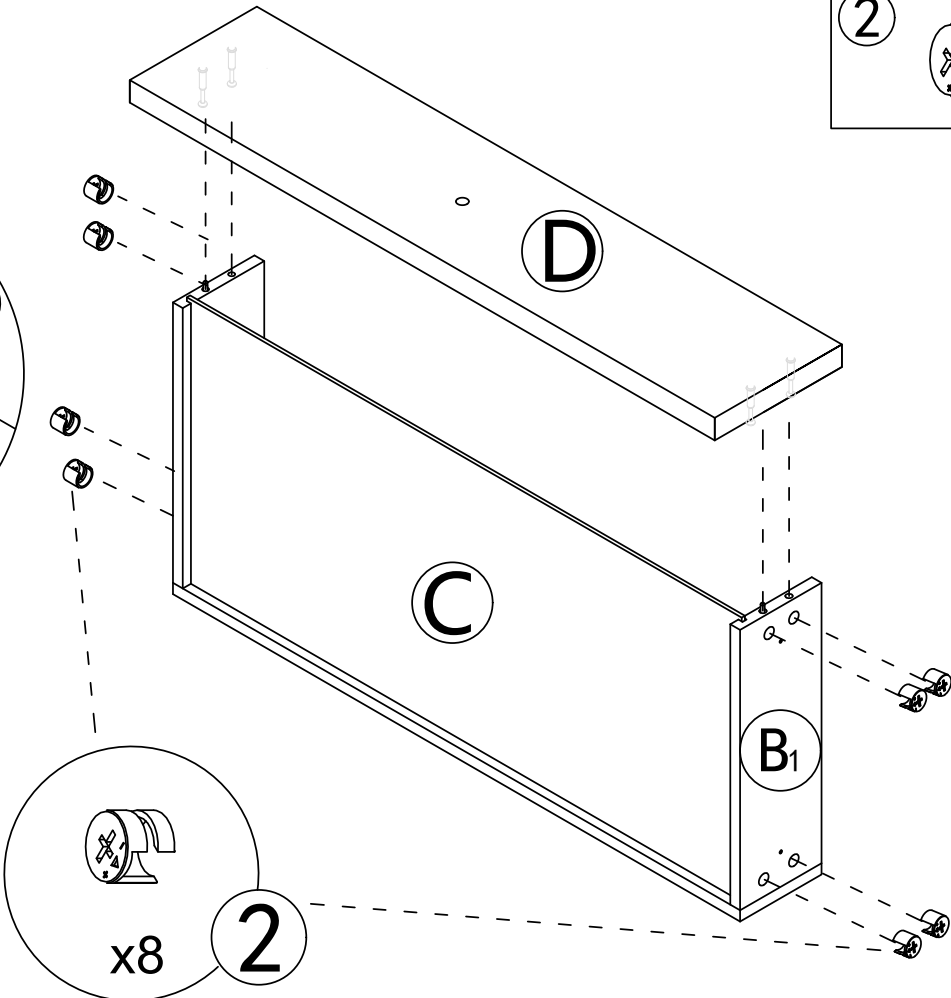
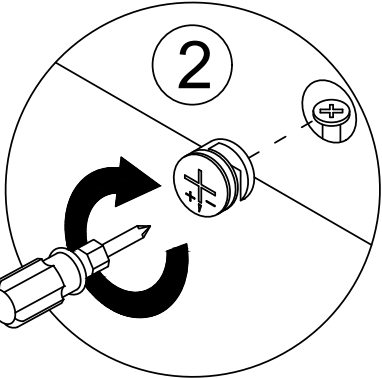
Step 3



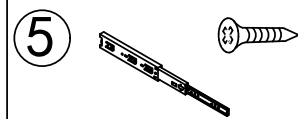
Step 4



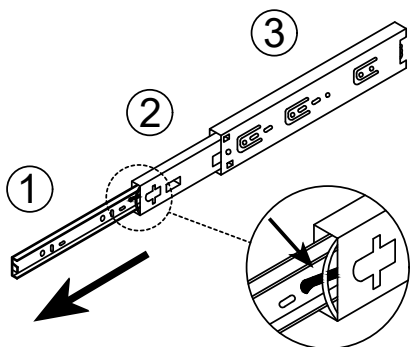
Step 5



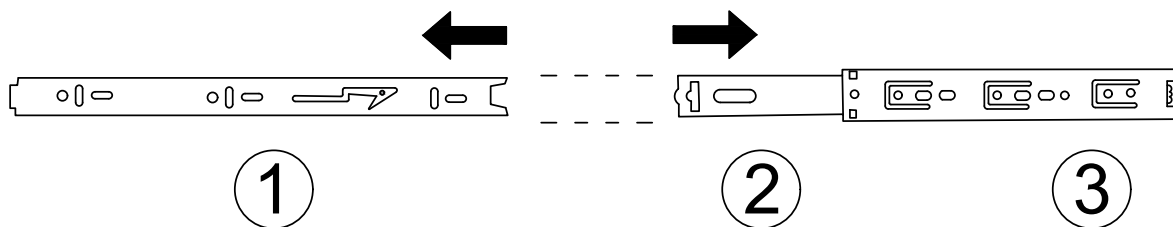
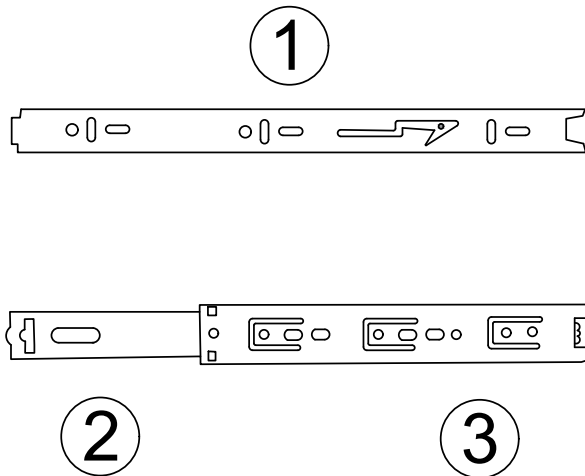
Exploded view of drawer guide rail



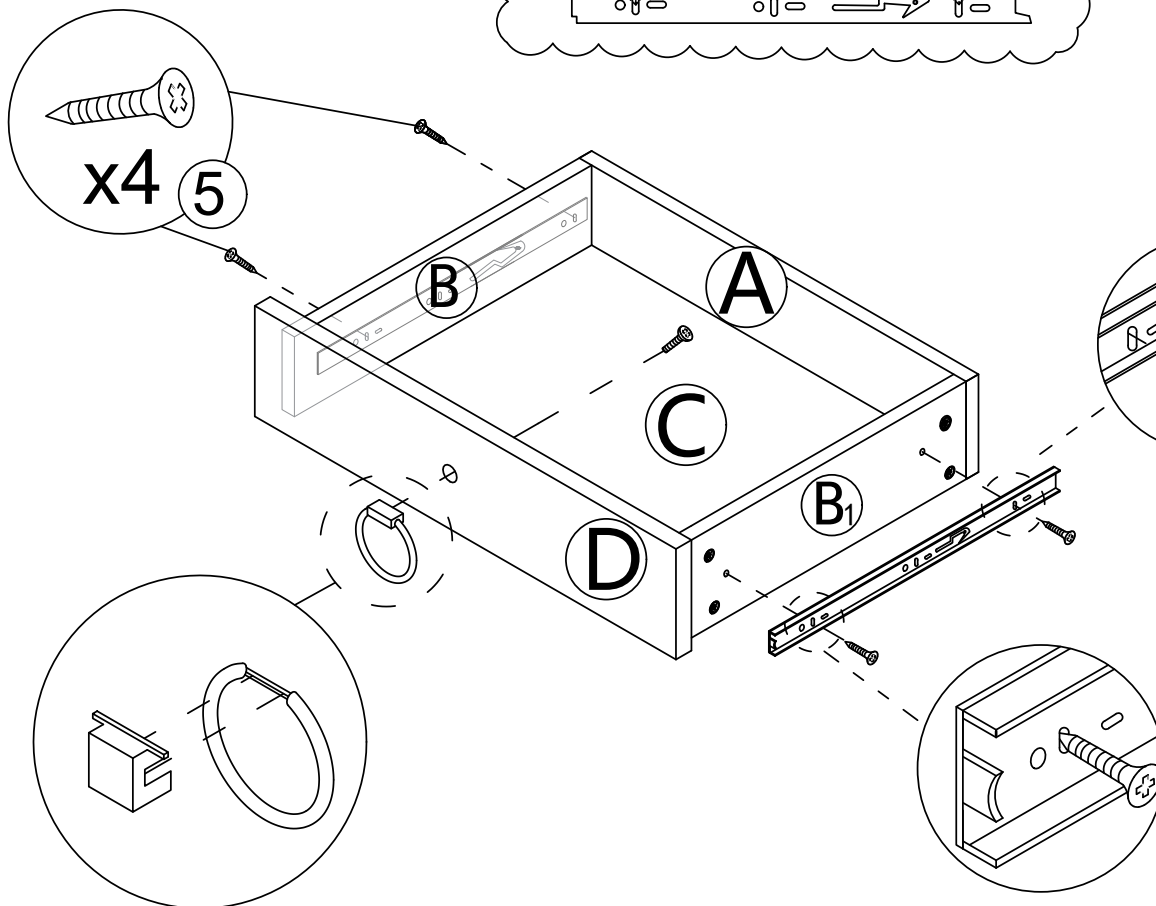
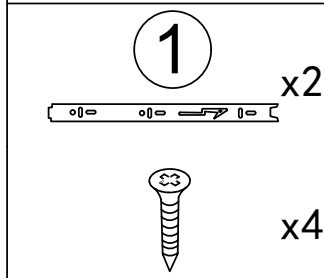
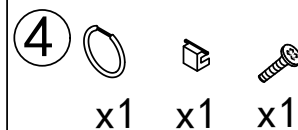
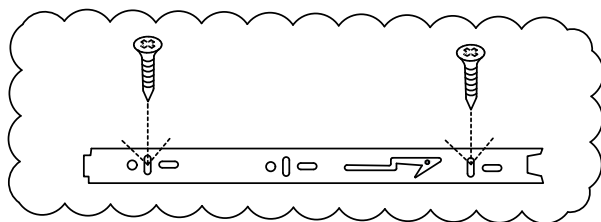
Short



Step 1 : Pull the guide rail apart  
 Step 2 : Push the nylon buckle and pull outward ①

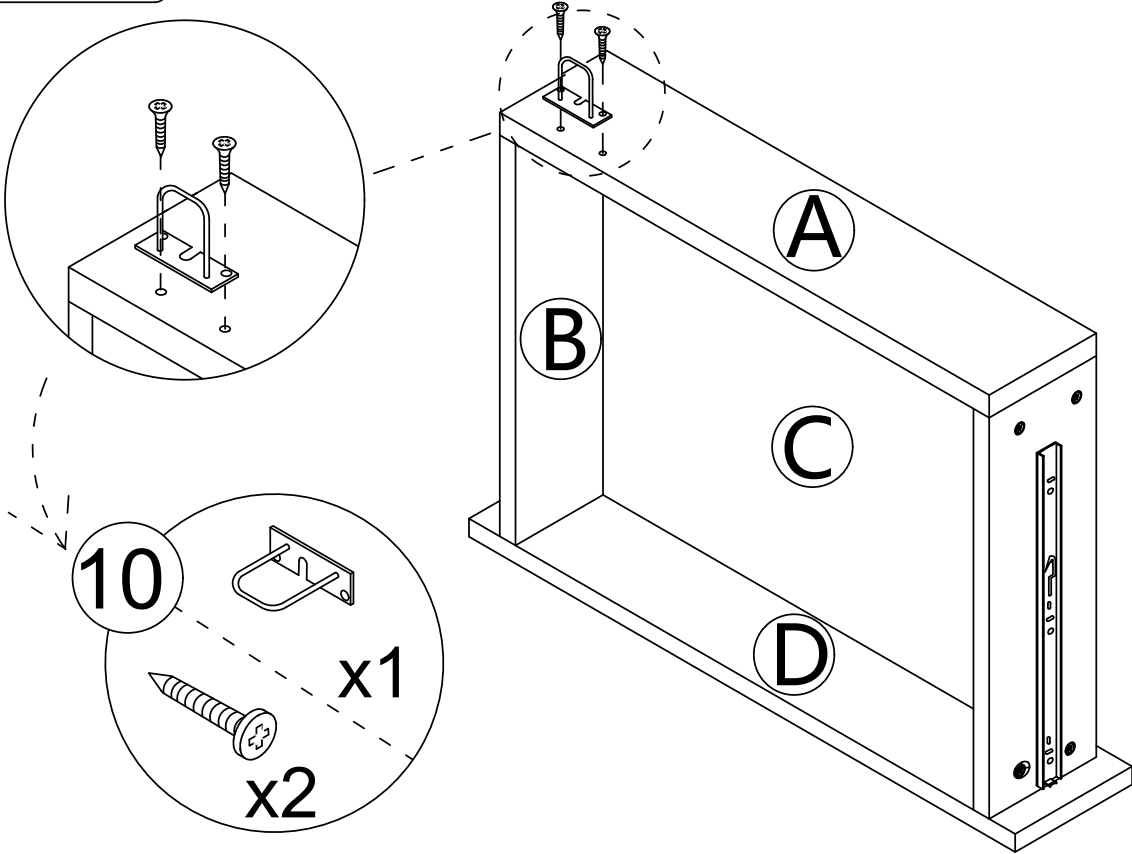
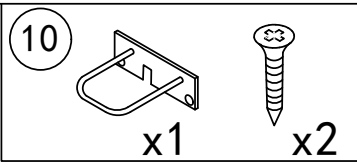


Step 6

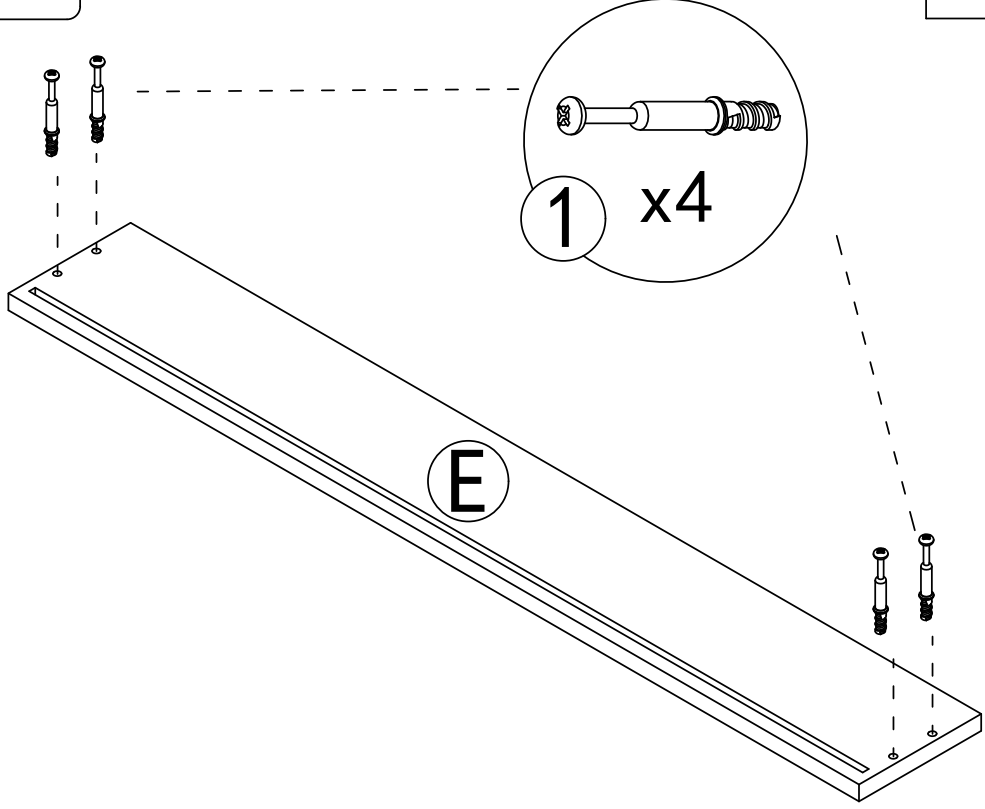
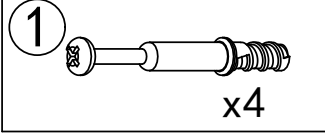


Step 7

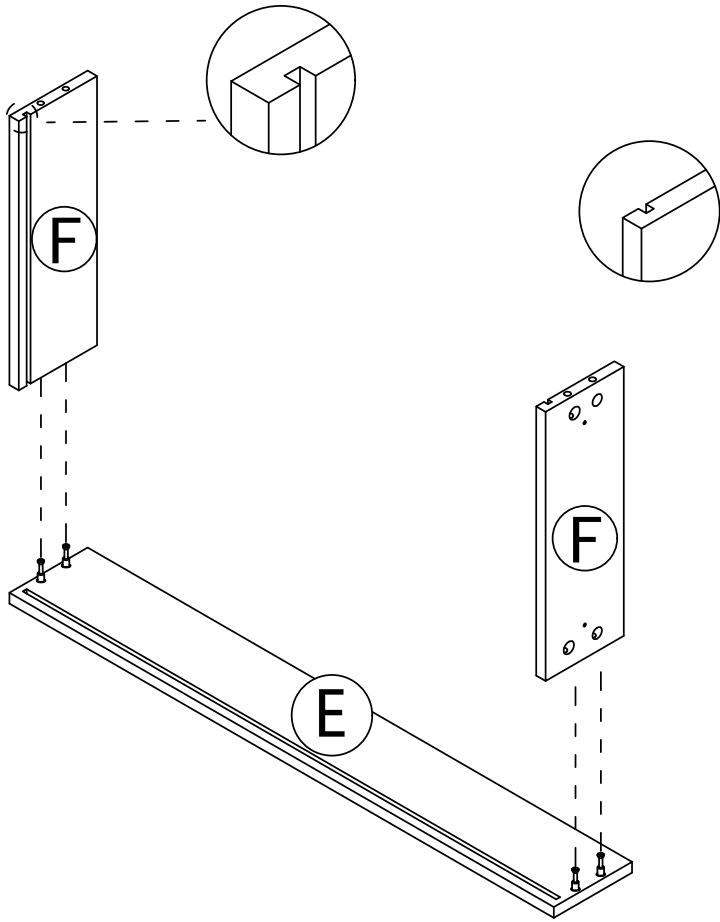
The direction of the snap fastener notch faces towards the bottom



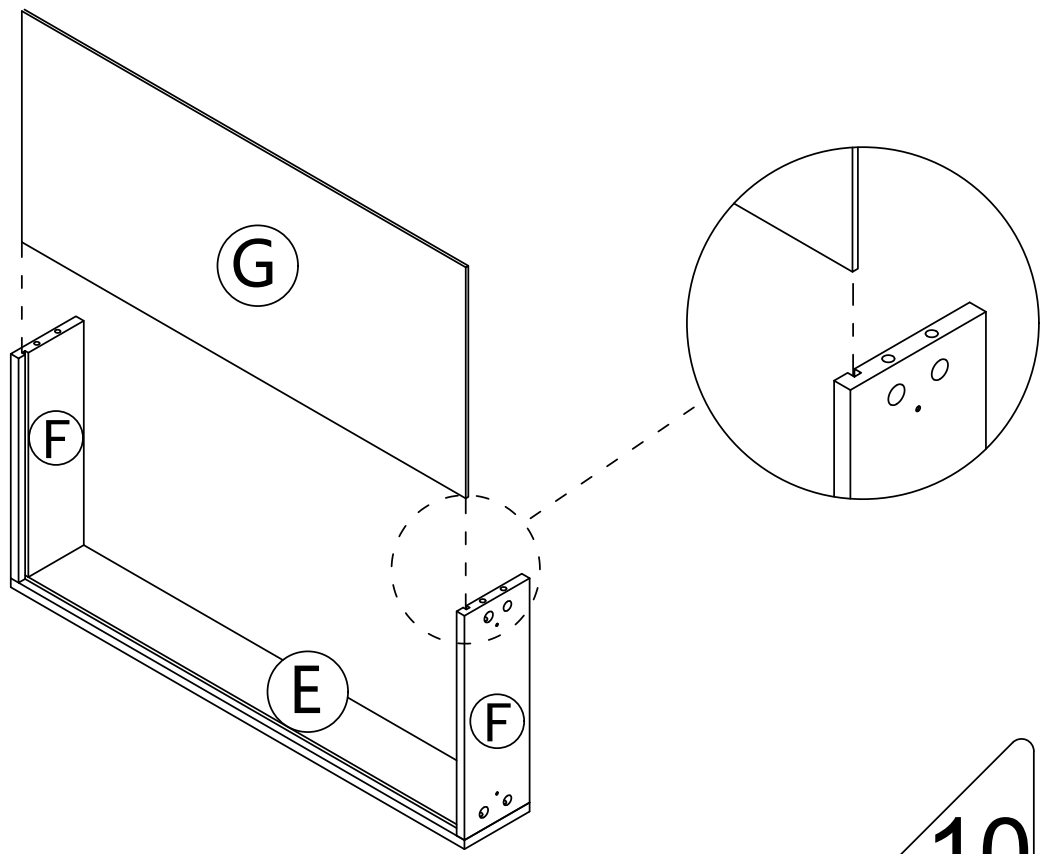
Step 8



Step 9



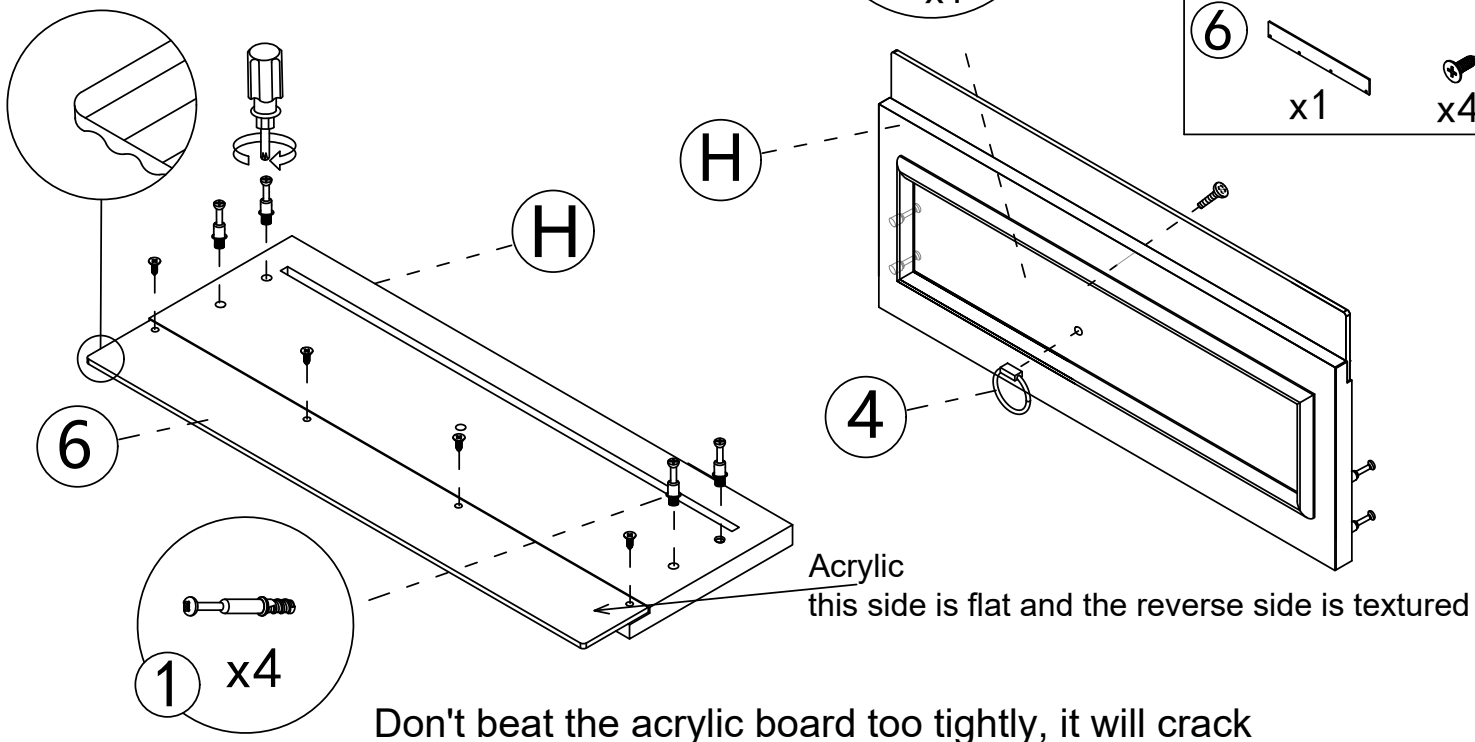
Step 10



# Step 11

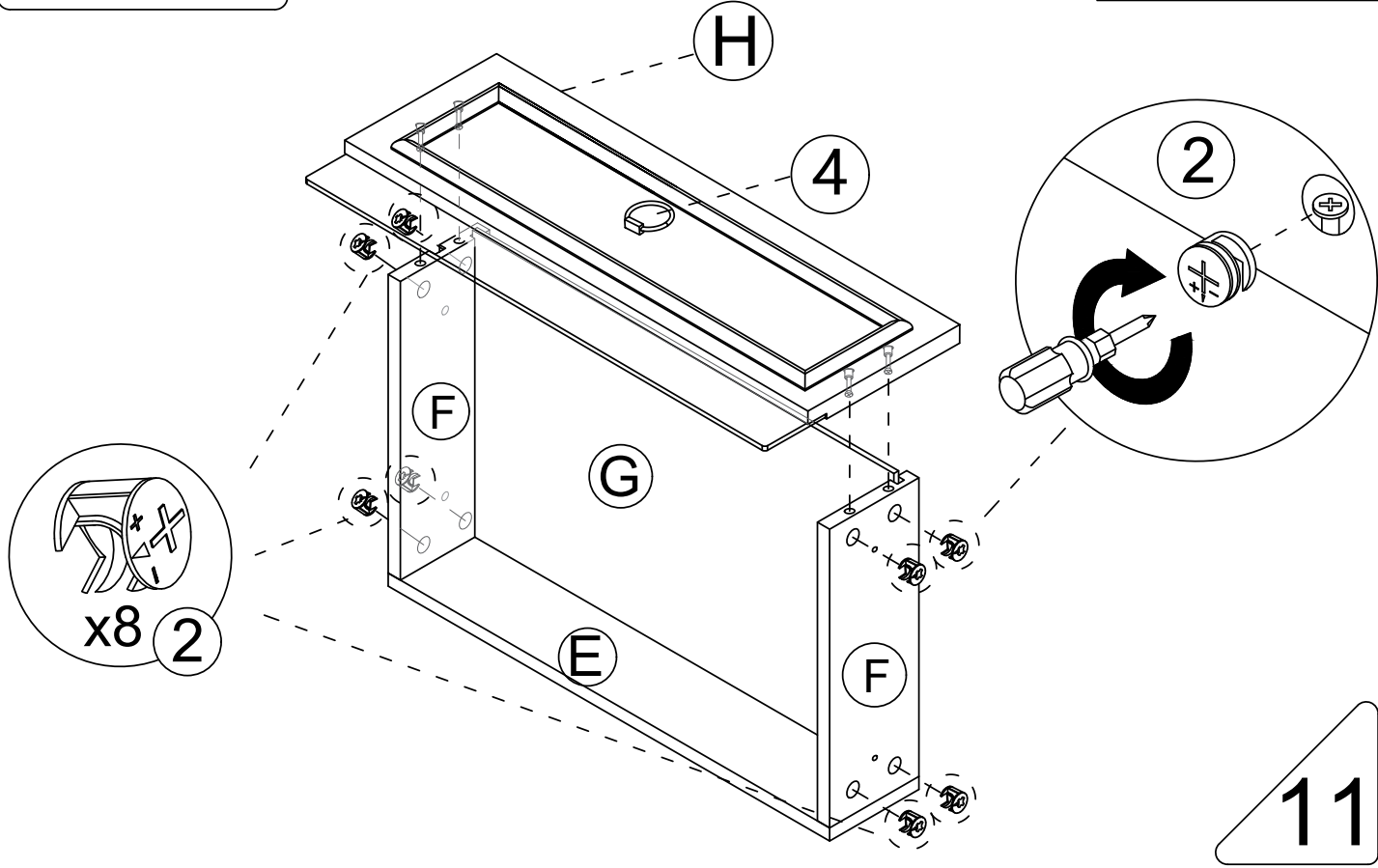
pay attention to

- 1 x4
- 4 x1, 4 x1, 4 x1
- 6 x1, 6 x4



# Step 12

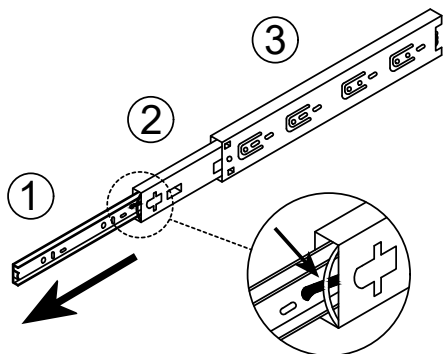
- 2 x8



# Drawer rail breakdown diagram



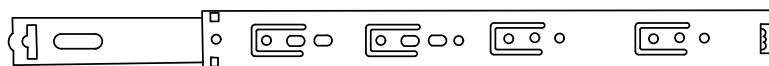
Long



Step 1 : Pull the rails apart

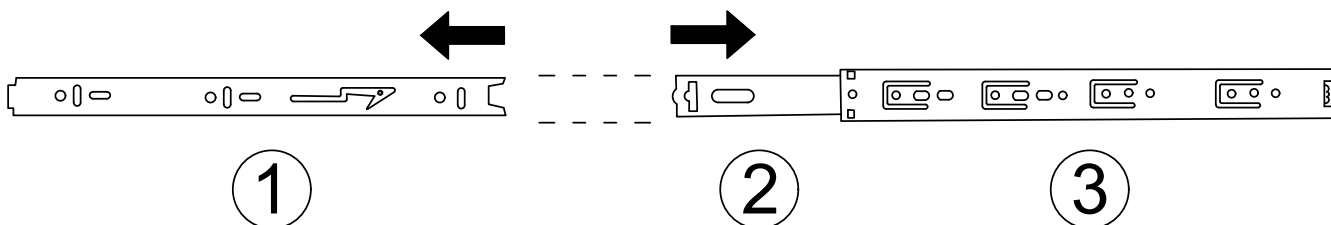
Step 2 : Push the nylon buckle outward ①

①

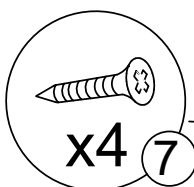


②

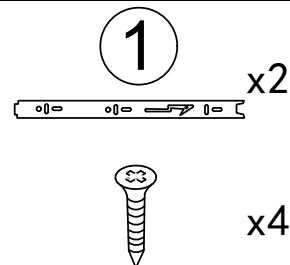
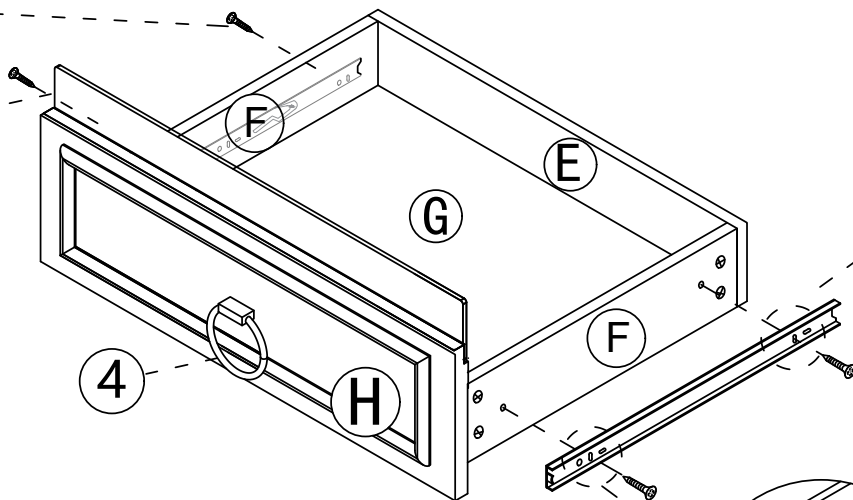
③

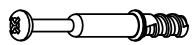



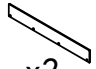

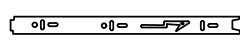



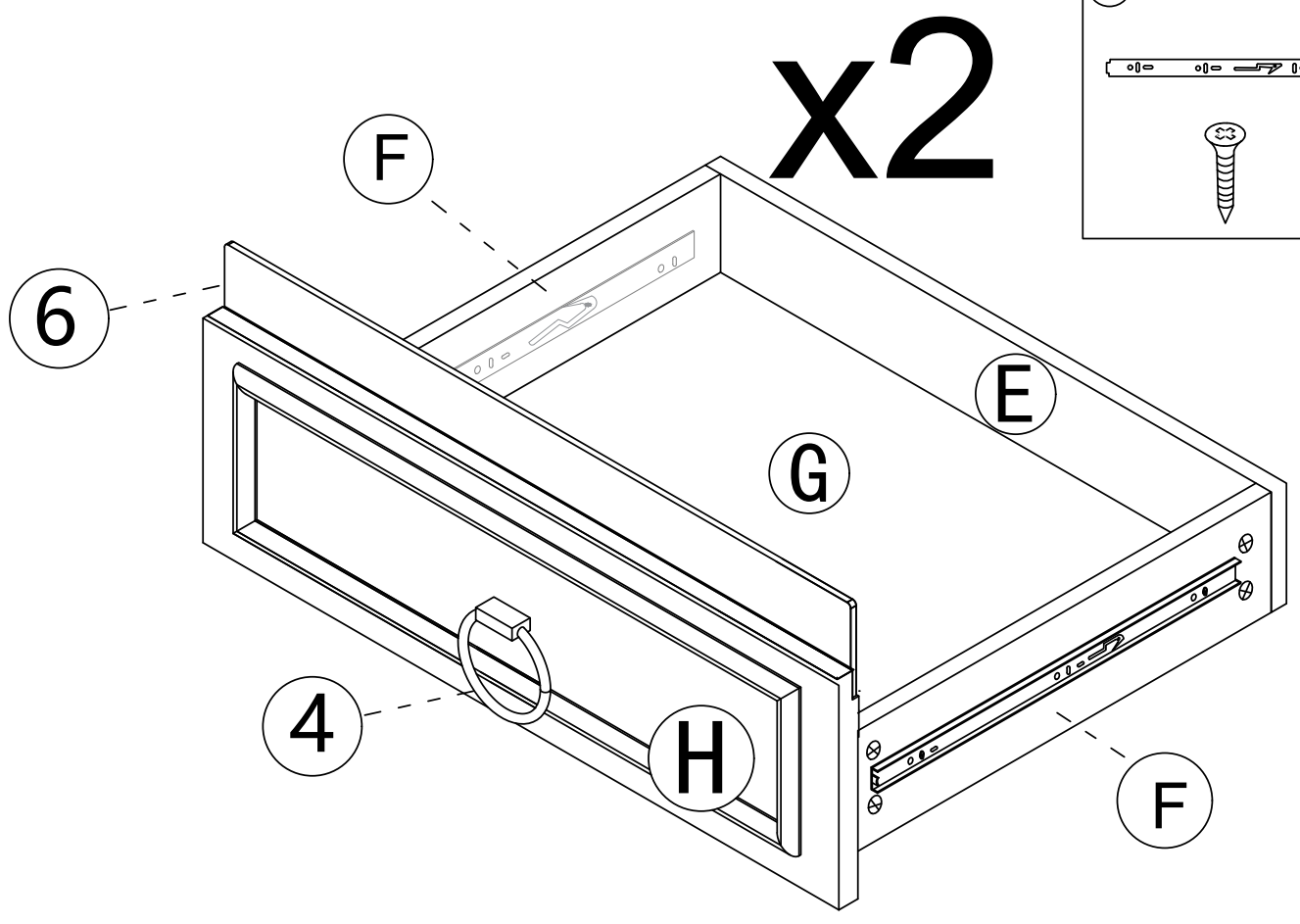
## Step 13



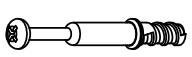

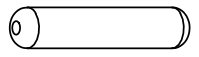
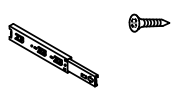
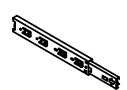

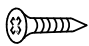

⑥

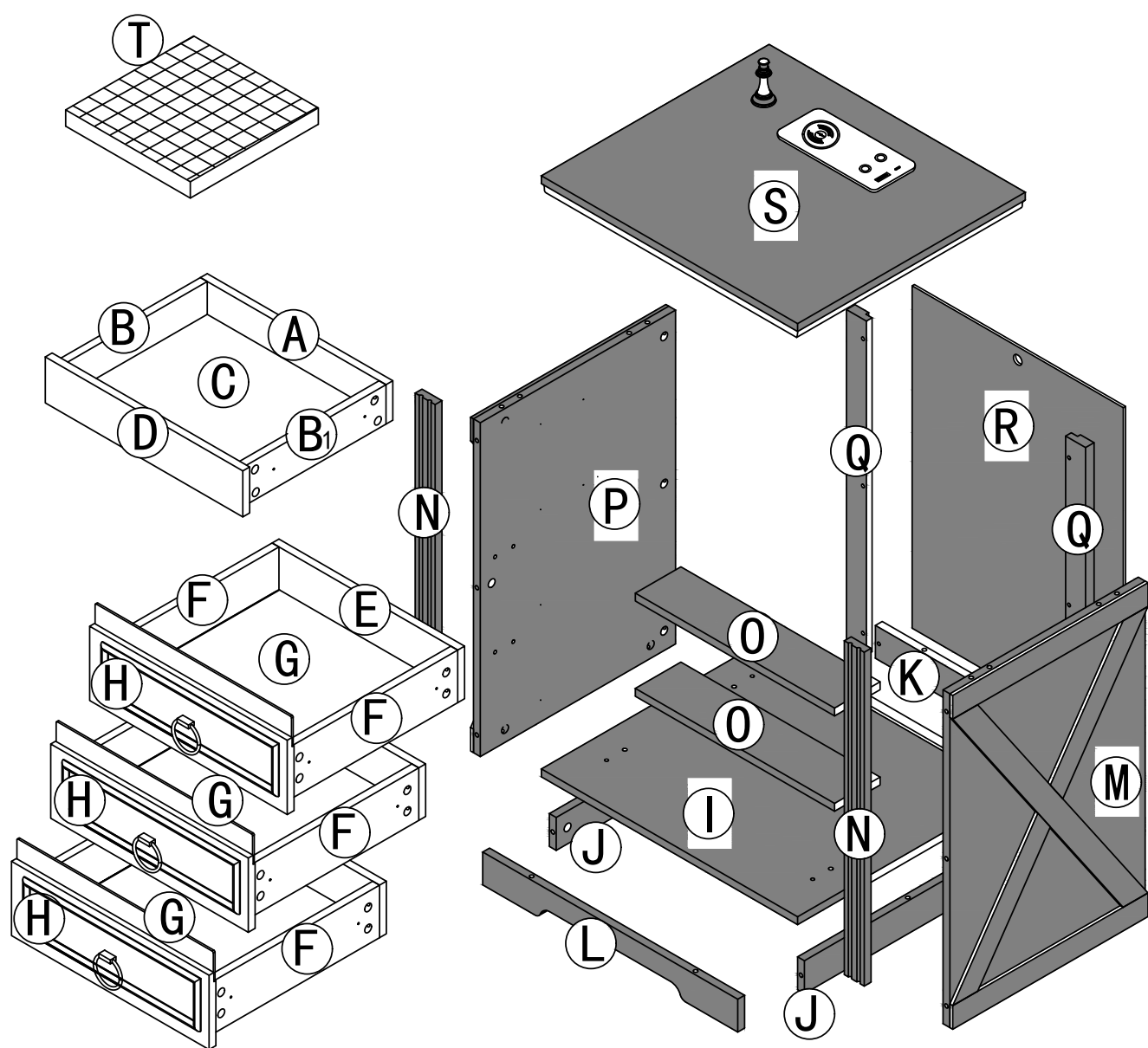


①		x16
②		x16
④	 	x2 x2
⑥		x2  x8
⑦		x4
		x8

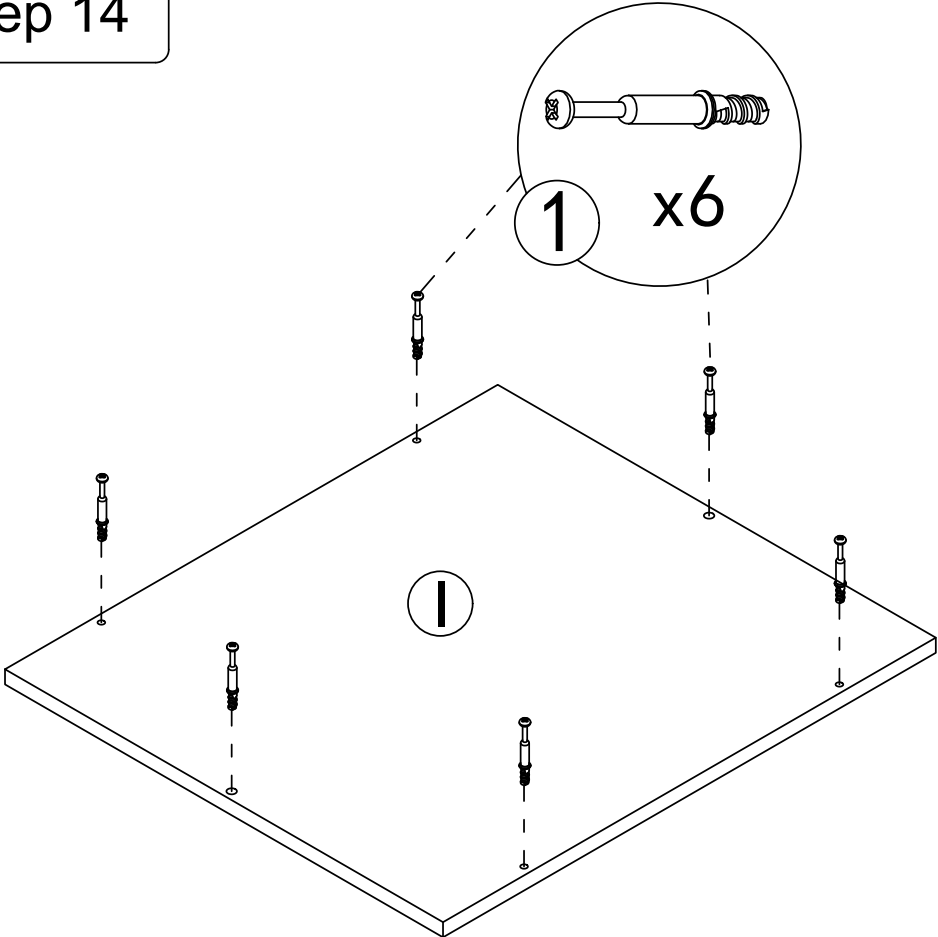
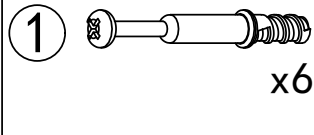


Install the other two drawers using the same method

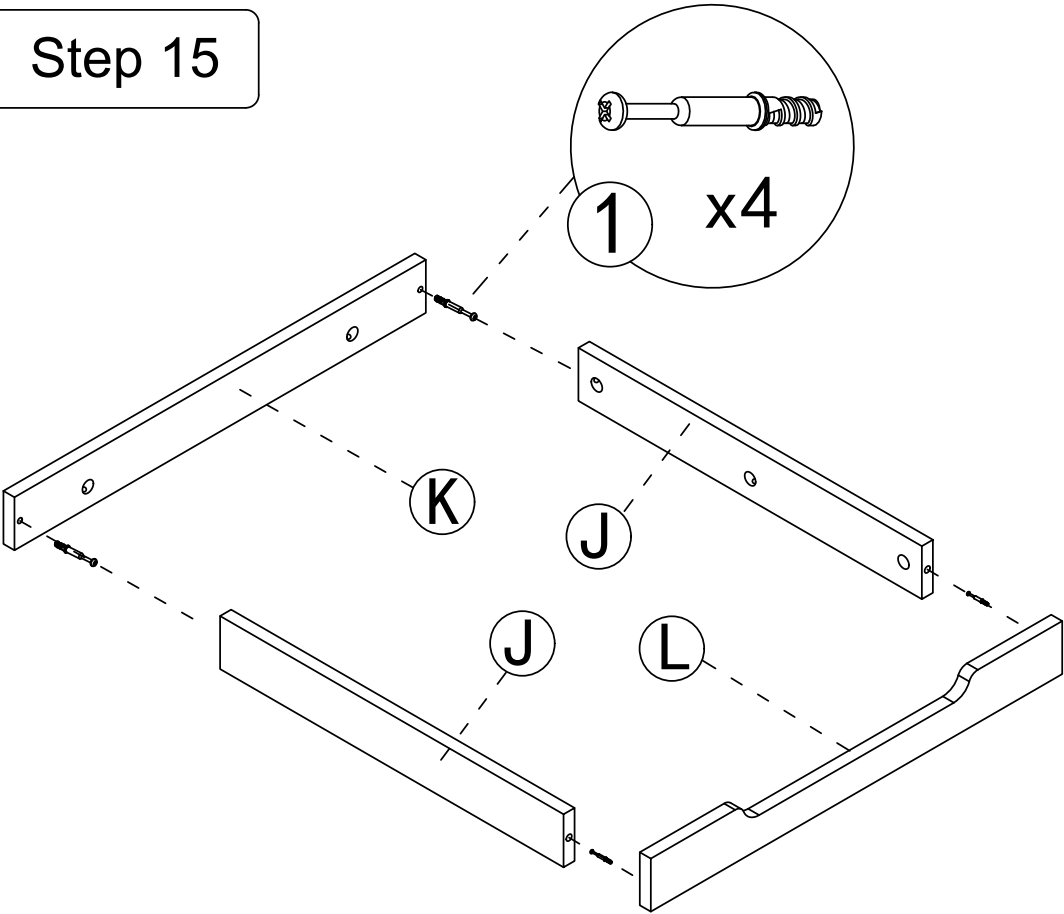
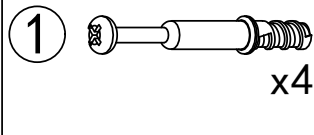
①		38pcs	②		38pcs	③		8pcs
⑤		4pcs 2pcs	⑦		12pcs 6pcs	⑧		4pcs
⑨		4pcs	⑩		4pcs 1pcs			



Step 14



Step 15

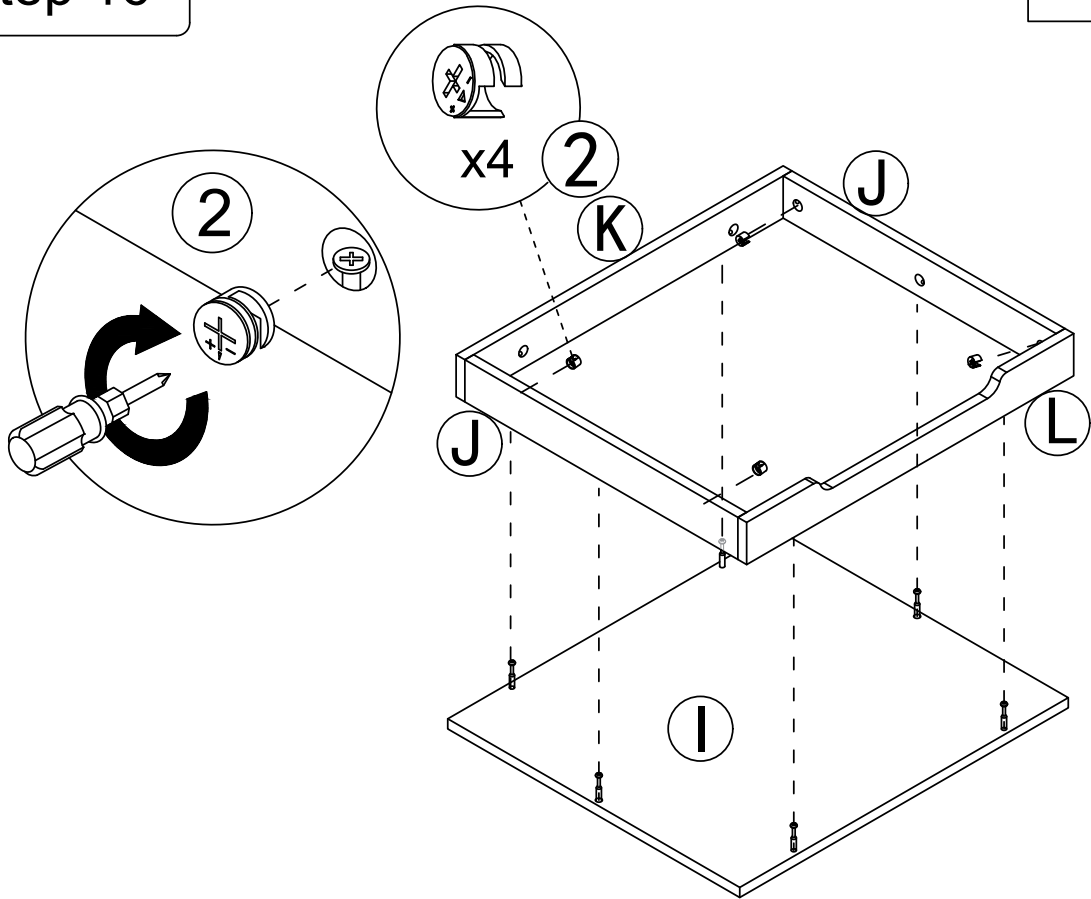


# Step 16

2



x4



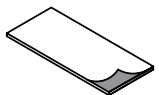
# Step 17

2



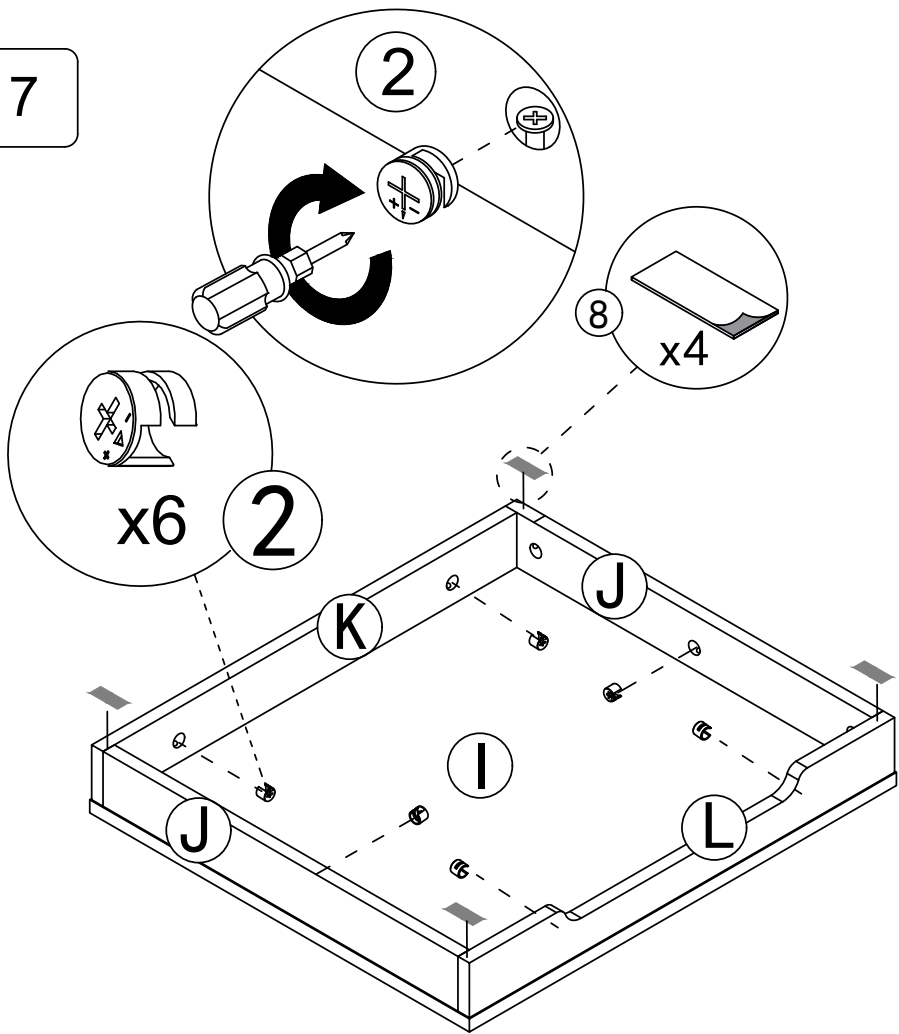
x6

8

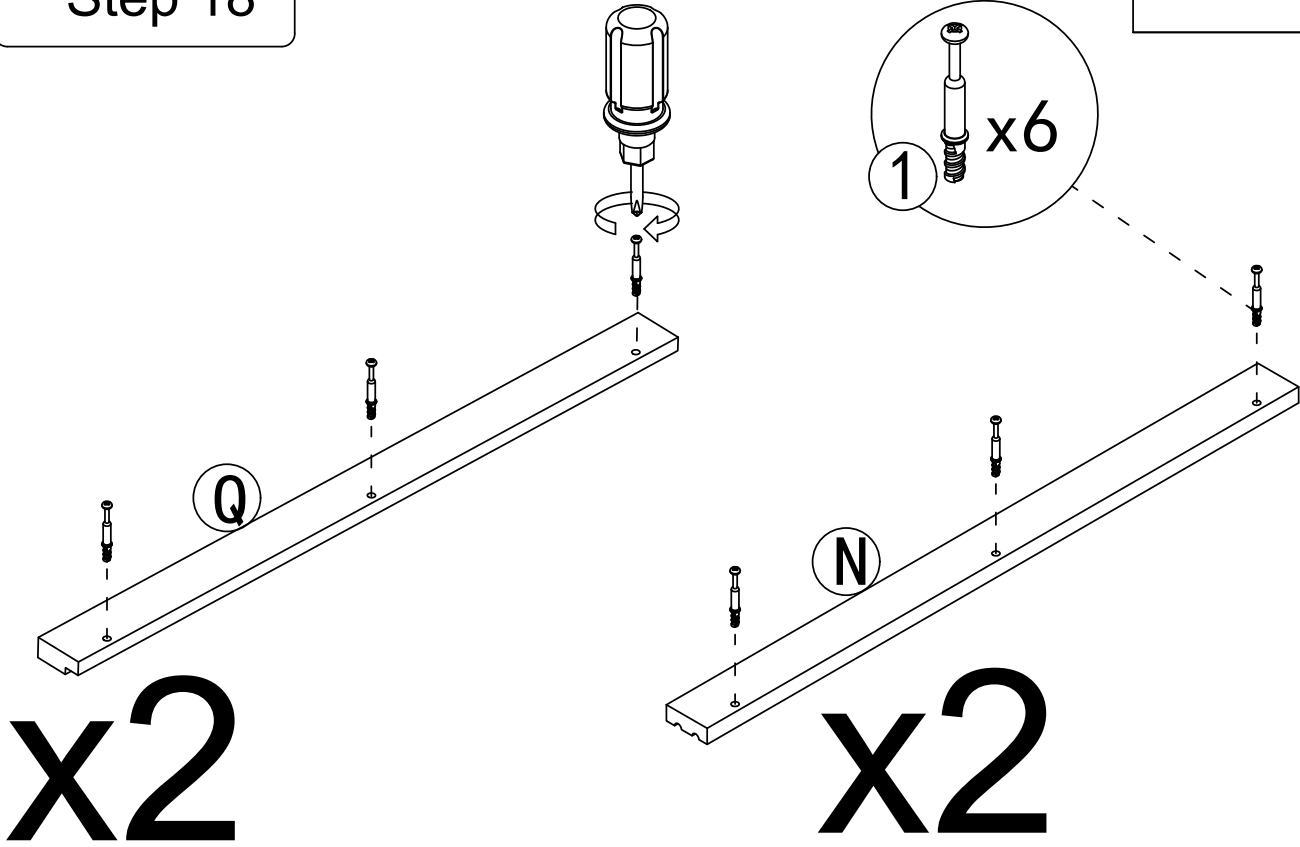
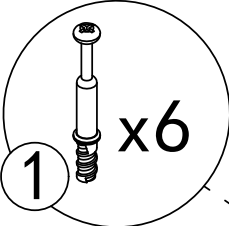
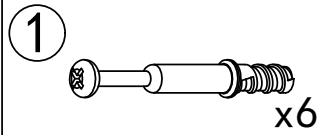


x4

Tear off release paper and stick the black foot pad on the board



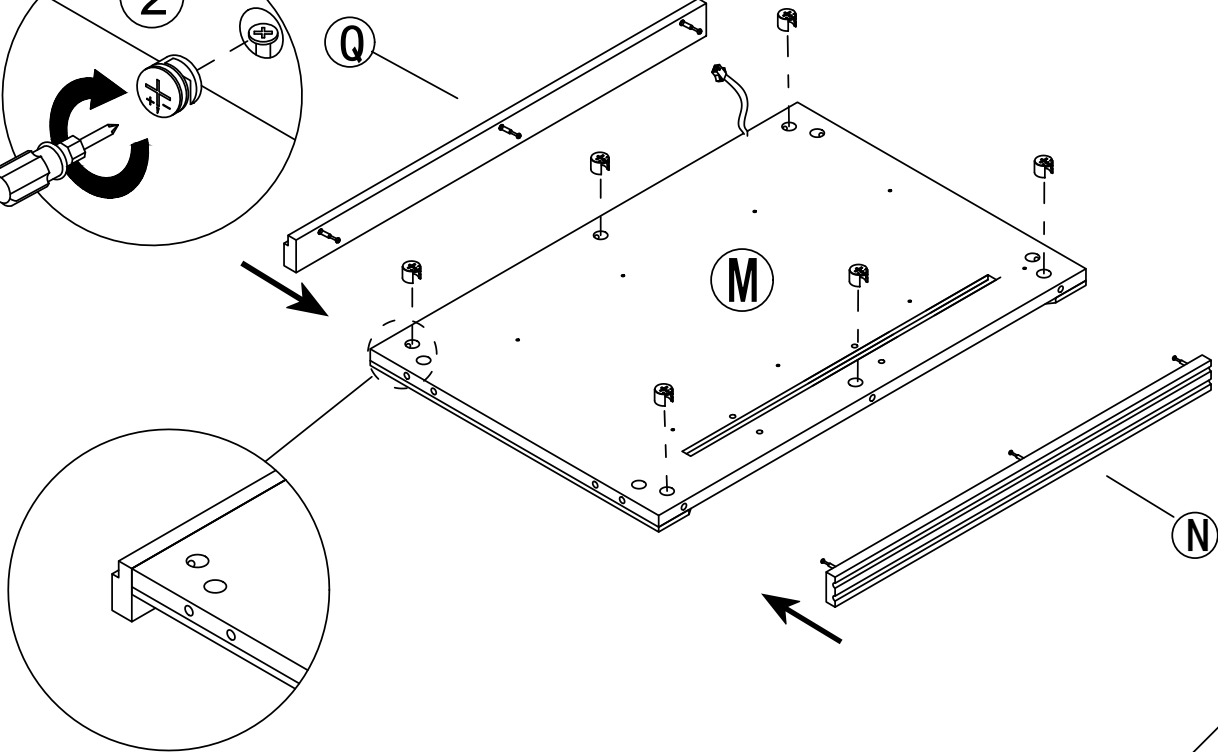
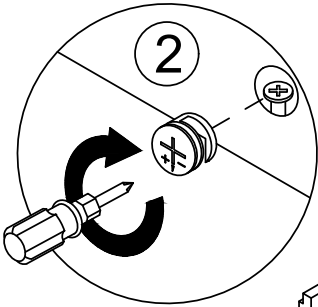
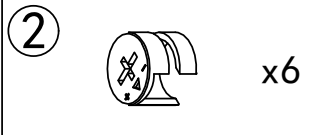
Step 18



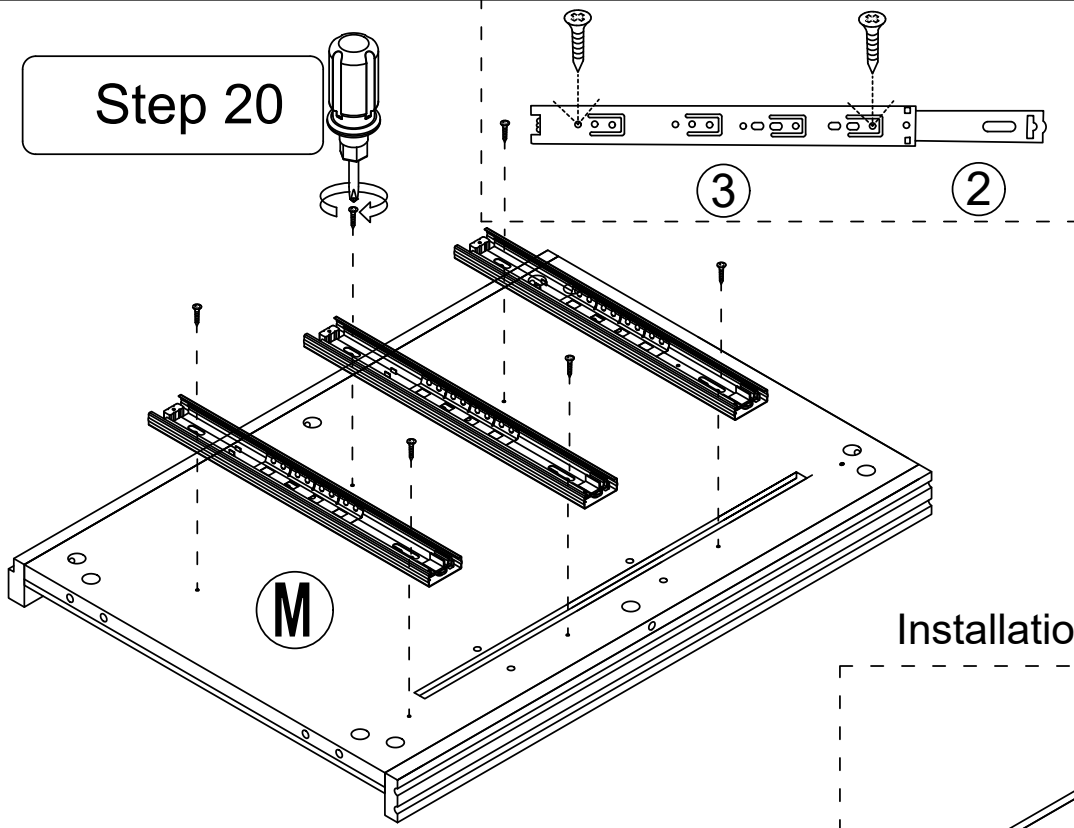
x2

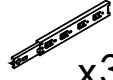
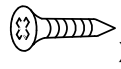
x2

Step 19

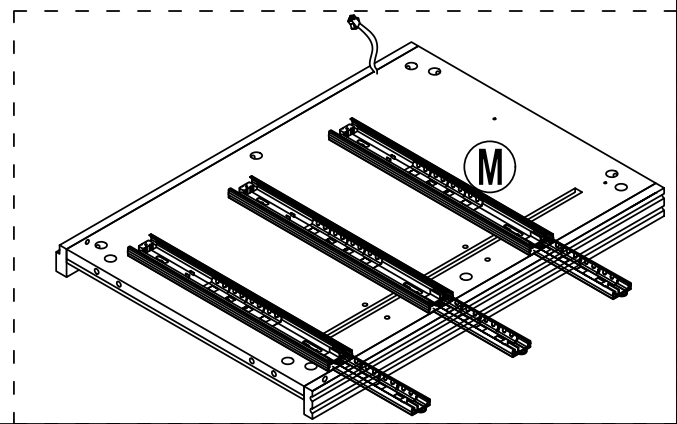


# Step 20

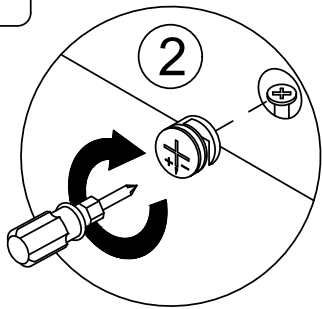


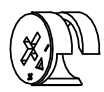
5  x3  x6

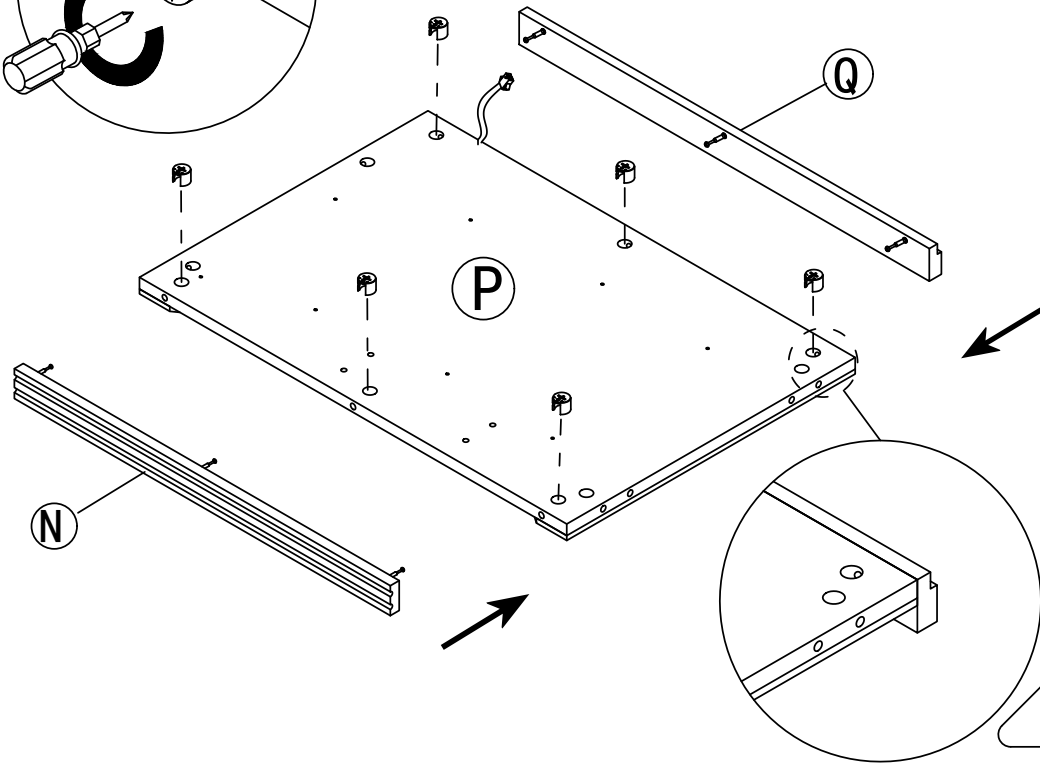
## Installation completion diagram



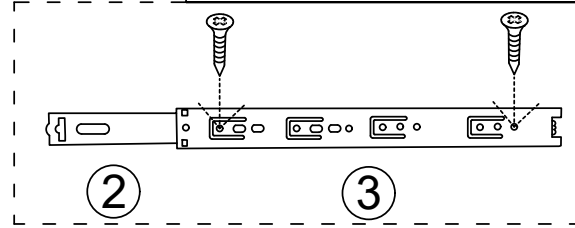
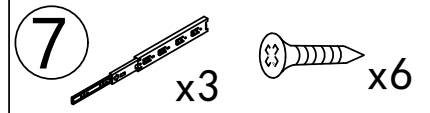
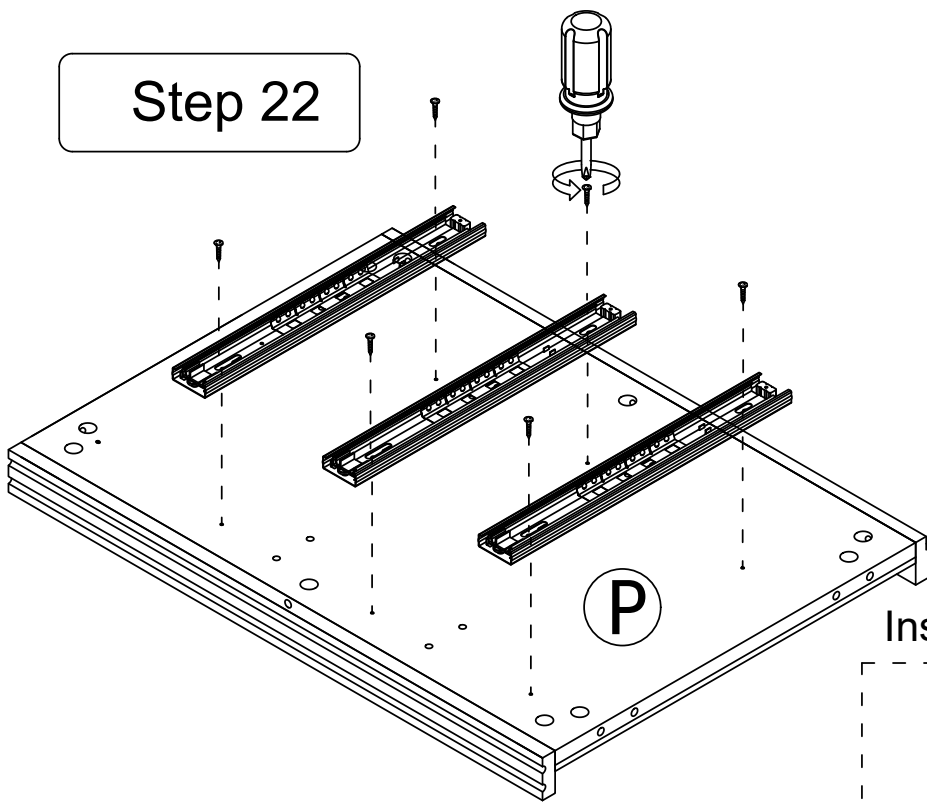
# Step 21



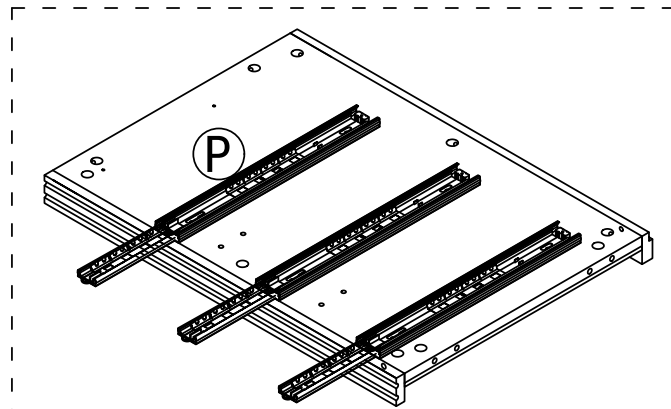
2  x6



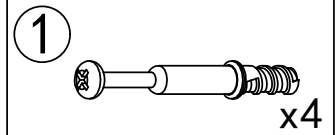
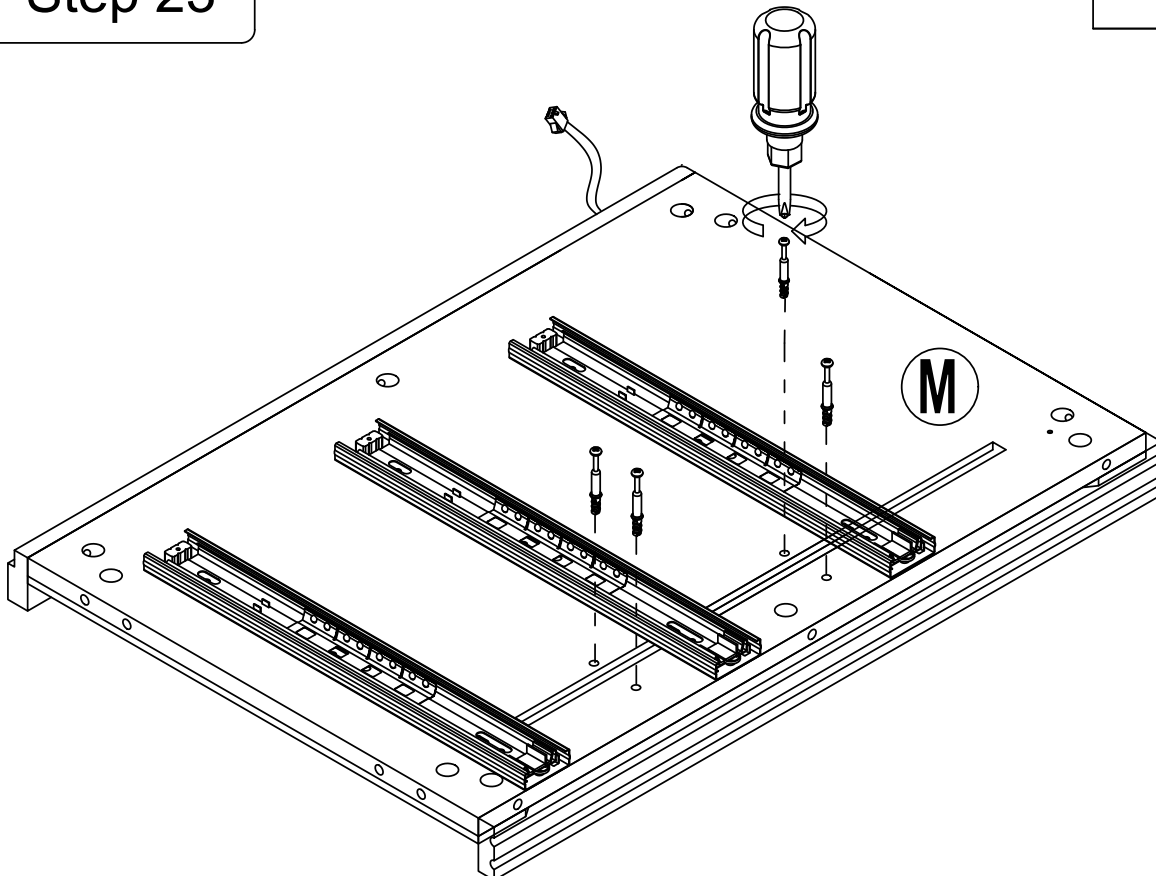
# Step 22



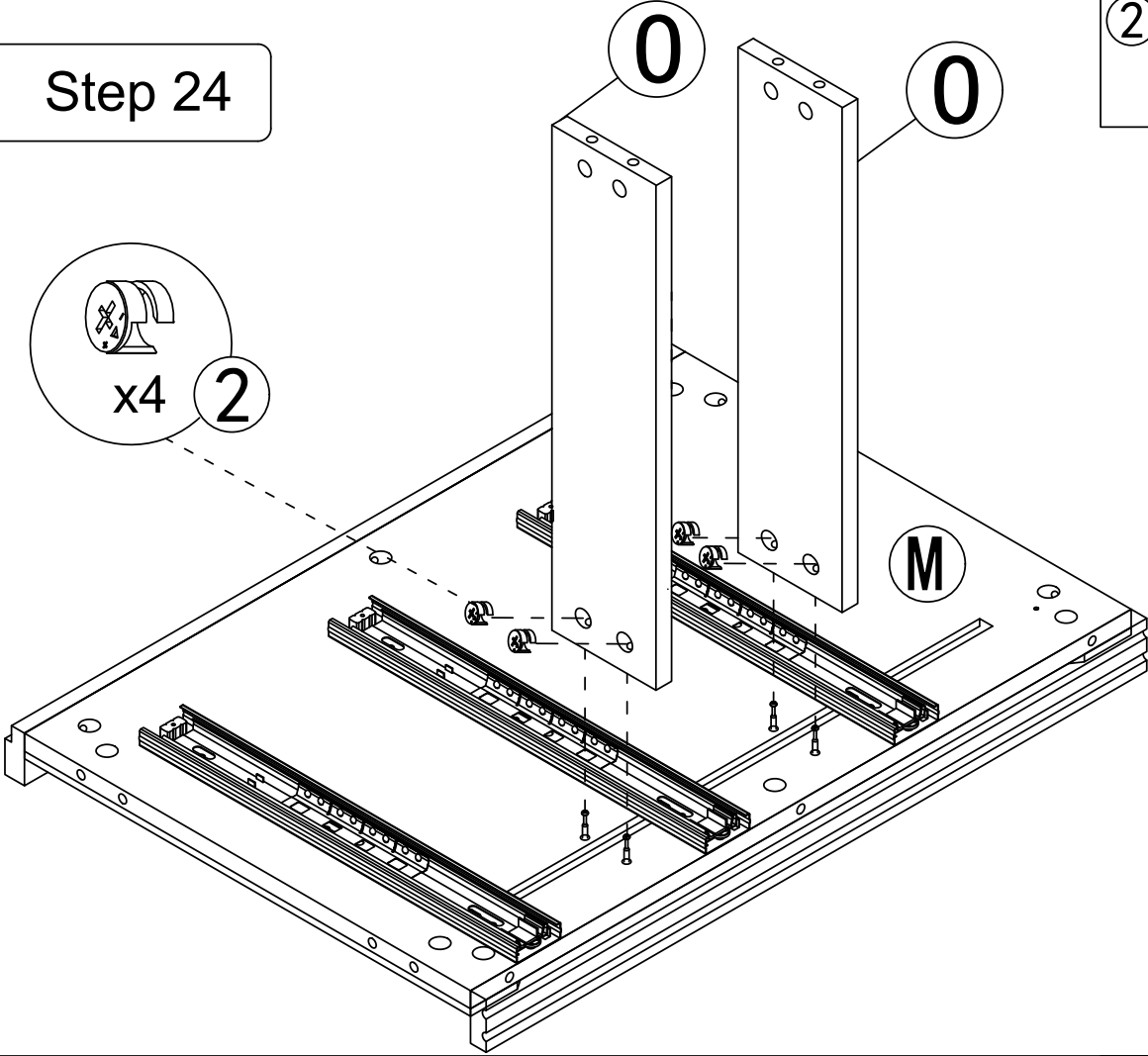
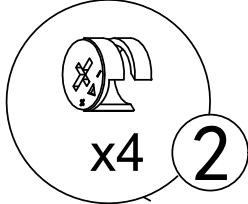
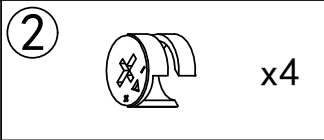
## Installation completion diagram



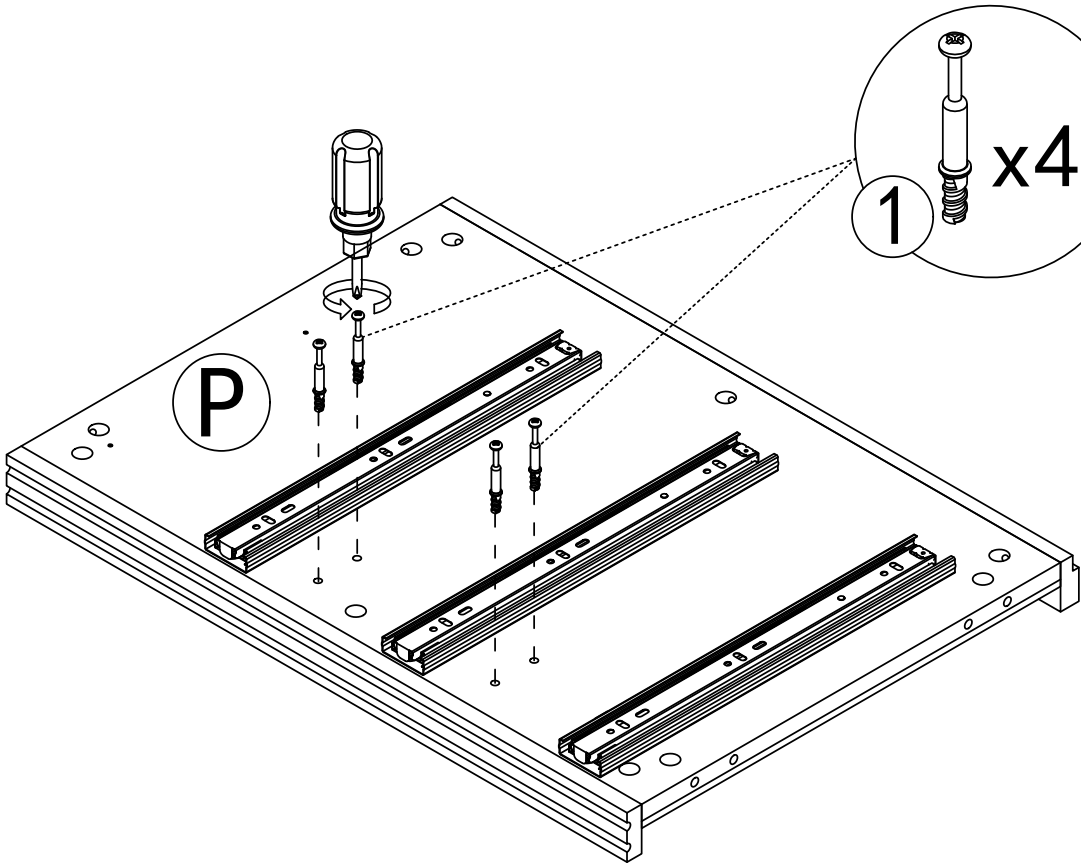
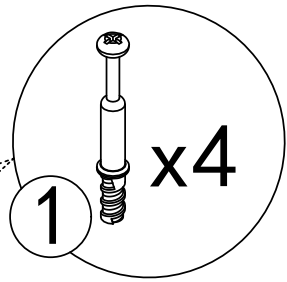
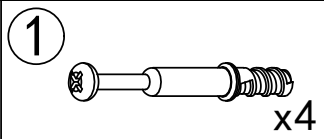
# Step 23



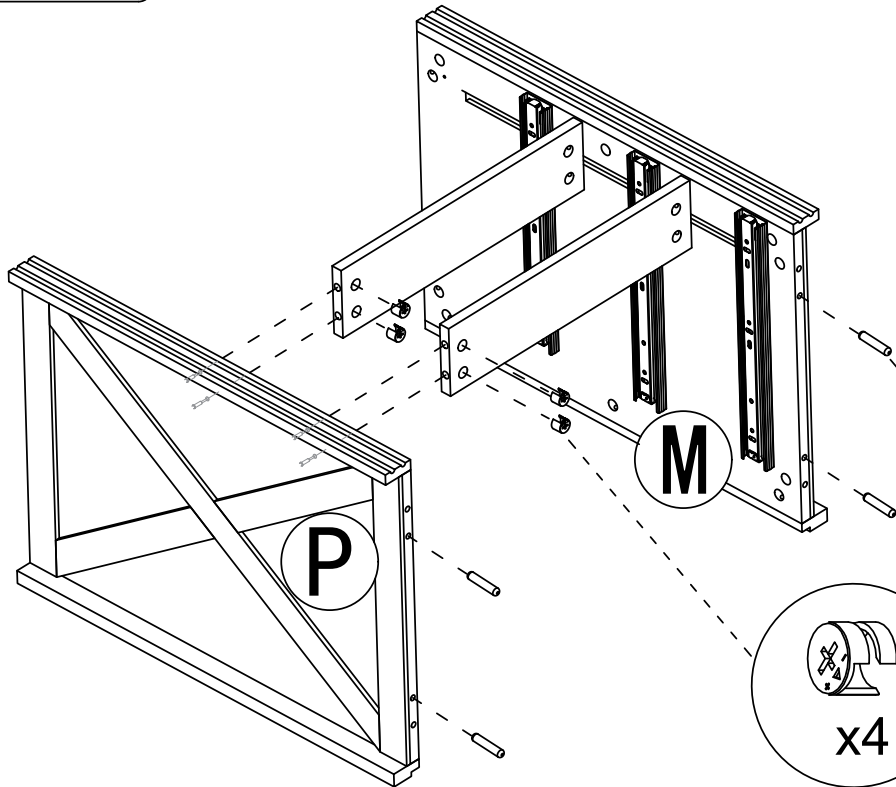
Step 24


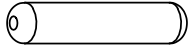



Step 25




Step 26



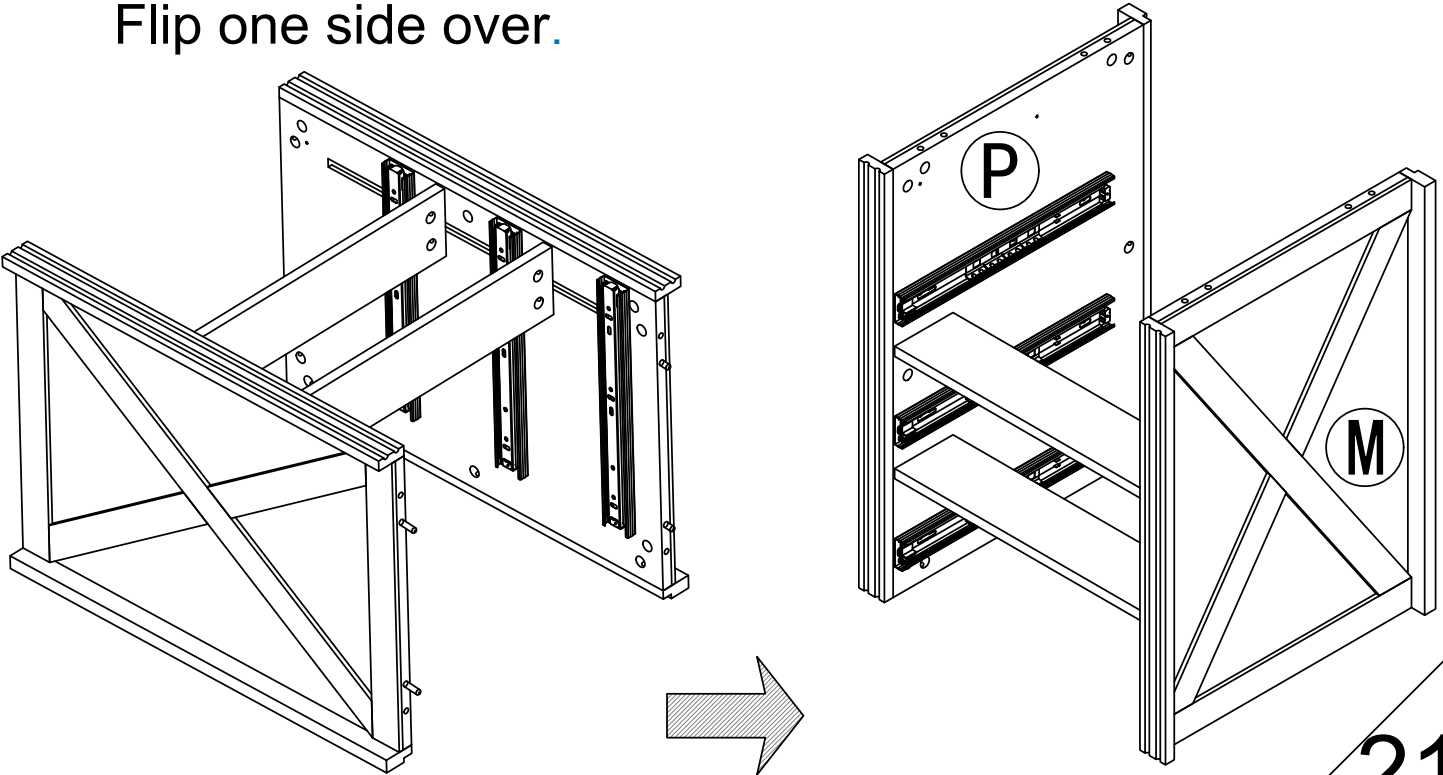
- ②  x4
- ③  x4

- ③  x4

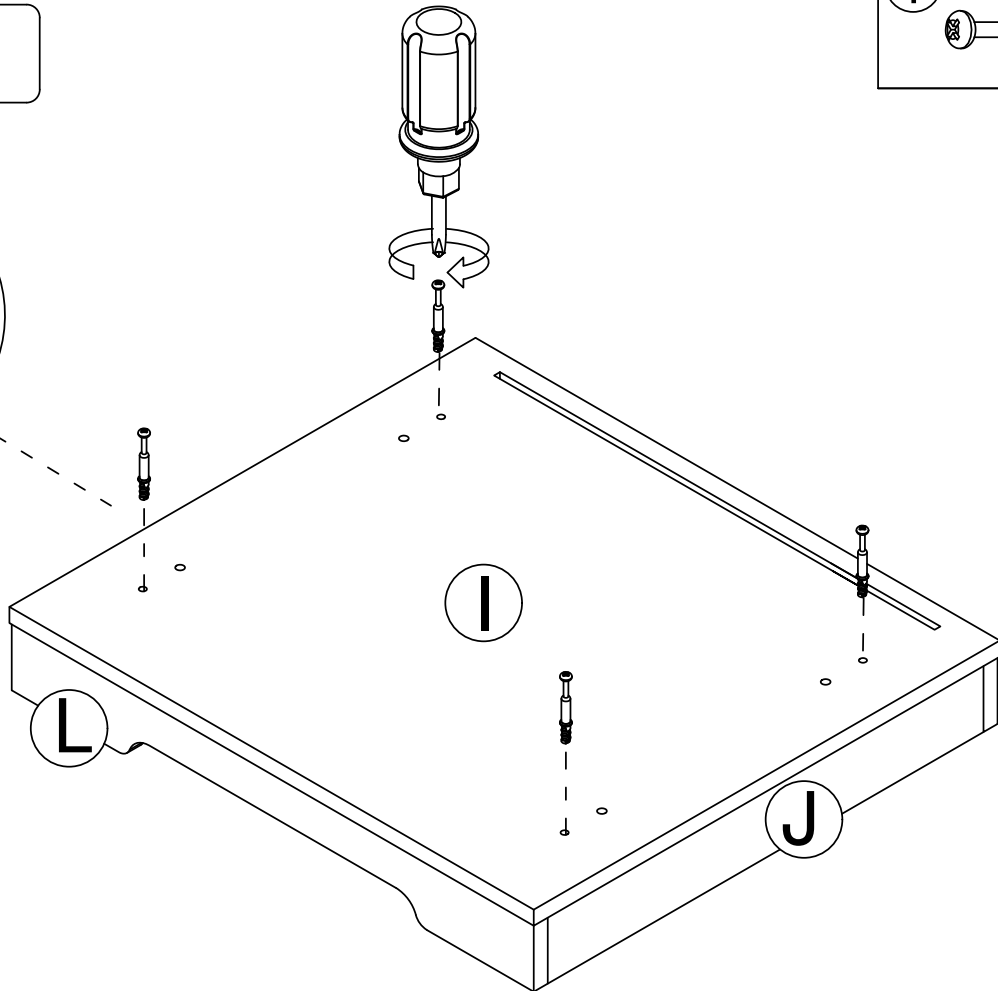
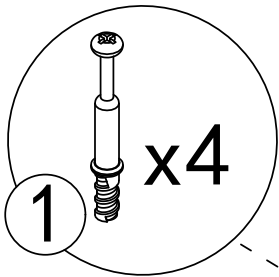
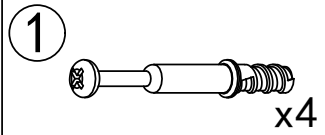
- x4  ②

Step 27

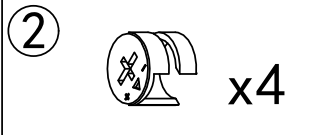
Flip one side over.



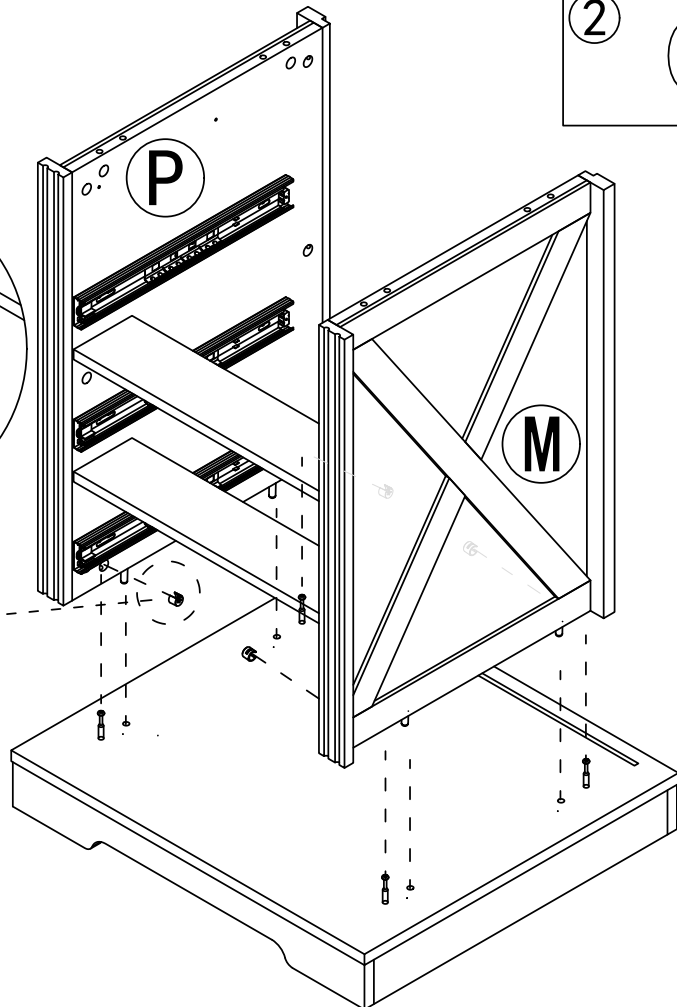
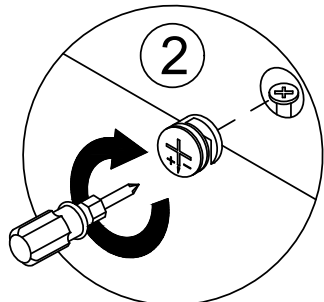
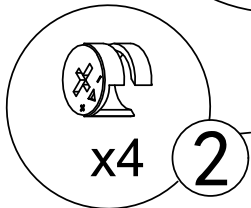
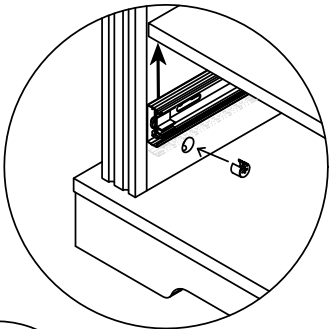
# Step 28



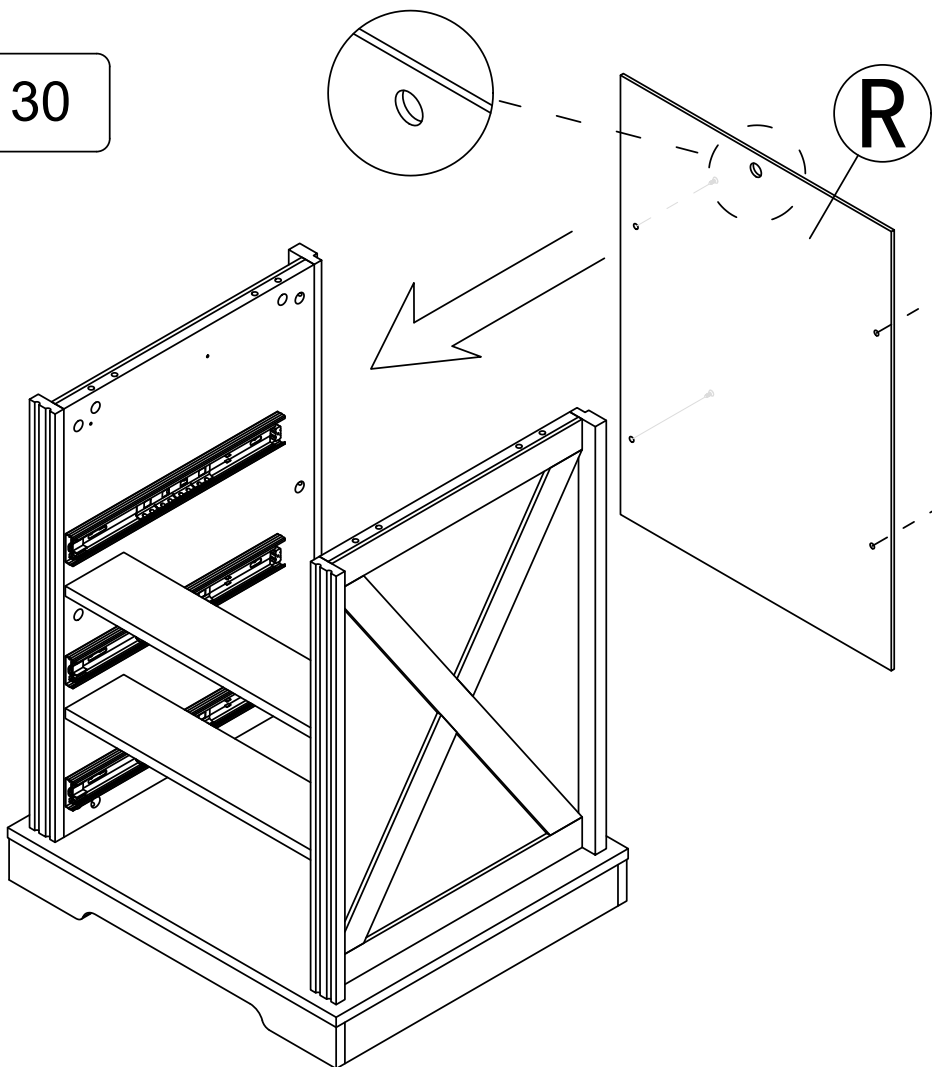
# Step 29



**Attention**  
Adjust the guide rail upwards for easy nut insertion



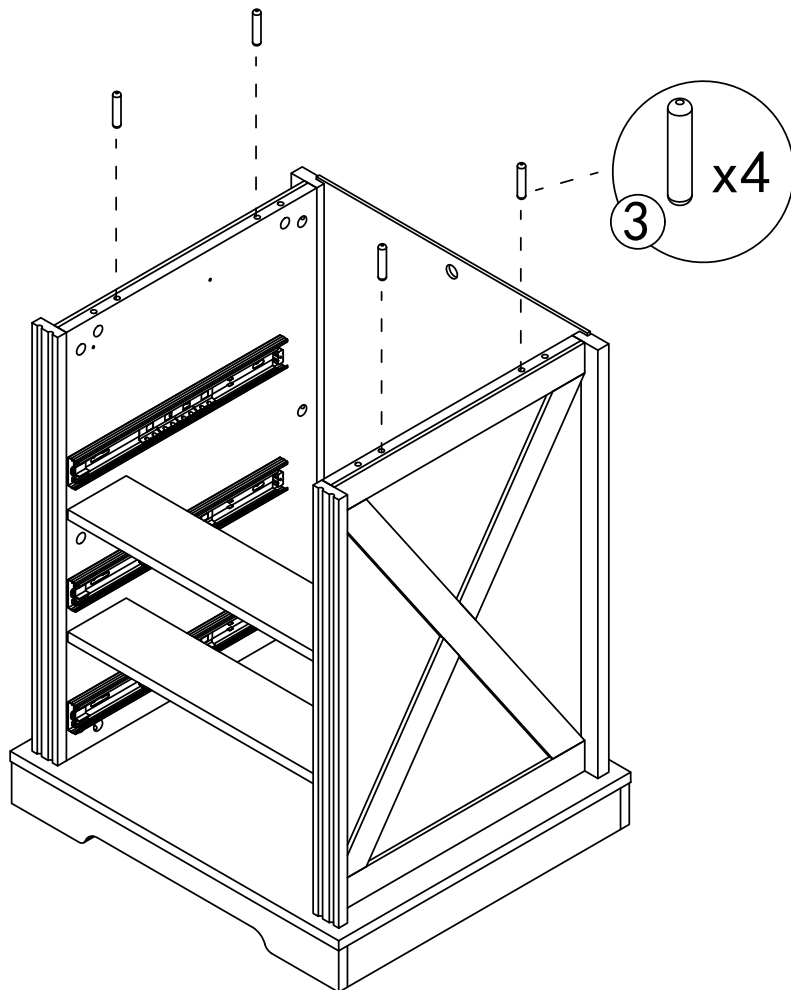
Step 30



9 4pcs  
(3x14mm)

9 x4

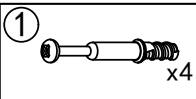
Step 31



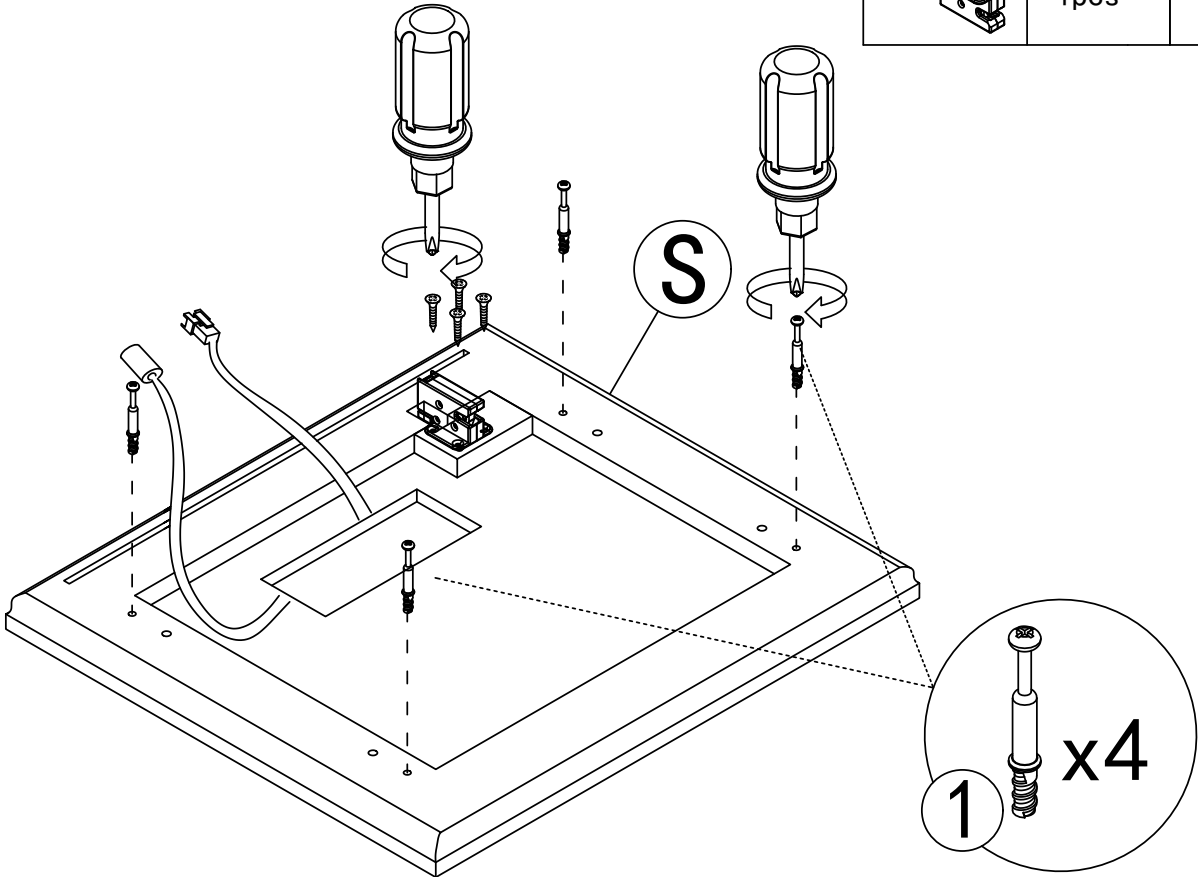
3 x4

3 x4

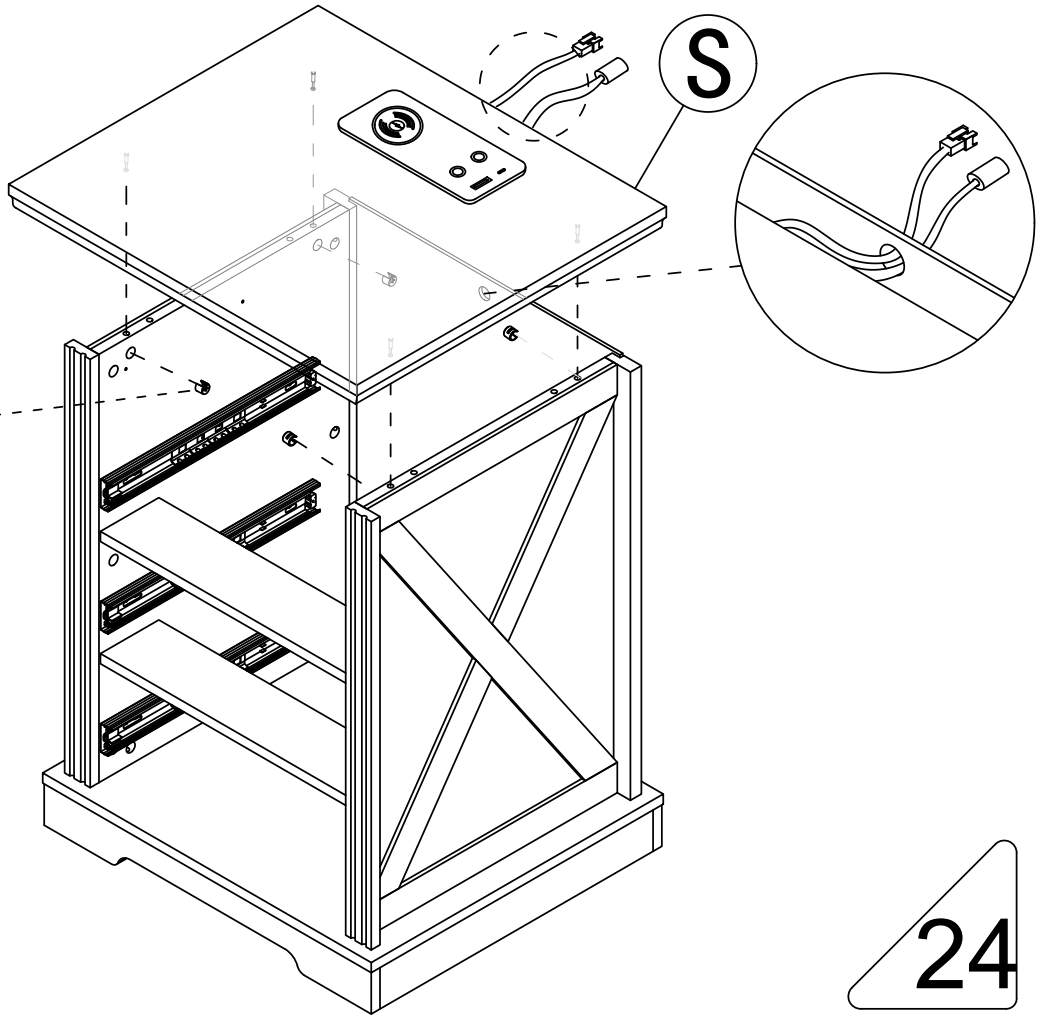
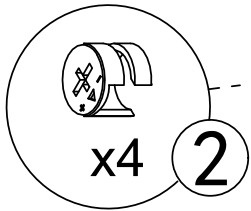
# Step 32



10		1pcs		4pcs
----	--	------	--	------

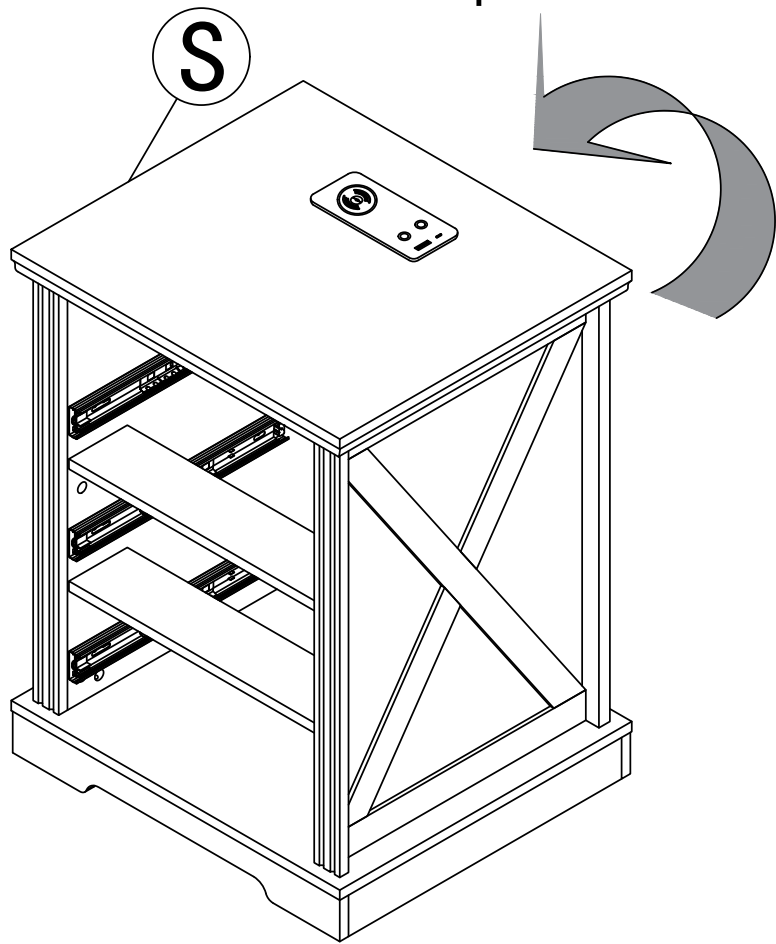


# Step 33

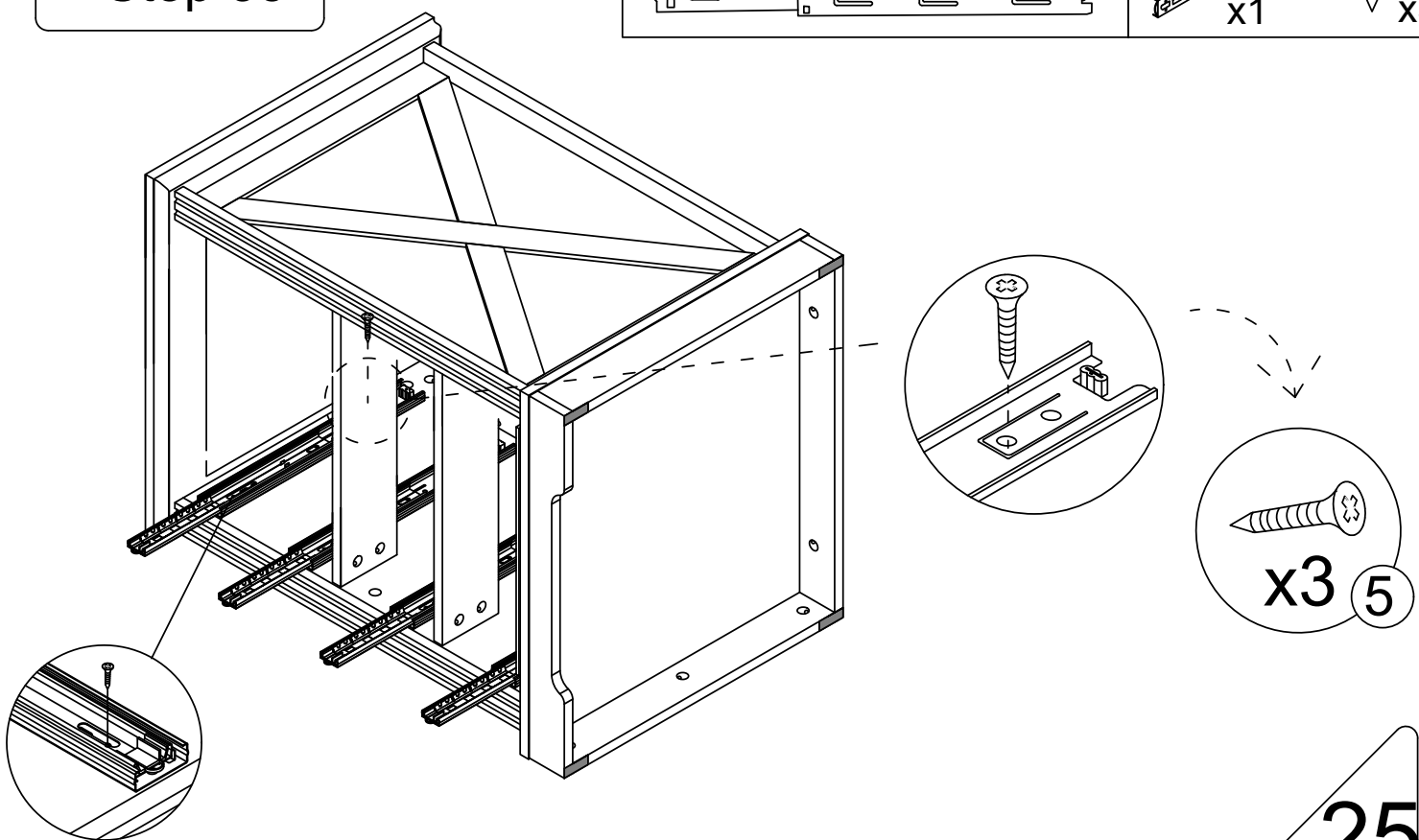
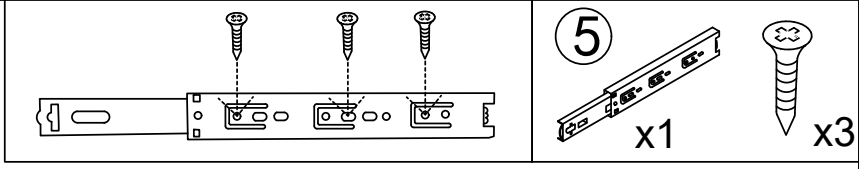


Step 34

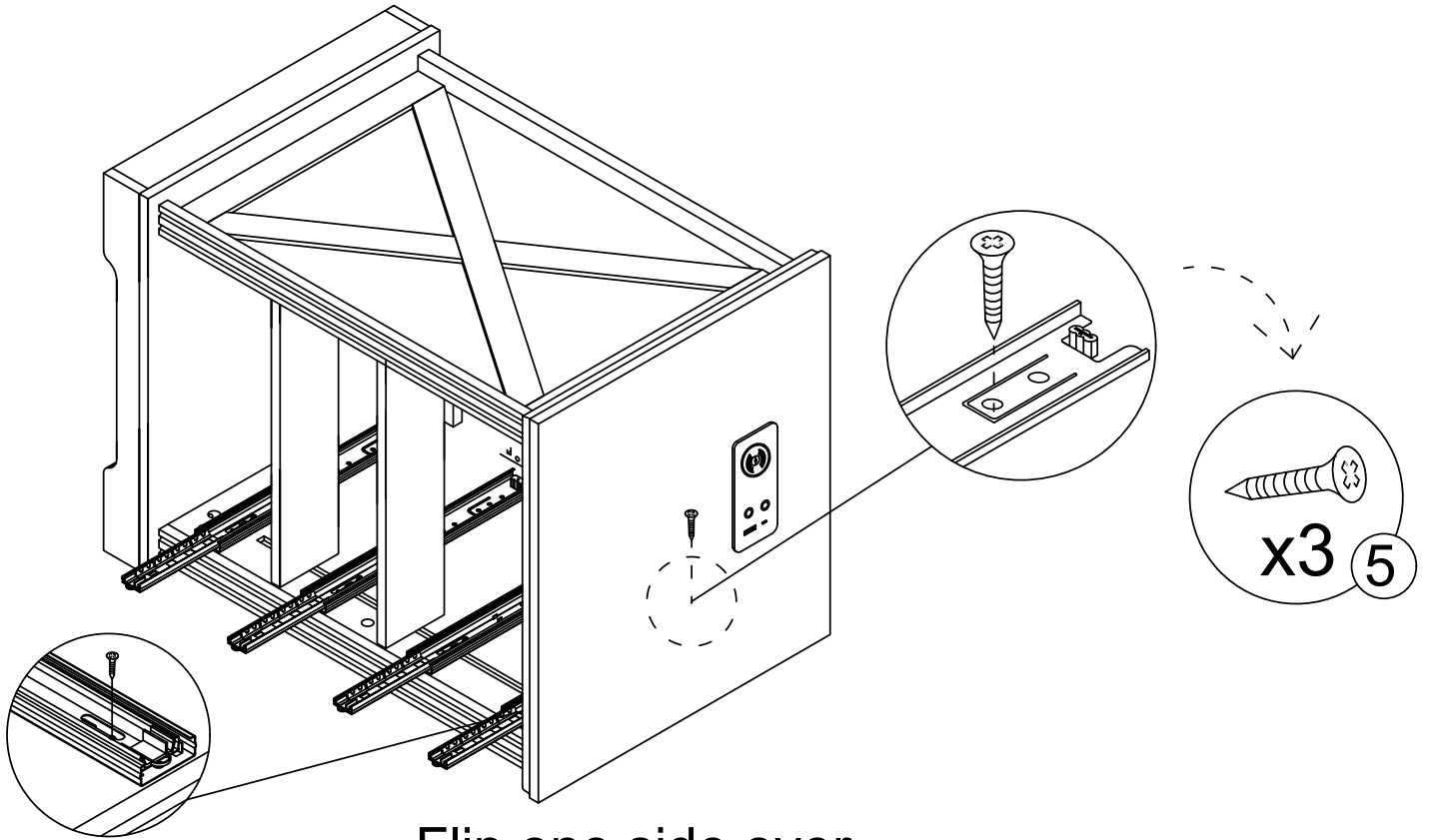
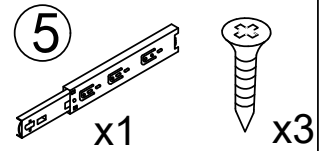
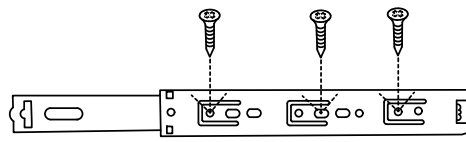
Flip one side over.



Step 35

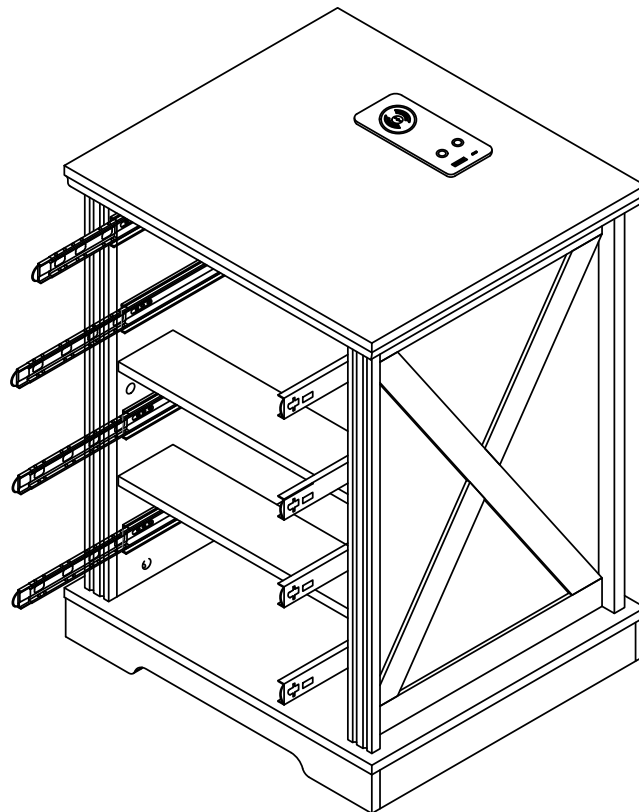


## Step 36



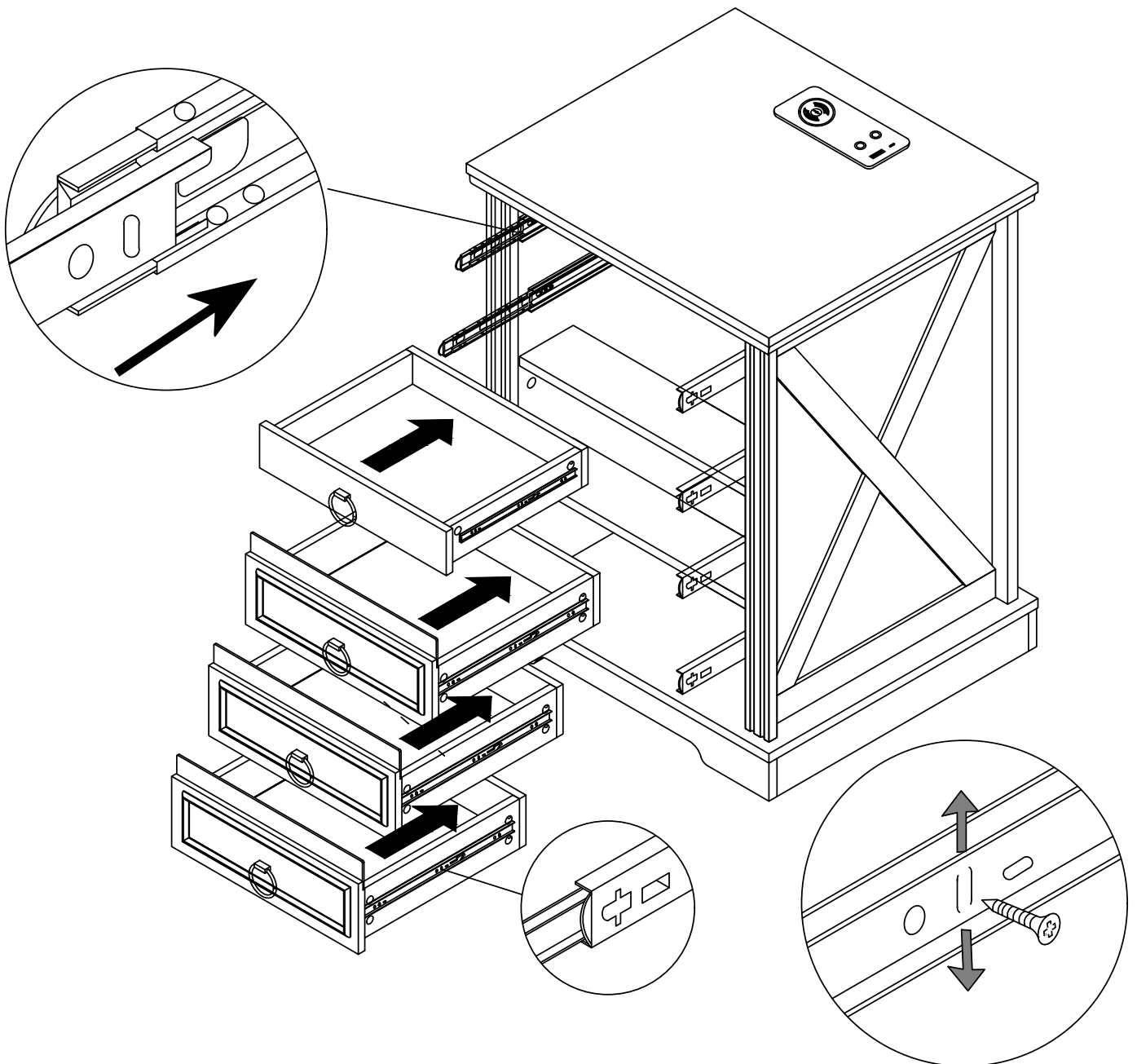
Flip one side over.

## Step 37



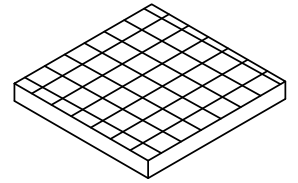
As shown, When installing the drawer, pull the guide rail out first, Slide beads are also pulled out.

## Step 38



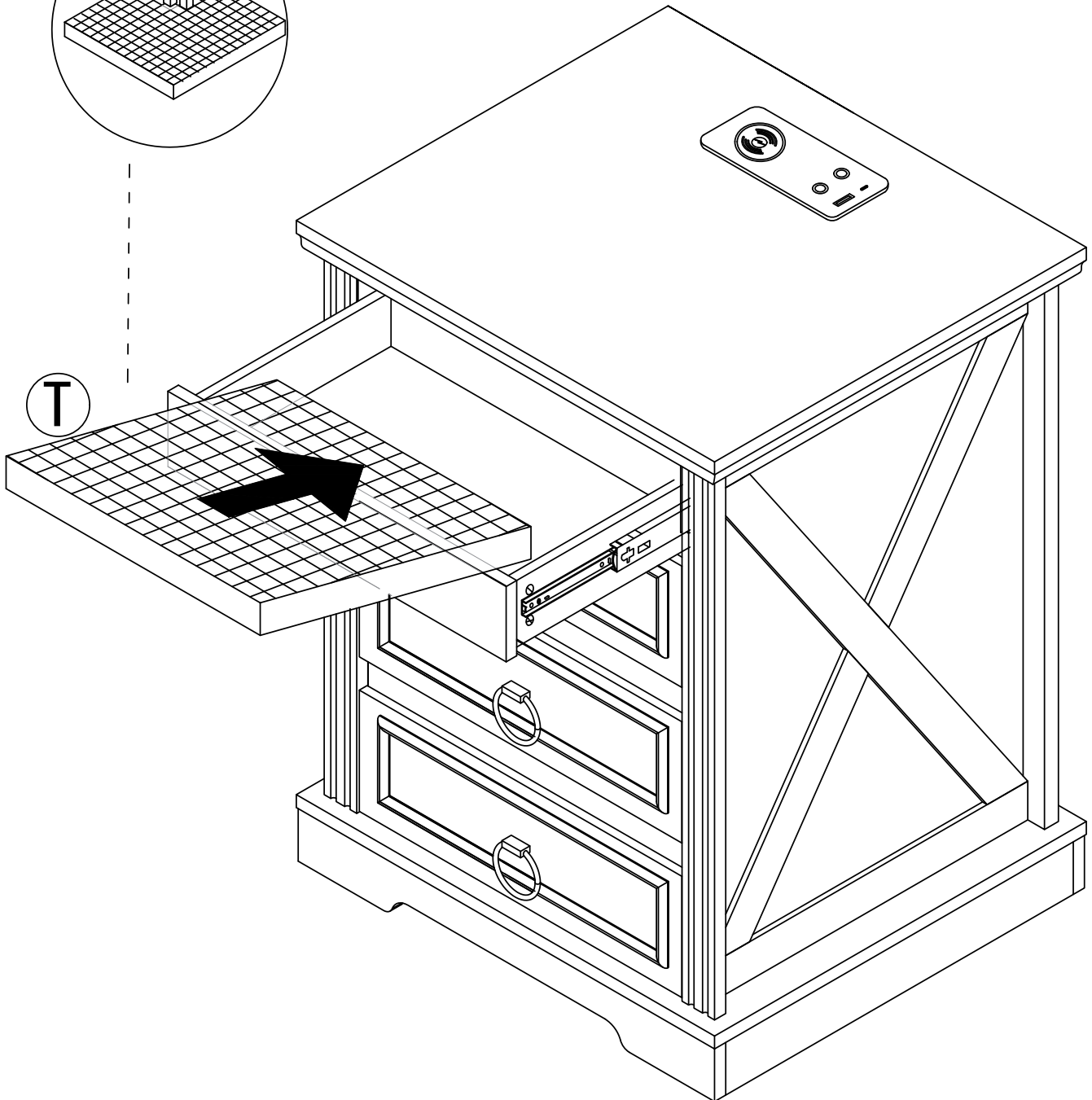
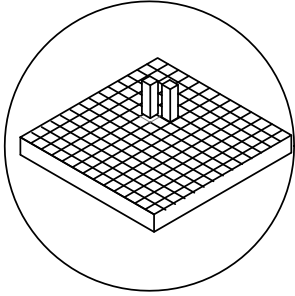
If a large gap is found after installing the drawer the slide rail can be moved up and down to adjust the gap

# Step 39



Tx1

Black pearl cotton can be molded into the desired shape by deducting small squares



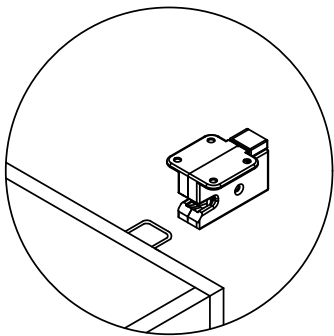
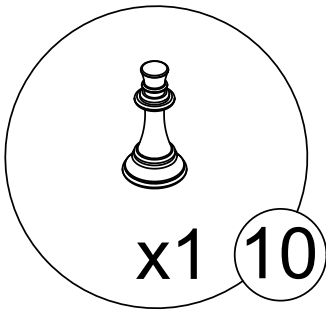
Step 40

10



x1

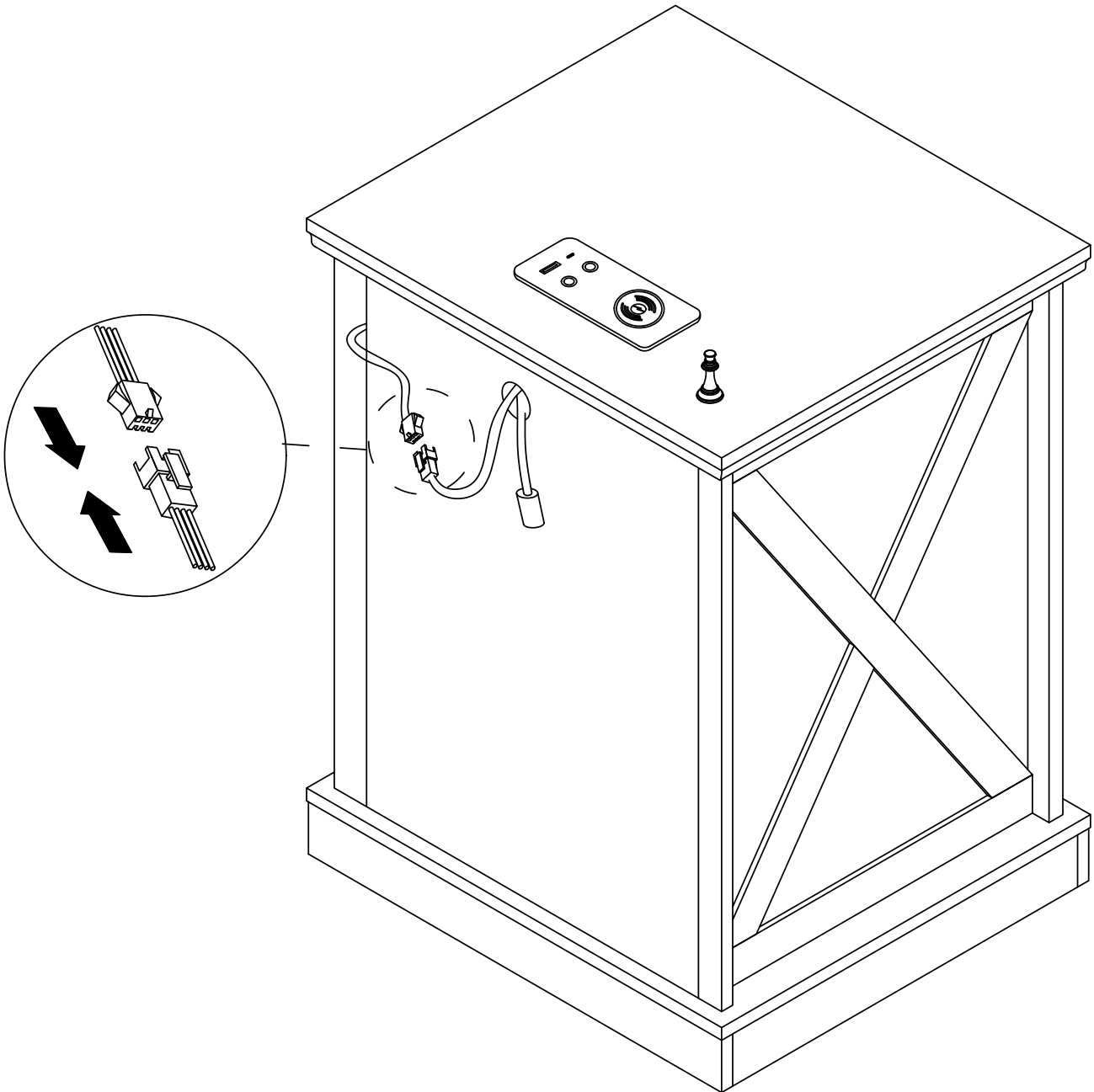
Open lock



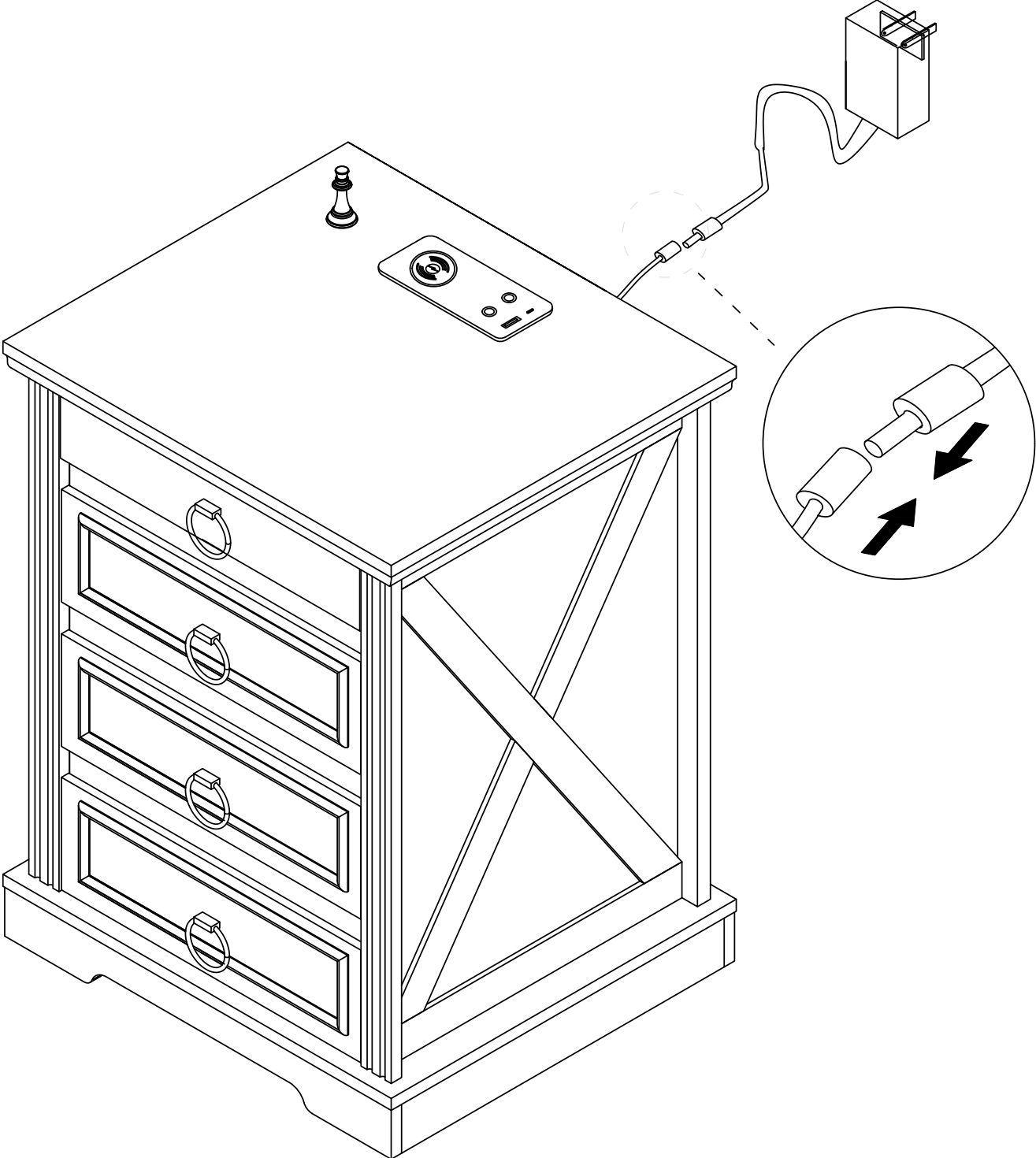
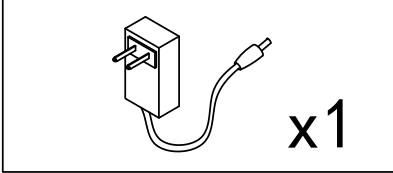
Place the magnetic key above the hidden lock



Step 41



Step 42





## User's Guide

Thank you for purchasing this product.

To use this product, please plug it into a 12V DC power supply.

Please use if the product works normally after connecting to power.

## Introduction

The box is an intelligent controller. It has 1 USB port and 1 type-C port and can distribute the current output up to 5V DC-2A. With 2 touch buttons, it can turn ON/OFF the light, change light colors, and adjust the light luminance.

## Operation



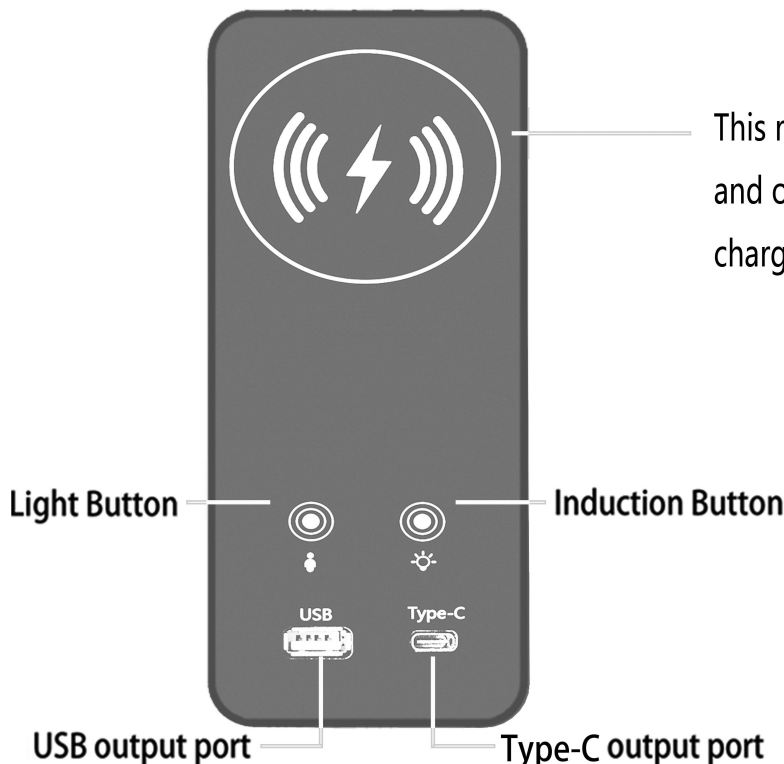
This touch button is used to turn on/off, change colors, and adjust brightness.

- A. Short touch -> lighting on -> short touch -> change light color -> short touch -> change light color -> short touch -> lighting off.
- B. Long touch -> adjust the luminance.



This touch button is used to turn on/off the induction function.

- A. Short touch to turn on the induction function. It can auto-turn on the light when people are close to the controller in 1 meters. It can auto power off the light when the body is far away from the controller after 30 seconds.
- B. Long touch to turn off the induction function.
- C. Note: When you touch the light button to change the light modes, the induction function will automatically turn off. It is best to turn on this function after selecting the light color and adjusting the brightness you want.



## ATTENTION PLEASE

1. If there is no touch response suddenly, Re-plug the power to reset the touch static electricity.
2. If bubbles appear on the panel, remove the protective film.
3. If you have any questions when installing, please feel free to contact us. Thank you.