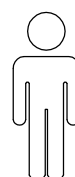
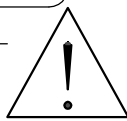
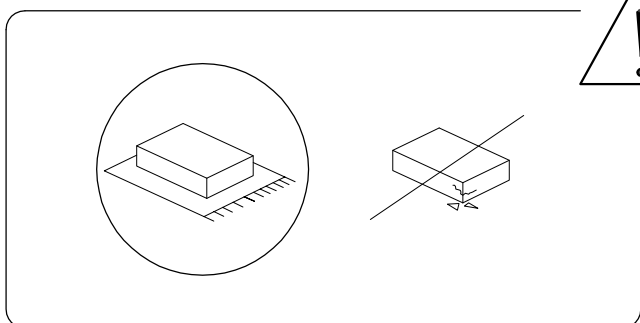
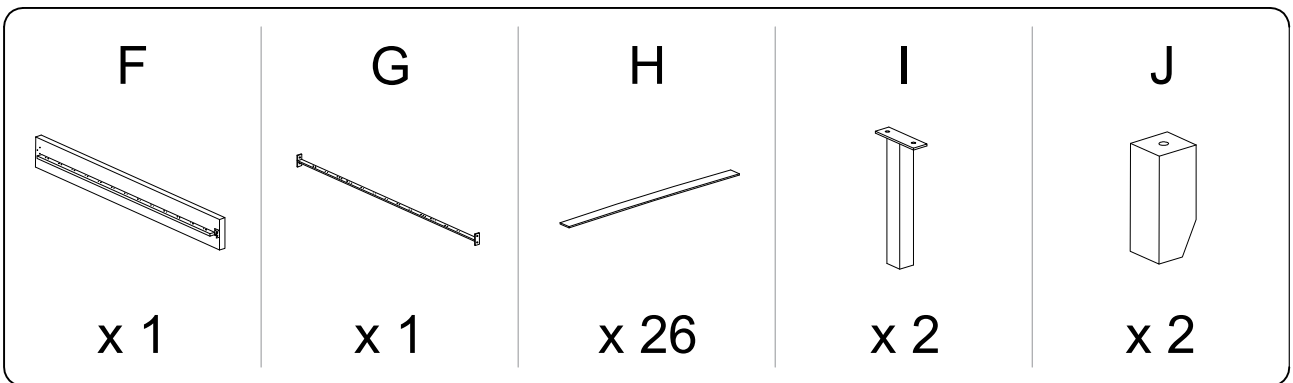
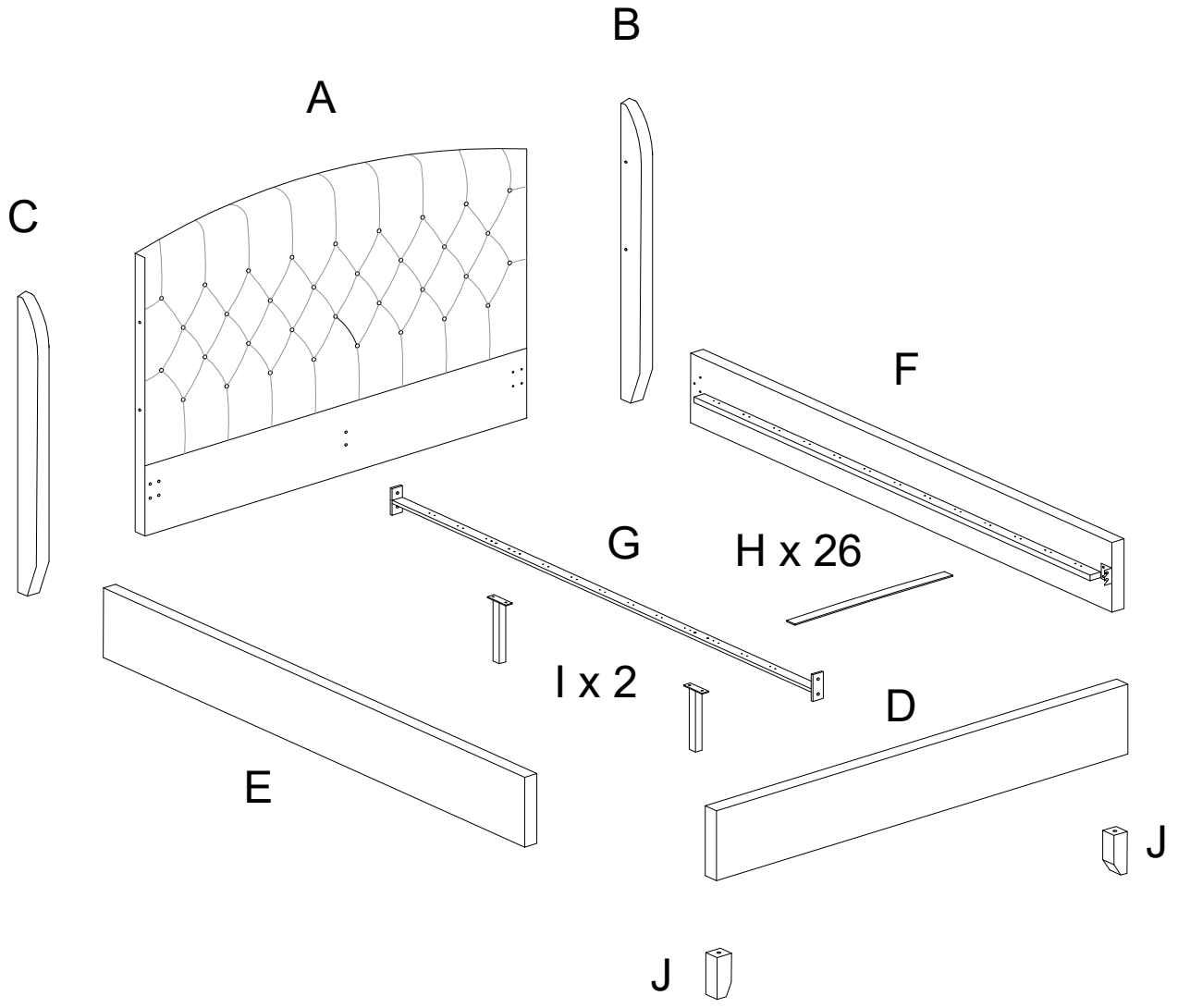
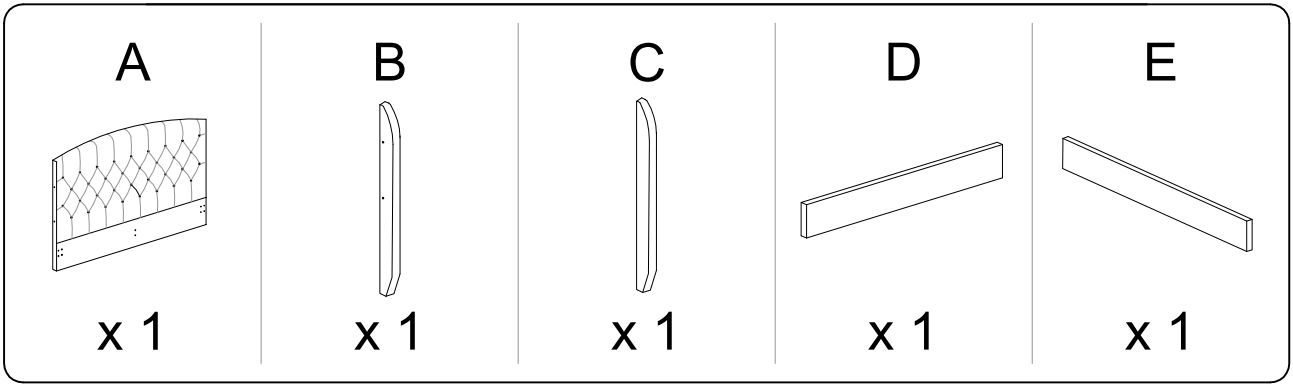


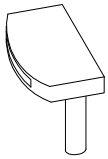
45'



2

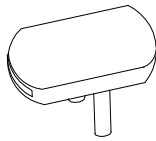


K



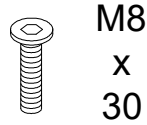
x 26

L



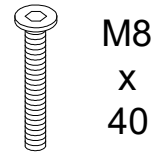
x 13

M



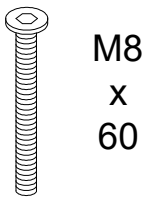
x 18

N



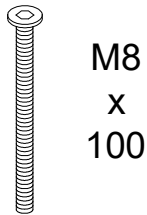
x 8

O



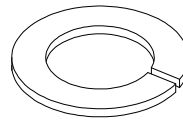
x 4

P



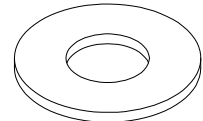
x 2

Q



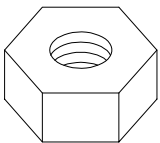
x 30

R



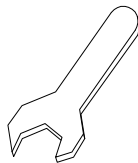
x 30

S



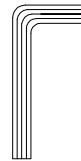
x 4

T



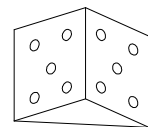
x 1

U



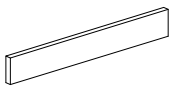

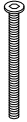

x 1

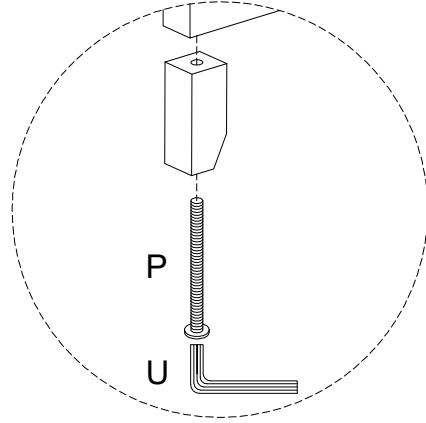
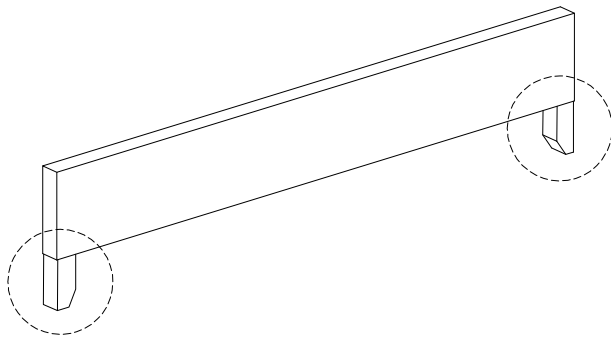
W




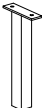



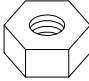


x 2

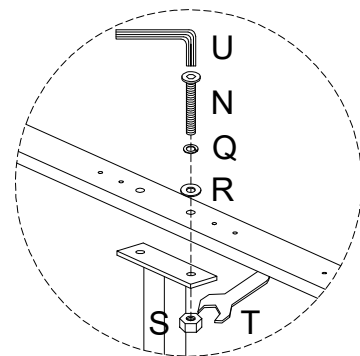
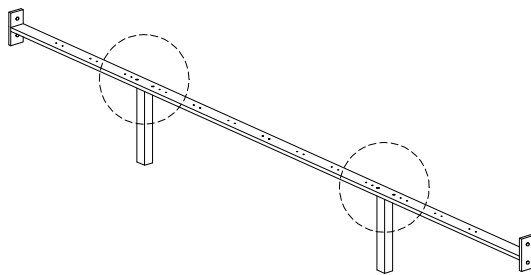
1

<p>D</p>  <p>x 1</p>	<p>J</p>  <p>x 2</p>	<p>P</p>  <p>M8 x 100</p> <p>x 2</p>	<p>U</p>  <p>x 1</p>
---	---	--	---

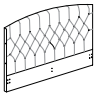








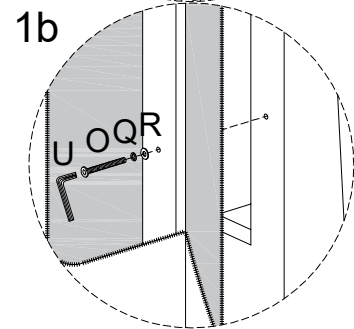
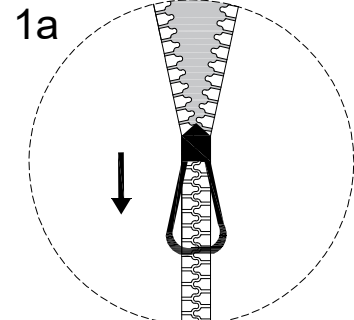
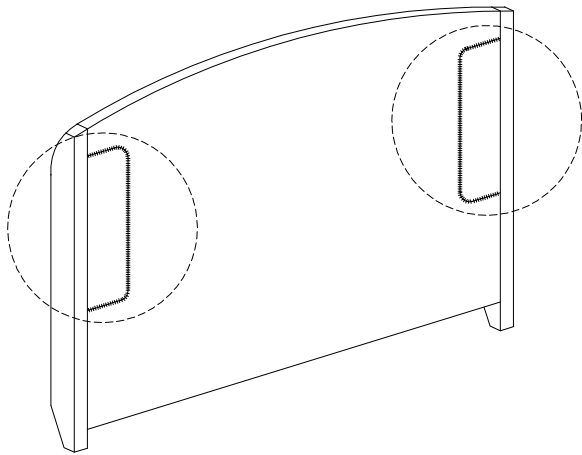
2

<p>G</p>  <p>x 1</p>	<p>I</p>  <p>x 2</p>	<p>N</p>  <p>M8 x 40</p> <p>x 4</p>	<p>Q</p>  <p>x 4</p>
<p>R</p>  <p>x 4</p>	<p>S</p>  <p>x 4</p>	<p>T</p>  <p>x 1</p>	<p>U</p>  <p>x 1</p>



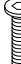

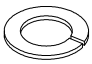

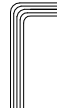
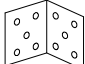


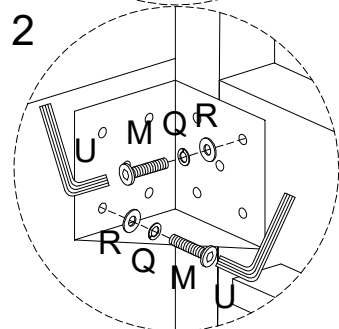
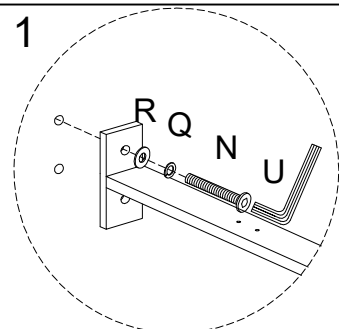
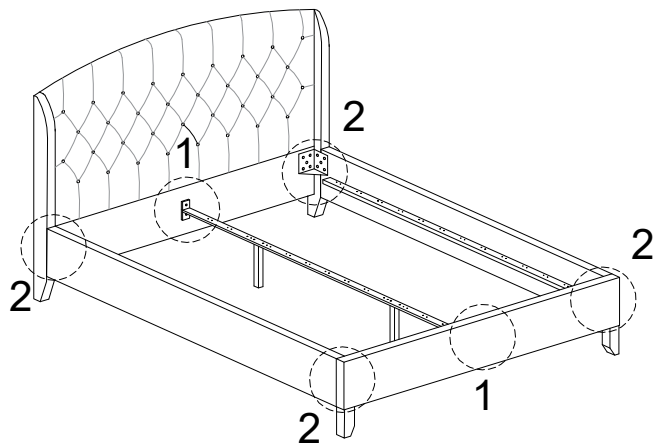
3

<b>A</b>  x 1	<b>B</b>  x 1	<b>C</b>  x 1	<b>O</b>  M8 x 60 x 4	<b>Q</b>  x 4	<b>R</b>  x 4	<b>U</b>  x 1
--	--	--	---	---	--	--

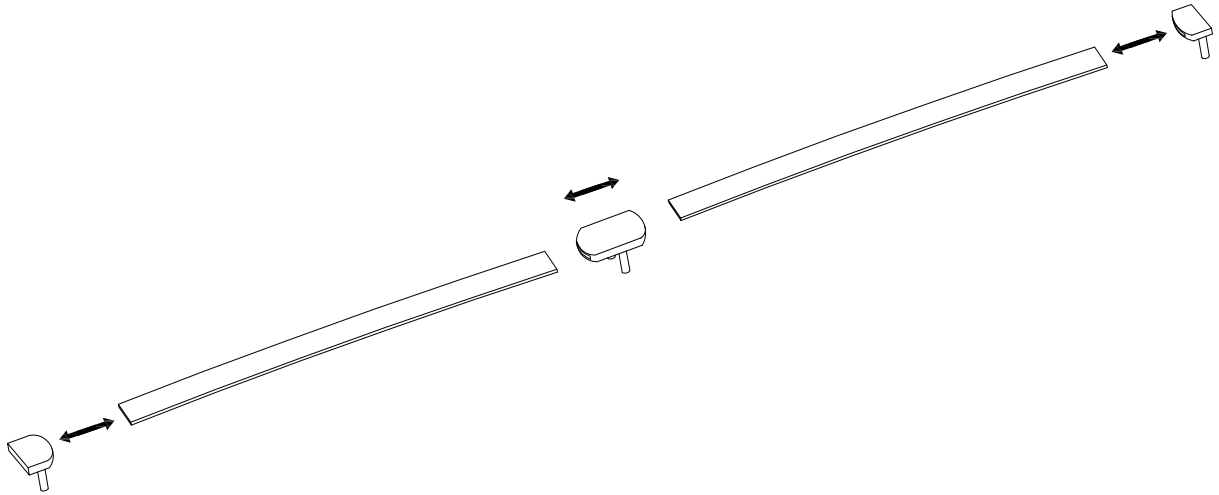
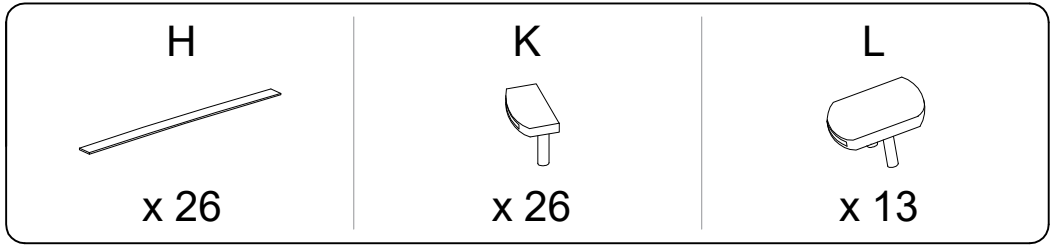


4

<b>E</b>  x 1	<b>F</b>  x 1	<b>M</b>  M8 x 30 x 18	<b>N</b>  M8 x 40 x 4	<b>Q</b>  x 22	<b>R</b>  x 22	<b>U</b>  x 1	<b>W</b>  x 2
--	--	--	---	--	---	--	--



5



6

