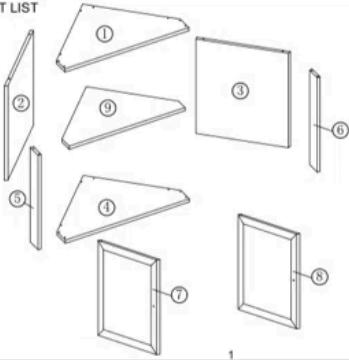


ASSEMBLY INSTRUCTIONS



PART LIST



- | | | |
|---|--|-----|
| A | | X16 |
| B | | X4 |
| C | | X4 |
| D | | X1 |

