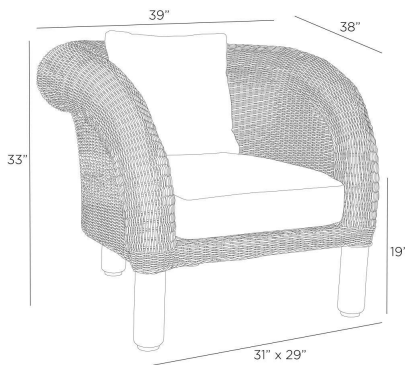


## FIELDER OUTDOOR LOUNGE CHAIR



FRS22

H: 33 IN, W: 39 IN, D: 38 IN,

Pearl Outdoor Performance Bouclé

Like a woven shrug, the fashionable form of this dune twisted synthetic rattan seat was designed to cradle the body like a hug. The playful yet contemporary form is oversized, with wheat teak wood legs and roll edges. Our Pearl Outdoor Performance Bouclé cushion and lumbar pillow are attached with Velcro. Finish will vary.

### APPEARANCE

Material	Bouclé, Rattan, Wood
Material Type	Outdoor Performance, Synthetic, Teak
Finish	Pearl, Dune, Wheat
Finish Will Vary	Yes
Top Coat/Sealant	Yes

### DIMENSIONS

Arm	H: 32 IN, W: 6 IN, D: 15 IN
Foot Print	W: 31 IN, D: 29 IN
Leg	H: 9.5 IN, Dia: 3.00 IN
Seat	H: 19 IN, W: 22 IN, D: 28 IN
Seat Back	H: 17 IN, W: 17 IN, D: 6 IN
Diagonal Dimension	50.5 IN
Clearance	10 IN

### SHIPPING

Shipping Requirements	TruckShip
Product Weight	52.8 lbs
Gross Weight 1	96 lbs
Gross Weight 2	15 lbs
Shipping Box 1	H: 36.5 IN, L: 42.75 IN, W: 40.75 IN
Shipping Box 2	H: 24 IN, L: 30 IN, W: 30 IN

### ADDITIONAL INFO

Swatch Number	X75SW, DWTSRSW, WHTWSW, DSRSBSW
Fabric Content	100% Solution Dyed Acrylic
Fabric Cleaning Code	P - clean with detergent & water
Fabric Rub Count	100,000
Leg Or Foot Application	Adjustable Nylon Glides

### CONTRACT

Contract Suitable	Yes
-------------------	-----