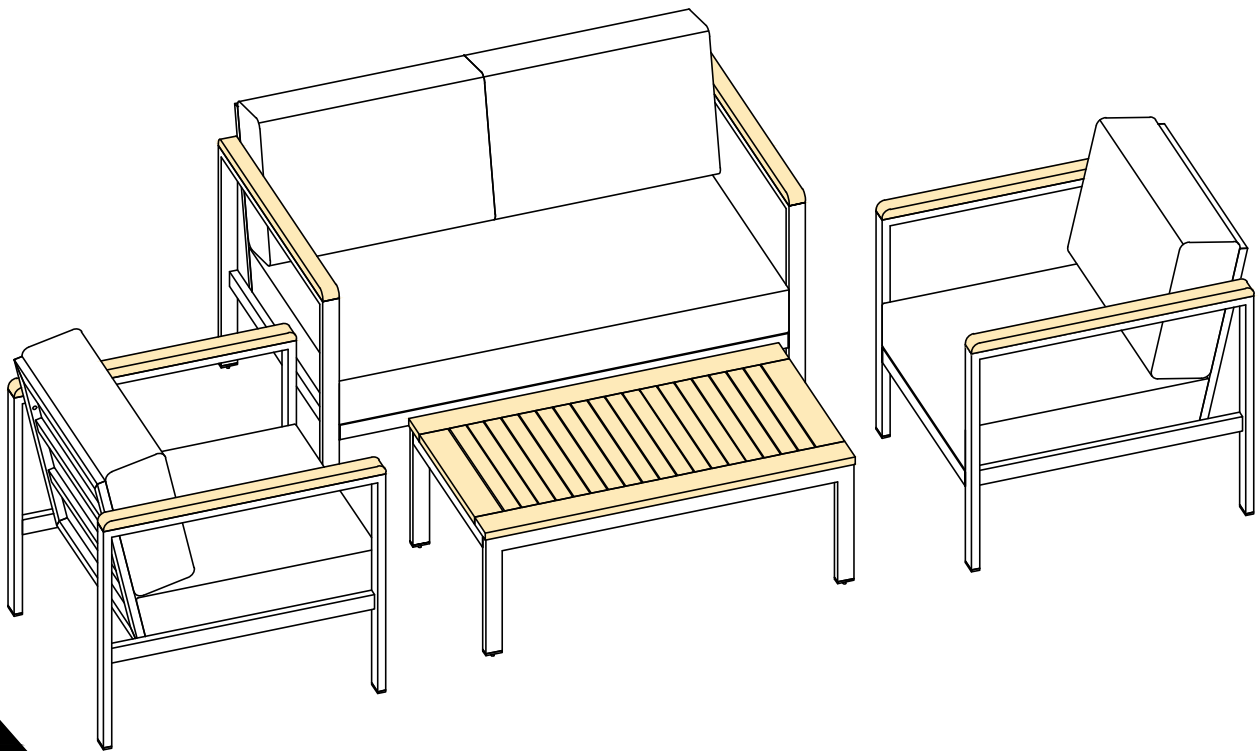


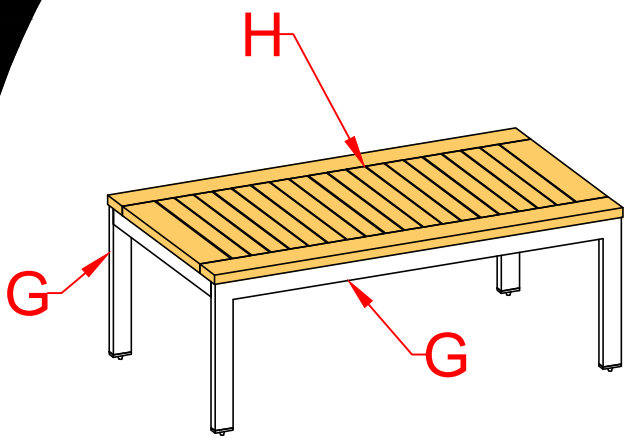
# ASSEMBLY INSTRUCTIONS

---

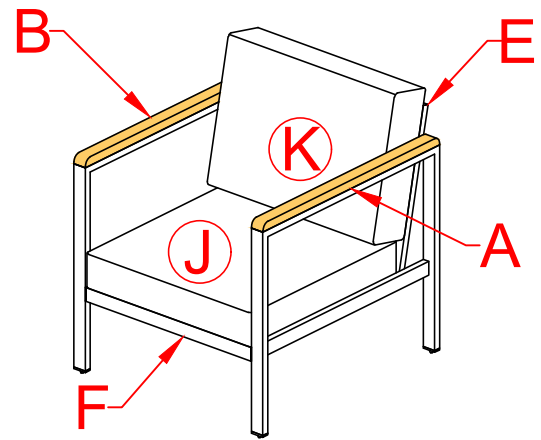
- 4-Pieces  
Patio Furniture Set



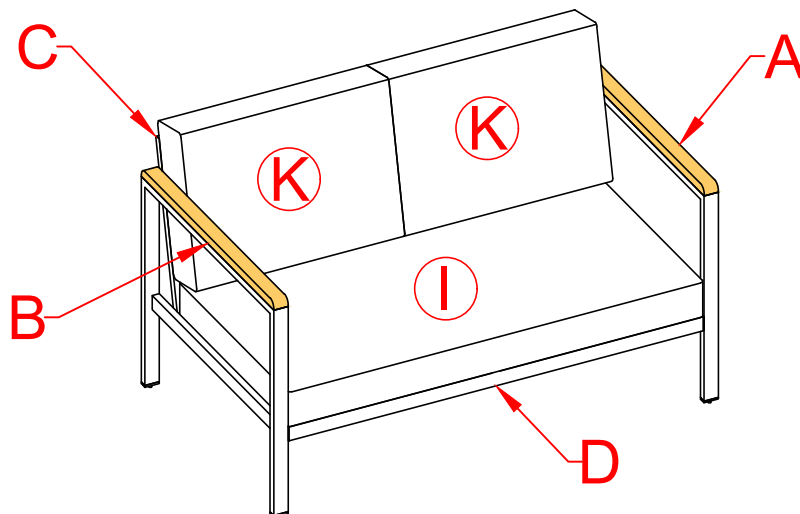
If you have any assembly problem



● 1- Coffee Table



● 2-Single Chairs



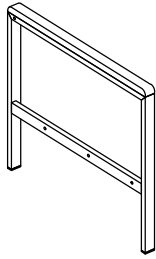
● 1-Bench Chair

## Notice:

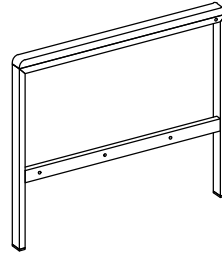
1. 50% Tighten before fixing all screws, Allen wrench is recommended instead of an electric drill.
2. Place the item on a flat ground to adjust and make sure it remains stable.
3. Tighten up all screw with tools gradually.
4. If screw are not aligned with holes during assembly, please loosen all the other screws to 50% and continue the assembly process.
5. If the item is not stable, please loosen all screws, adjust it on a flat ground and tighten up all screws again.
6. Note: If one or some screws are fully tighten during assembly, chances are the others will not be aligned with holes. In addition, all the holes are designed to be relatively larger to provide more space for the adjustment of the screws.

# Carton Content

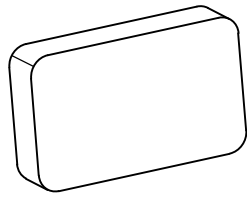
## ● ( Box 2-1 )



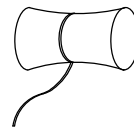
**A** Left Armrest ( 3Pcs )



**B** Right Armrest ( 3Pcs )

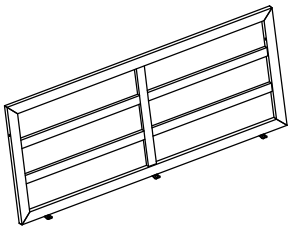


**K** Back Cushion ( 4Pcs )

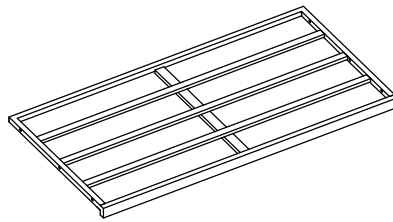


Hardware

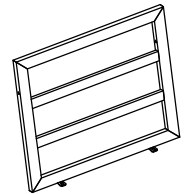
## ● ( Box 2-2 )



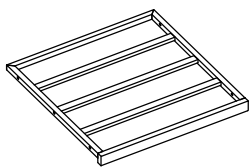
**C** Back Bench Frame ( 1Pc )



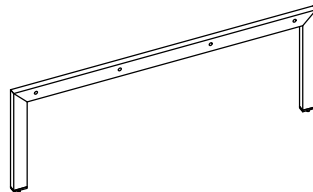
**D** Seat Bench Frame ( 1Pc )



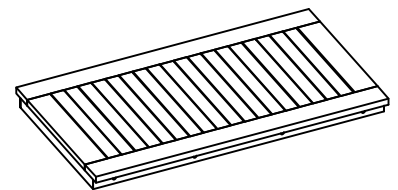
**E** Back Chair Frame ( 2 Pcs )



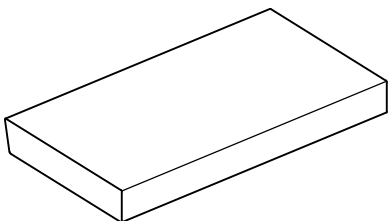
**F** Seat Chair Frame ( 2Pcs )



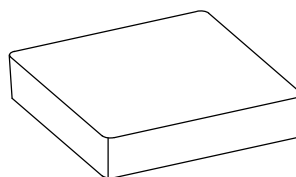
**G** Table Leg ( 2Pcs )



**H** Table Top ( 1Pc )



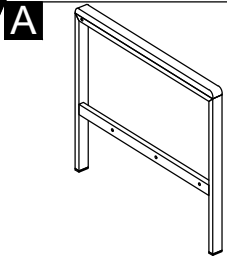
**I** Seat Bench Cushion ( 1Pc )



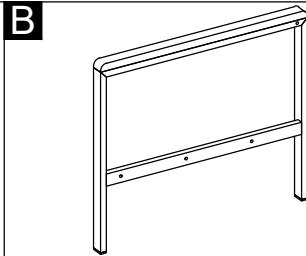
**J** Seat Chair Cushion ( 2Pcs )

# Parts List And Hardware List

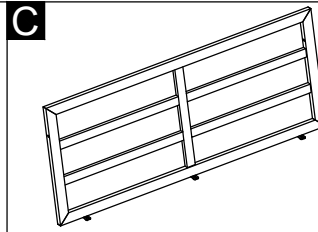
Check and make sure you get the components on the list, contact us for any missing



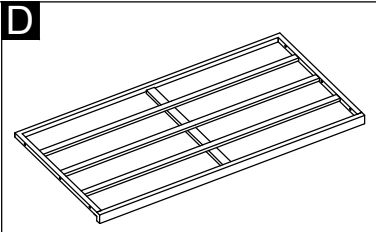
**A** Left Armrest ( 3Pcs )



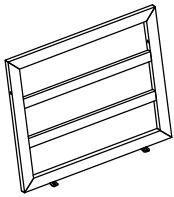
**B** Right Armrest ( 3Pcs )



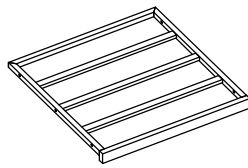
**C** Back Bench Frame ( 1Pc )



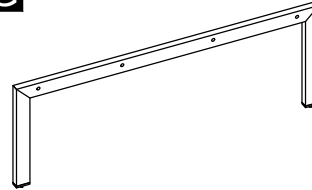
**D** Seat Bench Frame ( 1Pc )



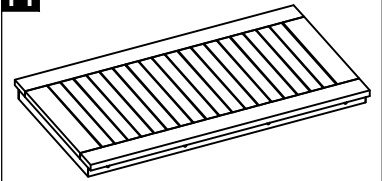
**E** Back Chair Frame ( 2Pcs )



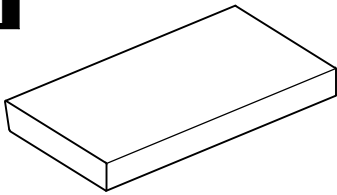
**F** Seat Chair Frame ( 2Pcs )



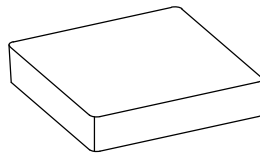
**G** Table Leg ( 2Pcs )



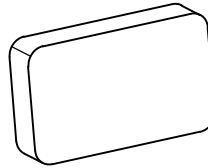
**H** Table Top ( 1Pc )



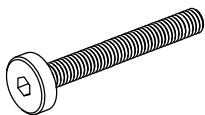
**I** Seat Bench Cushion ( 1Pc )



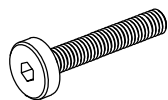
**J** Seat Chair Cushion ( 2Pcs )



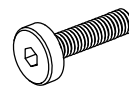
**K** Back Cushion ( 4Pcs )



**1** Allen Bolt M6x55mm  
( 6Pcs )



**2** Allen Bolt M6x35mm  
( 18Pcs )



**3** Allen Bolt M6x25mm  
( 8Pcs )



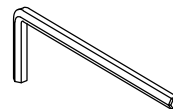
**4** Allen Bolt M6x20mm  
( 7Pcs )



**5** Washer ( 39Pcs )



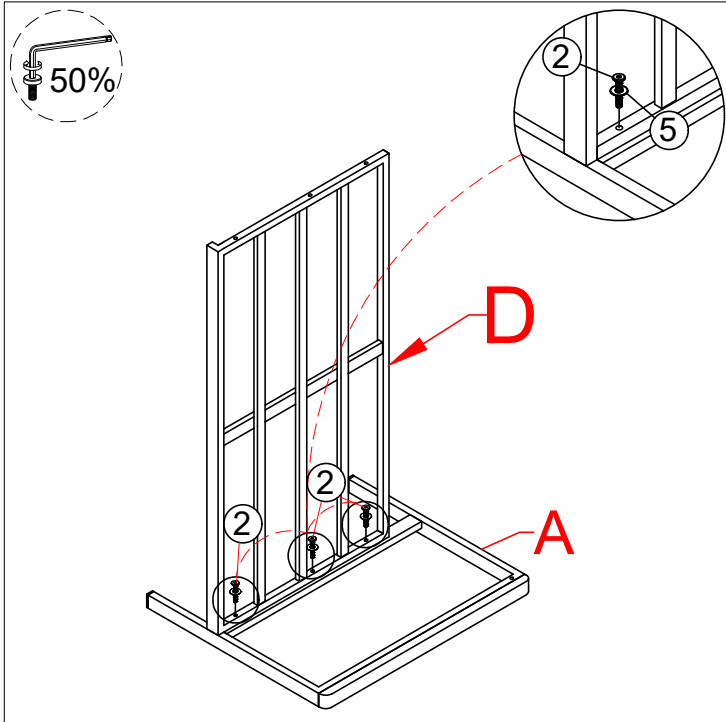
**6** Cover Nut M6 ( 6Pcs )



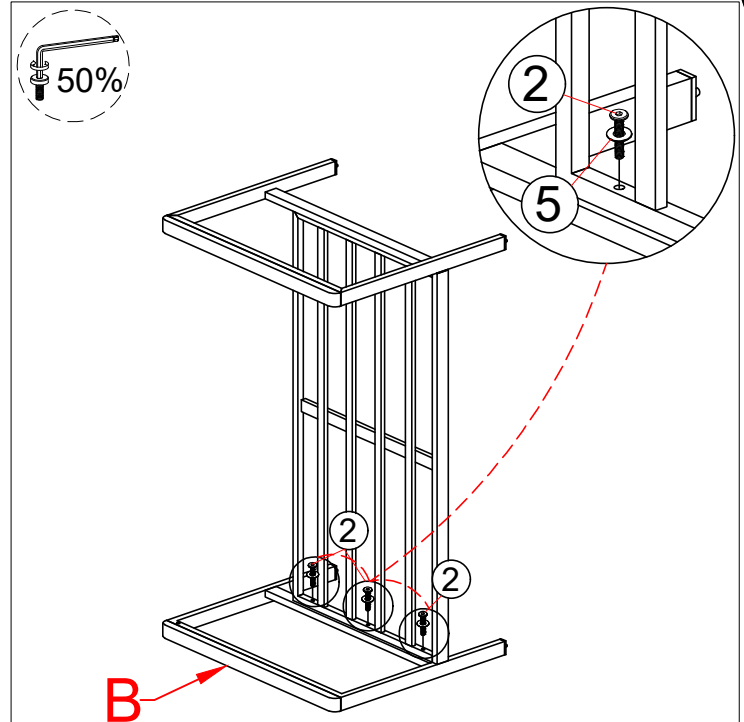
**7** Allen Key ( 2Pcs )

# Installation step

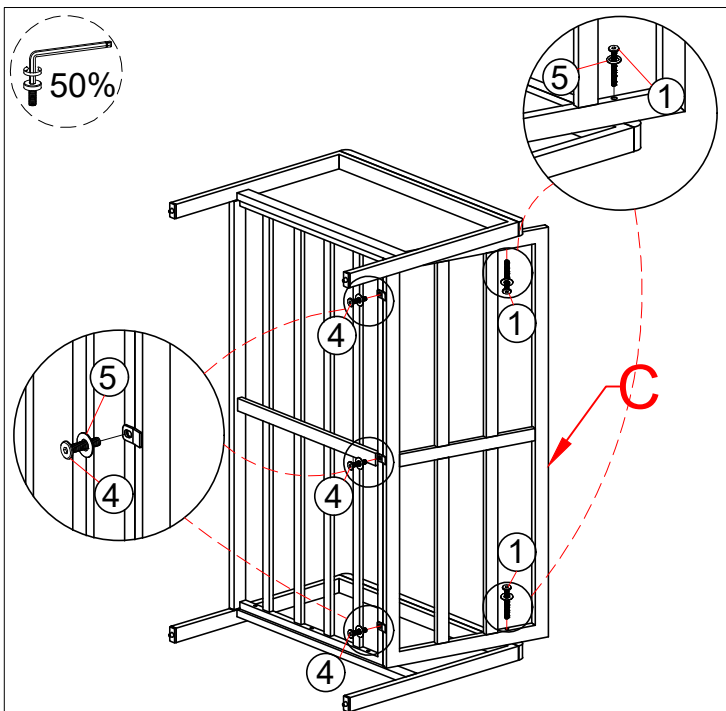
For successful installation, When installing, please do not tighten the screws once, when the screws are all installed, a unified tightten all the screws



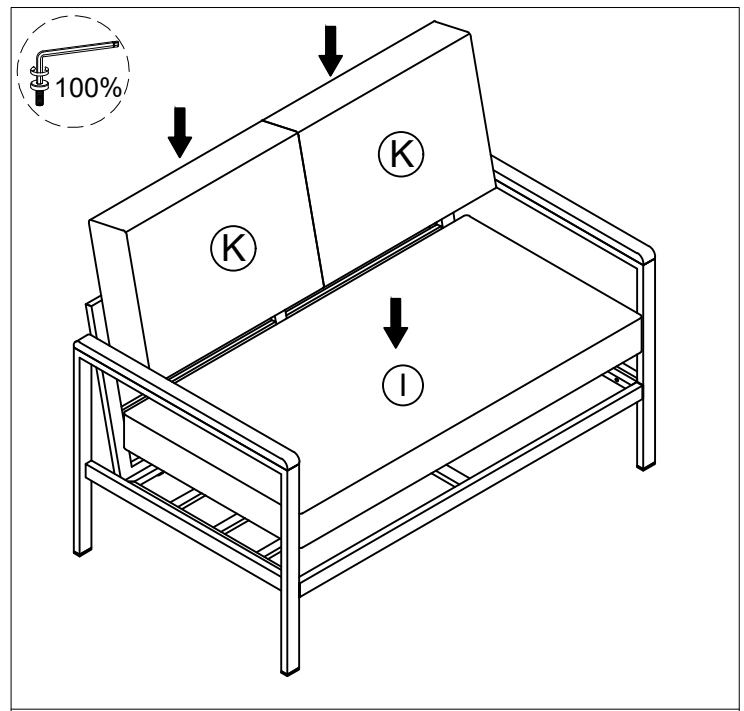
Step 1: Connect Seat Bench Frame (D) & Left Armrest (A),tighten Bolt (2), Flat Washer (5) with Allen Key (7).



Step 2: Connect The Part from Step 1 & Right Armrest (B), tighten Bolt (2), Flat Washer (5) with Allen Key (7).



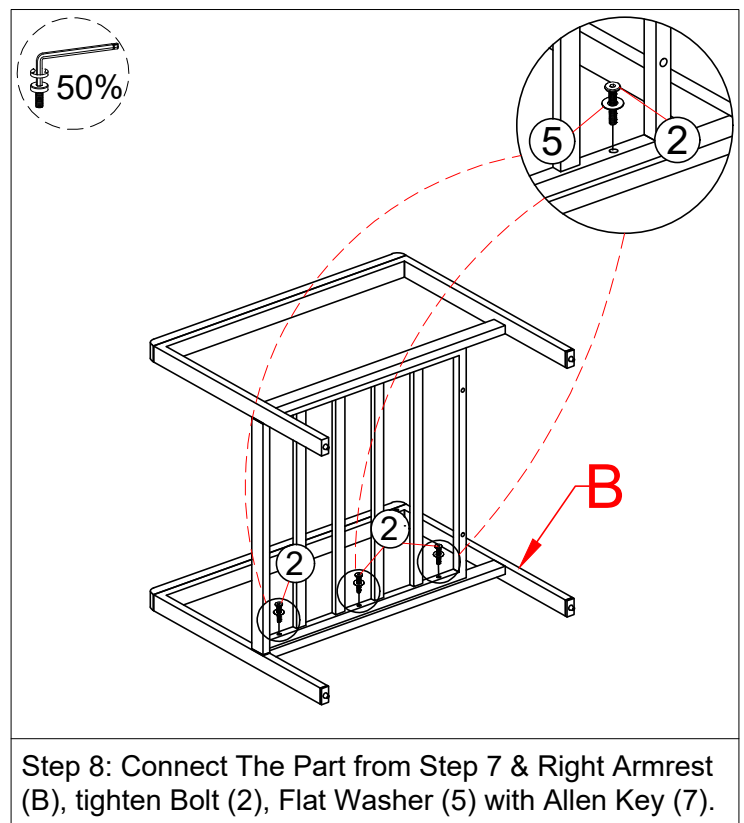
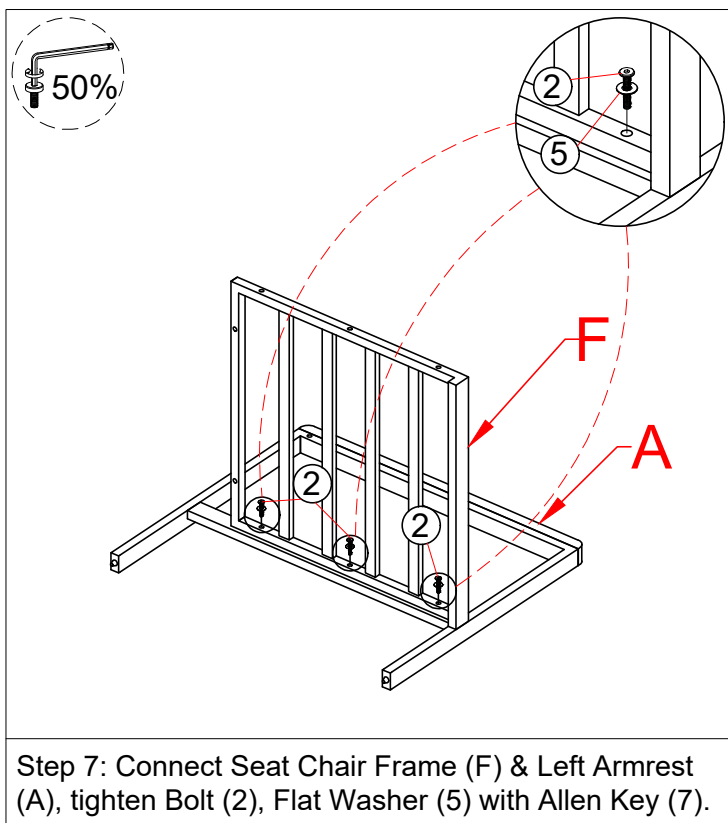
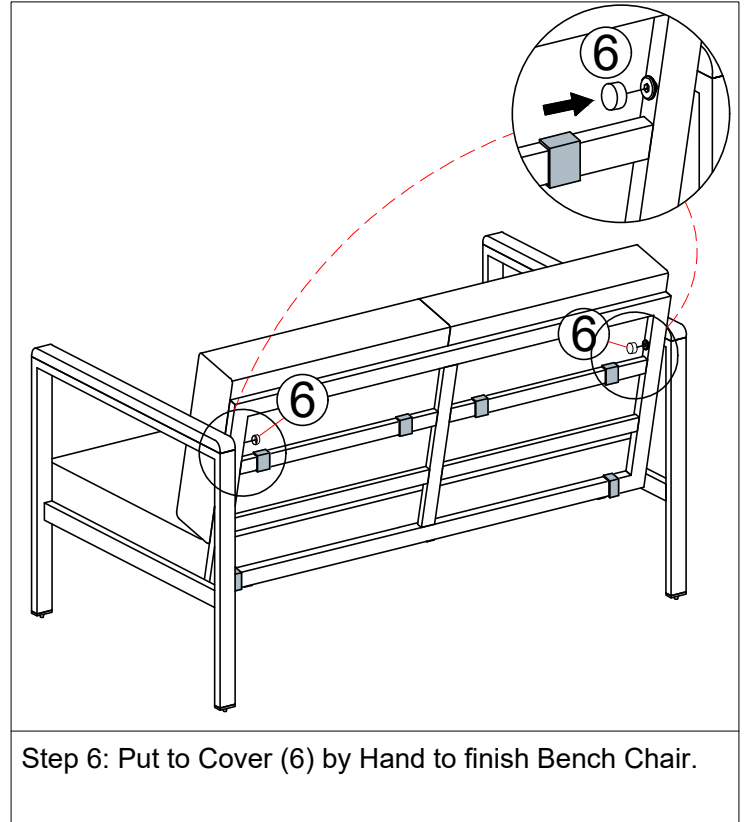
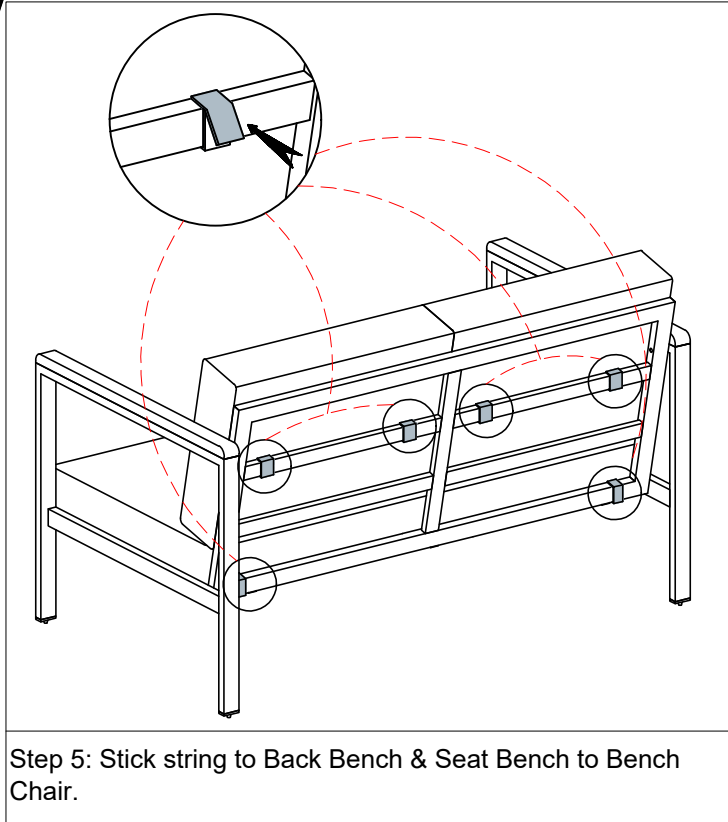
Step 3: Connect The Part from Step 2 & Back Bench Frame (C) tighten Bolt (1),(4), Flat Washer (5) with Allen Key (7).



Step 4: Put the Bench Chair upright and make sure all legs are level, then firmly tighten Bolts with Allen Key (7), Put on Seat bench Cushion (I) & Back Cushion (K).

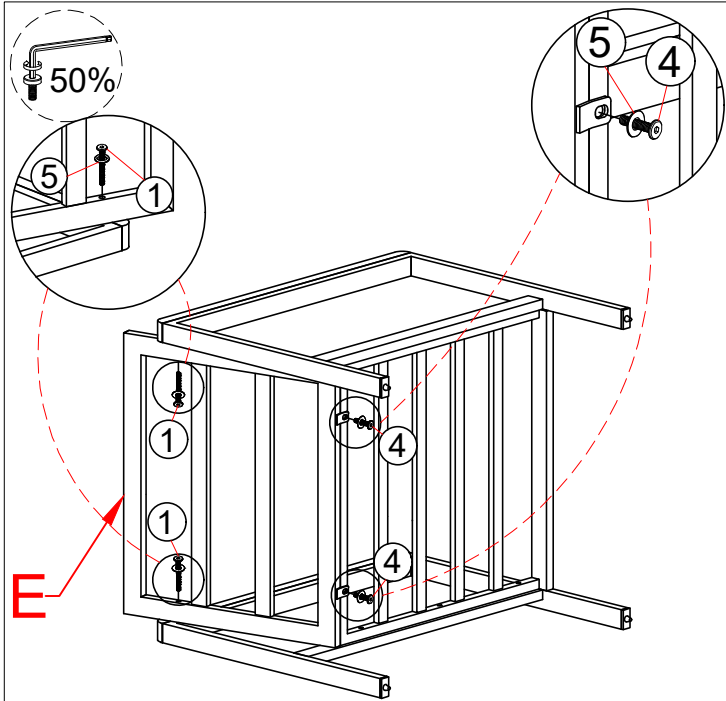
# Installation step

For successful installation, When installing, please do not tighten the screws once, when the screws are all installed, a unified tightten all the screws

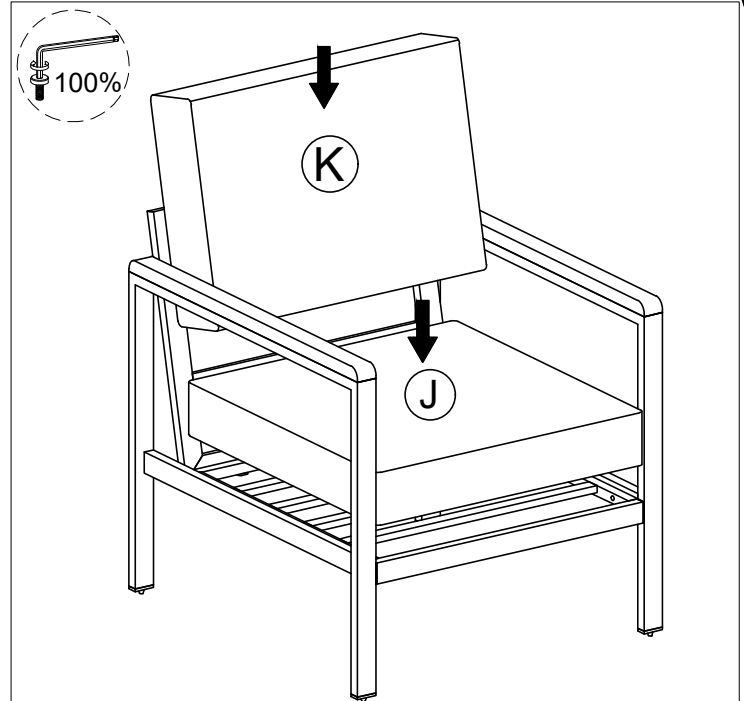


# Installation step

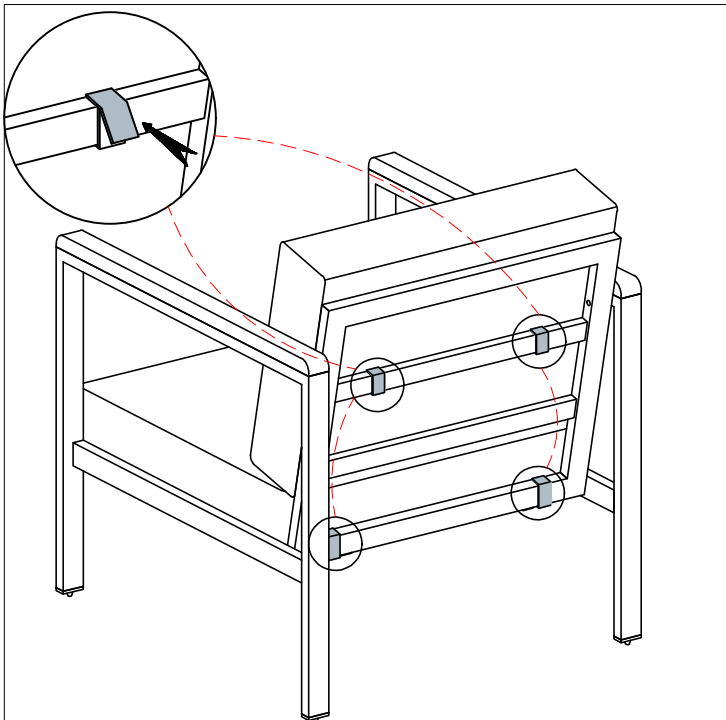
For successful installation, When installing, please do not tighten the screws once, when the screws are all installed, a unified tightten all the screws



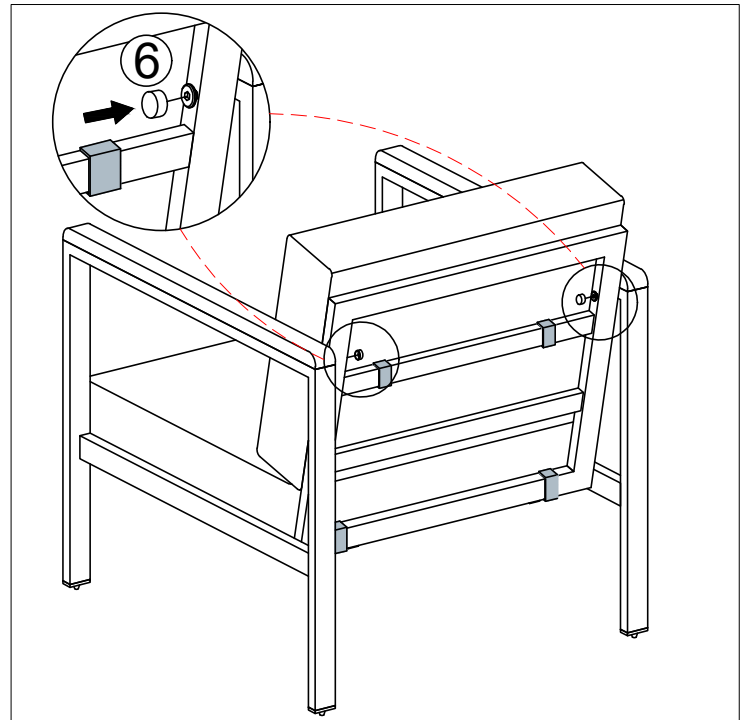
Step 9: Connect The Part from Step 8 & Back Chair Frame (E), tighten Bolt (1),(4), Flat Washer (5) with Allen Key (3).



Step 10: Put the Single Chair upright and make sure all legs are level, then firmly tighten Bolts with Allen Key (7), Put on Seat Chair Cushion (J) & Back Cushion (K)



Step 11: Stick string to Back Chair & Seat Chair to Single Chair.



Step 12: Put the Bench upright and Put to Cover (6) by Hand to finish Single Chair.

# Installation step

For successful installation, When installing, please do not tighten the screws once, when the screws are all installed, a unified tightten all the screws

