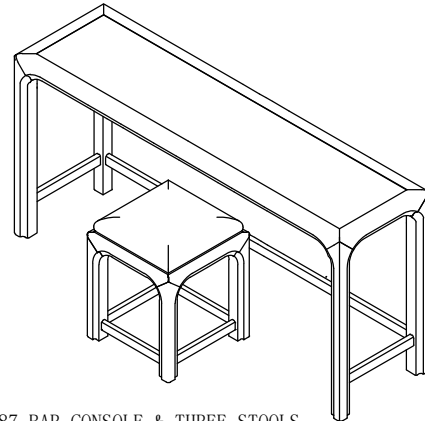


ASSEMBLY INSTRUCTIONS



052-587 BAR CONSOLE & THREE STOOLS

TOOLS REQUIRED:

Allen Wrench (Provided, Part D)

BEFORE YOU START:

1. Check the hardware against the hardware list to make sure all items are present.
2. Assemble your furniture on a soft, flat surface to avoid scratching the finish.
3. **CAUTION:** Do not over tighten screws, nuts or bolts during assembly.
4. Your furniture may require occasional tightening.

INSTRUCTIONS:

1. Turn the table/ stool on to a clean soft surface.
2. Attach stretchers to four legs using screw (E). Do the same with the stool. As Shown in Figure 1.
3. Attach four legs to top using Bolt (C), Lock Washer (B) and Flat Washer (A) and tighten with the Allen Wrench (D). As Shown in Figure 1.
3. Attach shelf to three legs using Bolt (C), Lock Washer (B) and Flat Washer (A) and tighten with the Allen Wrench (D). As Shown in Figure 2.
4. Tighten all bolts before setting table back upright.

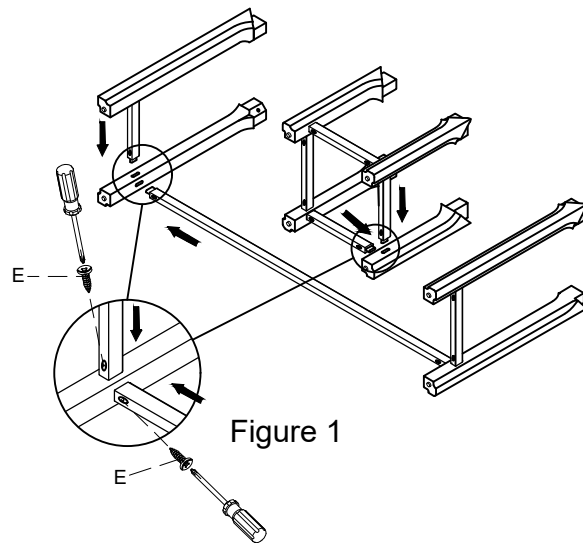


Figure 1

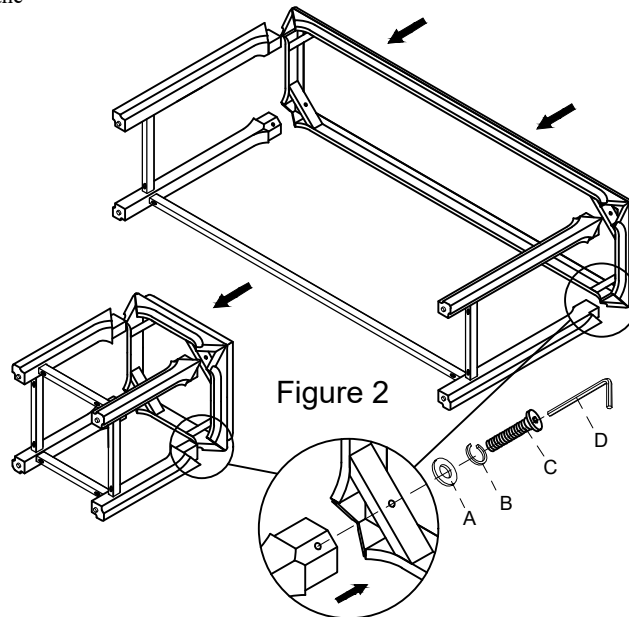


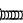




Figure 2

052-690

| HARDWARE LIST | | | |
|---------------|---|-----------------------|-------|
| A |  | Flat Washer (Ø5/16") | 16pcs |
| B |  | Lock Washer (Ø5/16") | 16pcs |
| C |  | Bolt (Ø5/16"x2") | 16pcs |
| D |  | Allen Wrench | 1pcs |
| E |  | Screw | 30pcs |