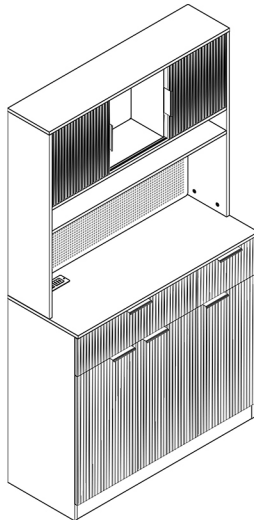
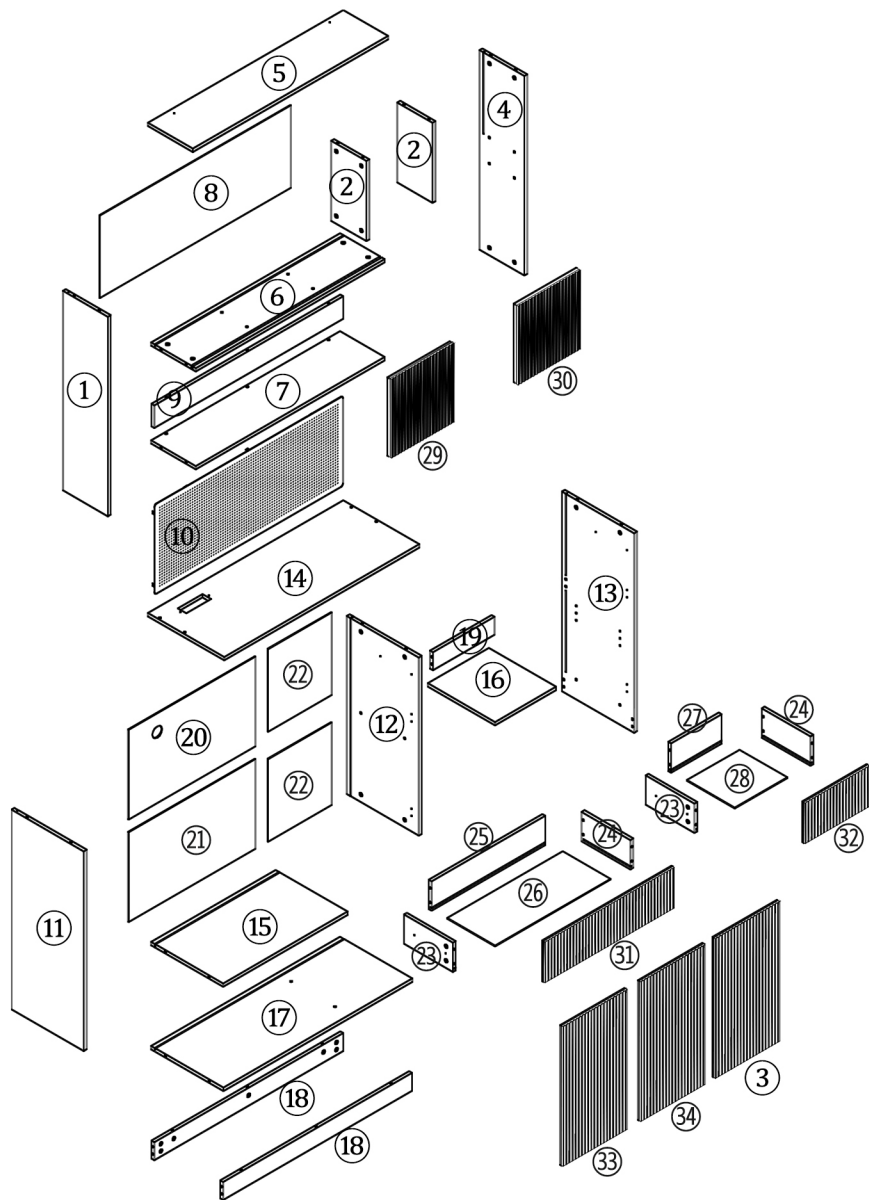




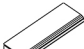









ASSEMBLY INSTRUCTION

- Please follow the instructions to assemble the items correctly.
- Please ensure the safety of the glass when assembling.
- Do not make the screws too loose or too tight.
- As shown in the figure, Insert the screw into the hole.
The arrow in the picture, Then rotate 90° or 180° clockwise.
- The accessory bag contains some small accessories, which should be kept away from children.
- The remaining parts are spare parts.
- Warm reminder white backboard please install the white side inward
- The operating instruction of RGB light is included in the package , please read it carefully when assembling

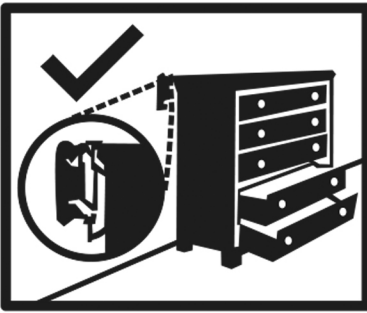
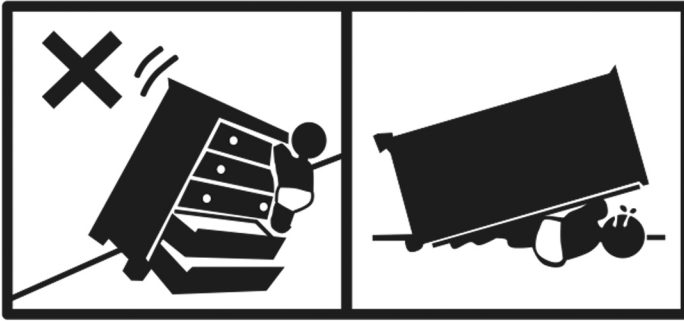




A  80pcs	B  80pcs	C  3.5*14 130pcs	D  6pcs	F  7pcs	G2  4pcs	K  4pcs	R  1pcs	X  2pcs
Y  22pcs	AS  4pcs	AM  Decorative paper 40pcs						



WARNING



Children have died from furniture tip over. To reduce the risk of tip over:

- ALWAYS secure this furniture to the wall using an anti-tip device.
- NEVER allow children to stand, climb, or hang on drawers, doors or shelves.

Do not defeat or remove the drawer interlock system.

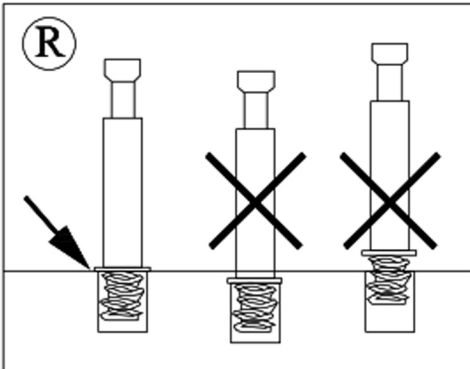
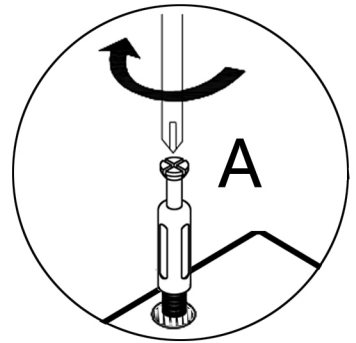
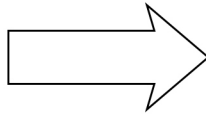
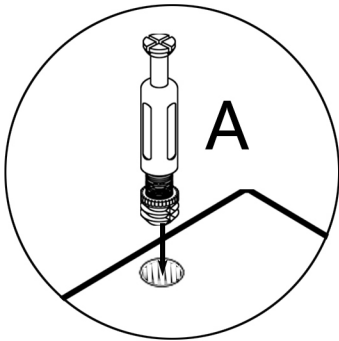
Place heaviest items in the lowest drawers.

NEVER put a TV on this furniture.



Hardware installation demonstration

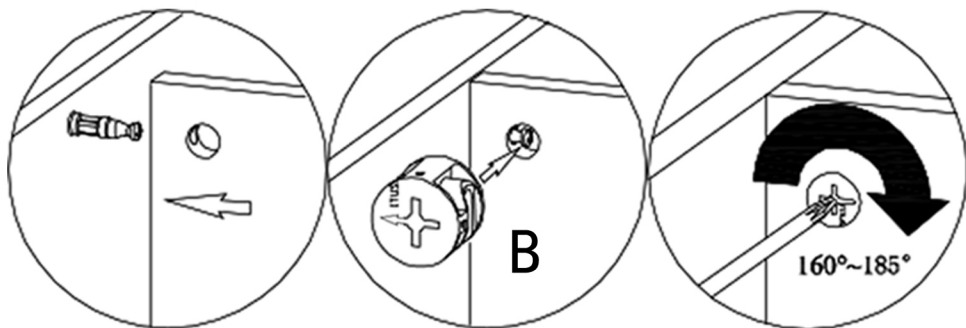
● Please make sure "A" hardware tightened and can't be pulled out





Hardware installation demonstration

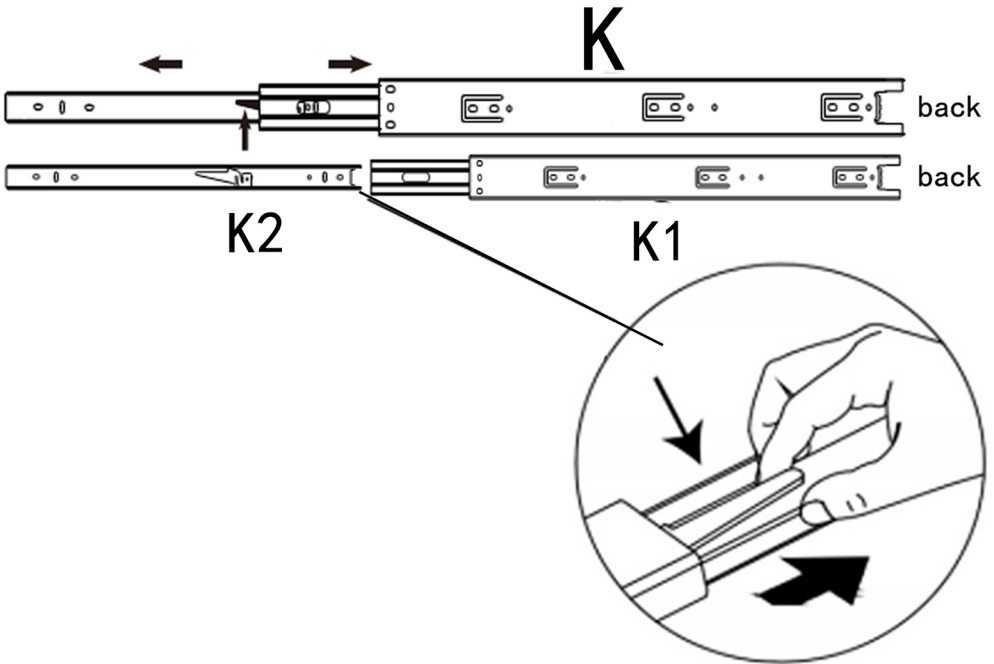
- When inserting cam ensure arrowhead on cam points toward to the hole on the panel edge





Hardware installation demonstration

- Before installing the drawer rail, you need to separate the K1 and K2 first.



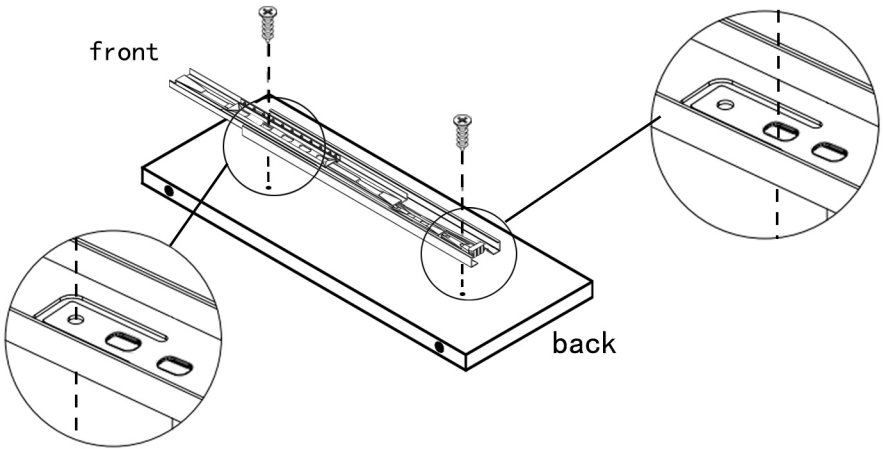
Warm Reminder: Press it and split



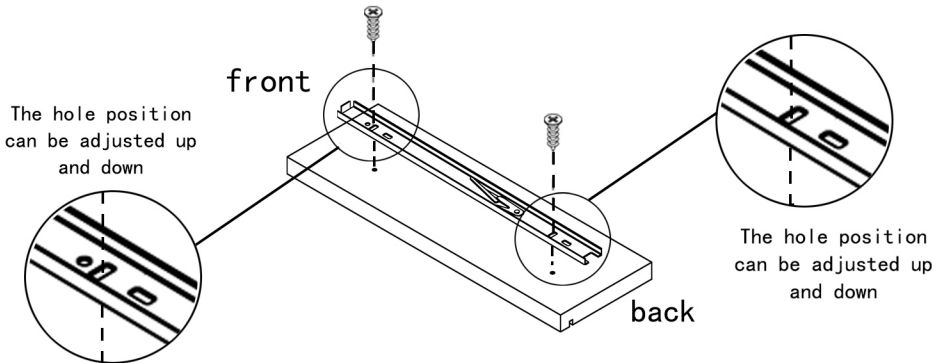
Hardware installation demonstration



The first screw hole should corresponded with the board location hole



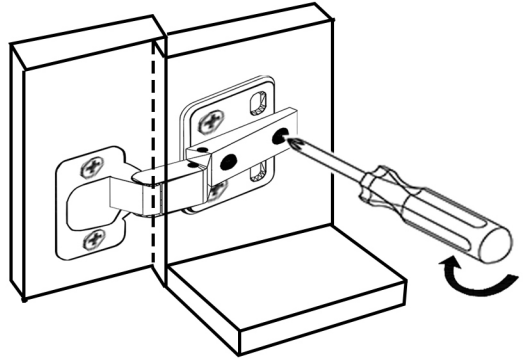
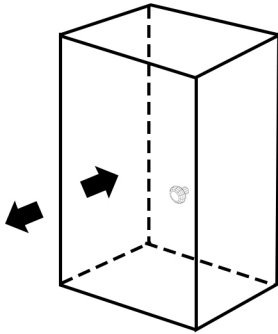
The first screw hole should corresponded with the board location hole





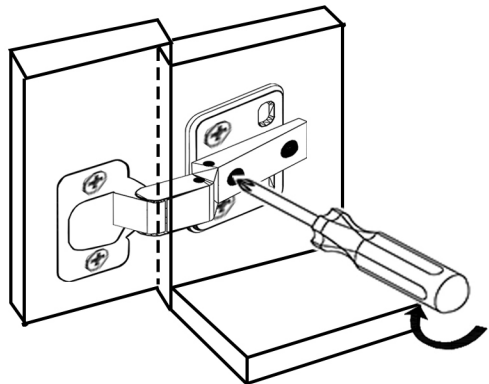
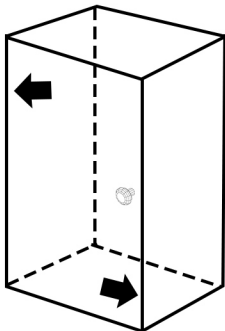
Hardware installation demonstration

Cabinet door front and rear adjustment



Adjusting screws can change the gap between the door panel and the cabinet side

Cabinet door left and right adjustment

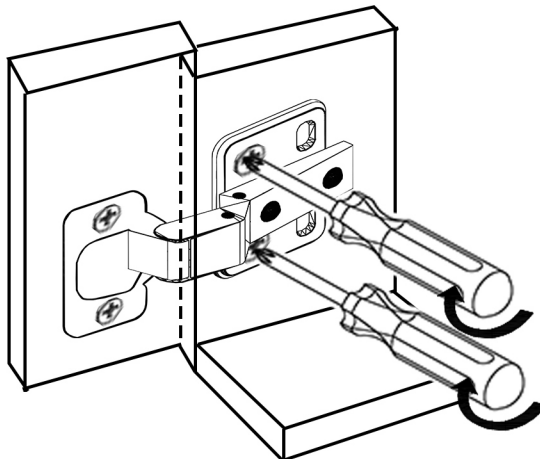
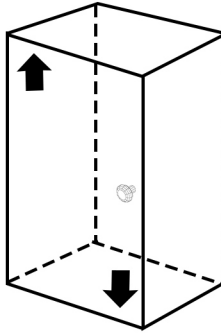


Adjusting screws can change the door panel relative to the cabinet next to the coverage



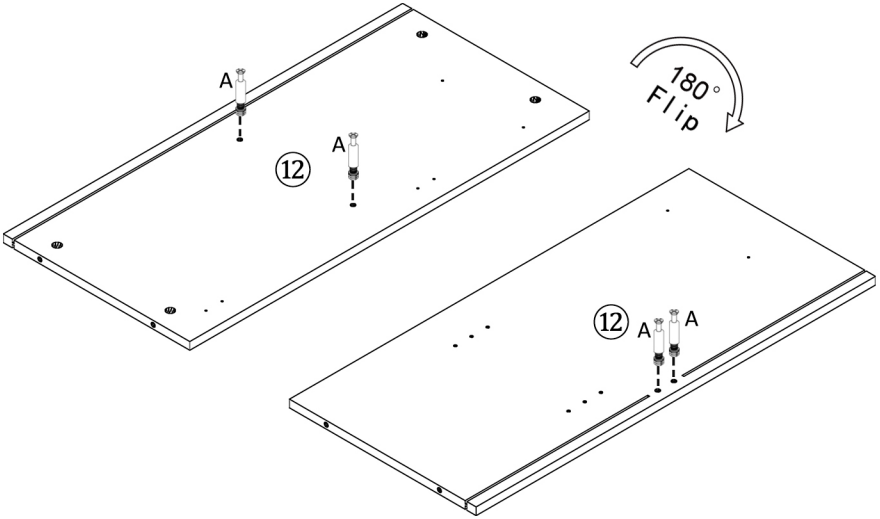
Hardware installation demonstration

Cabinet door up and down adjustment



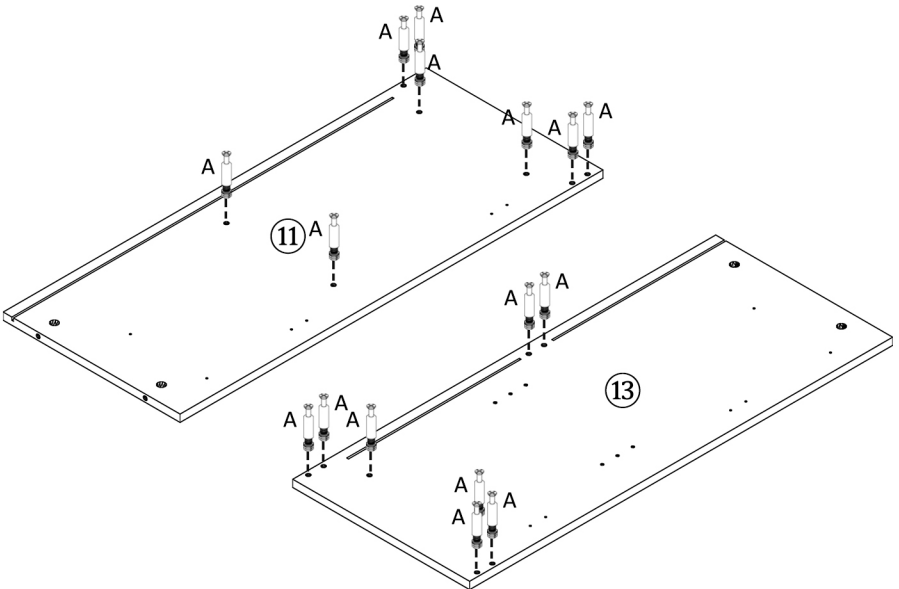
Adjusting screws can correct the upper and lower clearance of the door panel

STEP 1



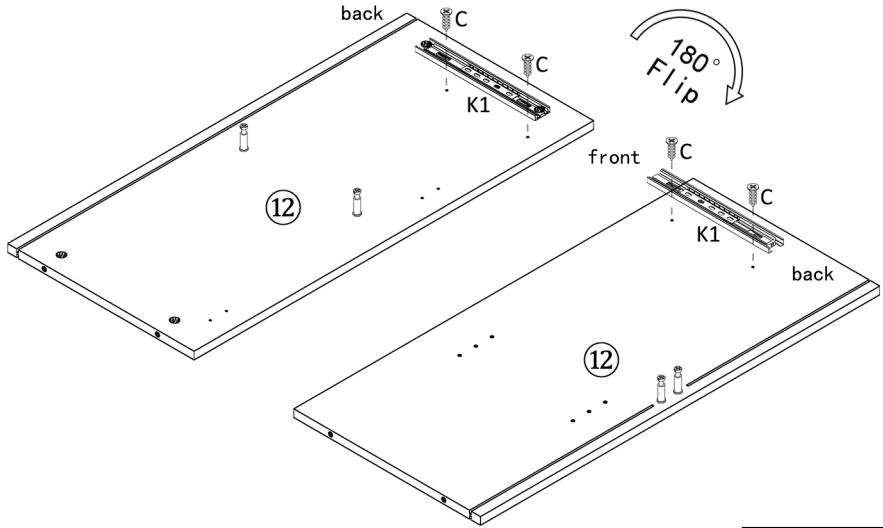
 A*4



STEP 2



 A*16

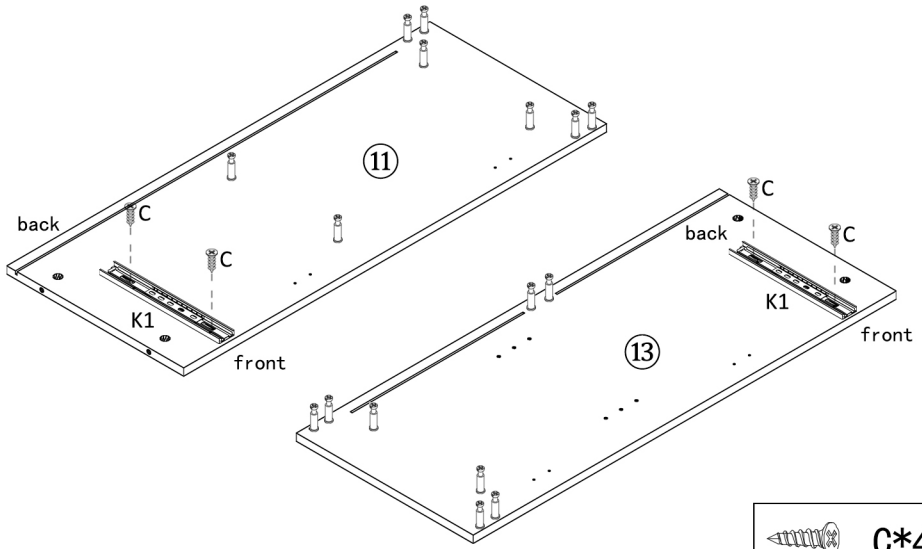
STEP 3





	C*4
	K1*2

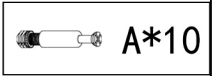
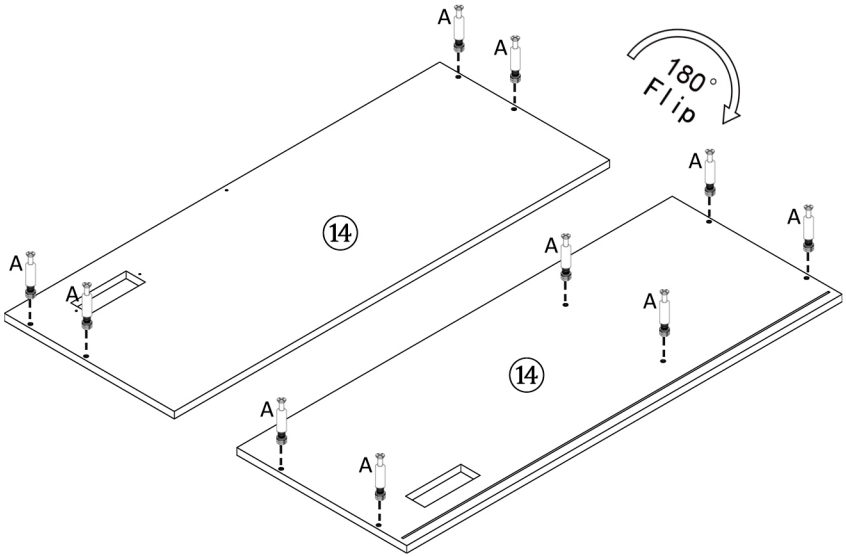
Notice: that the positioning holes of the slide rails on board #12 are different

STEP 4

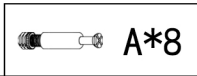
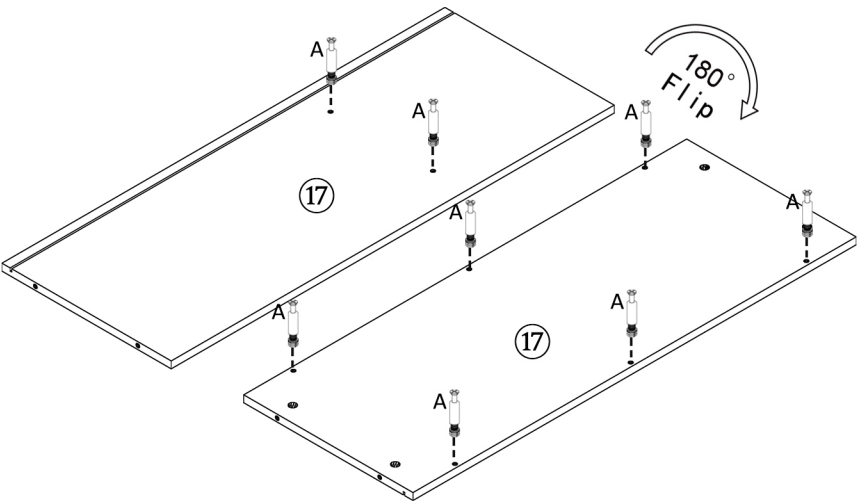


	C*4
	K1*2

STEP 5

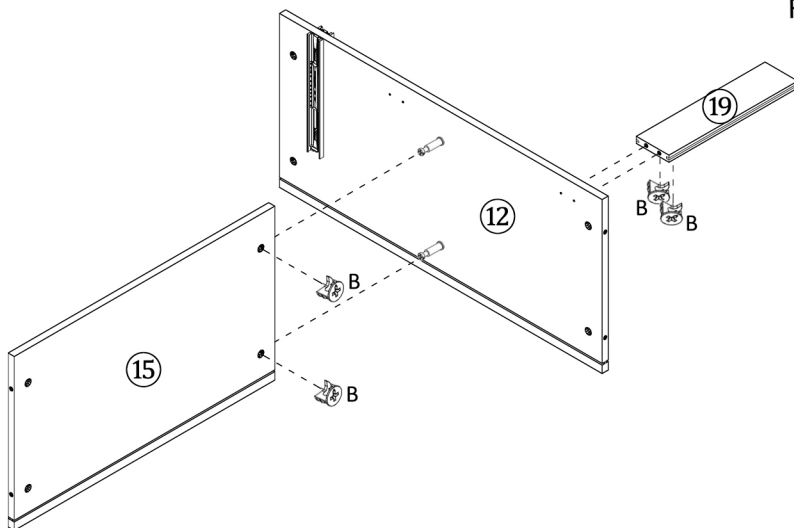


STEP 6



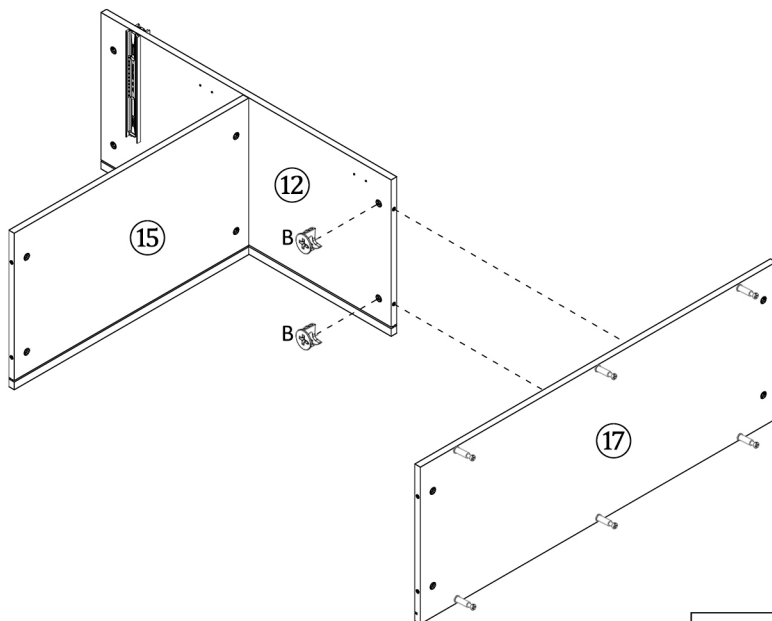
STEP 7

90°
Flip



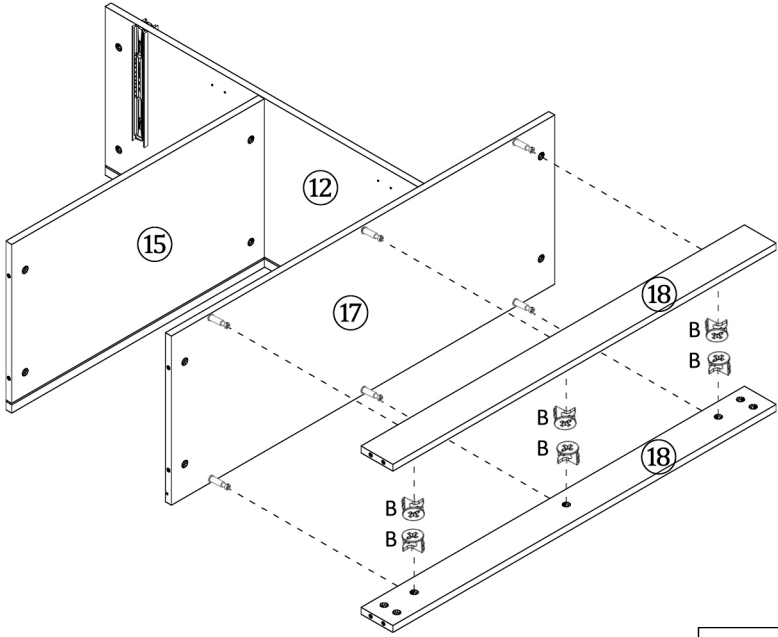
 B*4

STEP 8



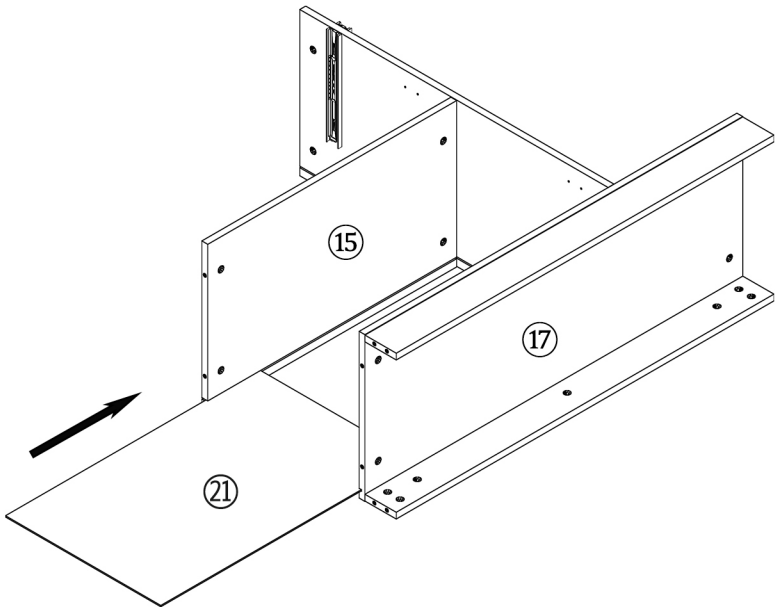
 B*2

STEP 9

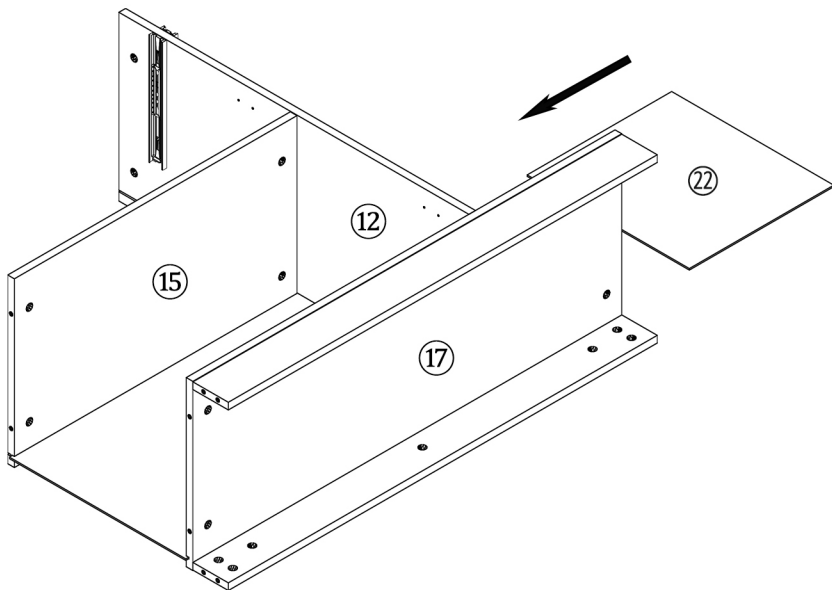


 B*6

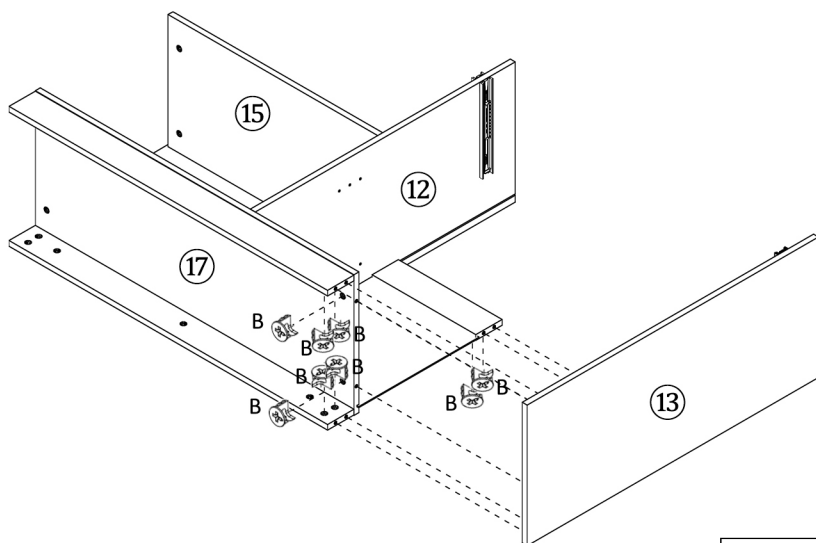
STEP 10



STEP 11

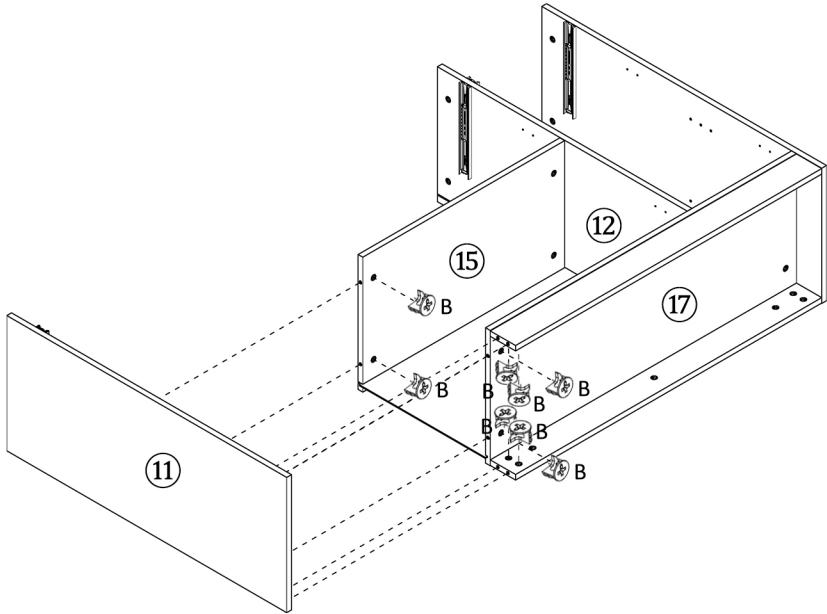


STEP 12



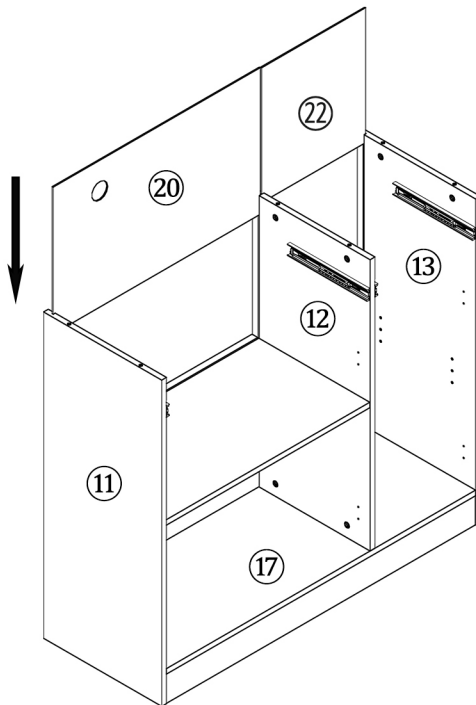
B*8


STEP 13



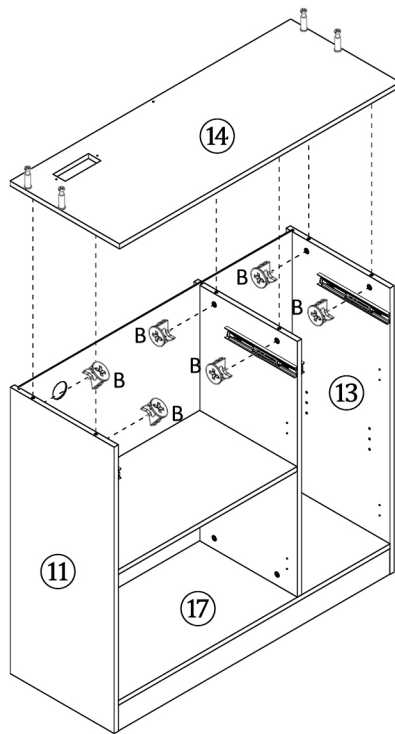
 B*8

STEP 14



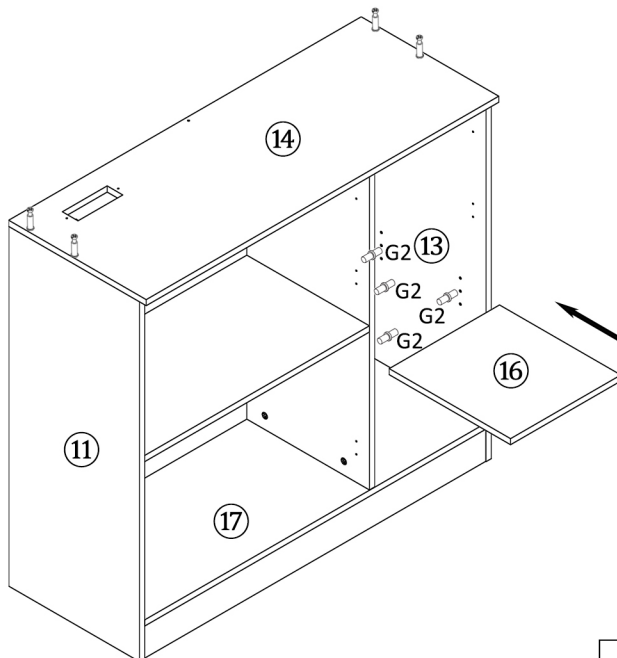
 90°
Flip

STEP 15



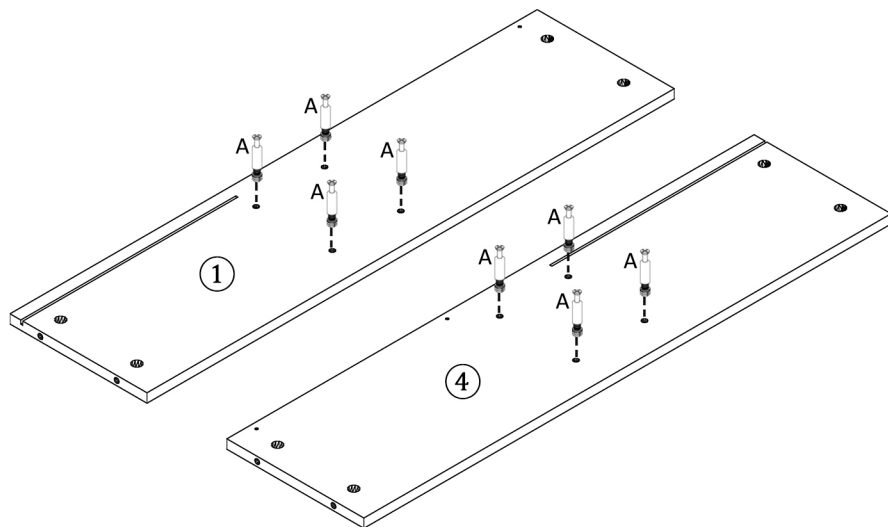
B*6

STEP 16

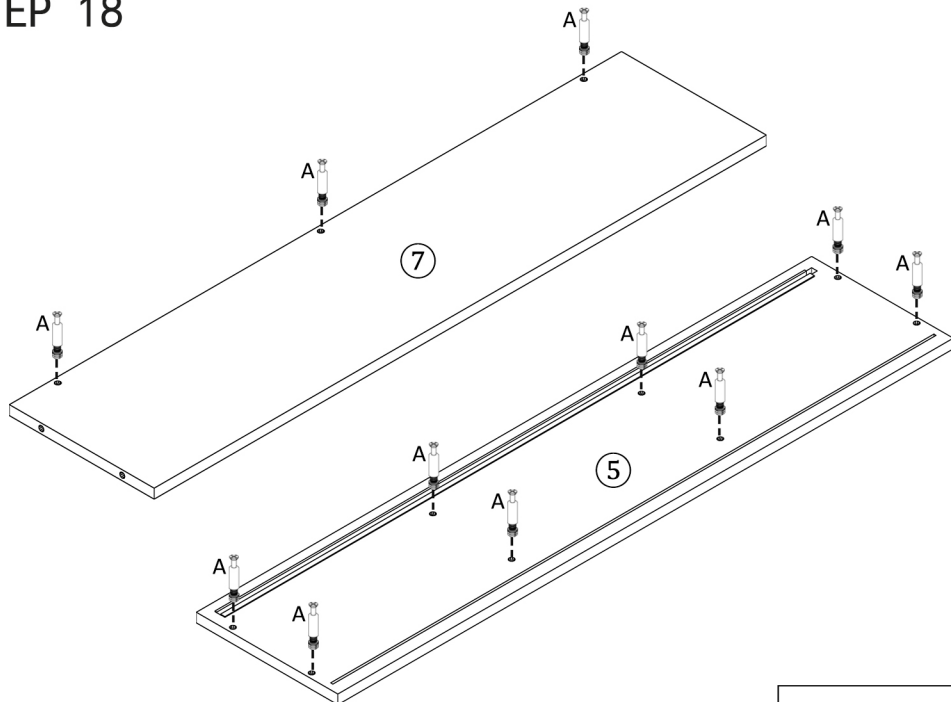


G2*4

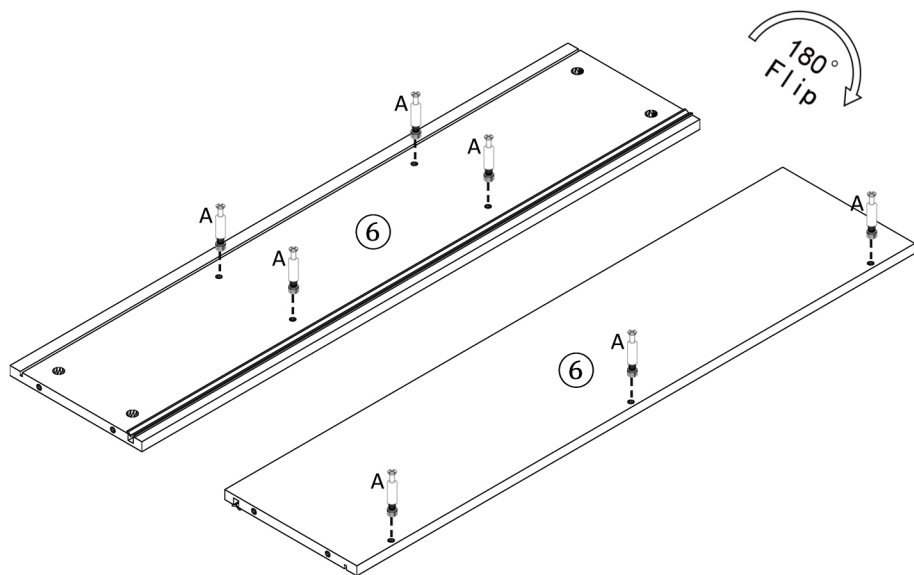
STEP 17



STEP 18

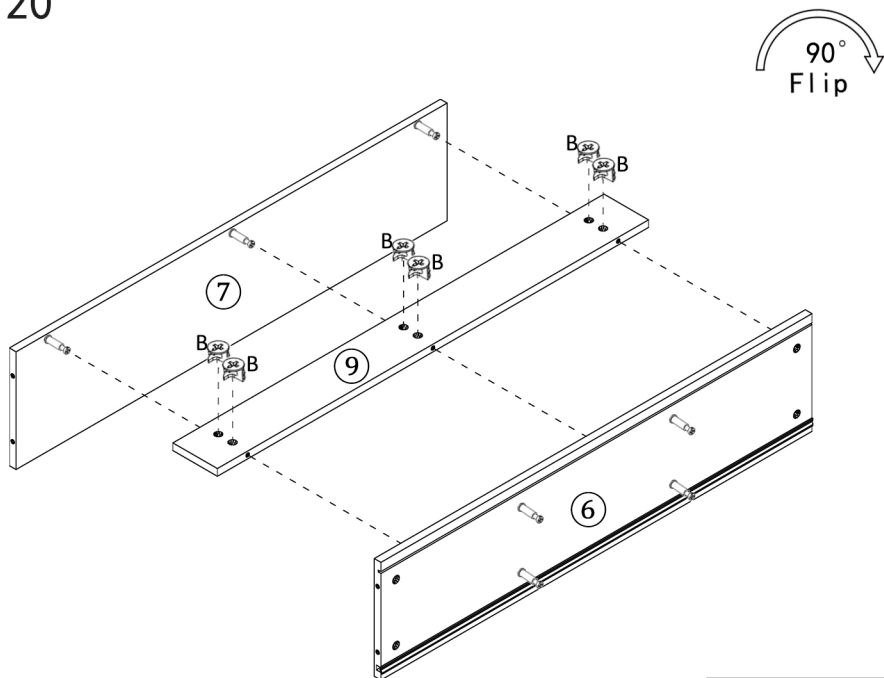


STEP 19



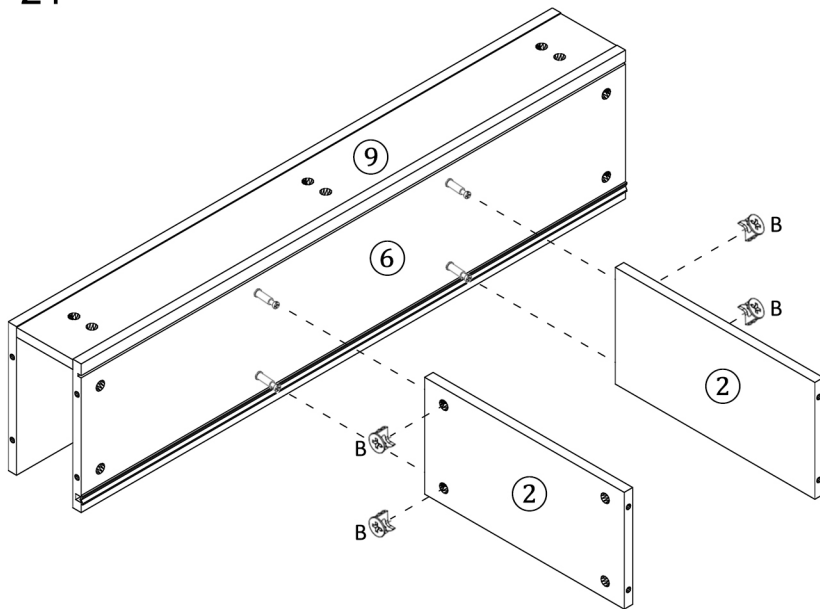
 A*7

STEP 20



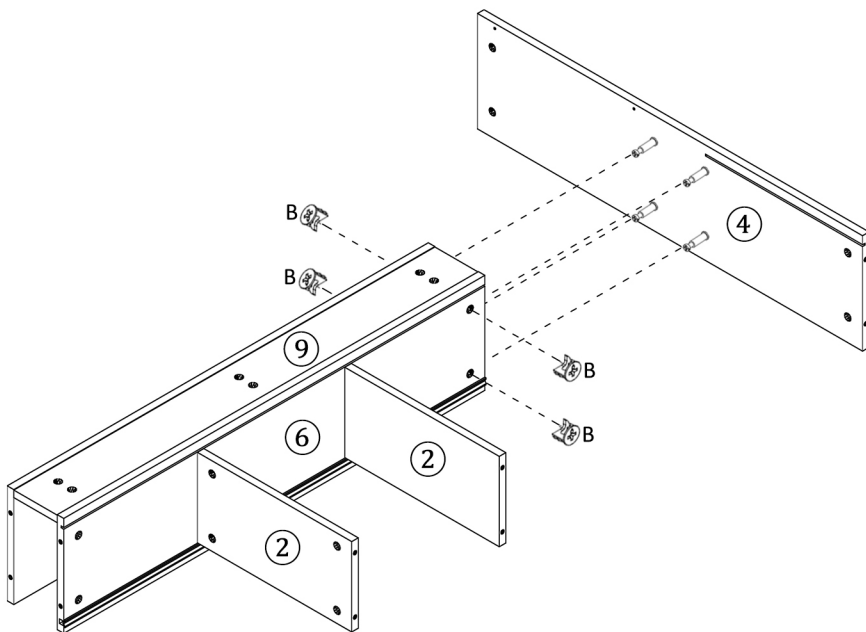
B*6

STEP 21



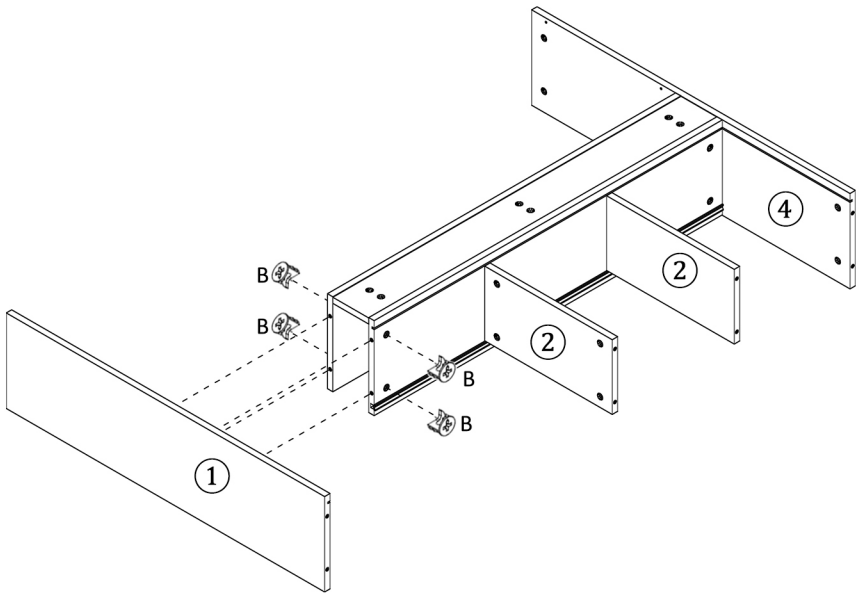
B*4

STEP 22



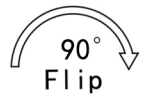
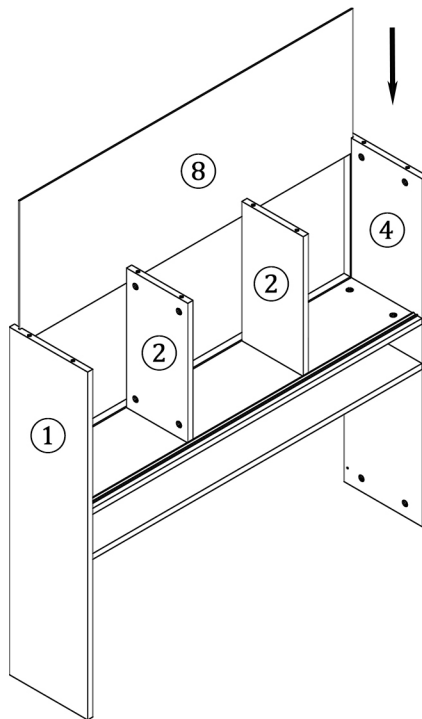
B*4

STEP 23

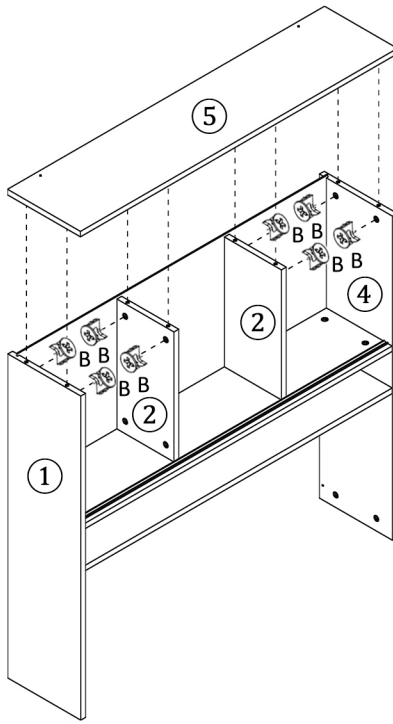


B*4

STEP 24

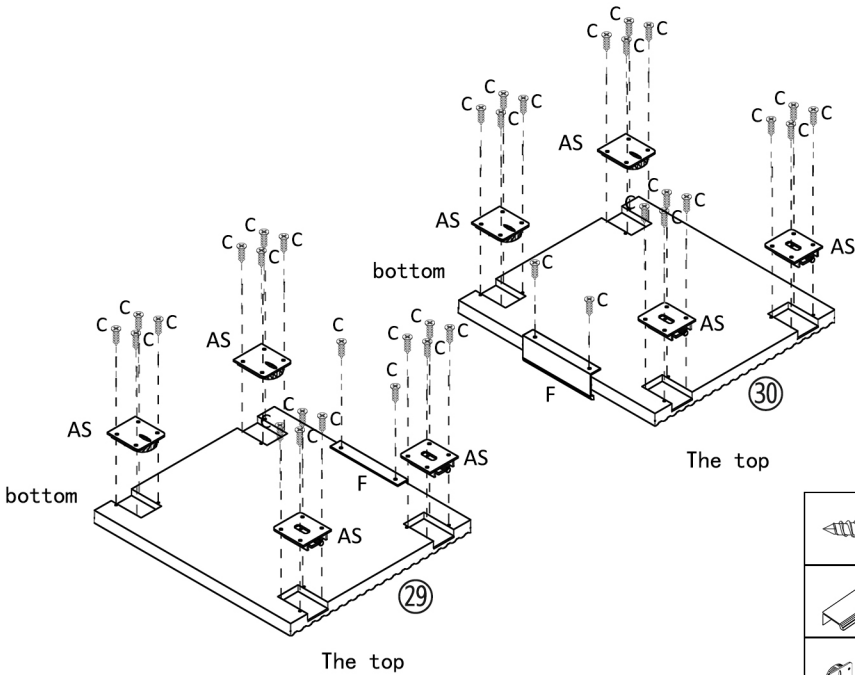


STEP 25



B*8

STEP 26



C*36

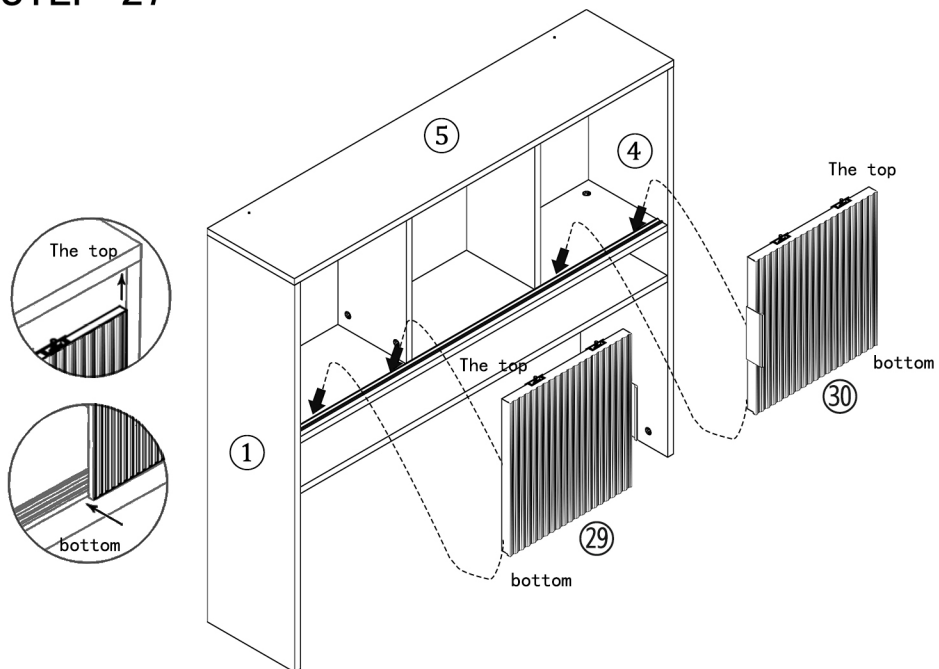


F*2

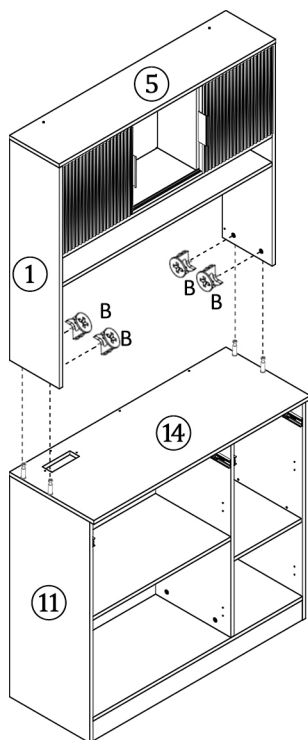


AS*4

STEP 27

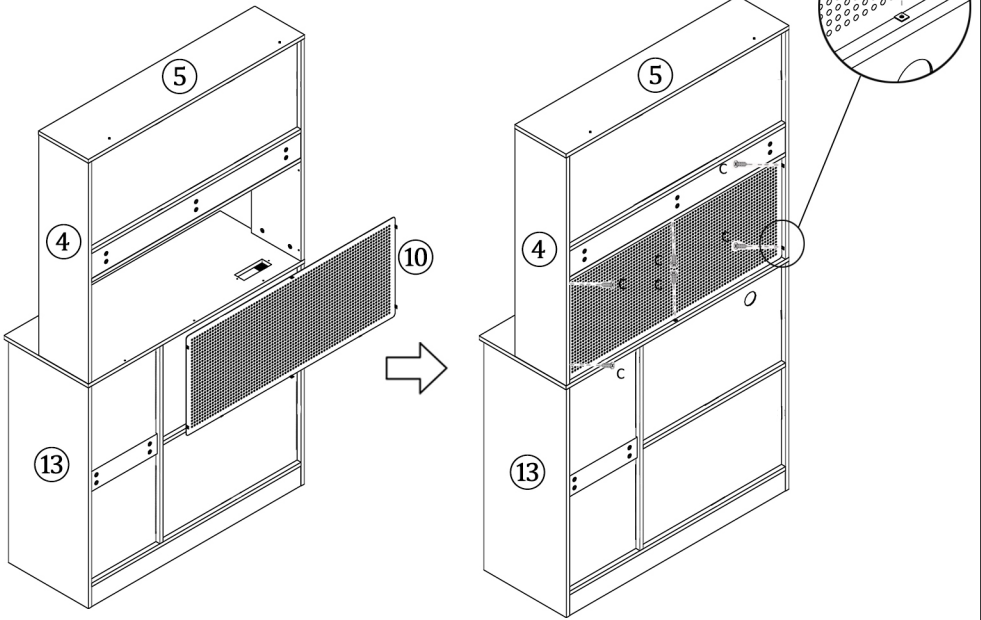


STEP 28



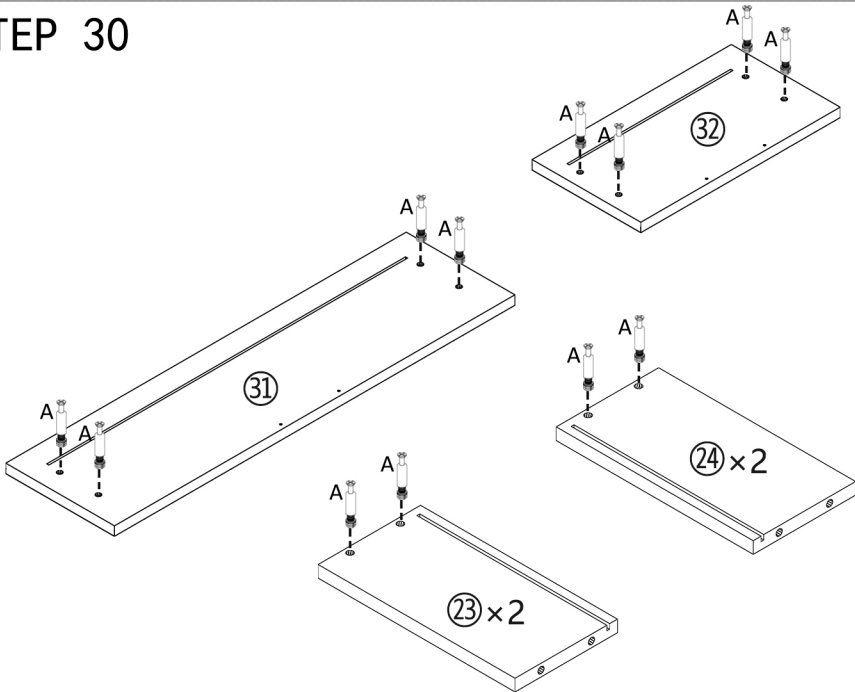
B*4

STEP 29



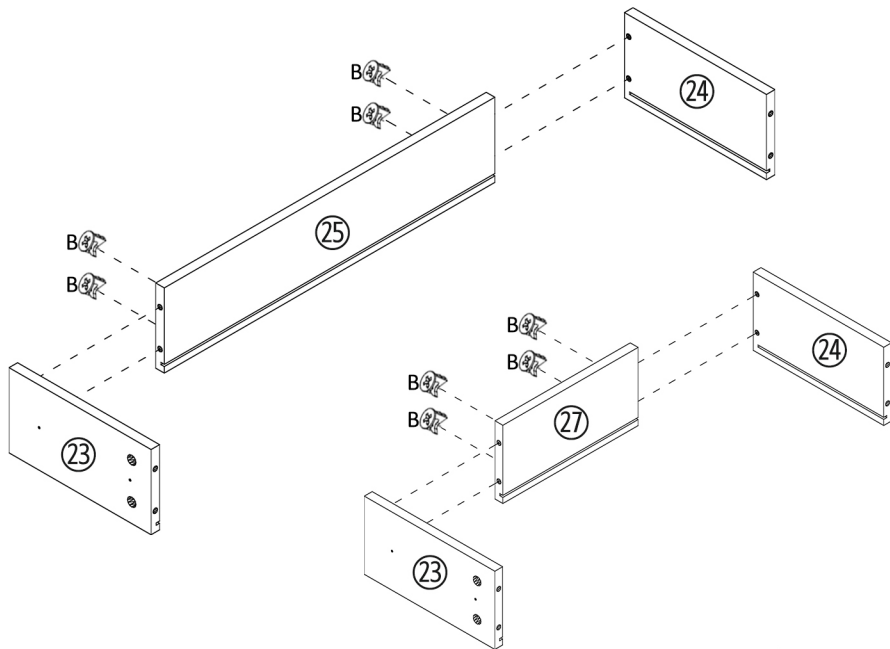
C*6

STEP 30



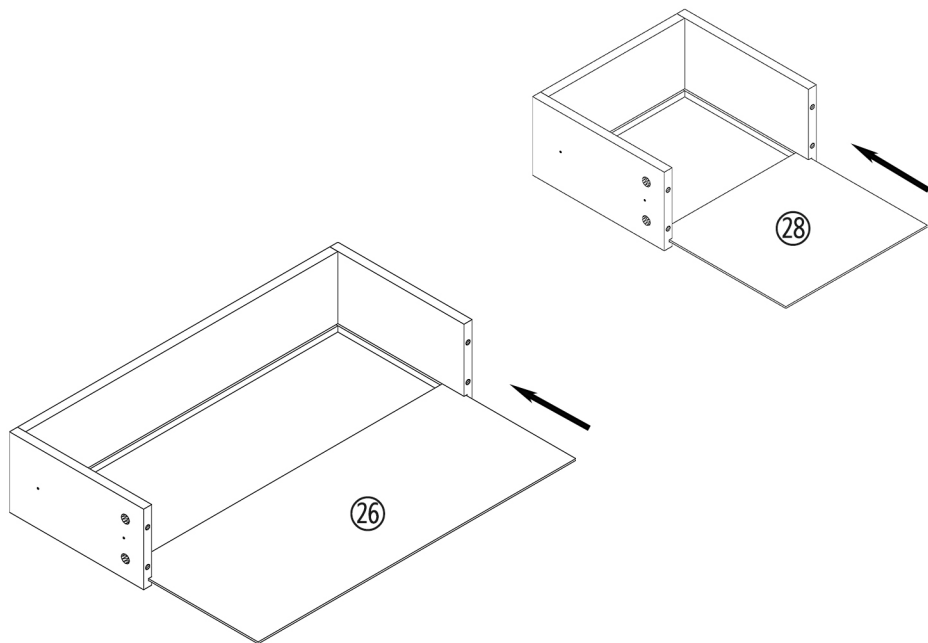
A*16

STEP 31

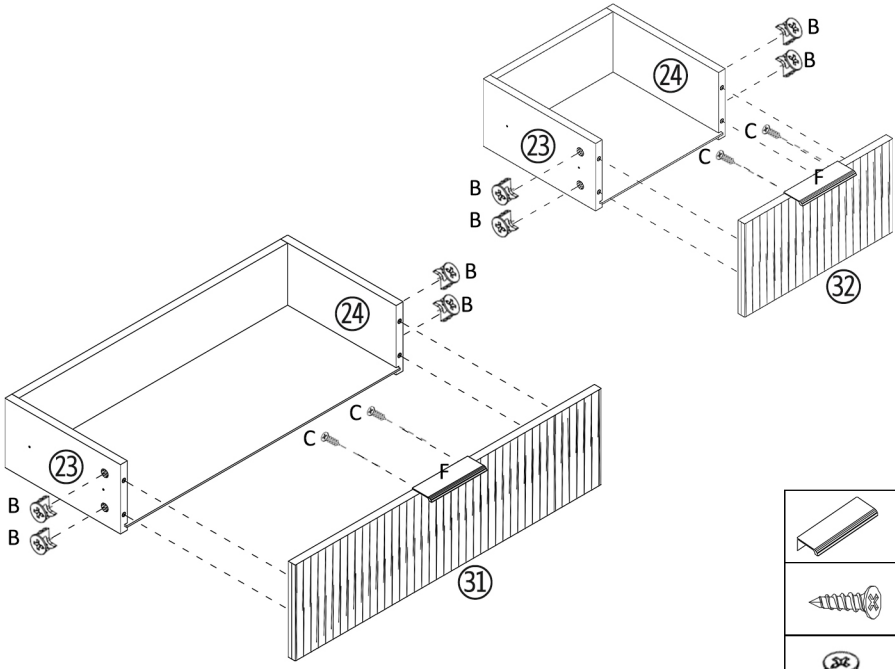


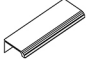


B*8

STEP 32

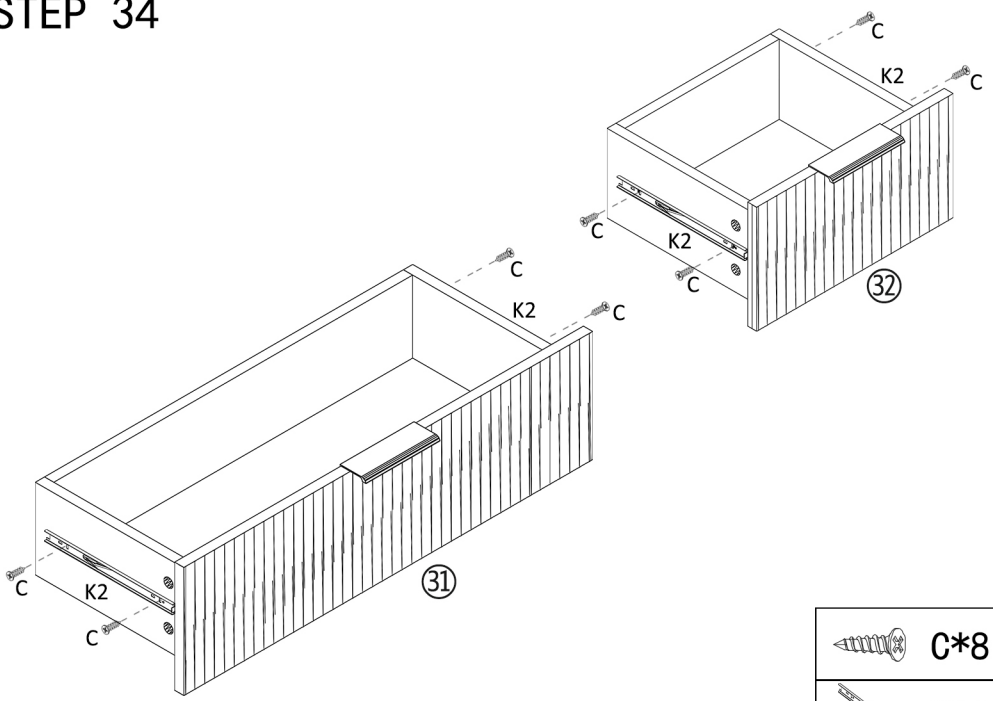




STEP 33



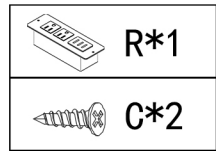
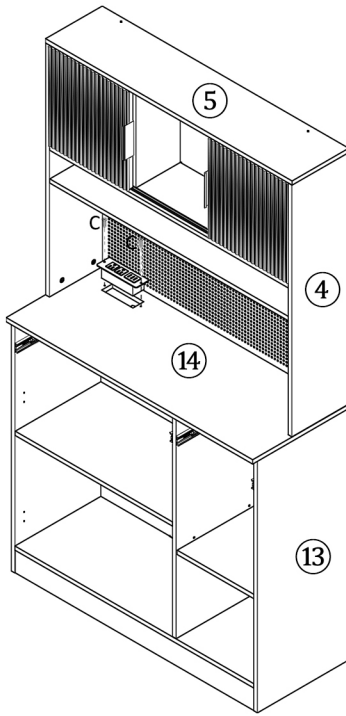
- | | |
|---|-----|
|  | F*2 |
|  | C*4 |
|  | B*8 |

STEP 34

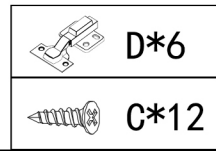
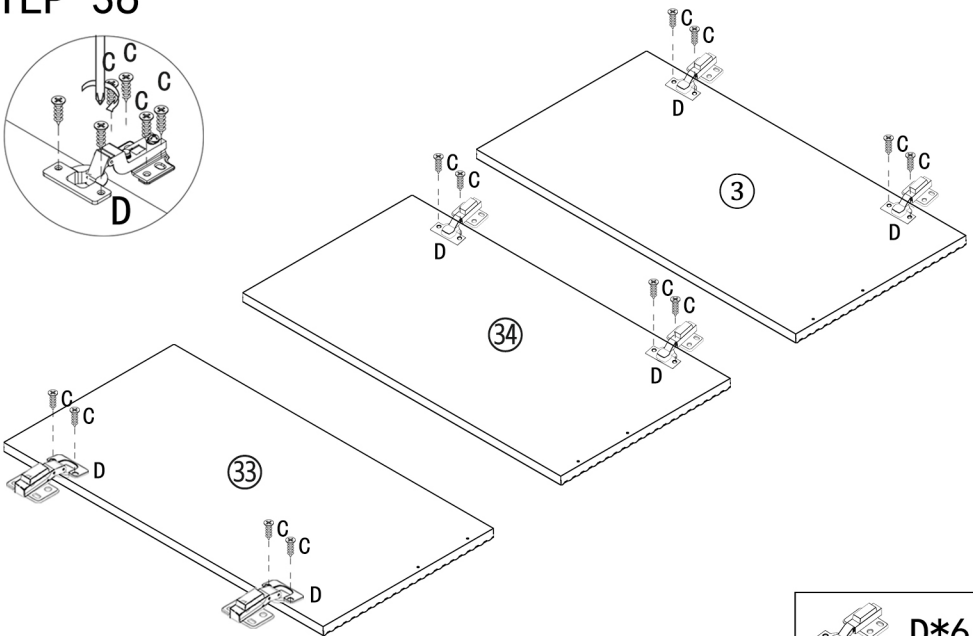
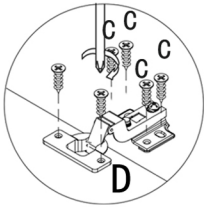


- | | |
|---|------|
|  | C*8 |
|  | K2*4 |

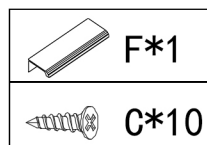
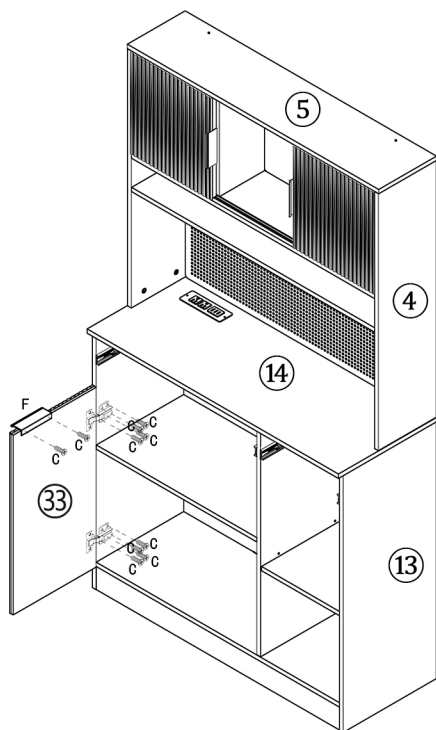
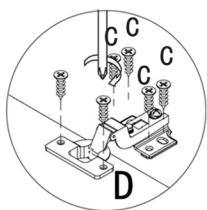
STEP 35



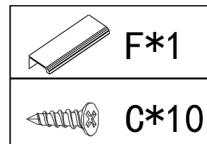
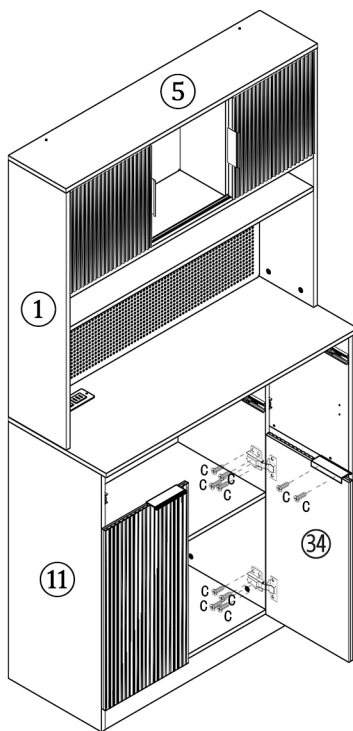
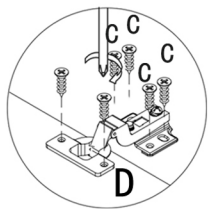
STEP 36



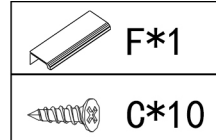
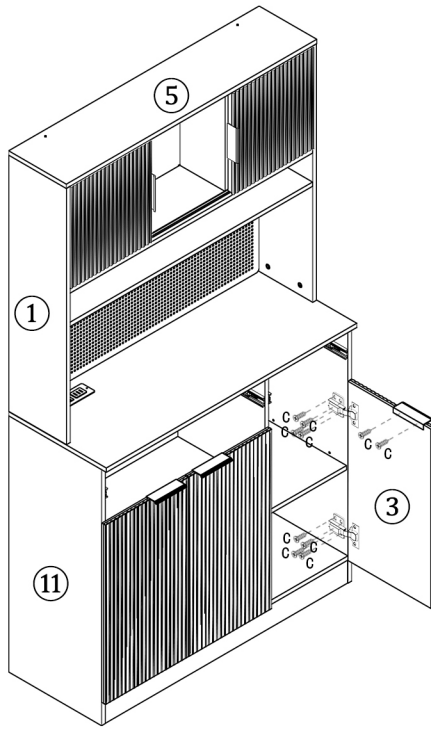
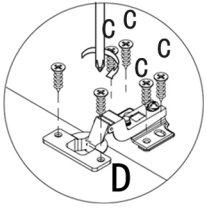
STEP 37



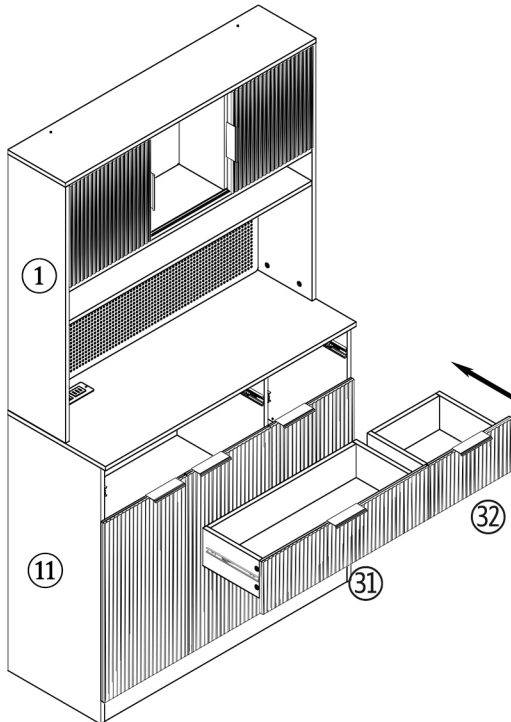
STEP 38



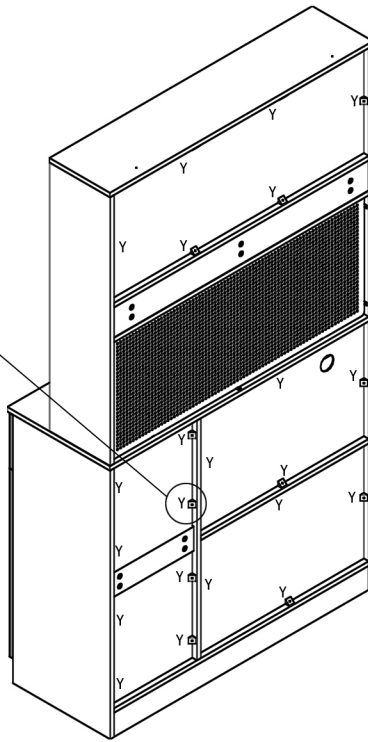
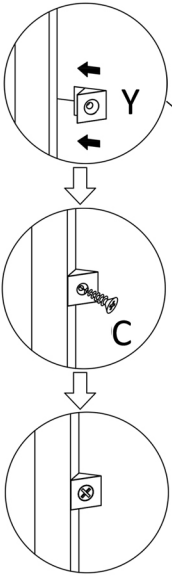
STEP 39



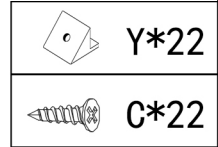
STEP 40



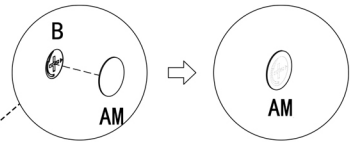
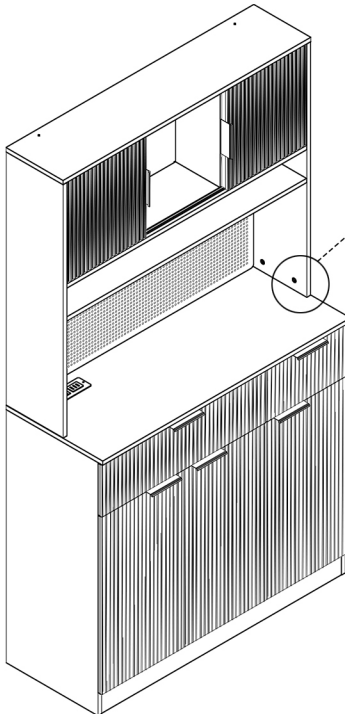
STEP 41



Use tools to install if necessary



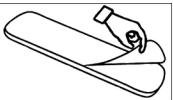
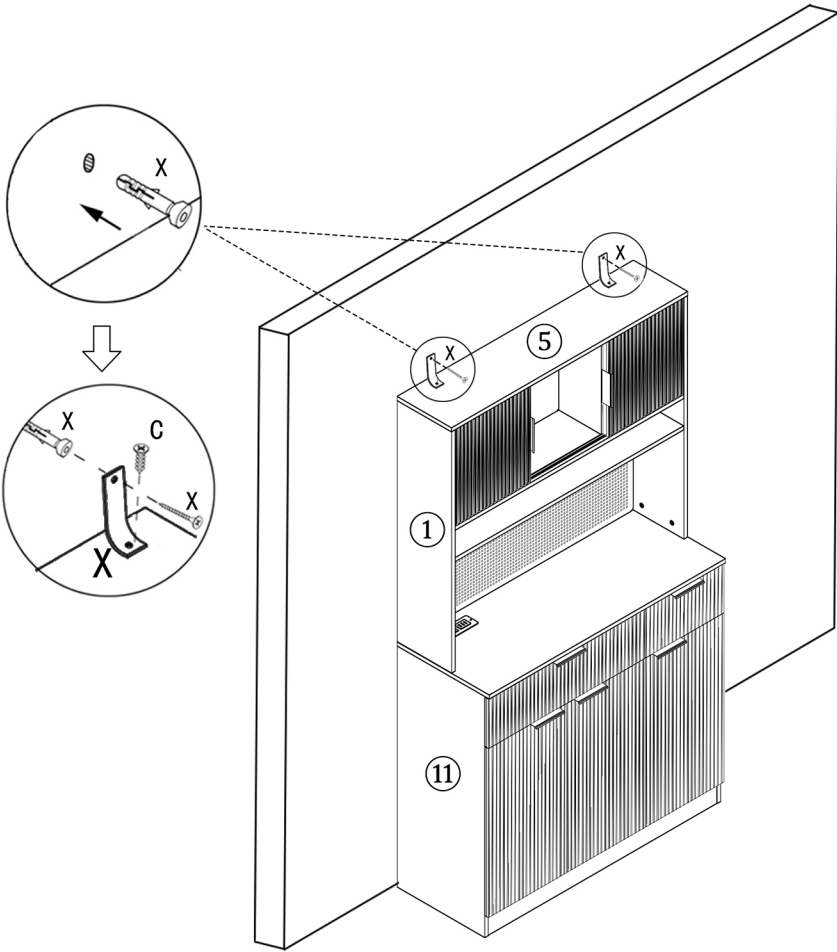
STEP 42



Please stick the decorative paper on the hole



STEP 43



For the high gloss panel, please peel off the plastic film after assembling



C*2



X*2