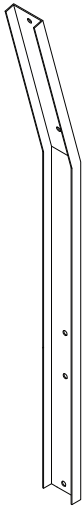
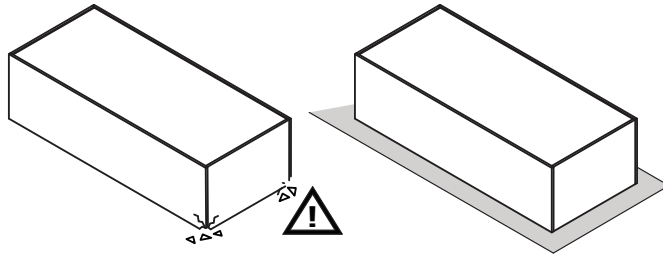
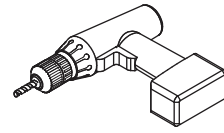
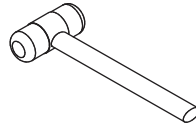
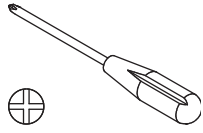
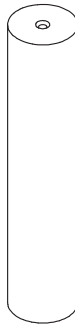


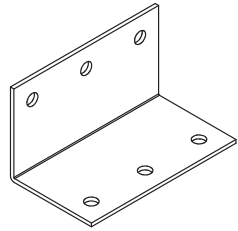
2,5h



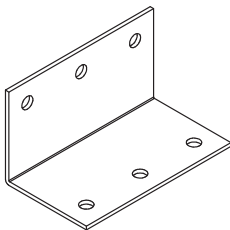
W307
x1



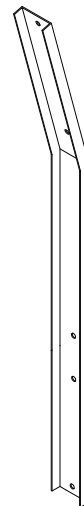
W557
x2



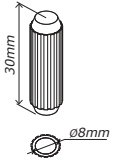
W186
x1



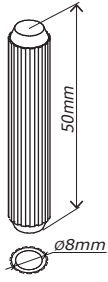
W186
x4



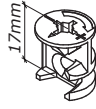
W307
x2



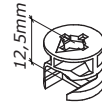
H1
x20



H32
x8



T92
x6



T7
x6



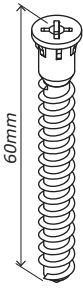
T99
x16



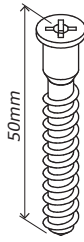
T28
x12



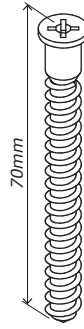
T119
x8



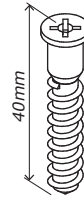
V57
x8



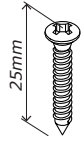
V45
x2



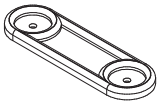
V115
x4



V131
x4



V159
x20



P16
x8



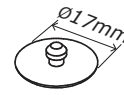
H15
x16



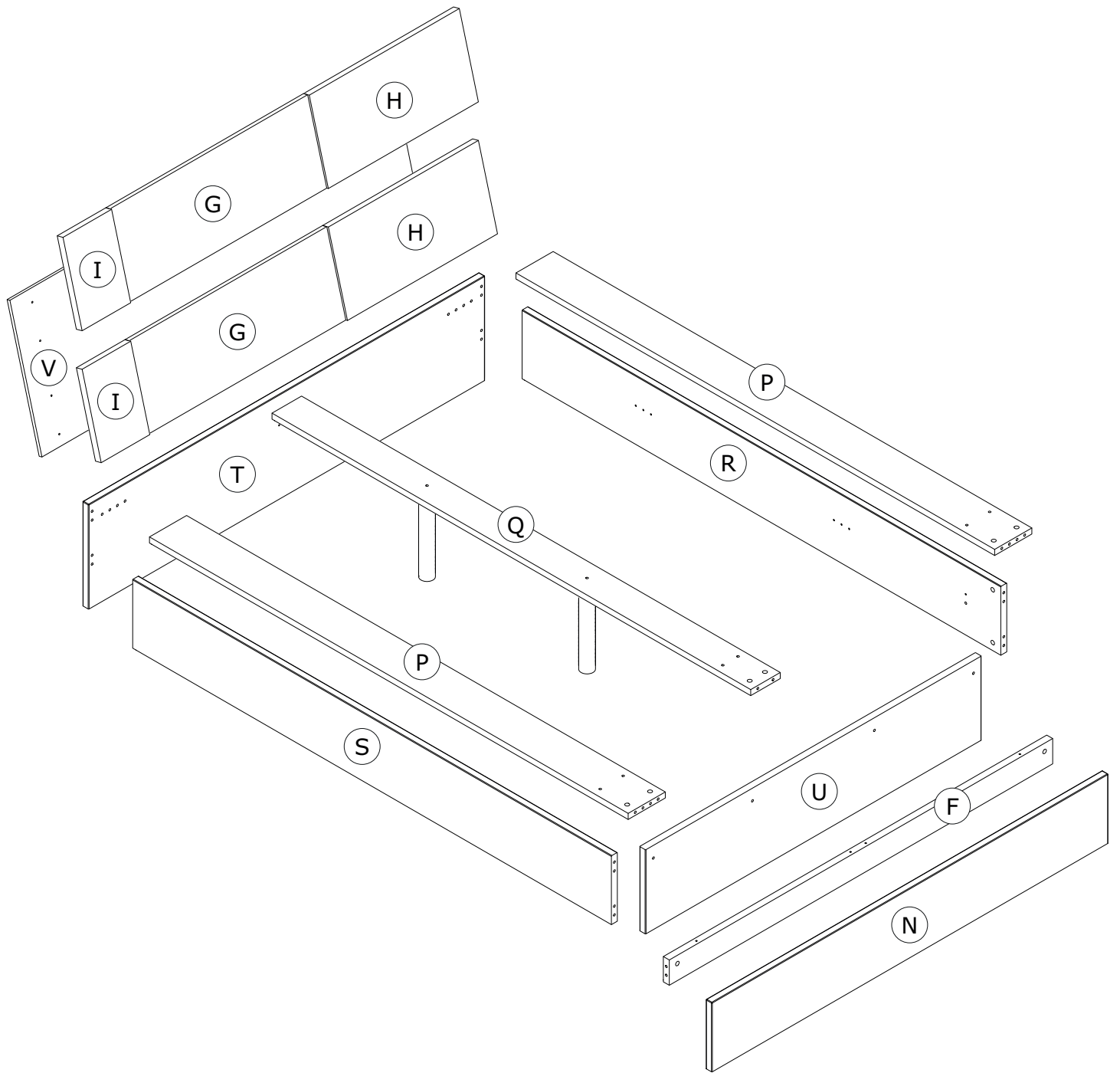
H54
x20

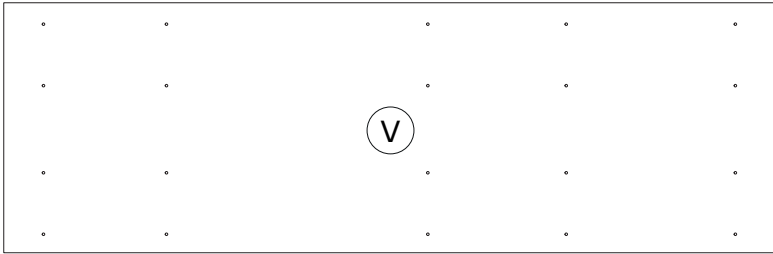


V10
x45

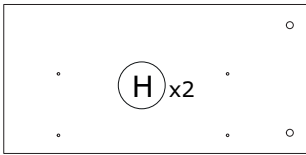


G57
x4

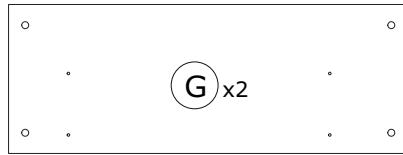




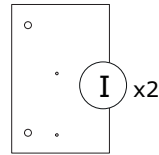
1610x520x12mm



630x310x25mm

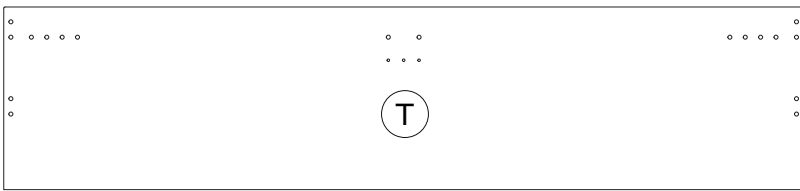


830x310x18mm

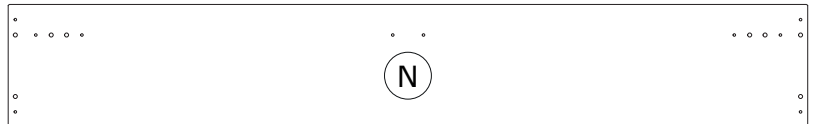


204x310x25mm

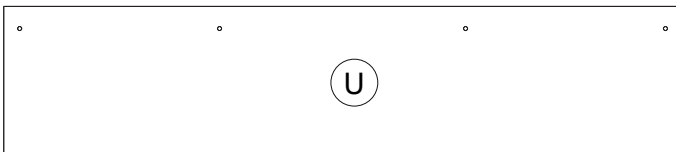
BOX 1/3



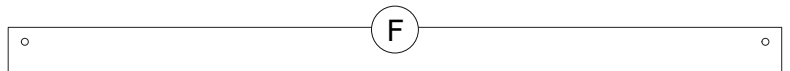
1664x380x25mm



1664x252x25mm



1410x306x25mm

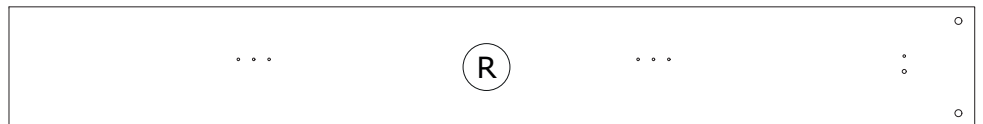


1610x92x25mm

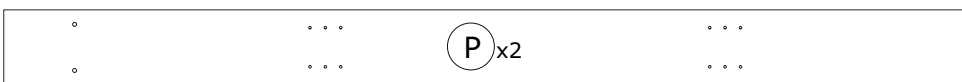
BOX 2/3



2010x250x25mm



2010x250x25mm



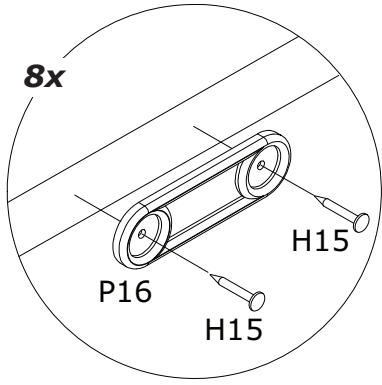
2010x156x22mm



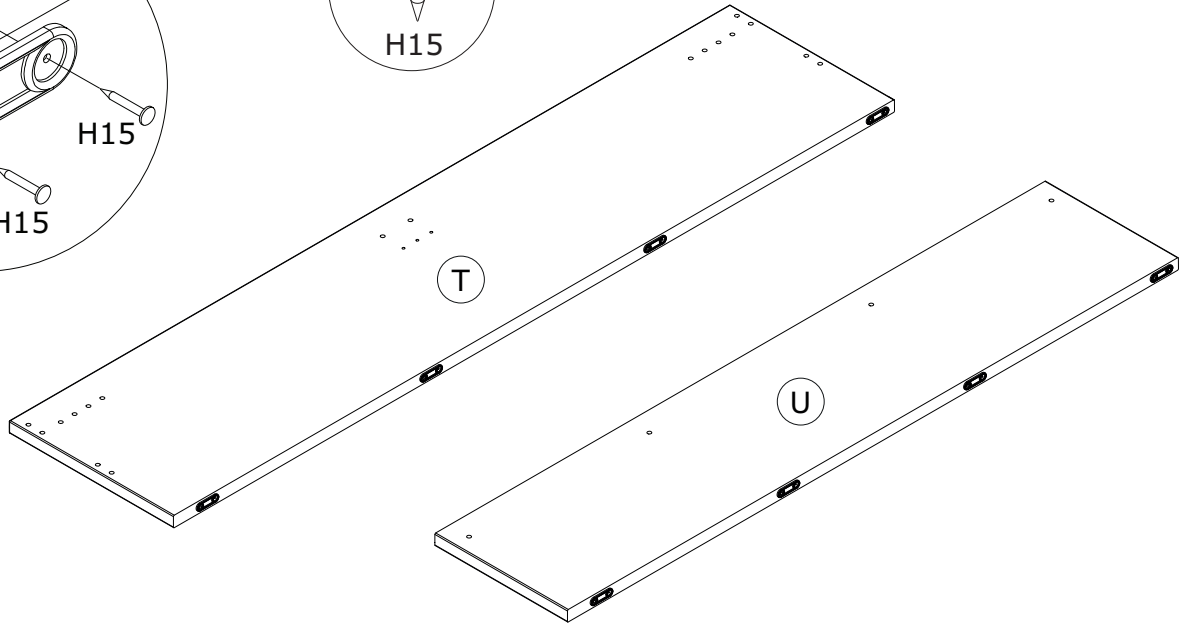
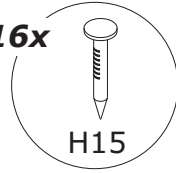
2010x124x22mm

BOX 3/3

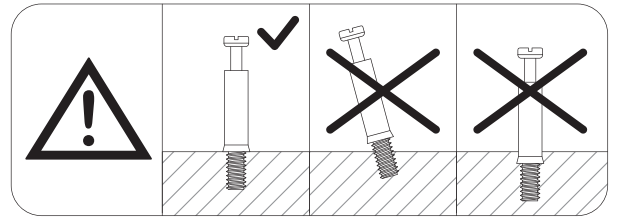
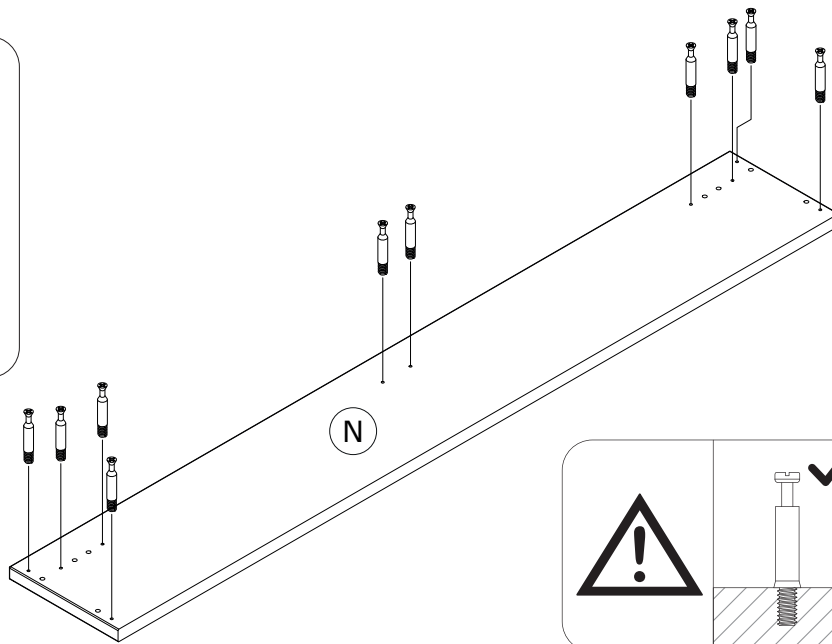
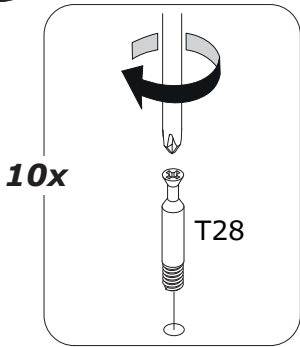
1



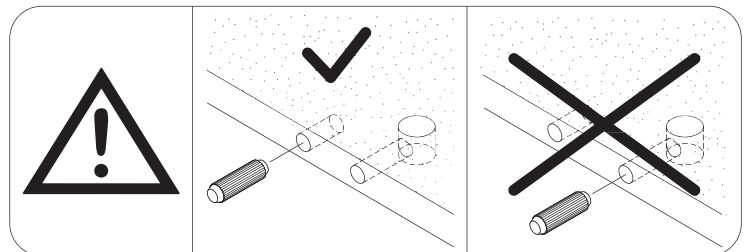
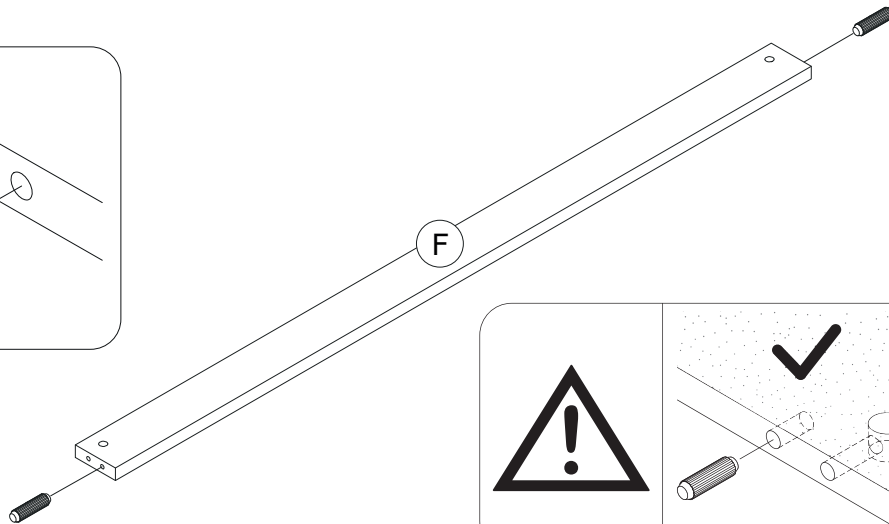
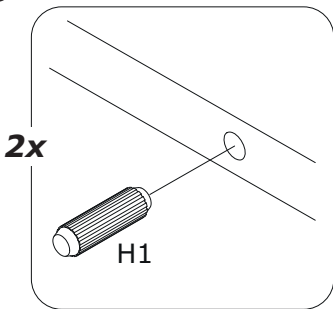
16x



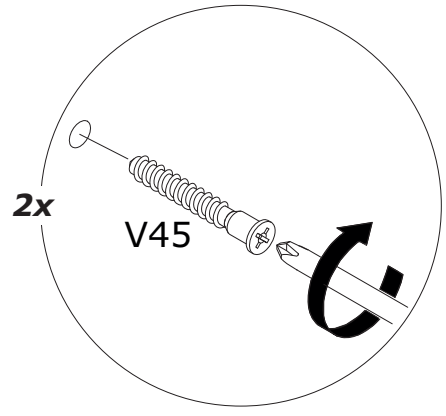
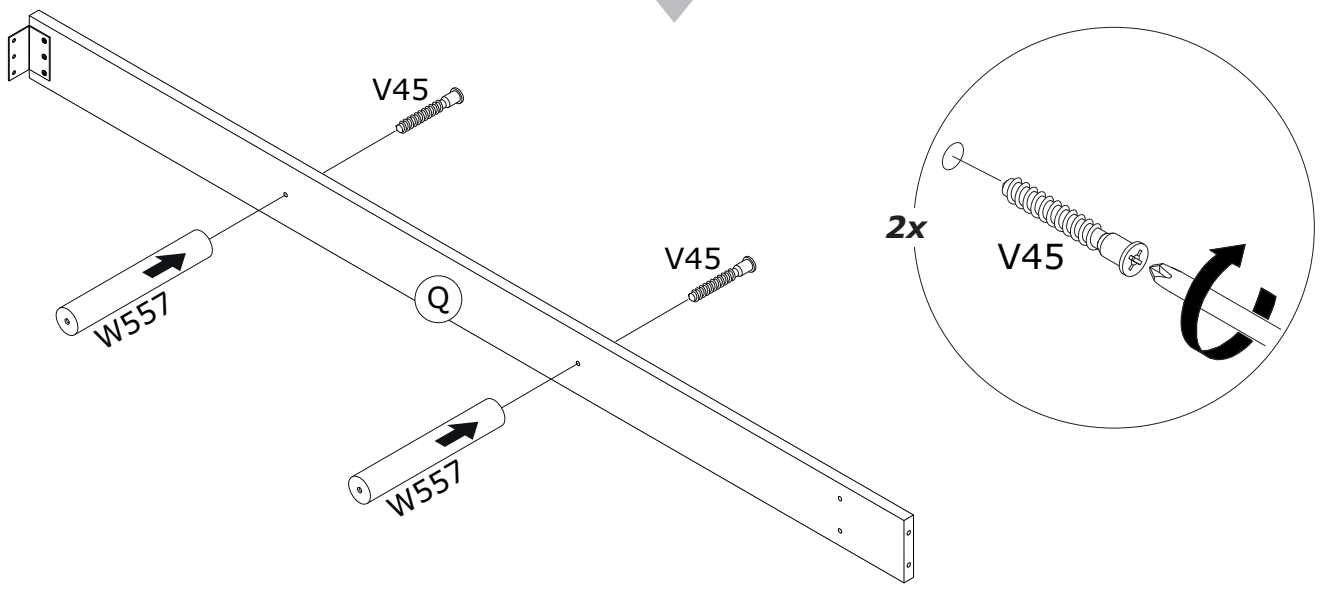
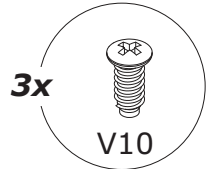
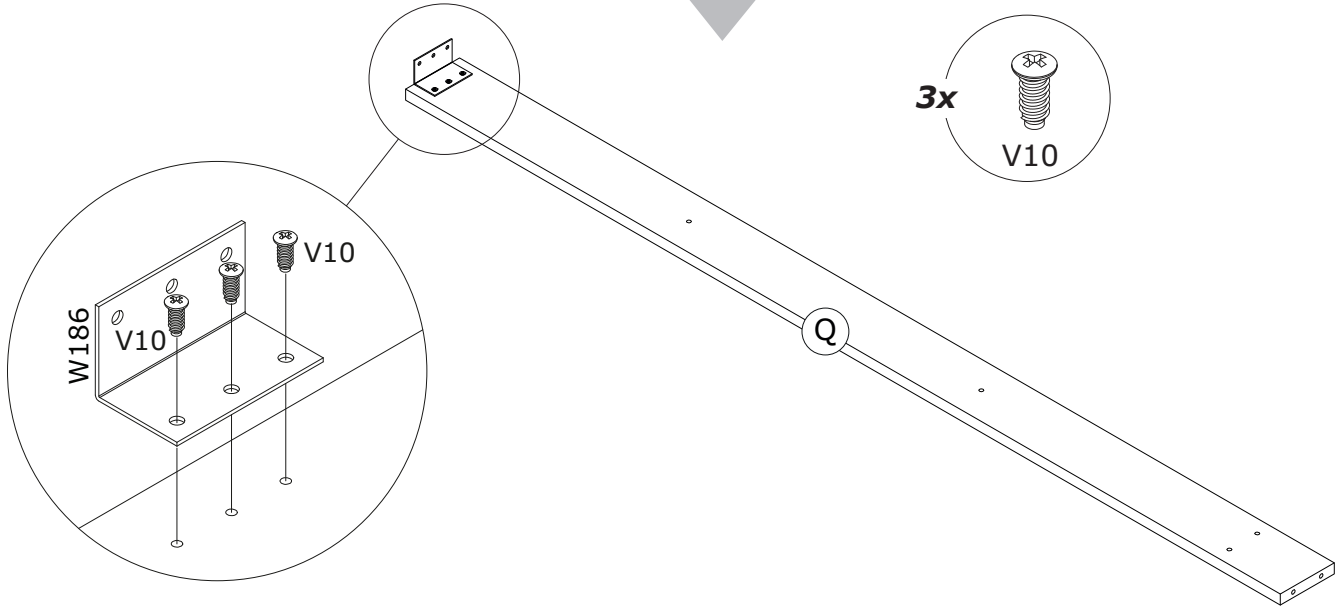
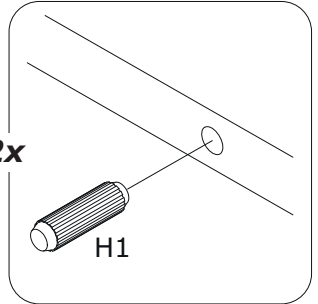
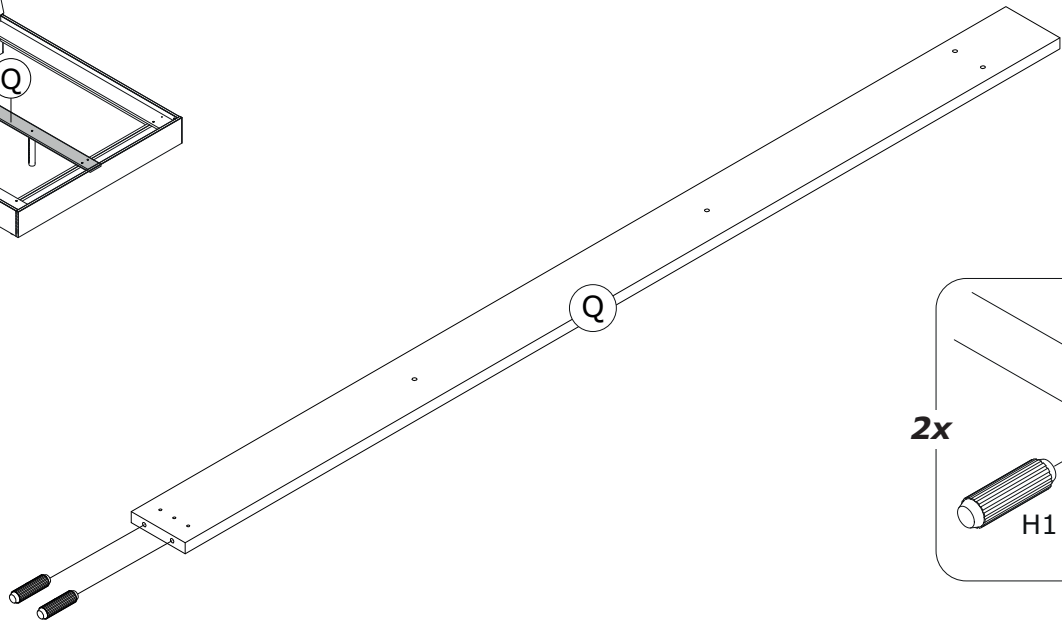
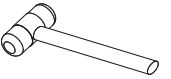
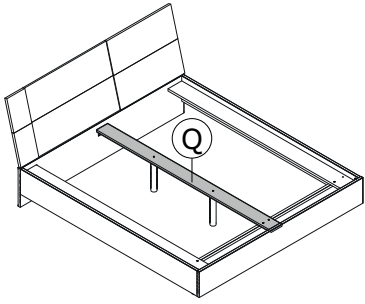
2



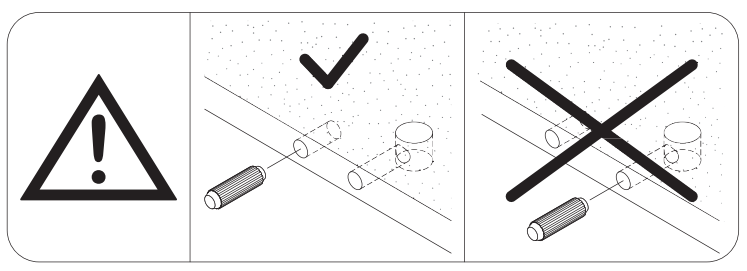
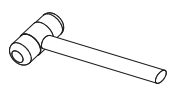
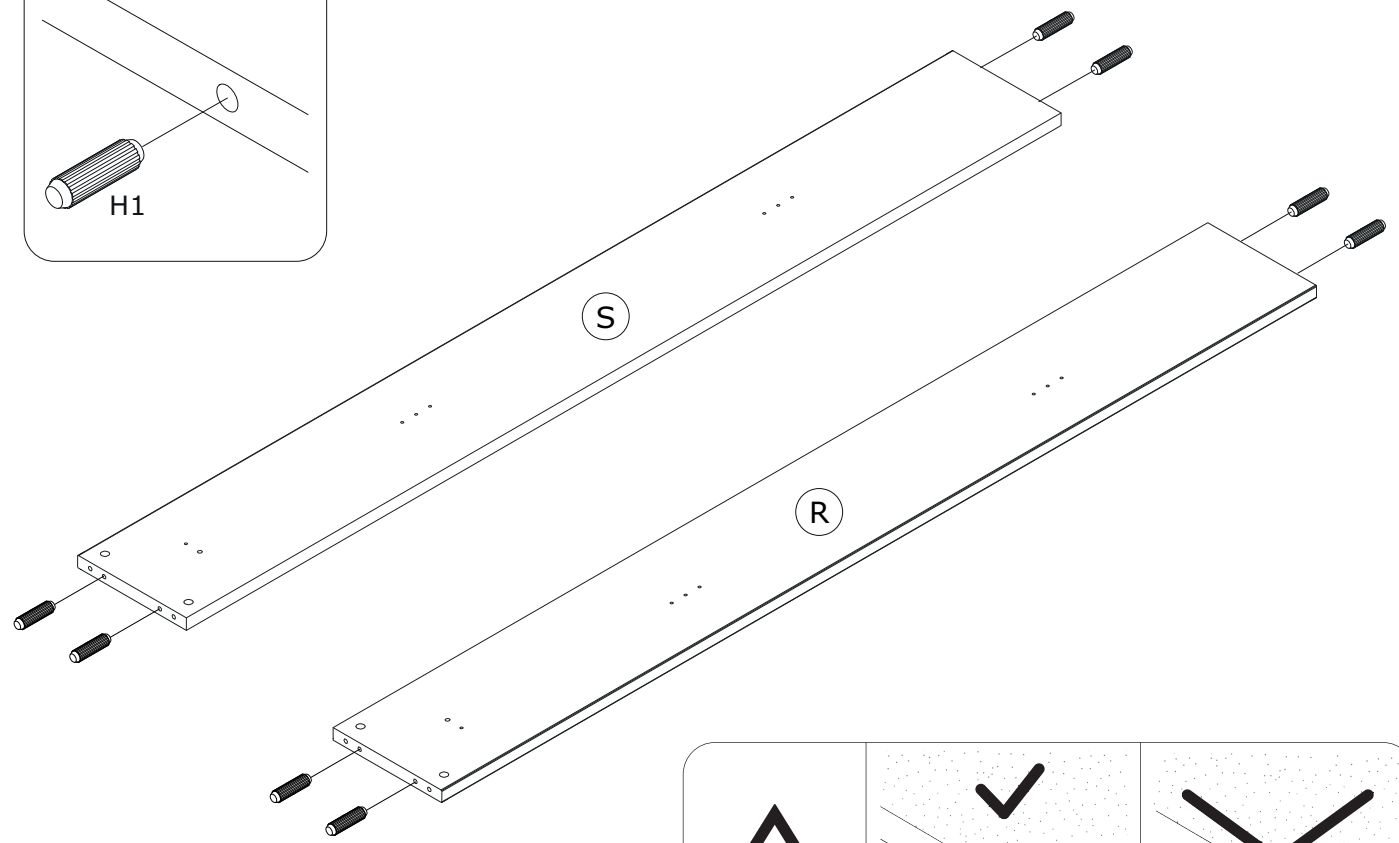
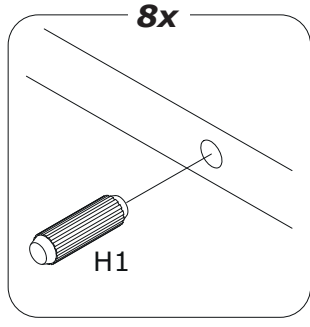
3



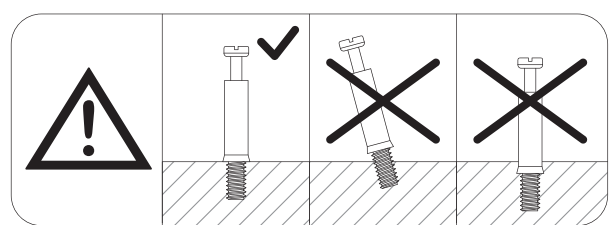
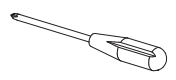
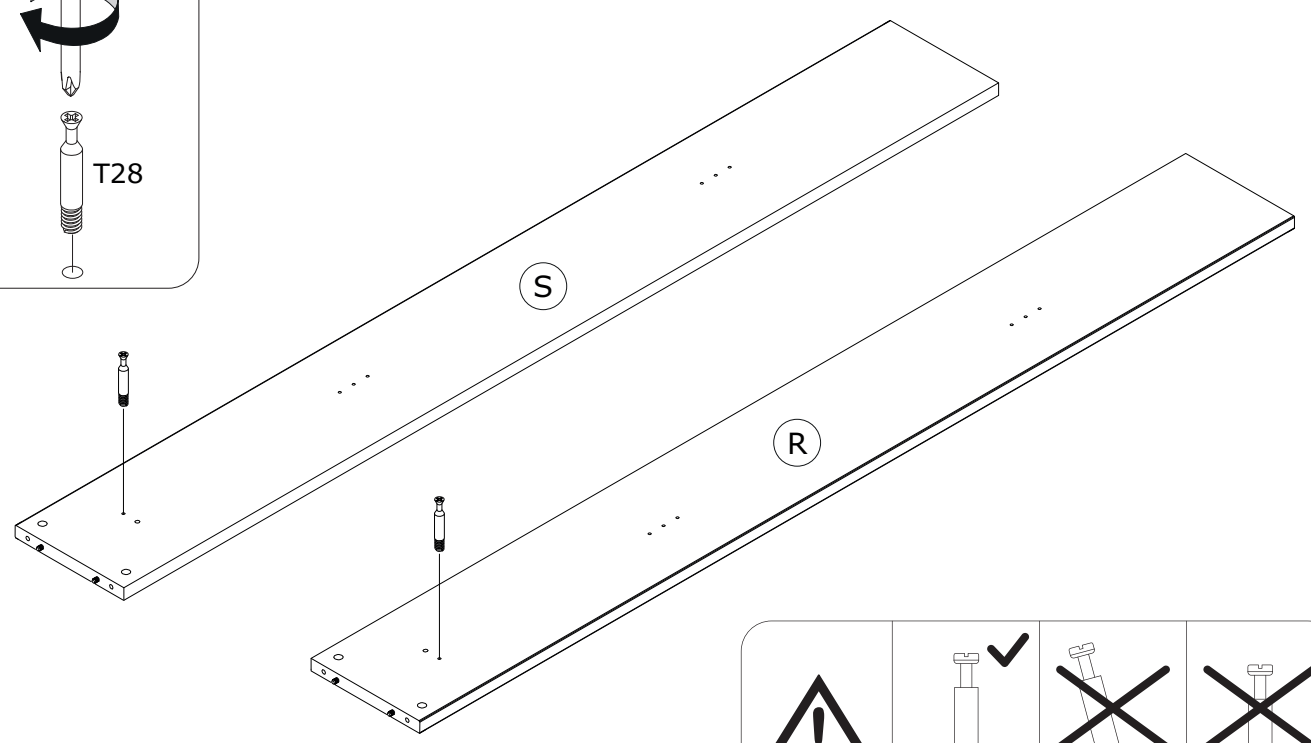
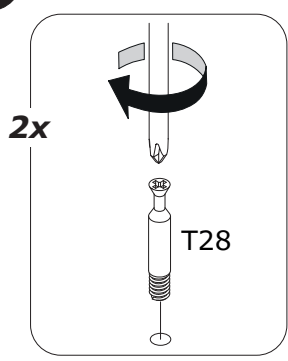
4



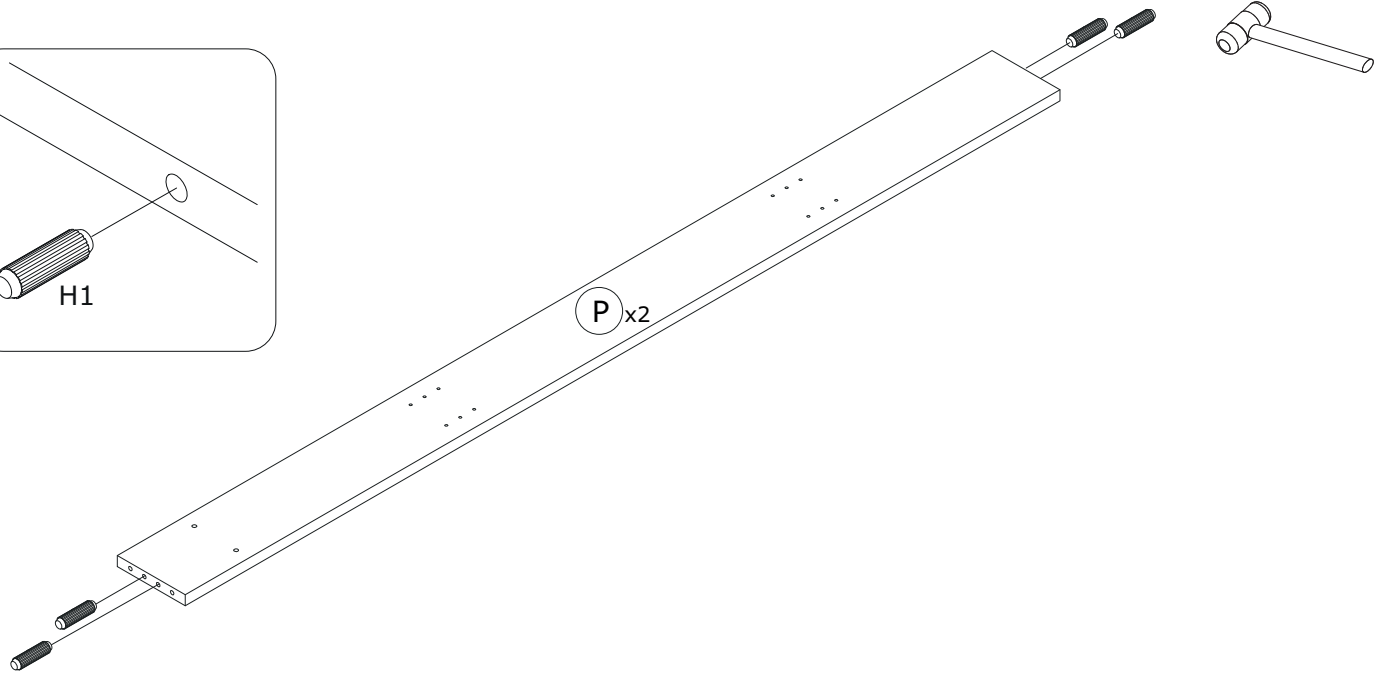
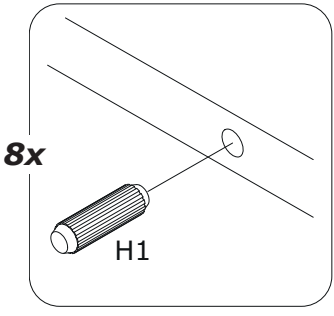
5



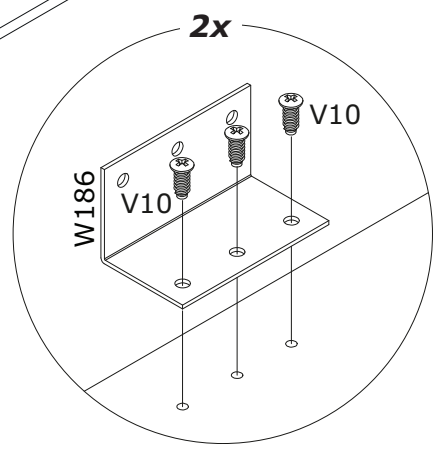
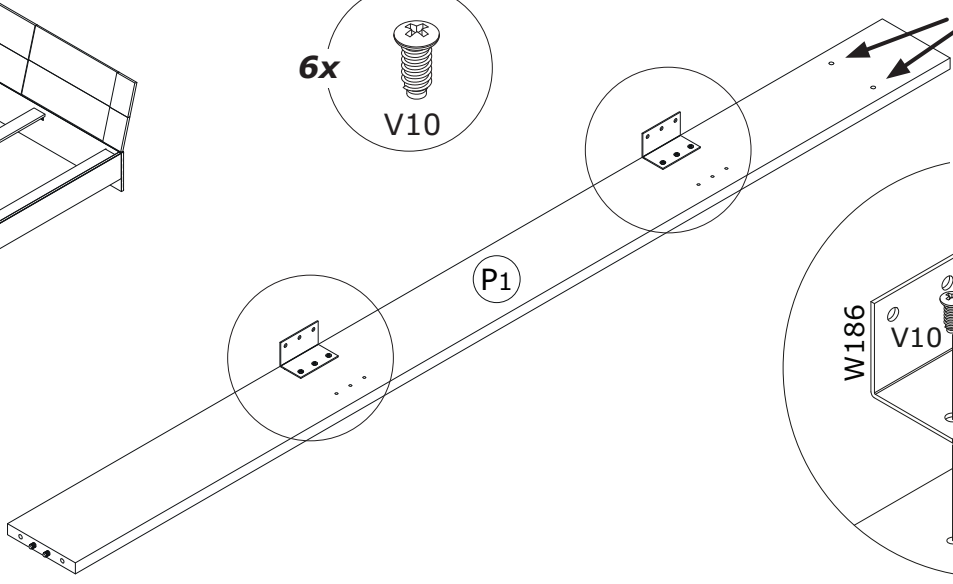
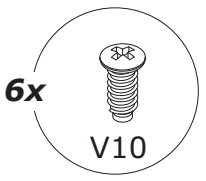
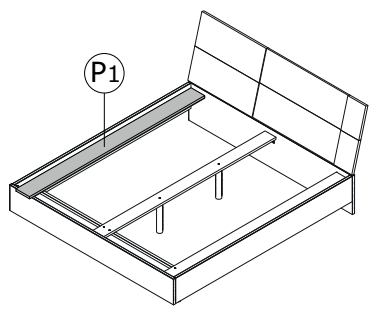
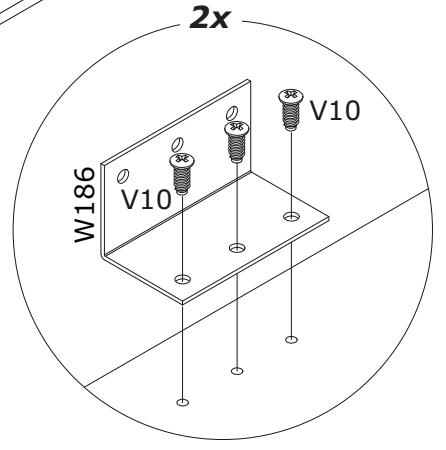
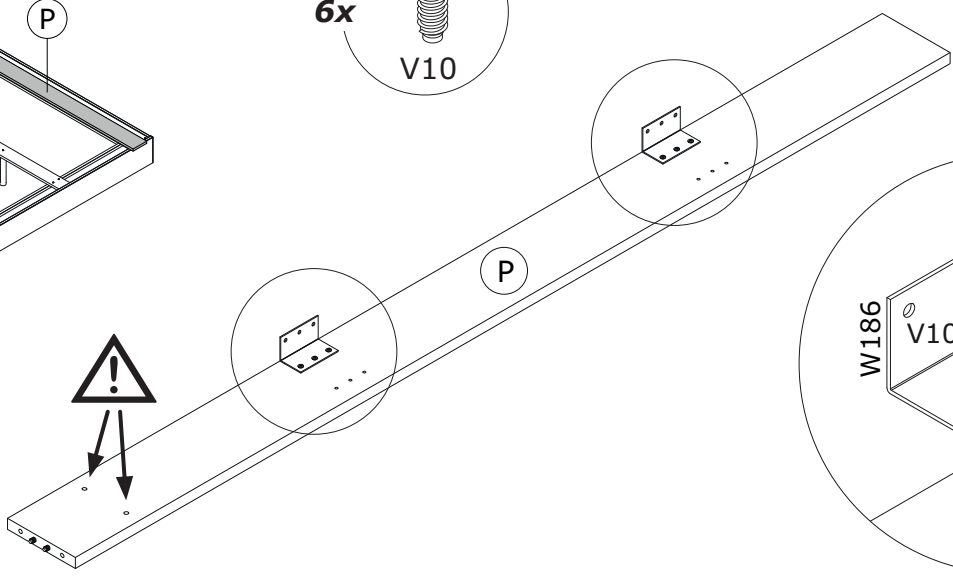
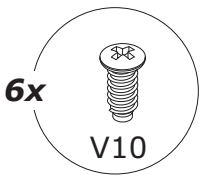
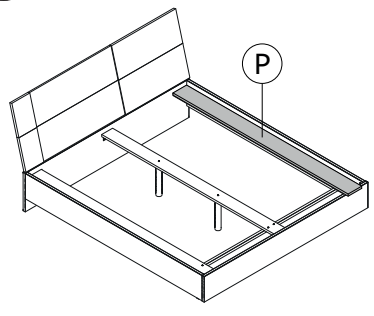
6



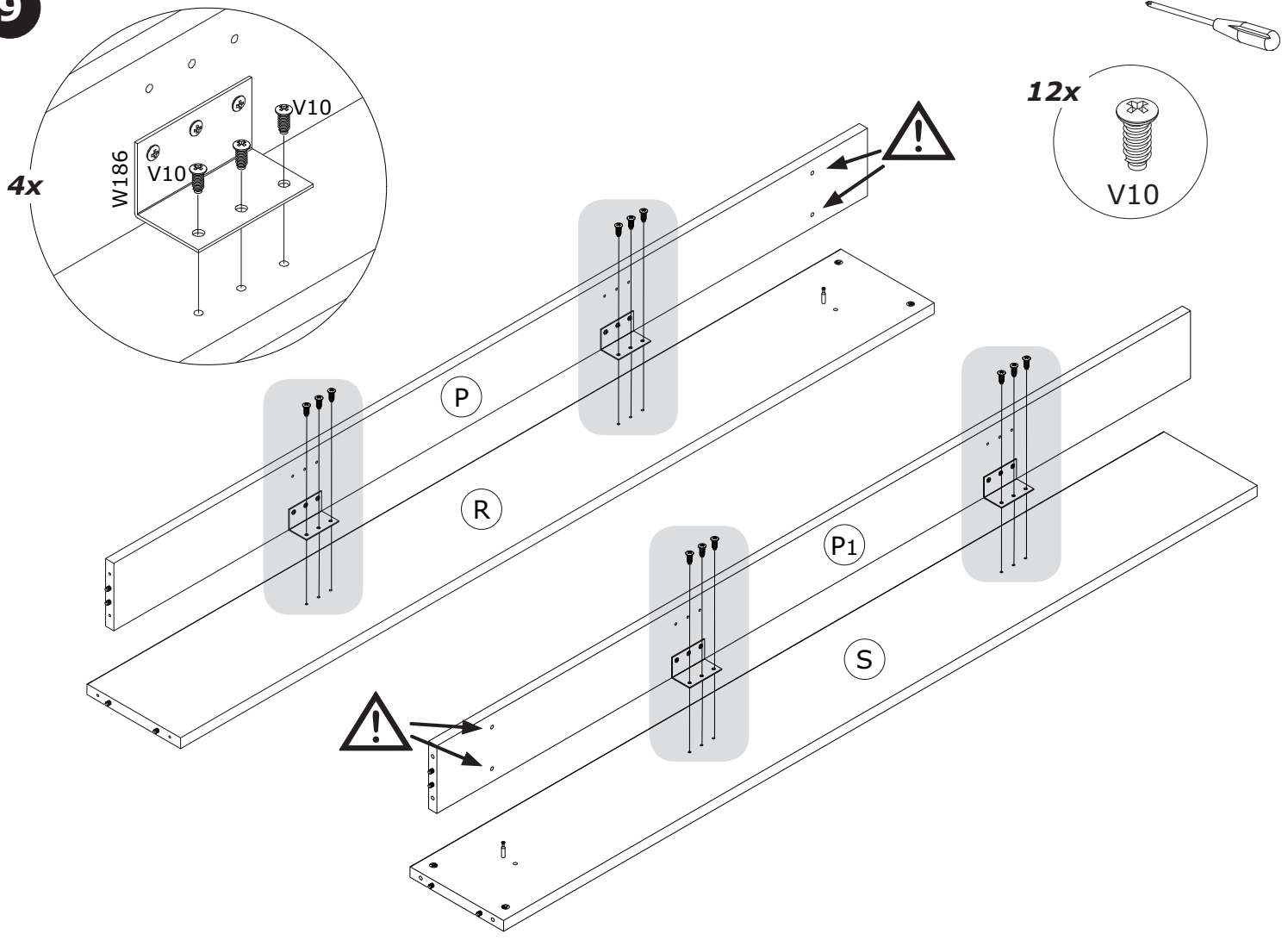
7



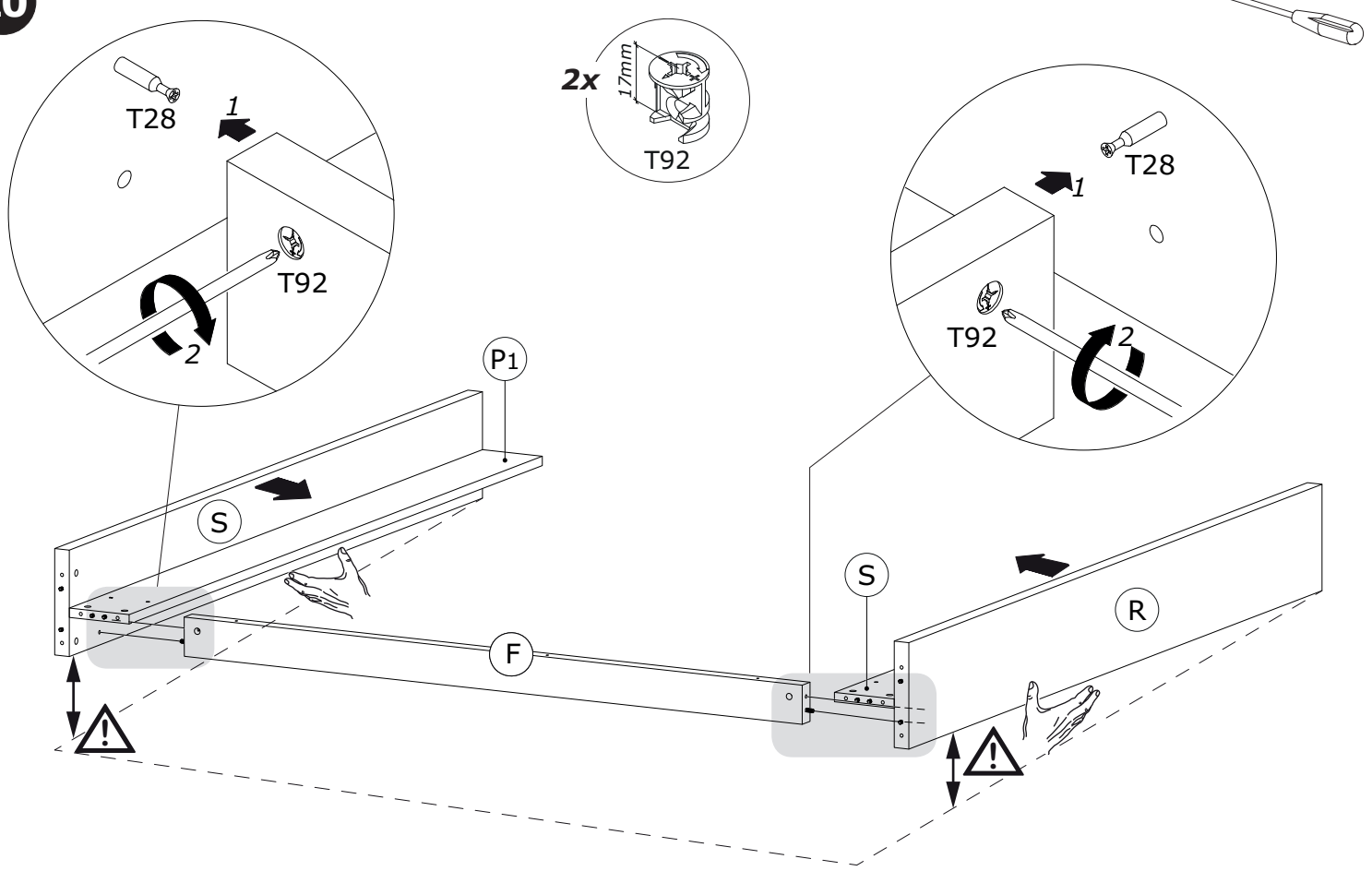
8



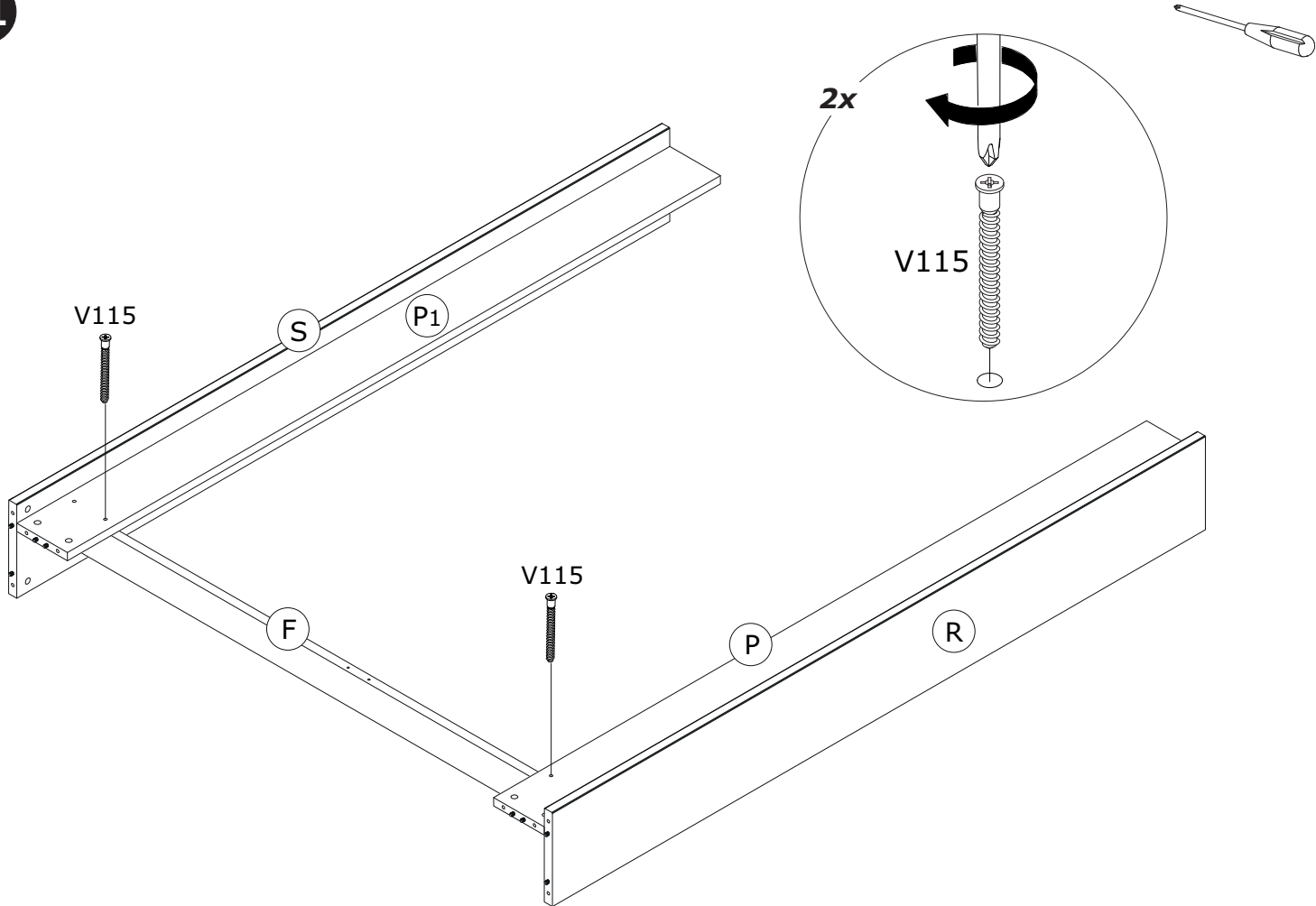
9



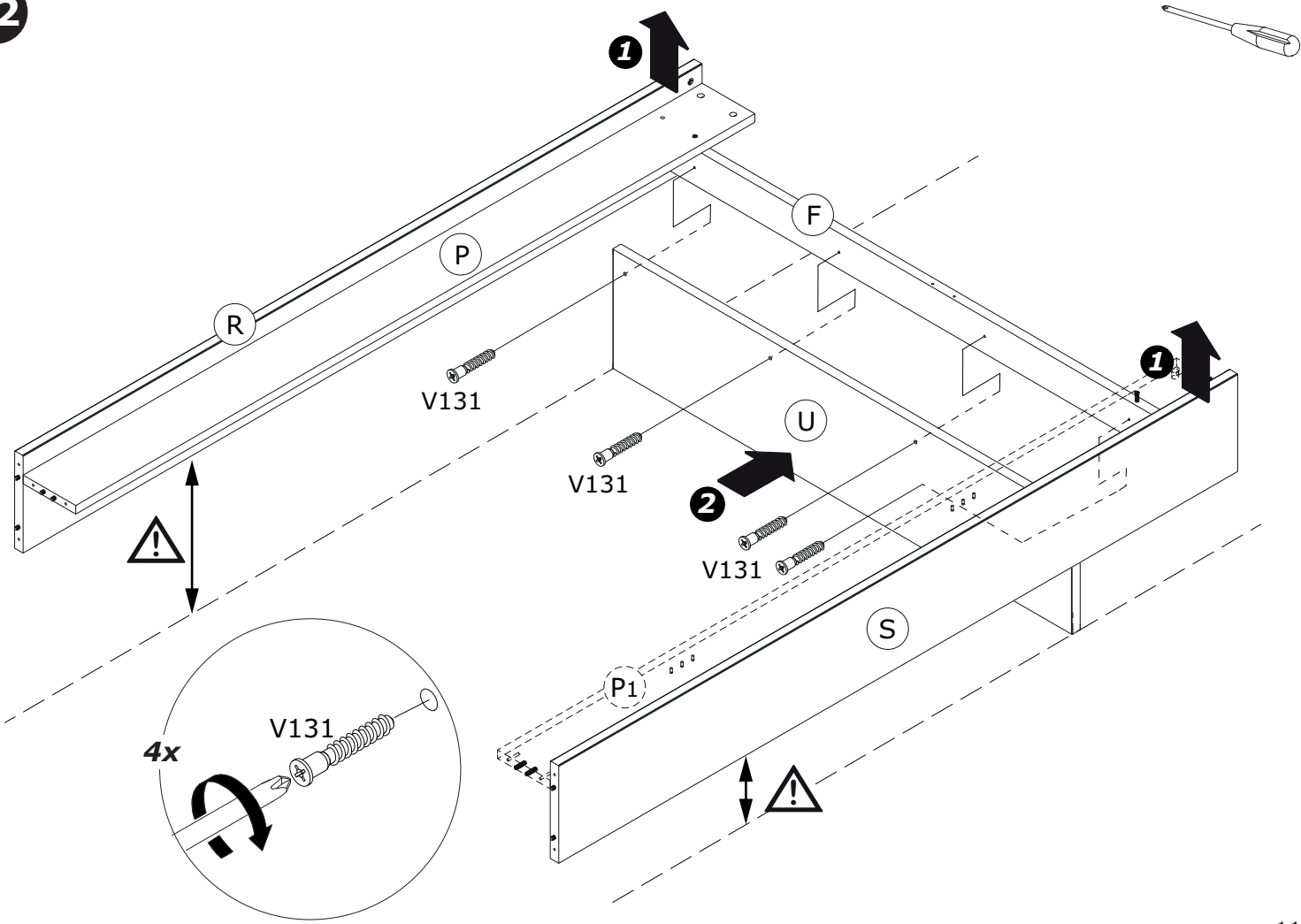
10



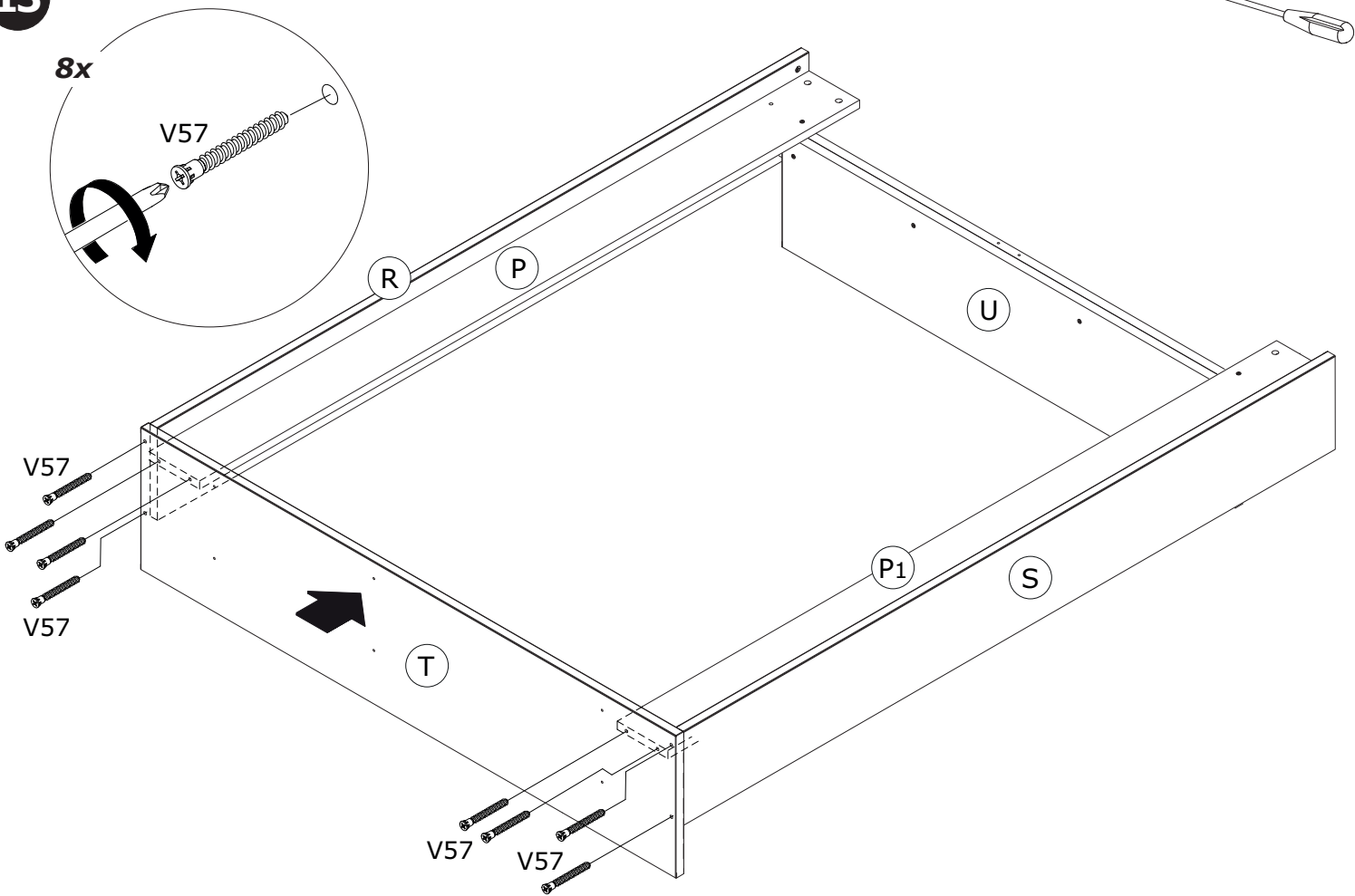
11



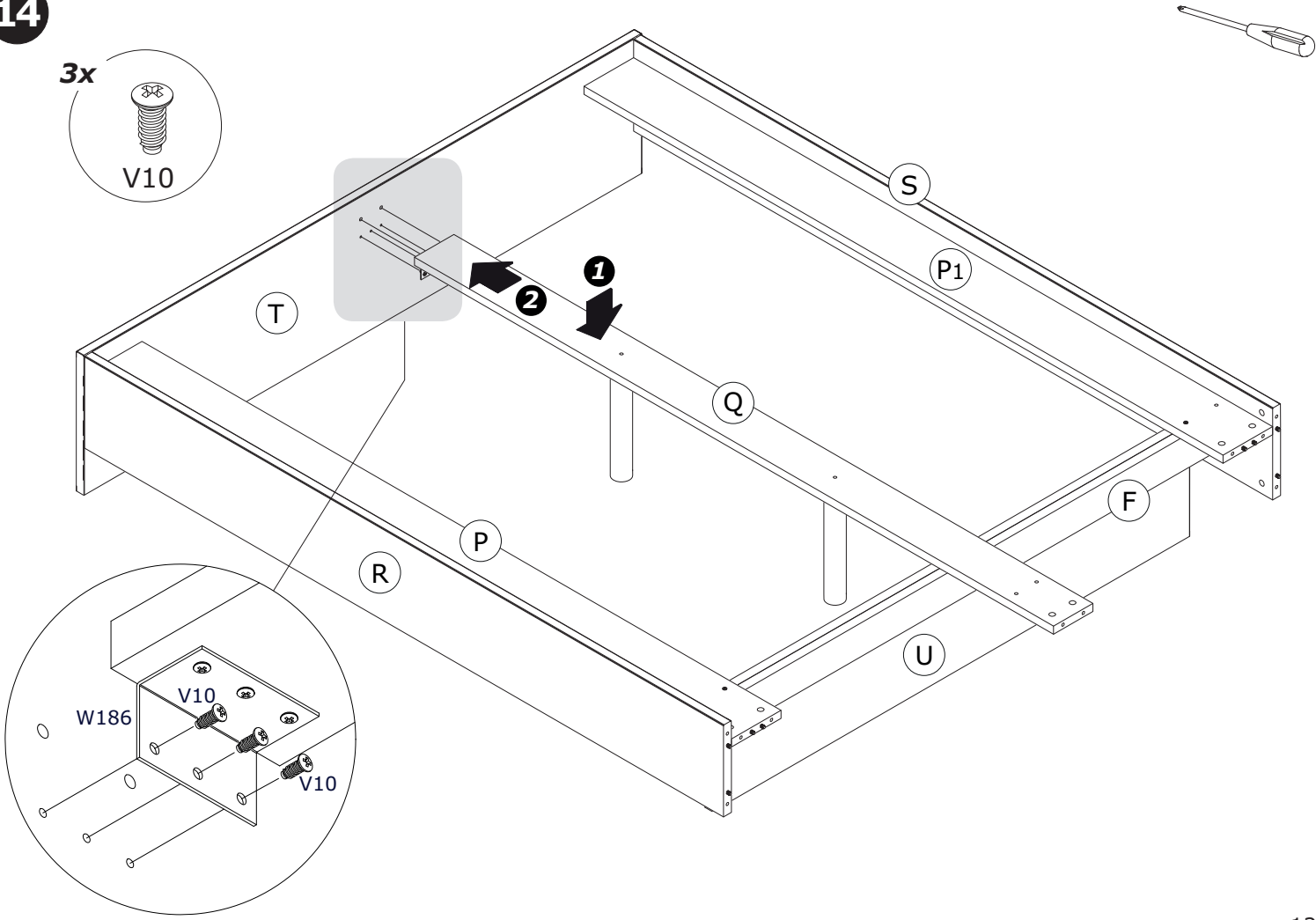
12

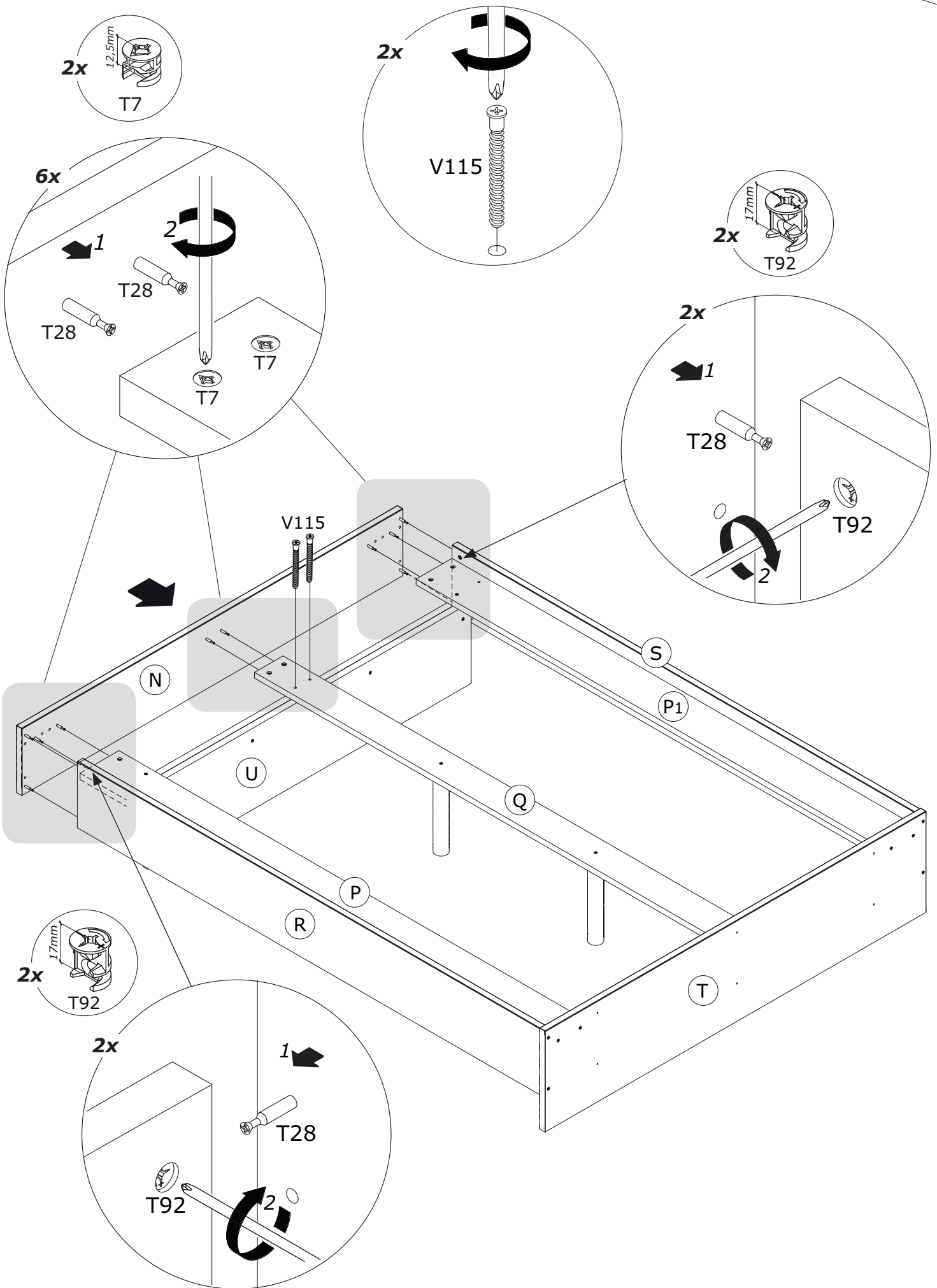
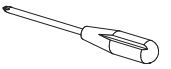


13

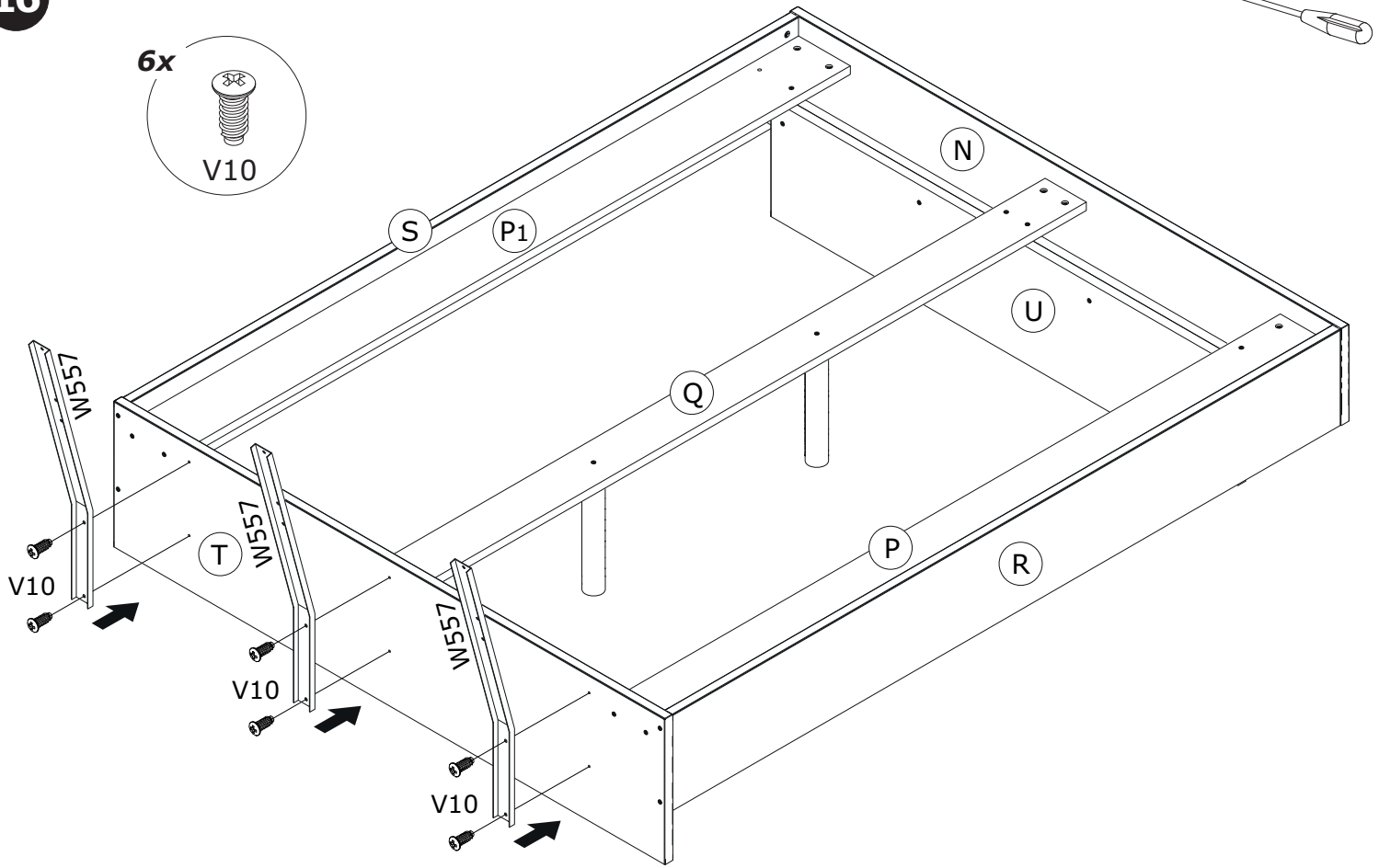


14

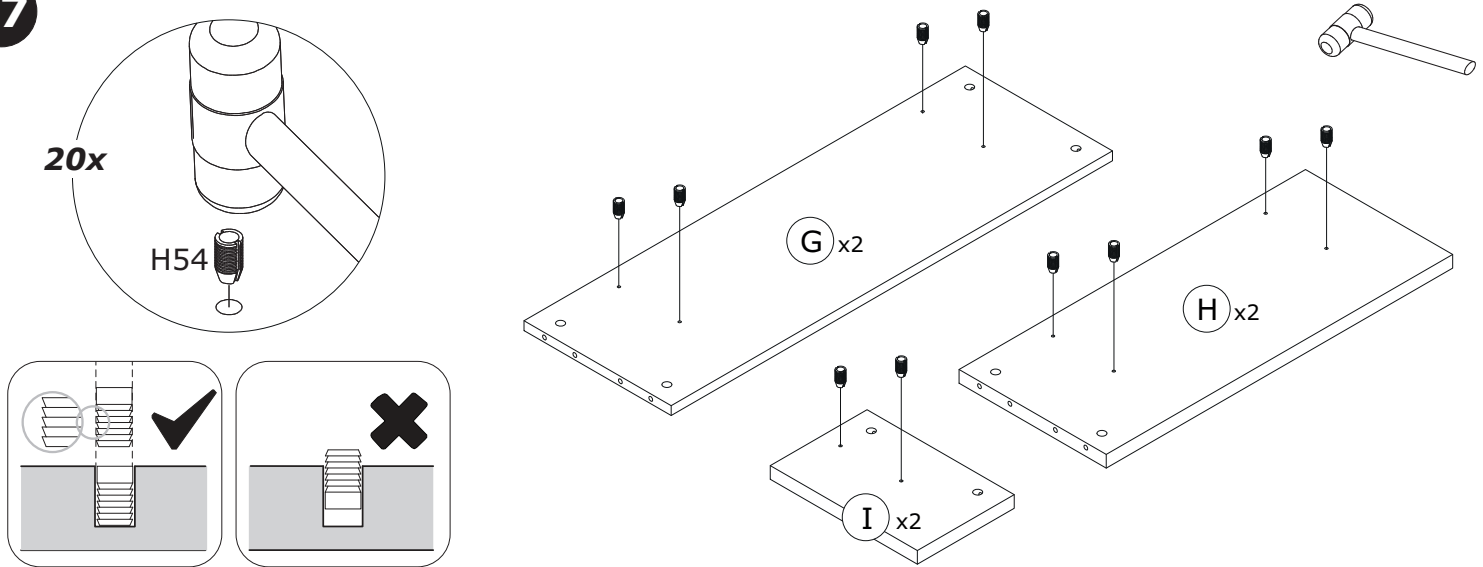




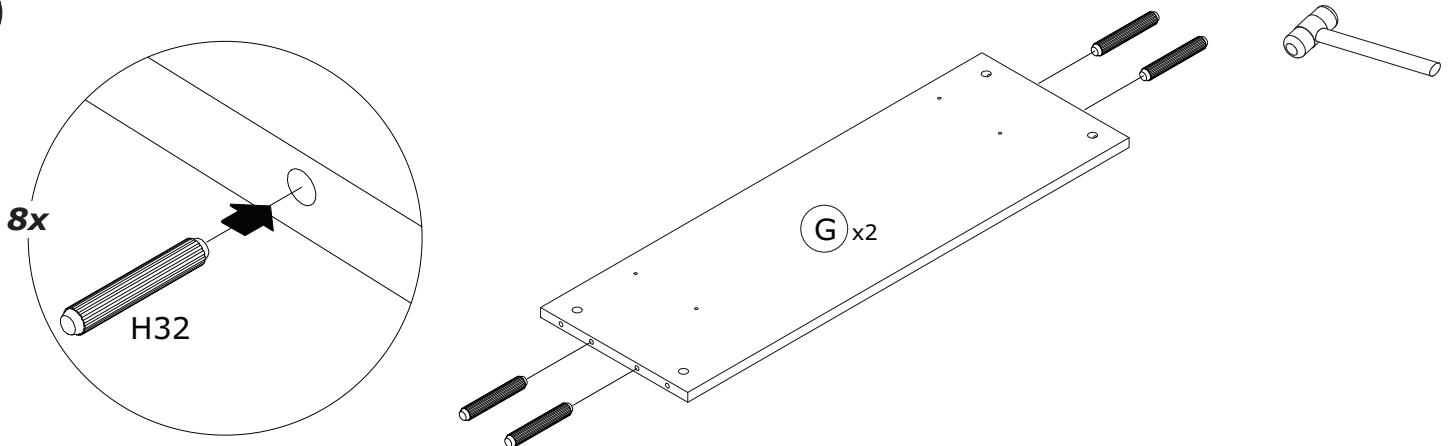
16



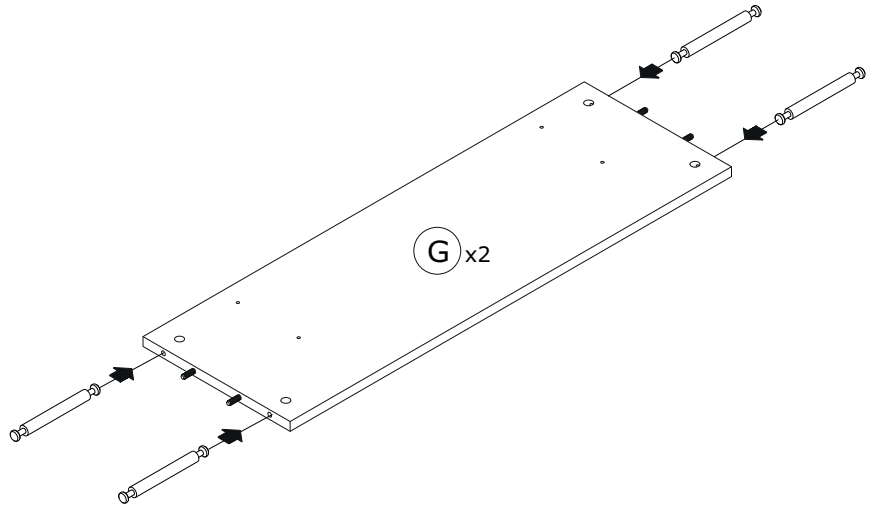
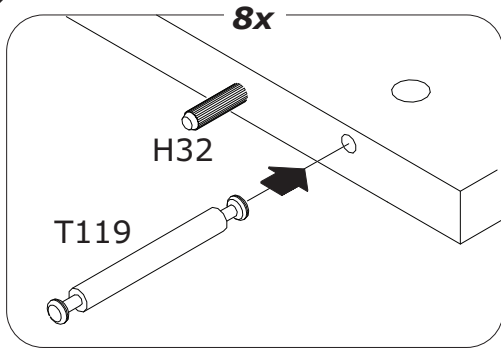
17



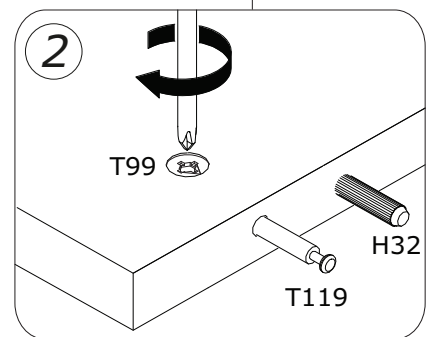
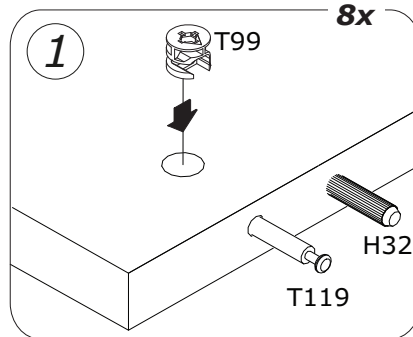
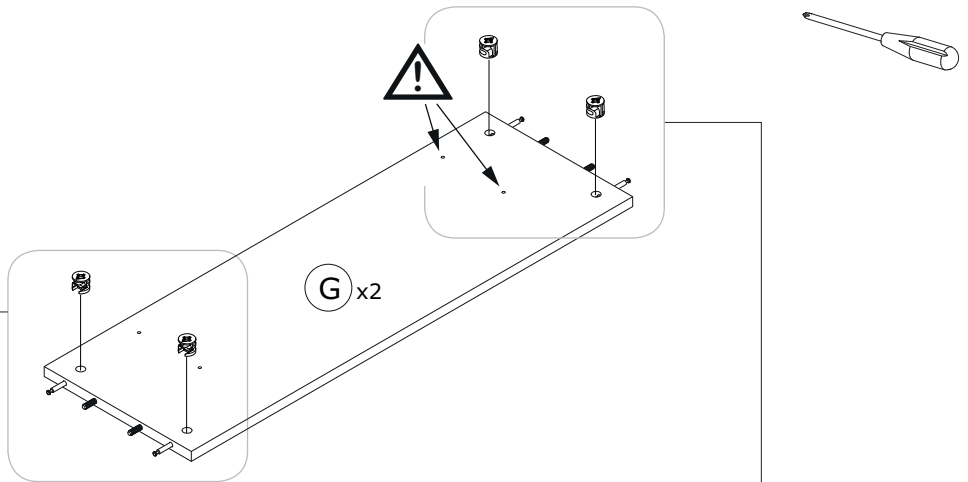
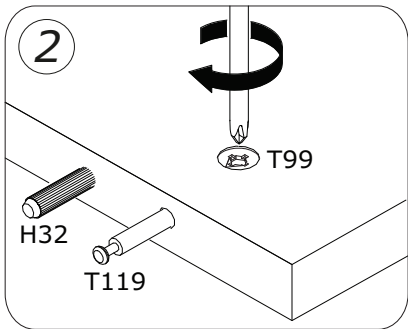
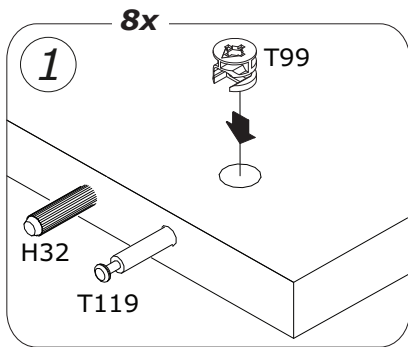
18



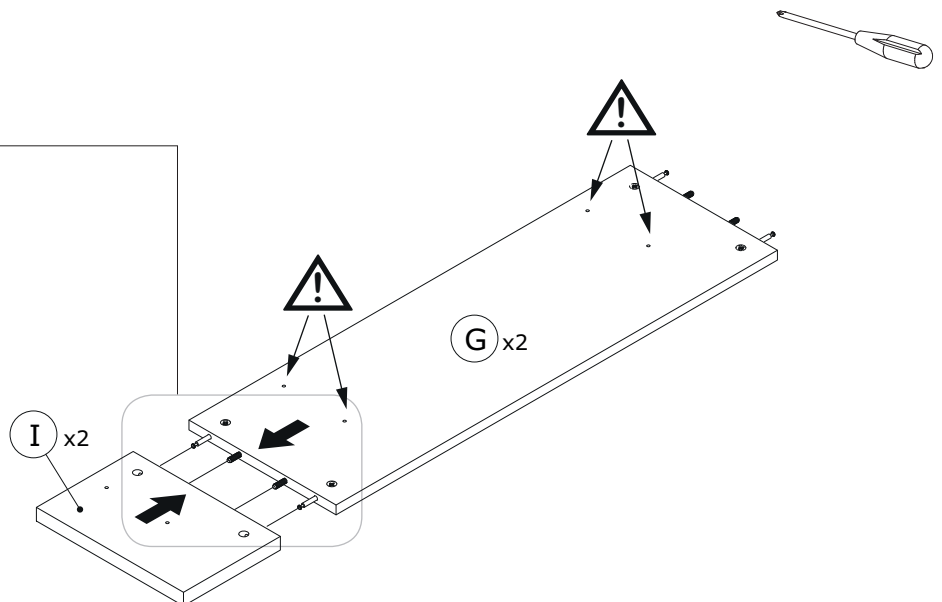
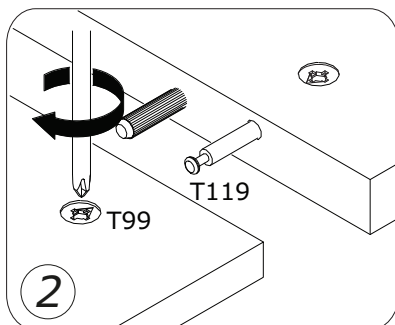
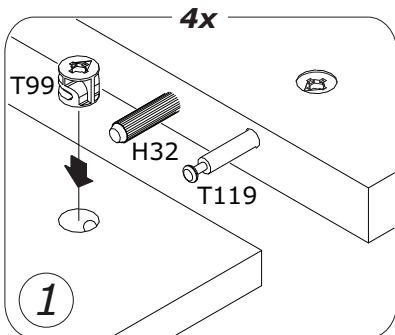
19



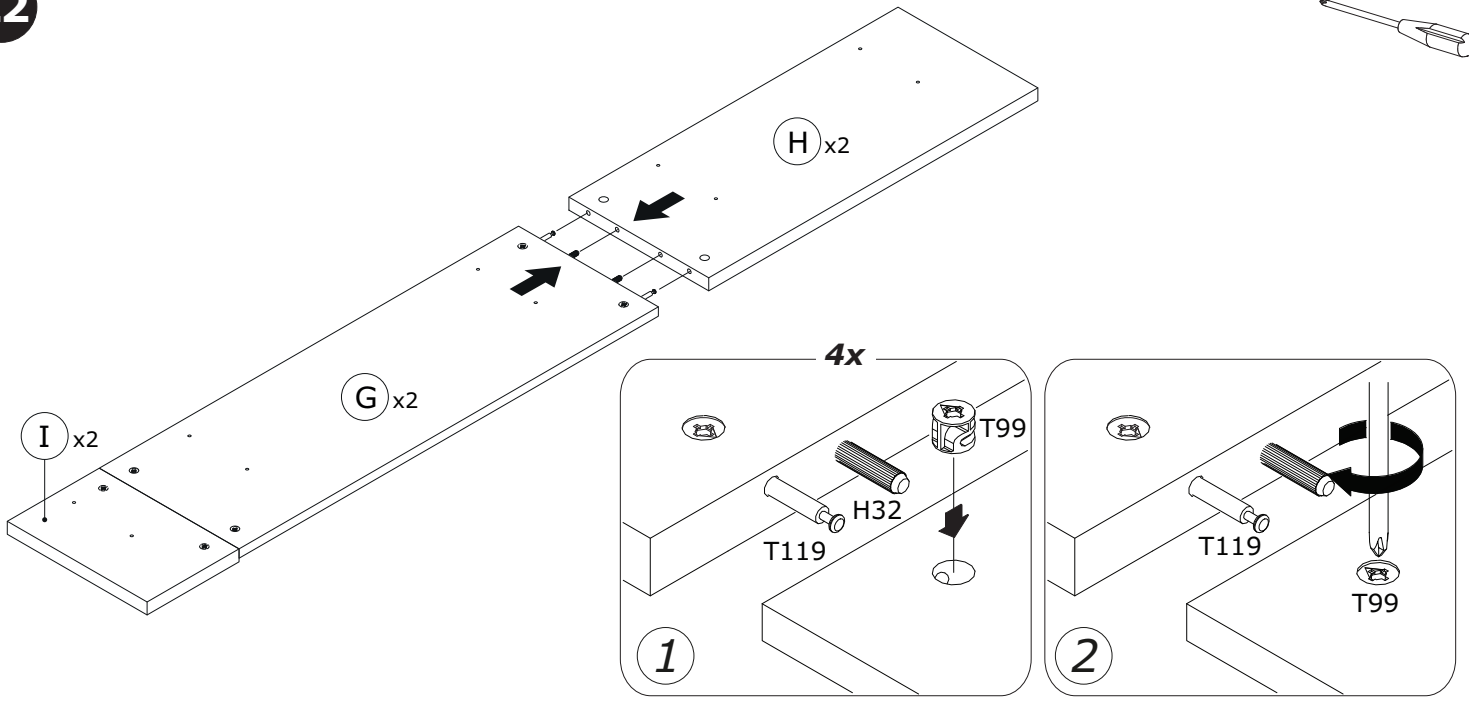
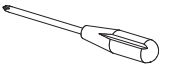
20



21



22



23

