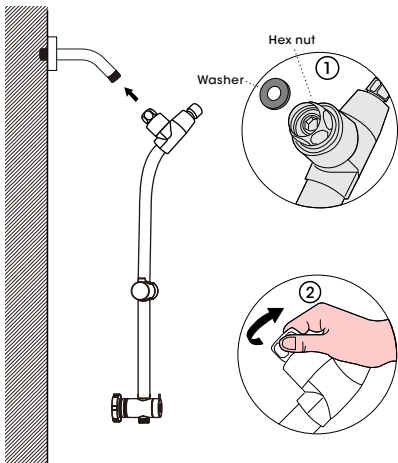


Drill-Free Combination Shower Sliding Bar

1 Remove old showerhead.

1. Ensure the washer is positioned **FLAT** and **STRAIGHT** inside the hex nut.
2. Attach the sliding bar to the shower arm by rotating the hex nut clockwise by hand and then lightly tighten with a wrench.

Notice: Don't overtight to avoid washer damaged, which hex nut leaking



2 TWO DRILL-FREE INSTALLATION METHODS ARE OPTIONAL

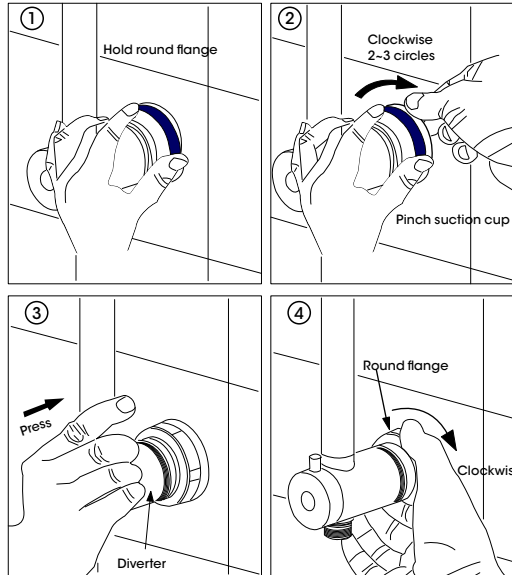
Make sure wall is flat, smooth, clean and dry

Method 1, Suction Cup

1. Suction cups perform better when wet.
2. Press firmly on a smooth and even surface, avoiding installation on uneven surfaces.
3. Align the bottom of the slider bar with the thread on the suction cup and rotate to screw it in.
4. If suction cup loses suction power (typically after 5-6 months), repeat steps 1-3 to secure the suction cup again.

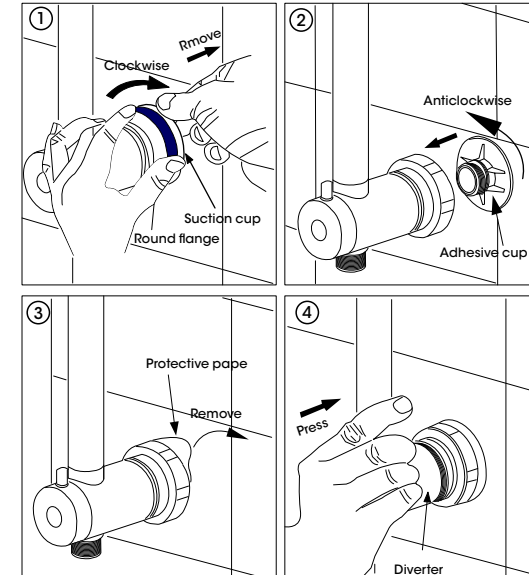


Please Scan QR Code to Watch Video

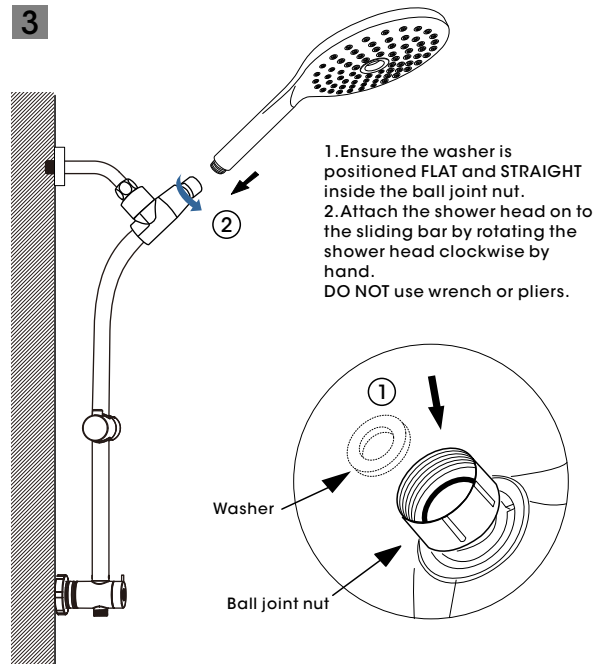


Method 2, Adhesive Cup

1. Remove the suction cup. Hold the round flange with one hand. Pinch suction cup with the other hand and turn it clockwise, separate it completely from round flange.
2. Replace with the adhesive cup. Rotate the adhesive cup anticlockwise to the round flange, tighten by hand.
3. Remove the protective paper. Make sure the sliding bar is vertical, firmly press the diverter against wall surface. Allow to dry at least 8 hours before showering or creating wet conditions.
4. Make sure the sliding bar is vertical, firmly press the diverter against wall surface. Allow to dry at least 8 hours before showering or creating wet conditions.



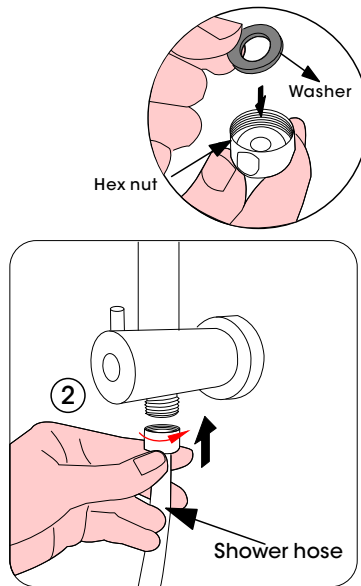
3



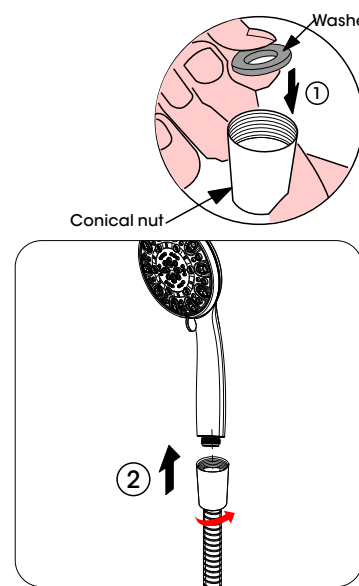
1. Ensure the washer is positioned **FLAT** and **STRAIGHT** inside the ball joint nut.
2. Attach the shower head on to the sliding bar by rotating the shower head clockwise by hand. **DO NOT** use wrench or pliers.

4

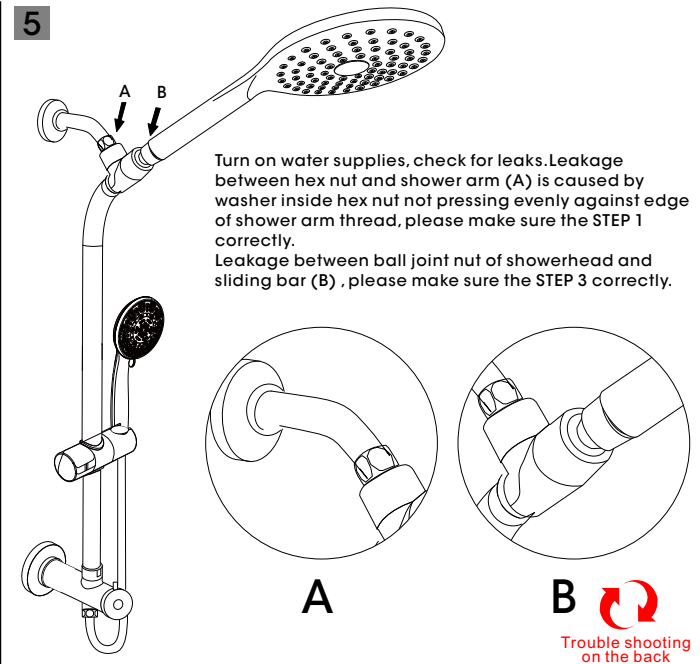
1. Put the washers into the nuts of shower hose.



2. Connect the shower hose to the sliding bar and handheld shower.



5

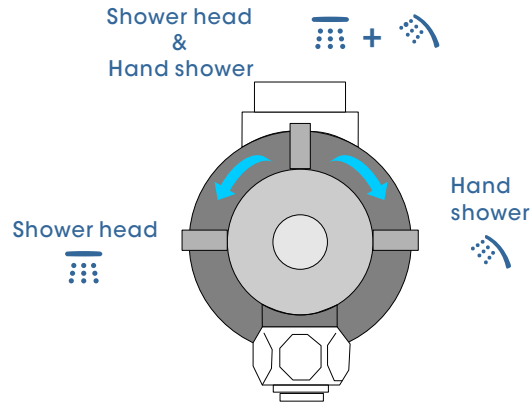


Turn on water supplies, check for leaks. Leakage between hex nut and shower arm (A) is caused by washer inside hex nut not pressing evenly against edge of shower arm thread, please make sure the STEP 1 correctly. Leakage between ball joint nut of showerhead and sliding bar (B), please make sure the STEP 3 correctly.

Trouble shooting on the back

3-WAY WATER DIVERTER

Turn diverter switch to change water flow to hand shower, shower head or combination of both.




Recommendation

Because the water supply pressure is constant, as with all combination showers, using combination showers together causes water pressure to drop in individual showers. Using individually showers to maximize water pressure. Using combination showers together for wider coverage and targeting of different body areas.

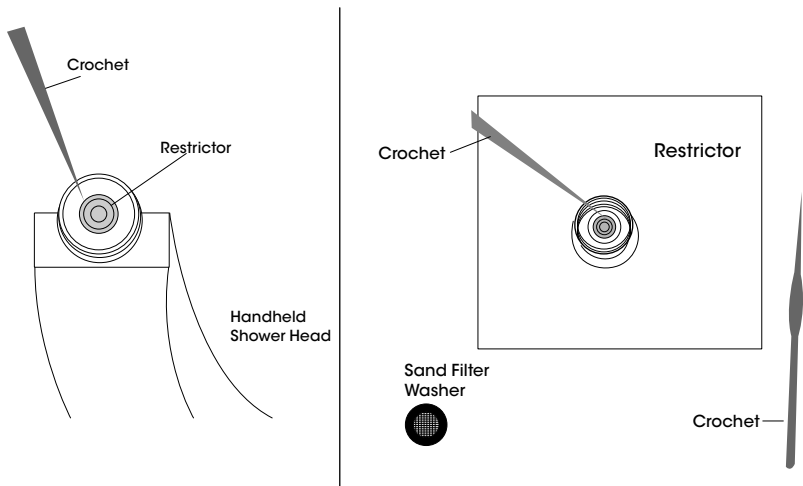
If you have installation problem, please don't return this product before email us first.

E-mail: service24houronline@gmail.com



IMPORTANT
The slide bar is not to be used as a grab bar or for support. It is intended for holding a handshower only. We deny all liability related to any accident, incident or breakage following any usage in breach of this warning.

If you want a more powerful water flow you can choose to remove the restrictor.

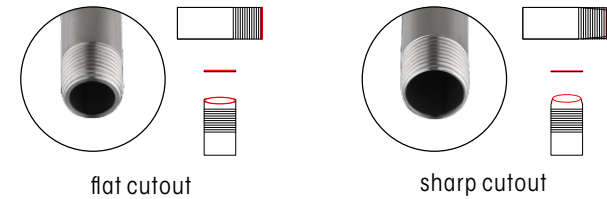


TROUBLE SHOOTING

1. Q: Leaking of this diverter?

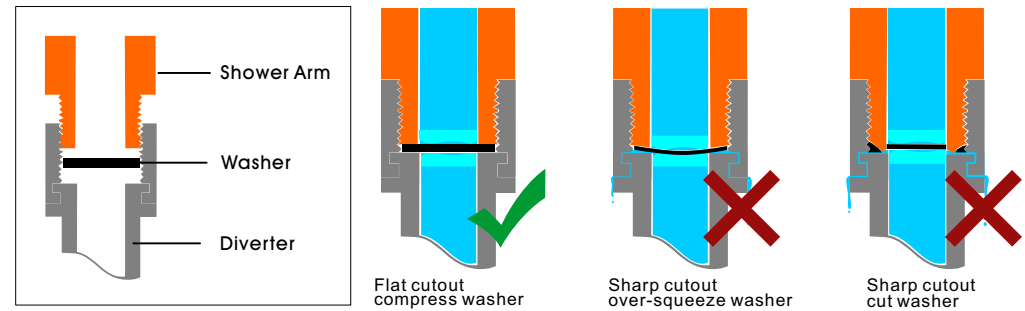
A: Use the flat shower arm nut cutout to connect diverter. Don't use sharp cutout, it'll damage the washer causing the leak.

2. Q: How to distinguish between flat cutout and sharp cutout?



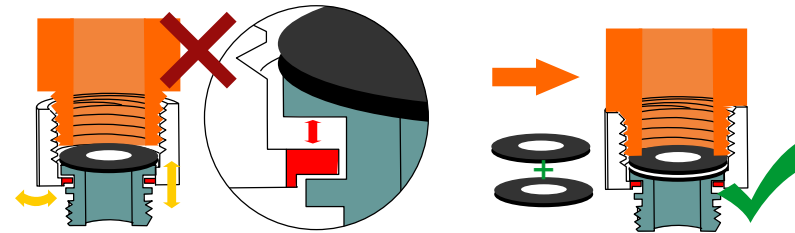
3. Q: How to fix this problem if my shower arm is sharp cutout?

A: Usually the shower arm has one flat cutout and one sharp cutout, you can take off the shower arm and install the sharp cutout on wall, use flat cutout connect this diverter. If your shower arm is cutout on both sides, you should change the shower arm. Otherwise, as long as the diverter of the free-spinning structure is connected to the sharp cutout, leakage will happen.



1. Q: Doesn't on position?

A: Free-Spinning nut connect diverter valve through locking part which is wobble. Usually the thread of the shower arm is long enough to make the flat cutout press the washer to stabilize the locking part by tightening it. If the thread of your shower arm is short, We recommend add another washer and tighten enough. (another one included on box).



Diverter Sway

Locking part didn't on fix position causing by thread of shower arm too short or didn't tighten thread enough.

Diverter Fix

Add another washer to make locking part fix on position or tighten enough.