

Lifestorey[®]
every life has a story...what's yours?

ASSEMBLY INSTRUCTIONS

MONTY 6 DRAWER CHEST

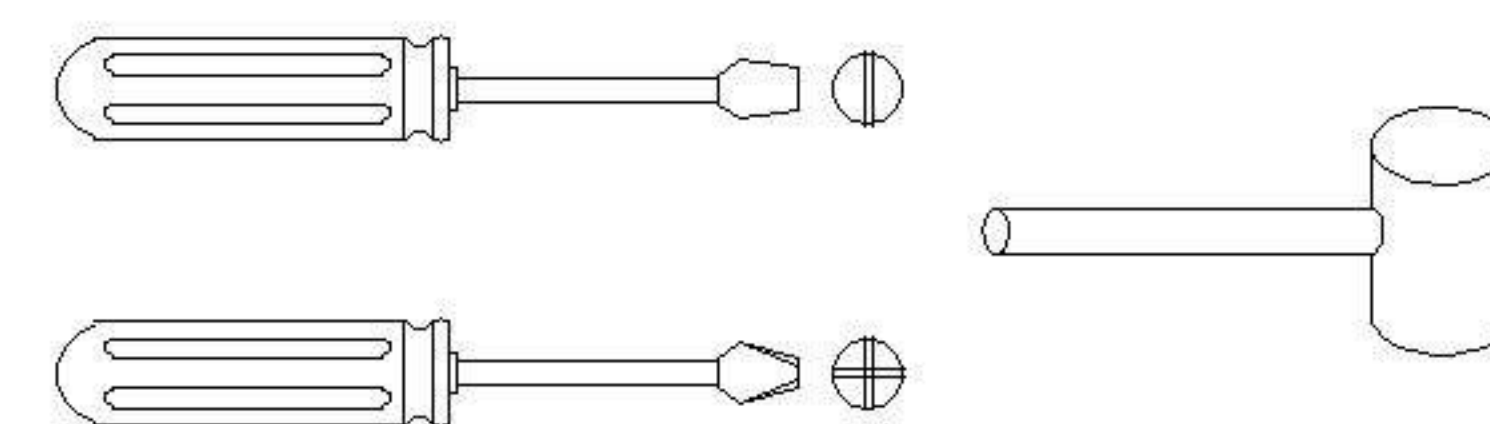
ITEM#27316

ASSEMBLY
REQUIREMENTS

2 – Person
Assembly

2.5Hours
Assembly Time
(Approximate)

Tool Required
(Not Provided)



Thank you for purchasing our product!

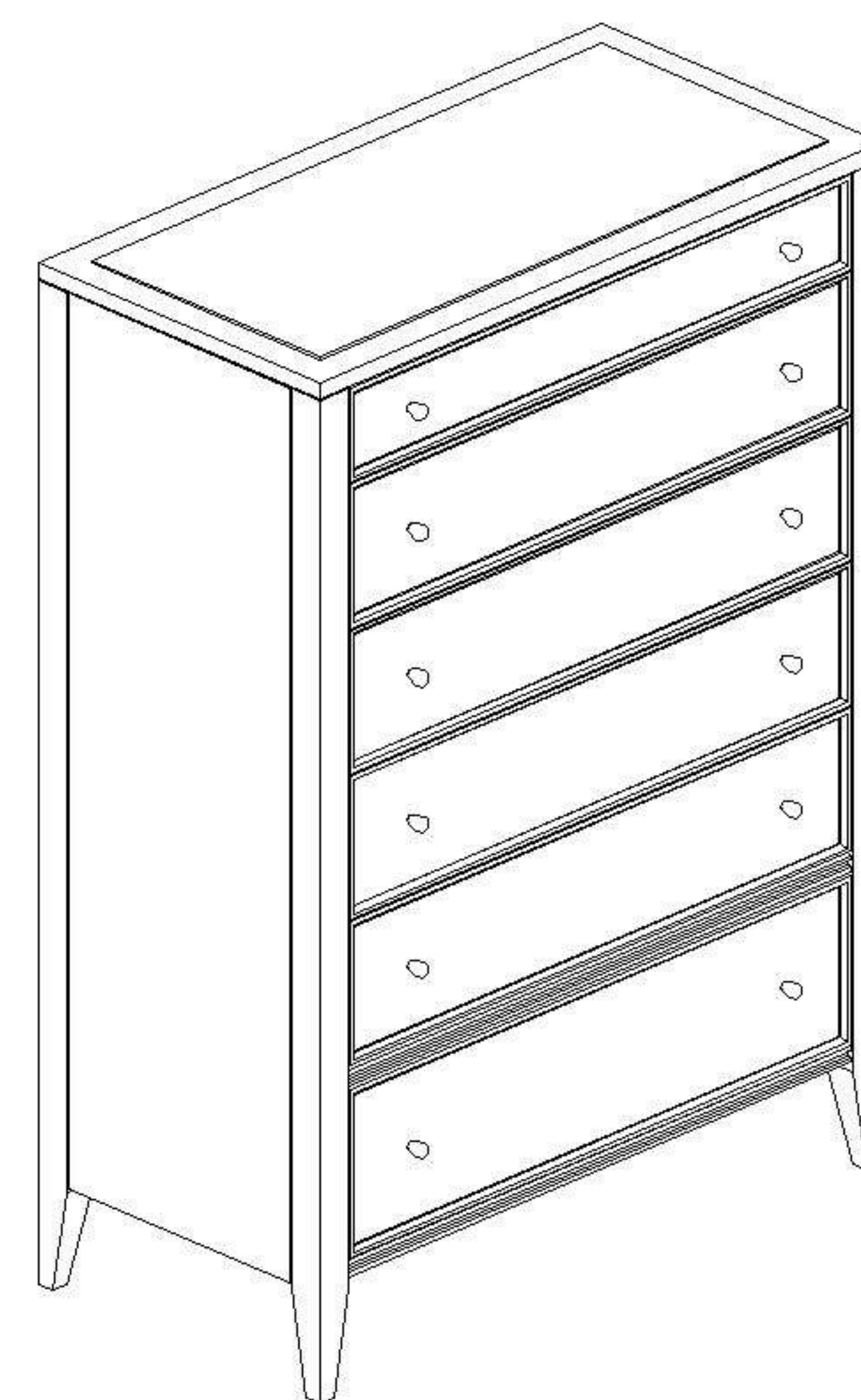
Please refer and use this assembly instruction to assemble the product.
Contact our customer service department in case there are any missing or damaged parts or hardware.
Replacement parts are normally shipped within 2 or 3 days.

Email: replacementparts@buylateral.com
Within 30 days from delivery date

PRODUCTS PURCHASED THROUGH OUR AUTHORIZED VENDORS ONLY ARE ELIGIBLE FOR REPLACEMENT PARTS

We appreciate your business!

THIS PRODUCT IS FOR INDOOR AND HOUSEHOLD USE ONLY – NOT FOR COMMERCIAL USE.



ASSEMBLY PREPARATION:

1. Remove all packaging materials, staples and packing straps from the carton.
2. Refer to Part List and Hardware List and ensure parts and hardware are correct before assembly.
Contact customer service for missing parts.
3. Place all wooden parts on clean, flat and soft surface (e.g. carpet or rug) to prevent scratch and damage to parts.

SAFETY PRECAUTION:

1. Keep ALL HARDWARE PART OUT OF REACH OF CHILDREN.
2. DISPOSE PLASTIC PACKAGING MATERIAL IMMEDIATELY TO AVOID ANY RISK OF SUFFOCATION TO CHILDREN AND ANIMALS

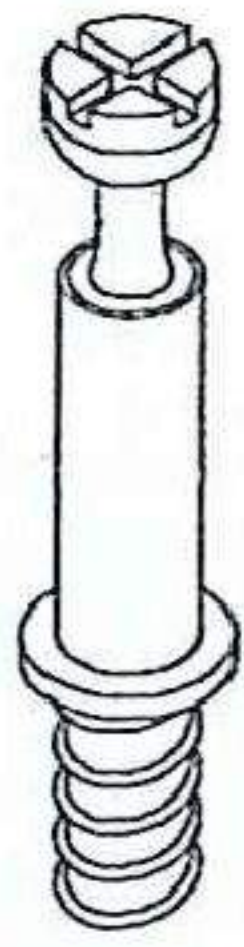
TIPS FOR ASSEMBLY:

1. Allow ample room for assembly and assemble the product near where the product will be placed.
2. Assemble the product on a surface that does not scratch or damage the exterior gloss and finish of the furniture.
3. Identify all the parts, hardware and quantities required for each step.
4. During assembly, do not over-tighten any fittings as this may cause damage.
5. DO NOT USE POWER TOOLS TO ASSEMBLE THIS PRODUCT.
6. Always place the product on a flat, level surface.
7. Do not sit or stand on the partially assembled product; only use the product for which it is intended.

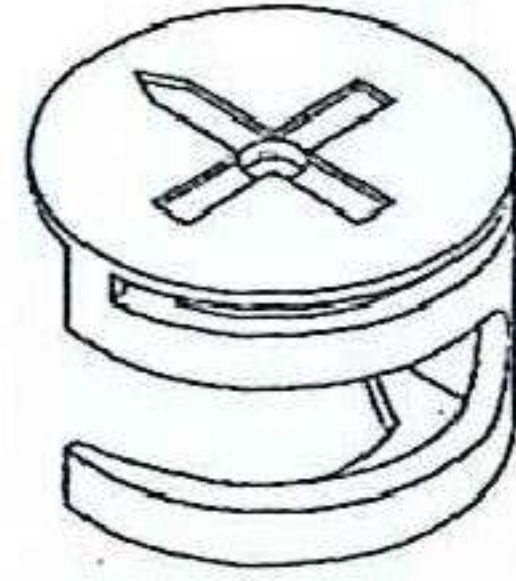
CARE AND MAINTENANCE:

- Wipe clean with a soft, dry cloth; avoid the use of harsh chemicals or household cleaners as they may damage the exterior finish of the furniture.
- **Hardware may loosen over time. Periodically, check that all connections are tight; re-tighten as necessary.**
- Solid wood is impacted by heat and humidity fluctuations which may cause small joint separations or hairline cracks; place the furniture away from direct sunlight and air conditioning vents, heating vents or units to protect the furniture.

INSTRUCTION FOR CAM-BOLT & CAM-LOCK

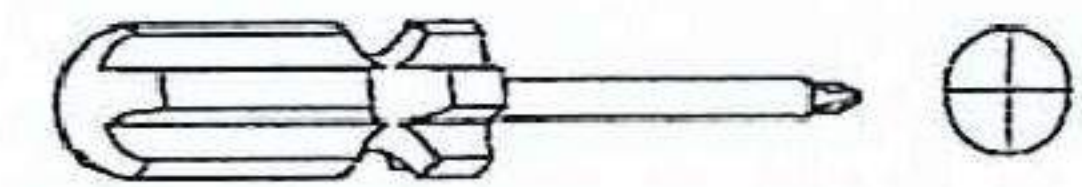
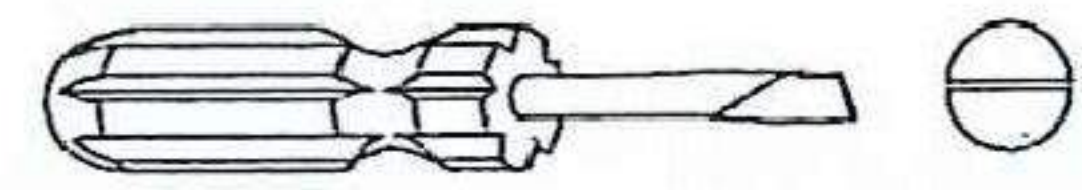


CAM-BOLT

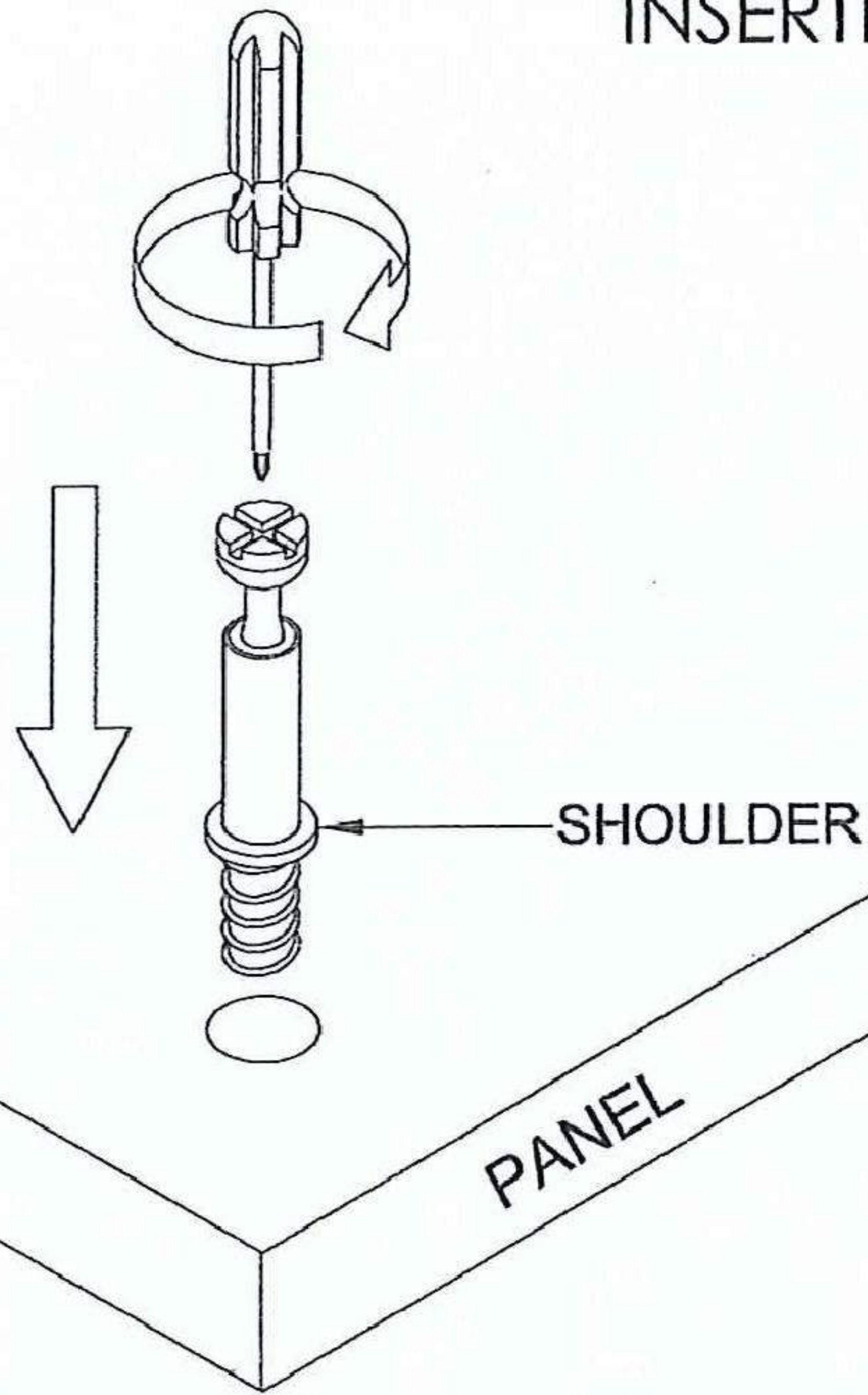


CAM-LOCK

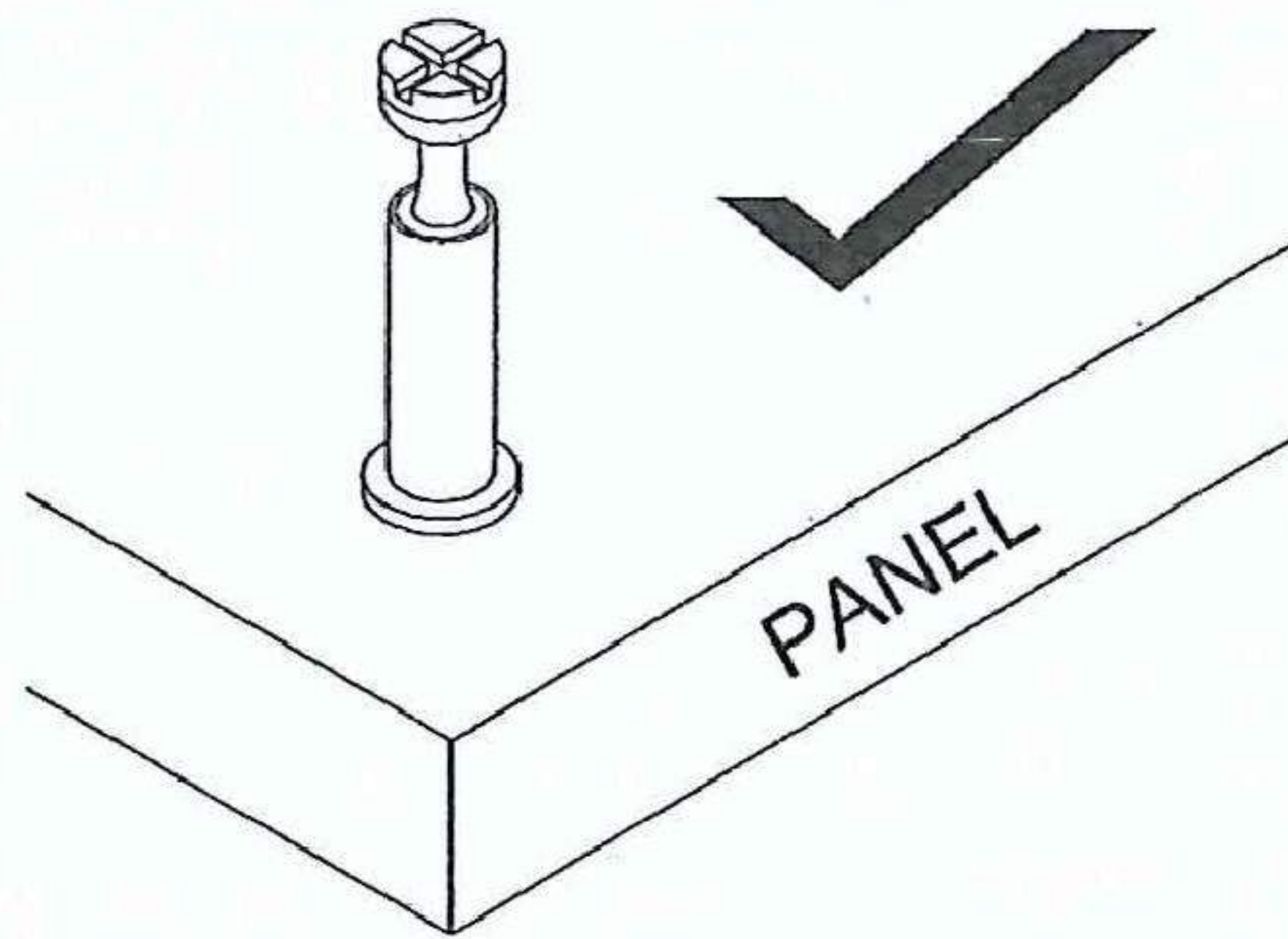
Tools Required



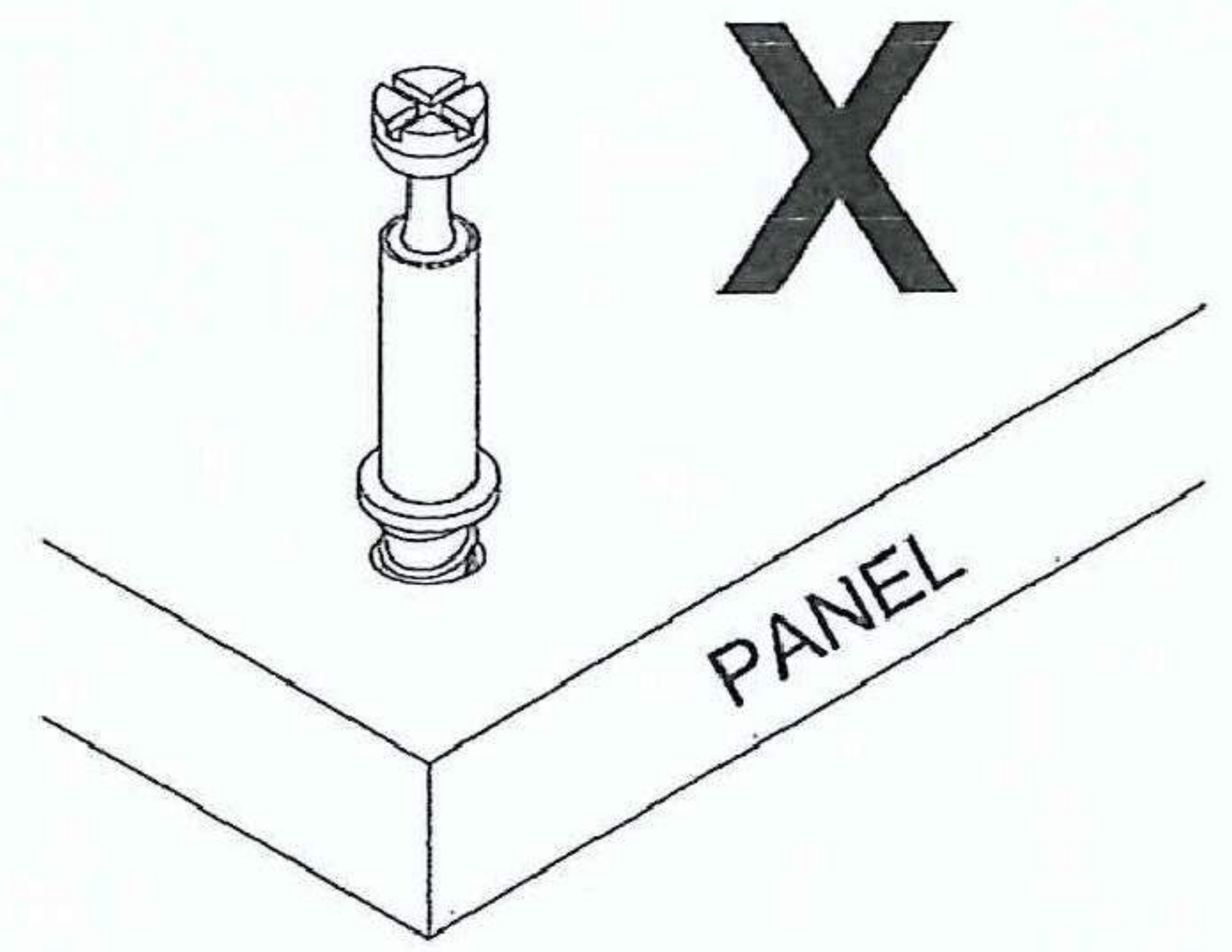
INSERTING AND TIGHTENING CAM-BOLT



Place Cam-bolt on pre-drilled hole and screw in vertically



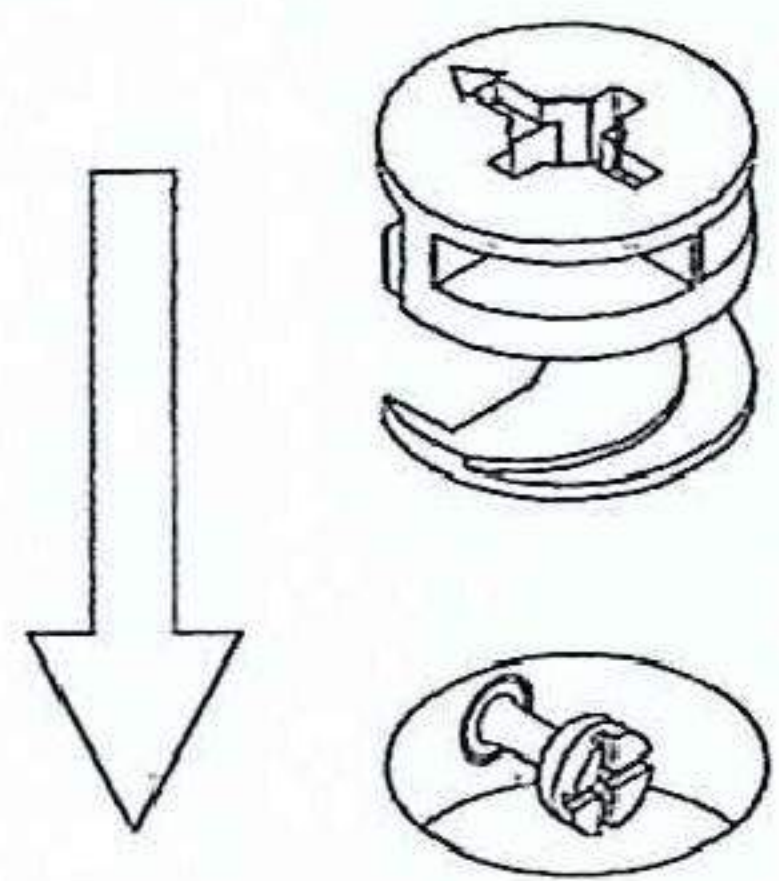
Shoulder is flushed (on the same level) with the panel.



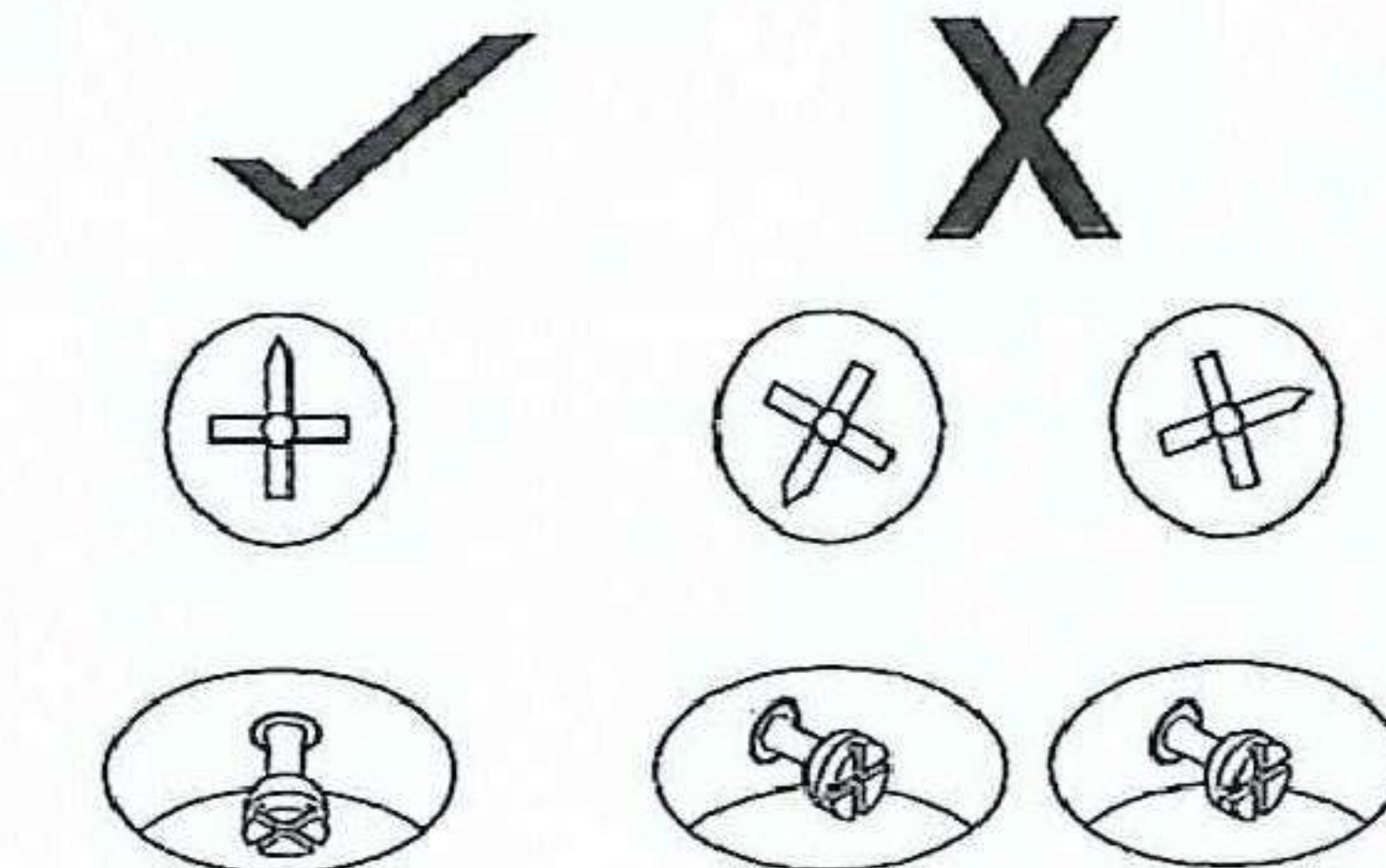
Shoulder is above the panel.

Place Cam-bolt on the designated pre-drilled holes on the panel. Use a Phillips Screwdriver to screw-in Cam-bolt vertically until shoulder is flushed (on the same level) with panel.

INSERTING CAM-LOCK



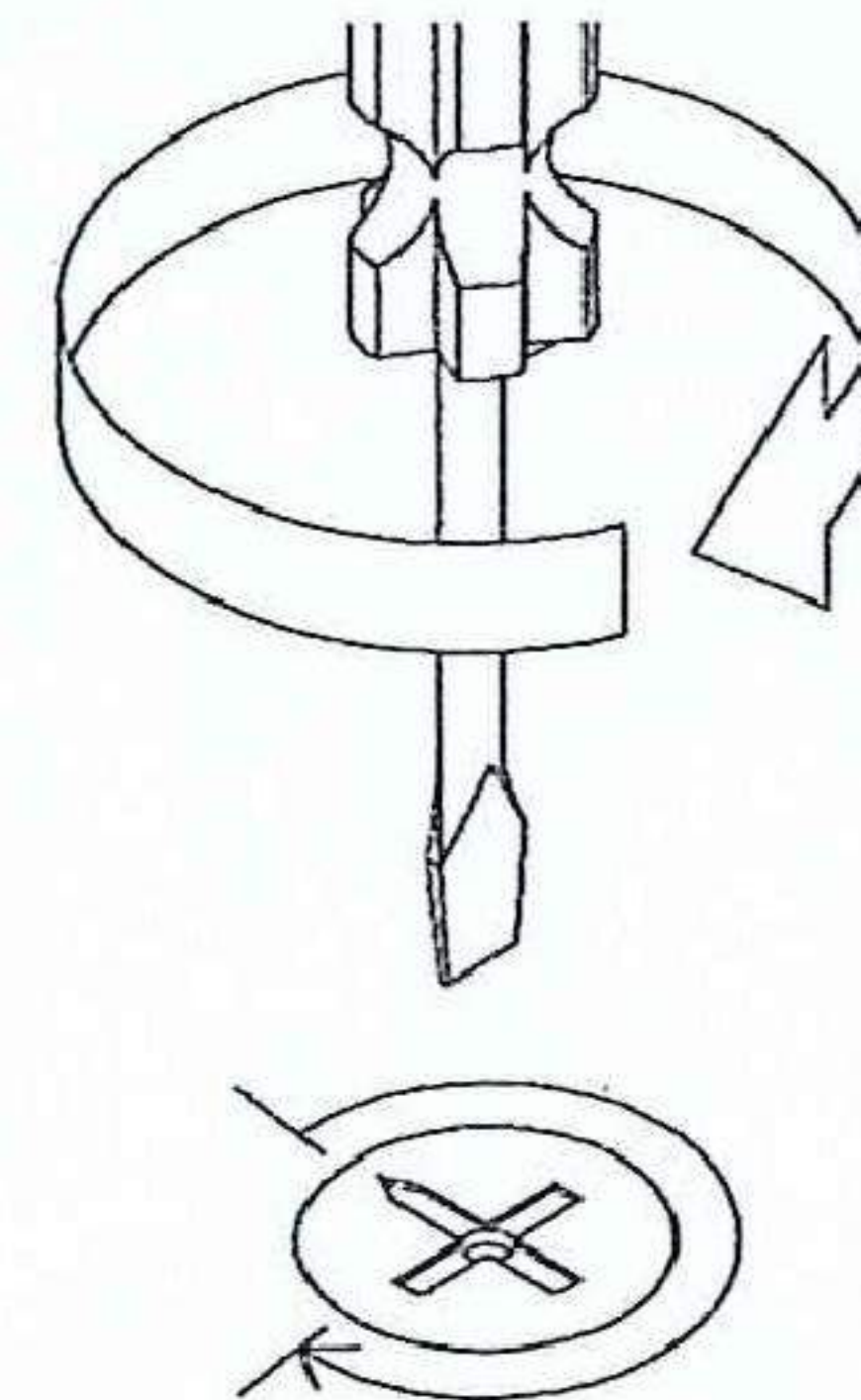
Insert Cam-lock with arrow align to Cam-bolt head



CORRECT

WRONG

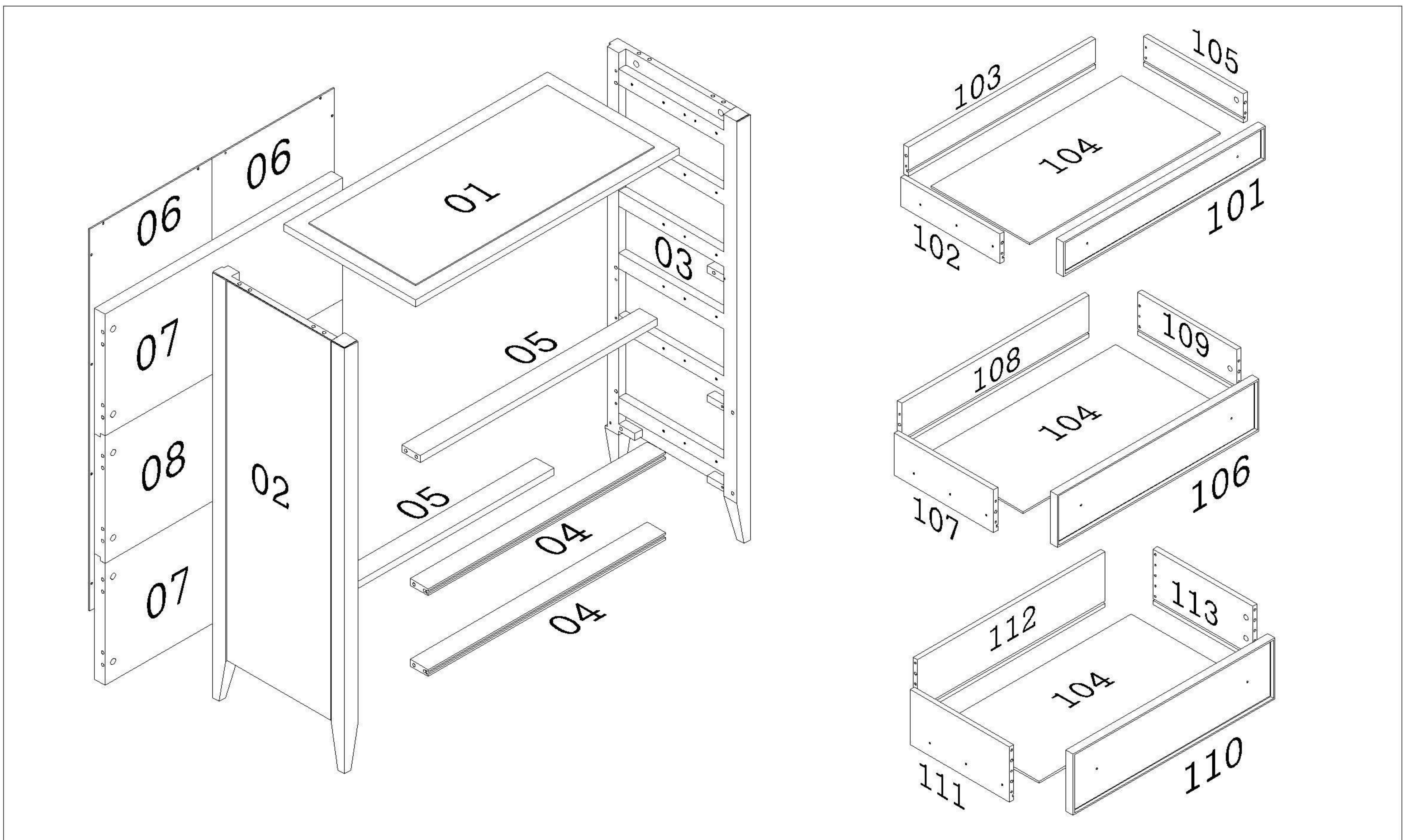
TIGHTENING CAM-LOCK



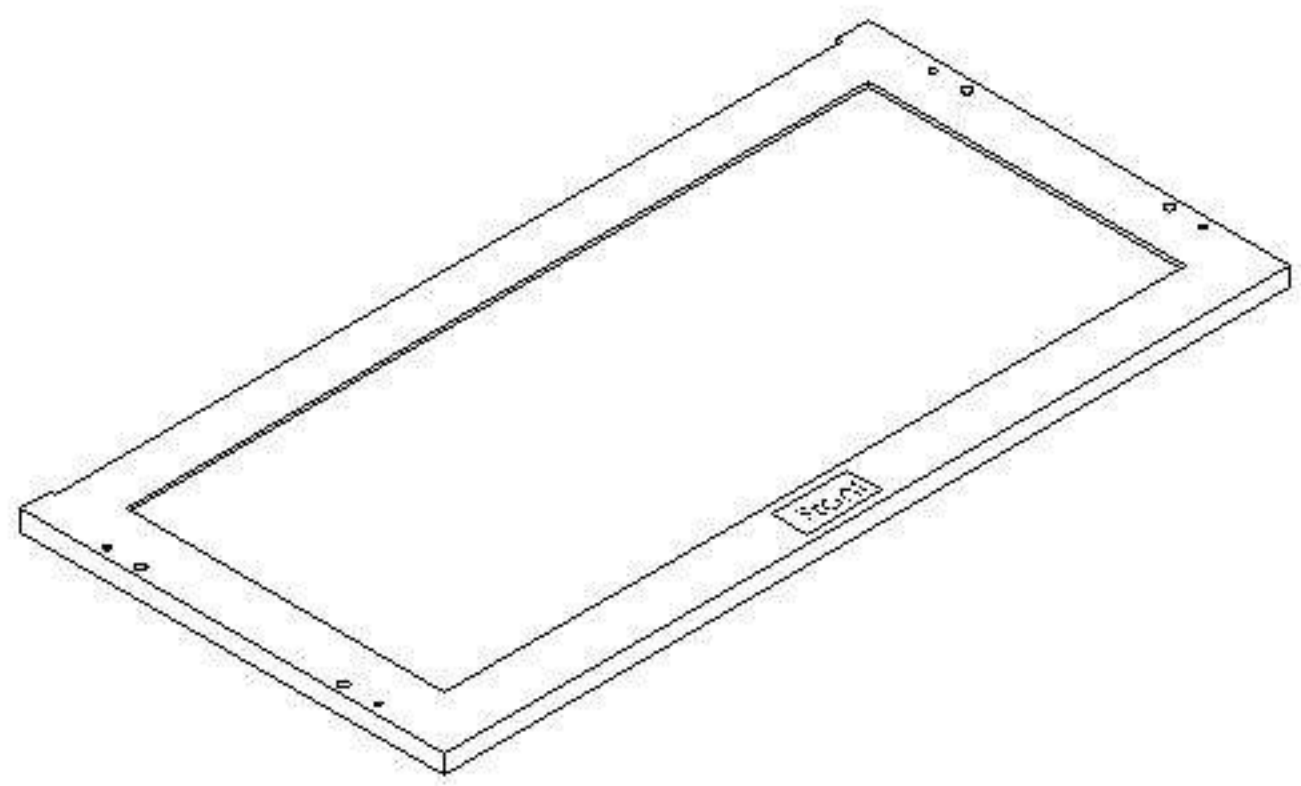
CAM-LOCK

Align the arrow on the Cam-lock to the Cam-bolt head and insert the Cam-lock. Ensure Cam-lock is fully inserted.

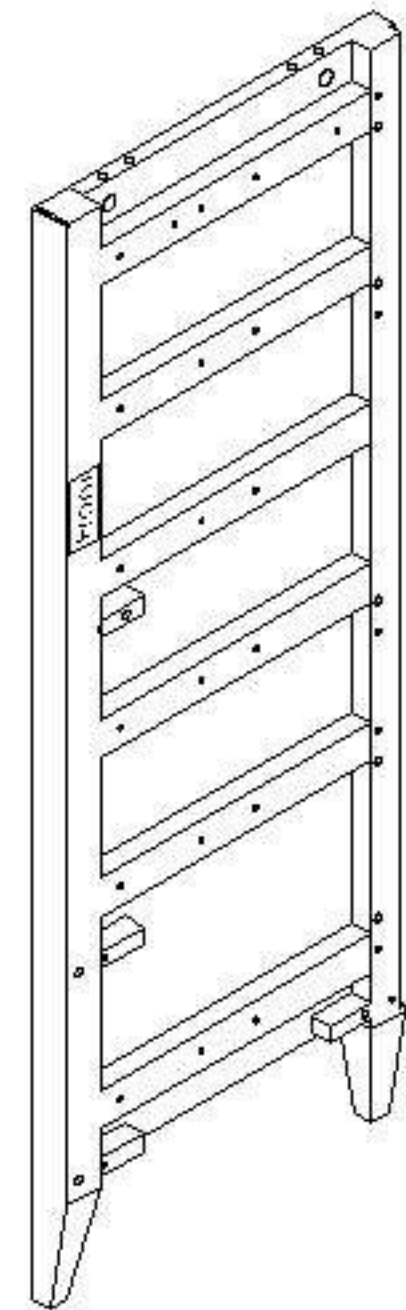
Use a Flat-head Screwdriver to turn Cam-lock clockwise so it locks onto the head of the Cam-bolt. Turn until it is snug (about 3/4ths of a turn) -- over-tightening could damage Cam-lock or/and Cam-bolt.



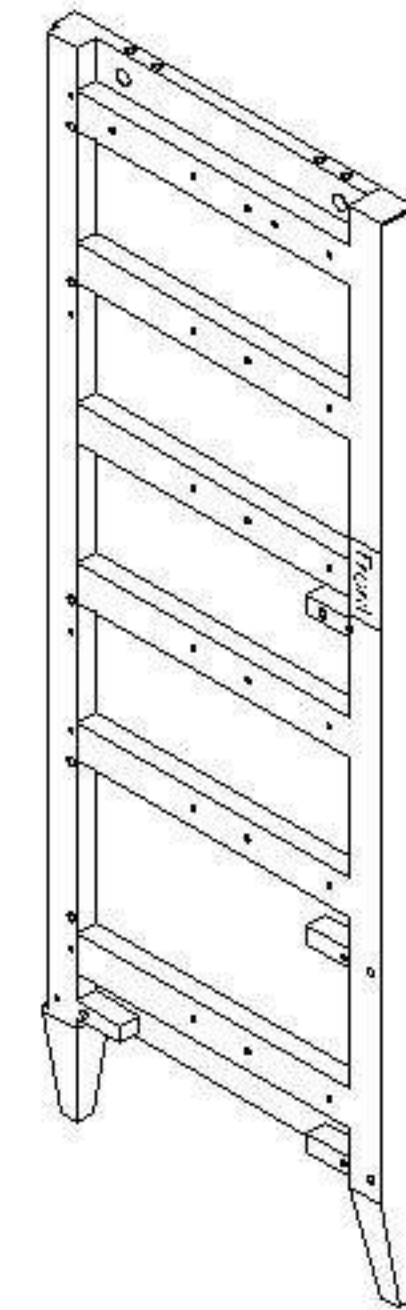
PARTS LIST



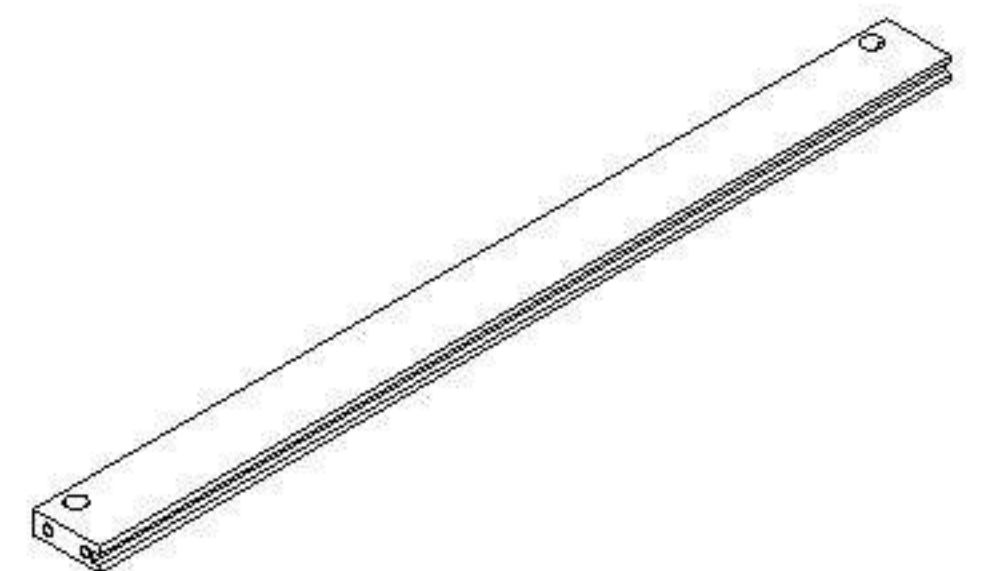
NAME: TOP PANEL
CODE: 1
QTY: 1Pc



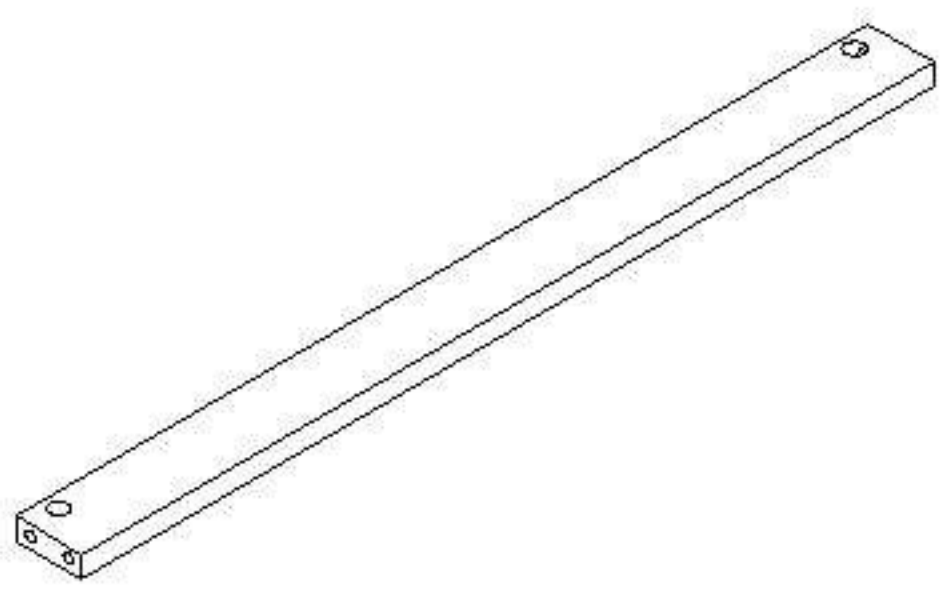
NAME: SIDE PANEL(LEFT)
CODE: 2
QTY: 1Pc



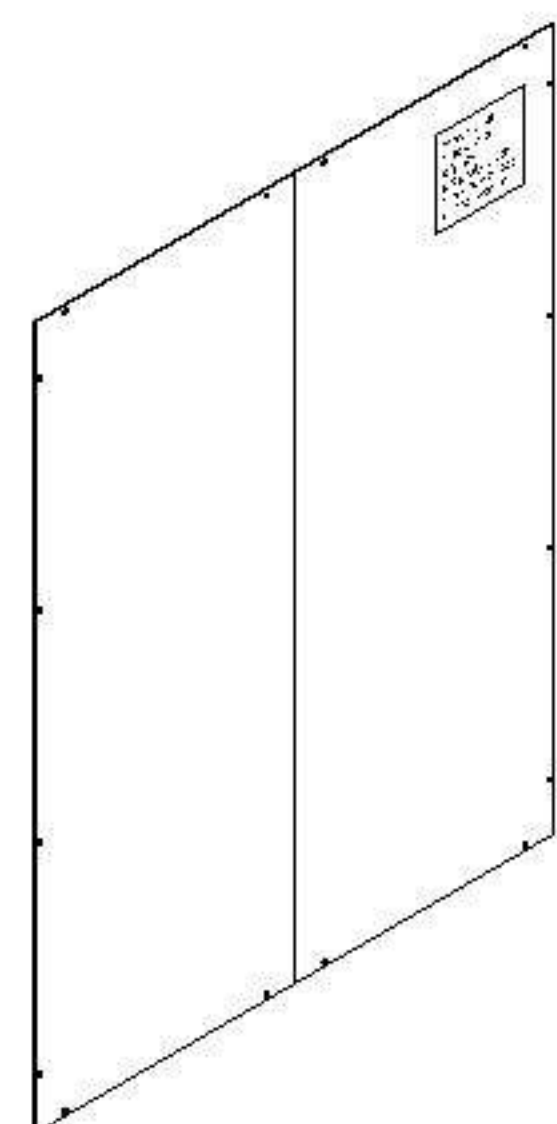
NAME: SIDE PANEL(RIGHT)
CODE: 3
QTY: 1Pc



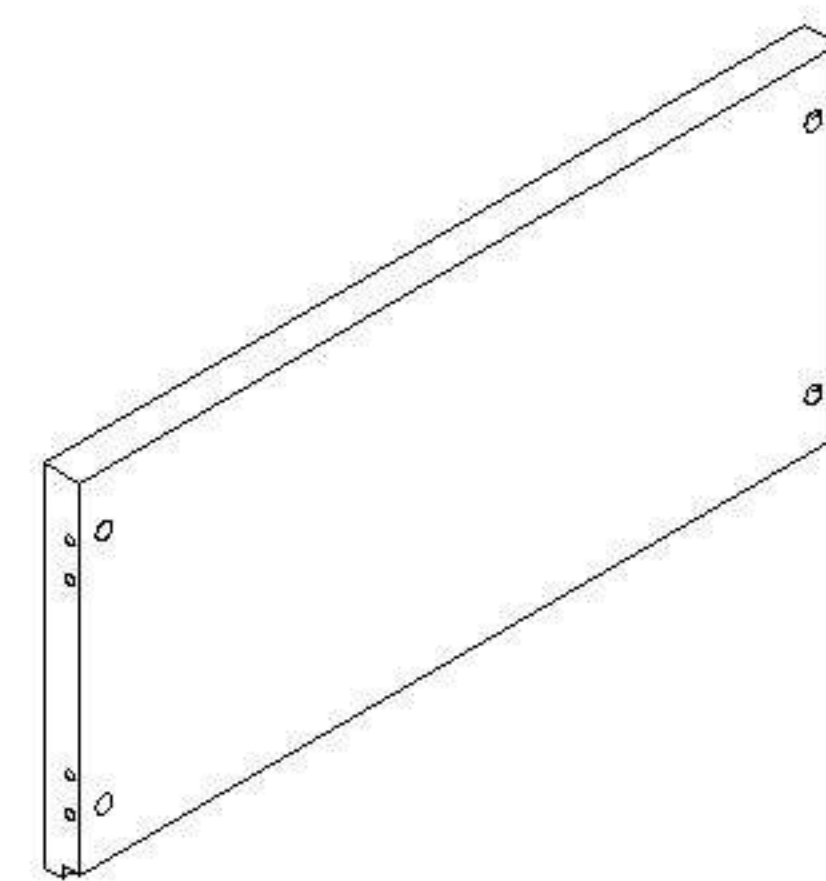
NAME: FRONT BAR
CODE: 4
QTY: 2Pcs



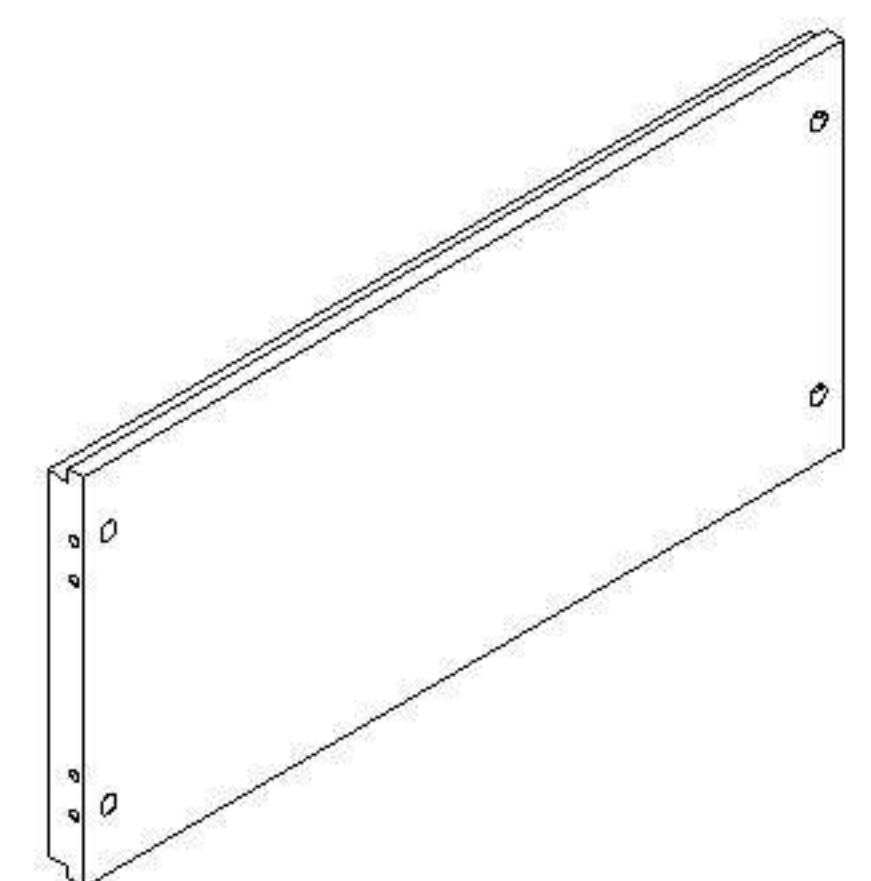
NAME: CENTER BAR
CODE: 5
QTY: 2Pcs



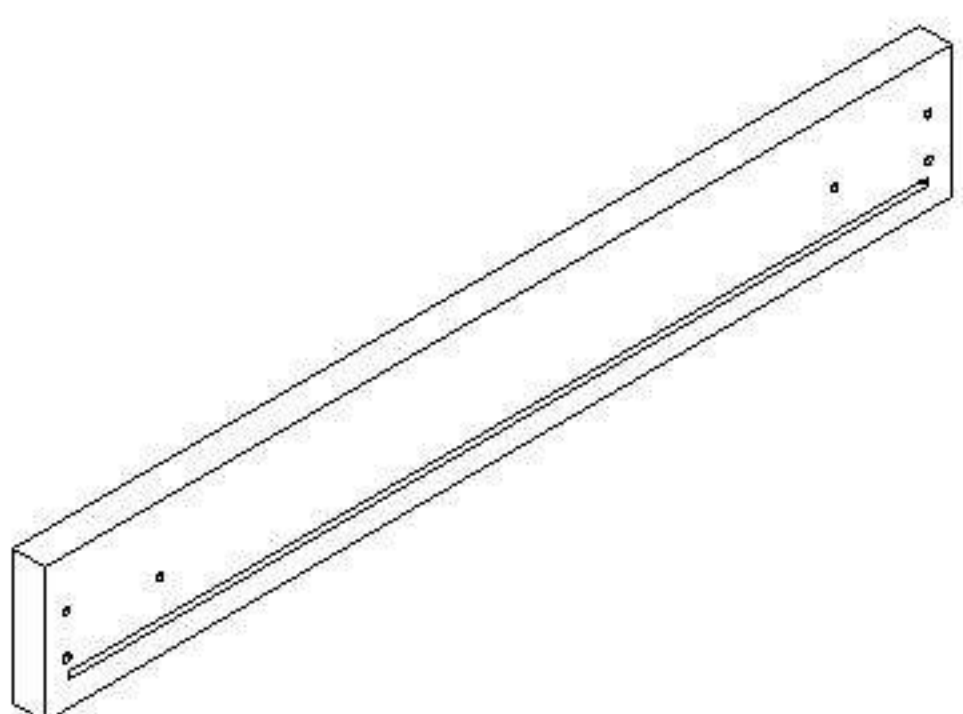
NAME: BACK PLYWOOD
CODE: 6
QTY: 1Pc



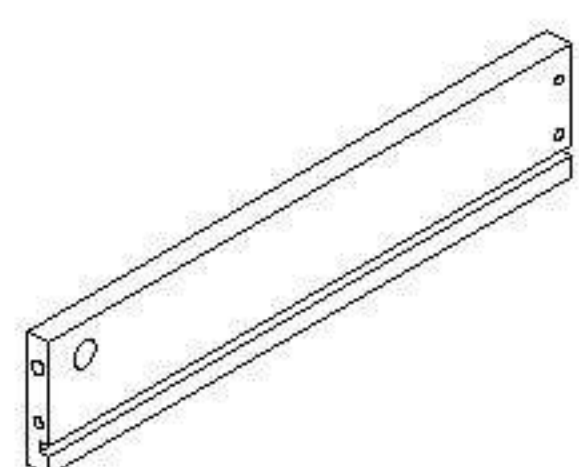
NAME: BACK EDGE PANEL
CODE: 7
QTY: 2Pcs



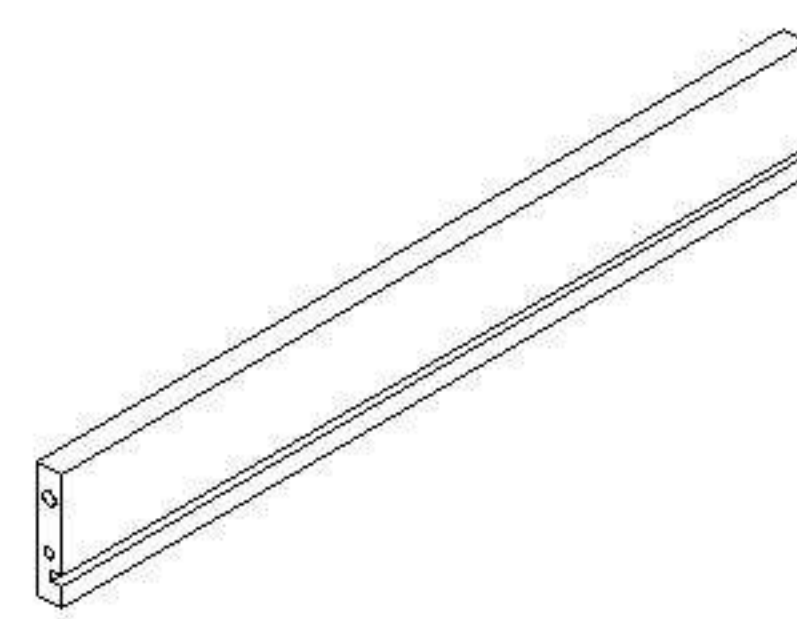
NAME: BACK EDGE CENTER PANEL
CODE: 8
QTY: 1Pc



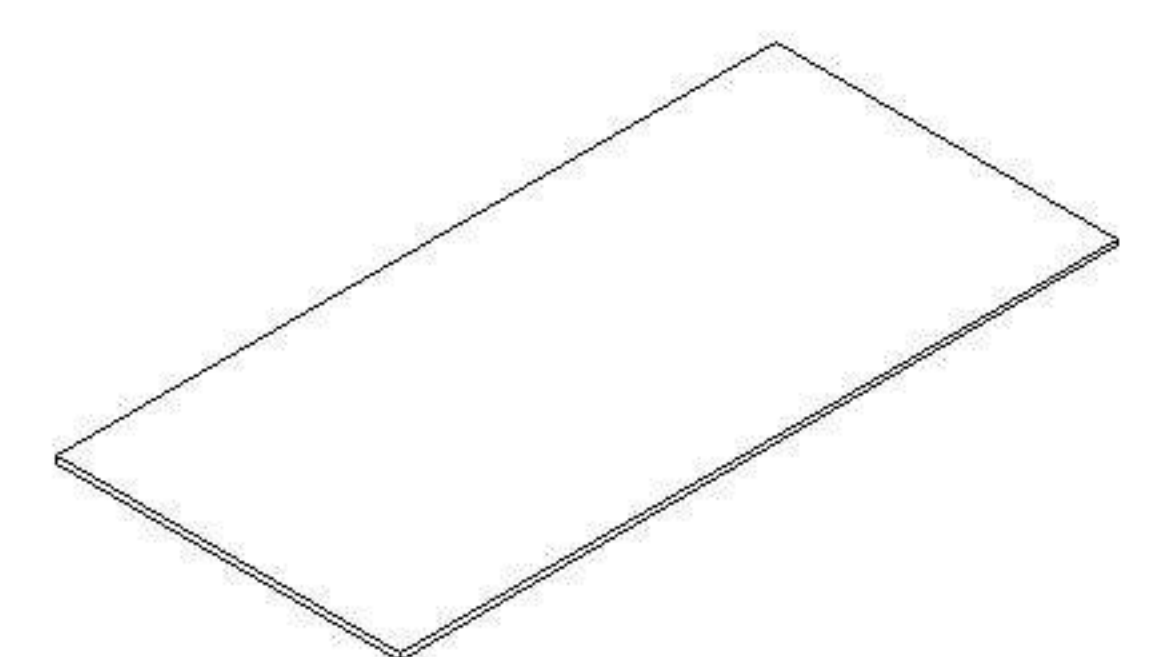
NAME: SMALL DRAWER FRONT
CODE: 101
QTY: 1Pc



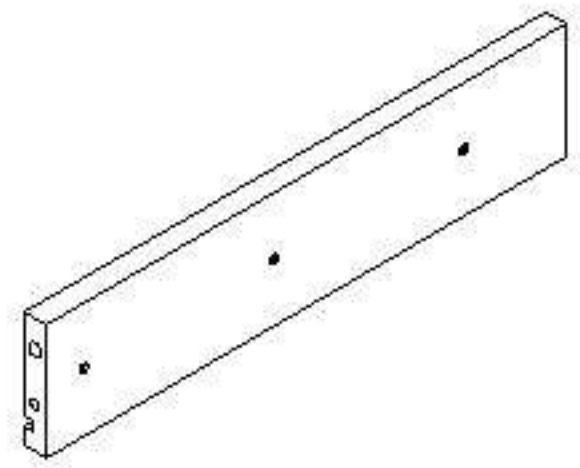
NAME: SMALL DRAWER SIDE(LEFT)
CODE: 102
QTY: 1Pc



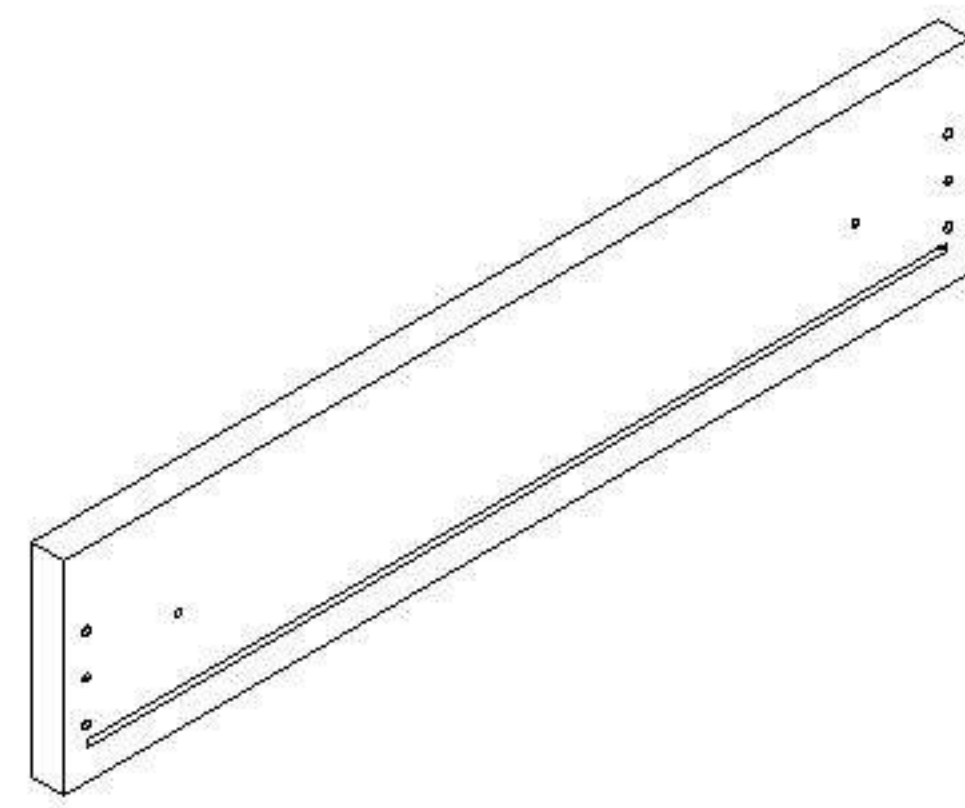
NAME: SMALL DRAWER BACK
CODE: 103
QTY: 1Pc



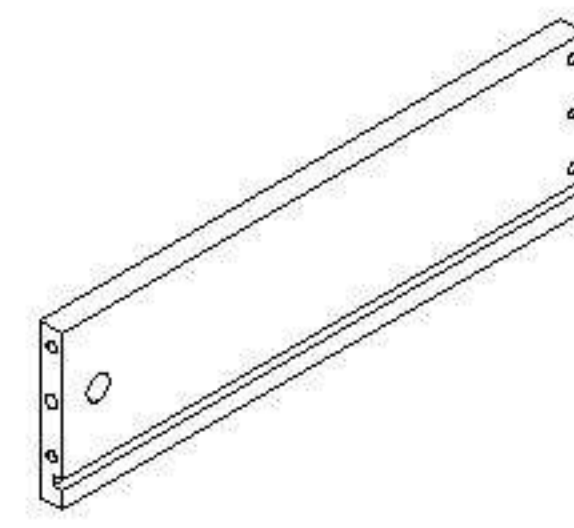
NAME: DRAWER BASE
CODE: 104
QTY: 6Pcs



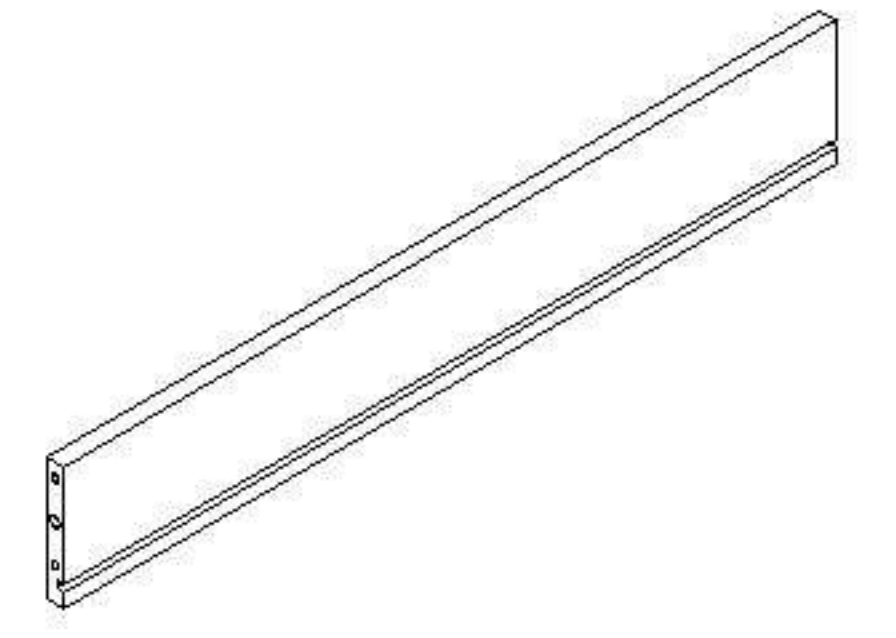
NAME: SMALL DRAWER SIDE(RIGHT)
 CODE: 105
 QTY: 1Pc



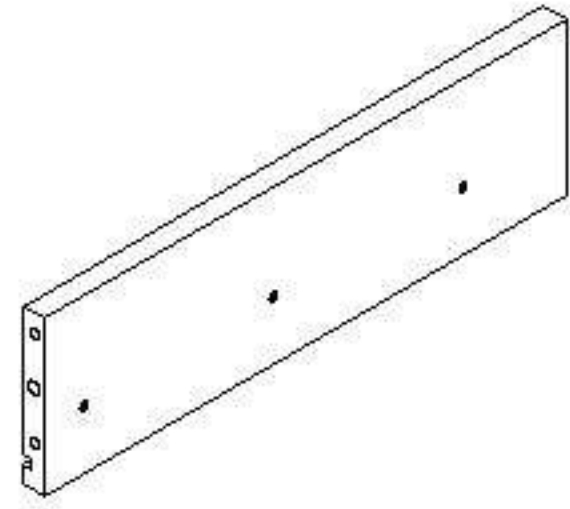
NAME: MEDIUM DRAWER FRONT
 CODE: 106
 QTY: 4Pcs



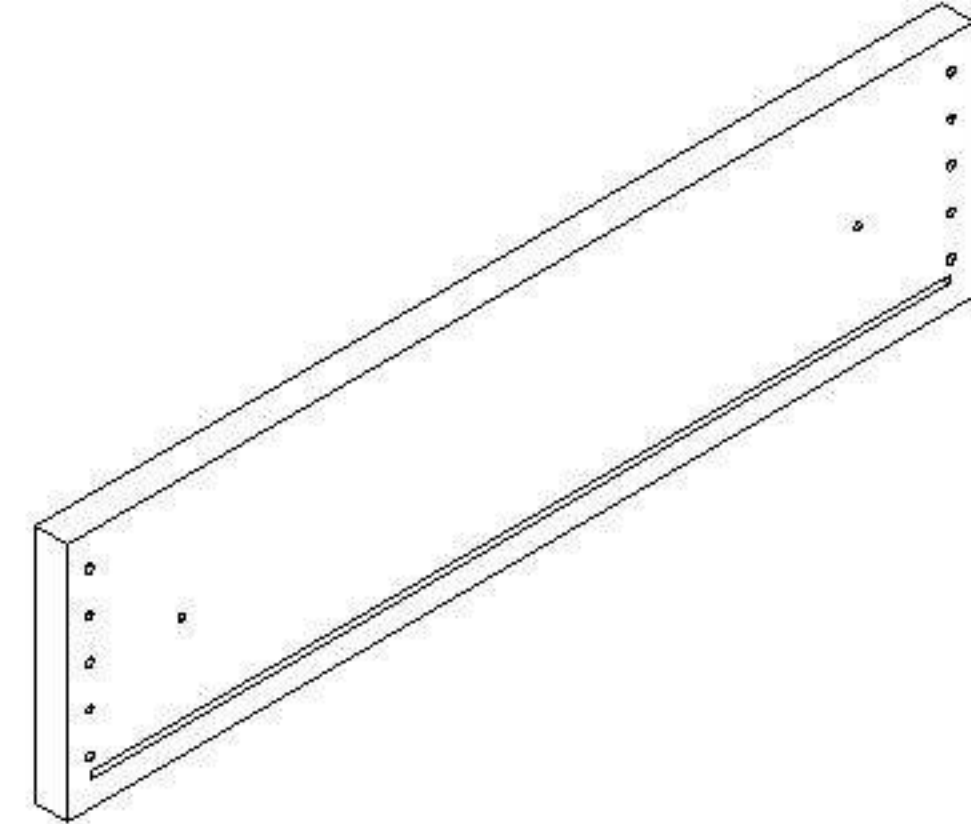
NAME: MEDIUM DRAWER SIDE(LEFT)
 CODE: 107
 QTY: 4Pcs



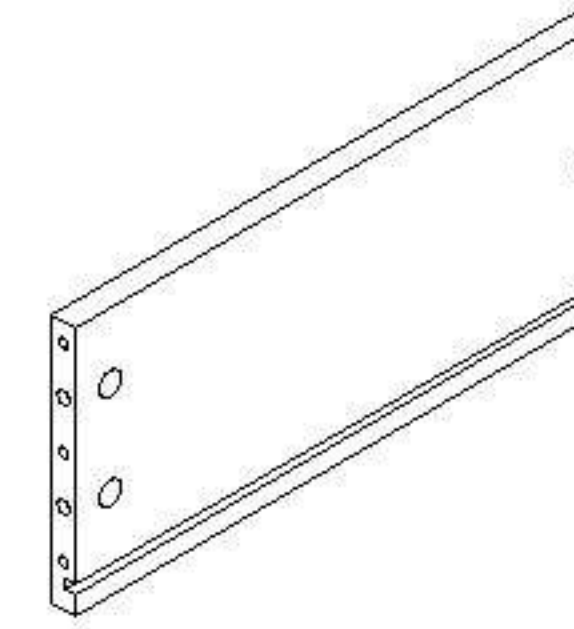
NAME: MEDIUM DRAWER BACK
 CODE: 108
 QTY: 4Pcs



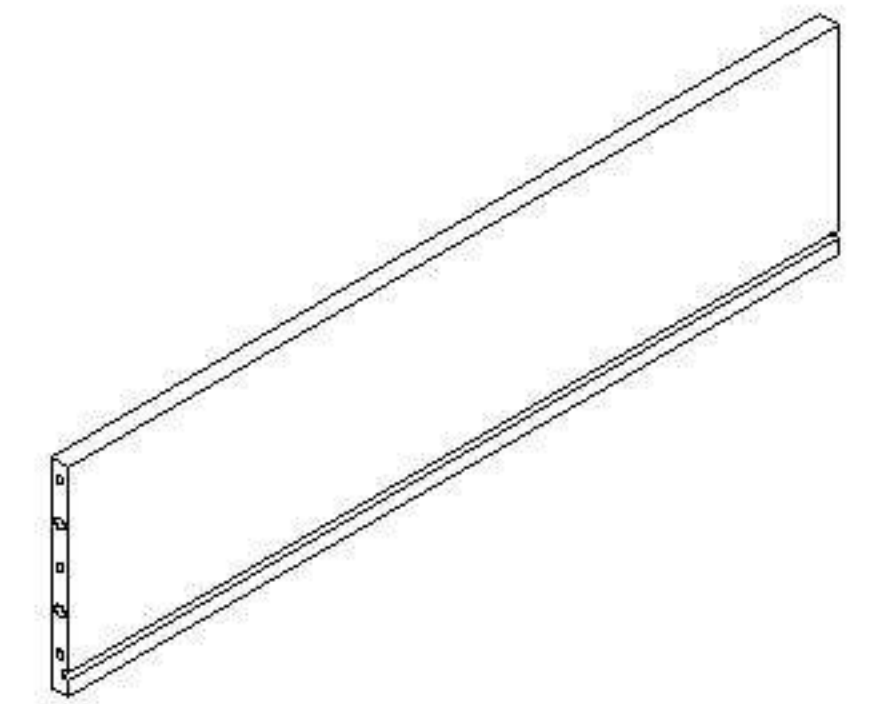
NAME: MEDIUM DRAWER SIDE(RIGHT)
 CODE: 109
 QTY: 4Pcs



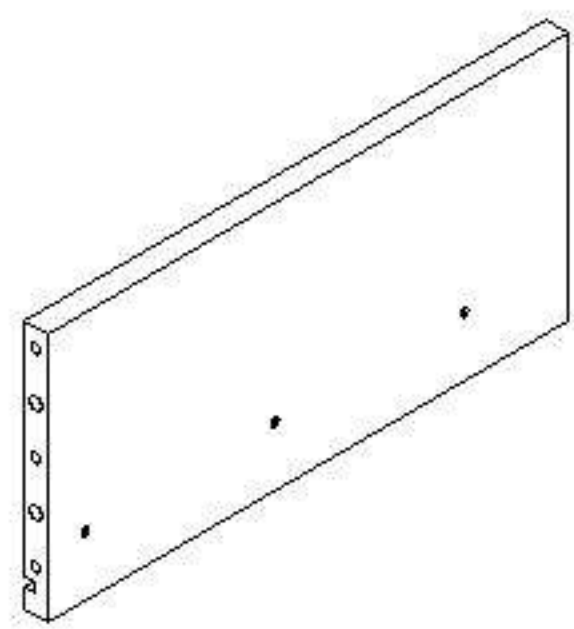
NAME: BIG DRAWER FRONT
 CODE: 110
 QTY: 1Pc



NAME: BIG DRAWER SIDE(LEFT)
 CODE: 111
 QTY: 1Pc



NAME: BIG DRAWER BACK
 CODE: 112
 QTY: 1Pc



NAME: BIG DRAWER SIDE(RIGHT)
 CODE: 113
 QTY: 1Pc

PARTS IN BOX 1

NAME: TOP PANEL	QTY: 1Pc	CODE: 1
NAME: FRONT BAR	QTY: 2Pcs	CODE: 4
NAME: CENTER&BACK BAR	QTY: 2Pcs	CODE: 5
NAME: SMALL DRAWER FRONT	QTY: 1Pc	CODE: 101
NAME: MEDIUM DRAWER FRONT	QTY: 4Pcs	CODE: 106
NAME: BIG DRAWER FRONT	QTY: 1Pc	CODE: 110
NAME: DRAWER BASE	QTY: 6Pcs	CODE: 104
NAME: RUNNER	QTY: 1Pack	
NAME: HARDWARE + AI	QTY: 1Pack	

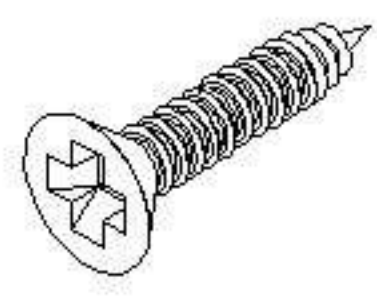
PARTS IN BOX 2

NAME: SIDE PANEL(LEFT)	QTY: 1Pc	CODE: 2
NAME: SIDE PANEL(RIGHT)	QTY: 1Pc	CODE: 3
NAME: BACK PLYWOOD	QTY: 1Pc	CODE: 6

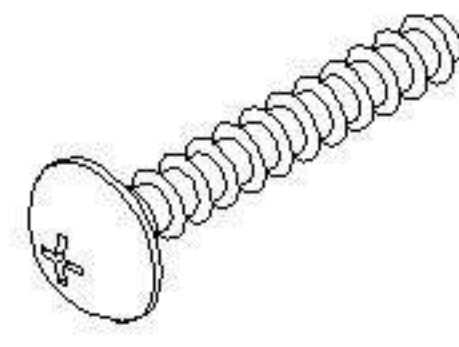
PARTS IN BOX 3

NAME: BACK EDGE PANEL	QTY: 2Pcs	CODE: 7
NAME: BACK CENTER PANEL	QTY: 1Pc	CODE: 8
NAME: SMALL DRAWER SIDE(LEFT)	QTY: 1Pc	CODE: 102
NAME: SMALL DRAWER BACK	QTY: 1Pc	CODE: 103
NAME: SMALL DRAWER SIDE(RIGHT)	QTY: 1Pc	CODE: 105
NAME: MEDIUM DRAWER SIDE(LEFT)	QTY: 4Pcs	CODE: 107
NAME: MEDIUM DRAWER BACK	QTY: 4Pcs	CODE: 108
NAME: MEDIUM DRAWER SIDE(RIGHT)	QTY: 4Pcs	CODE: 109
NAME: BIG DRAWER SIDE(LEFT)	QTY: 1Pc	CODE: 111
NAME: BIG DRAWER BACK	QTY: 1Pc	CODE: 112
NAME: BIG DRAWER SIDE(RIGHT)	QTY: 1Pc	CODE: 113

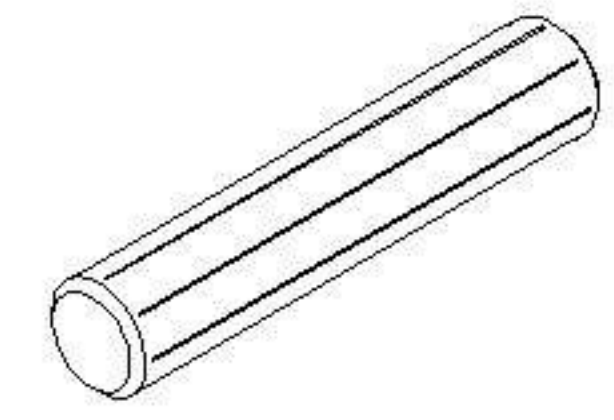
HARDWARE LIST



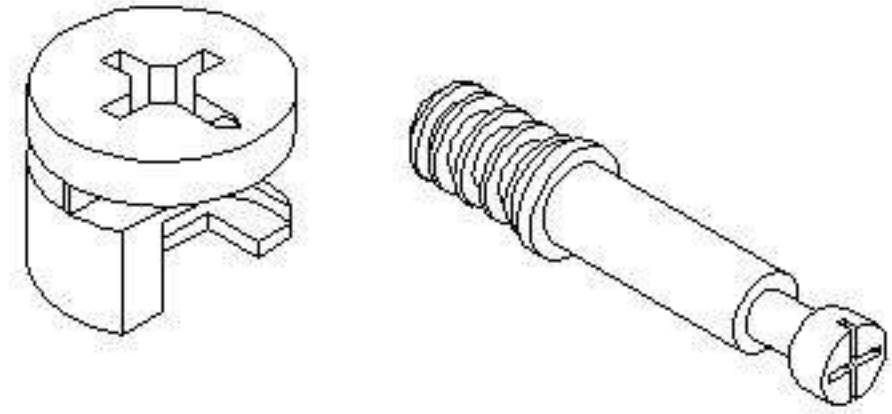
NAME: CHIPBOARD SCREW M3X16mm
CODE: A
QTY: 72Pcs



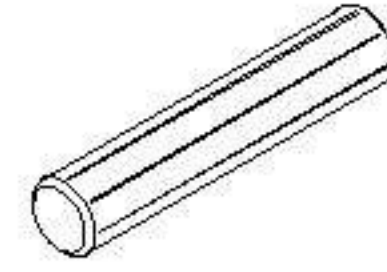
NAME: PANHEAD SCREW M4X22mm
CODE: B
QTY: 12Pcs



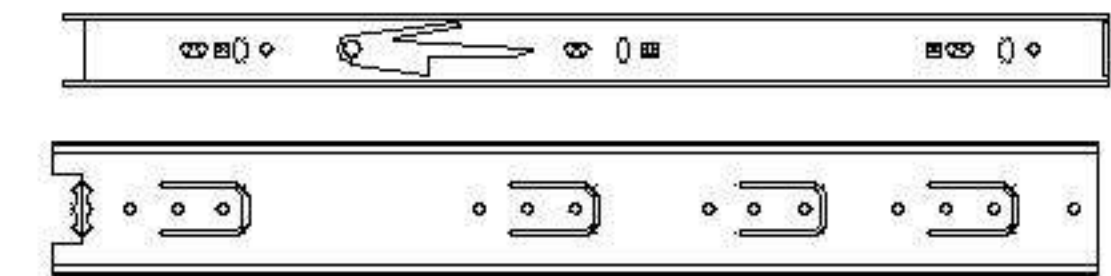
NAME: WOOD DOWEL M8X35mm
CODE: C
QTY: 24Pcs



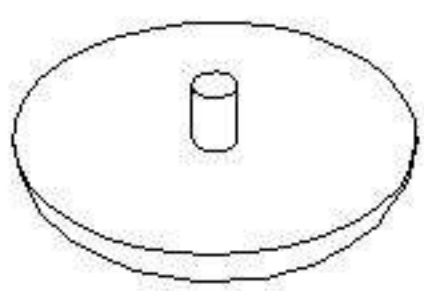
NAME: CAM LOCK & CAM BOLT
CODE: D
QTY: 52Sets



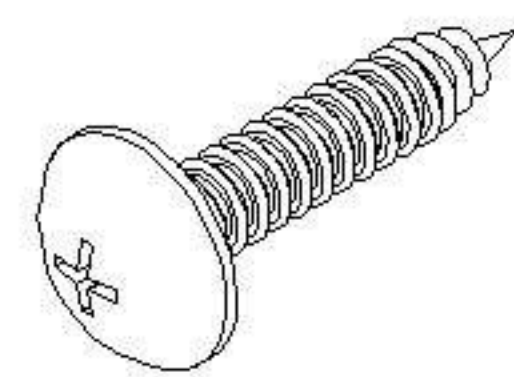
NAME: WOOD DOWEL M6X30mm
CODE: E
QTY: 48Pcs



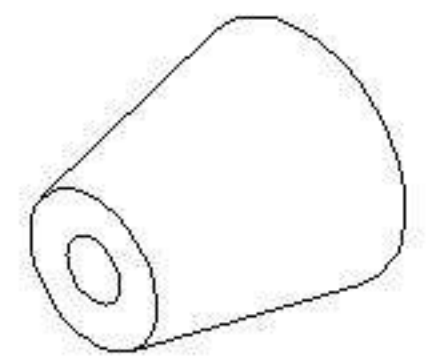
NAME: EXTENSION RUNNER 250mm
CODE: F
QTY: 6Sets



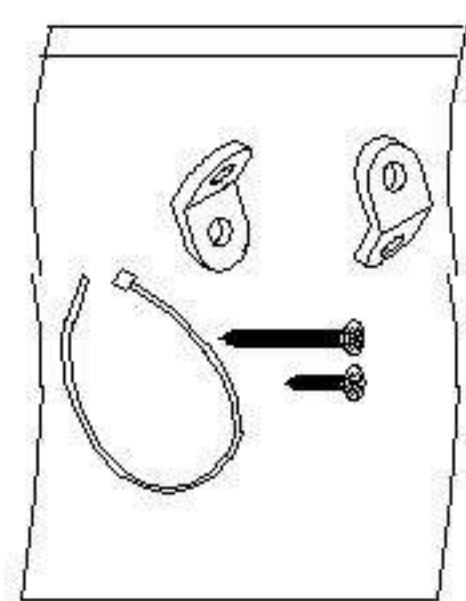
NAME: CAM LOCK COVER
CODE: G
QTY: 52Pcs



NAME: PANHEAD CHIPBOARD SCREW M4X16mm(BLACK)
CODE: H
QTY: 16Pcs

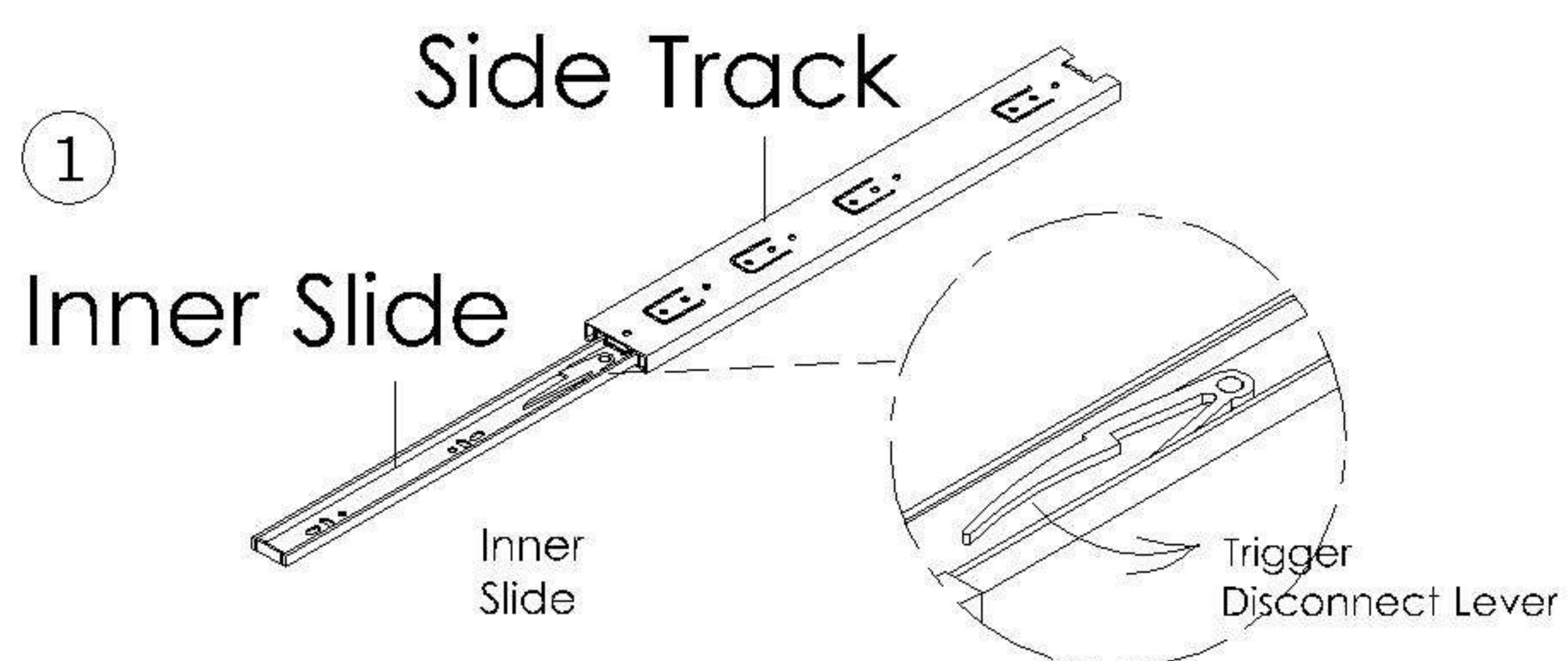


NAME: HANDLE
CODE: I
QTY: 12Pcs

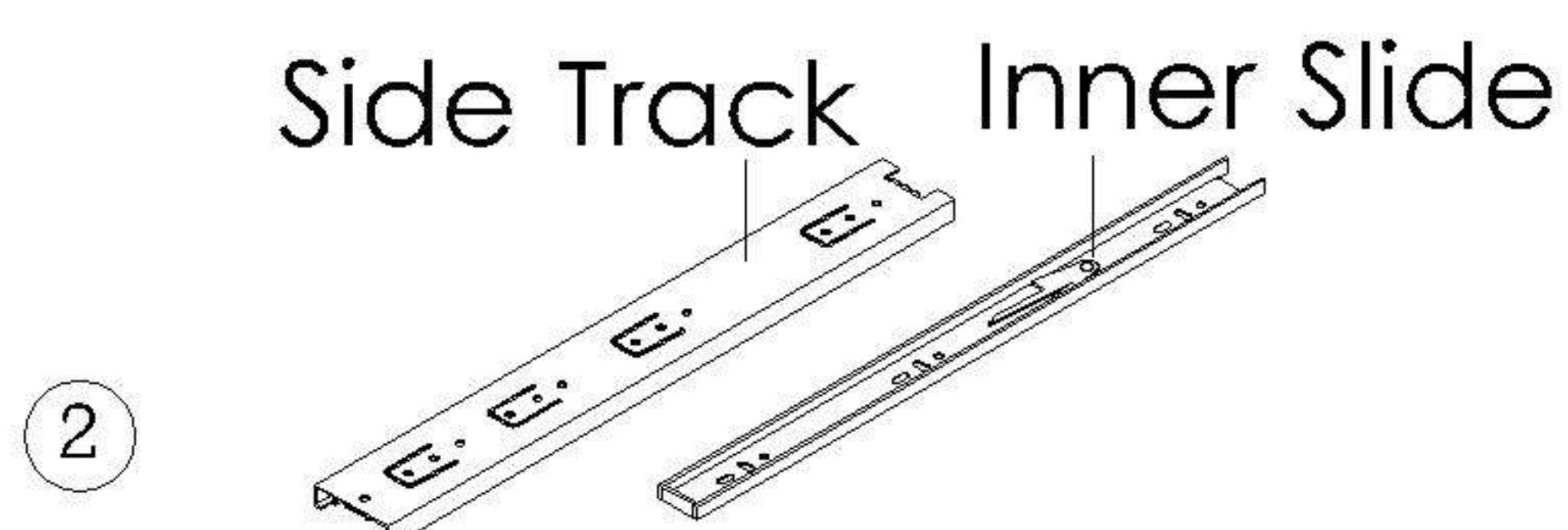


NAME: Anti-Tipping Kit
CODE: Z
QTY: 2Sets

DRAWER SLIDE DISASSEMBLE STEPS:

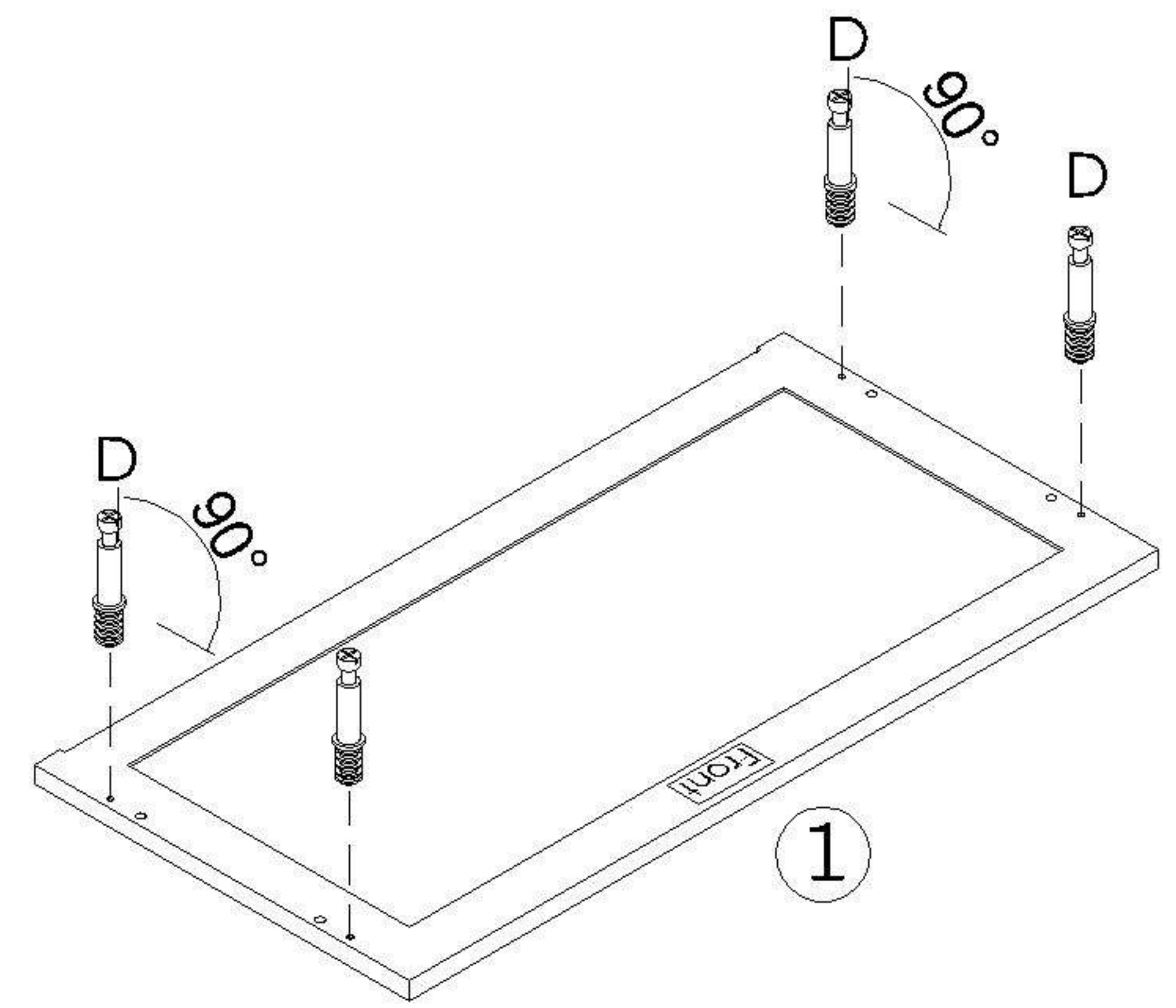


- A) Distinguish between Slide Track and Inner Slide of Drawer Slide.
- B) Slide out H1 from H2 until Trigger Disconnect Lever is visible.
- C) Depress the Trigger Disconnect Lever in the groove of H1 and at the same time slide out H2 completely from H1.



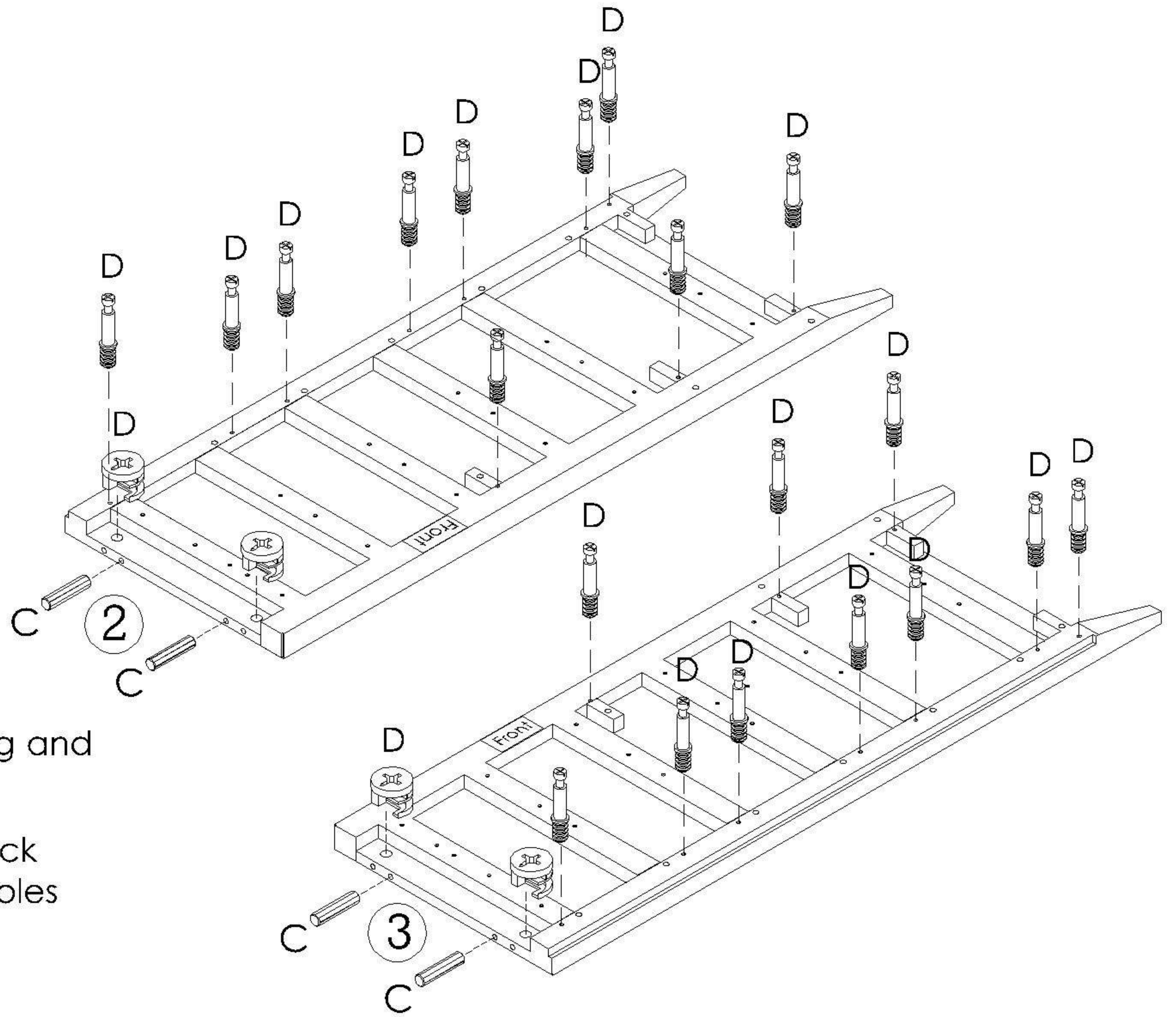
STEP 1

- A) Insert & secure Cam-Bolt (D) to Top Panel (1).



STEP 2

- A) Insert Wood Dowel(C) to Left,Right Side Panel(2,3).
 B) Attach Cam Lock(D) to Left,Right Side Panel(2,3).
 C) Attach Cam Bolt(D) to Left,Right Side Panel(2,3).

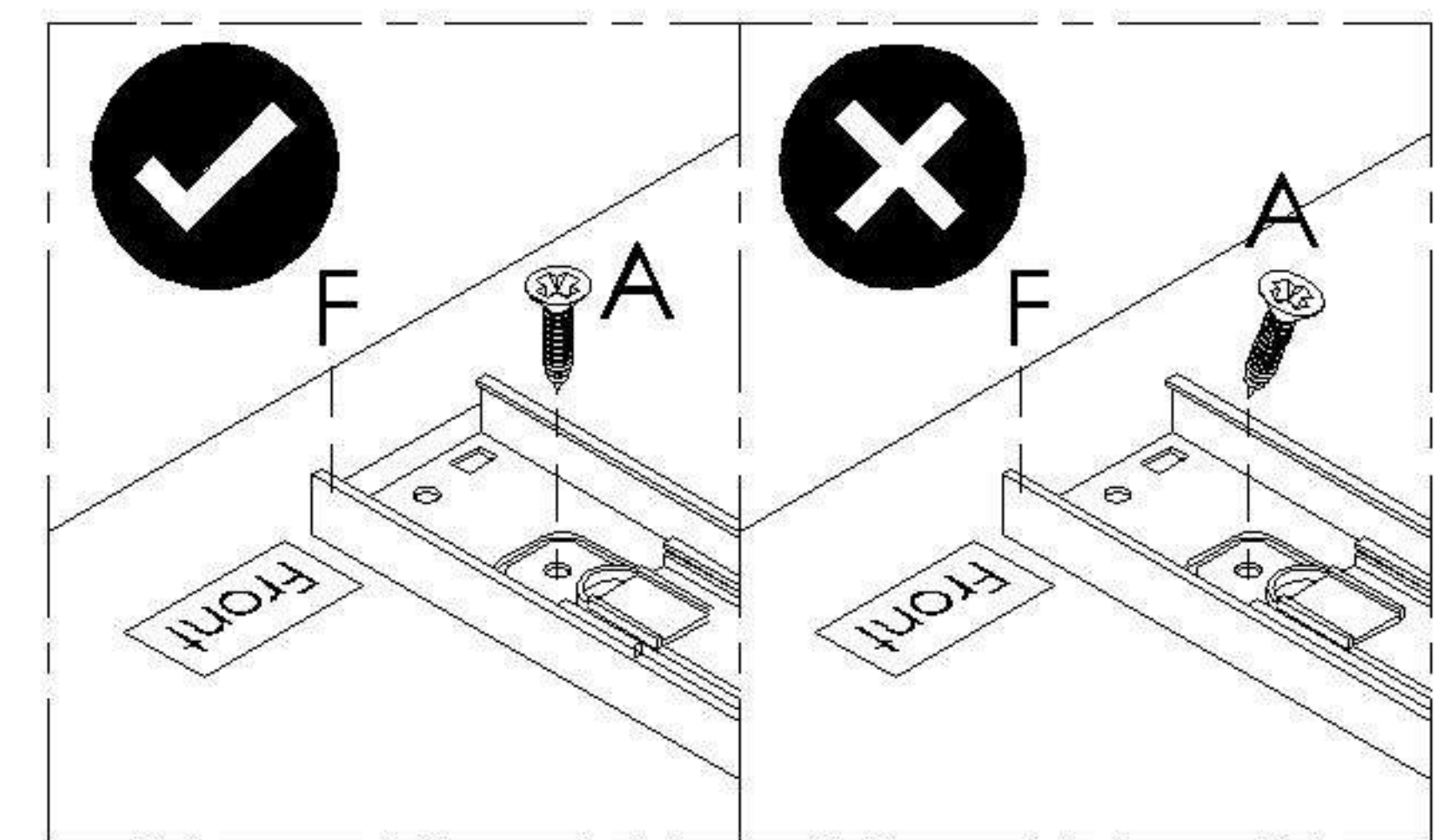
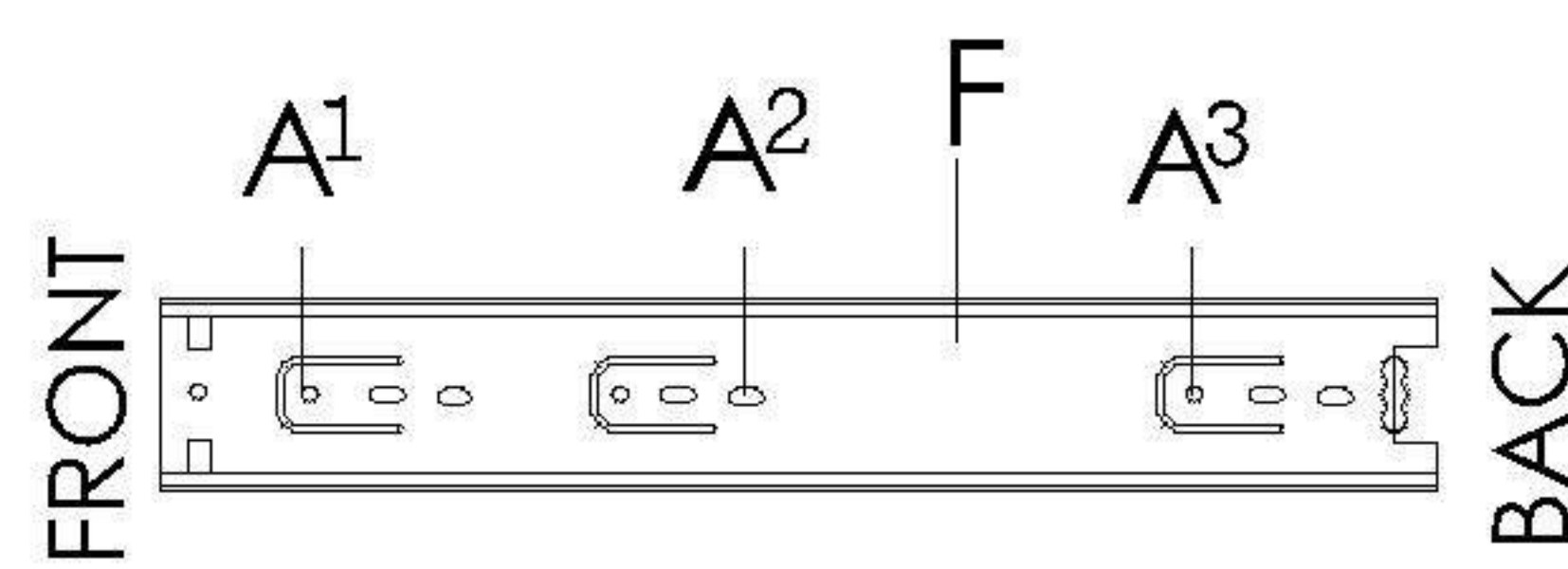


Refer to page 2 for instructions on inserting and tightening Cam-Bolt & Cam-Lock.

NOTE: Make sure arrows on each Cam Lock points towards nearest edge with holes

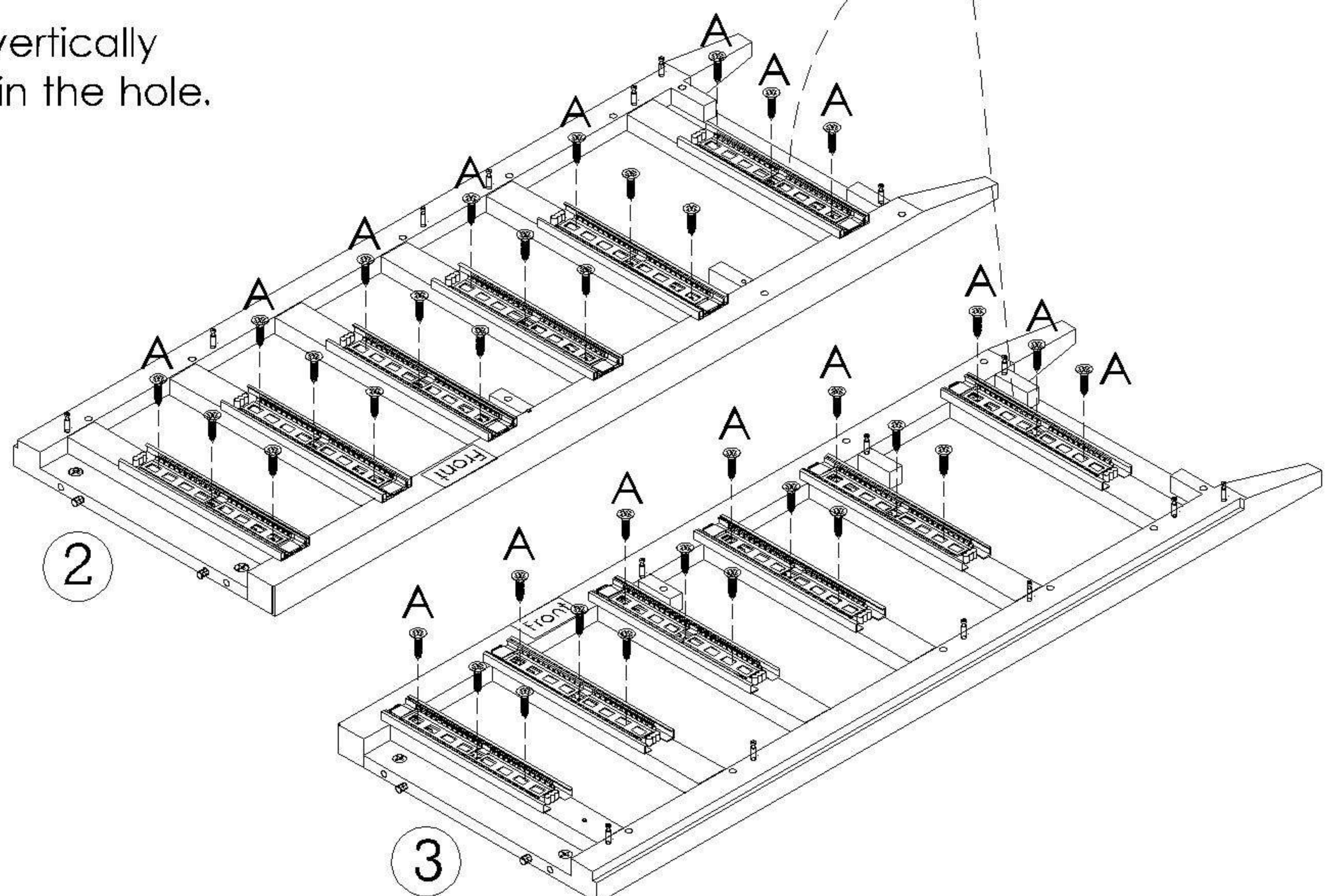
STEP 3

- A) Attach Extension Runner (F) to Left & Right Side Panel (2 & 3) using Chipboard Screw (A).

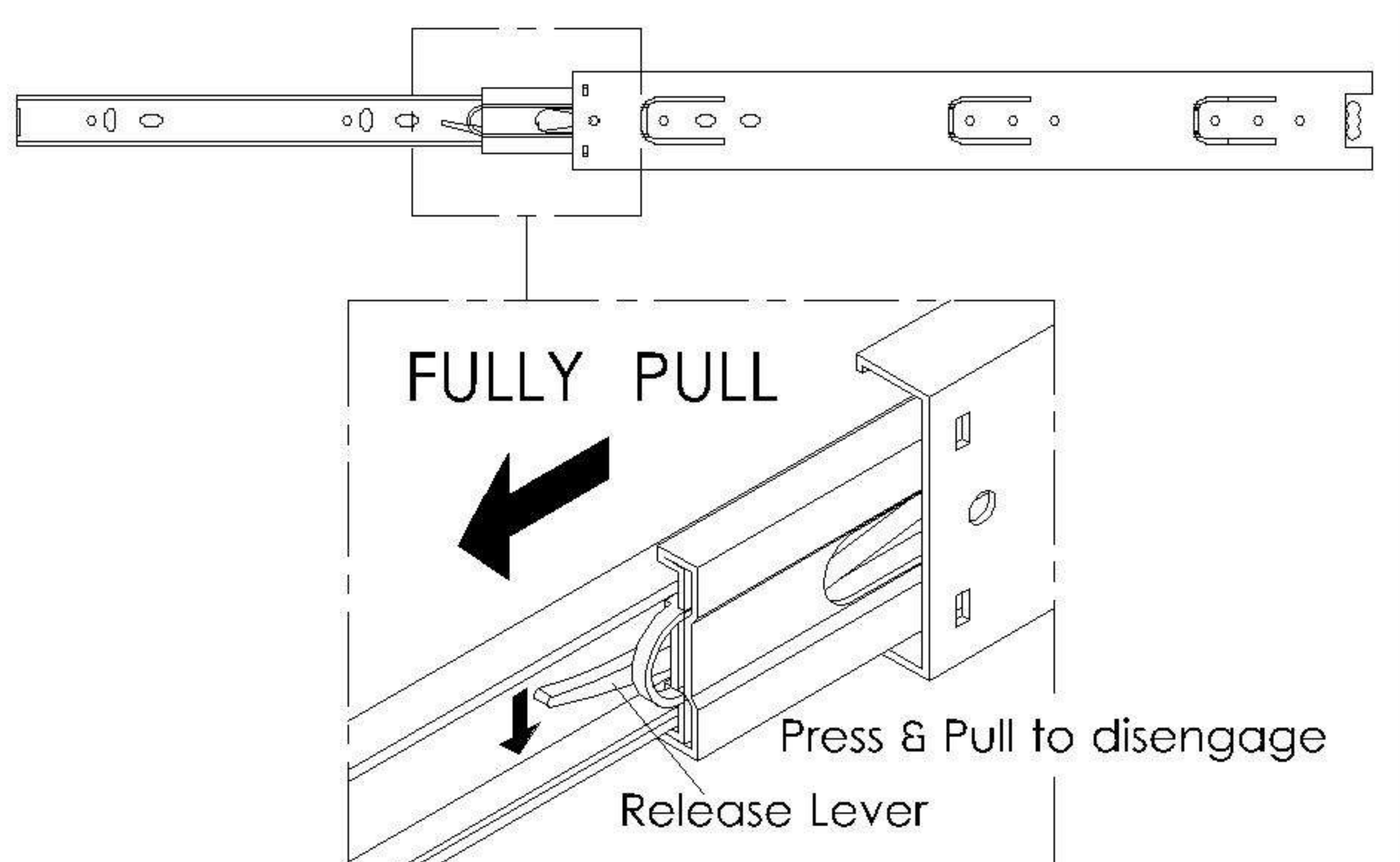


NOTE: Chipboard Screw(A) should be assembled from the front of the runner. Start from A¹, A² then A³.

NOTE: Make sure the screws are installed vertically without slant to ensure screw sits properly in the hole.



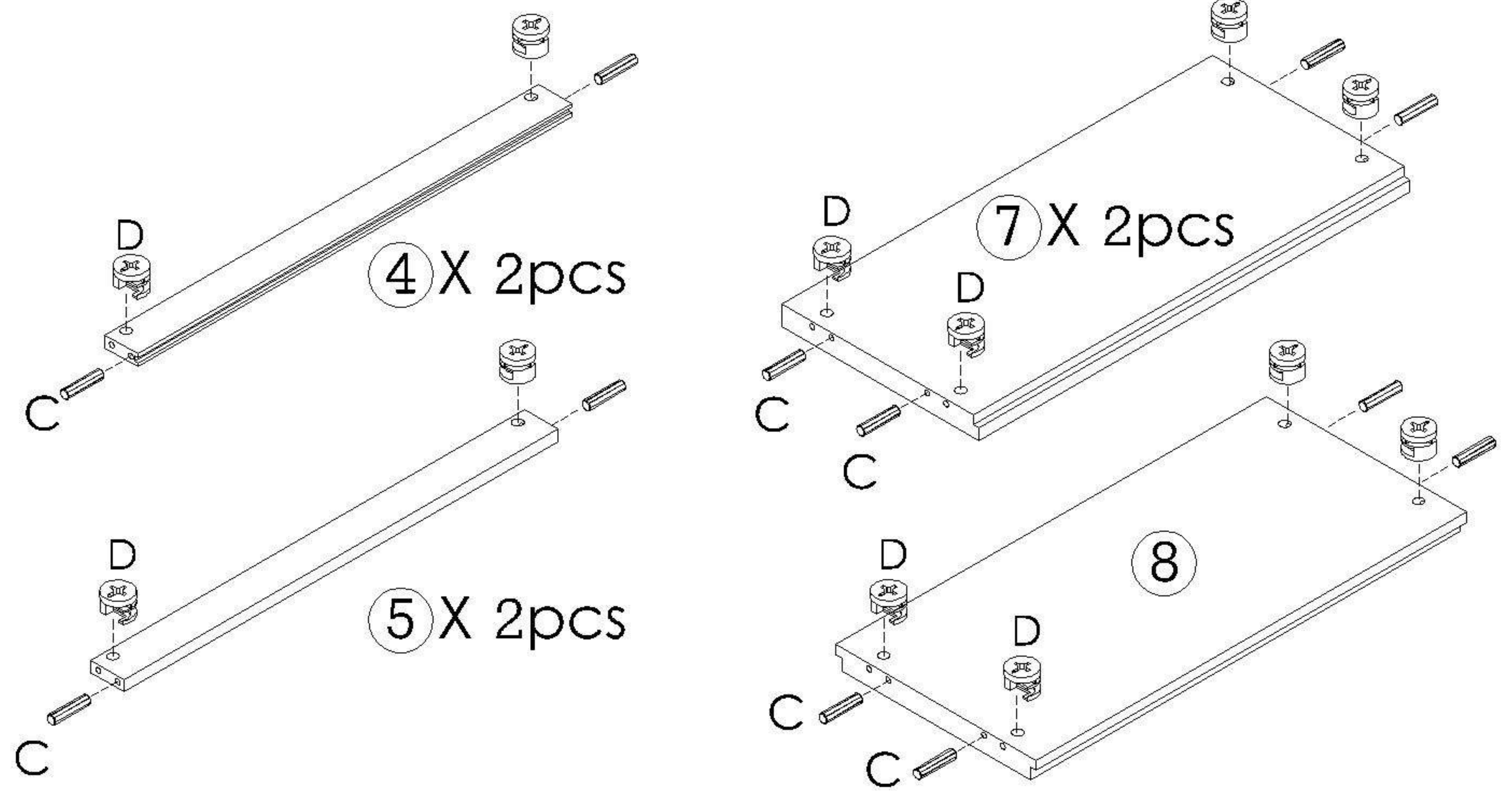
EXTENSION RUNNER DISASSEMBLE STEPS:



STEP 4

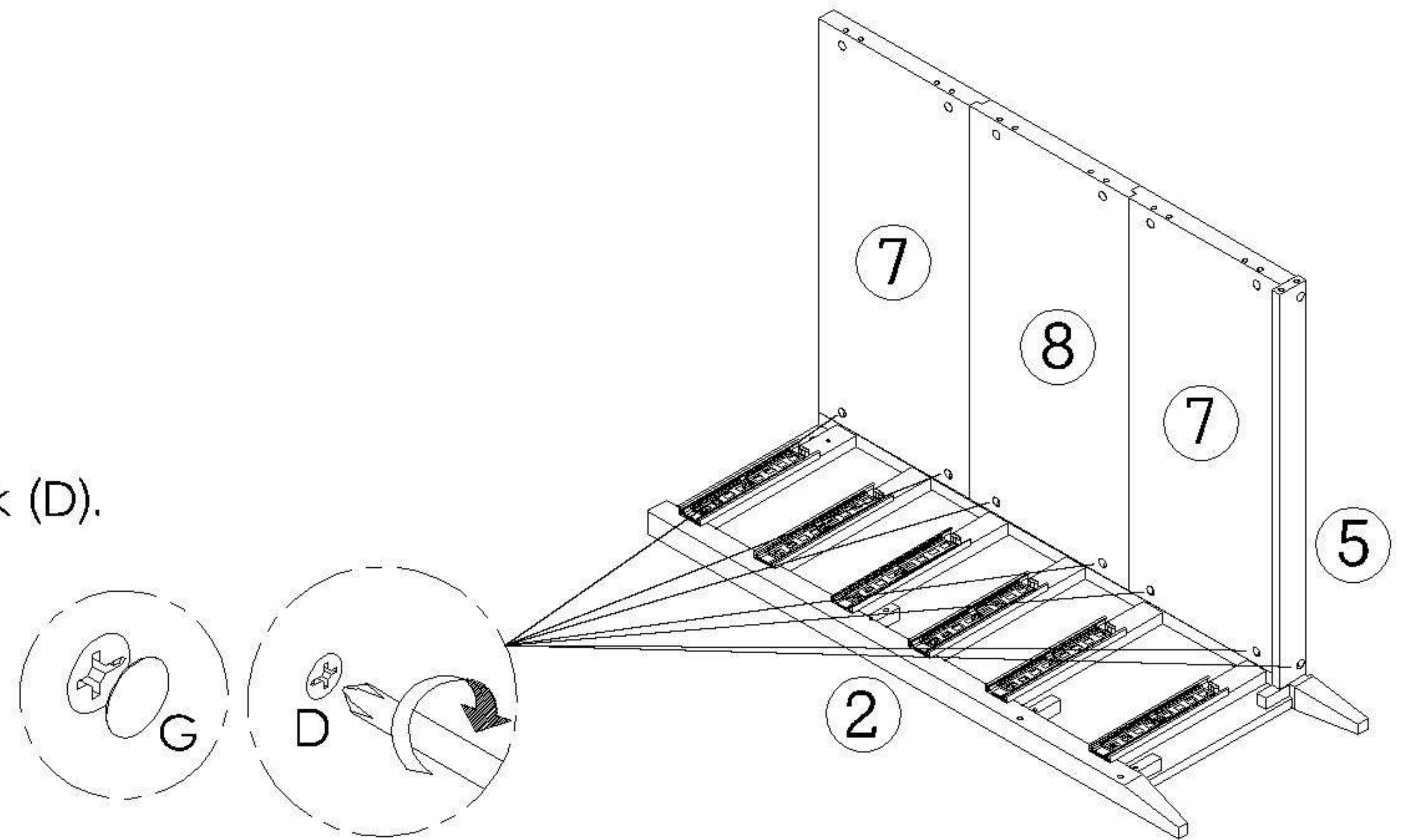
- A) Insert Wood Dowel (C) to Front Bar (4), Center Bar (5), Back Edge Panel (7) & Back Edge Center Panel (8).
- B) Attach Cam-Lock (D) to Front Bar (4), Center Bar (5), Back Edge Panel (7) & Back Edge Center Panel (8).

NOTE: Make sure arrows on each Cam Lock points towards nearest edge with holes.



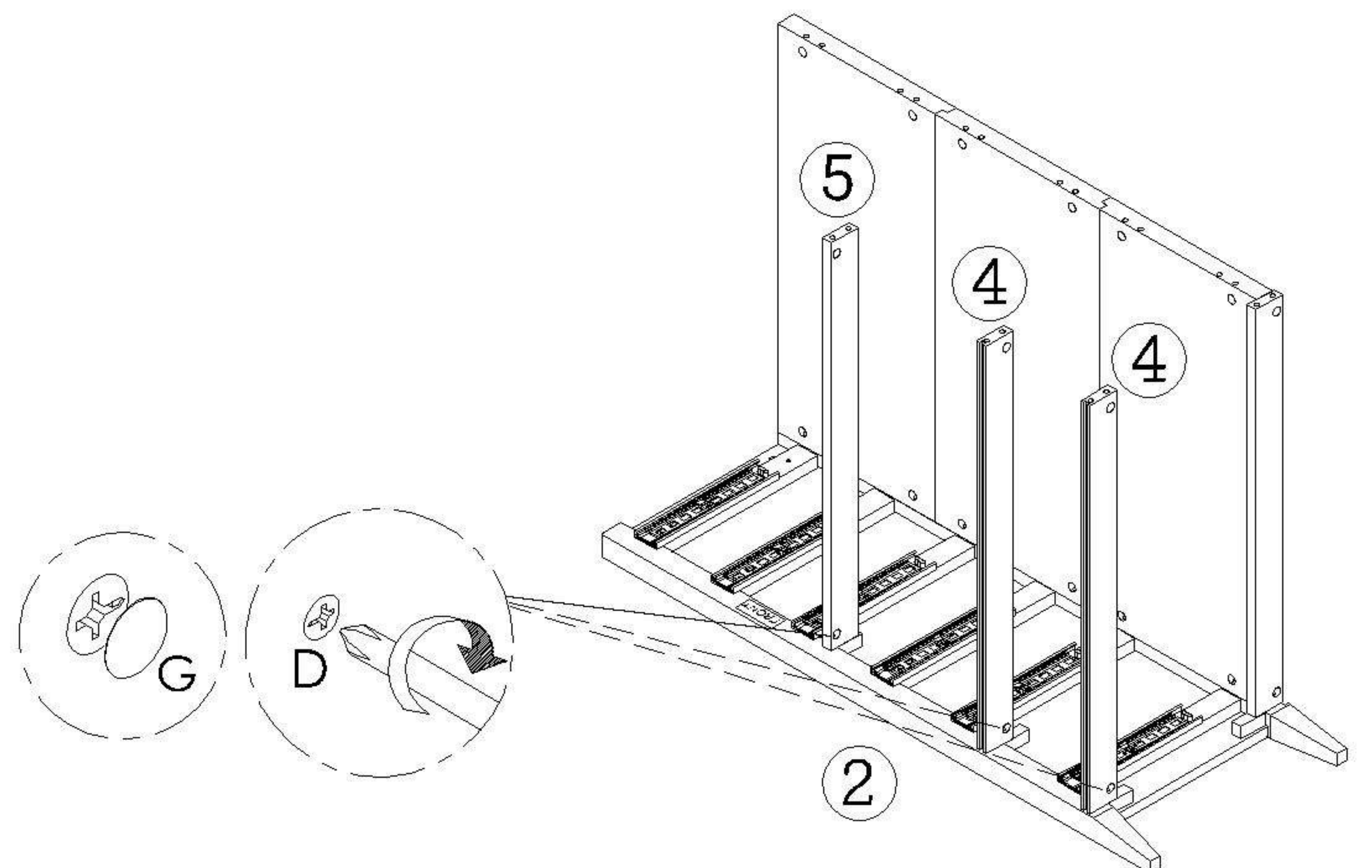
STEP 5

- A) Attach Back Edge Panel (7), Back Edge Center Panel (8) and Center Bar (5) to Left Side Panel (2) and turn clockwise to lock Cam-Lock (D) onto Cam Bolt.
- B) Insert Cam-Lock Cover (G) to conceal Cam-Lock (D).



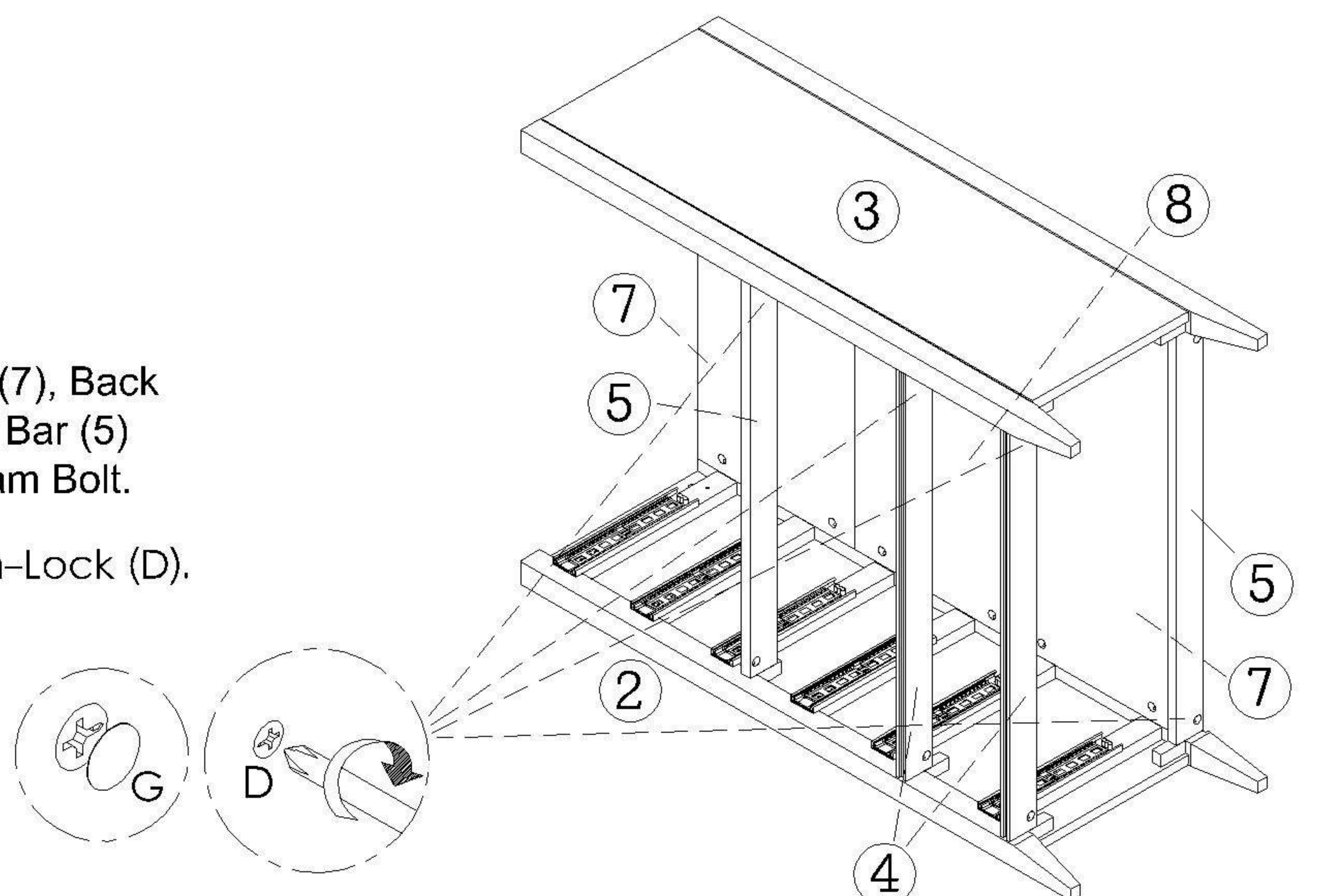
STEP 6

- A) Attach Front Bar (4) and Center Bar (5) to Left Side Panel (2) and turn clockwise to lock Cam-Lock (D) onto Cam Bolt.
- B) Insert Cam-Lock Cover (G) to conceal Cam-Lock (D).



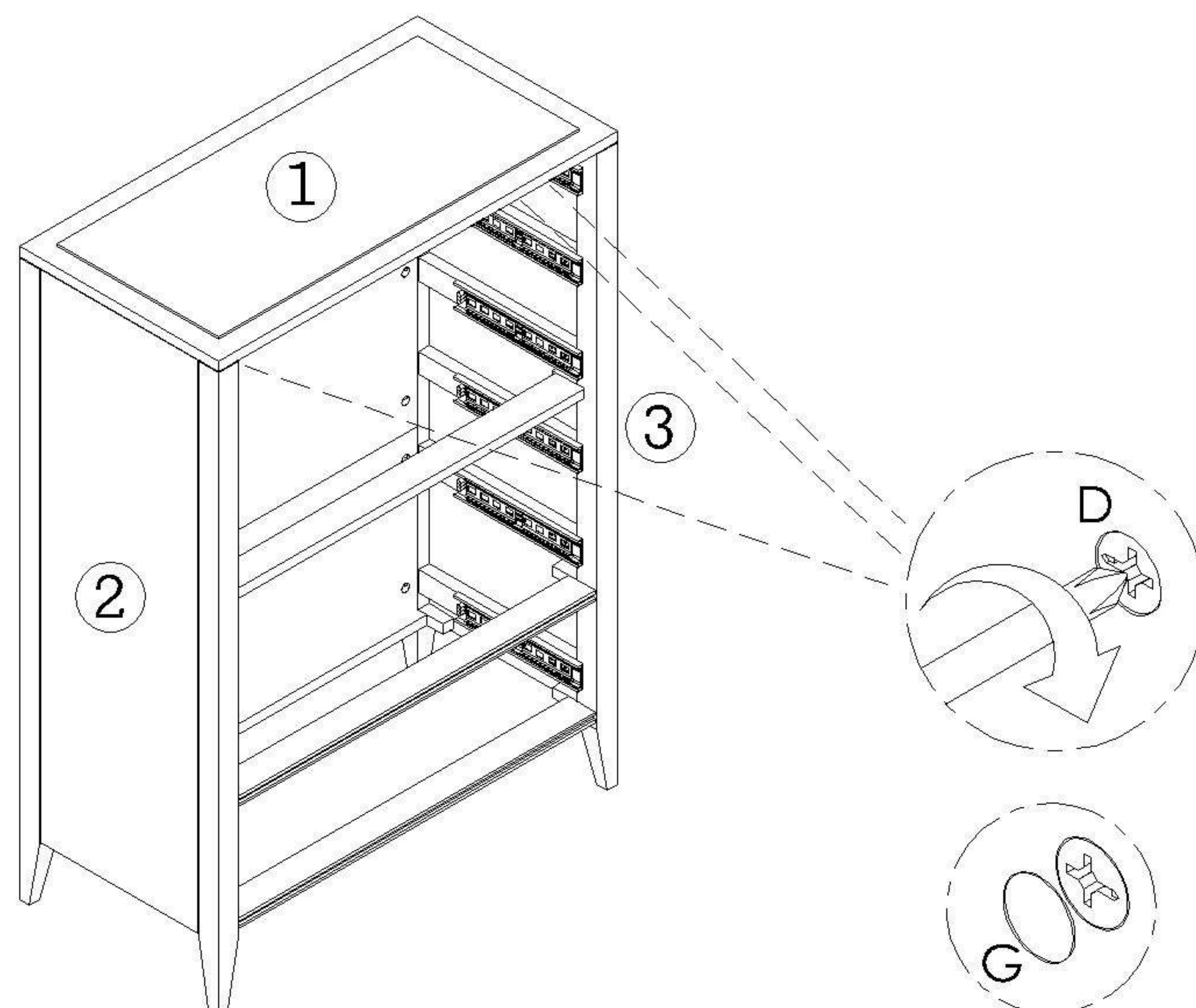
STEP 7

- A) Attach Right Side Panel (3) to Back Edge Panel (7), Back Edge Center Panel (8), Front Bar (4) and Center Bar (5) and turn clockwise to lock Cam-Lock (D) onto Cam Bolt.
- B) Insert Cam-Lock Cover (G) to conceal Cam-Lock (D).



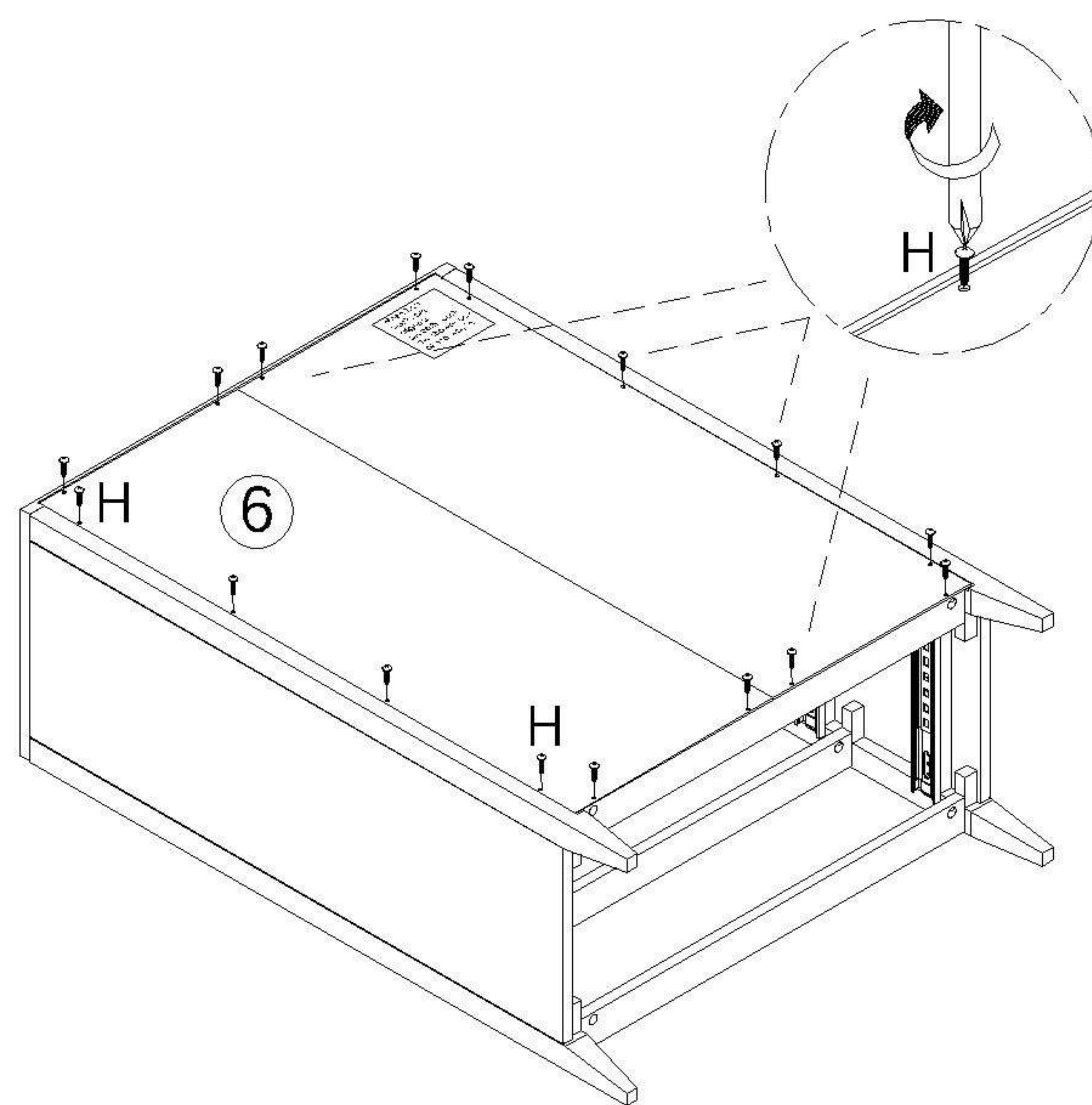
STEP 8

- A) Attach Top Panel (1) to Left & Right Side Panel (2 & 3) and turn clockwise to lock Cam-Lock (D) onto Cam Bolt.
- B) Insert Cam-Lock Cover (G) to conceal Cam-Lock (D).



STEP 9

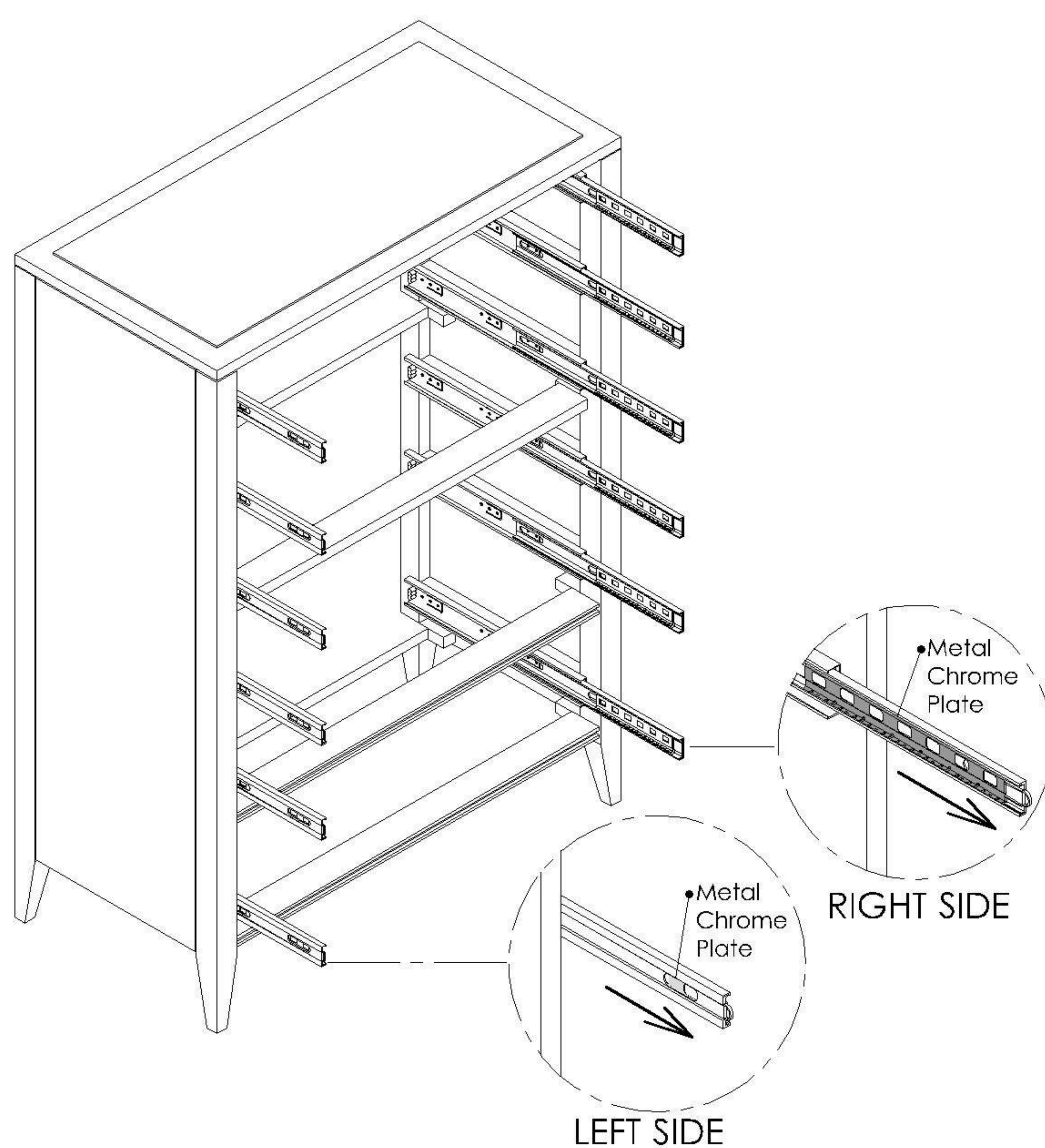
- A) Attach Back Plywood Panel (6) to assembled unit and fasten with Panhead Chipboard Screw (H – Black).



EXTENSION RUNNER ASSEMBLE STEPS:

STEP 10A

- i) Slide out Metal Chrome Plate (ball bearing slider) on both sides of Slide Track.



ANTI-TIP KIT AND INSTALLATION

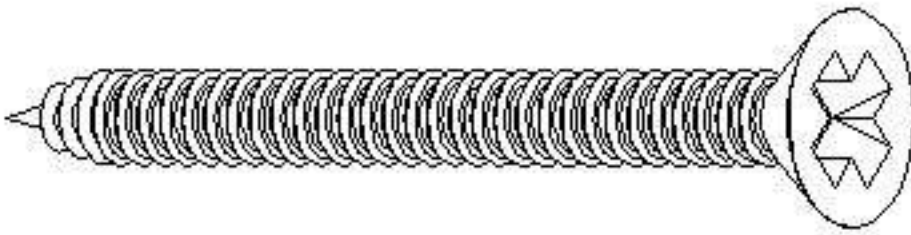
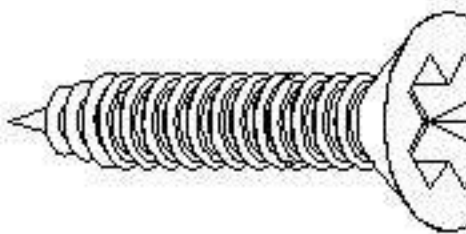
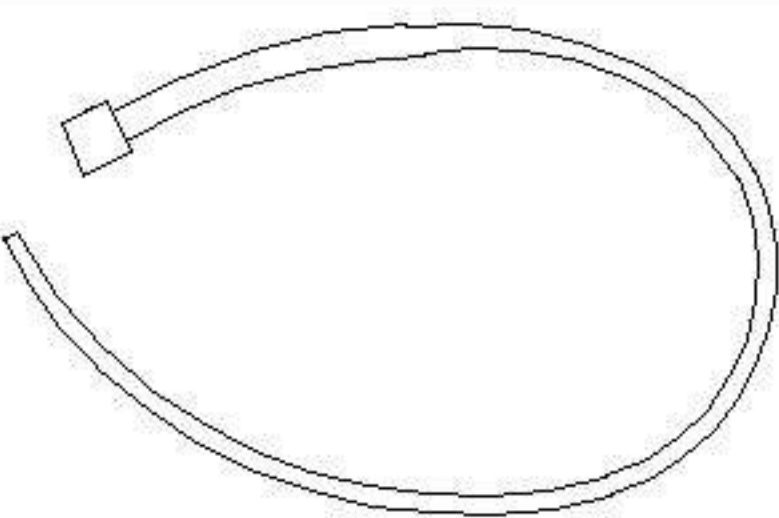
WARNING

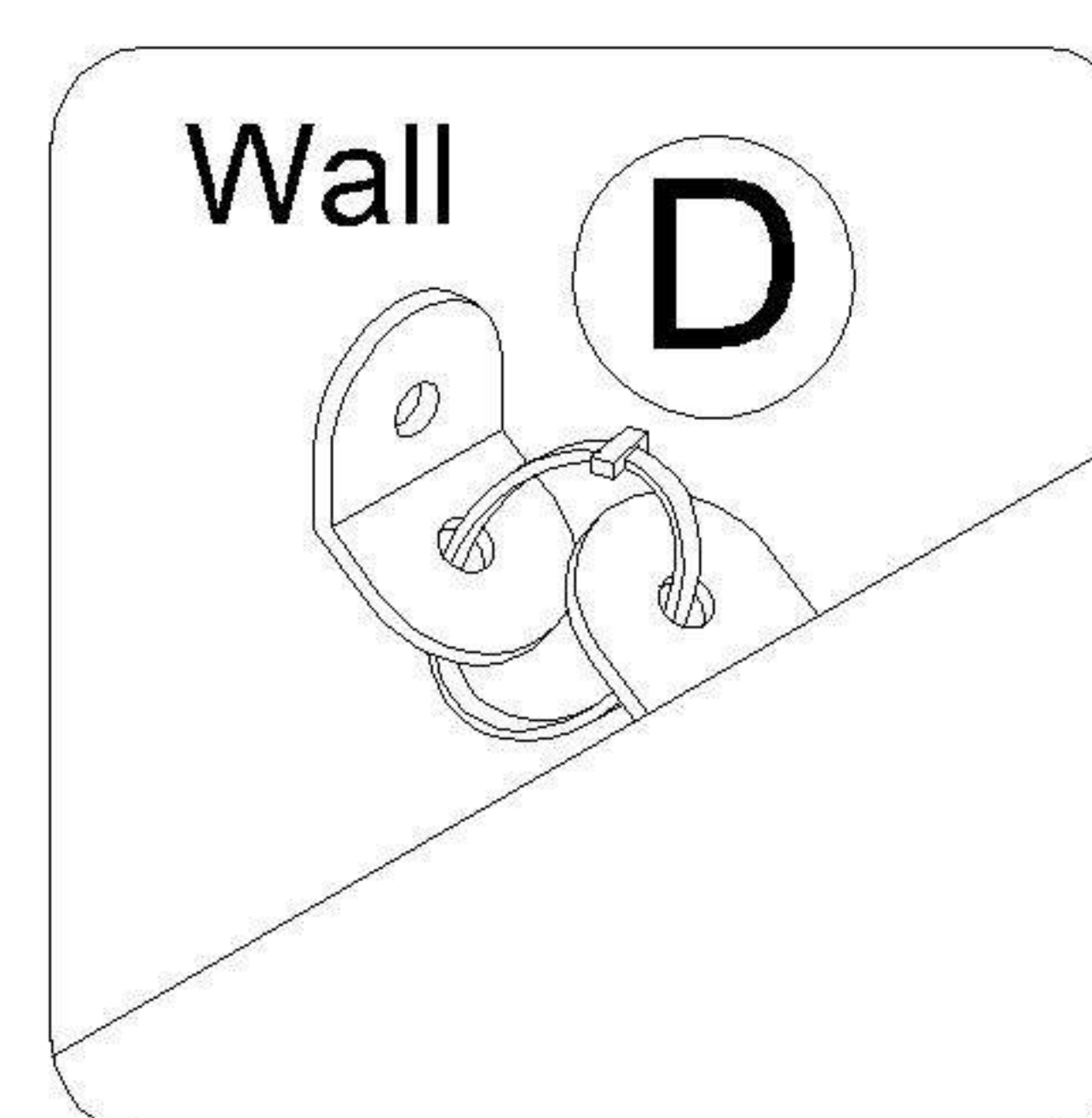
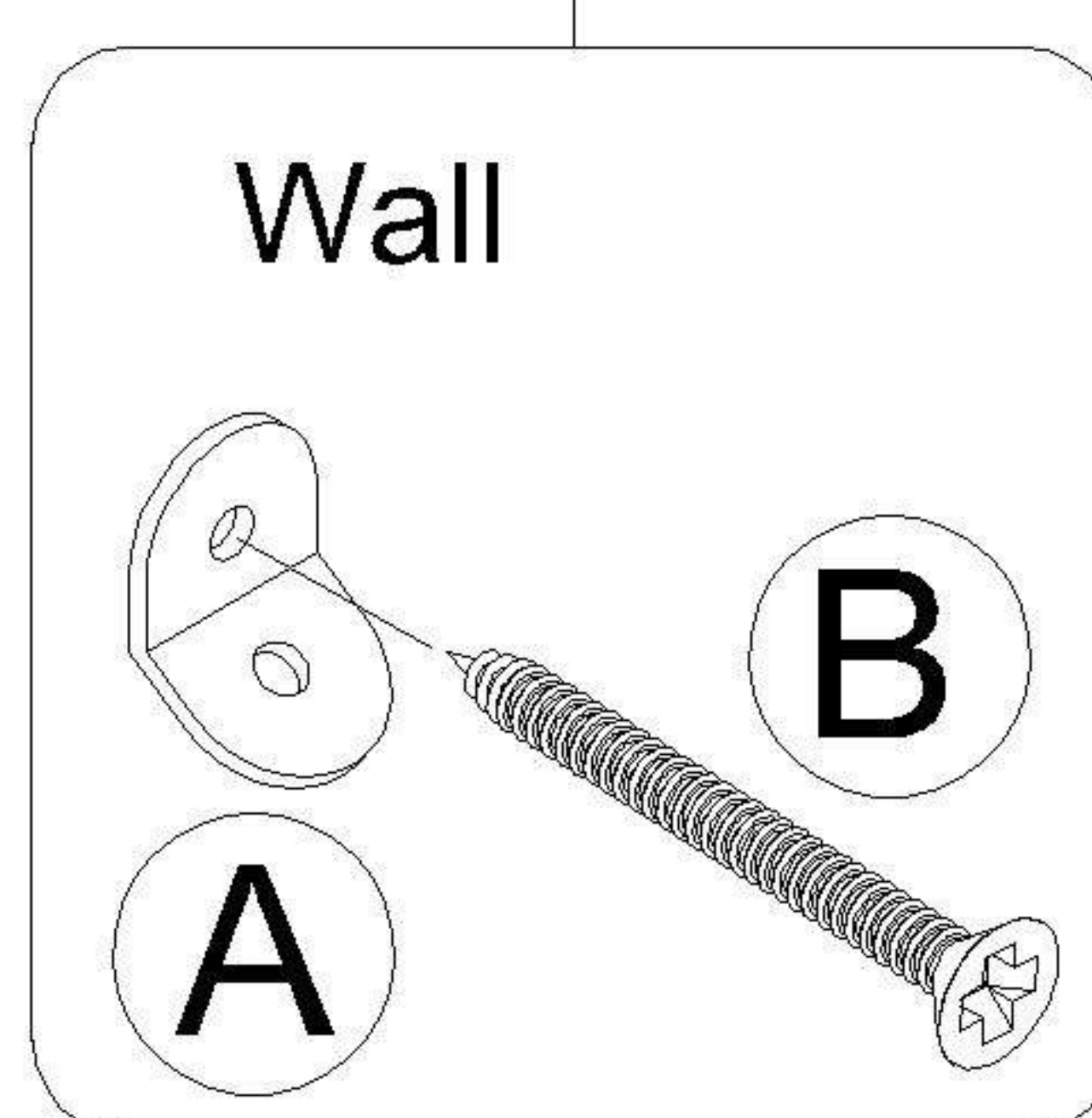
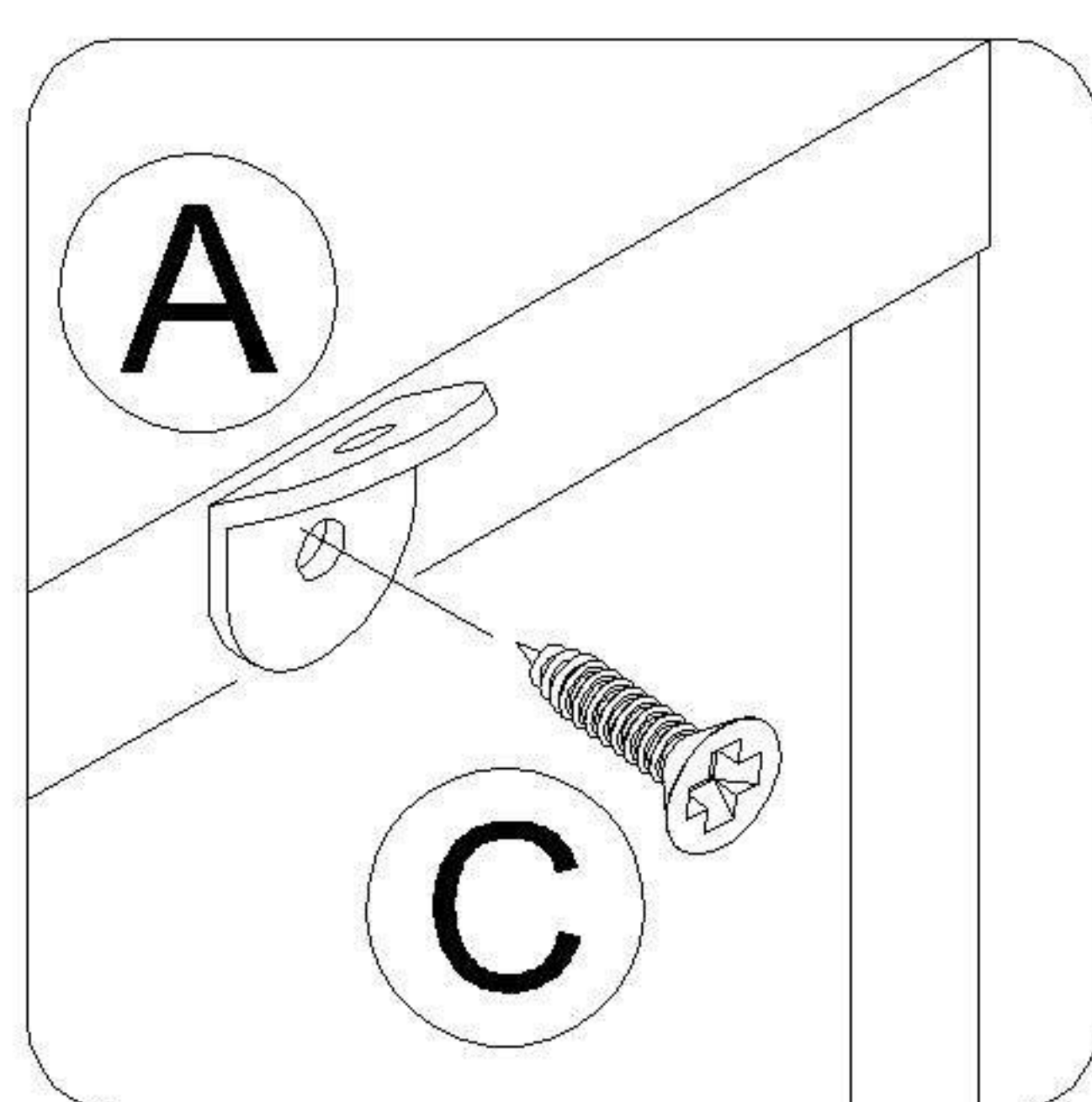
Serious or fatal injuries can occur when furniture is not secured and tipover. To prevent tipover :

- 1) Install anti-tip kit provided.
- 2) Place heavier items in lower drawers or shelves.
- 3) Unless specifically designed to accommodate, do not place TVs or heavy objects on top of this product.
- 4) Never allow children to climb or hang on this product or any part of the product including, drawers, shelves or doors.
- 5) Never open more than one drawer at a time.
- 6) Do not deactivate or remove any drawer interlock system.

Use of tip-over restraints only reduces and does not eliminate the risk of tipover. Parts and Hardware List

Parts and Hardware List

PIECE	DESCRIPTION	PICTURE	QUANTITY
A	Bracket		2Pcs
B	SCREW M4 X 50mm		1Pc
C	SCREW M4 X 16mm		1Pc
D	Nylon Strap		1Pc



NOTE:

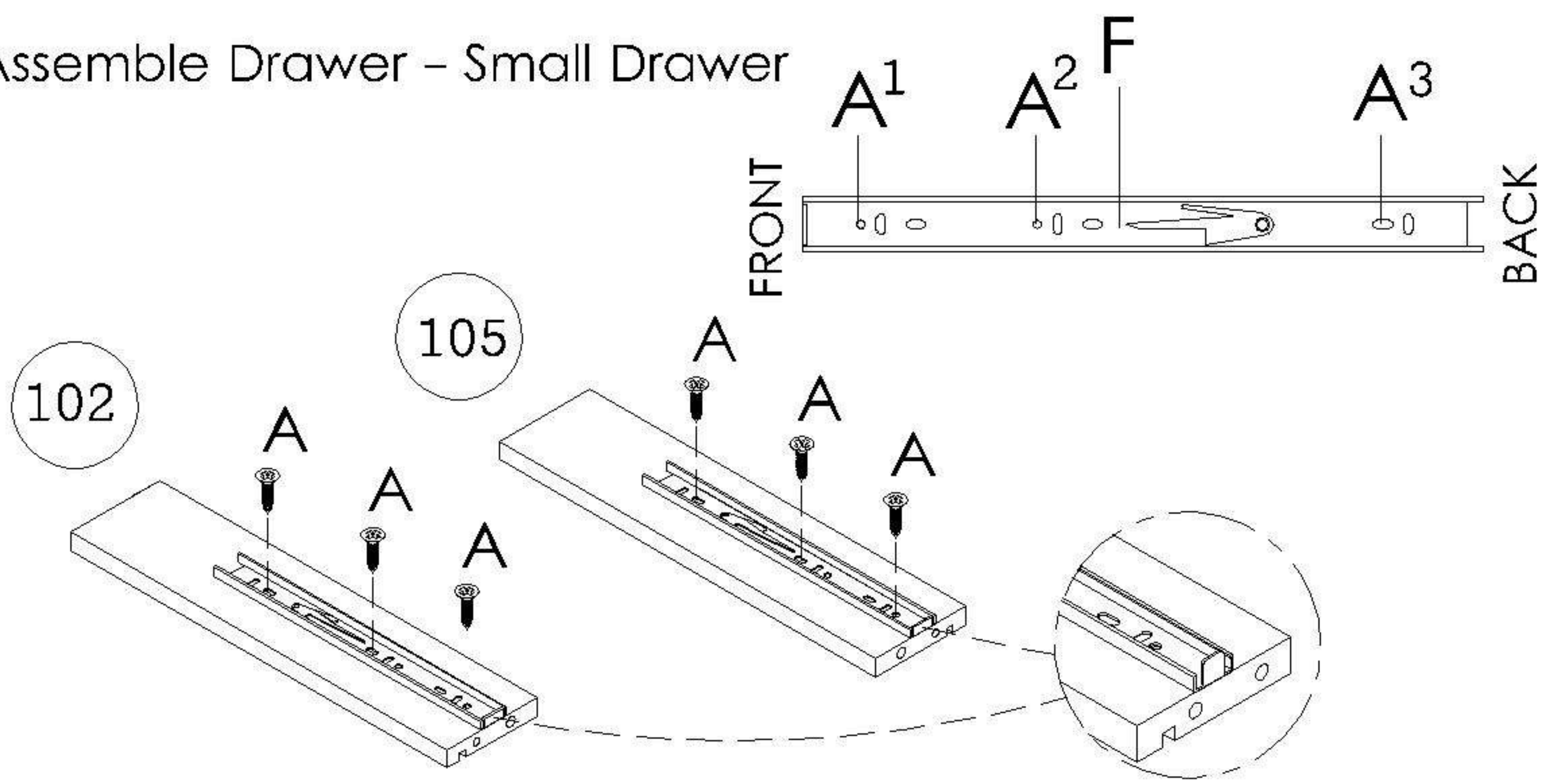
WALL PLUG IS NOT SUPPLIED WITH THIS PRODUCT AS DIFFERENT WALL MATERIALS REQUIRE DIFFERENT TYPES OF FIXING HARDWARE & YOU MUST USE SUITABLE FIXING HARDWARE FOR TYPE OF WALL YOU INTEND TO MOUNT THIS PRODUCT TO WALL.

Installation Steps:

1. Use Screw (C) to fasten Bracket (A) to the center of back top edge of the Top Panel.
2. Mark the location on the wall for mounting the second set of bracket (A) which need to be at the same level as Bracket (A) on the back edge of Top Panel and drill hole in the wall as per the length and diameter of WALL PLUG.
3. Insert WALL PLUG into the drilled hole and fasten (A) to the wall with Screw (B).
4. Place the furniture so the brackets on the back edge of Top panel is aligned with the bracket on the wall.
5. Lace the end of the Nylon Strap (D) through each of the bracket. Bring both ends together and slide the beaded end of the strap through the keyhole-shaped slot on the other end. Pull down on the beaded end until it snap-locked into the keyhole-shaped slot.
6. Check to make sure the strap is securely laced and locked to the brackets.

The anti-tipping installation is complete.

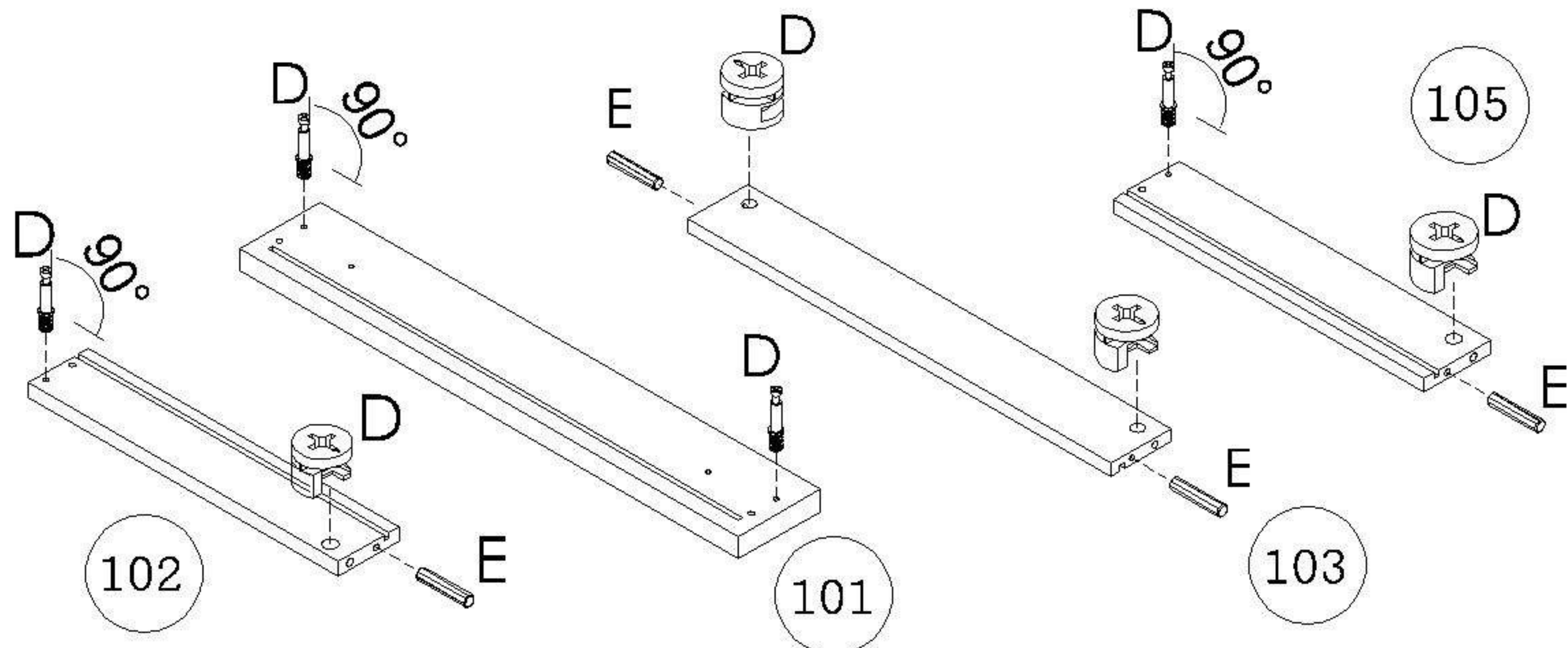
Assemble Drawer - Small Drawer



- A) Attach Extension Runner(F) to Small Left & Right Drawer Side Panel (102,105) using Chipboard Screw(A) to secure

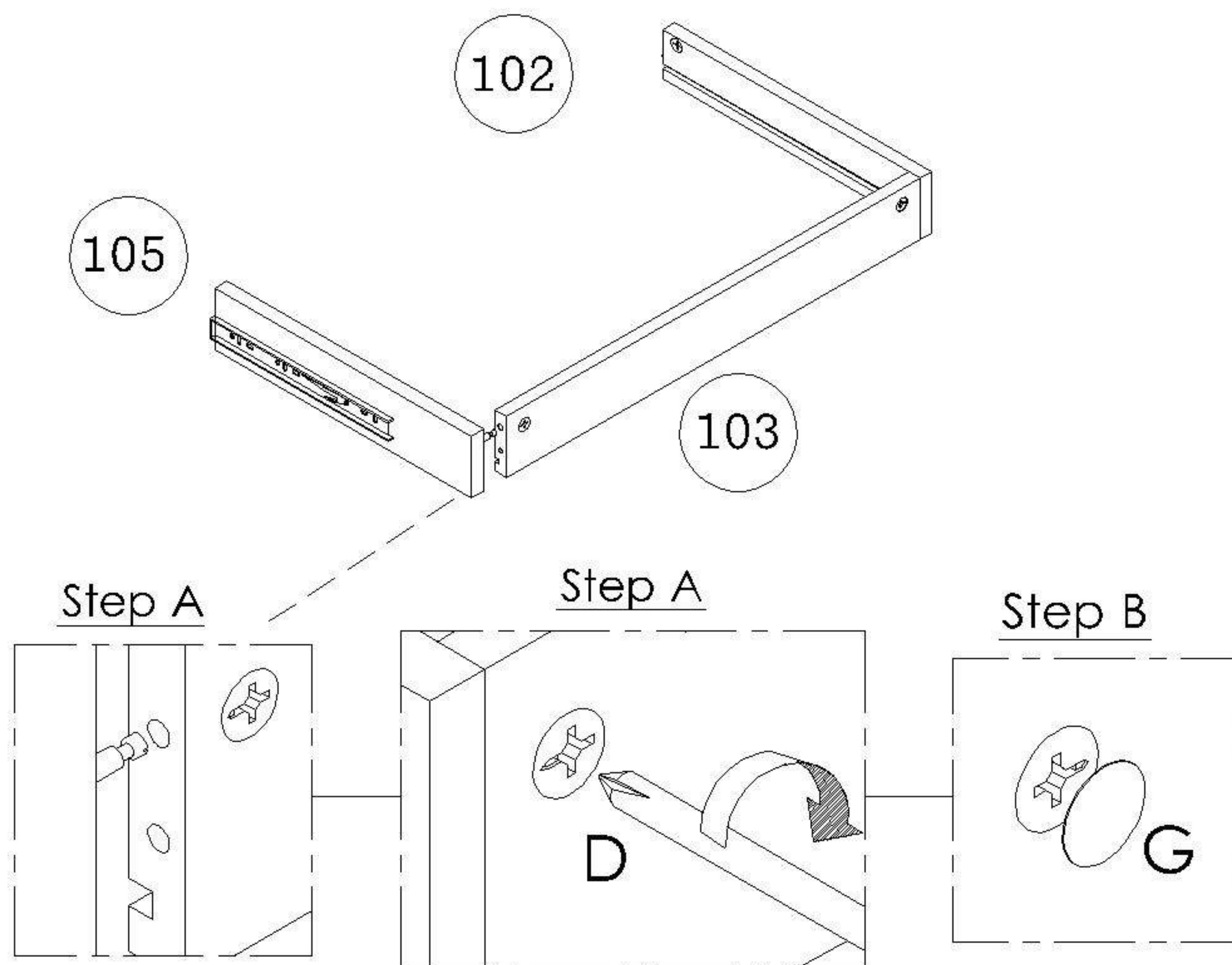
NOTE: Chipboard Screw(A) should be assembled from the front of the runner. Start from A¹, A² then A³.

NOTE: Make sure the screws are installed vertically without slant to ensure screw sits properly in the hole.

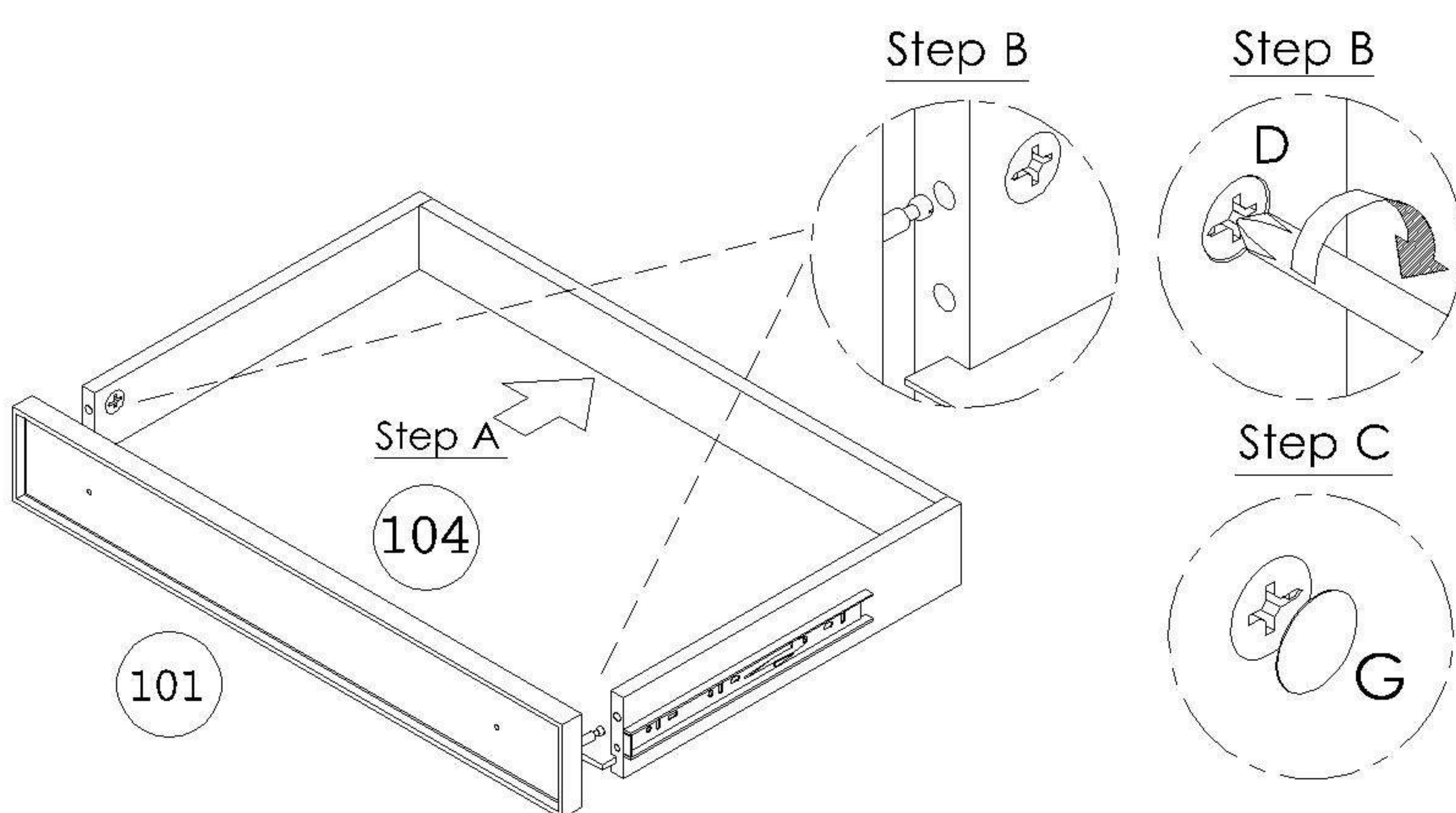


- A) Insert Wood Dowel (E) to Small Drawer Left & Right Side Panel (102 & 105) and Small Drawer Back Panel (103).
 B) Attach Cam-Lock (D) to Small Drawer Left & Right Side Panel (102 & 105) and Small Drawer Back Panel (103).
 C) Attach Cam-Bolt (D) to Small Drawer Front Panel (101) and Small Drawer Left & Right Side Panel (102 & 105).

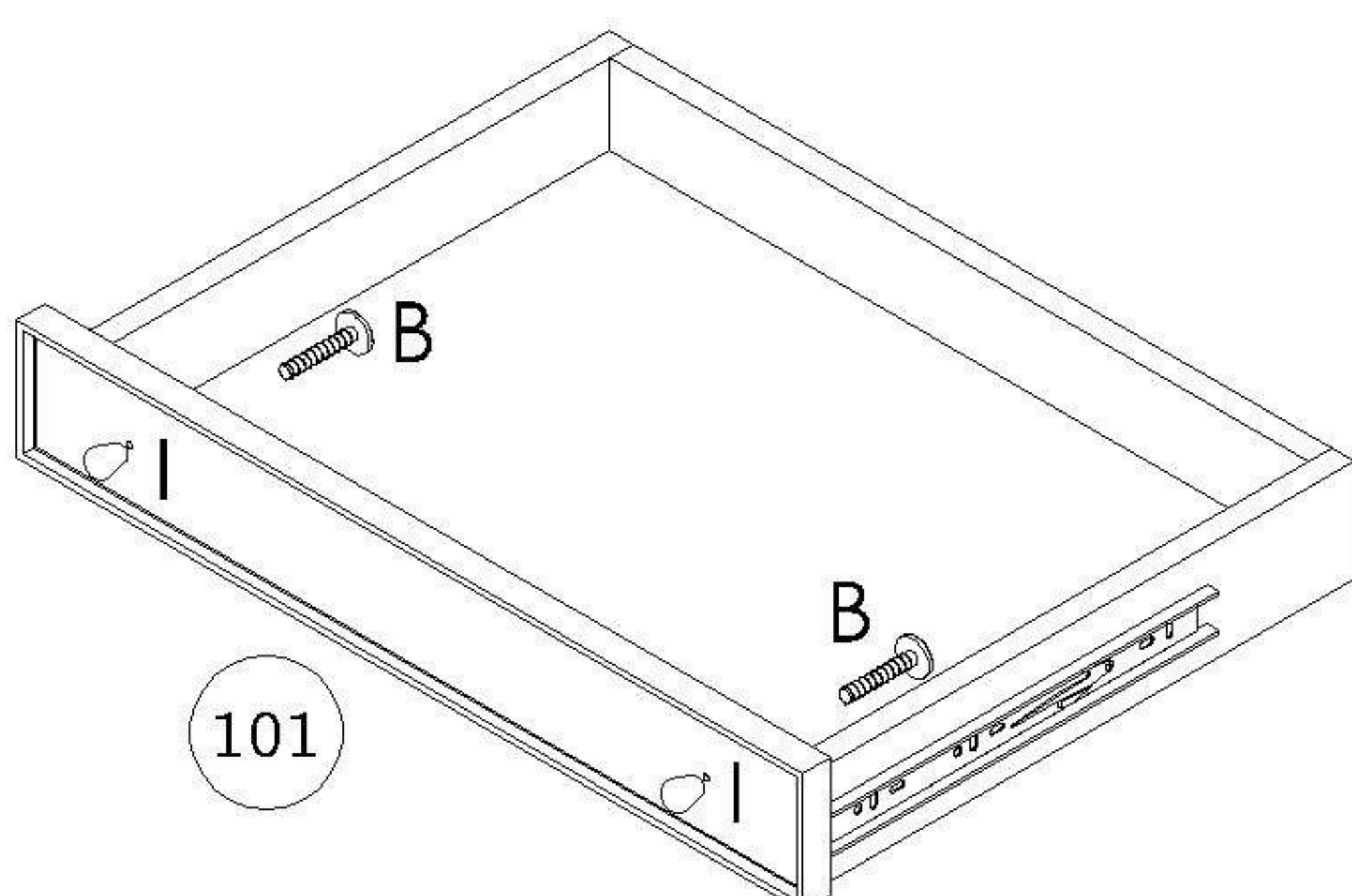
NOTE : Make sure arrows on each Cam Lock point towards nearest edge with holes



- A) Attach Small Drawer Left & Right Side Panel (102 & 105) to Small Drawer Back Panel (103) and turn clockwise to lock Cam-Lock (D) onto Cam Bolt.
 B) Insert Cam-Lock Cover (G) to conceal Cam-Lock (D).

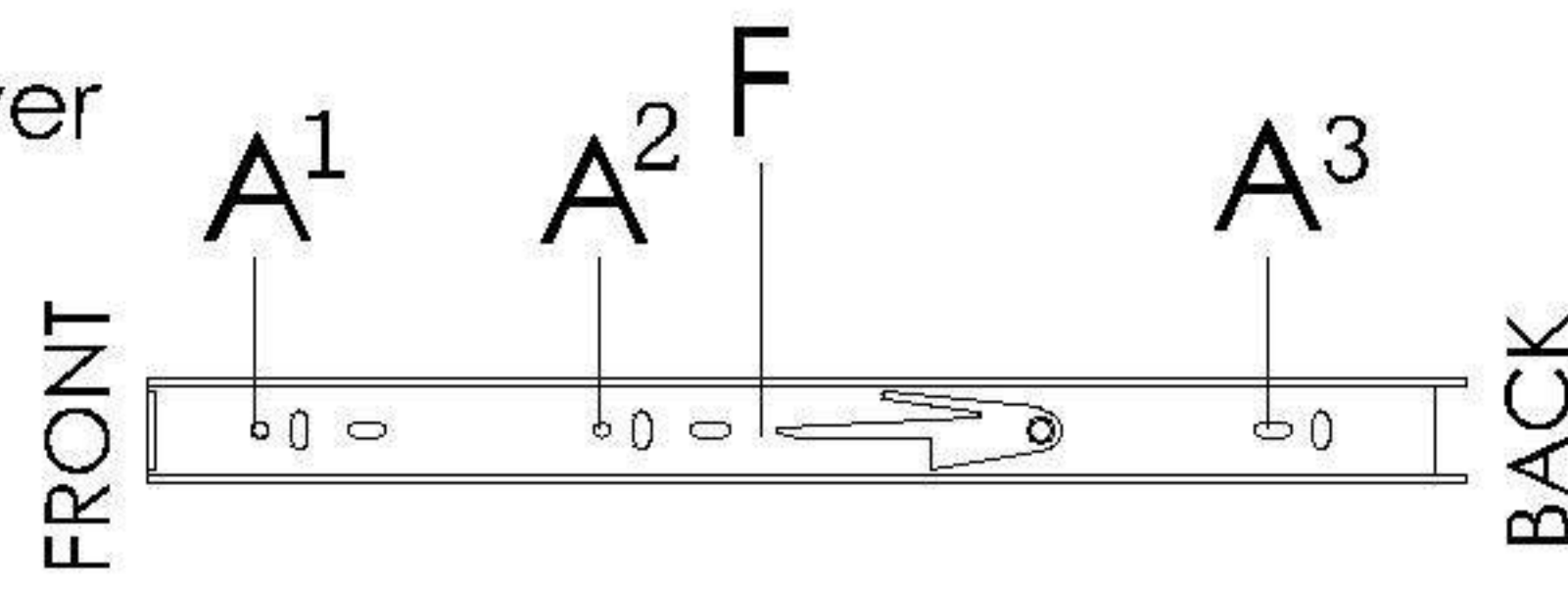


- A) Slot in Drawer Base (104) in corresponding grooves.
 B) Attach Small Drawer Front Panel (101) to Drawer Box and turn clockwise to lock Cam-Lock (D) onto Cam Bolt.
 C) Insert Cam-Lock Cover (G) to conceal Cam-Lock (D).

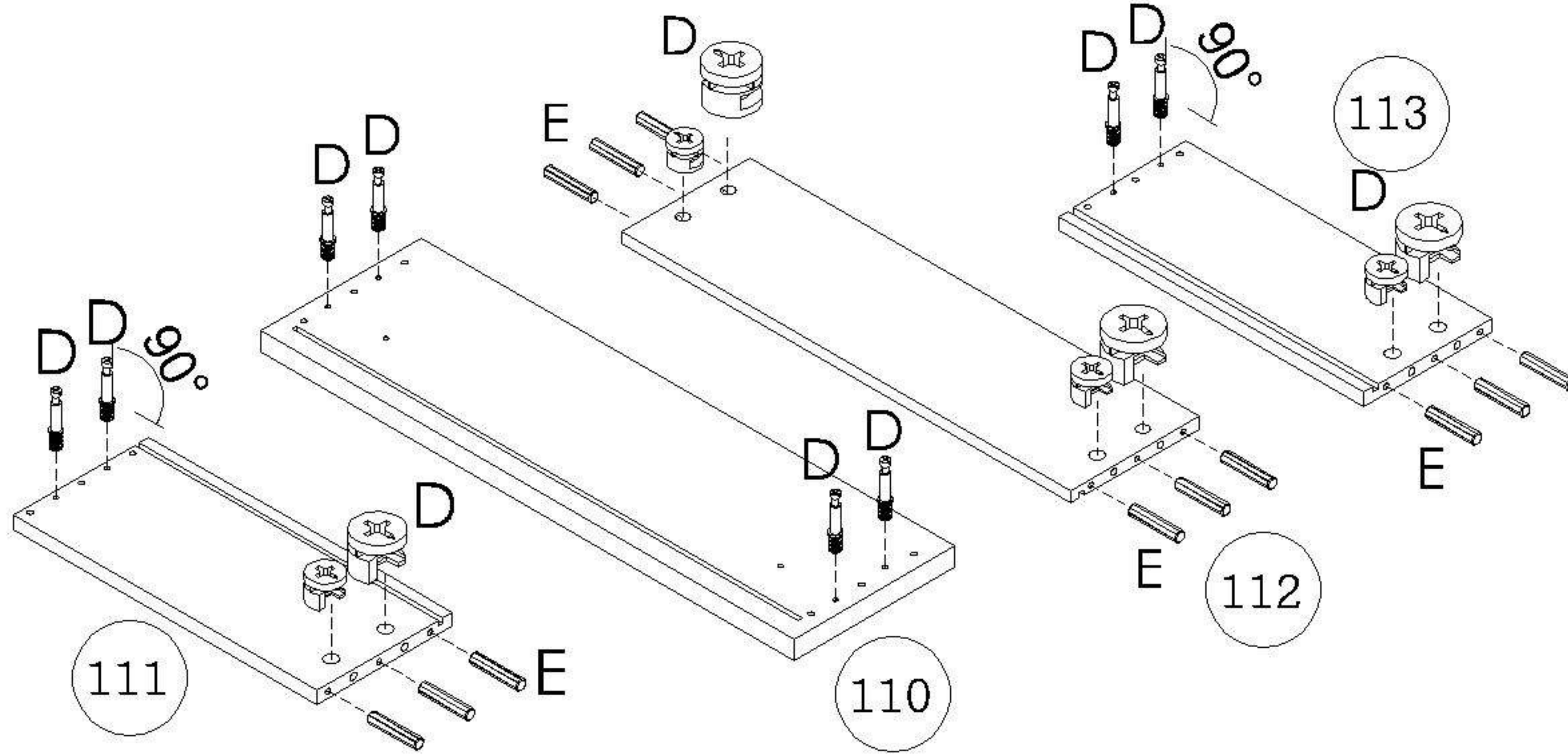
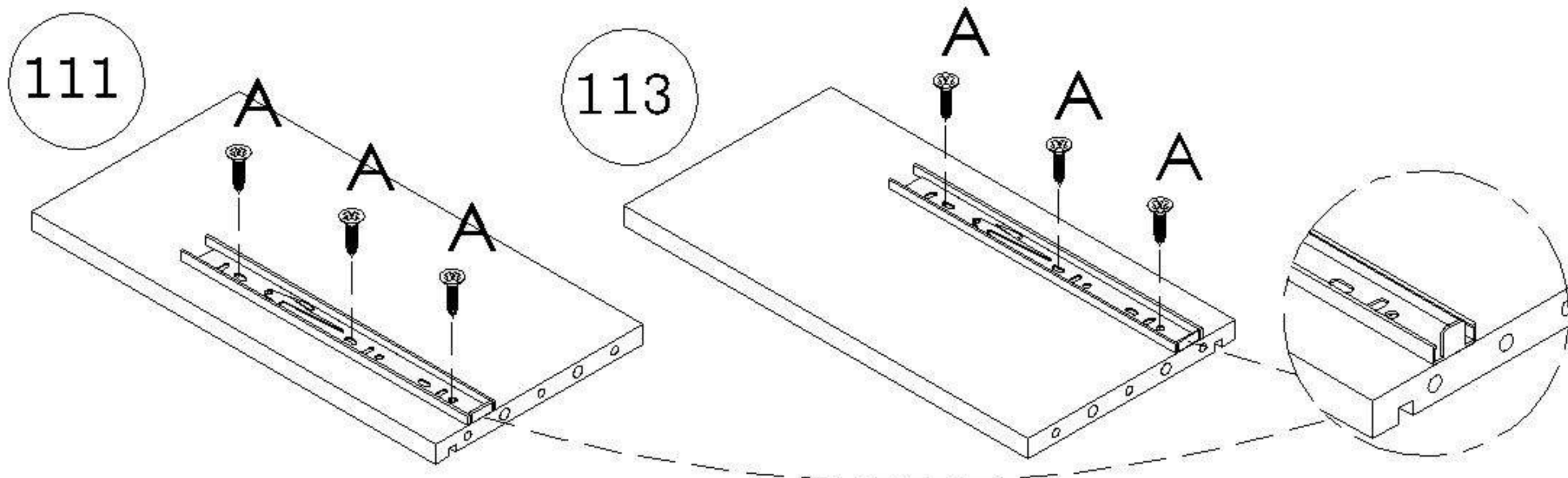


- A) Affix Handle (I) to Drawer Front Panel (101) with Panhead Screw (B).

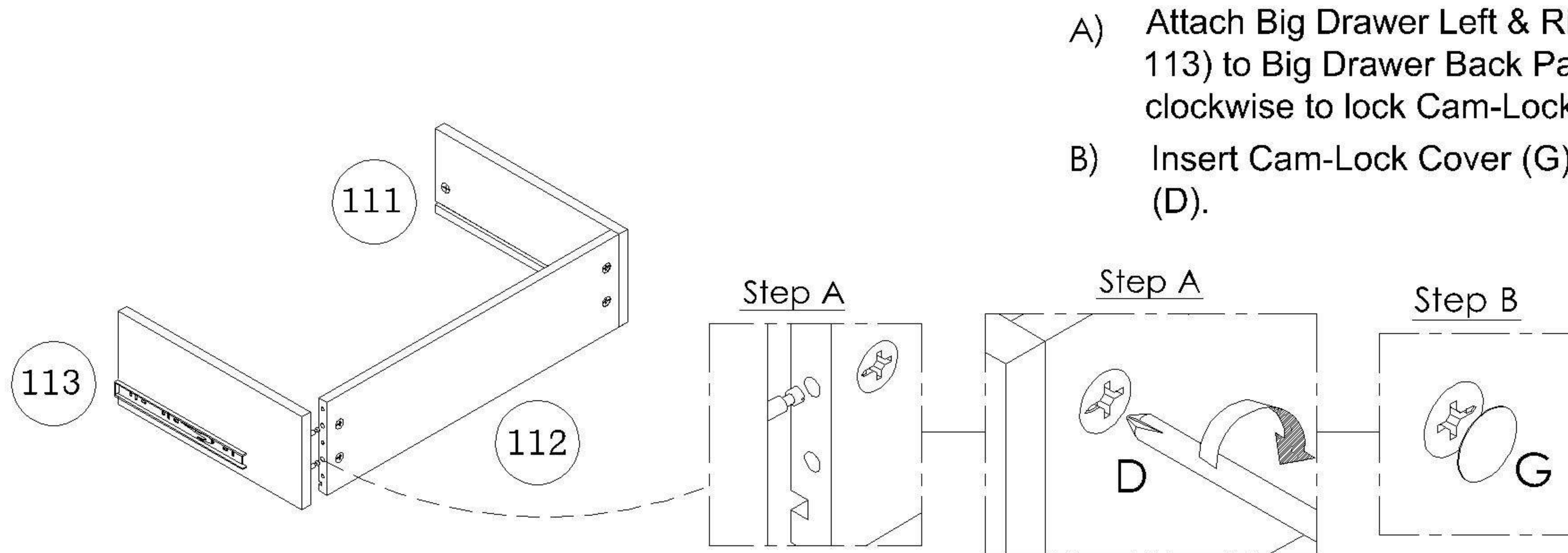
Assemble Drawer - Large Drawer



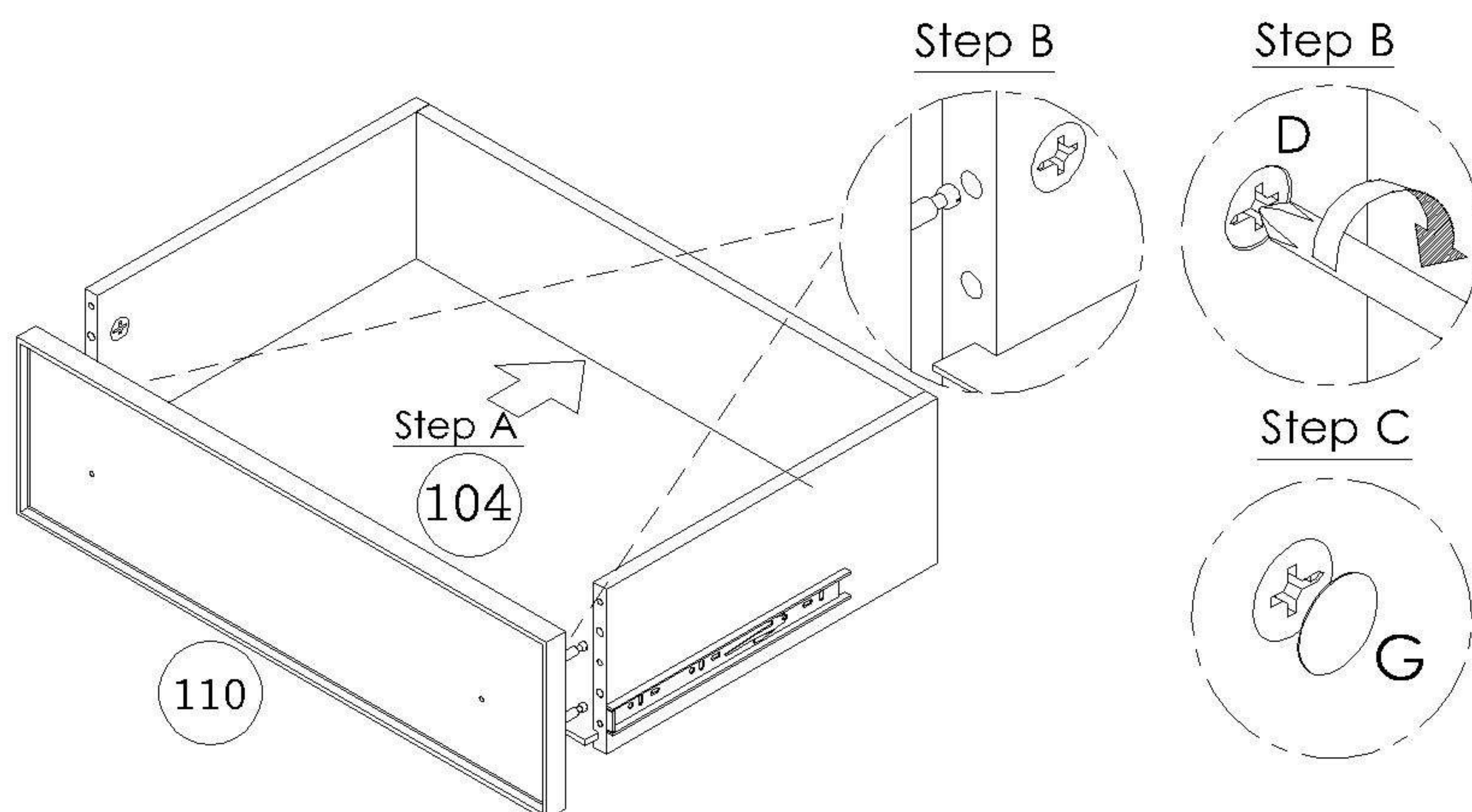
- A) Attach Extension Runner(F) to Large Left & Right Drawer Side Panel (111,113) using Chipboard Screw(A) to secure



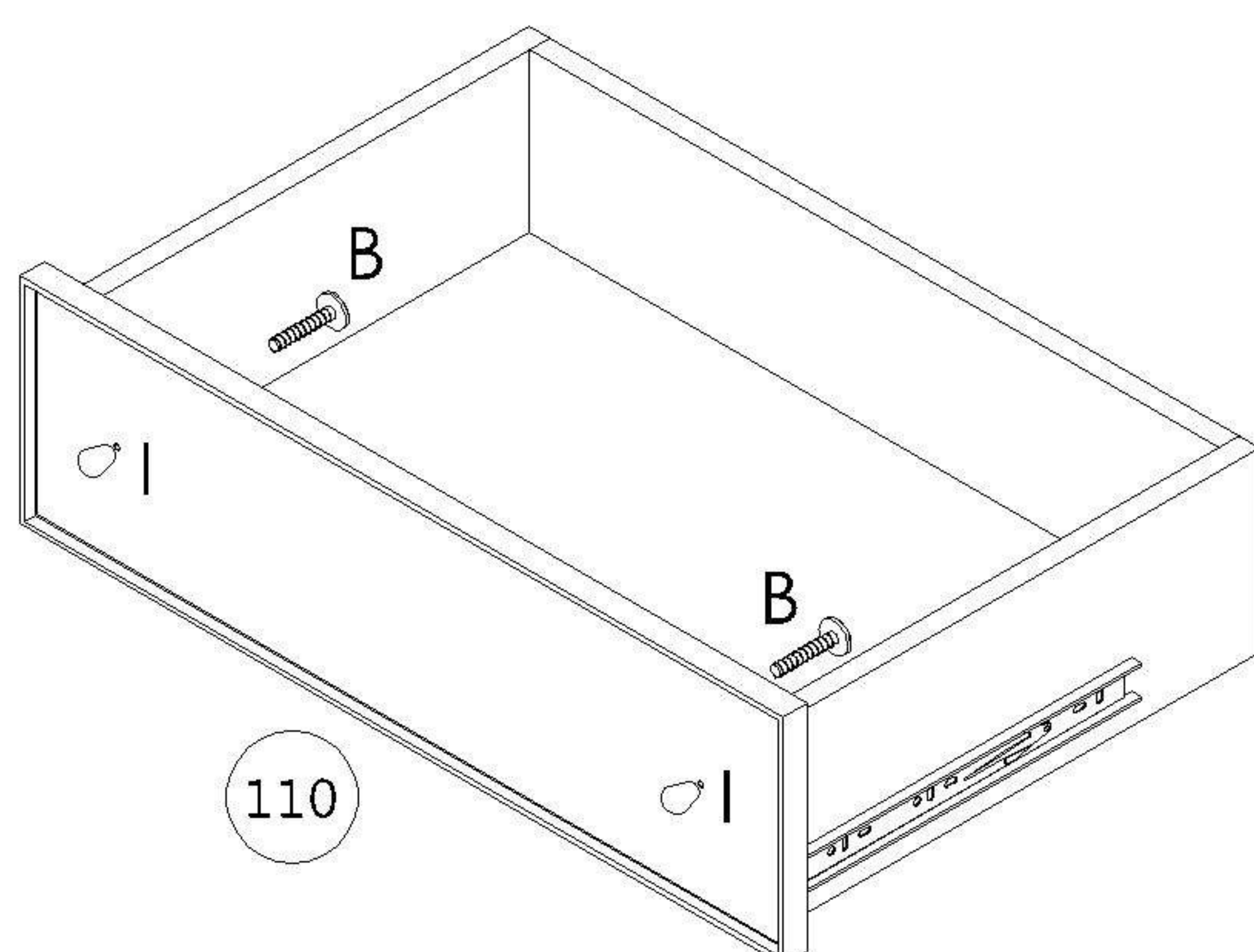
- A) Insert Wood Dowel (E) to Big Drawer Left & Right Side Panel (111 & 113) and Medium Drawer Back Panel (112).
 B) Attach Cam-Lock (D) to Big Drawer Left & Right Side Panel (111 & 113) and Big Drawer Back Panel (112).
 C) Attach Cam-Bolt (D) to Big Drawer Front Panel (110) and Large Drawer Left & Right Side Panel (111 & 113).
 NOTE : Make sure arrows on each Cam Lock point towards nearest edge with holes



- A) Attach Big Drawer Left & Right Side Panel (111 & 113) to Big Drawer Back Panel (112) and turn clockwise to lock Cam-Lock (D) onto Cam Bolt.
 B) Insert Cam-Lock Cover (G) to conceal Cam-Lock (D).



- A) Slot in Drawer Base(104) in corresponding grooves
 B) Attach Big Drawer Front Panel (110) to Drawer Box and turn clockwise to lock Cam-Lock (D) onto Cam Bolt.
 C) Insert Cam-Lock Cover (G) to conceal Cam-Lock (D).



- A) Affix Handle (I) to Drawer Front Panel (110) with Panhead Screw (B).