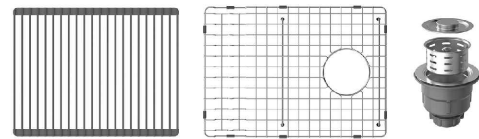


Series	Fusion Workstation
Material	16 Gauge, Type 304 stainless steel
Installation Type	Undermount
Configuration	Single bowl Laundry/Utility
Finish	Soft satin brushed finish
Overall Dimensions	23" x 18 1/4" x 12"
Bowl Dimensions	21 1/2" x 16" x 11 3/4"
Drain Size	3 1/2"
Finish Available	Stainless Steel
Minimum cabinet size	27"
Template Included	Yes
Clips Included	Yes
Drain Location	Offset
Accessories Included	Strainer, Bottom grid and Drying rack

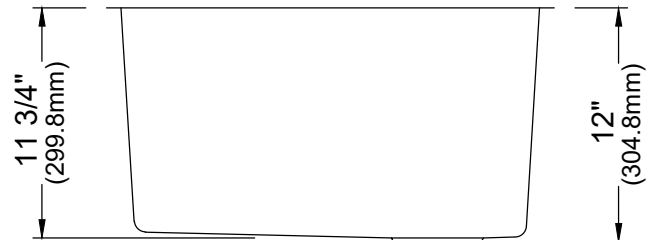
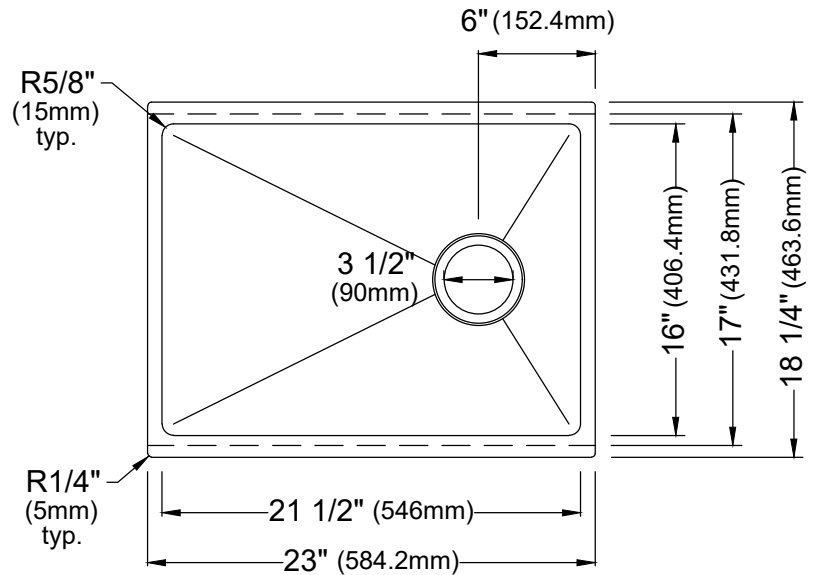


ACCESSORY
Bottom Grid - GR-4005
Strainer - L-3
Drying Rack - DR2217DGR15

Stocked Color Options



Stainless Steel



Listing and certifications:  
cUPC

Limited lifetime warranty

We reserve the right to update product specifications without notice. Please visit [karran.com](http://karran.com) for the most current specification sheets. All dimensions are accurate to 1/4". REV 07-2025