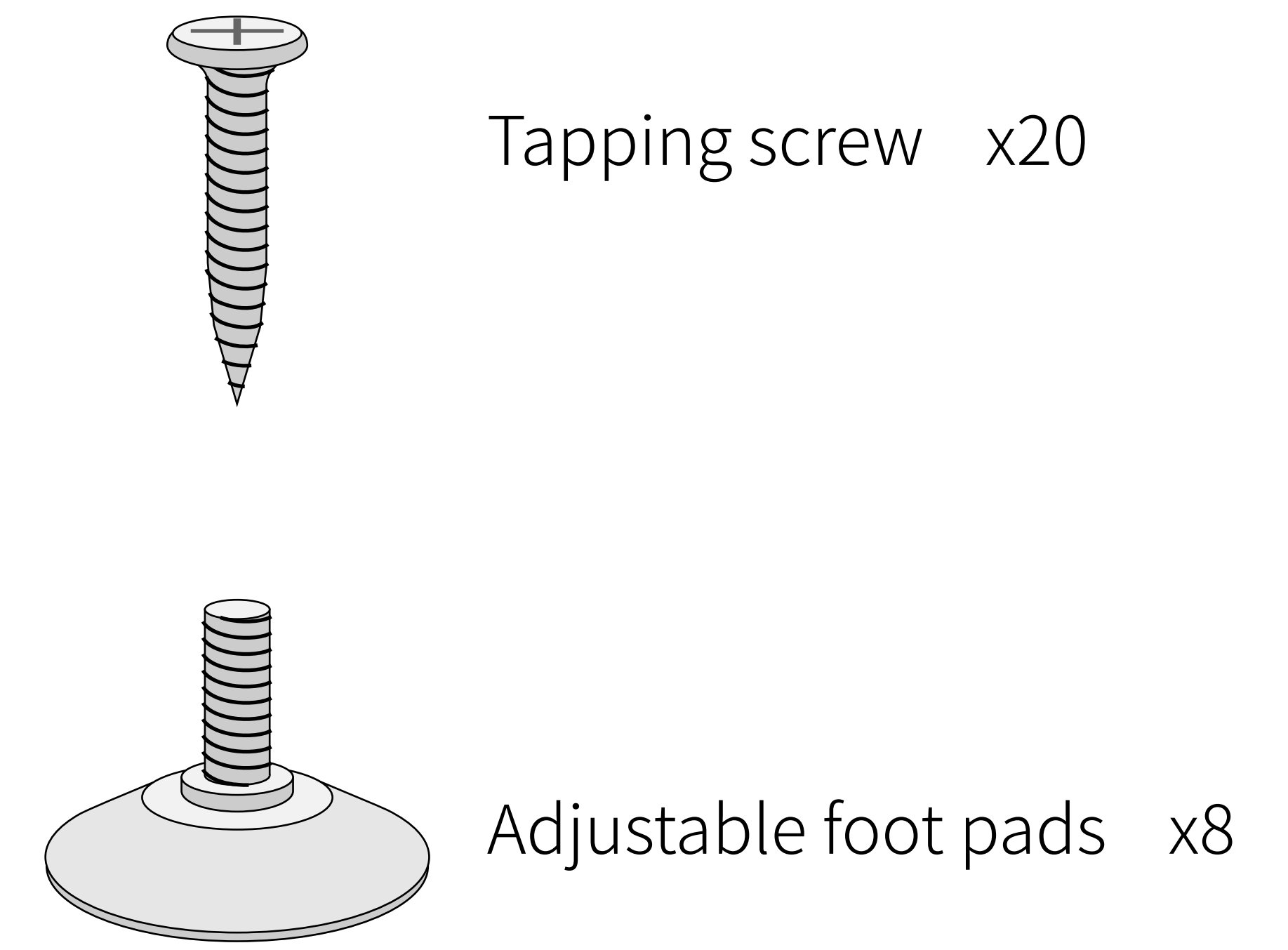
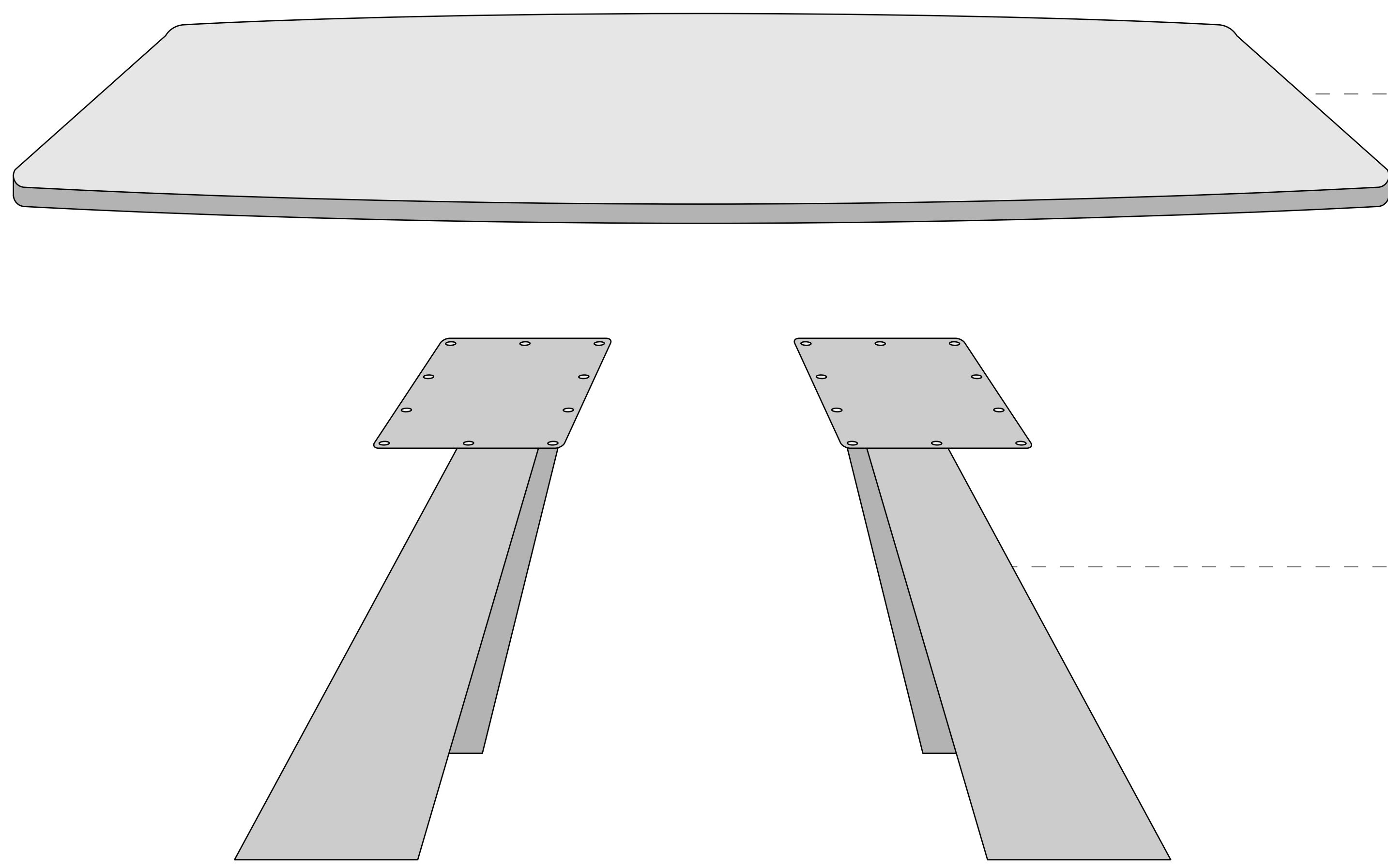


# INSTALLATION INSTRUCTIONS

## PARTS LIST

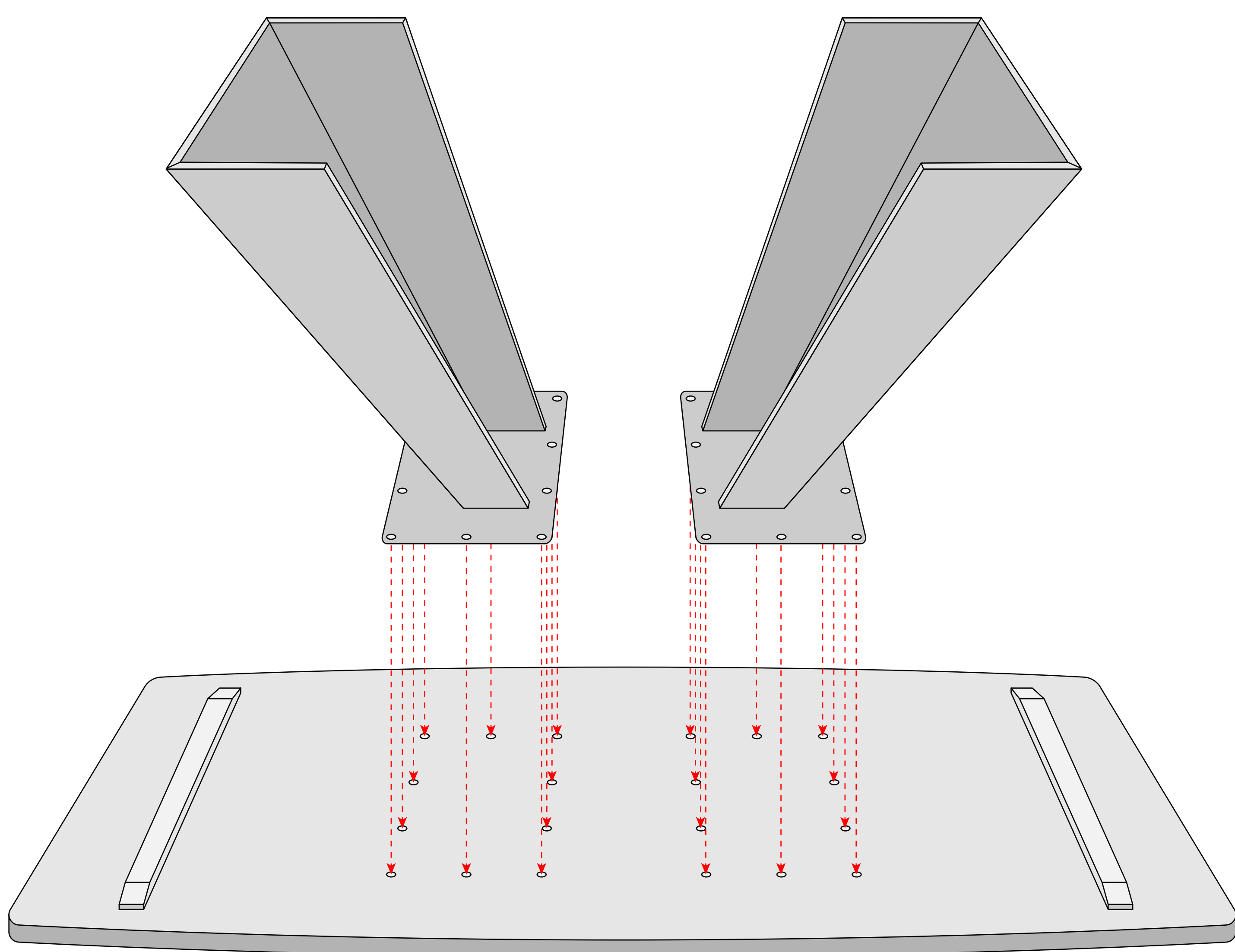


The extra parts are for spare

## STEP 1

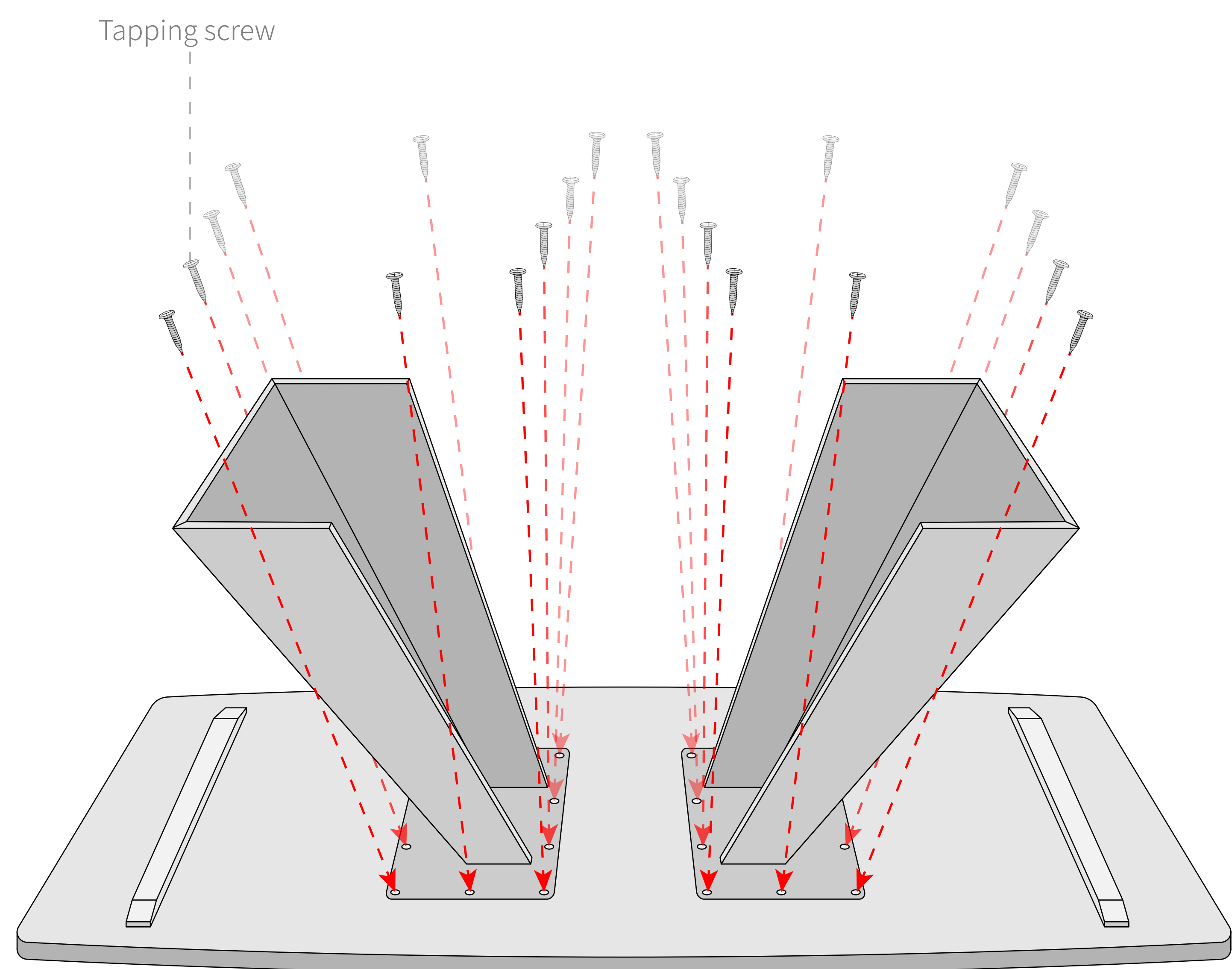
Turn the "Table leg" and "Table board" upside down and place them on the ground.

Place the "Table leg" on the back of the "Table board", aligned with the holes



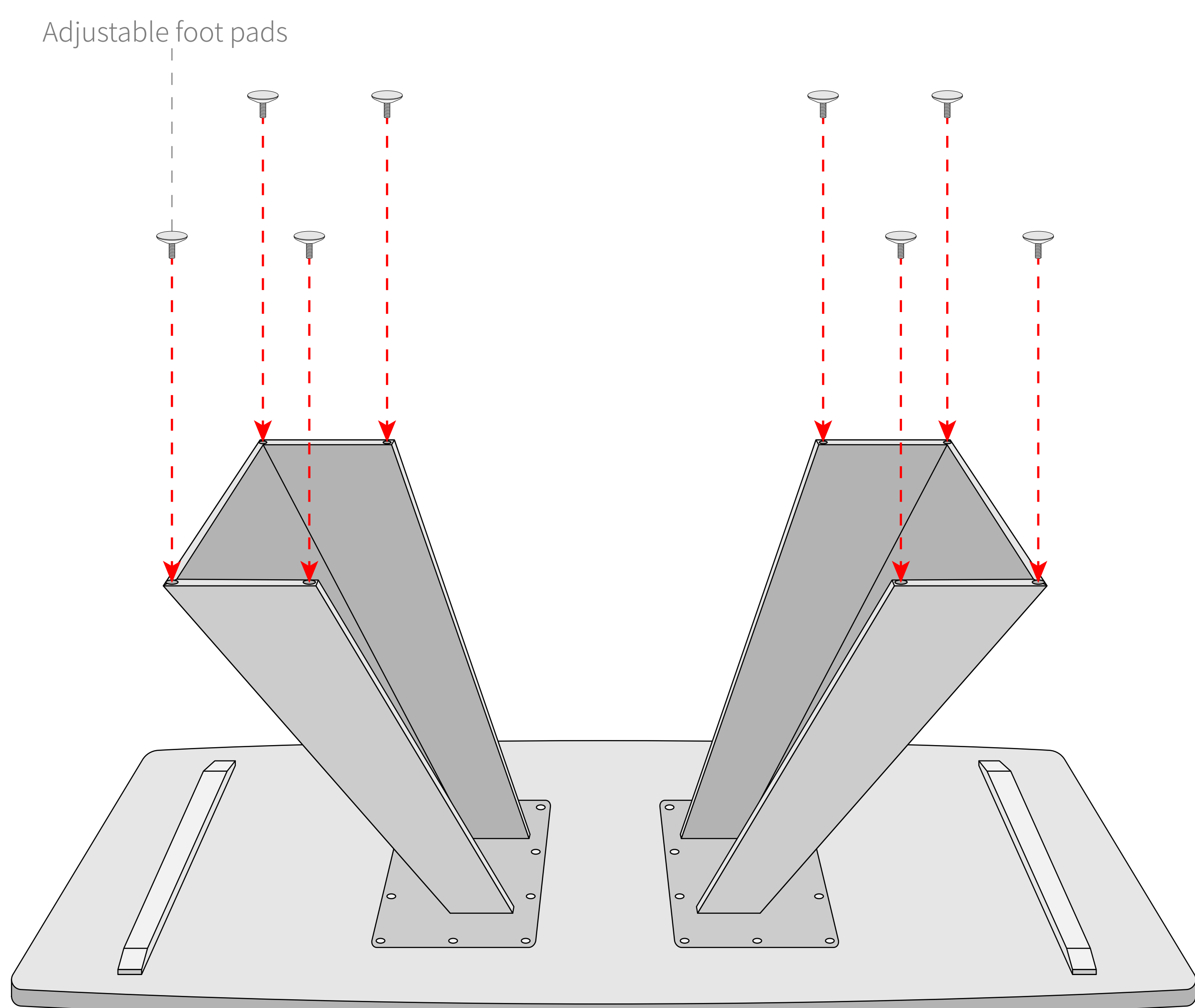
## STEP 2

Fixed with tapping screws

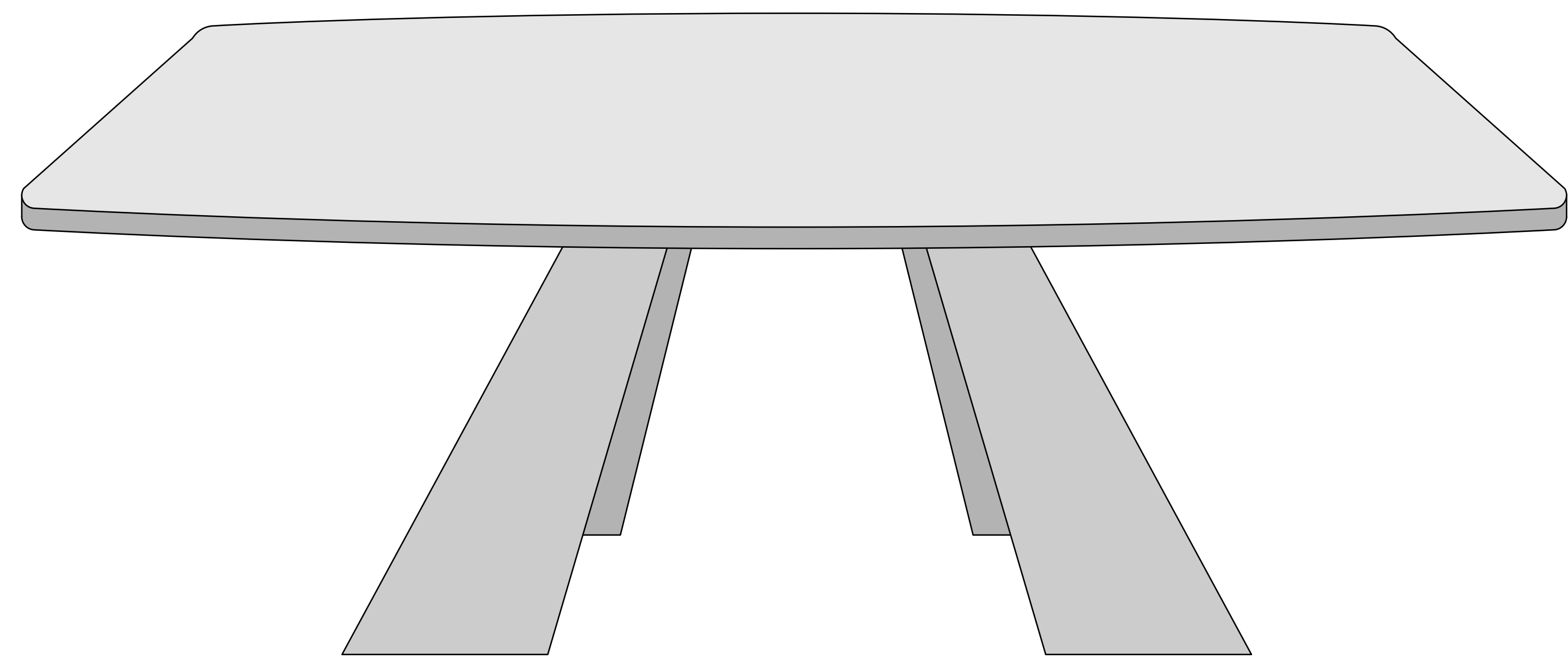


## STEP 3

Install the Adjustable foot pads at the bottom of the table leg



## INSTALLATION COMPLETE



## MAINTENANCE OF FURNITURE

Solid wood furniture is derived from nature and requires proper maintenance methods

1. Avoid prolonged exposure to strong sunlight
2. Avoid placing it at the air conditioning outlet or near the heater, at least 1.5 meters apart
3. Keep the indoor dry humidity stable, do not dry today wet tomorrow
4. Do not contact high-temperature items directly
5. The water stains on the surface of the furniture should be dried as soon as possible
6. Do not place any corrosive objects on the surface  
(such as alcohol/aromatherapy/nail polish remover/soft rubber and other products)