

# BED FRAME

## KING

### ASSEMBLY INSTRUCTIONS

Before assembling your bed frame, please read through these instructions carefully and familiarize yourself with the different parts.



#### PARTS LIST

- ① **SIDE RAILS**                    **2 PCS**
- ② **SLAT KIT**                        **2 SET**
- ③ **SUPPORT RAIL**                   **2 PCS**
- ④ **P SUPPORT LEGS**                **4 PCS**
- ⑤ **L SUPPORT LEGS**                **4 PCS**

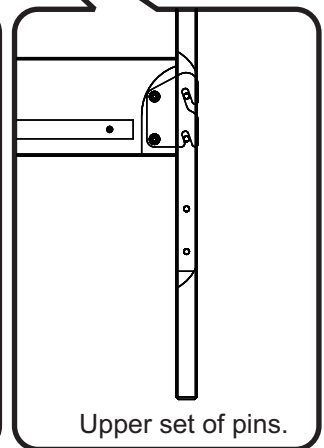
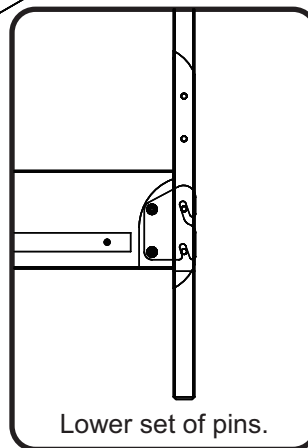
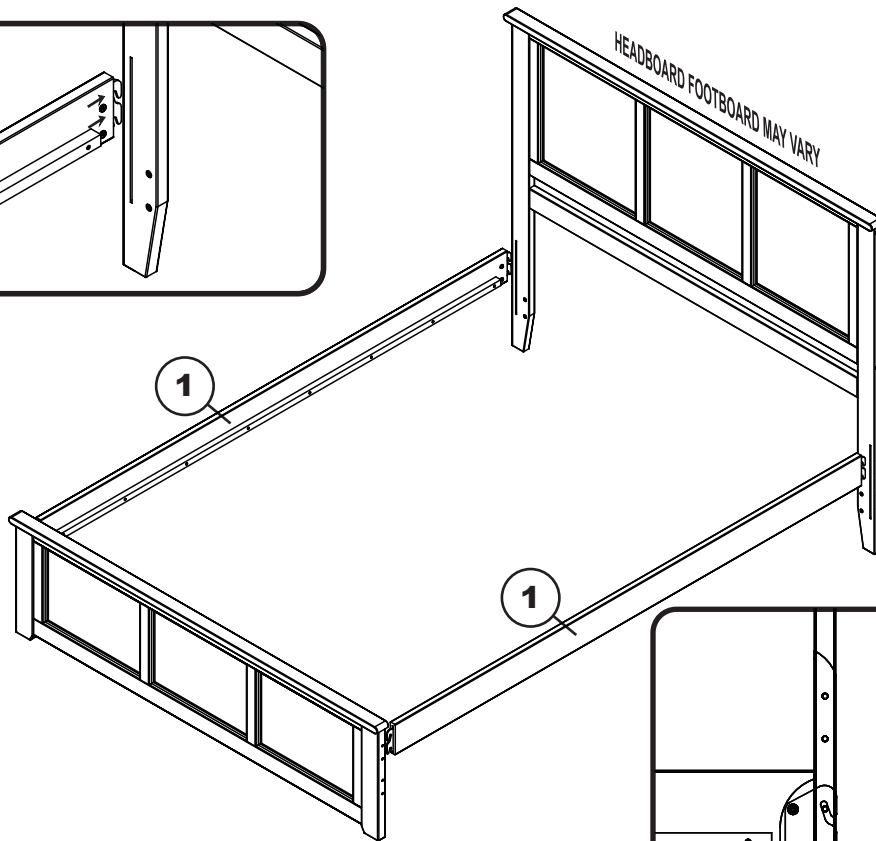
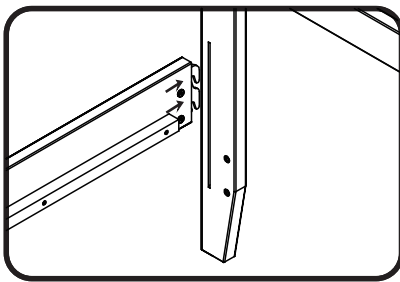
#### HARDWARE

- A** JCB M6 X 30mm ( 1 1/8" ) - 6 pcs  
Spare - 1 pc
- B** Cap Nut - 6 pcs
- C** JCB M8 X 40mm ( 1 5/8" ) - 4 pcs  
Spare - 1 pc
- D** Wood screw(1 1/4" ) - 12 pcs  
Spare - 1 pc
- E** Split Washer - 4 pcs  
Spare - 1 pc
- F** Flat Washer - 4 pcs  
Spare - 1 pc
- G** Allen wrench M4 - 1pc  
Spare - 1pc
- H** Allen wrench M5 - 1pc

NOTE: WE INCLUDE SPARE HARDWARE IN CASE DAMAGE OCCURS DURING ASSEMBLY.

#### Step 1

Attach side rails (1) to the headboard and footboard. For assembly, follow the assembly instructions included with your headboard and footboard.



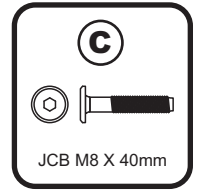
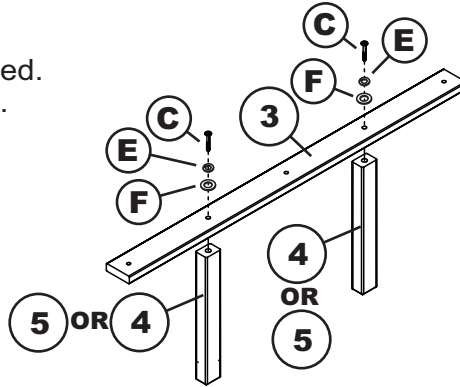
# KING

## Step 2

Attach support legs (4) or (5) to support rail (3) as shown below. Using JCB M8 (C) split and flat washer (E)(F) tighten with Allen wrench M5 (H). Repeat the other.

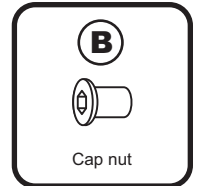
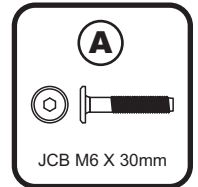
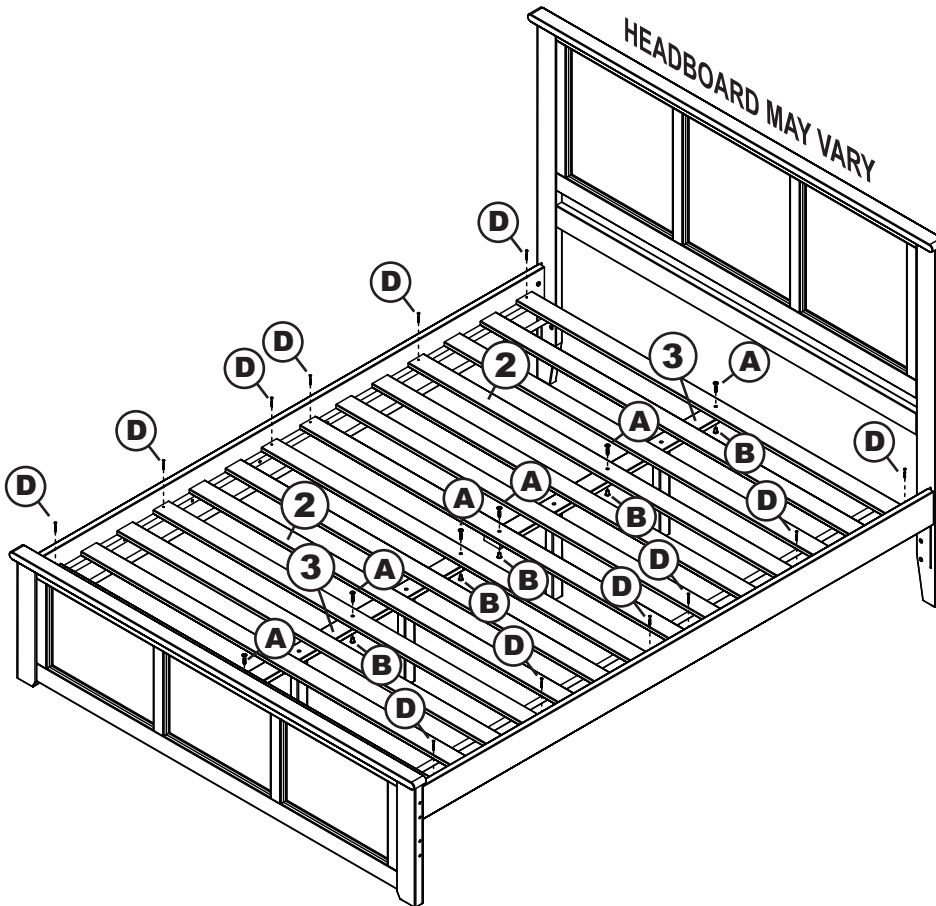
### NOTE :

- Using P Support Leg for Platform Bed.
- Using L Support Leg for Lower Bed.



## Step 3

Attach support rail (3) to the slat kit (2) as shown below. Using JCB M6 X 30mm (A) and cap nut (B). Tighten with Allen wrench M4 (G). Using wood screw (D) tighten with Phillips head screwdriver. (Customer supplied)



## Congratulations!

Your bed is now ready for use.

We recommend that you periodically recheck that all screws are tight to ensure lasting safety.

# BED WITH MATCHING FOOTBOARD

## ASSEMBLY INSTRUCTIONS

Before assembling your bed, please read through these instructions carefully and familiarize yourself with the different parts.



### PARTS LIST

- 1 HEADBOARD PANEL 1 PC
- 2 LEFT LEG 1 PC
- 3 RIGHT LEG 1 PC
- 4 PILLOW STOP 1 PC
- 5 FOOTBOARD 1 PC

Instructions apply for bed sizes  
QUEEN > KING

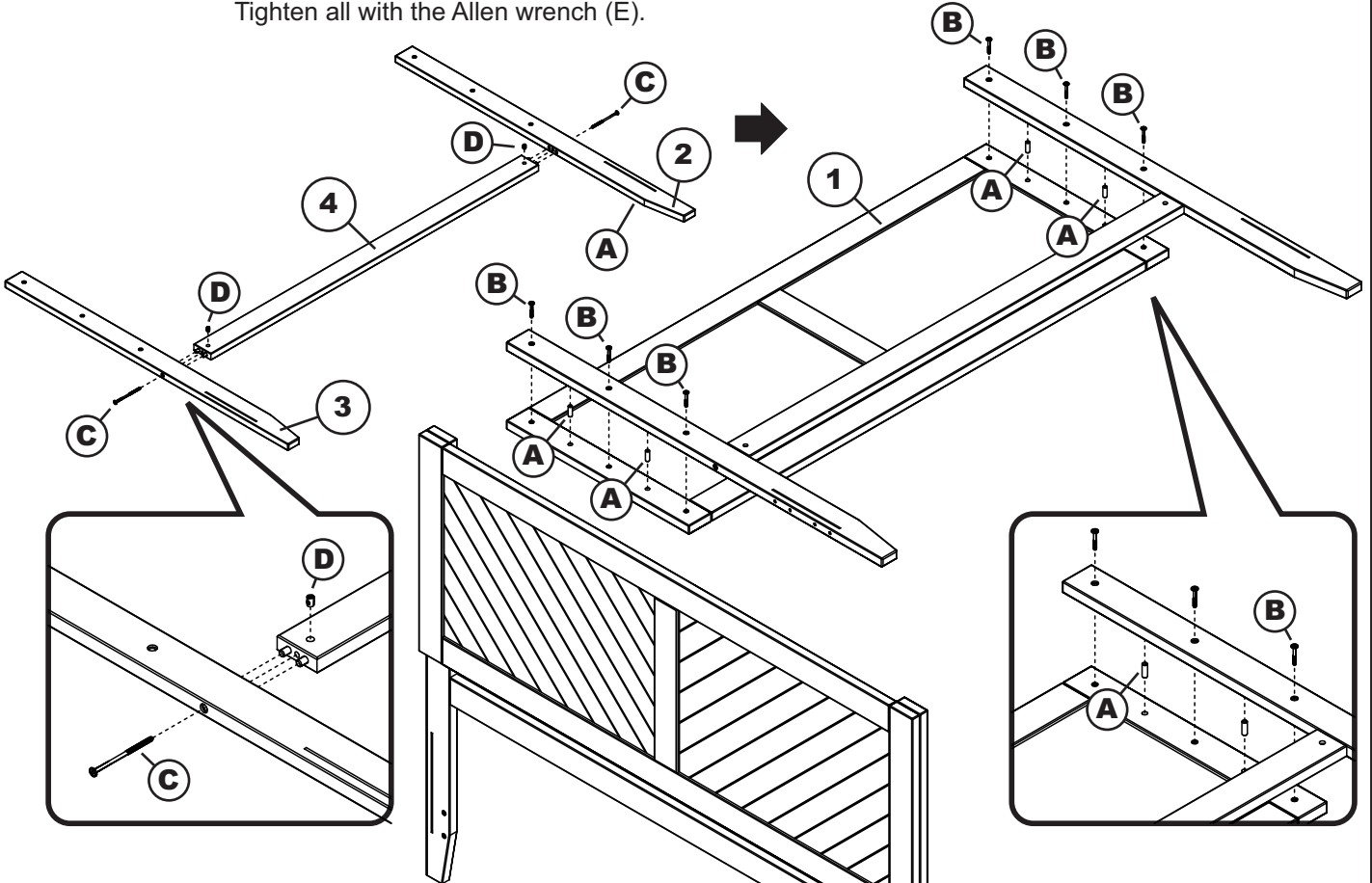
### HARDWARE

- A Wooden dowel - 4 pcs  
Spare - 1 pc
- B JCB M6 X 40mm (1 1/2") - 6 pcs  
Spare - 1 pc
- C JCB M6 X 110mm (4 3/8") - 2 pcs  
Spare - 1 pc
- D Barrel Nut - 2 pcs
- E Allen wrench - 1 pc  
Spare - 1 pc

NOTE: WE INCLUDE SPARE HARDWARE IN CASE DAMAGE OCCURS DURING ASSEMBLY.

### Step 1

Attach the legs (2) and (3) to pillow stop (4), using JCB (C) and barrel nut (D). Do not tighten at this step. Attach leg assembly to headboard panel (1), using wood dowels (A) and JCB (B). Tighten all with the Allen wrench (E).



**Congratulations!**

Your headboard is now assembled.

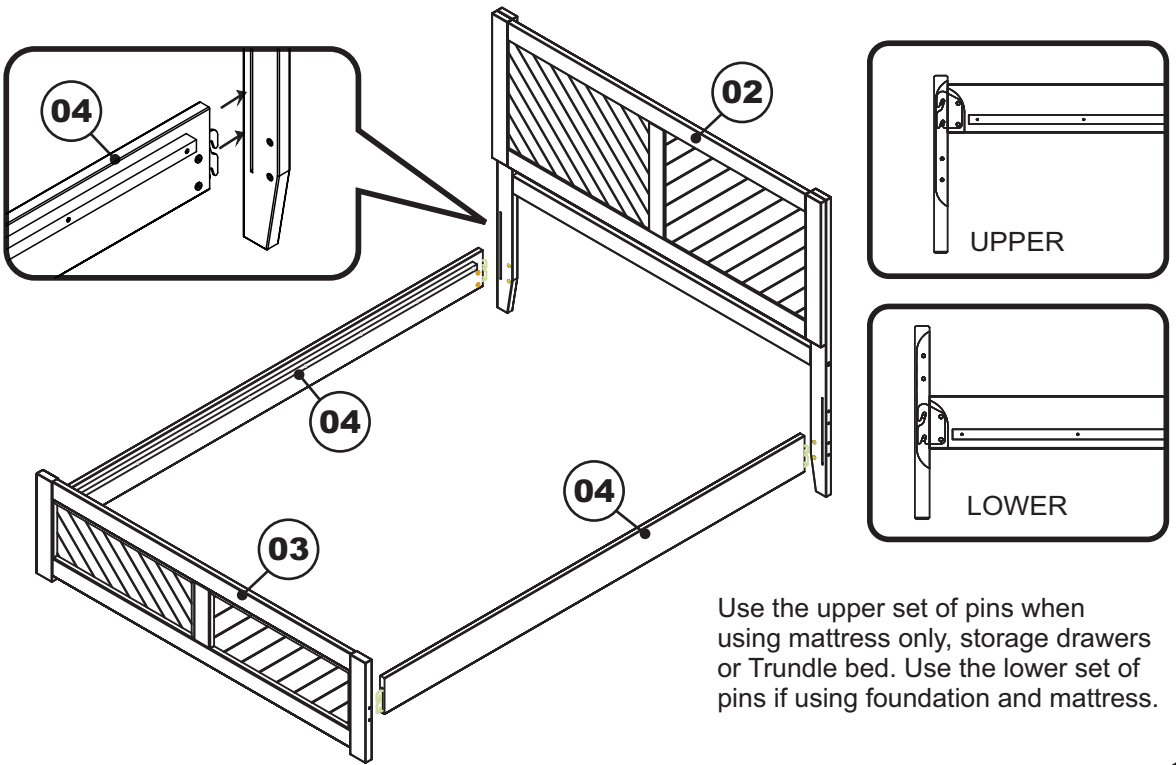
To ensure lasting safety, we recommend that you periodically check that all screws are tight and all parts are secure.



- 01 HARDWARE
  - 02 HEADBOARD
  - 03 FOOTBOARD
  - 04 SIDE RAILS
  - 05 SLAT KIT
- BOX 1
- BOX 2

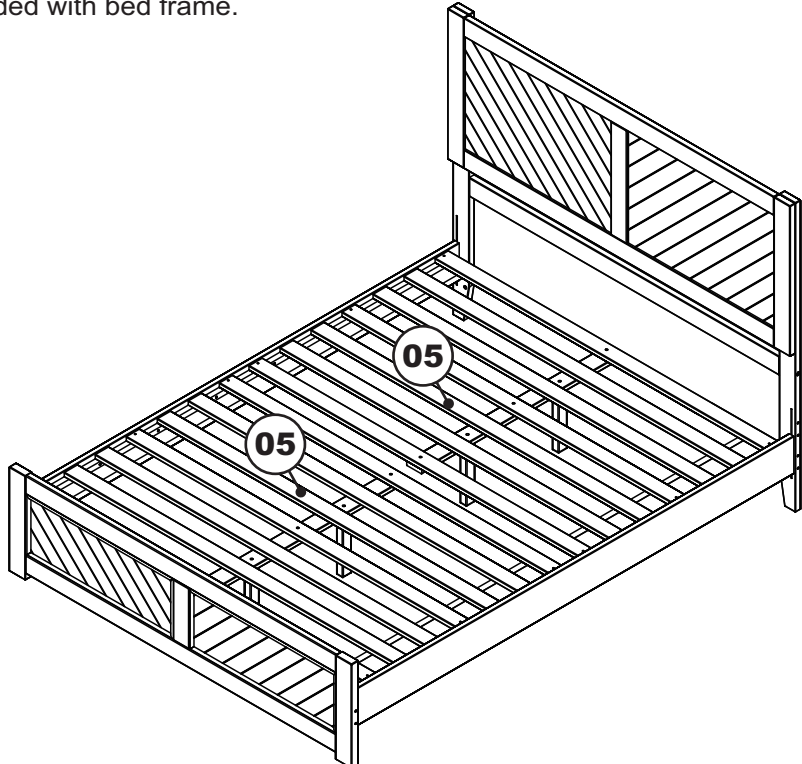


**Step 1** Attach the side rails (04) to the headboard (02) and footboard (03) using the bed hook as shown below.



Use the upper set of pins when using mattress only, storage drawers or Trundle bed. Use the lower set of pins if using foundation and mattress.

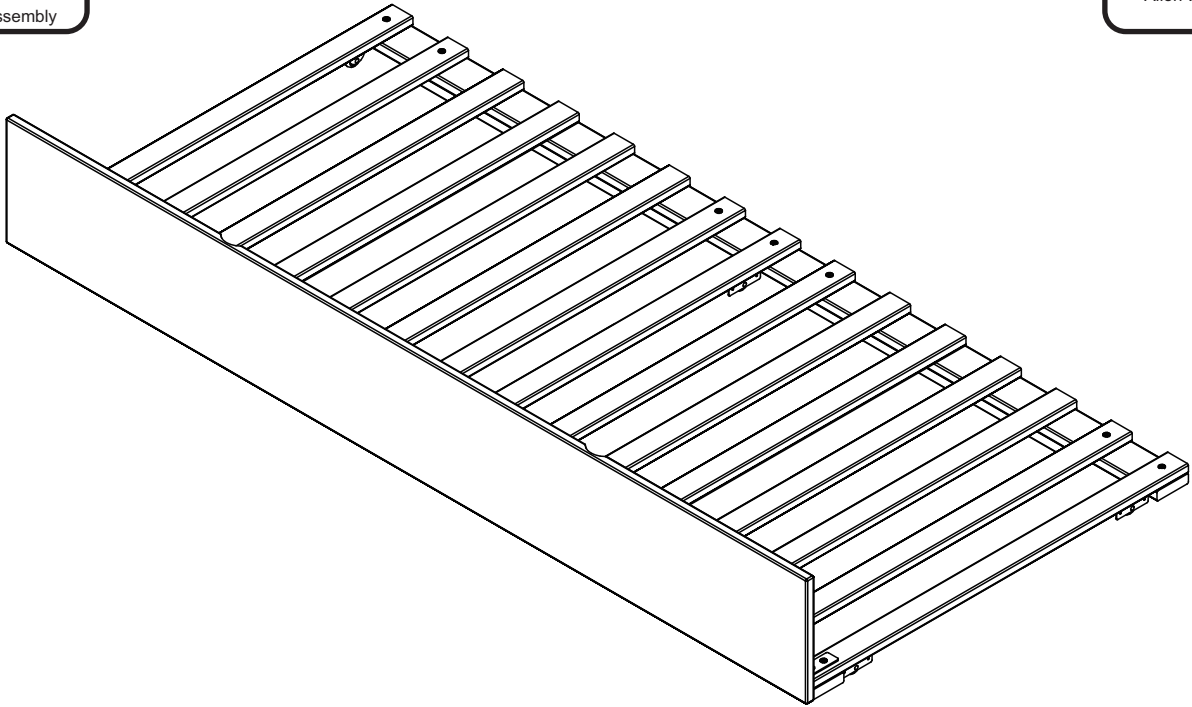
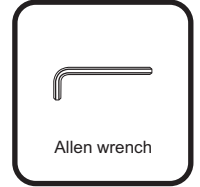
**Step 2** Attach slat kit (05) onto the bed. For assembly of slat kit, follow the assembly instructions included with bed frame.



# TRUNDLE BED

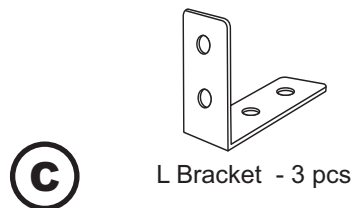
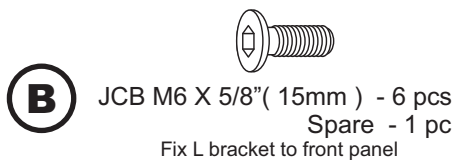
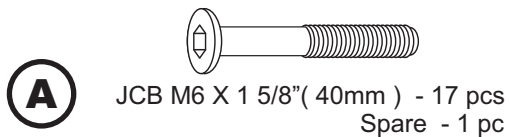
## ASSEMBLY INSTRUCTIONS TWIN XL

Before assembling your Trundle bed, please read through these instructions carefully. Familiarize yourself with the different parts.



## HARDWARE

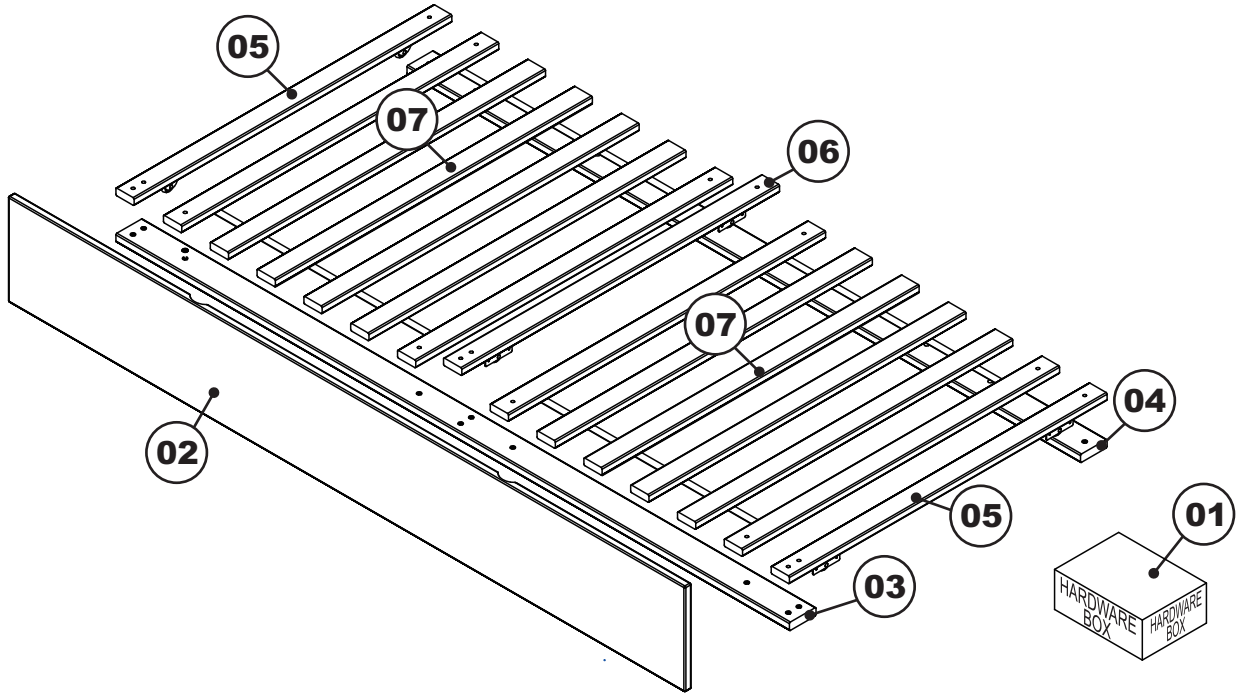
NOTE: WE INCLUDE SPARE HARDWARE IN CASE DAMAGE OCCURS DURING ASSEMBLY.



TWIN XL

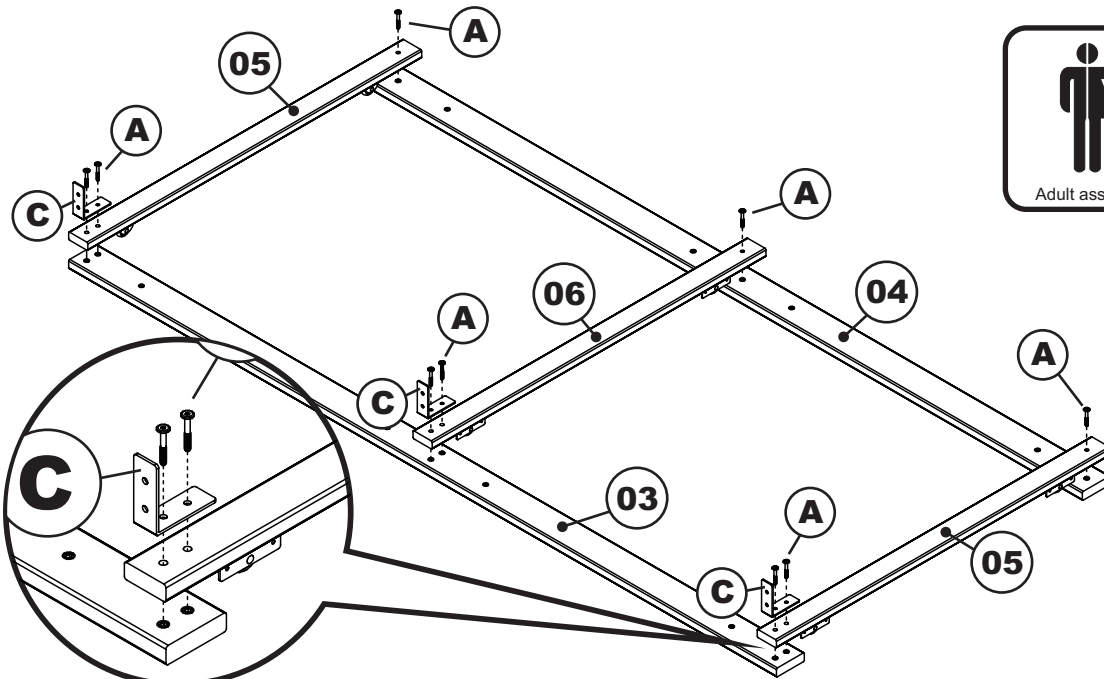
PARTS LIST

<b>01</b>	<b>HARDWARE</b>	<b>1 BOX</b>	<b>05</b>	<b>SIDE CROSS RAIL</b>	<b>2 PCS</b>
<b>02</b>	<b>FRONT PANEL</b>	<b>1 PC</b>	<b>06</b>	<b>CENTER CROSS RAIL</b>	<b>1 PC</b>
<b>03</b>	<b>FRONT RAIL</b>	<b>1 PC</b>	<b>07</b>	<b>SLAT KIT</b>	<b>2 SET</b>
<b>04</b>	<b>BACK RAIL</b>	<b>1 PC</b>			

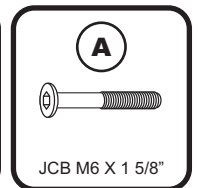


**Step 1**

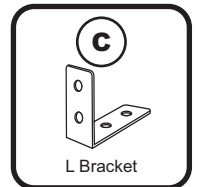
Attach the side cross rails (05) and center cross rail (06) to the front and back rail (03)(04), using L bracket (C), JCB M6 X 1 5/8" (A). Tighten with the Allen wrench (D).



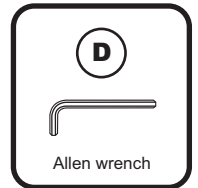
Adult assembly



JCB M6 X 1 5/8"



L Bracket

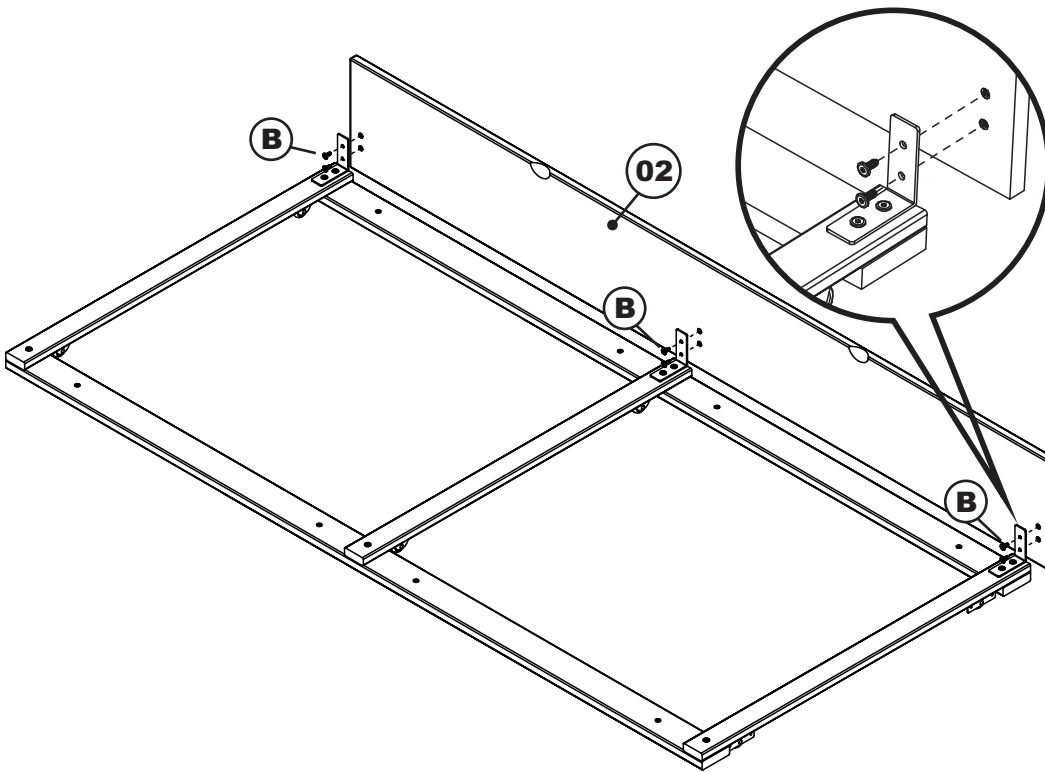


Allen wrench

## TWIN XL

### Step 2

Attach the front panel (02) to the front rail as shown, using JCB M6 X 5/8" (B). Tighten with the Allen wrench (D).



Adult assembly

B



JCB M6 X 5/8"

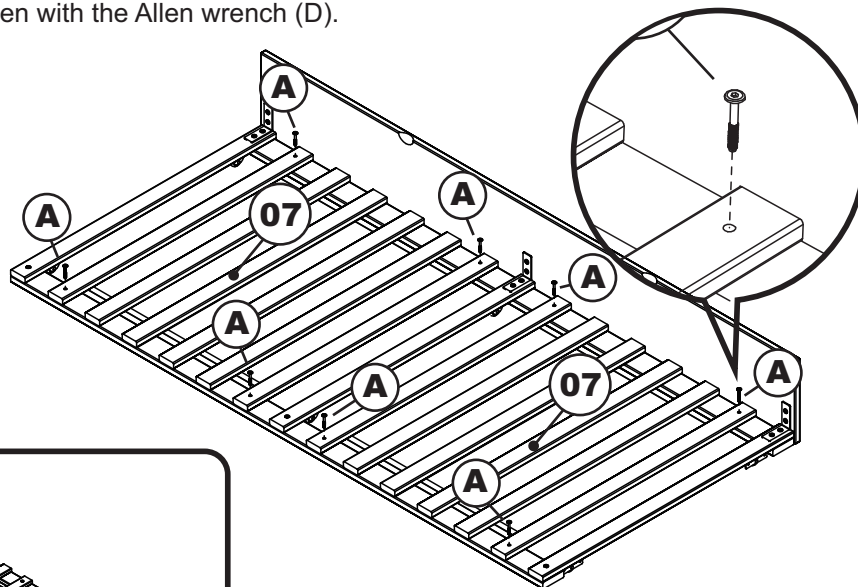
D



Allen wrench

### Step 3

Lay the slat kit (07) onto the rail assembly as shown, using JCB M6 X 1 5/8" (A). Tighten with the Allen wrench (D).



Adult assembly

A

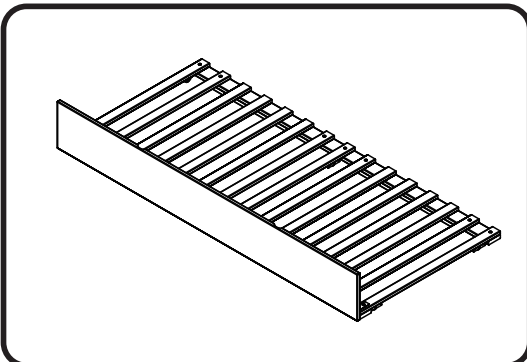


JCB M6 X 1 5/8"

D



Allen wrench



### Congratulations!

Your Trundle bed is now ready for use.

We recommend that you periodically check that all screws are tight and all parts are secure to ensure lasting safety.