






Assembly Instructions

Thank you for purchasing this quality product. Please read instructions thoroughly before unpacking assembly parts.

Caution: Sharp, exposed staple tips can cause injury. Therefore, for your protection, please remove any exposed staples used in packing.

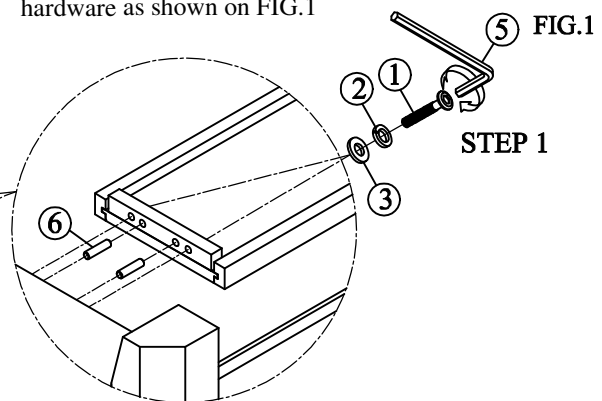
Please keep all hardware parts out of the reach of children.

1. We recommend that you should assemble this product with the assistance of another person; this will make assembly easier and will help to prevent personal injury and to insure parts are not damaged during assembly process.
2. Before beginning, please check packing materials carefully for small parts that may have come loose inside the carton during shipping. Do not discard any packing material until all parts have been located. If any parts are missing, please contact your dealer for prompt replacement.
3. To prevent damage to your floor or carpet, please check the bottom of each piece of furniture for stain residues and rough surface and also check for staples or nail left after removing the packing materials. The manufacturer will not be held responsible if preventive steps are not taken prior to installation.
4. Please do not over tighten screws or bolts. During normal use everyday screws, bolts, nuts and wooden plugs may loosen up. They should be periodically inspected and re-tightened to prevent damage to the furniture and (or) personal property or cause injury. Always check to be sure all hardware on this list and below mentioned components are attached to the furniture properly and kept tightened.
5. Please lay all parts and hardware on a non-abrasive surface such as a carpet and follow the assembly.

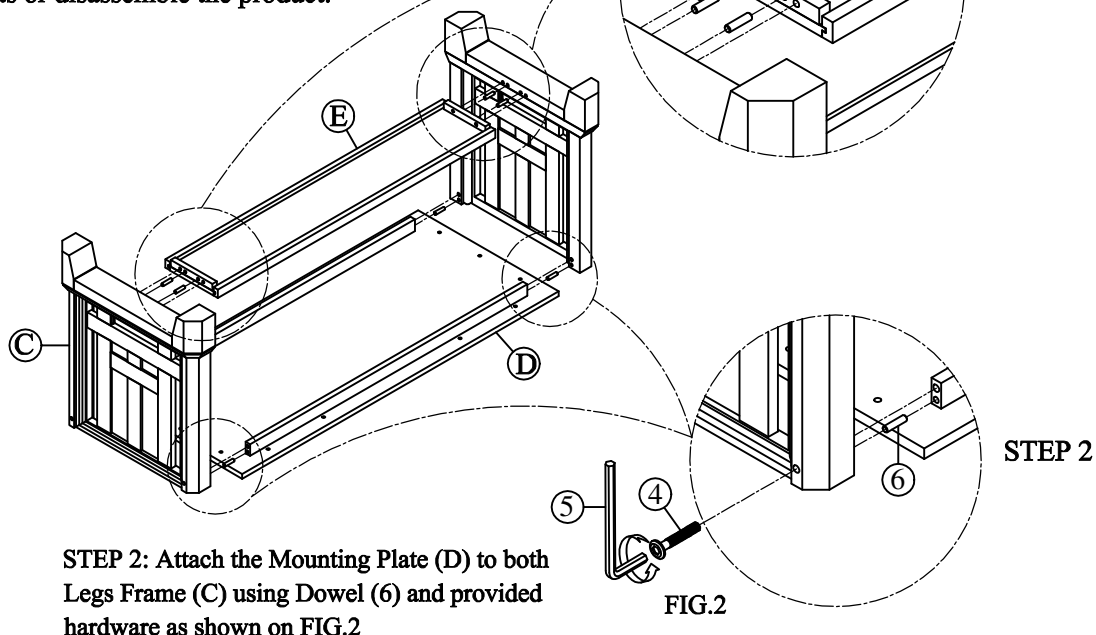
NO.	SKETCH	PARTS LIST	Q' ty
A		Table Top	1
B		Extension Leaf	1
C		Leg Frame	2
D		Mounting Plate	1
E		Stretcher	1

NO.	HARDWARE LIST	Q' ty
1	 JCBC $\varnothing 1/4'' \times 38\text{mm}$	18
2	 $\varnothing 1/4'' - 13\text{mm}$ Spring washer	18
3	 $\varnothing 1/4'' - 19\text{mm} \times 2\text{mm(T)}$ Flat washer	18
4	 JCBC $\varnothing 1/4'' \times 95\text{mm}$	4
5	 Allen Key (4mm)	1
6	 $\varnothing 10'' \times 35\text{mm}$ Dowel	8

STEP 1: Attach the Stretcher (E) to both Legs Frame (C) using Dowel (6) and provided hardware as shown on FIG.1



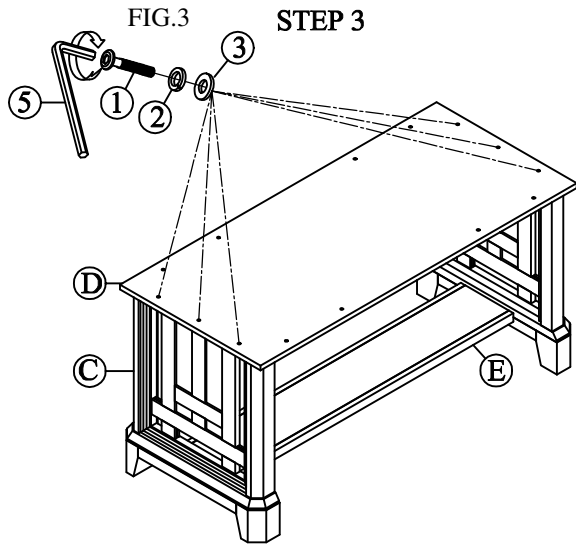
TIP: Store the Allen key and Wrench in assembly in this product drawer or use masking or painter tap to affix it to the underside of the product. This will make it easier to find if you want to periodically tighten bolts or disassemble the product.



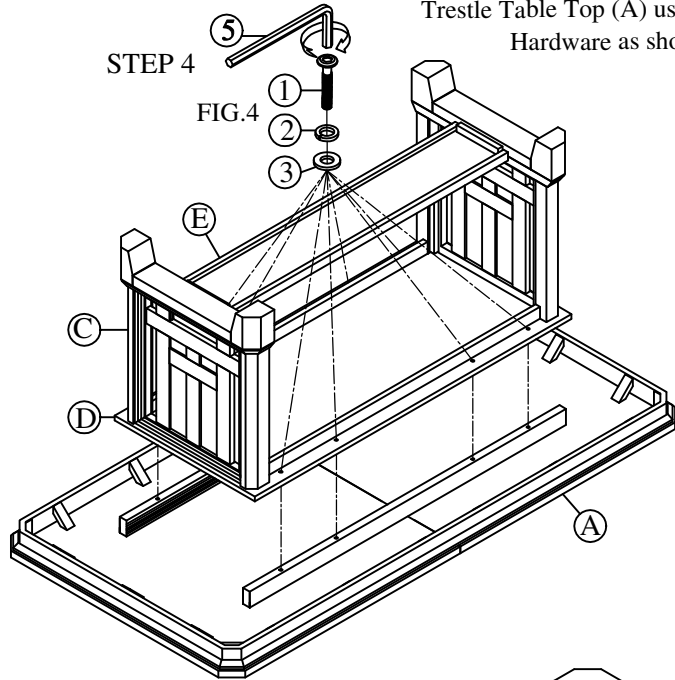
STEP 2: Attach the Mounting Plate (D) to both Legs Frame (C) using Dowel (6) and provided hardware as shown on FIG.2

Assembly Instructions

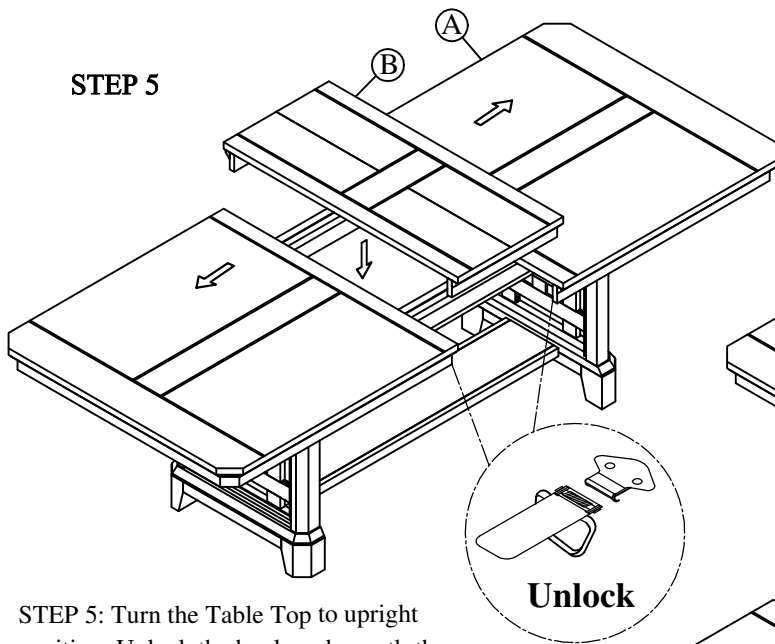
STEP 3: Turn the Trestle Table Base (C,D,E) upright position and attach the Mounting Plate (D) using provided hardware as show on FIG.3



STEP 4: Place the Table Top upside down on a soft protective surface and turn the Trestle table base (C,D,E) upside down and attach to the Trestle Table Top (A) using provided Hardware as show on FIG.4

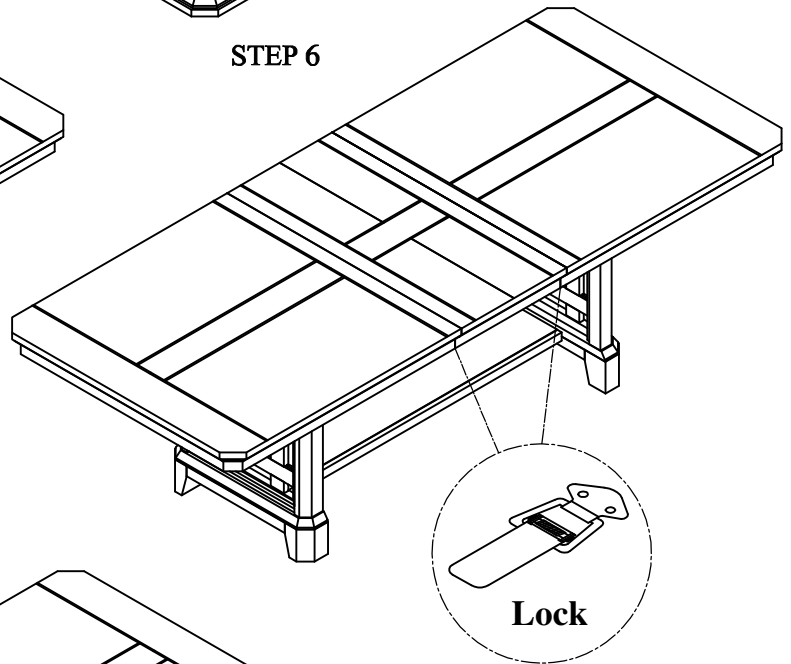


STEP 5

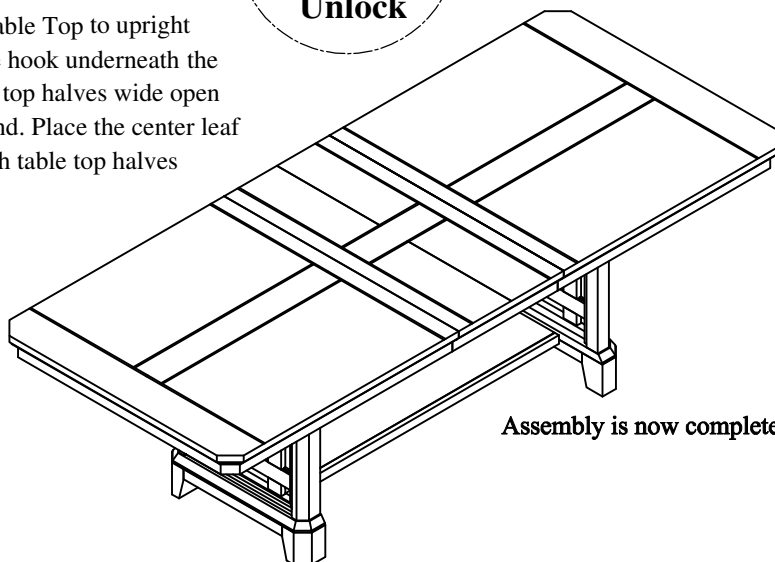


STEP 5: Turn the Table Top to upright position. Unlock the hook underneath the table and slide table top halves wide open equally from both end. Place the center leaf aligned between both table top halves

STEP 6



STEP 6: Push table top from both ends to close, lock the hook underneath the table.



Assembly is now completed.