



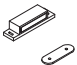





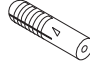
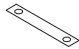
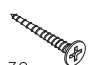
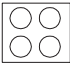
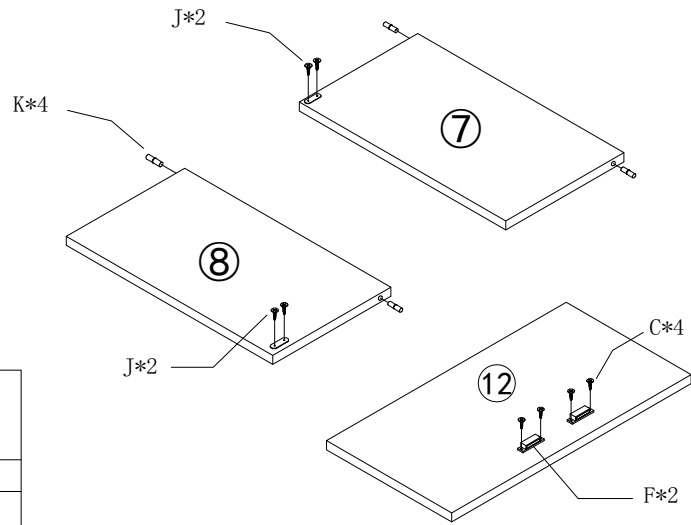
 <b>A</b> 28x	 <b>B</b> 28x
 <b>C</b> 3x14 22x	 <b>D</b> 2x
 <b>E</b> 18mm 2x	 <b>F</b> 2x
 <b>G</b> 18x	 <b>H</b> 4x
 <b>I</b> 3.5*14 22x	 <b>J</b> 3*10 4x
 <b>K</b> 4x	 <b>L</b> 2x
 <b>M</b> 2x	 <b>N</b> 3.5x30 2x
 <b>O</b> 28x	

1



C

3x14

4x

J

3\*10

4x

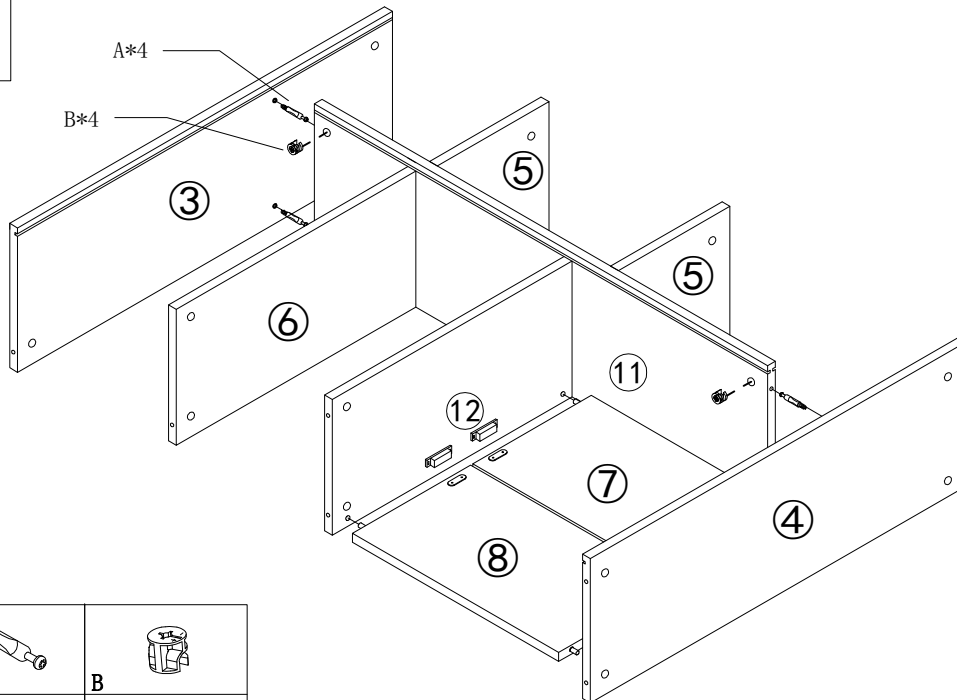
F

2x

K

4x

3



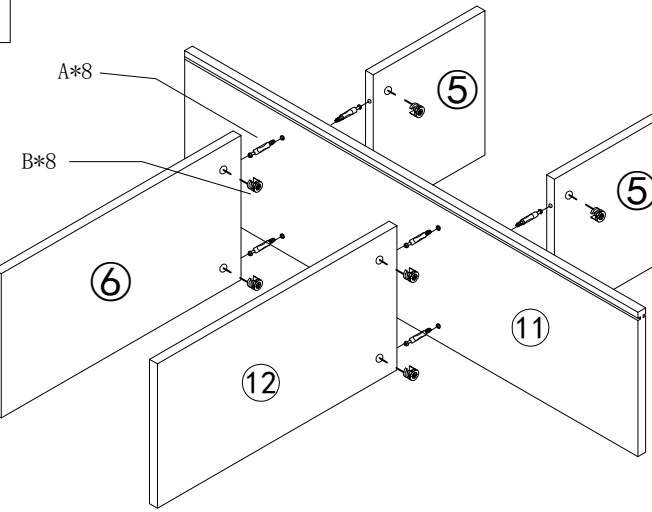
A

4x

B

4x

2



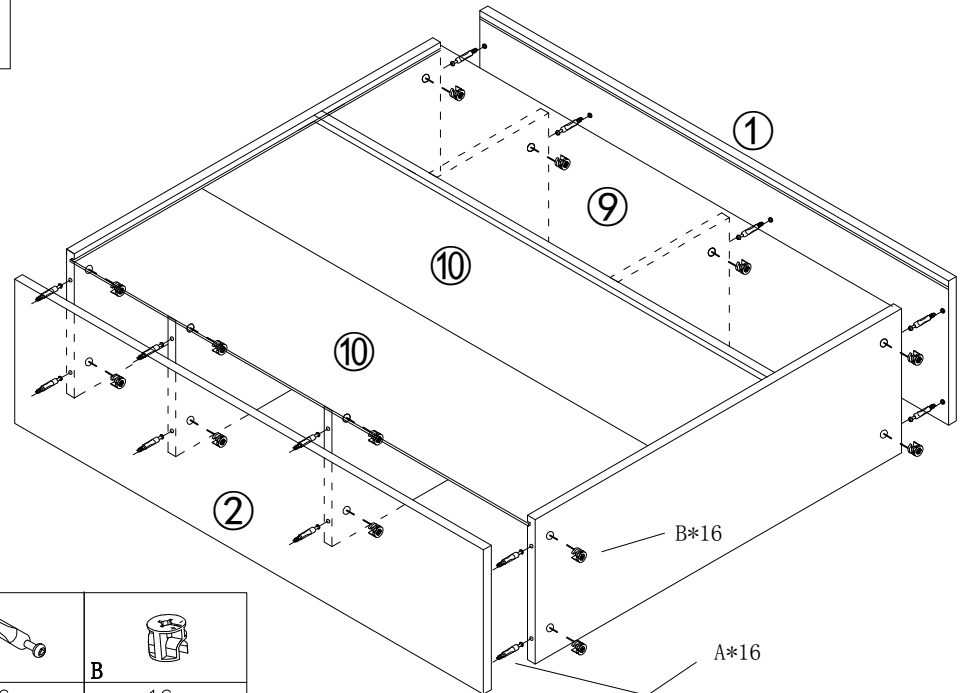
A

8x

B

8x

4



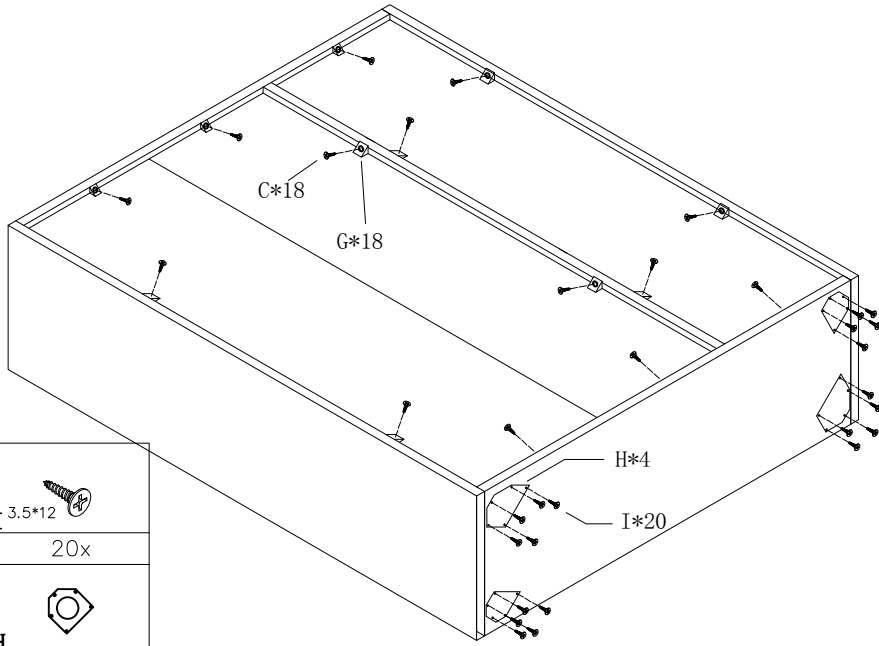
A





16x

B

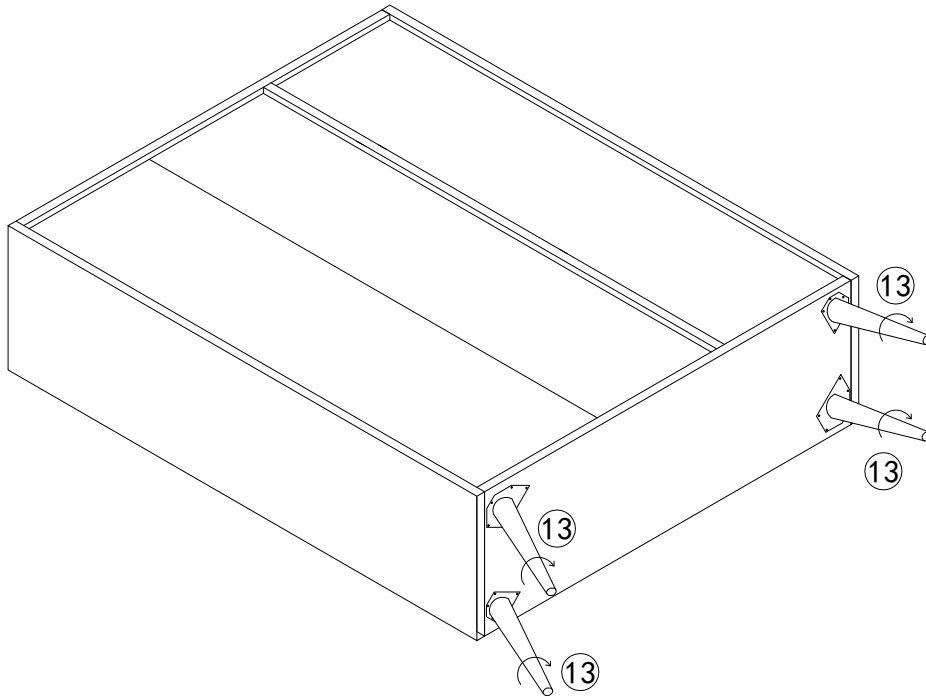
16x

5

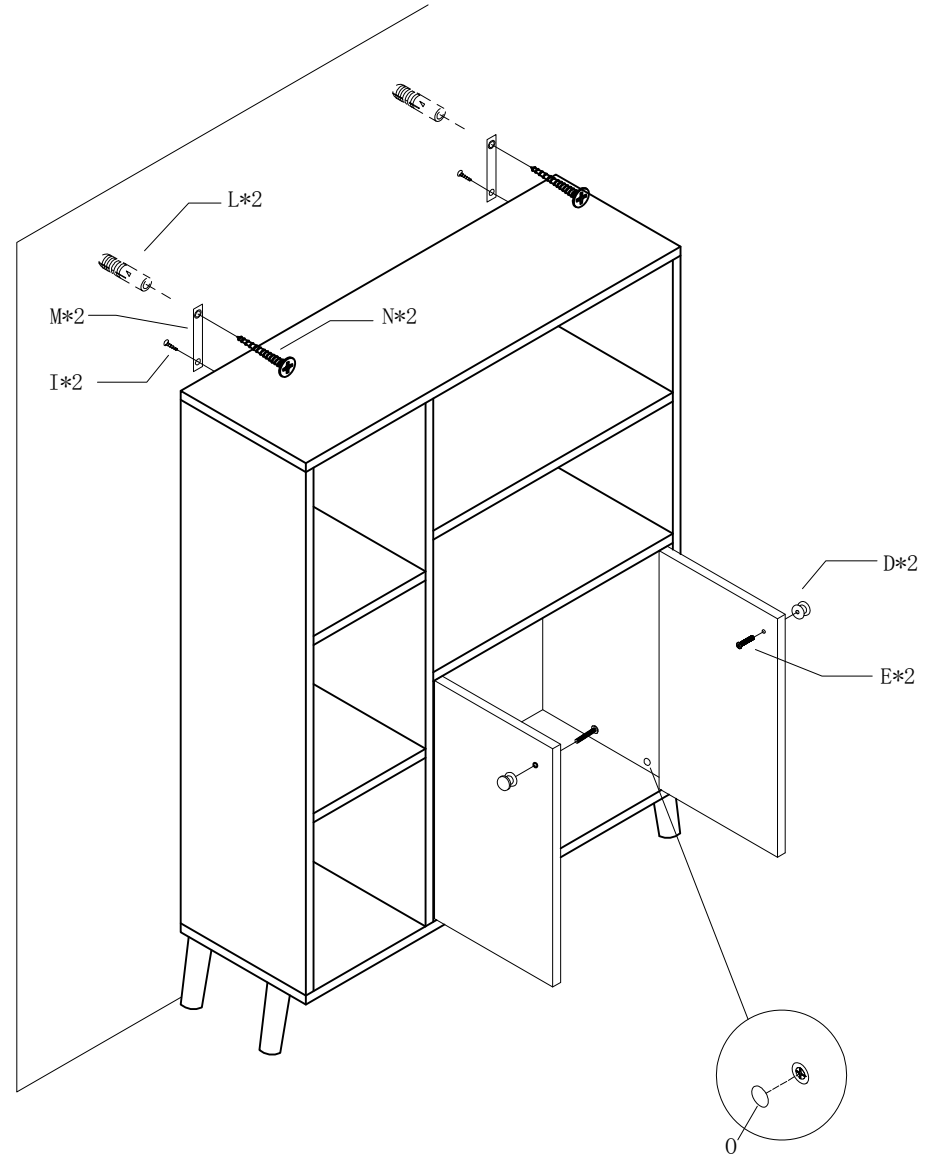






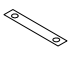

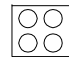
<b>C</b>  3x14 18x	<b>I</b>  3.5*12 20x
<b>G</b>  18x	<b>H</b>  4x

6



7



<b>D</b>  2x	<b>E</b>  18mm 2x	<b>I</b>  3.5*14 2x	
<b>L</b>  2x	<b>M</b>  2x	<b>N</b>  3.5x30 2x	<b>O</b>  28x