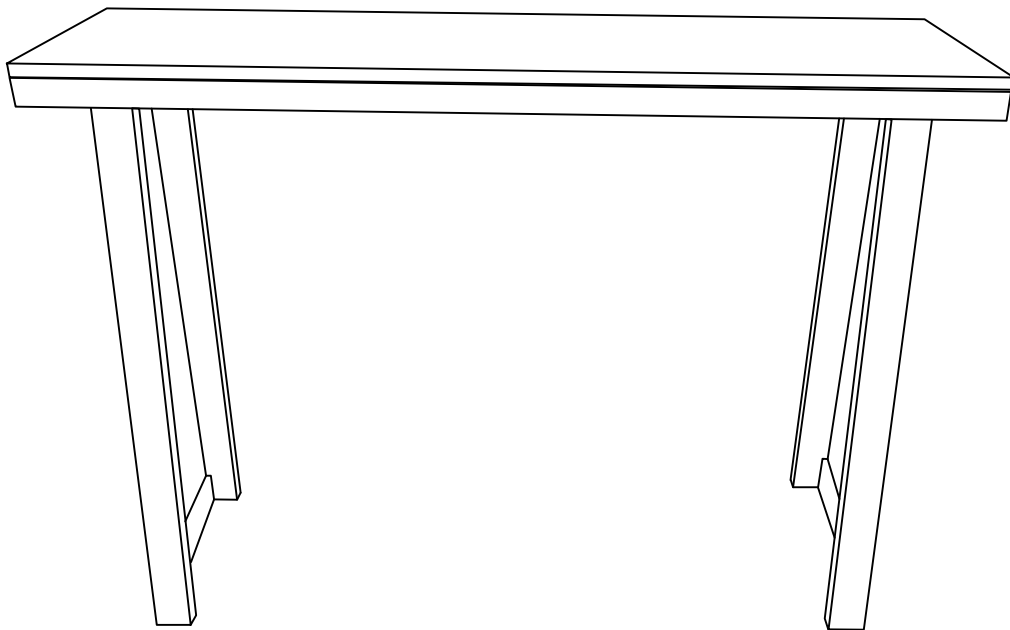


# ASSEMBLY INSTRUCTIONS

## Console Table



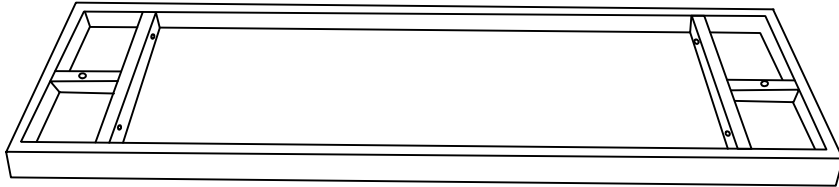
### NOTE TO CUSTOMERS:

- For ease and speed of assembly we recommend that before you commence each step of the assembly that you identify all the parts required to complete that step.
- We recommend that where possible you allow sufficient space to assemble the item as close as possible to the place where it will be once assembled.
- For the protection of your furniture we recommend that the product is placed on protected surfaces during assembly to prevent any damage.
- During assembly do not over tighten ,as this may damage the product.
- Please ensure you retain all the product packaging until the item completely assembled.
- Please periodically check all fittings and re-tighten as necessary.
- Never allow any liquids to remain on your furniture as absorption can cause the wood to warp or the finish to de-laminate.
- It is recommended that this item should be assembled by two adults.

# Part List

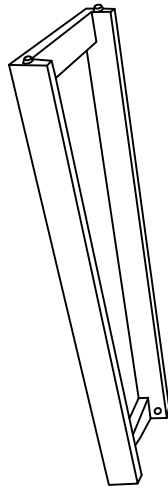
A1

Quantity  
of 1



Top Panel

A2



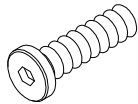
Quantity  
of 2

Leg

## Hardware List

B1

Quantity  
of 6



Bolt

B2

Quantity  
of 4



Nut

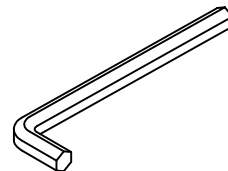
B3

Quantity  
of 6



Washer

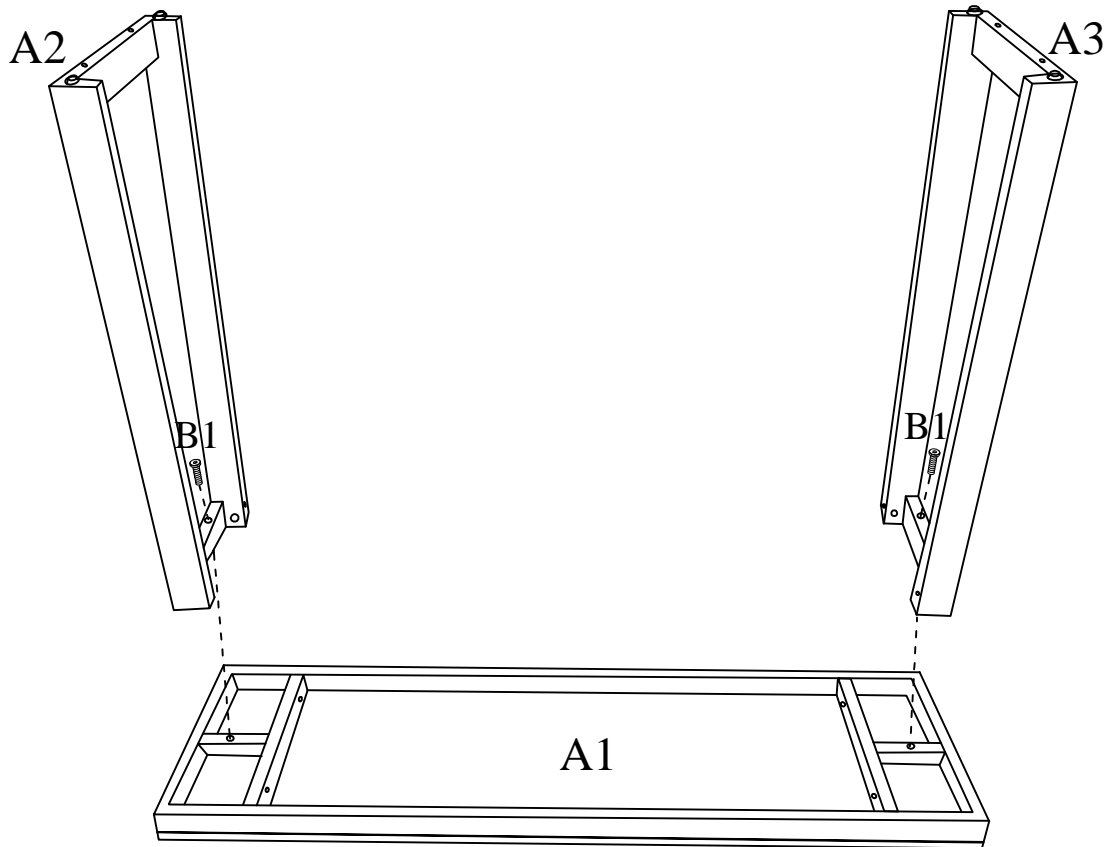
Quantity  
of 1






Allen Wrench

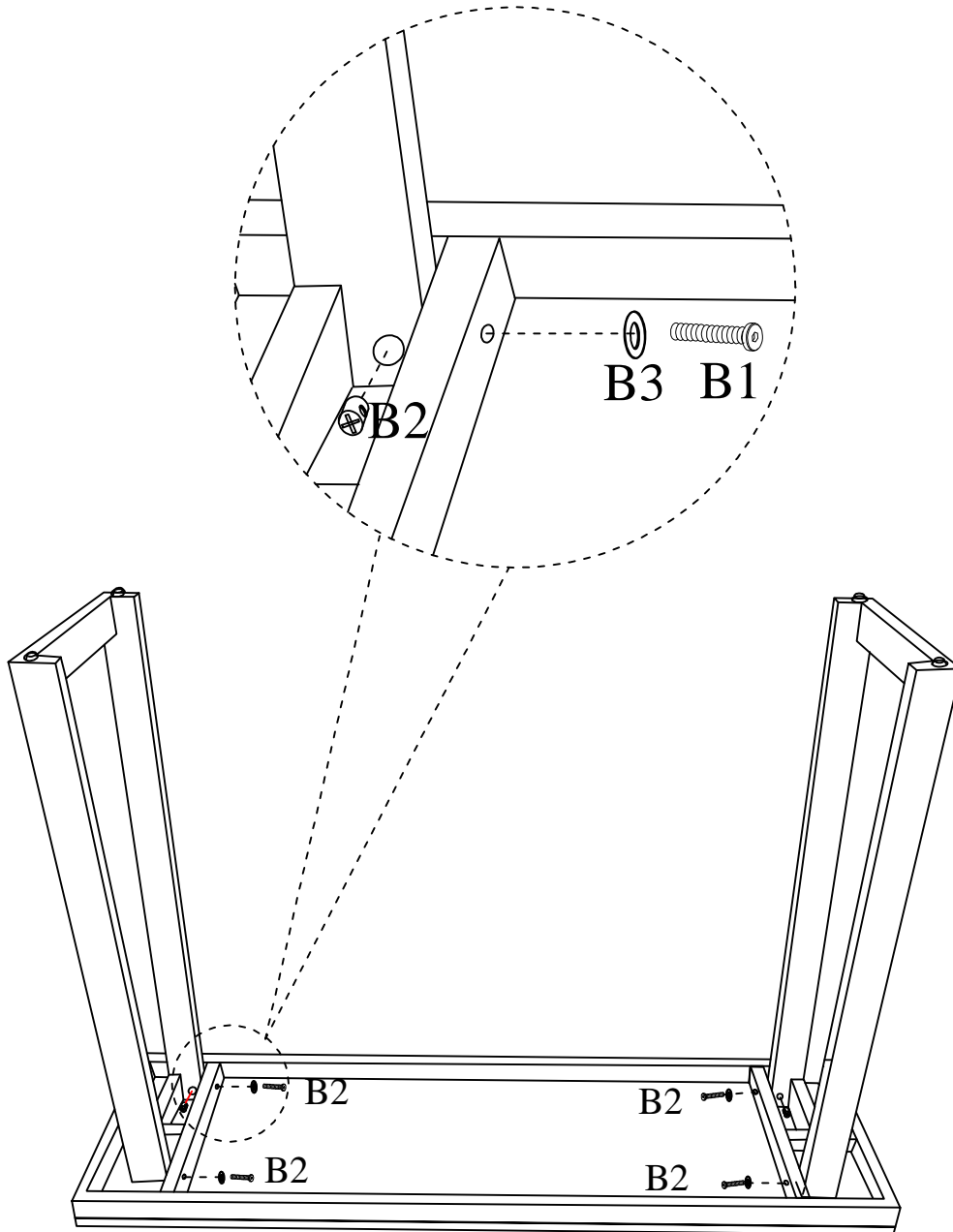
# Assembly instructions

B1 :  2pcs



Do not fully tighten Bolts until Step 2 .

- |      |   |      |
|------|---|------|
| B1 : |  | 4pcs |
| B2 : |  | 4pcs |
| B3 : |  | 6pcs |



Do not fully tighten Bolts until all of the bolts are attached.