



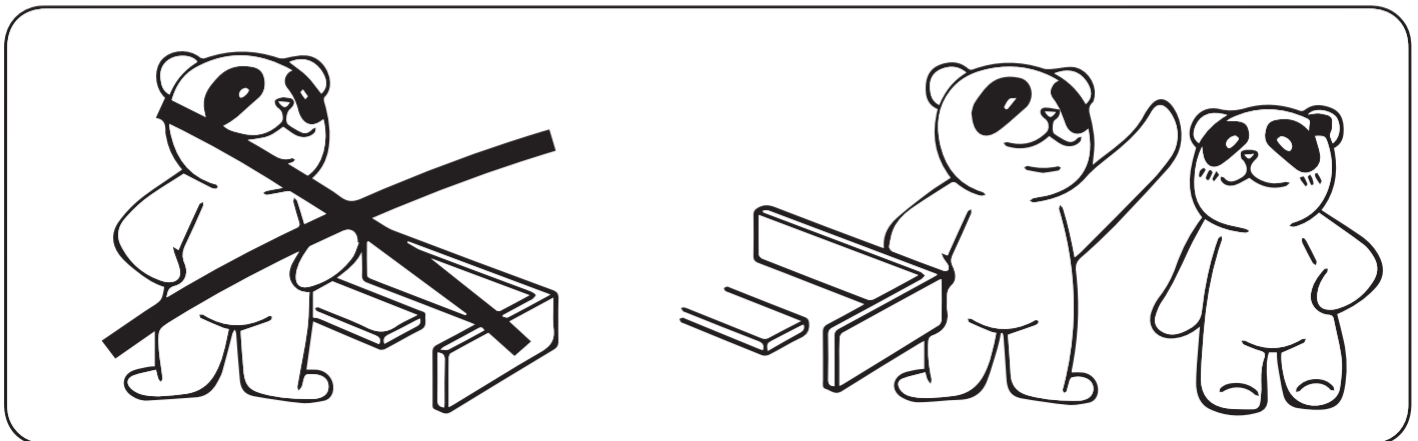
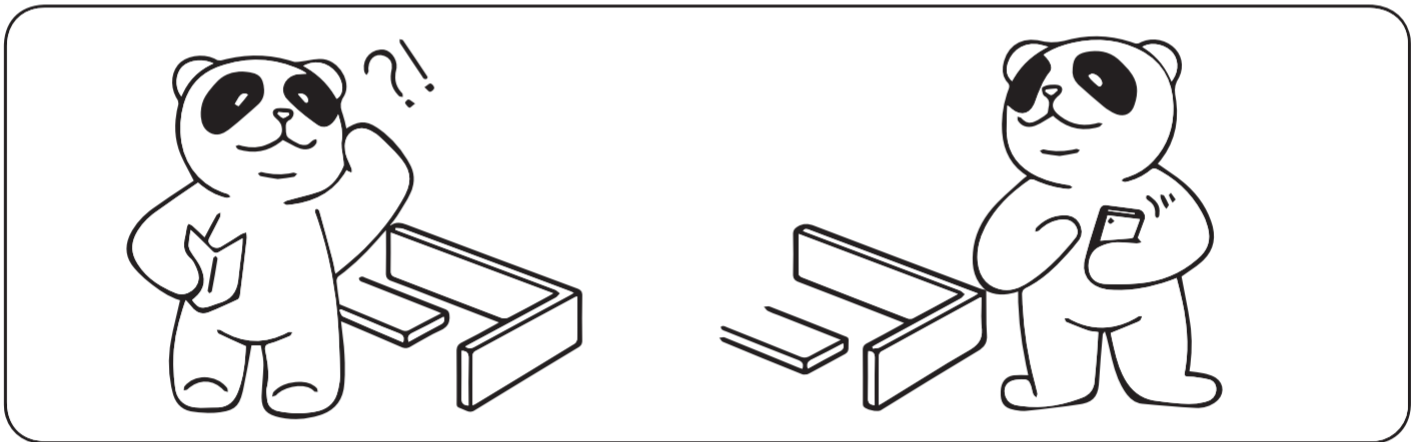
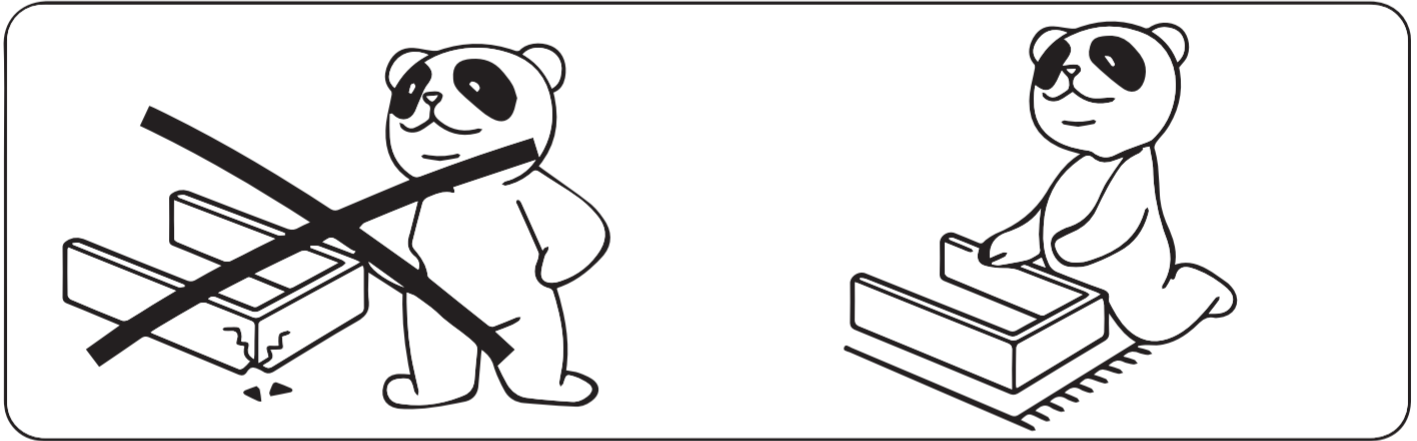
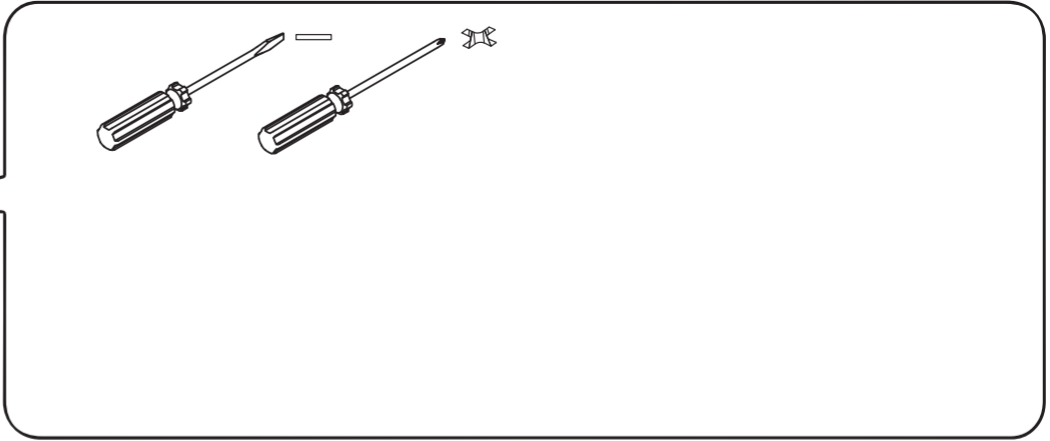
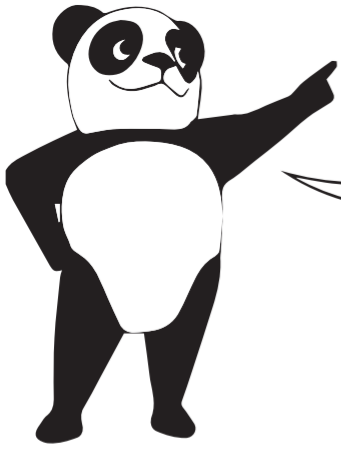
***YXFST001***

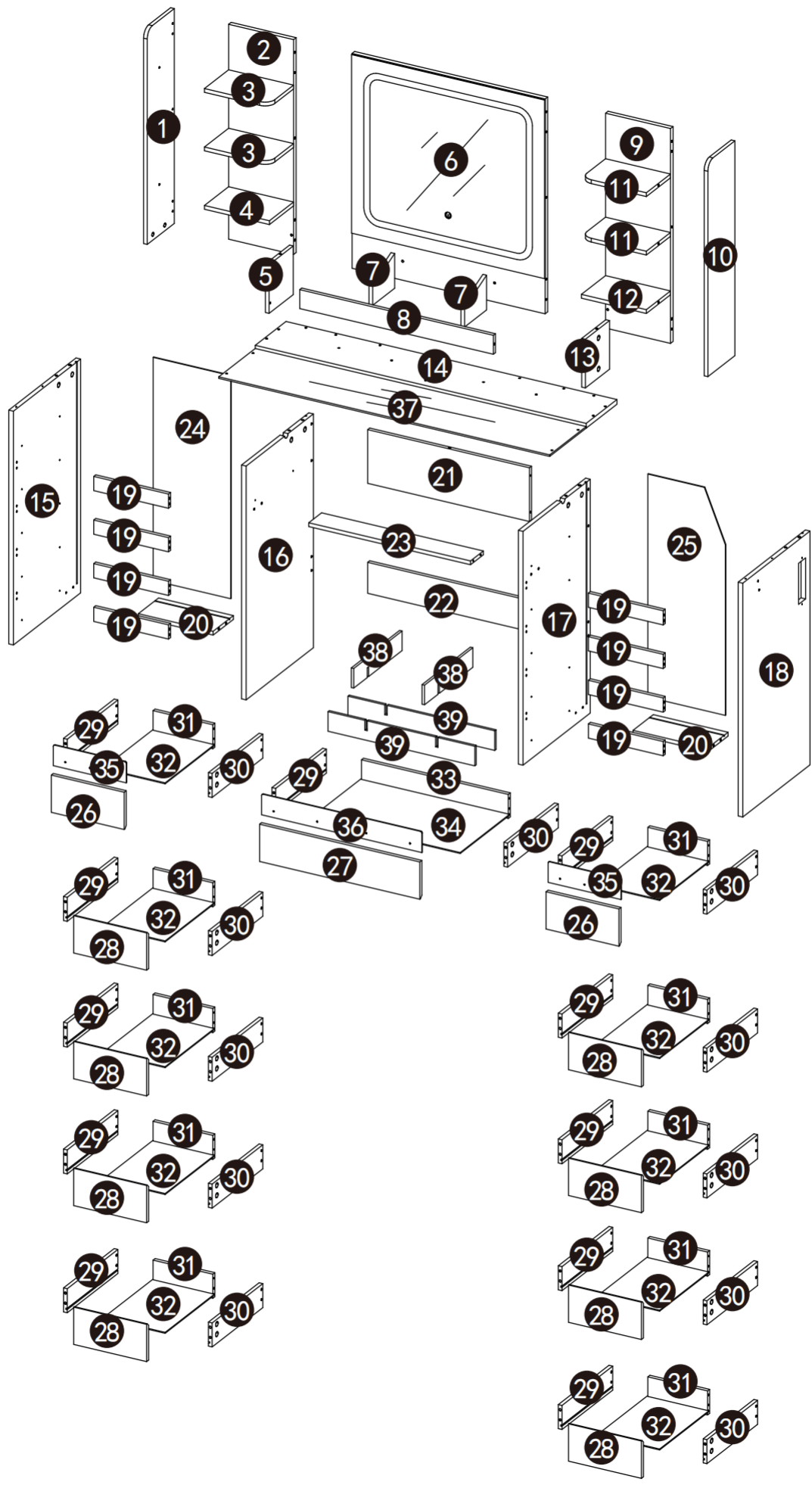
---

***Instruction Manual***

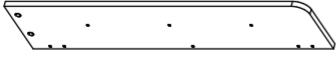

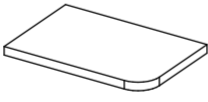
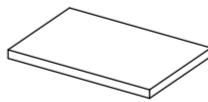
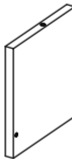
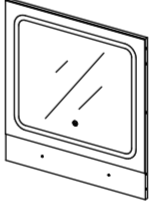
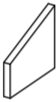
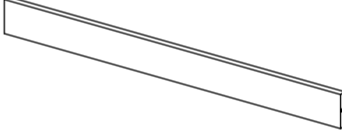


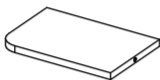
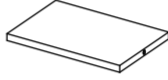
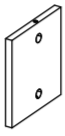
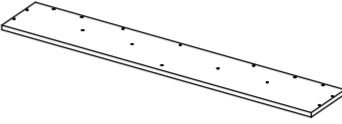
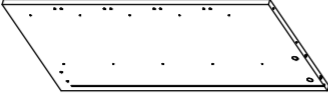

---

Thanks a lot your support and purchasing.  
Please feel free to contact us if you have any questions with assembly or need replacement parts.

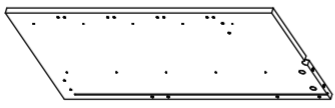
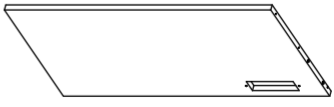


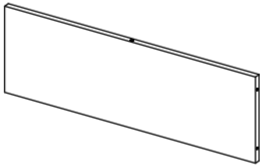
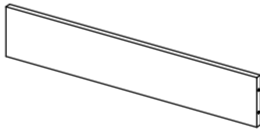



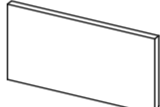
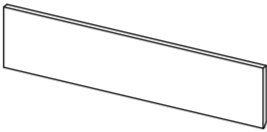

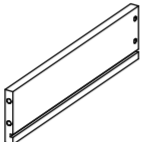
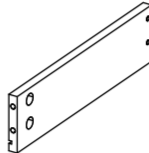
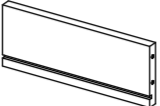
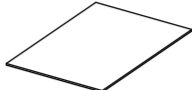





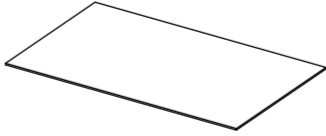
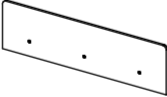
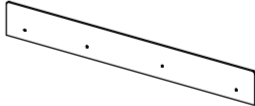
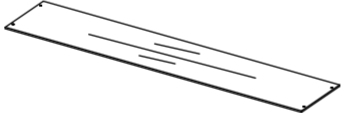
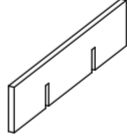

# PARTS LIST

Item no.	Reference Image	Qty.	Item no.	Reference Image	Qty.
<b>1</b>		x1	<b>2</b>		x1
<b>3</b>		x2	<b>4</b>		x1
<b>5</b>		x1	<b>6</b>		x1
<b>7</b>		x2	<b>8</b>		x1
<b>9</b>		x1	<b>10</b>		x1
<b>11</b>		x2	<b>12</b>		x1
<b>13</b>		x1	<b>14</b>		x1
<b>15</b>		x1	<b>16</b>		x1


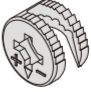
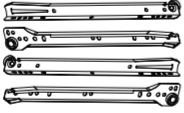
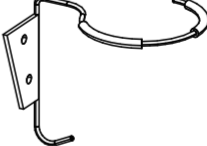
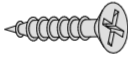
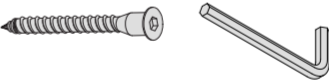





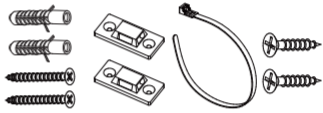
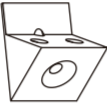
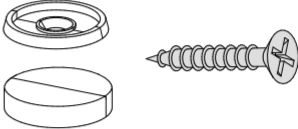




# PARTS LIST

Item no.	Reference Image	Qty.	Item no.	Reference Image	Qty.
<b>17</b>		x1	<b>18</b>		x1
<b>19</b>		x8	<b>20</b>		x2
<b>21</b>		x1	<b>22</b>		x1
<b>23</b>		x1	<b>24</b>		x1
<b>25</b>		x1	<b>26</b>		x2
<b>27</b>		x1	<b>28</b>		x8
<b>29</b>		x11	<b>30</b>		x11
<b>31</b>		x10	<b>32</b>		x10

# PARTS LIST

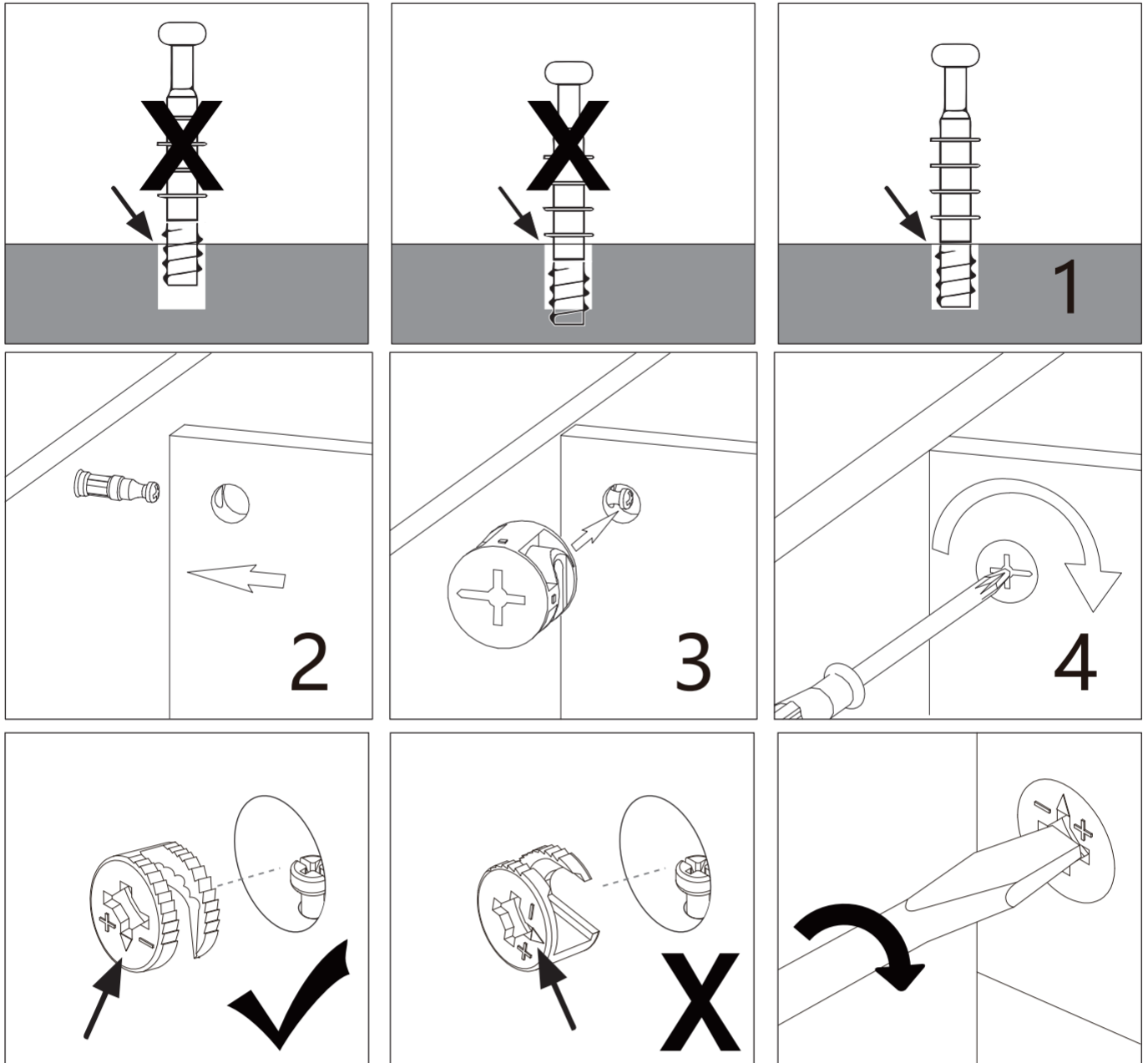
Item no.	Reference Image	Qty.	Item no.	Reference Image	Qty.
<b>33</b>		x1	<b>34</b>		x1
<b>35</b>		x2	<b>36</b>		x1
<b>37</b>		x1	<b>38</b>		x2
<b>39</b>		x2			

# HARDWARE LIST

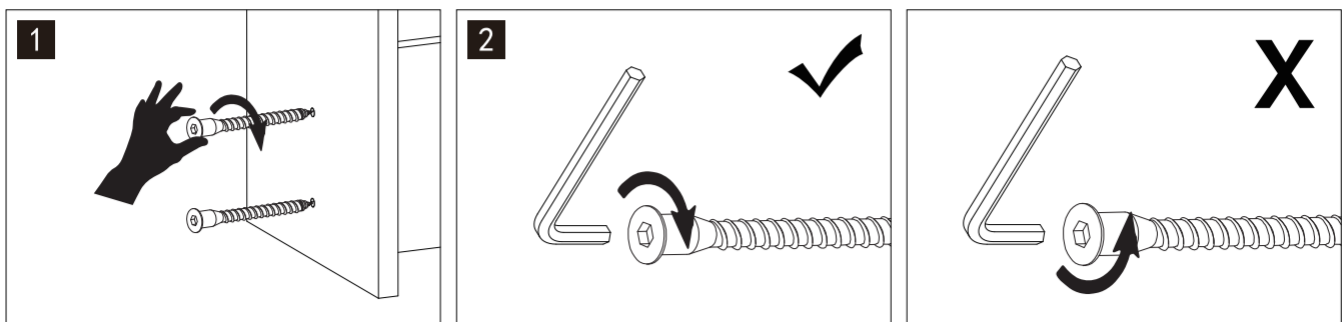
Item no.	Reference Image	Qty.	Item no.	Reference Image	Qty.
<b>A</b>	 6x35	x113	<b>B</b>	 12x9	x113
<b>C</b>	<b>C=CI+CR+DL+DR</b>  12inches	x11	<b>D</b>		x1
<b>E</b>	 M3x12	x102	<b>F</b>	 M5x40/#3	x66/x1
<b>G</b>	 φ12x5	x8	<b>H</b>		x1
<b>I</b>		x2	<b>L</b>		x10
<b>M</b>		x1	<b>N</b>		x2
<b>O</b>		x8	<b>P</b>		x4
<b>Q</b>		x26	<b>R</b>		x4
<b>S</b>		x1	<b>U</b>	 M4x12	x10

# Hardware installation indication

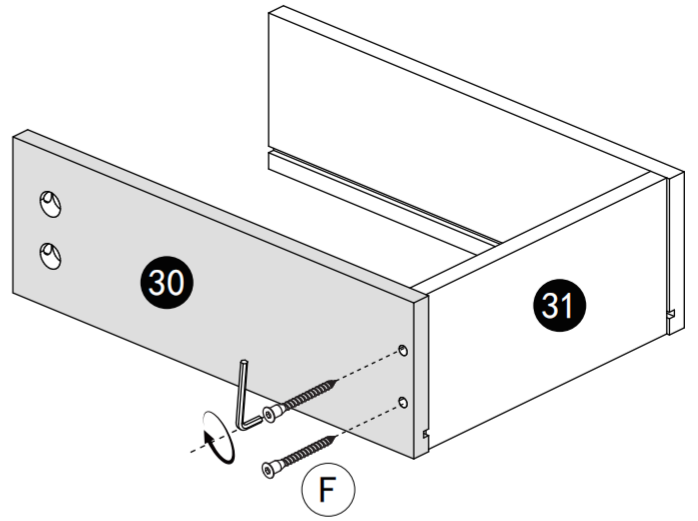
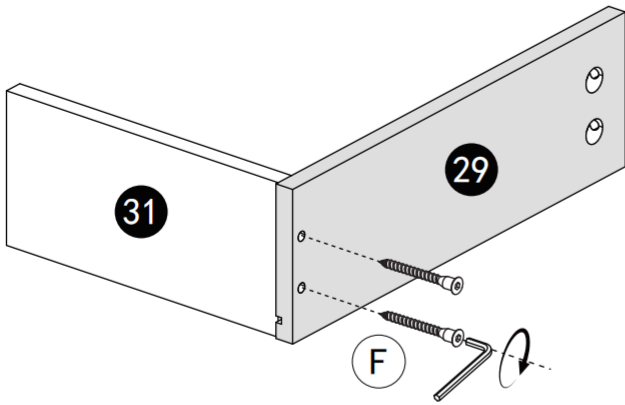
## Installation method of three in one rod and buckle



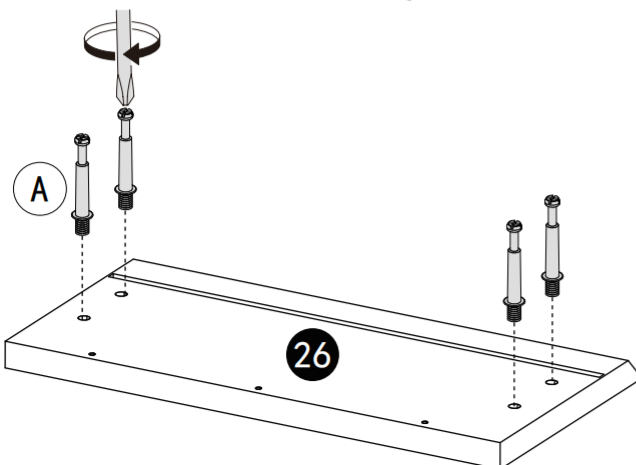
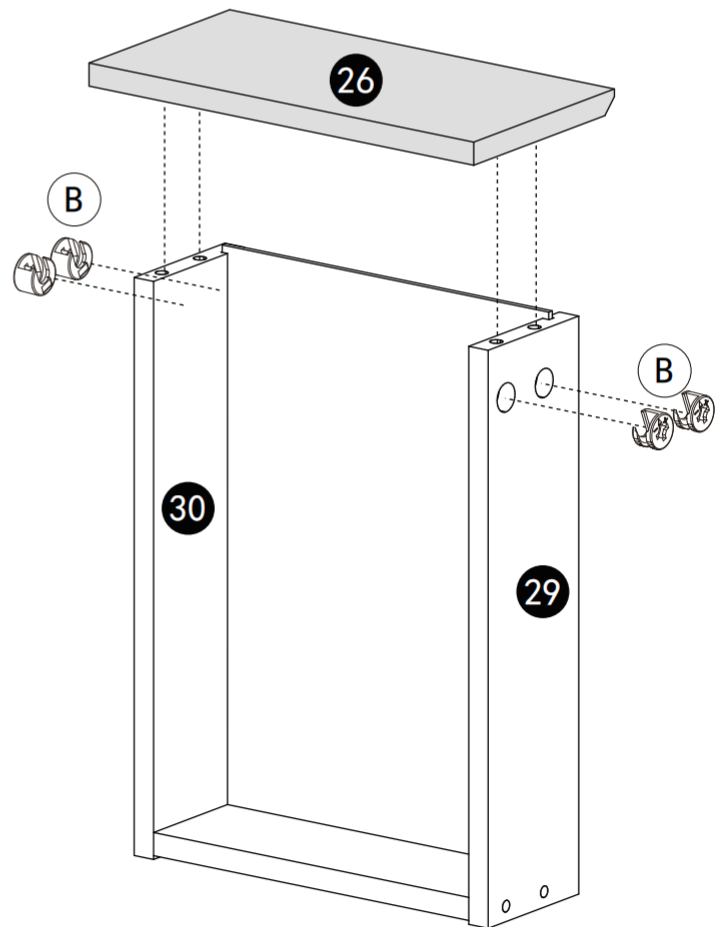
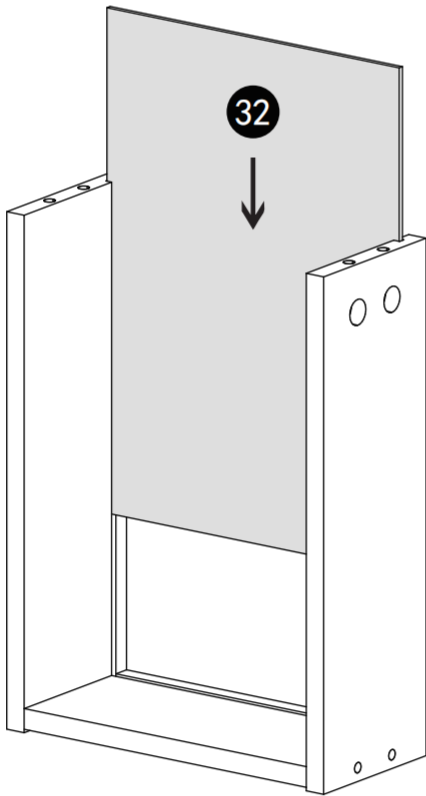
## Screw installation method






1



X2

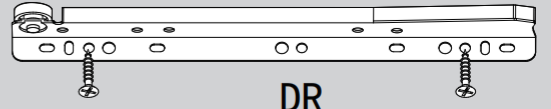


B		x8
A		x8
F		x8

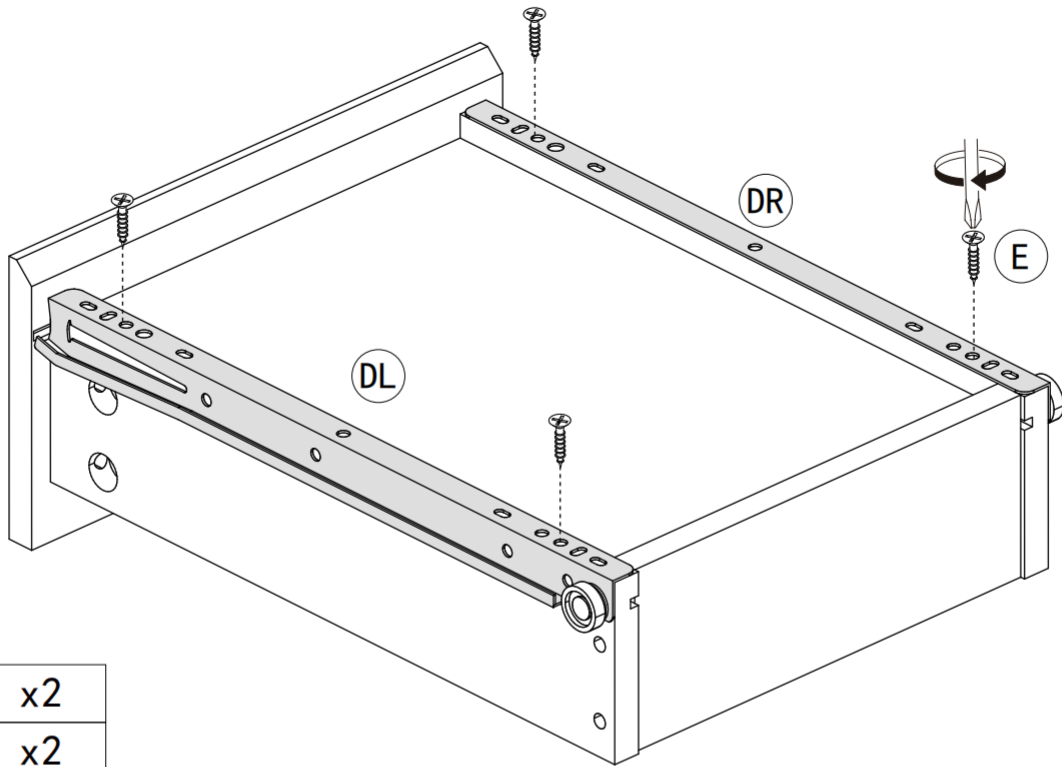
2



DL

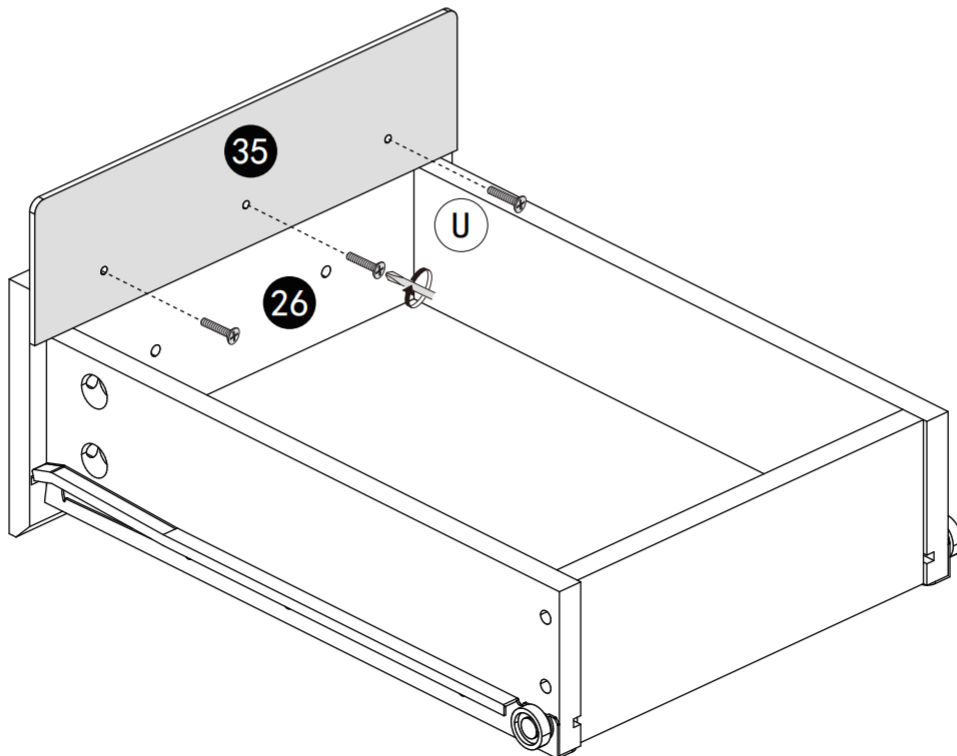


DR



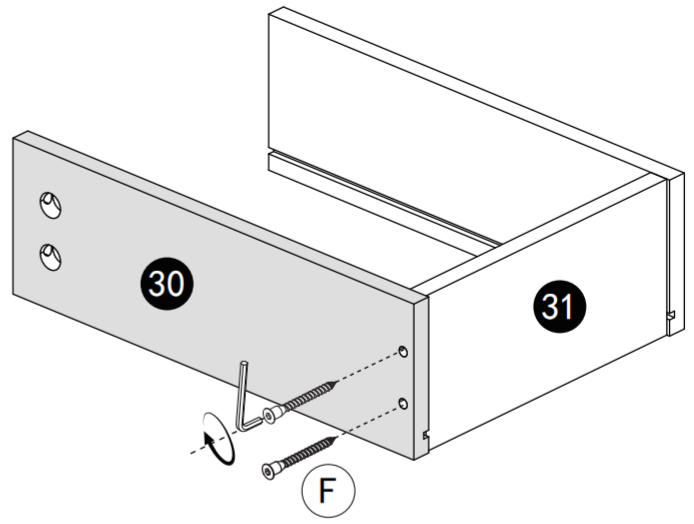
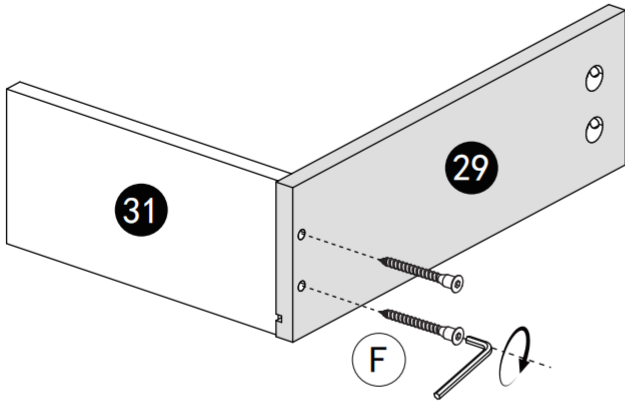
DL		x2
DR		x2
E		x8

X2

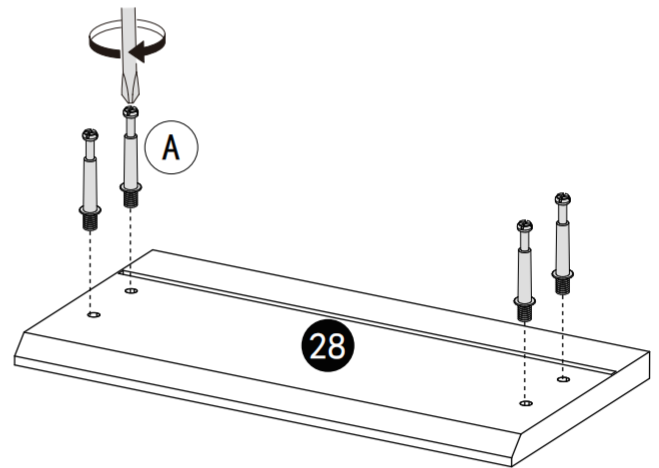
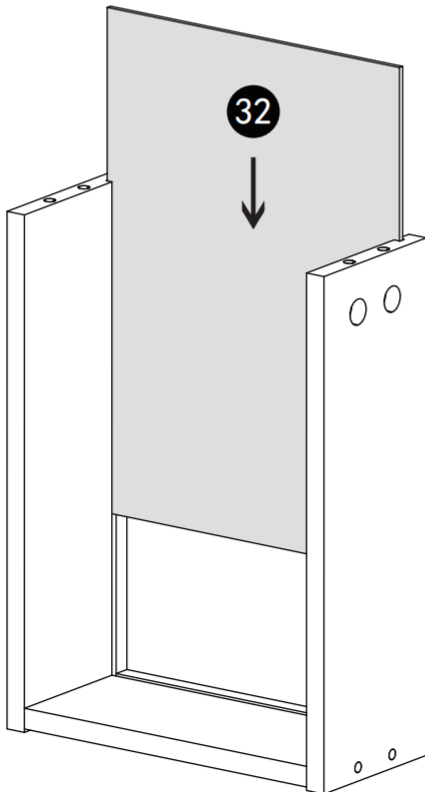




U		x6
---	--	----

3

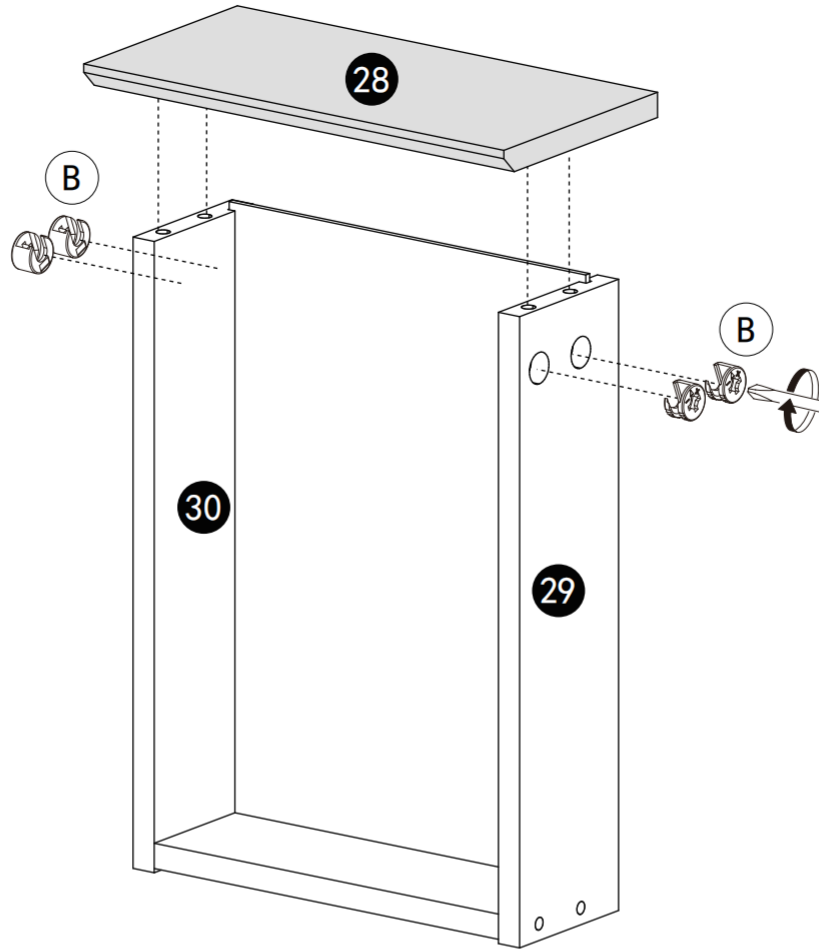


X8



A		x32
F		x32

4



B  x32

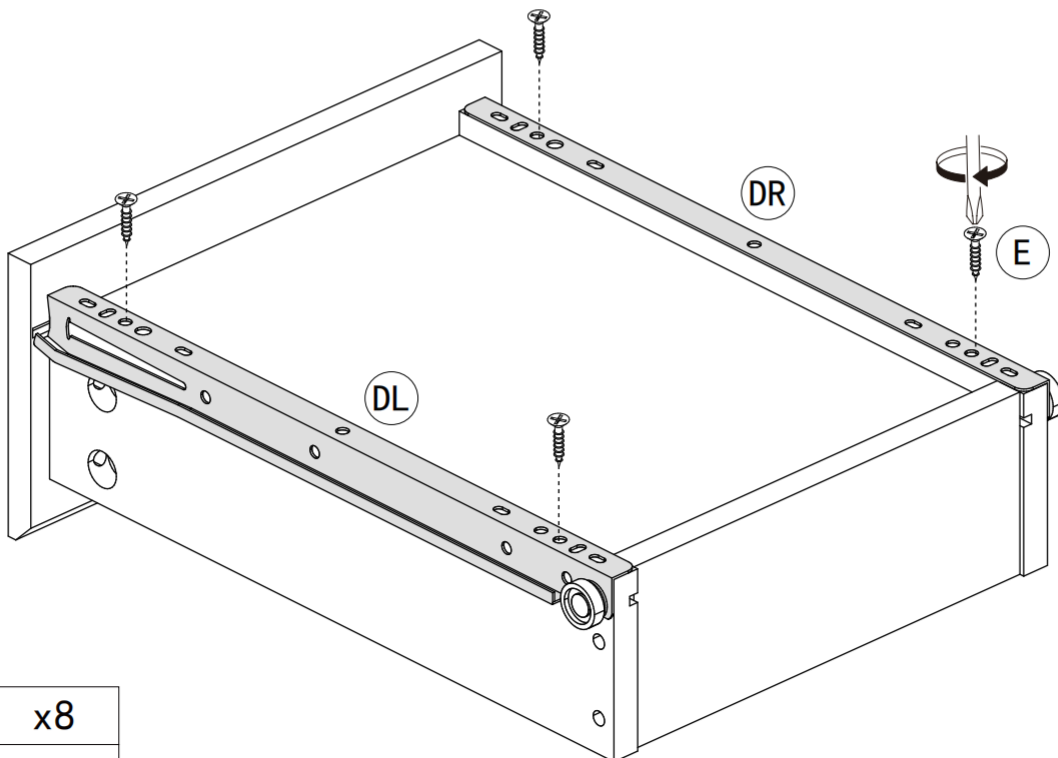
X8



DL






DR



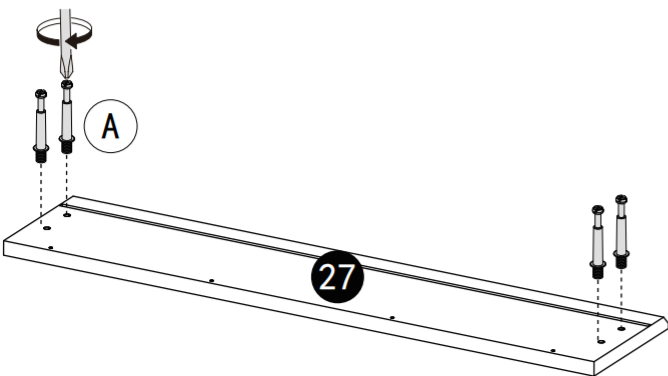
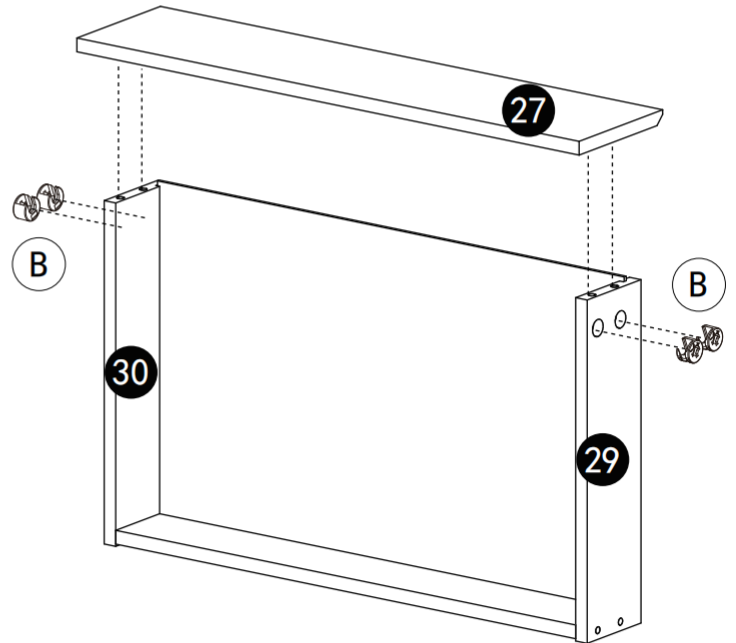
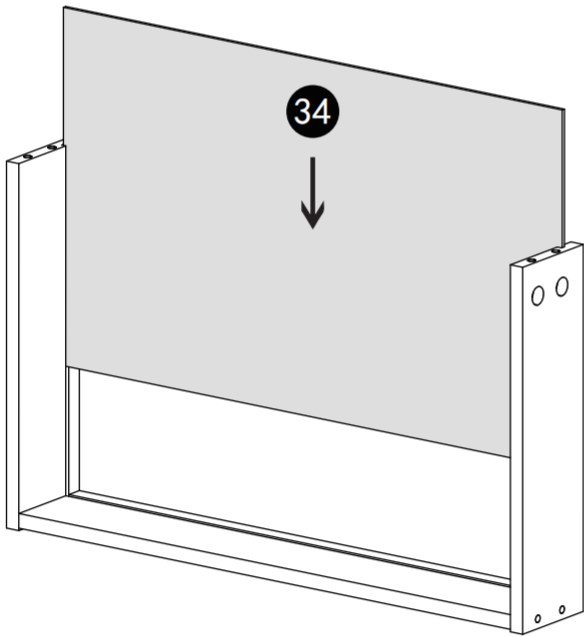
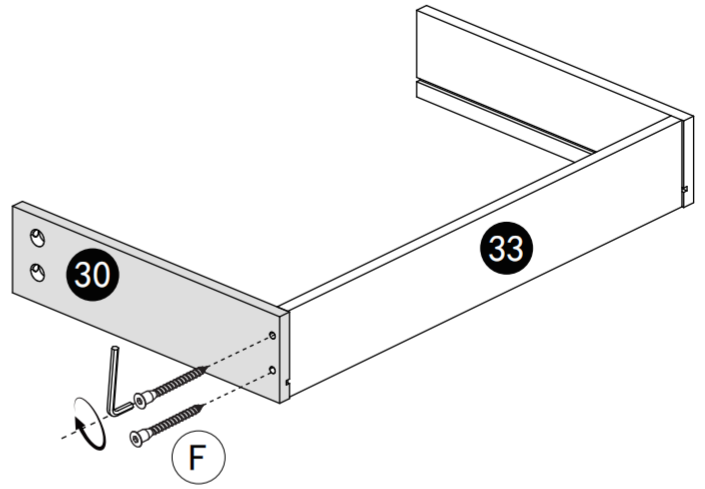
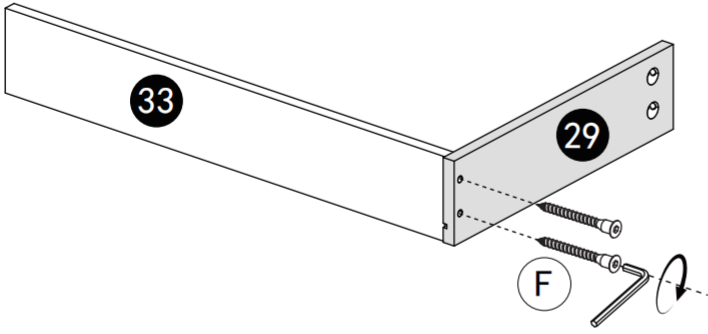
DL




DR

E

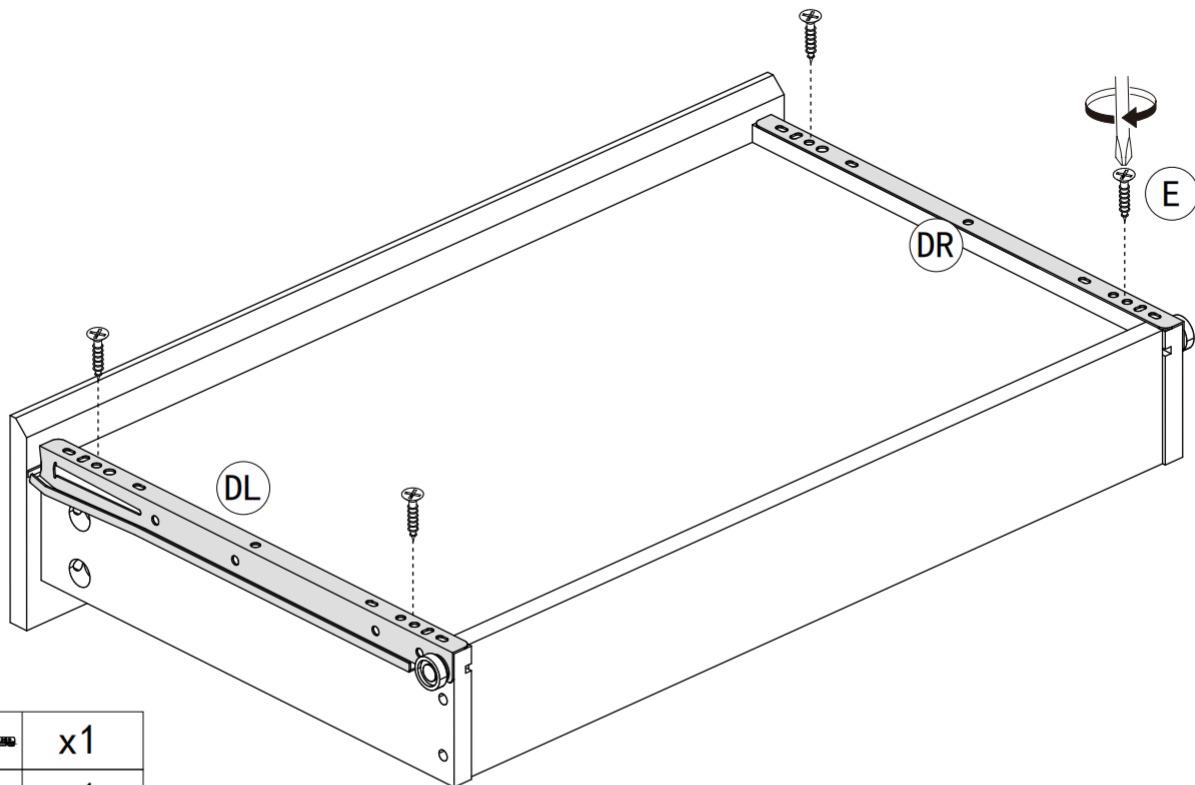
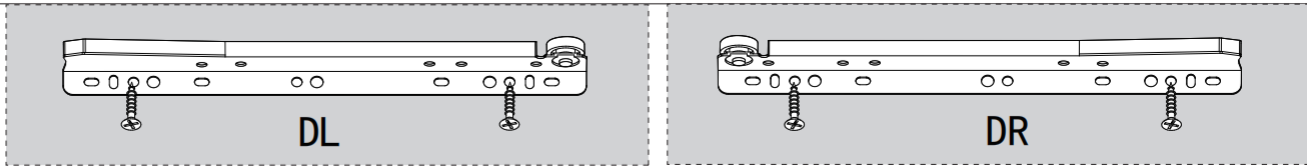
DL		x8
DR		x8
E		x32




5

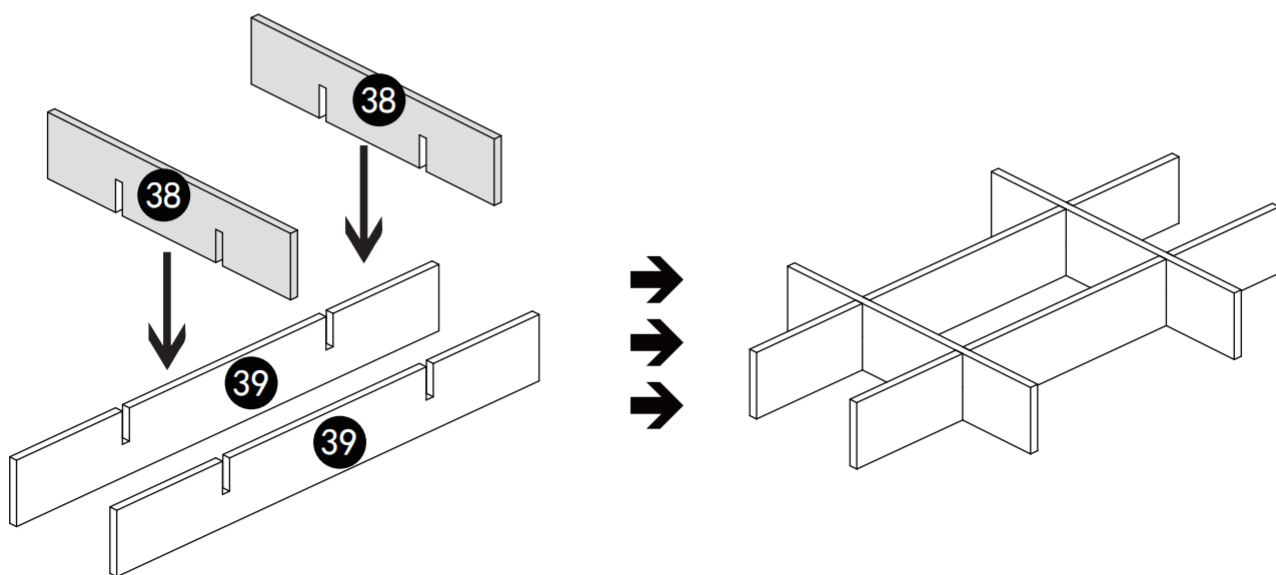


B		x4
A		x4
F		x4

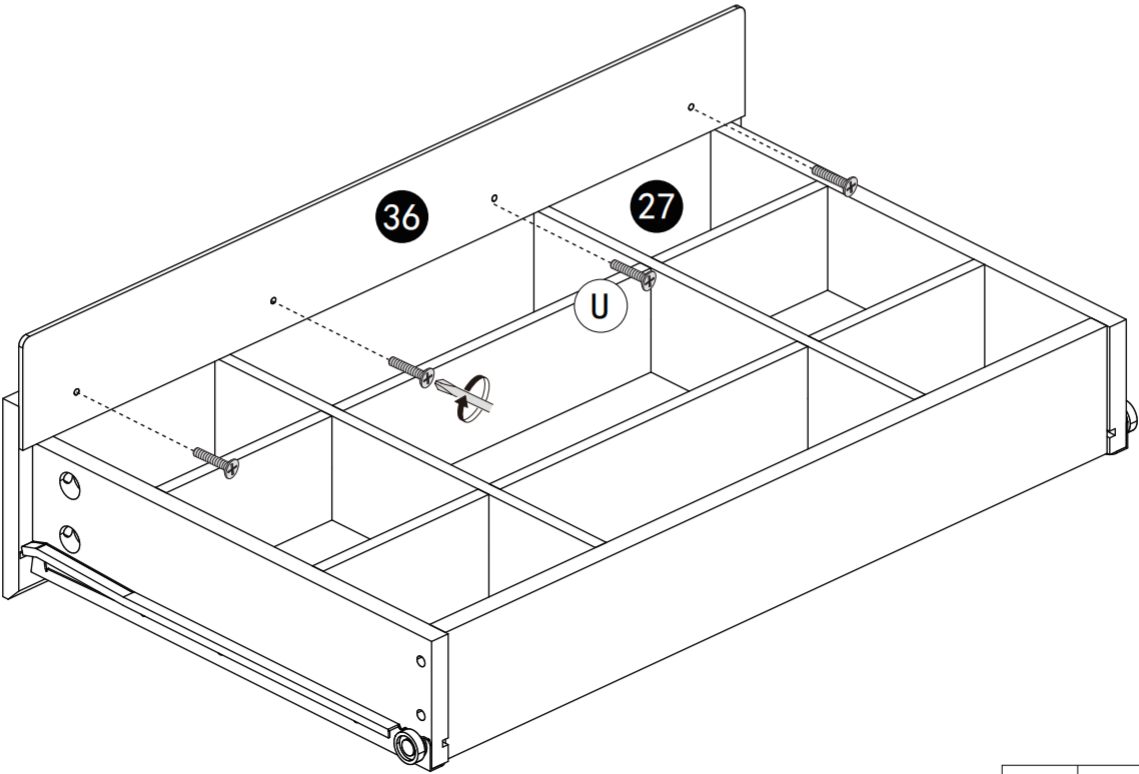
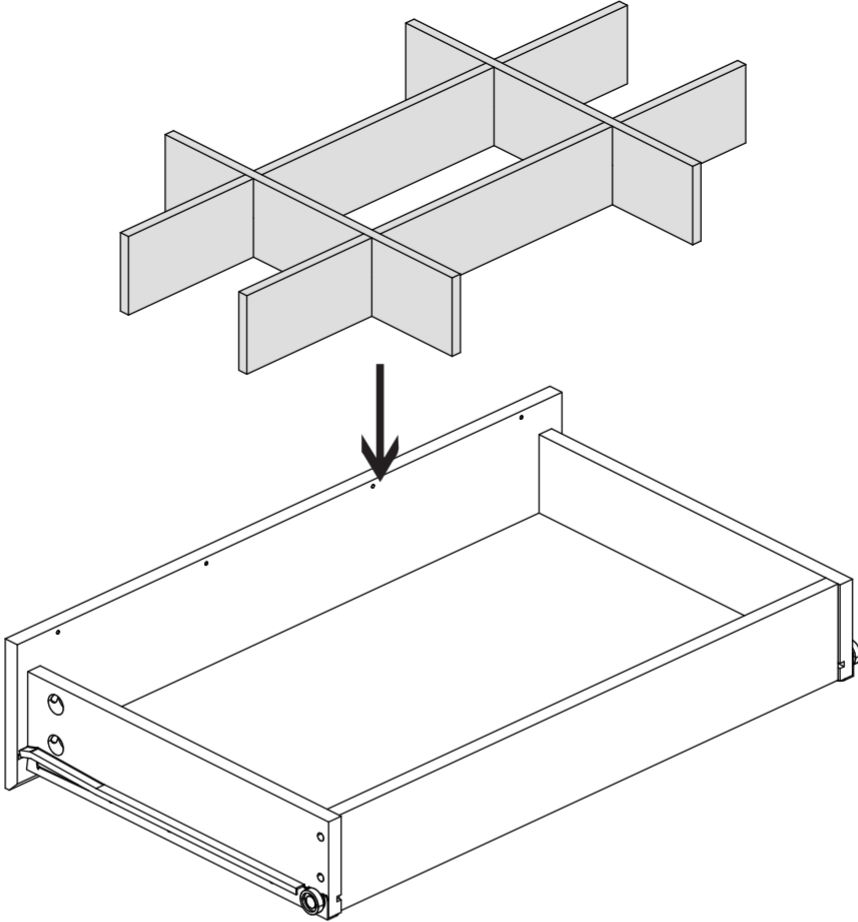
6



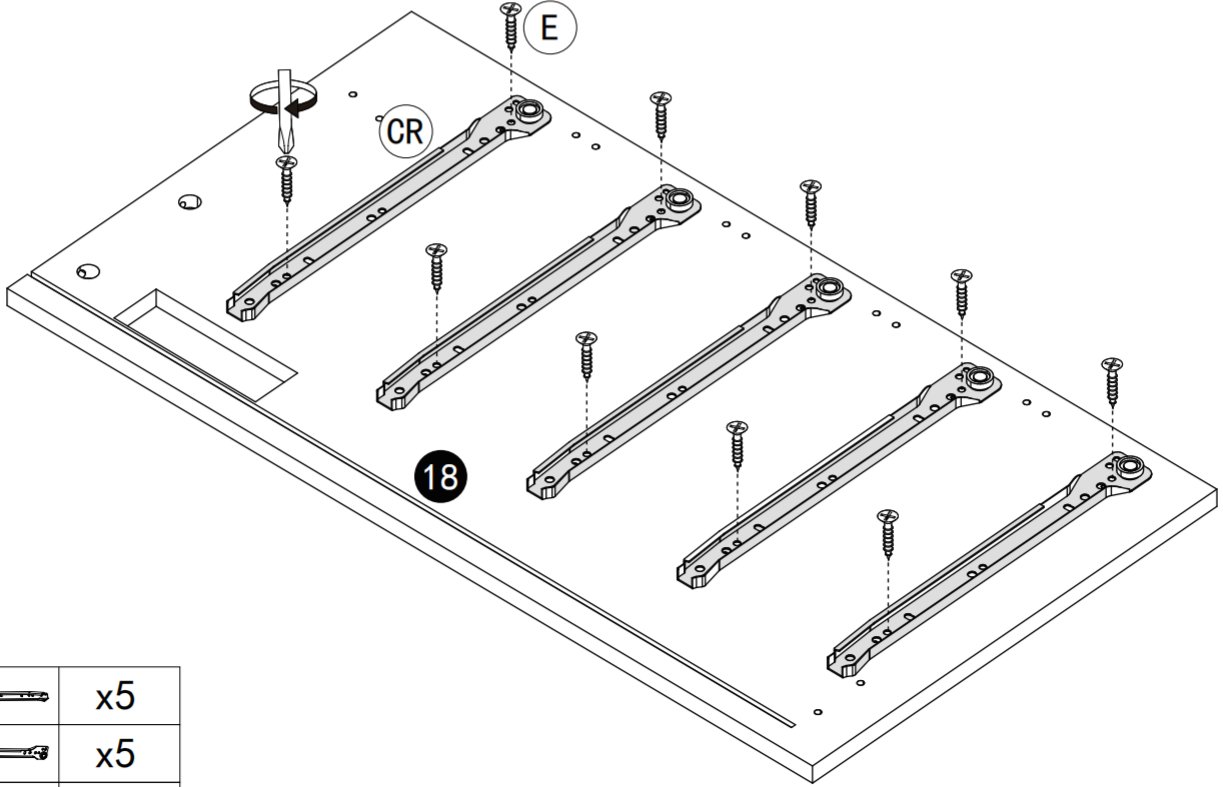
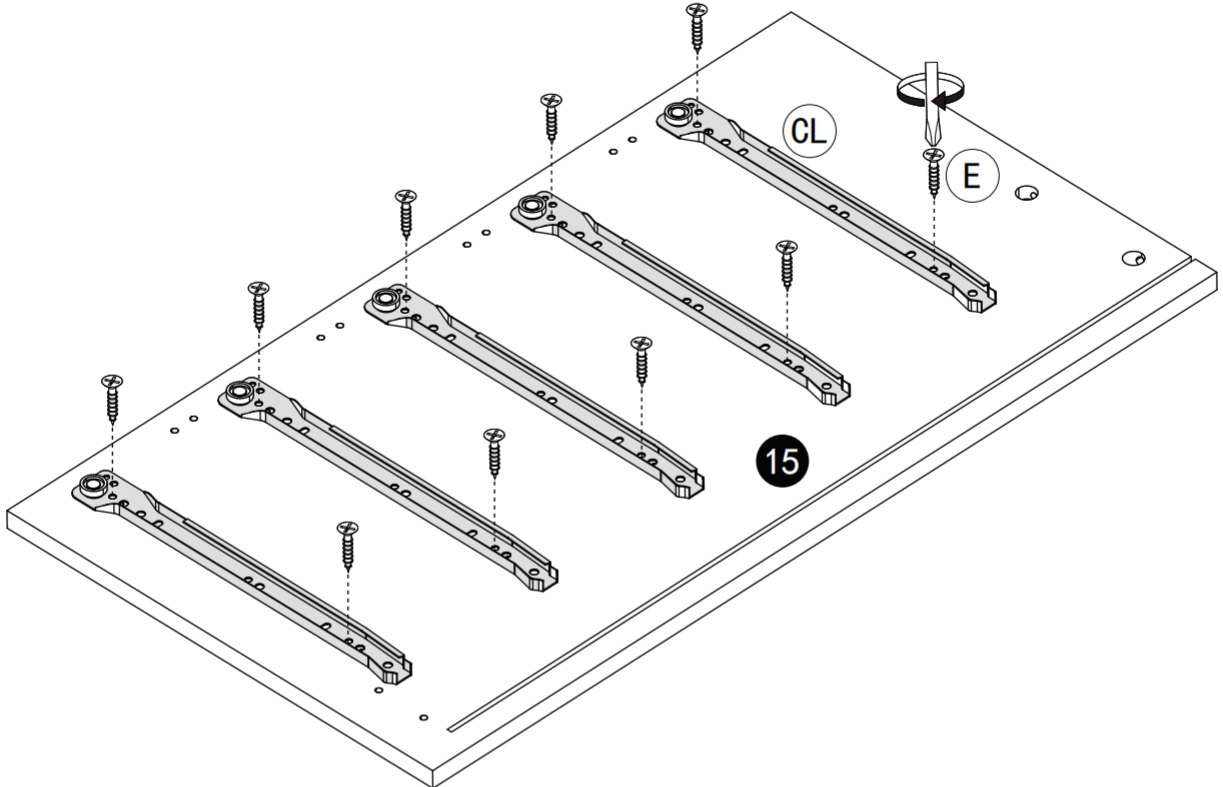
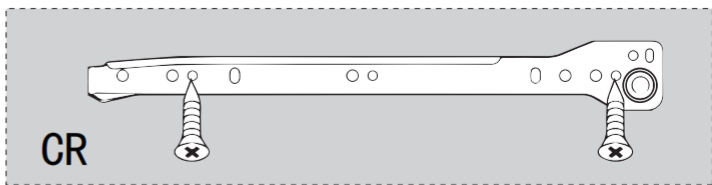
DL		x1
DR		x1
E		x4



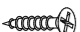


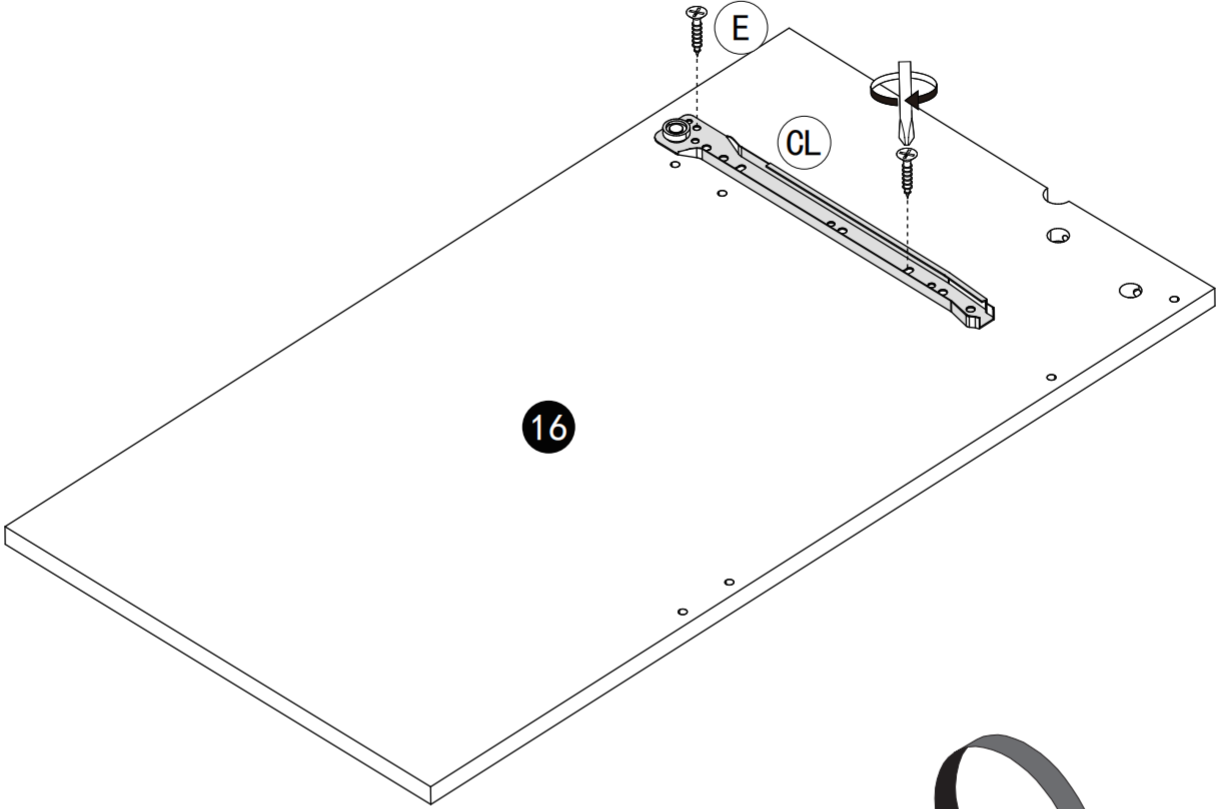
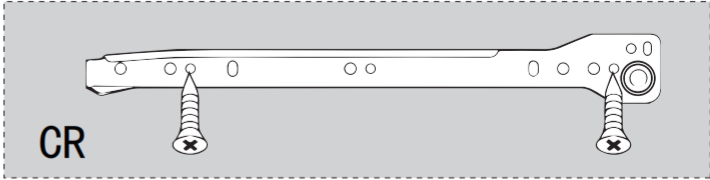
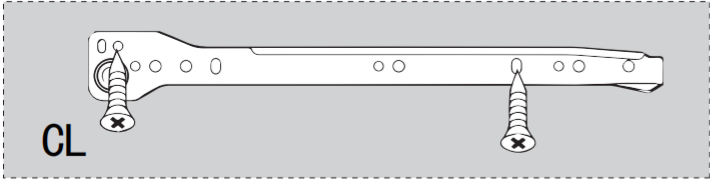
7



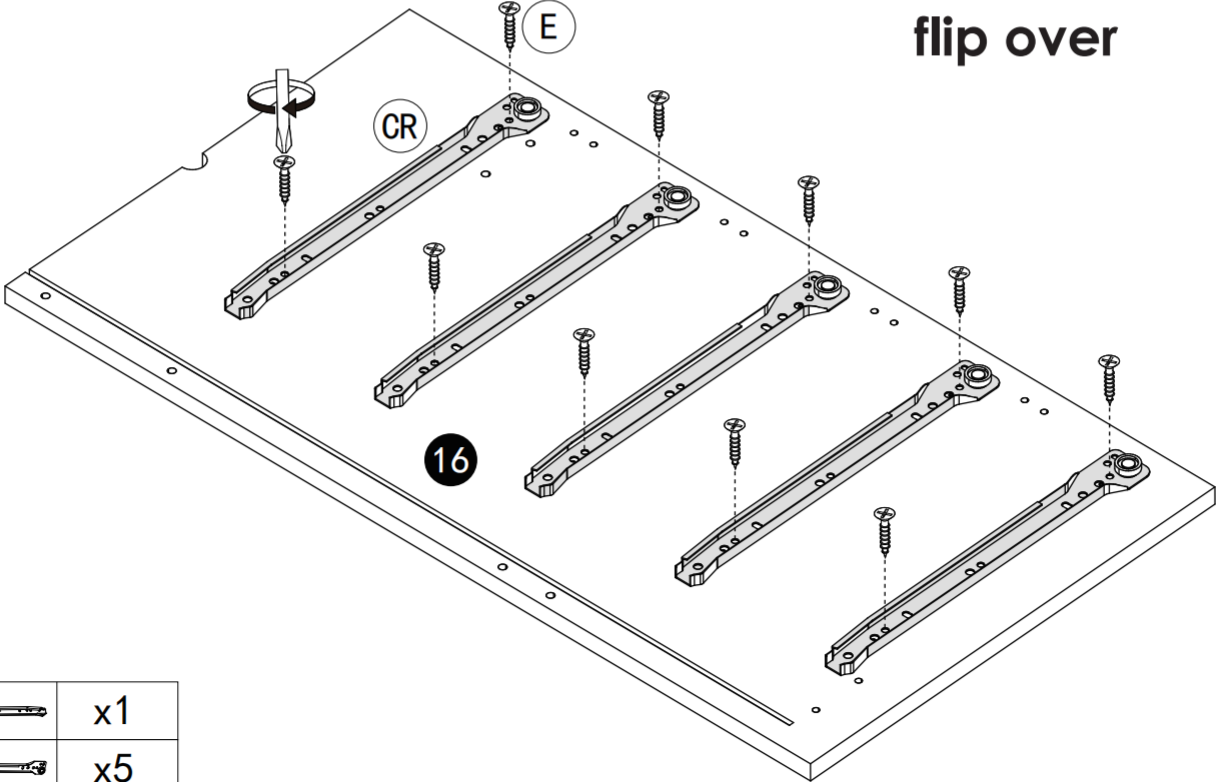
U		x4
---	---	----



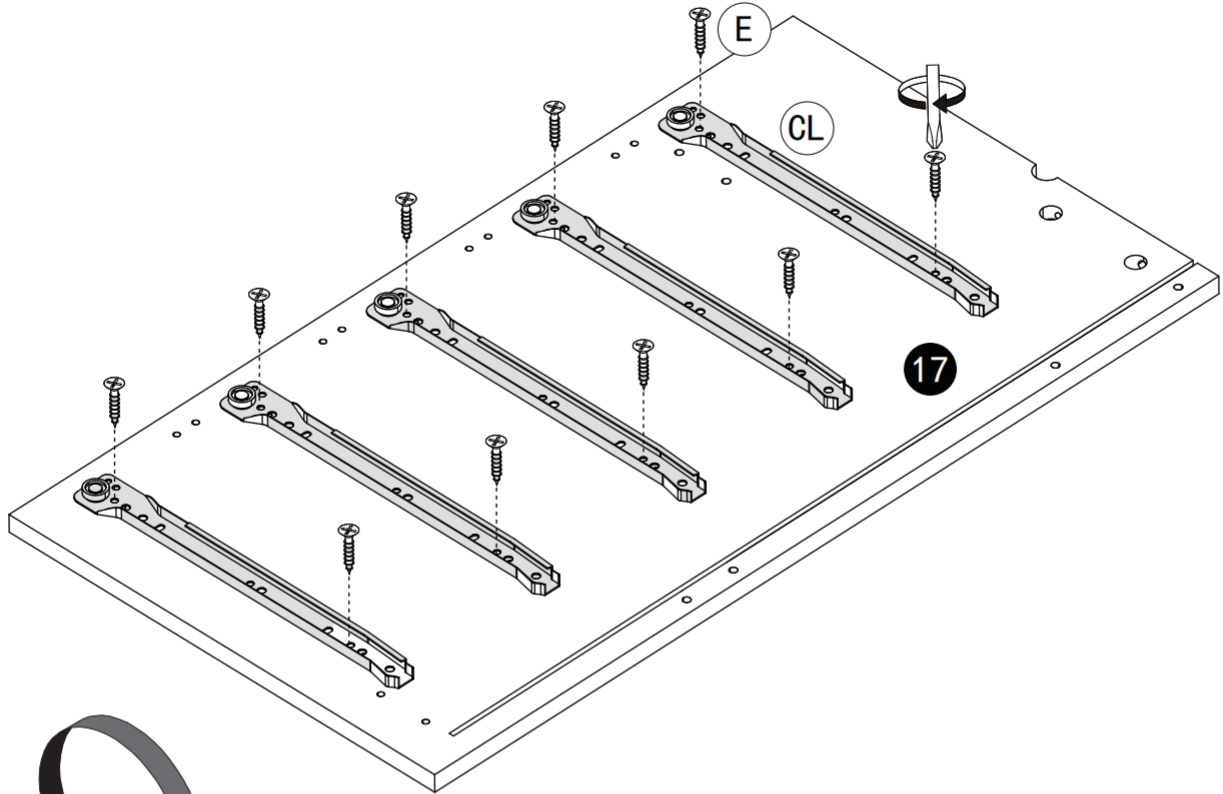
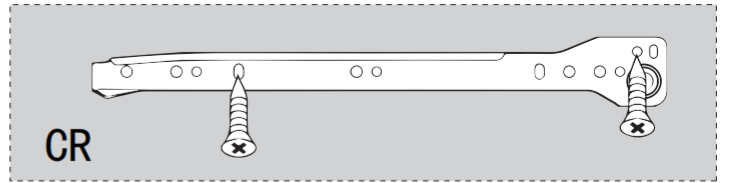
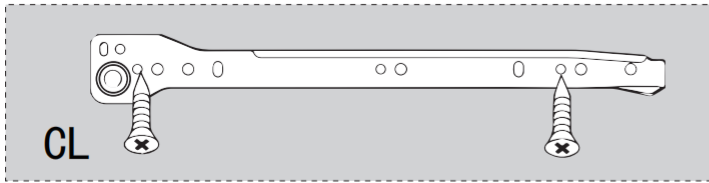
CL		x5
CR		x5
E		x20



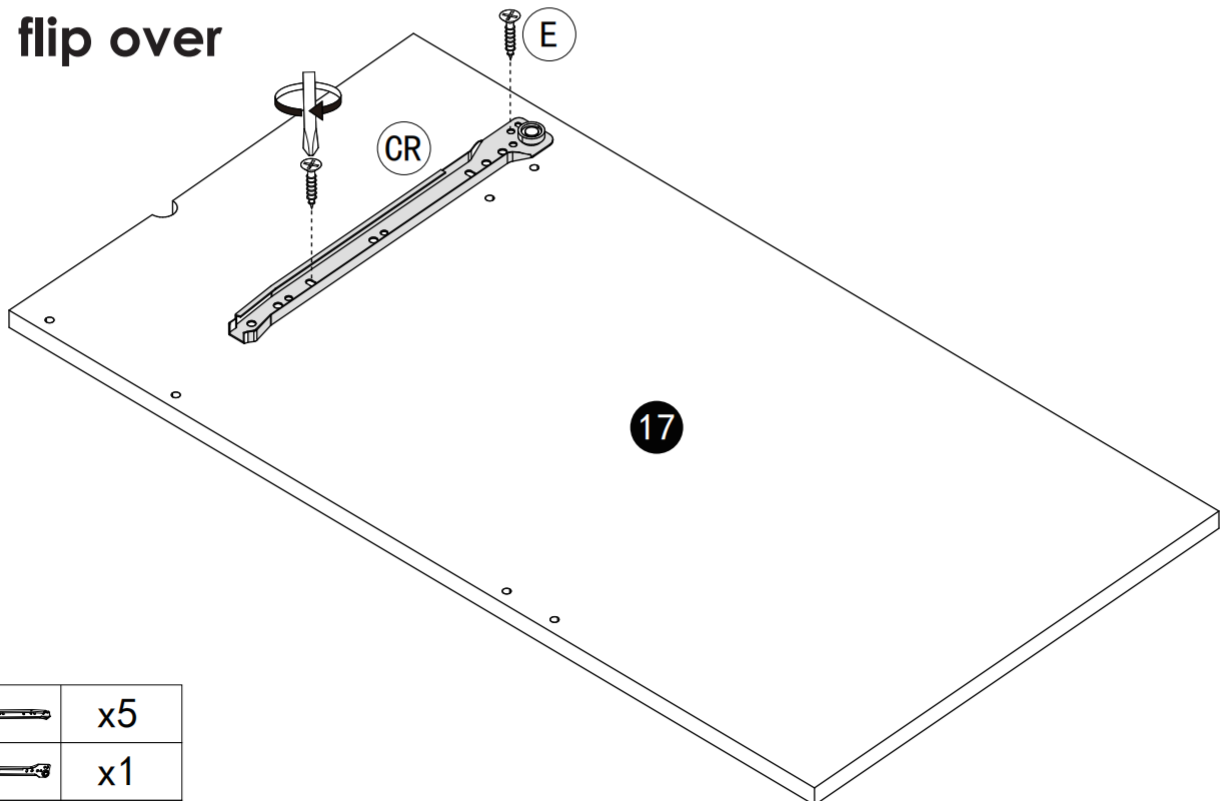
flip over



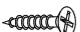


CL		x1
CR		x5
E		x12

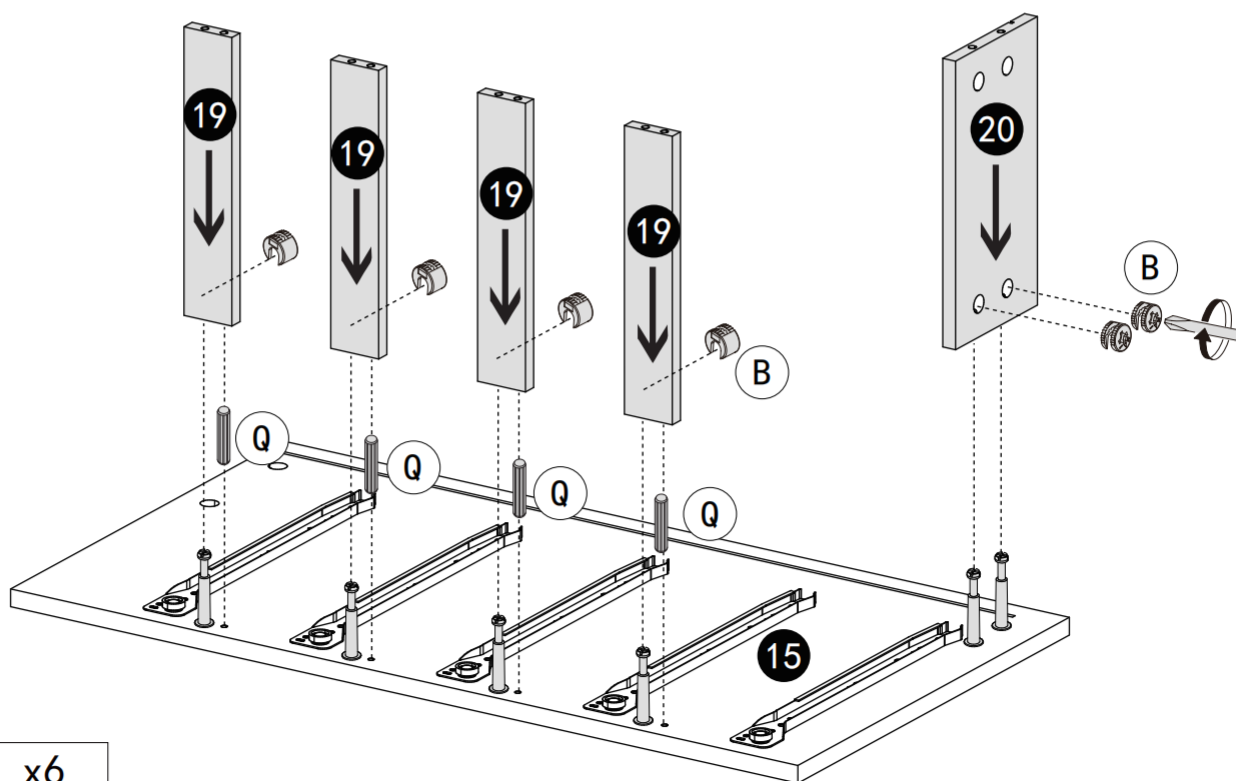
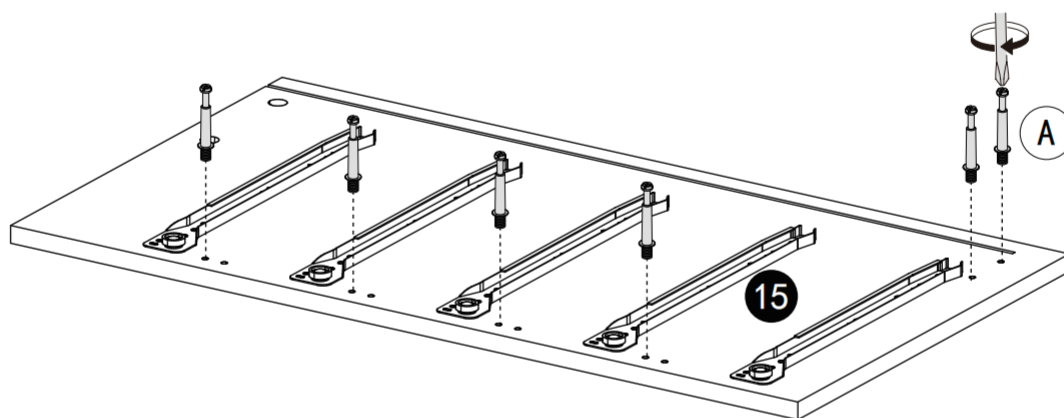
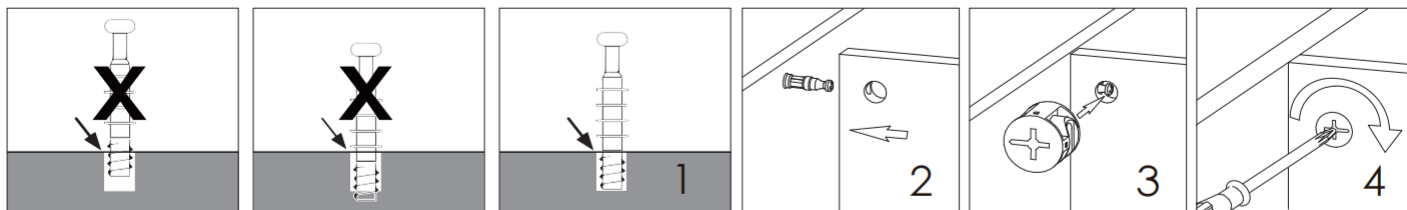
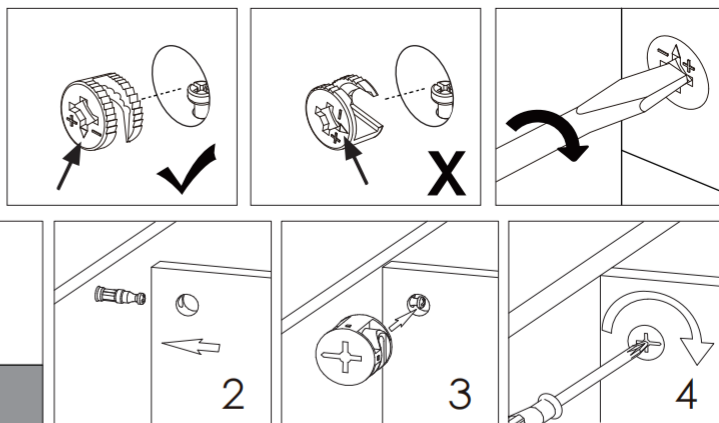





flip over

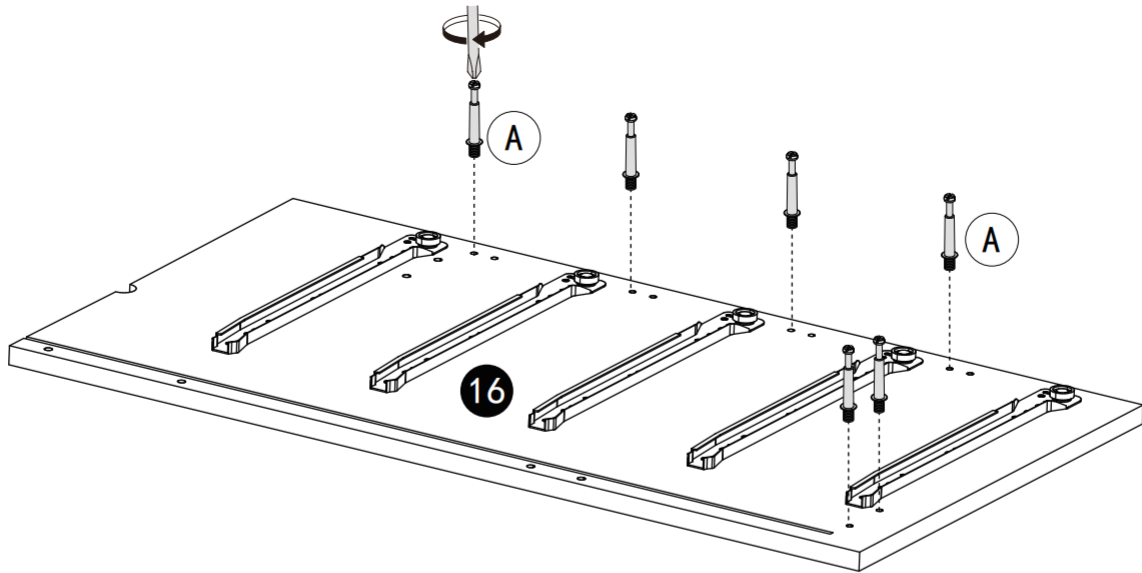


CL		x5
CR		x1
E		x12

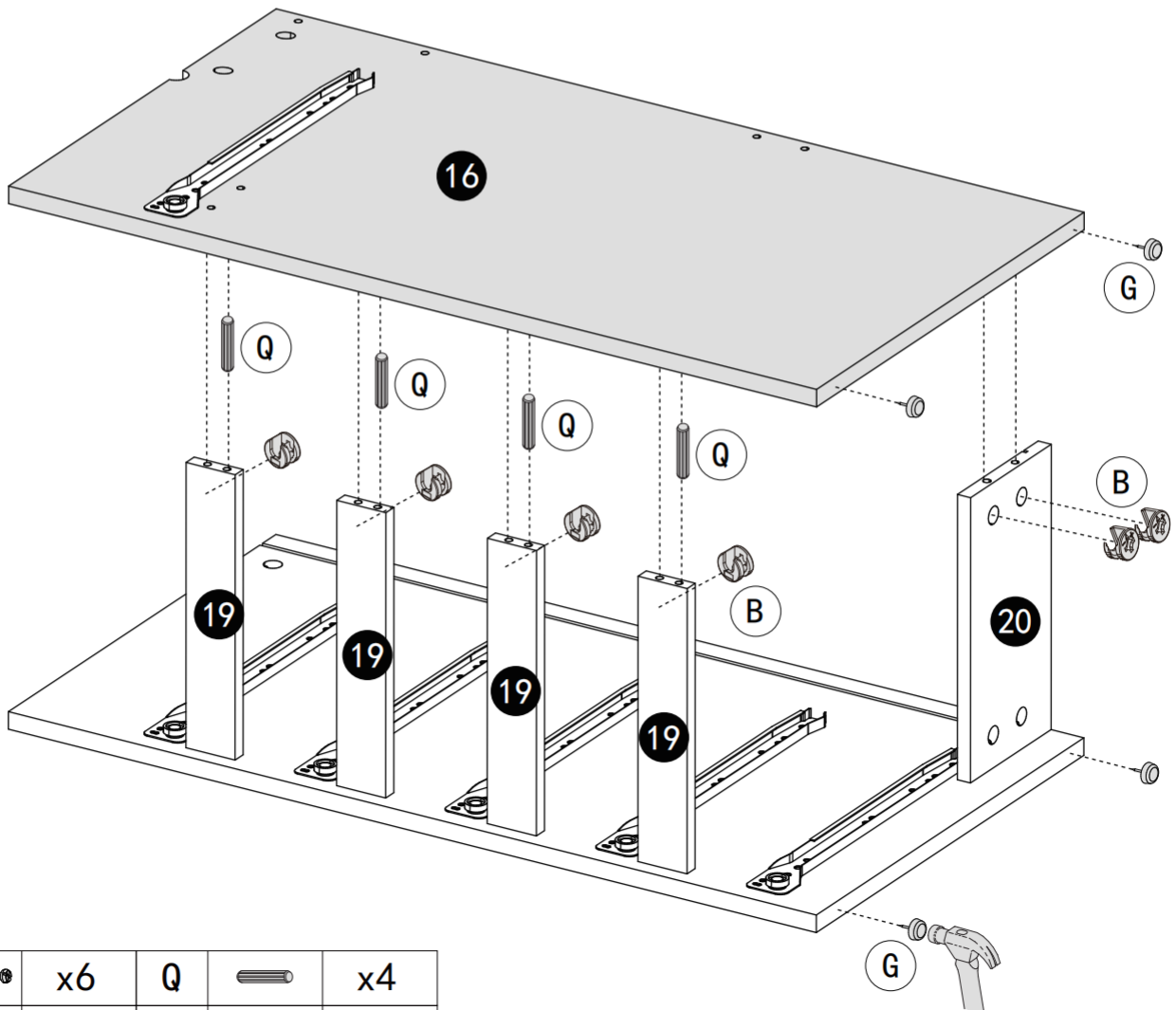
## Installation method of three in one rod and buckle



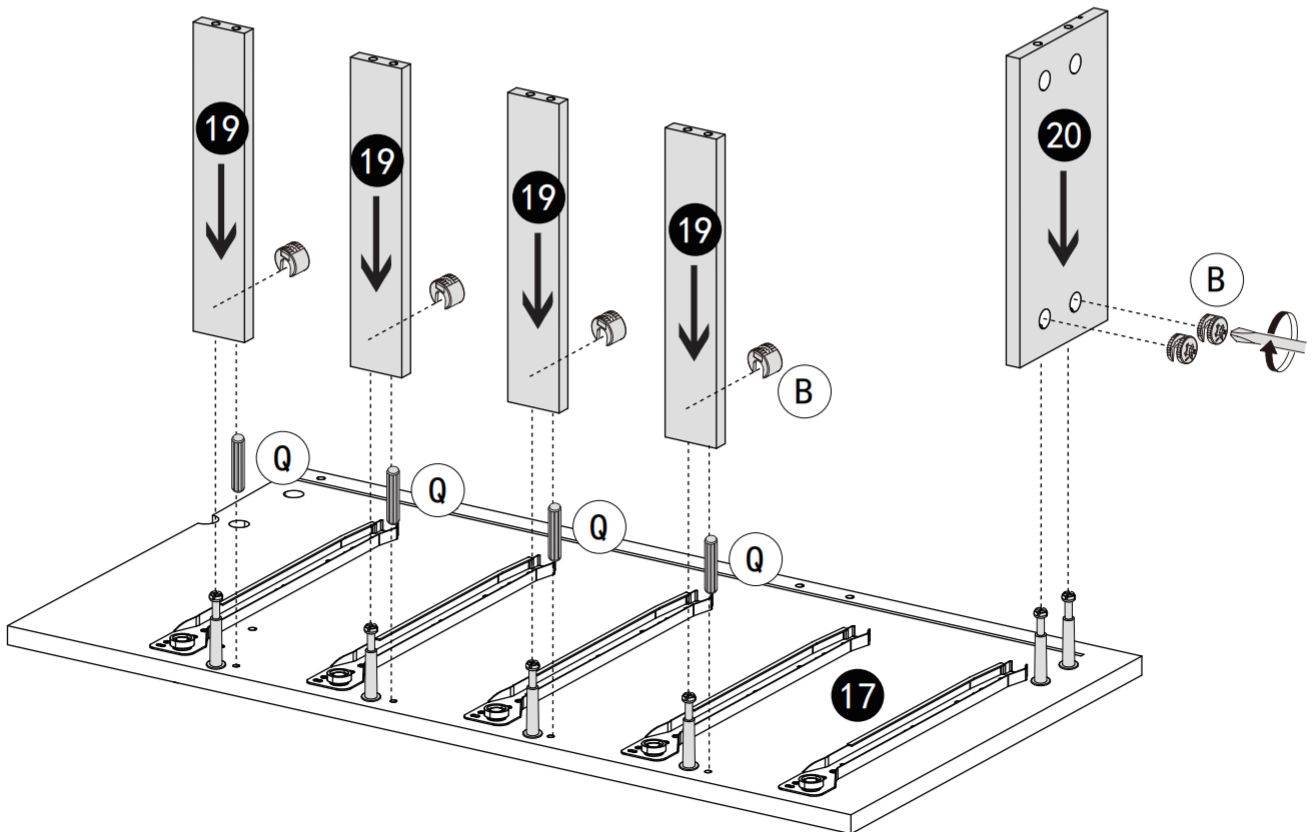
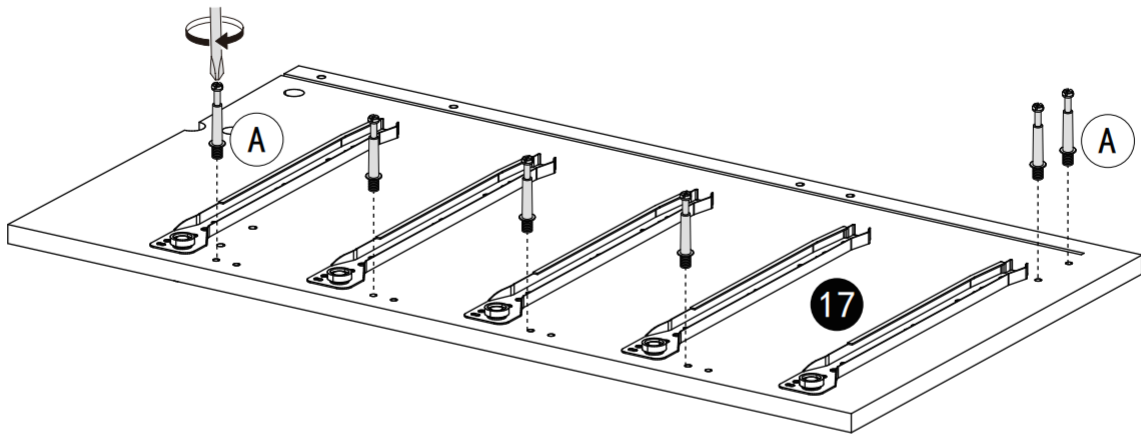
A		x6
B		x6
Q		x4






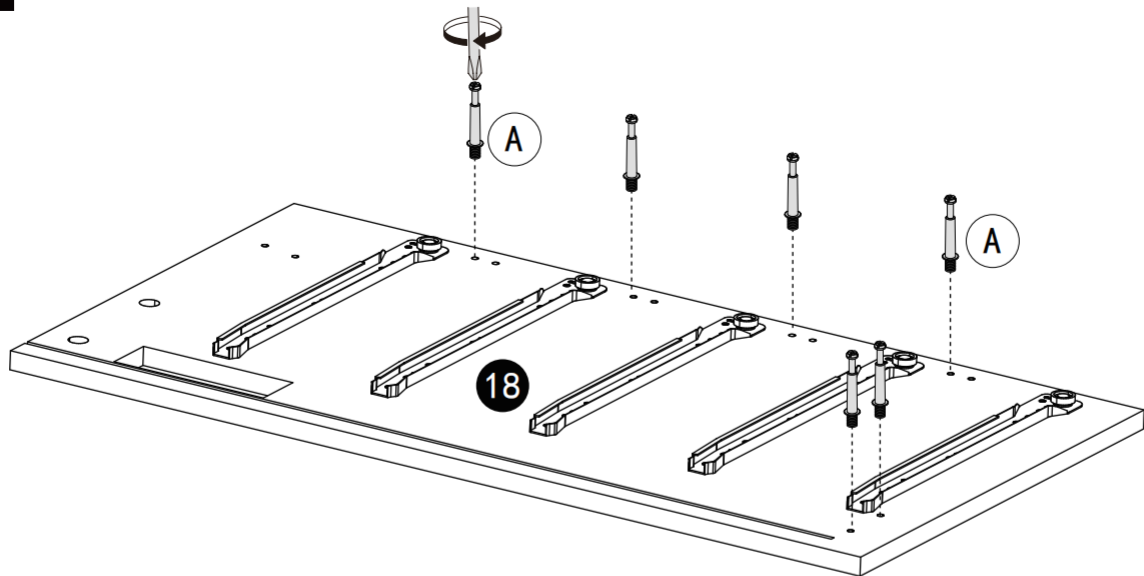
flip over



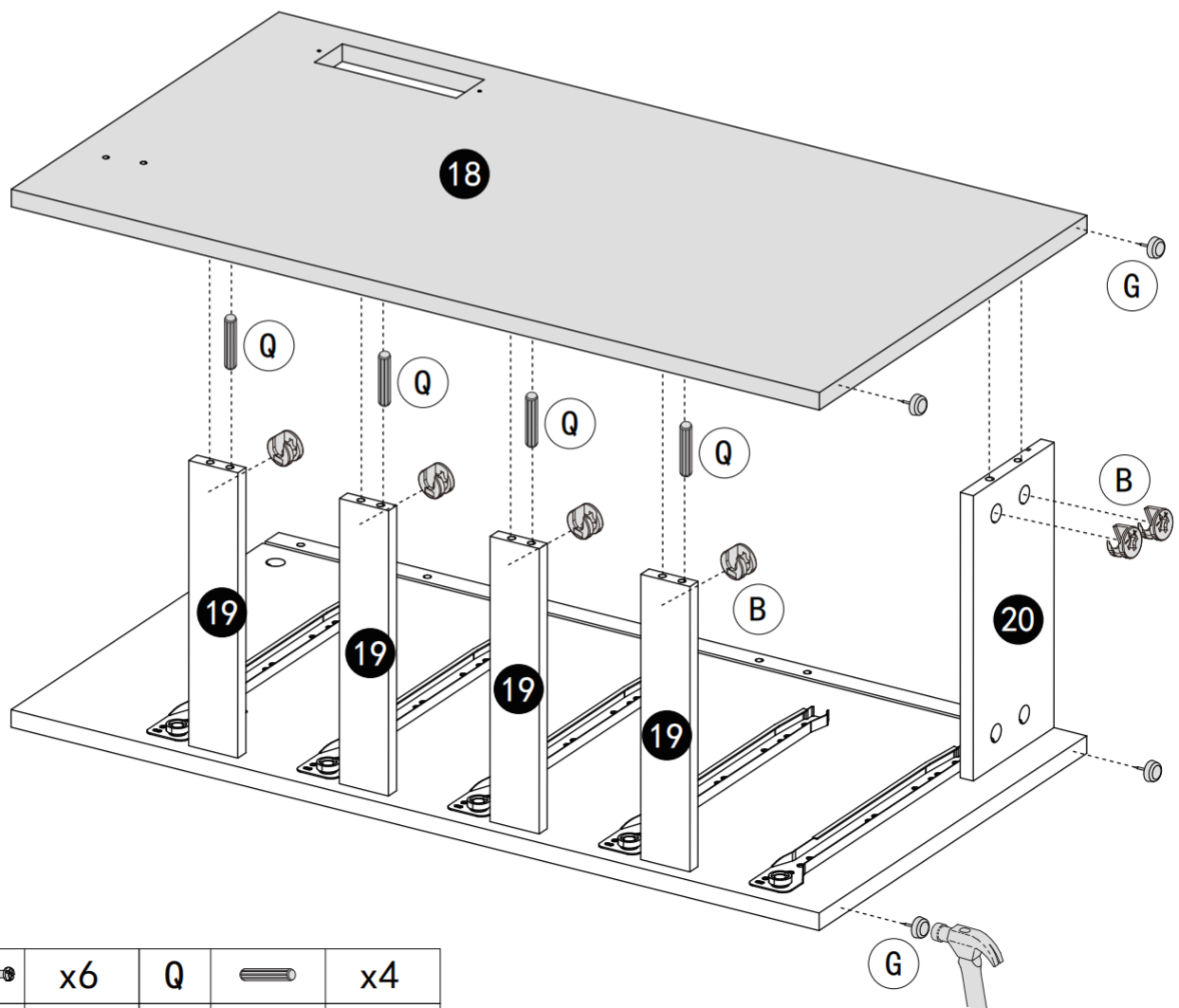
A		x6	Q		x4
B		x6	G		x4



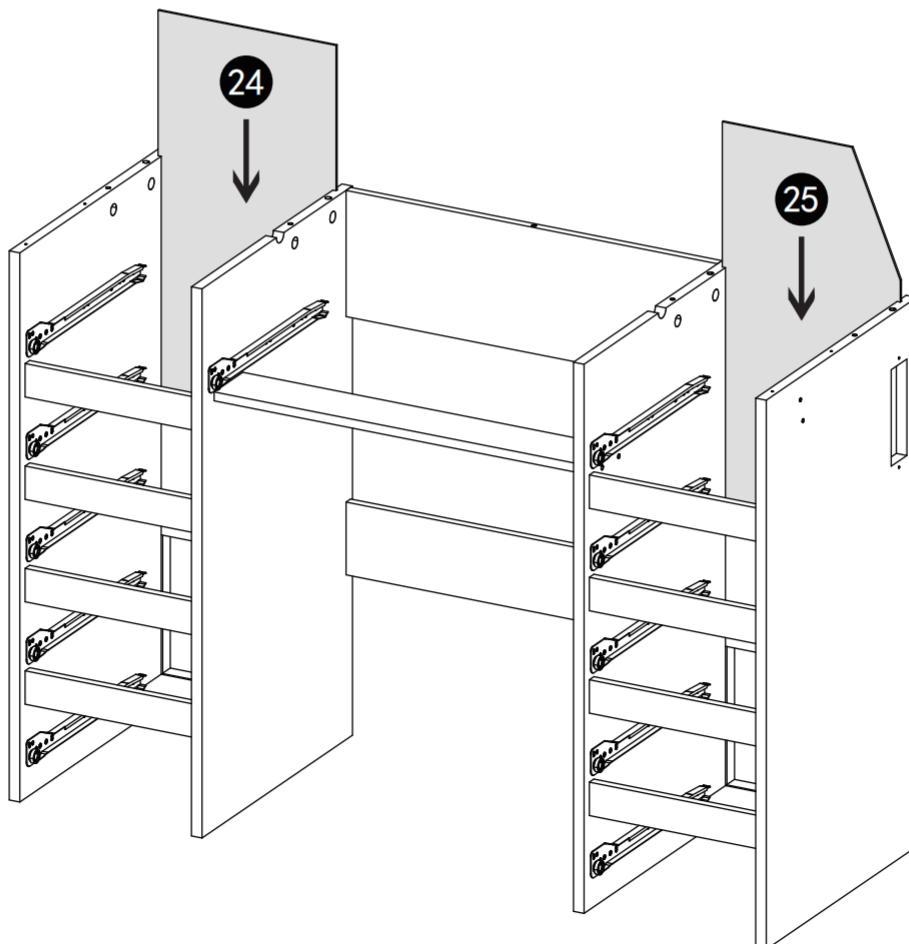
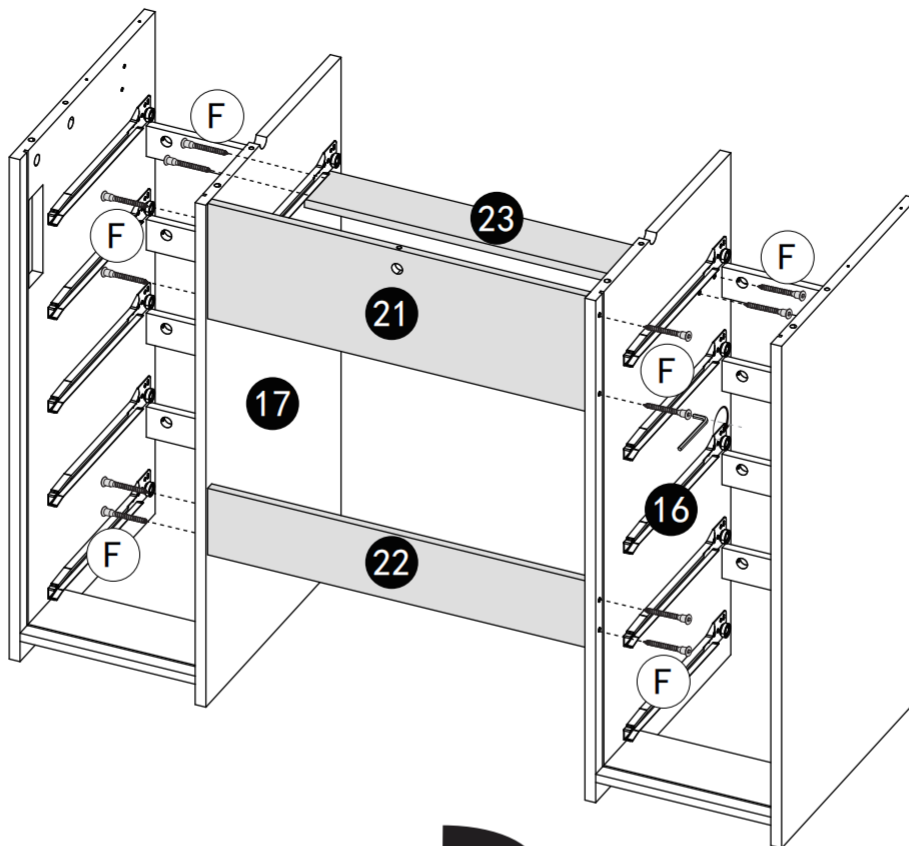
A		x6			
B		x6	Q		x4



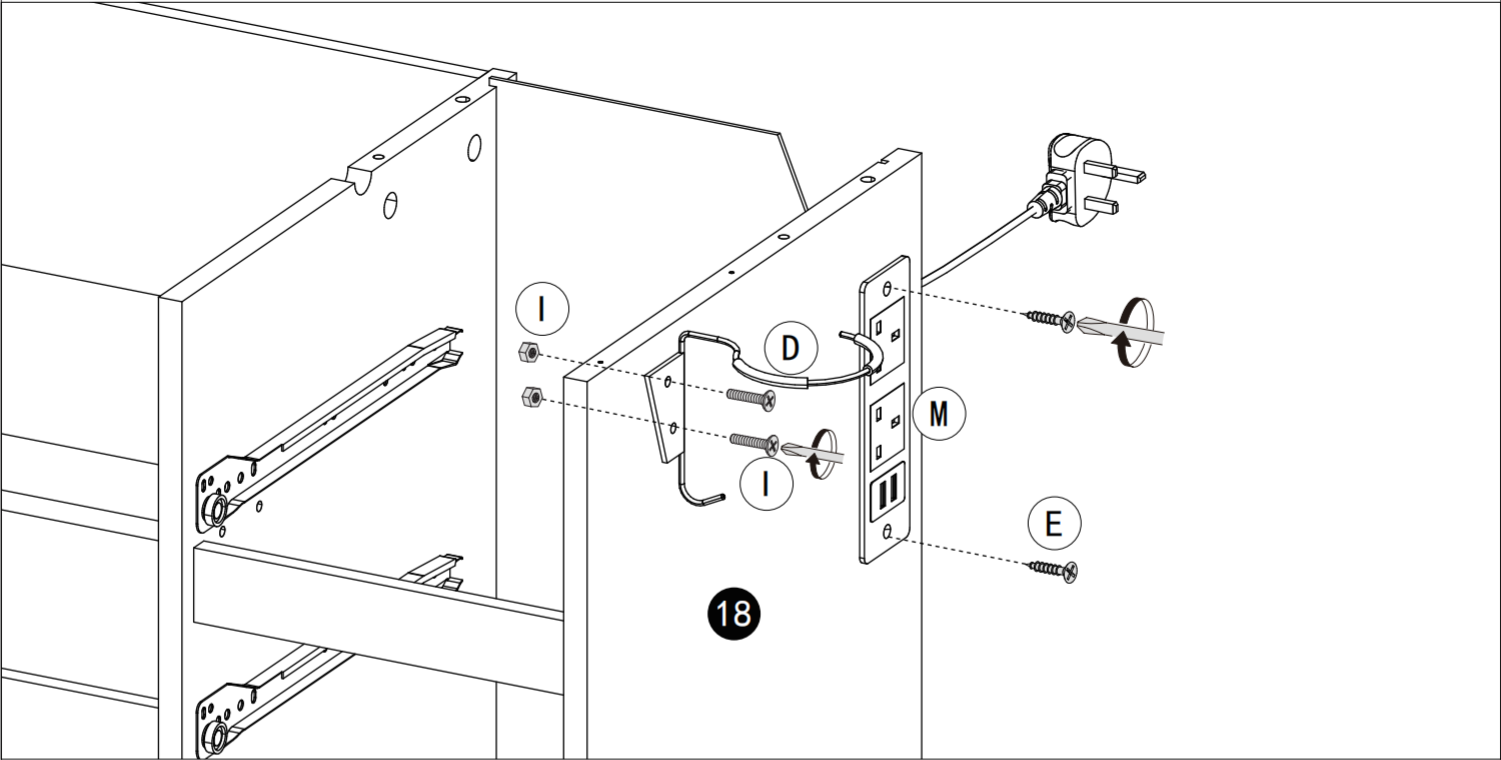
flip over



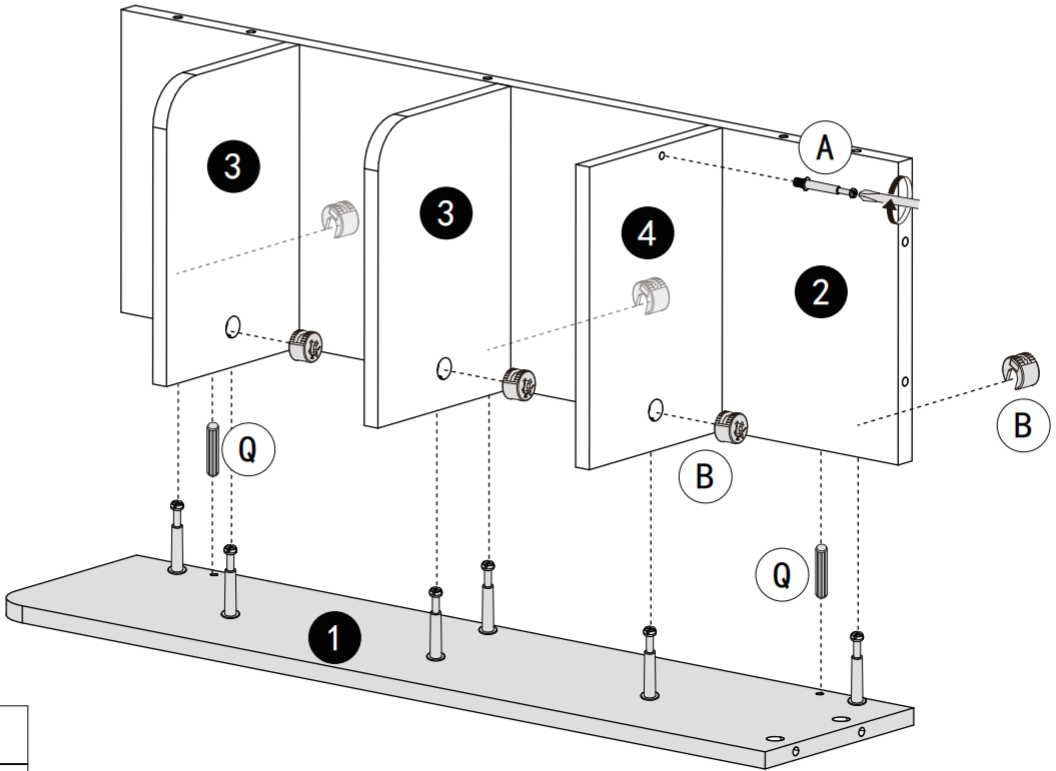
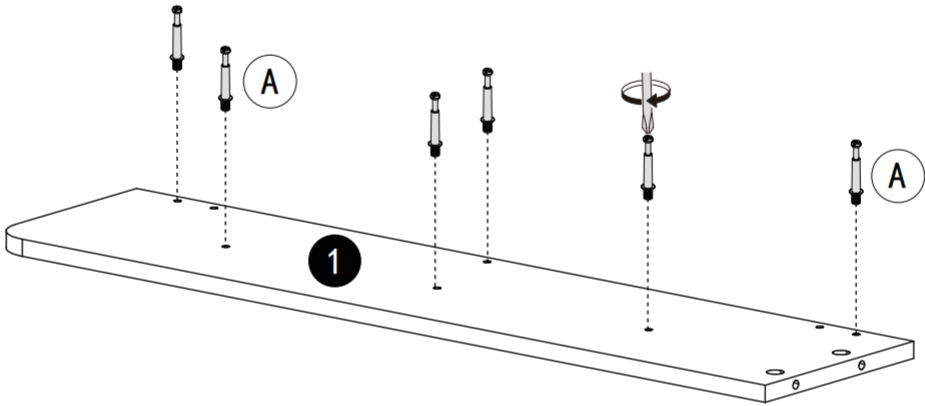
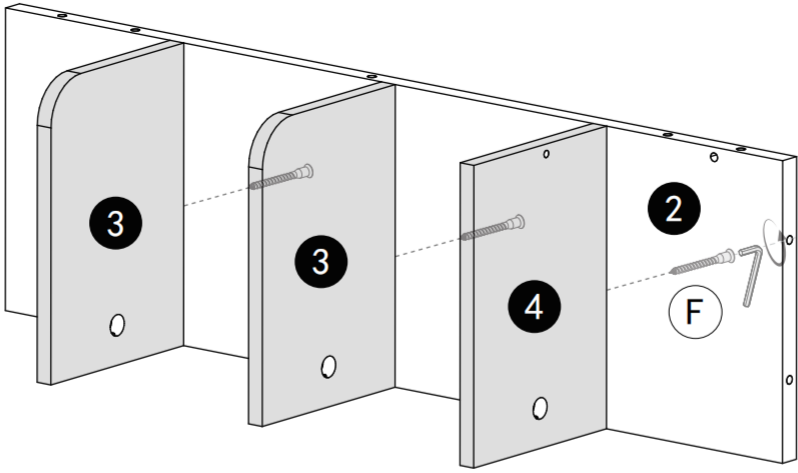
A		x6	Q		x4
B		x6	G		x4



F  x12

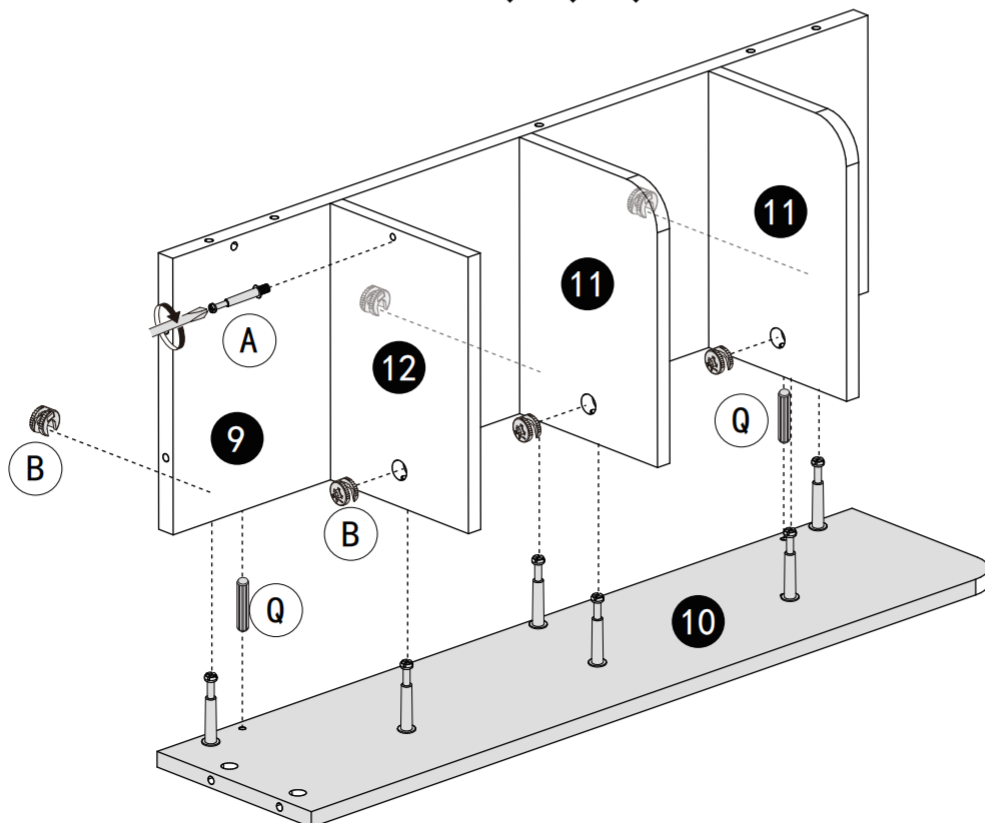
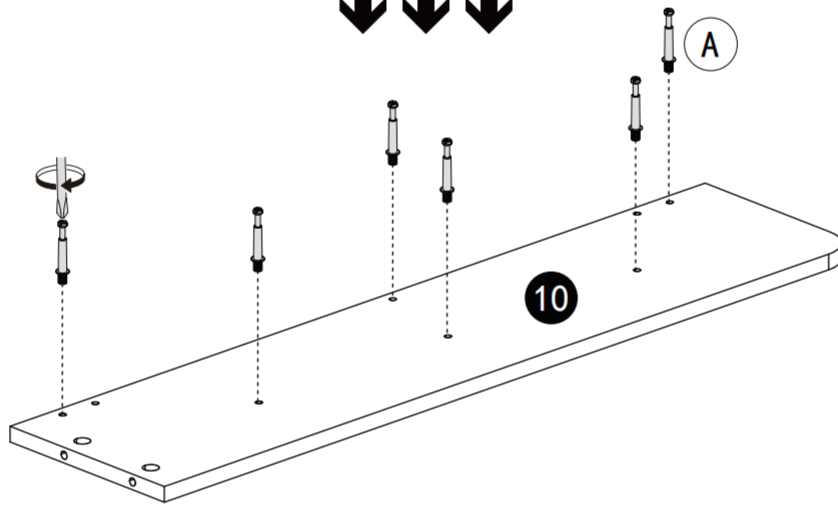
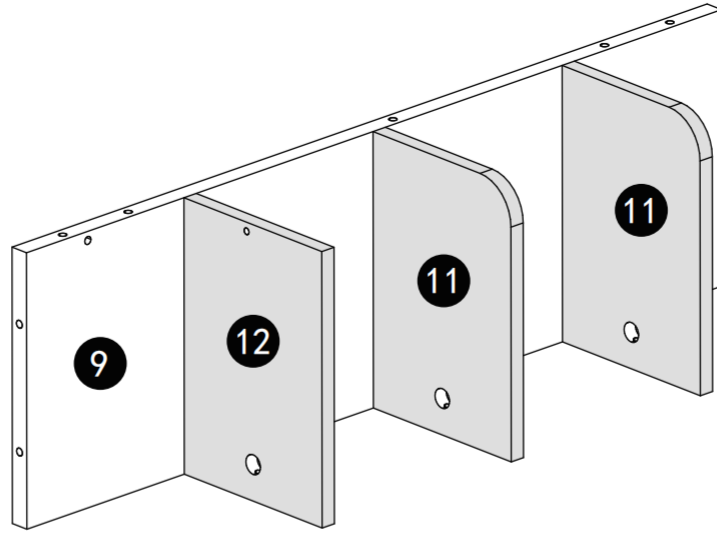






D		x1	E		x2
I		x2	M		x1

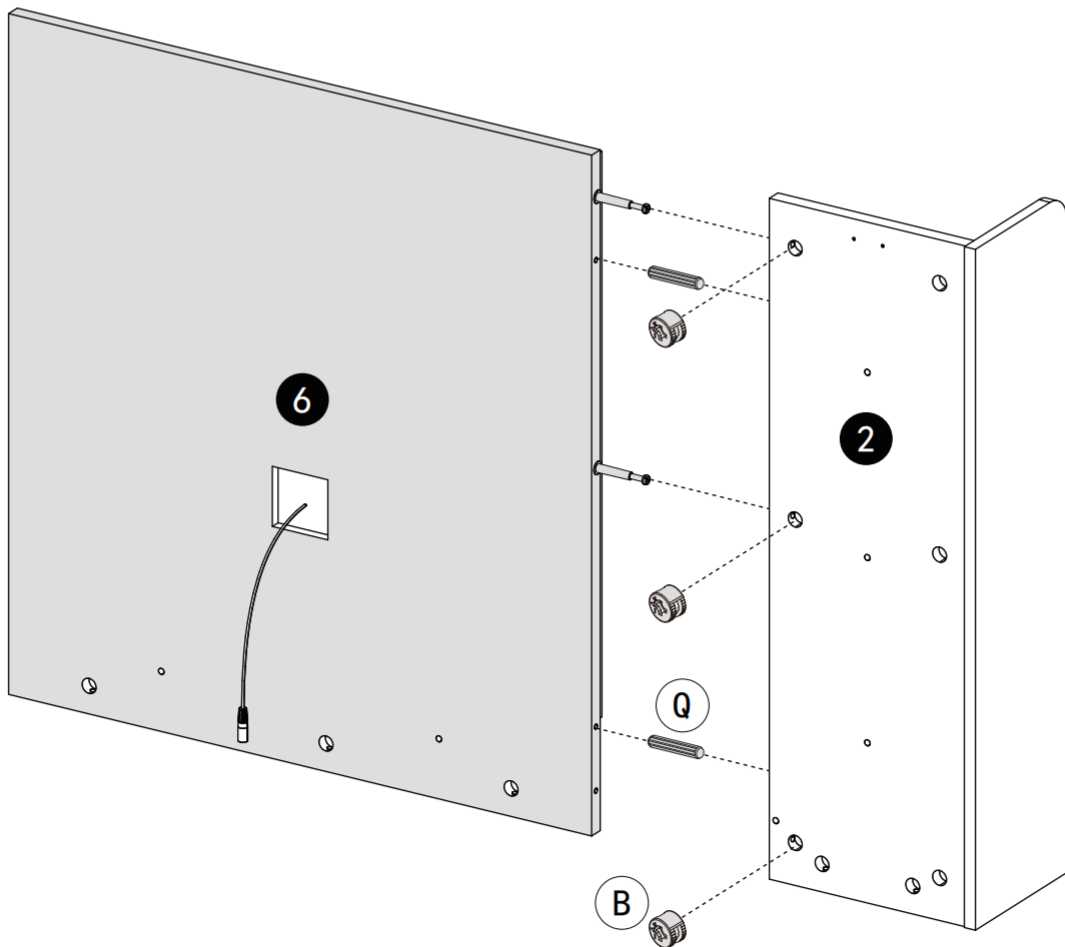
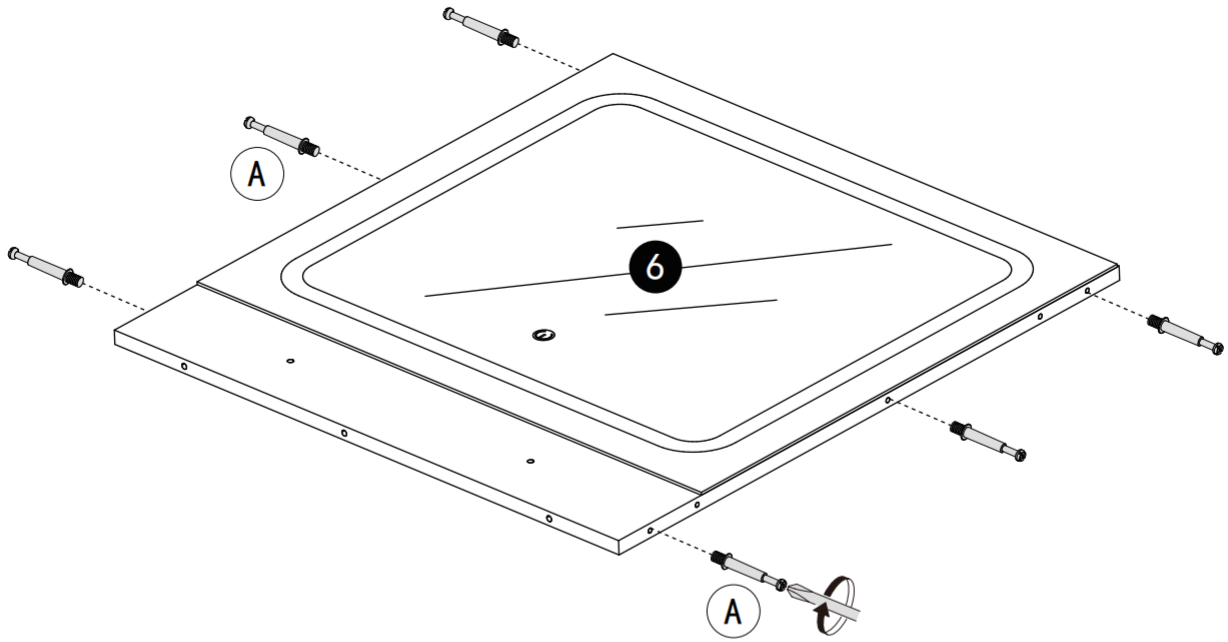


Q		x2
A		x7
B		x6

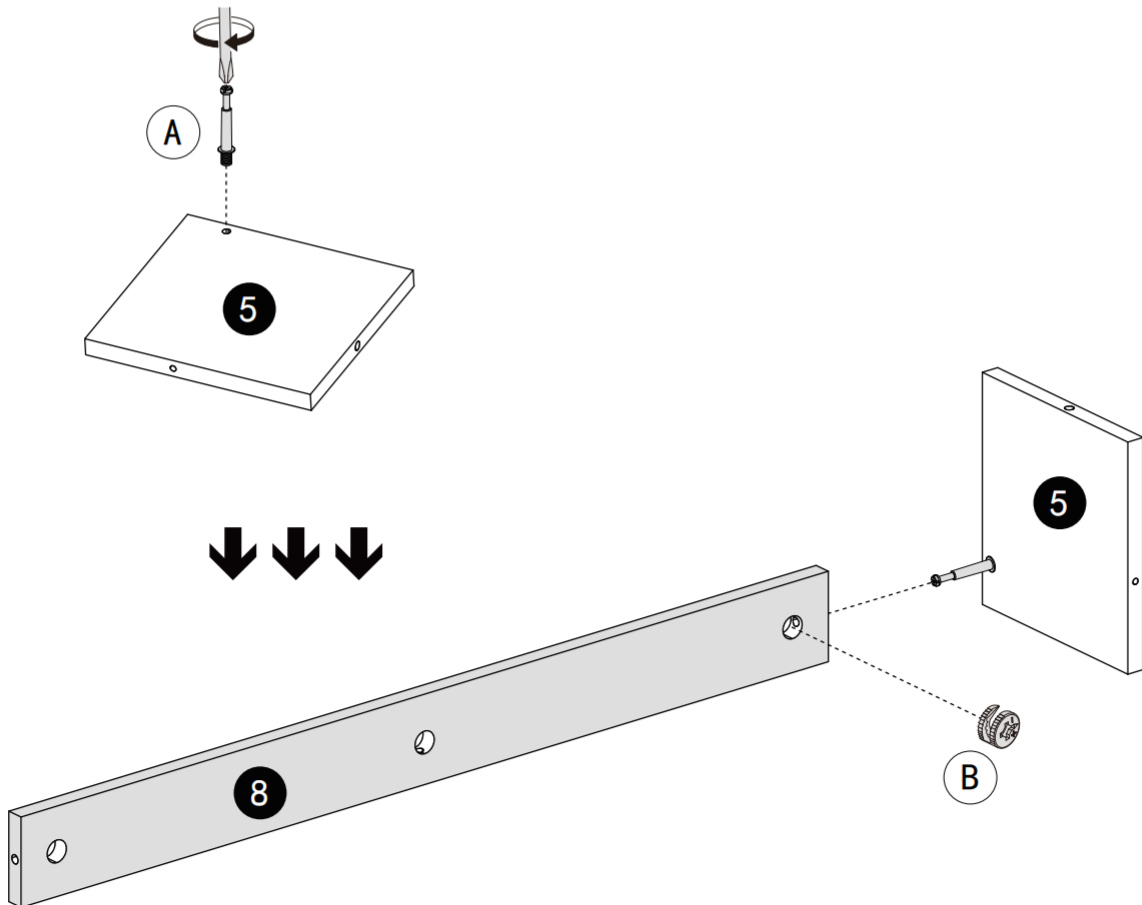
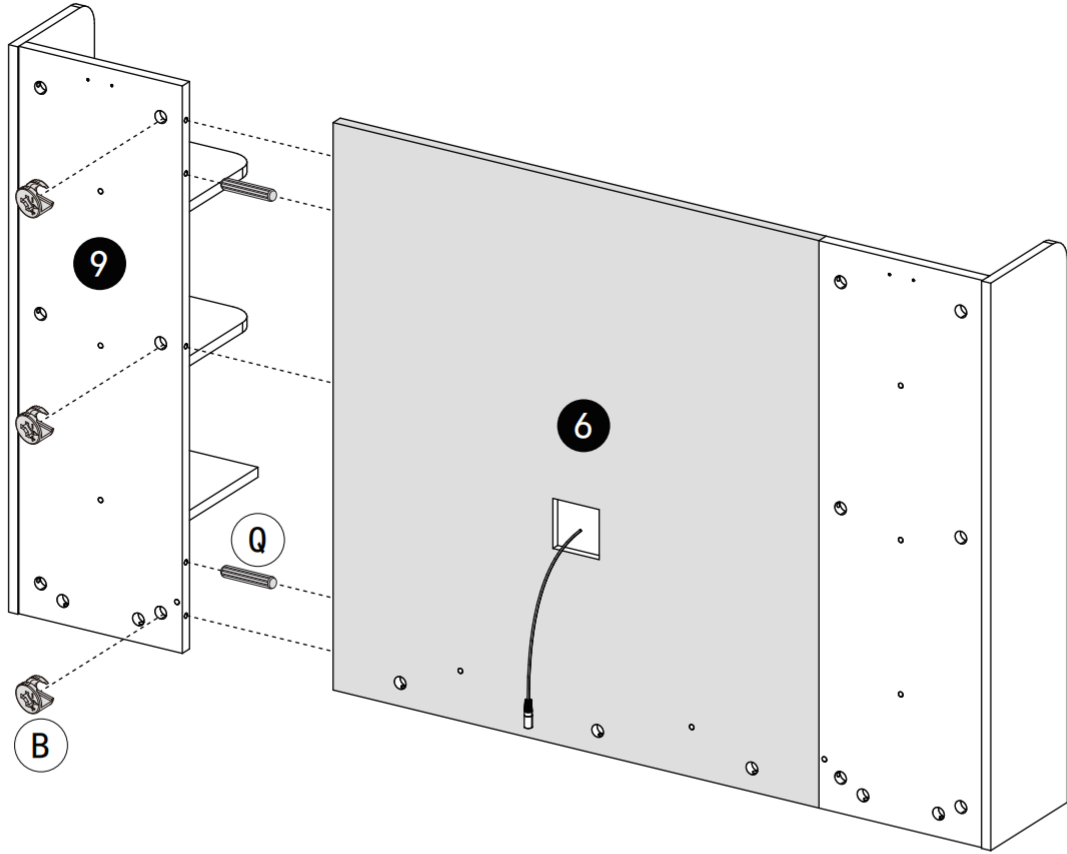
F		x3
---	--	----






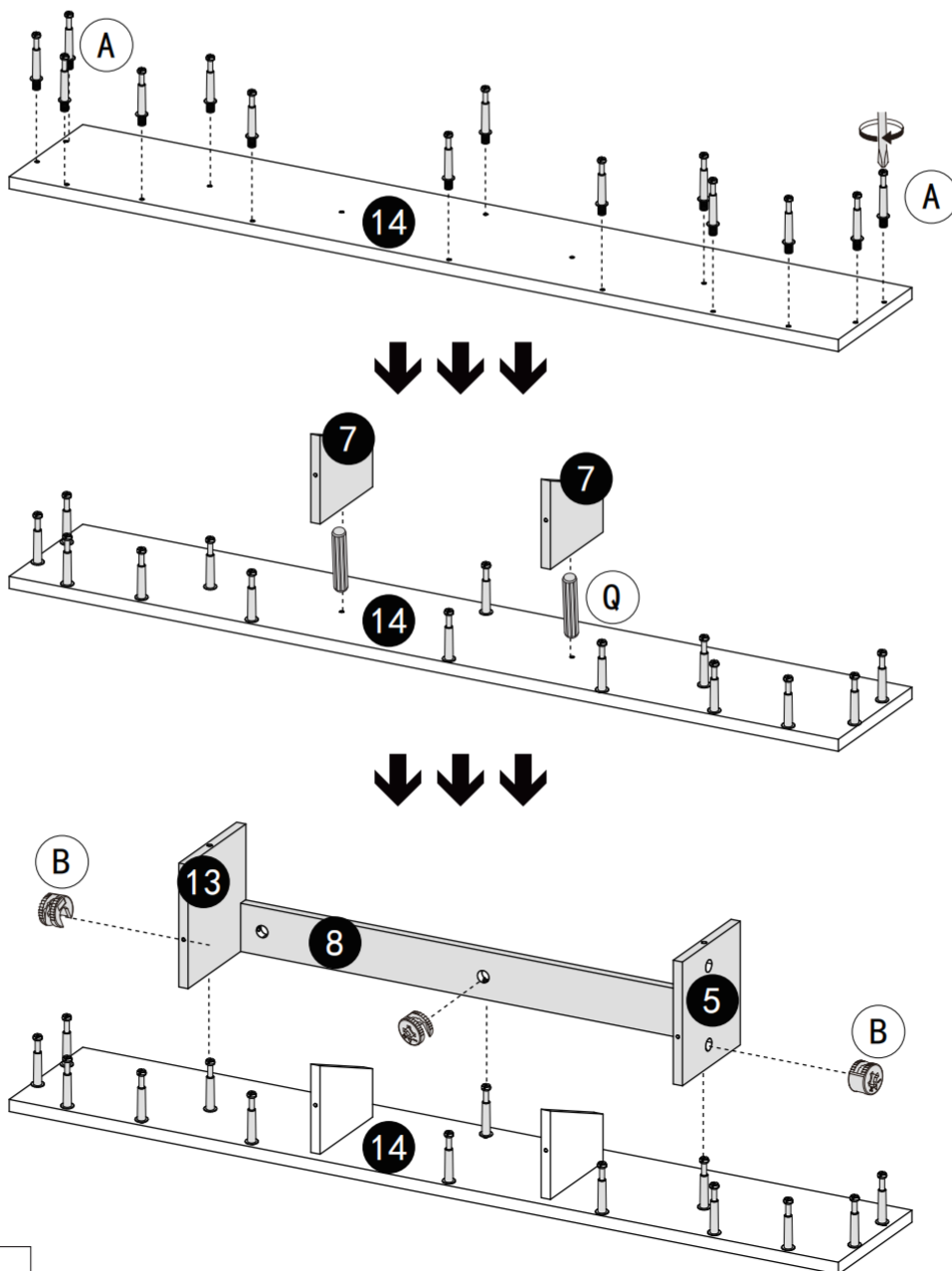
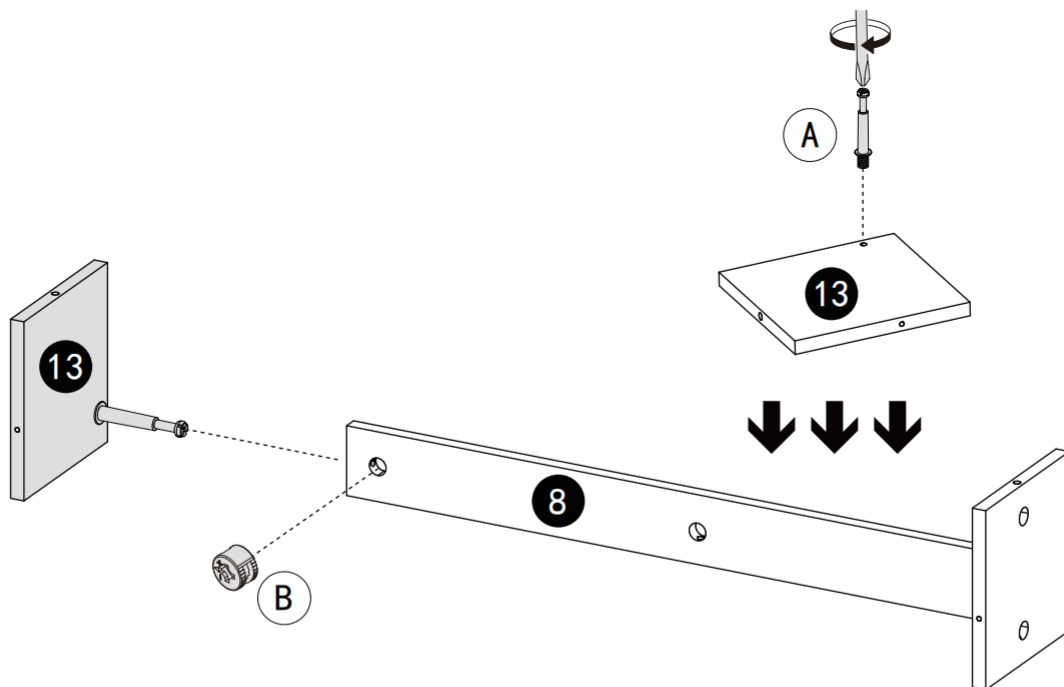
Q		x2
A		x7
B		x6
F		x3





A		x6			
B		x3	Q		x2

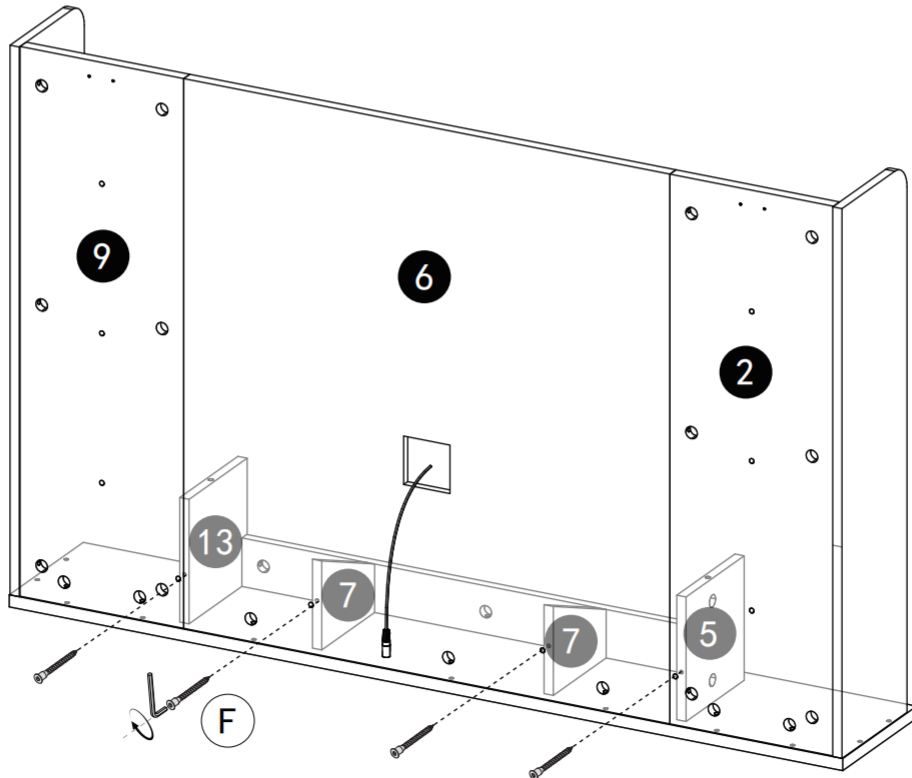
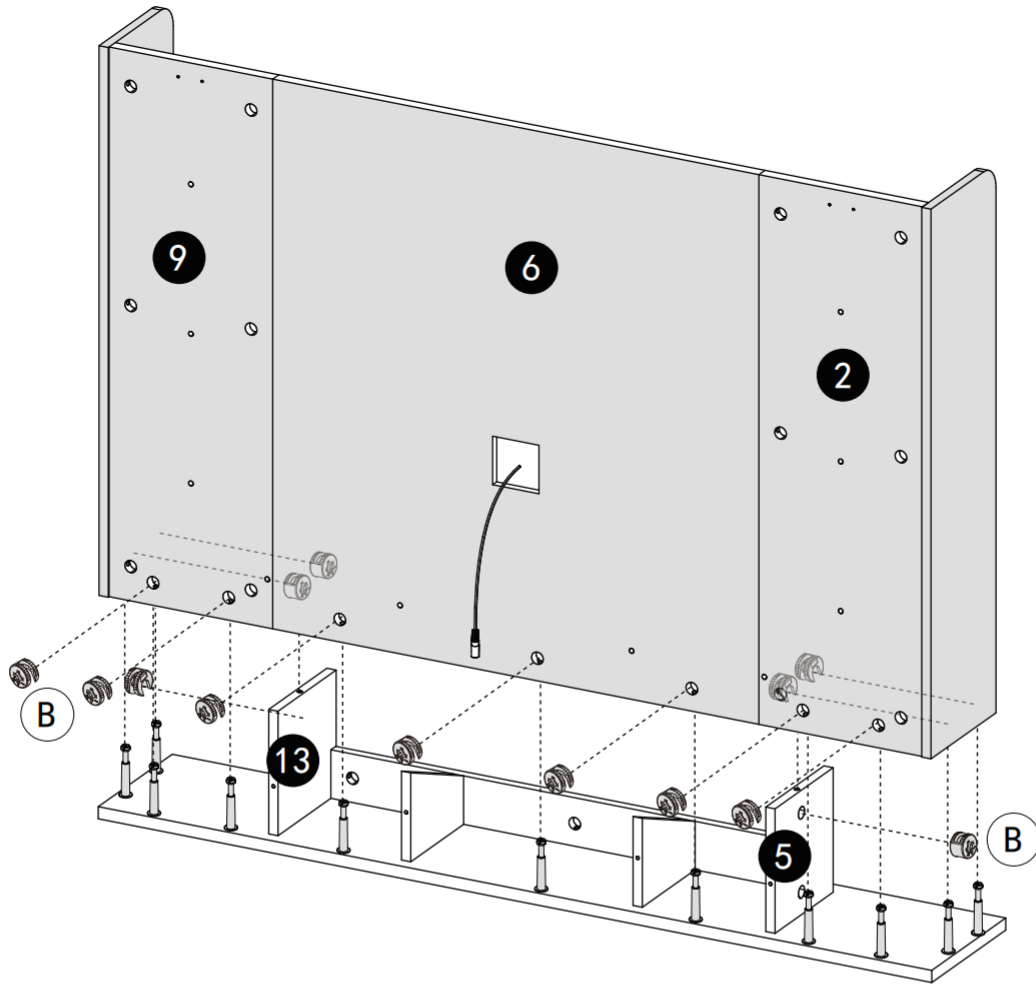




A		x1
Q		x2
B		x4



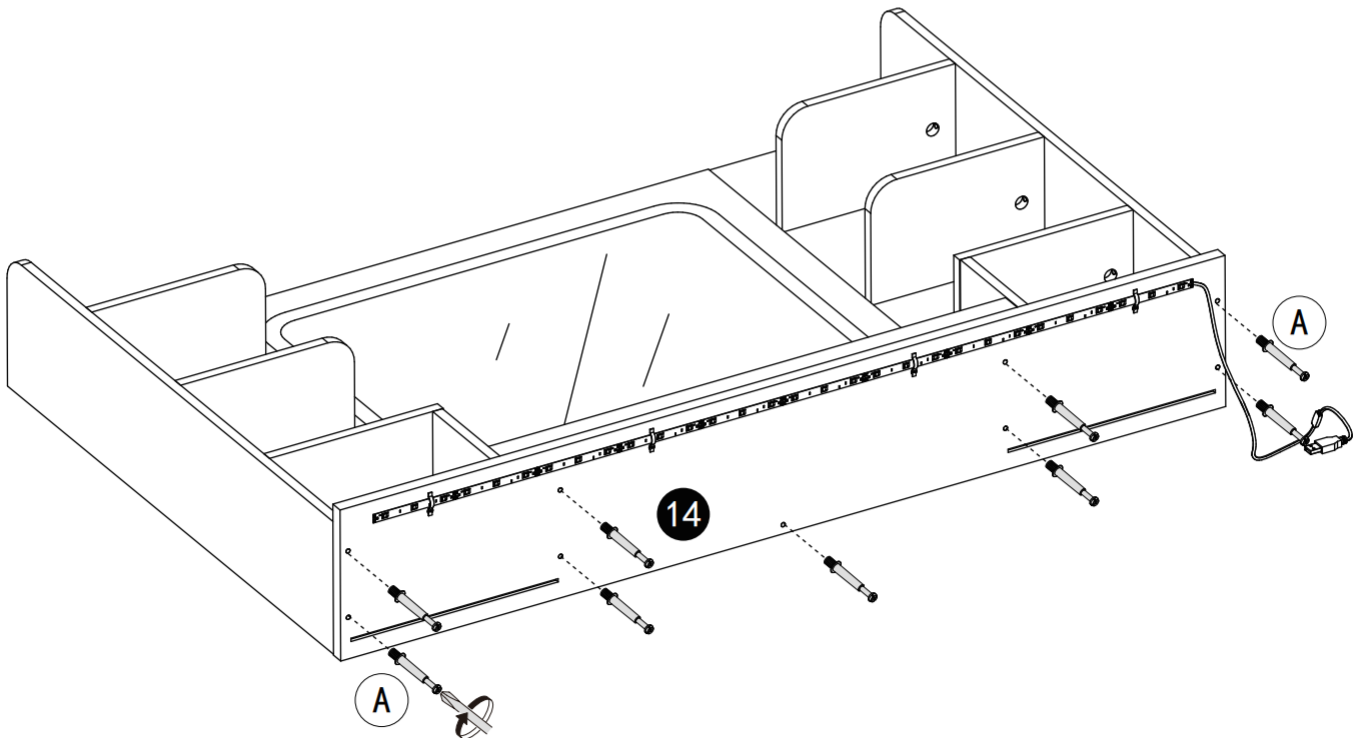
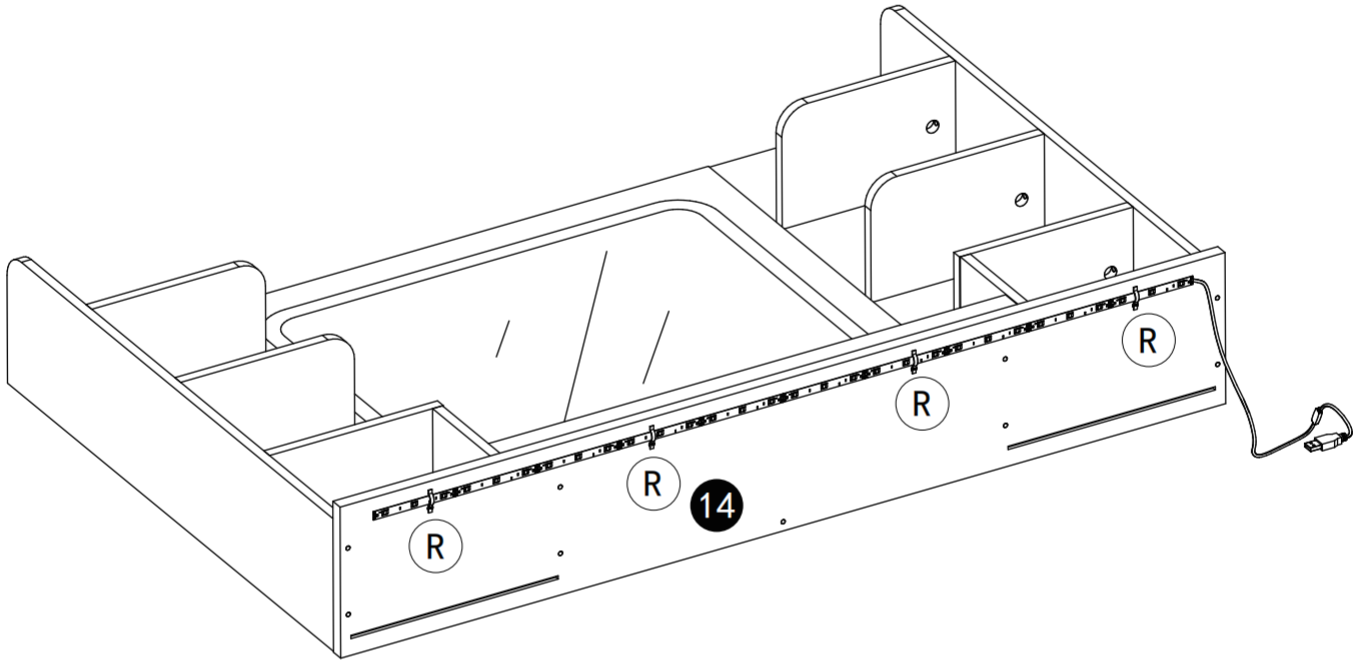
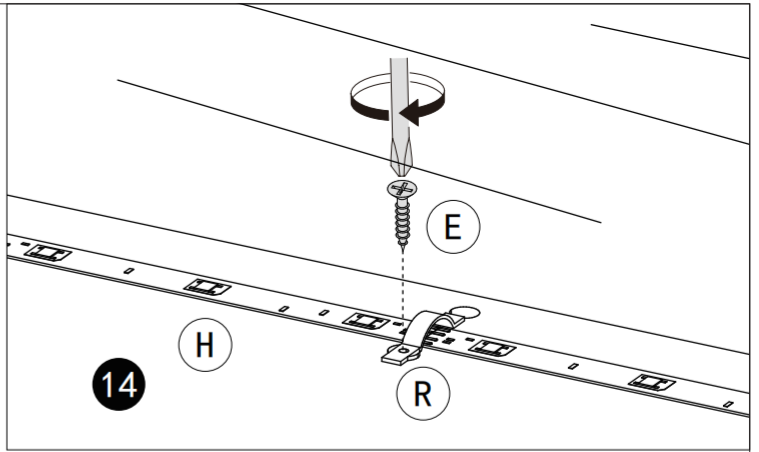
A		x15
B		x4

Q		x2
---	---	----

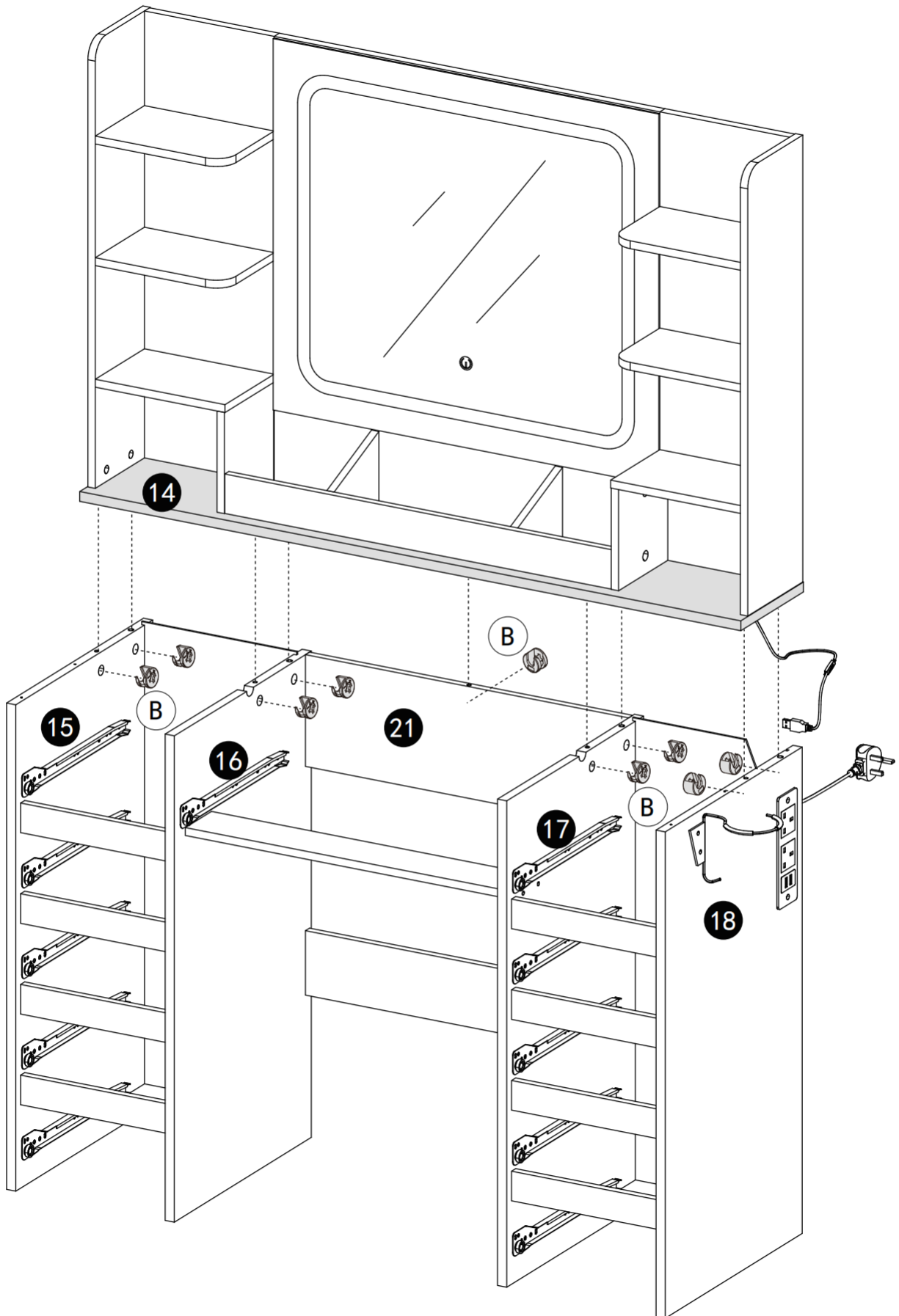


F		x4
B		x13

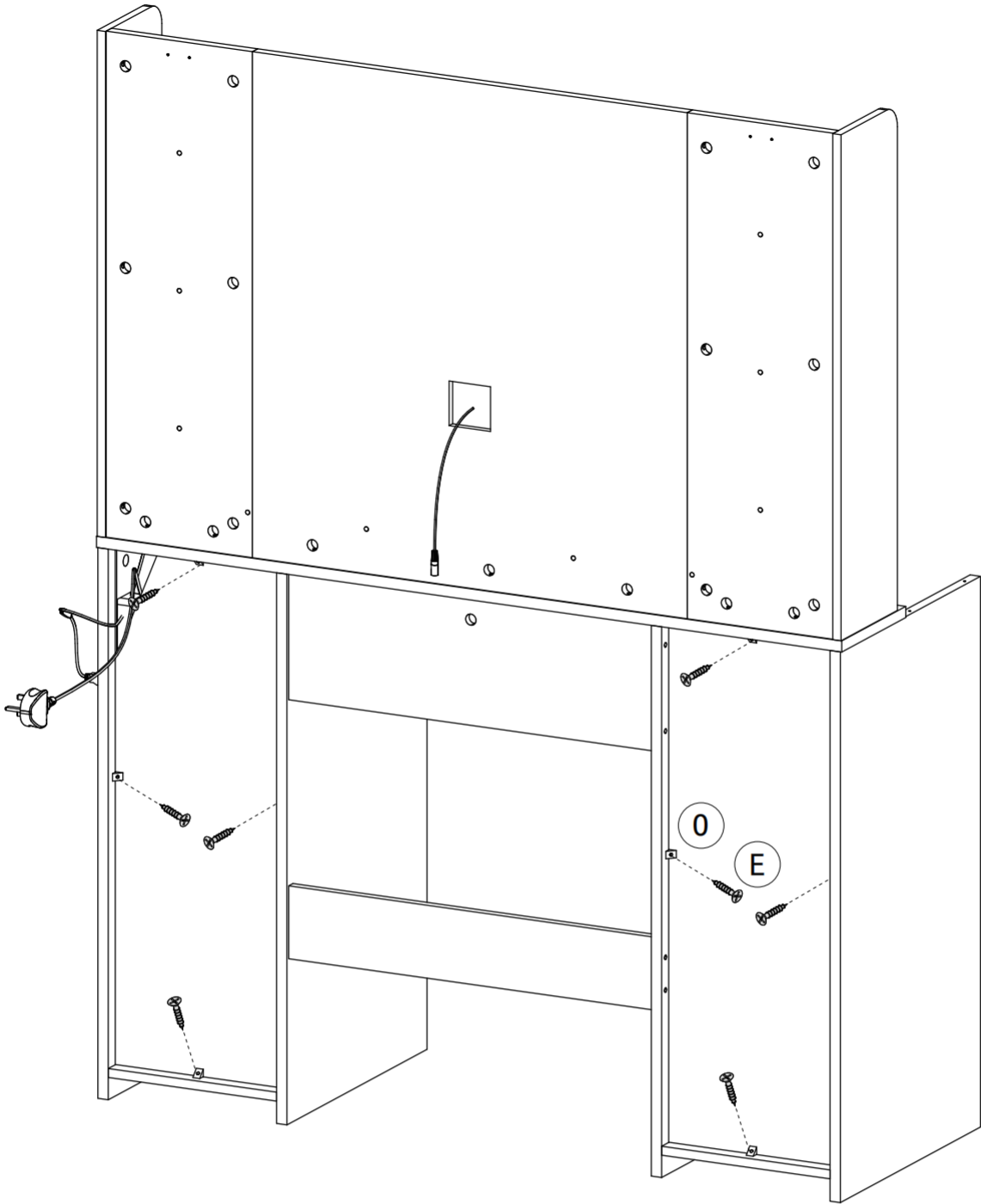
23



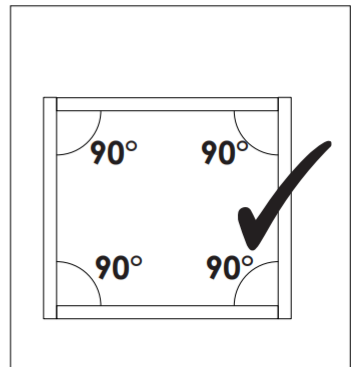
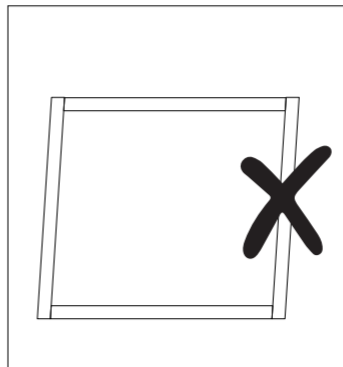
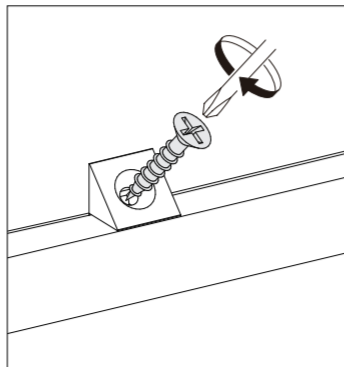
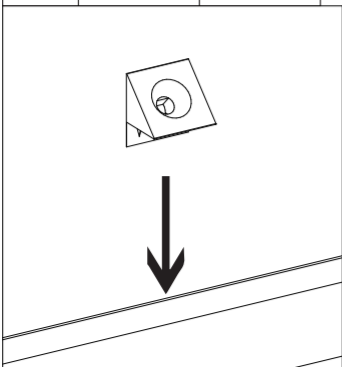
A		x9	E		x4
H		x1	R		x4

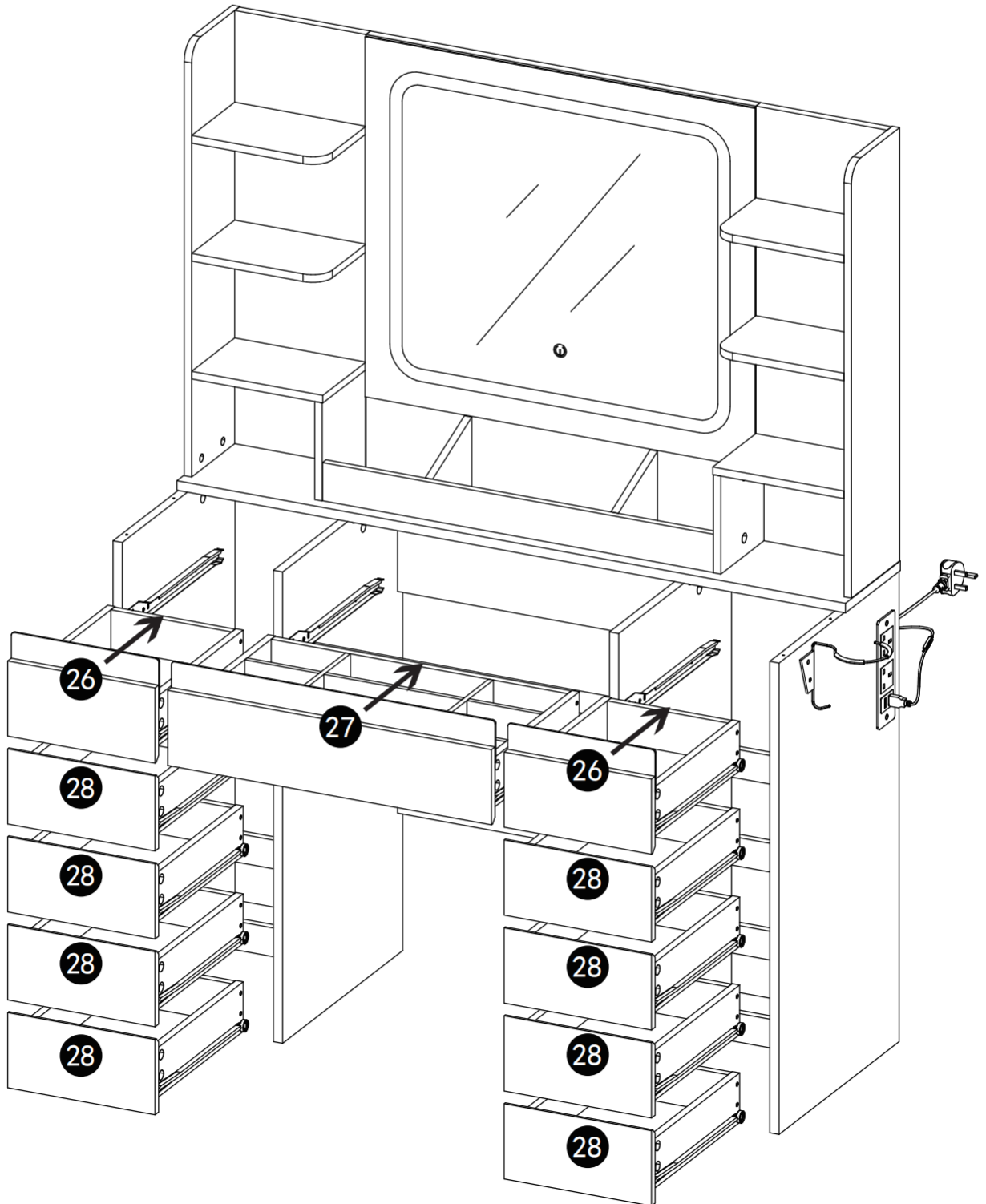
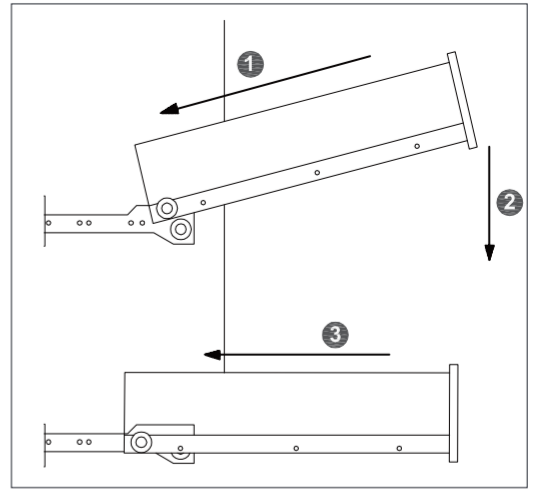
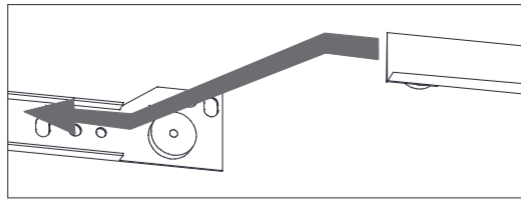


B  x9

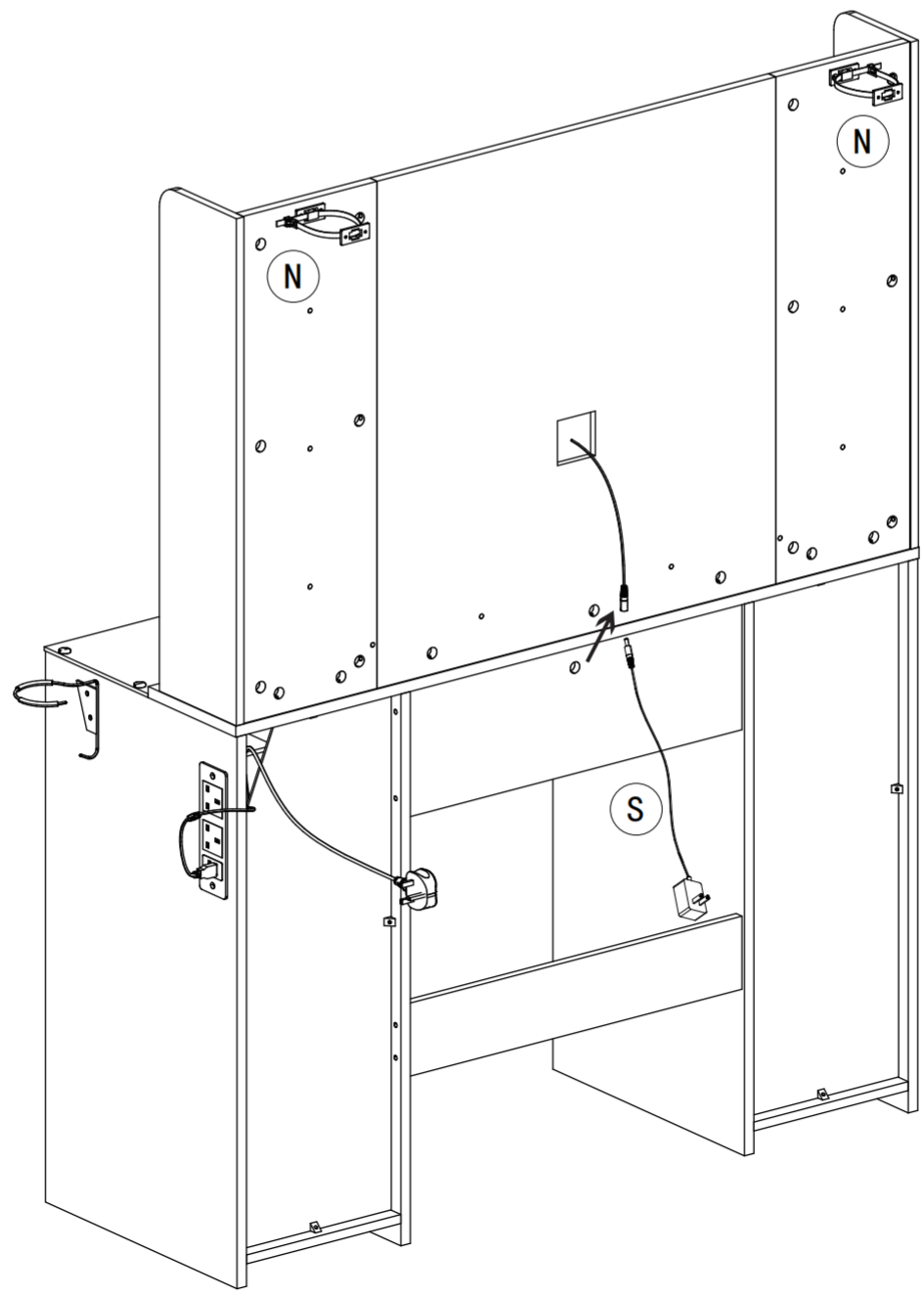
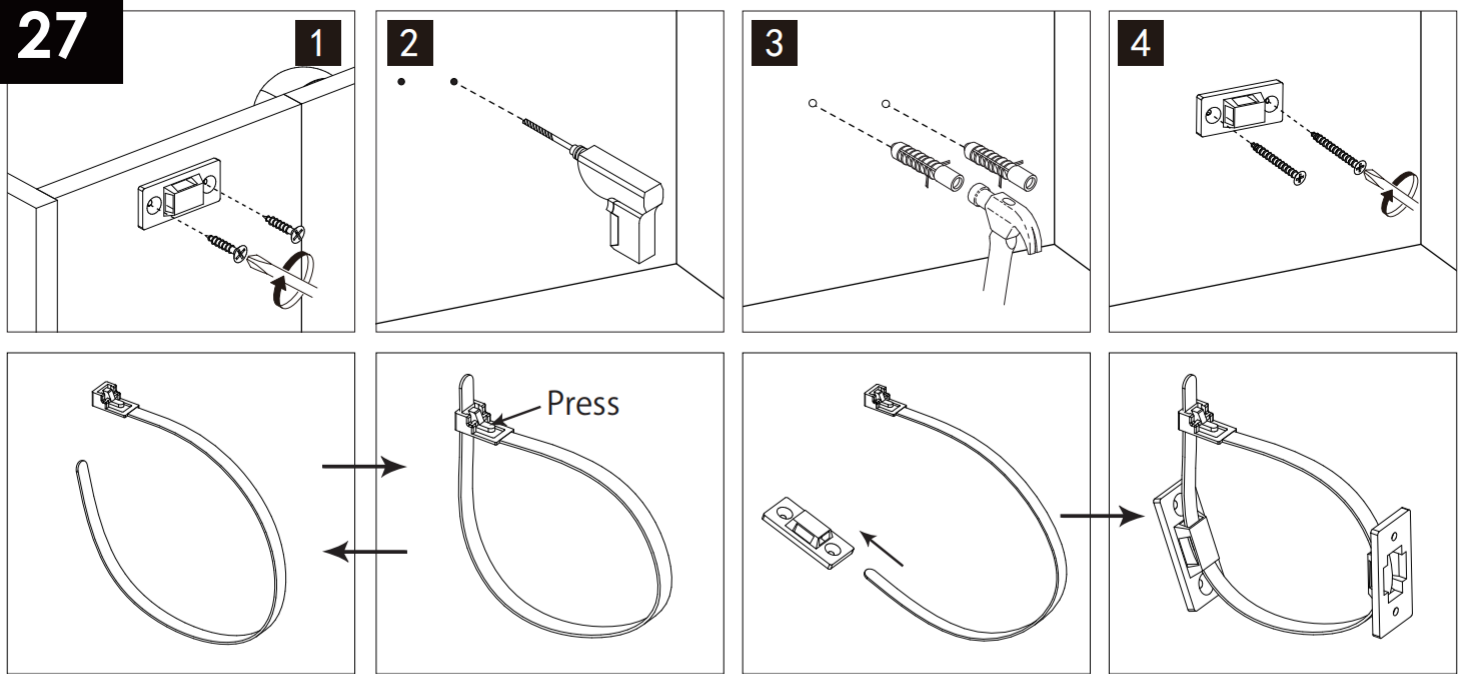


O		x8
E		x8

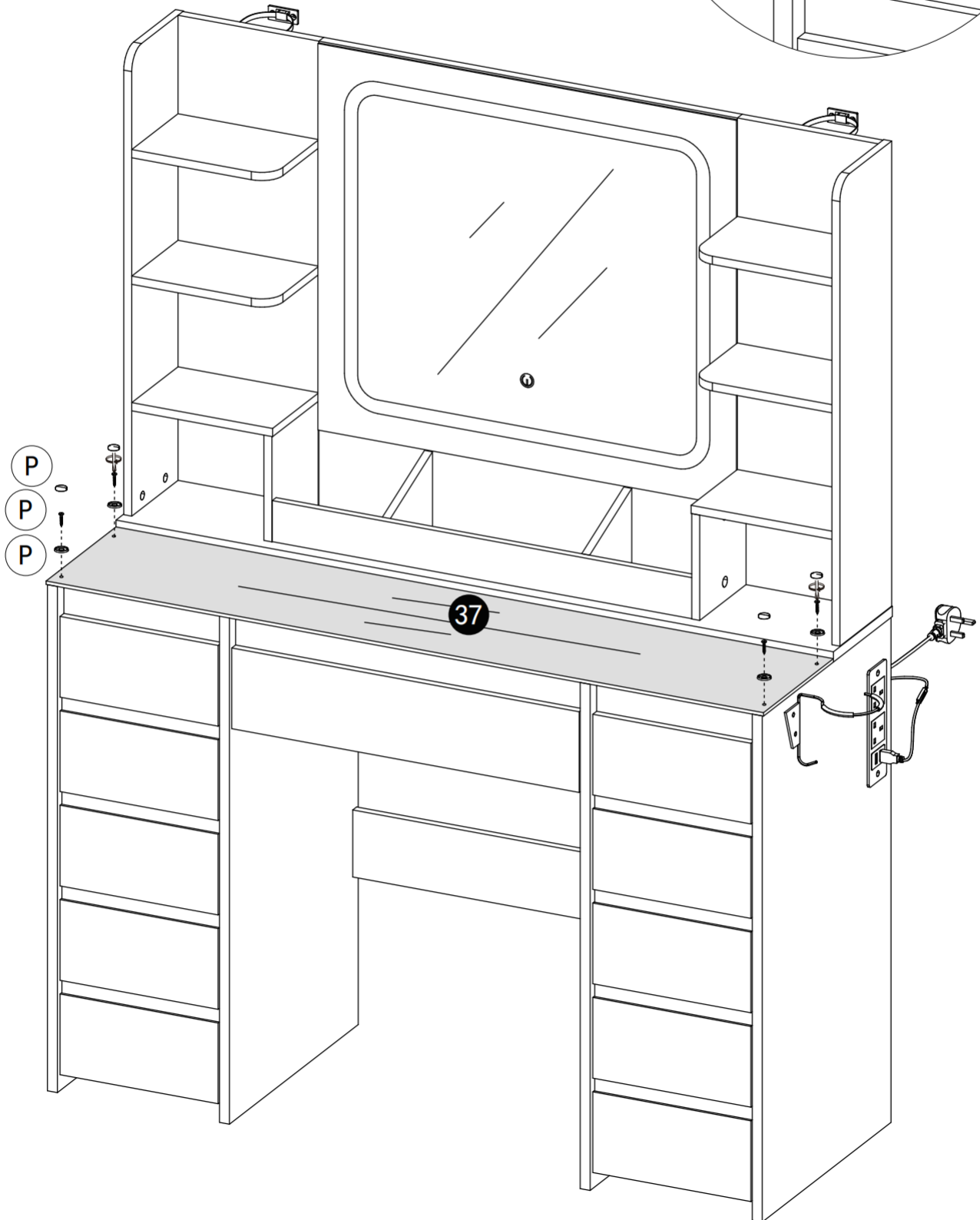
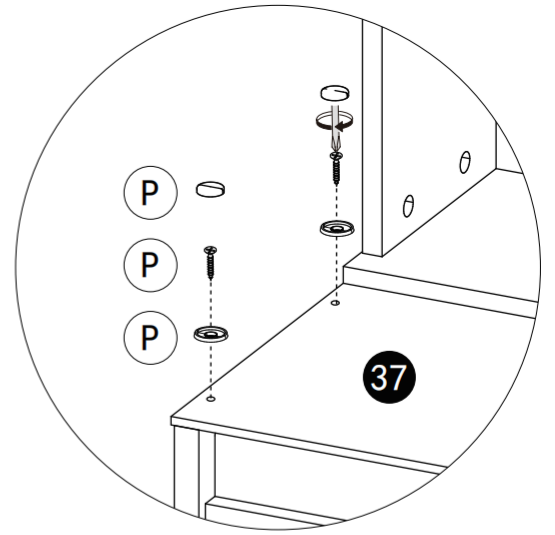




# 27

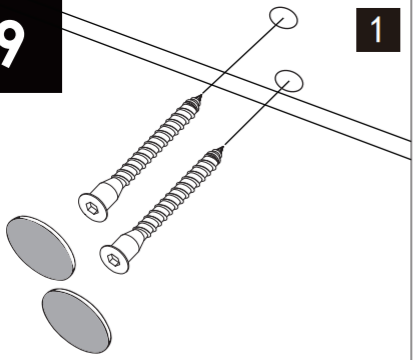


S		x1	N		x2
---	--	----	---	--	----



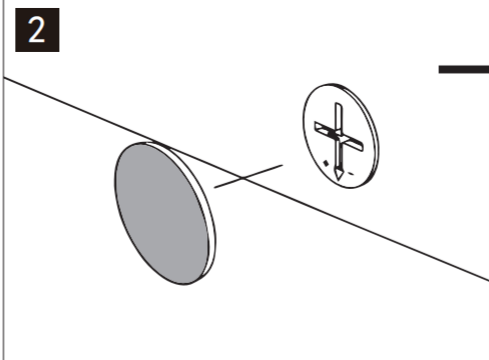
P   x4

29

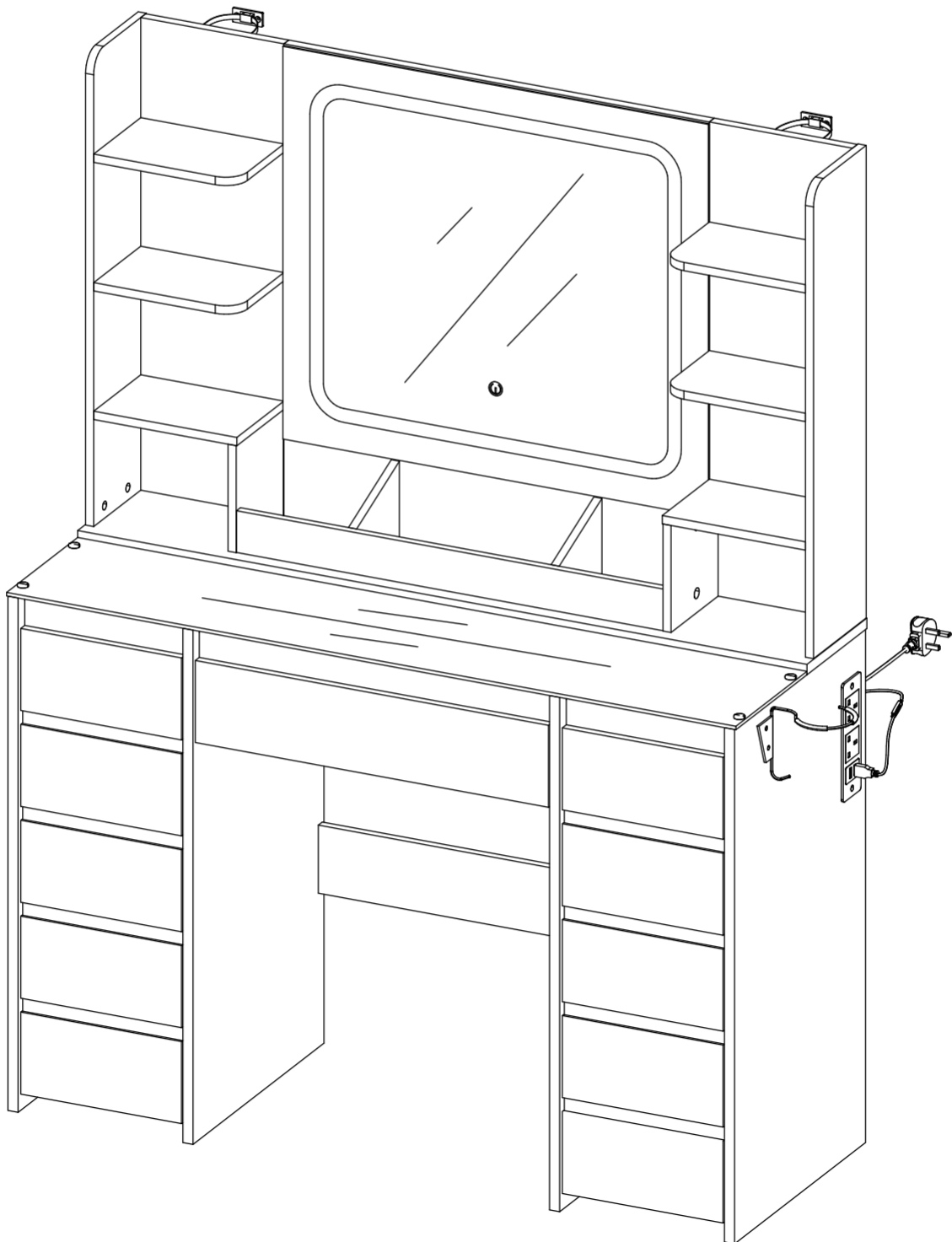


1

2



Add L fittings to all exposed holes on the front of the product



L  x10