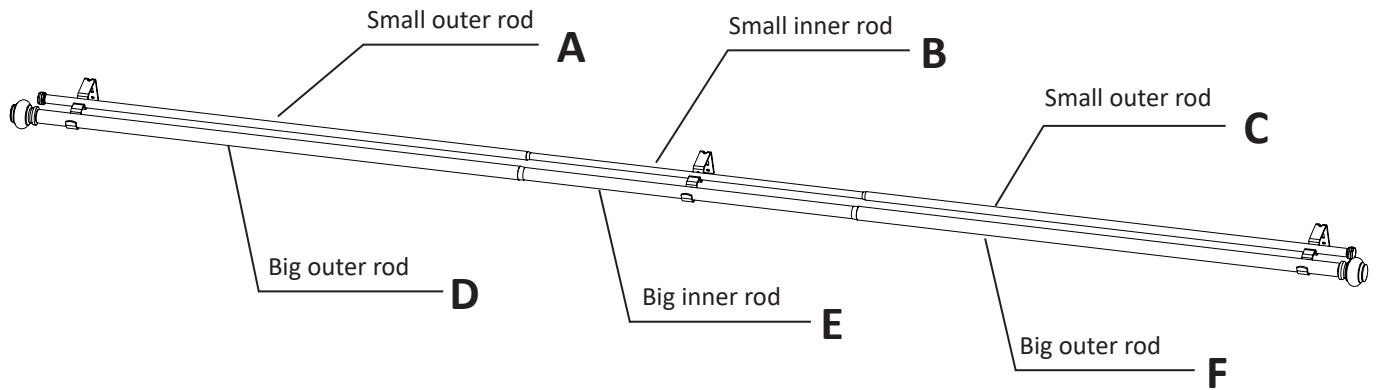


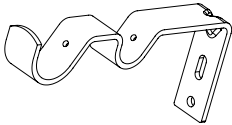
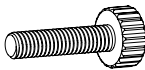
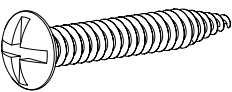
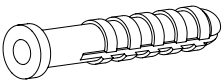
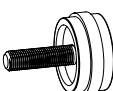
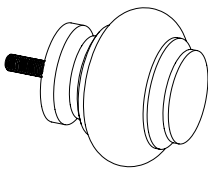
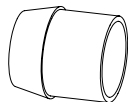
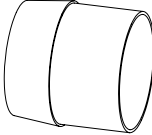
USE AND CARE MANUAL

DOUBLE CURTAIN RODS

Model number: 21553



Hardware (Parts are not to scale)

H1 Bracket 3 pcs 	H2 Locking screw (Pre-assembled on the bracket) 6 pcs 	H3 Wood screw 6 pcs 	H4 Plastic anchor 6 pcs 
H5 Small finial 2 pcs 	H6 Big finial 2 pcs 	H7 Small plastic cover 1 pc 	H8 Big plastic cover 1 pc 

PREPARATION

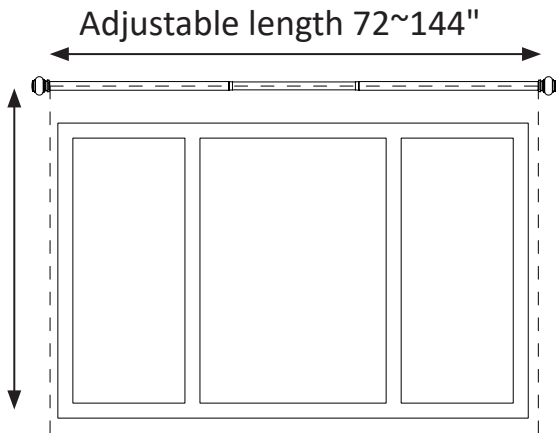
- Before beginning assembly or installation, ensure all parts are included. Compare all parts with the contents list above. Do not attempt to assemble or install if any part is missing or damaged. Contact customer service for replacement parts.
- Tools required for assembly (not included): flathead screwdriver, phillips screwdriver, safety glasses, ladder, pencil, drill, hammer, tape measure, level.

THIS MANUAL CONTAINS IMPORTANT SAFETY INFORMATION. PLEASE READ AND KEEP FOR FUTURE REFERENCE.

INSTALLATION

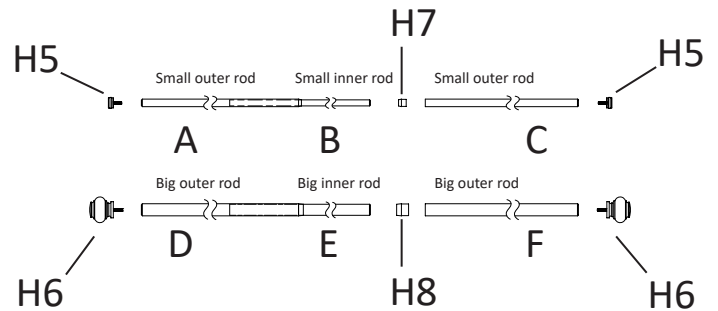
1 Preparing installation

- Before installation, measure windows to determine appropriate curtain rod length.



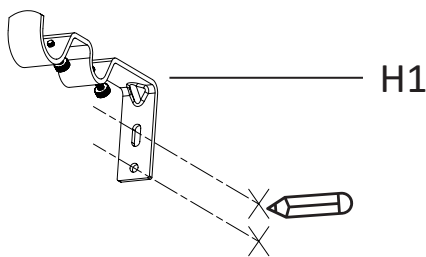
2 Assembling the curtain rods

- Insert the small and big plastic tube cover (H7, H8) into the two outer rods (C, F) as shown in the diagram.
- Screw the small finials (H5) onto the ends of the small curtain rods (A, C).
- Screw the big finials (H6) onto the ends of the big curtain rods (D, F).
- Slide the two outer rods (C, F) over the ends of the two inner rods (B, E) to complete both rod assemblies.



3 Mark the locations of the brackets

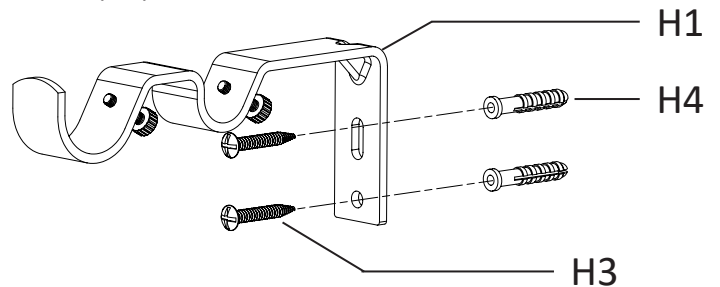
- Place the brackets (H1) against the wall at the desired locations.
- Mark screw-holes location with pencil (no provided).
- Ensure all marks are level across the opening.
- Install at least one bracket on each rod (inner and outer) to prevent rod movement.



4 Installing the brackets

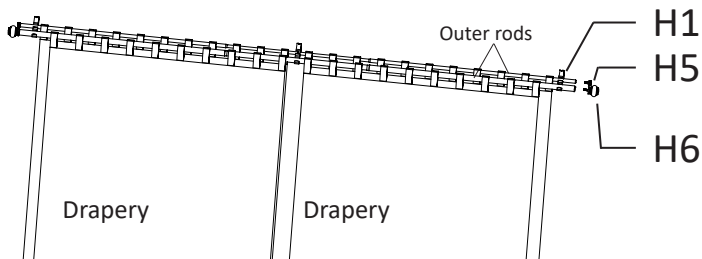
- Drill a small hole at each mark and push the plastic anchors (H4) into the wall with a hammer.
- Fasten the brackets (H1) onto the wall using the two wood screws (H3).

NOTE: If your wall is wood, do not drill holes. Use the two wood screws (H3) to secure the bracket (H1).



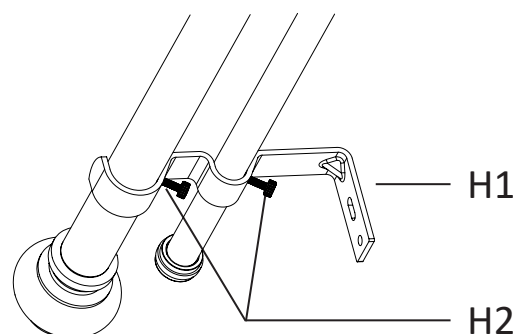
5 Rod installation

- Detach finial (H5, H6) from outer rods (C, F).
- Assemble shirr drapery treatment onto rods, then screw the finials (H5, H6) onto the outer rods (C, F).
- Extend rod to desired width and place it into the brackets. Adjust draperies to desired position.



6 Final Adjustment

- Tighten the locking screws (H2) on each bracket to secure the rods.



CLEANING

- Do not use any cleaners with chemicals, solvents, or harsh abrasives.
- Use only a dry or slightly dampened to dust or wipe carefully.

TROUBLESHOOTING

- Curtain rods not level:
 - a) Brackets not installed correctly. Make sure to use level (not included) during installation.
- Curtain rods brackets is loose.
 - a) Brackets not anchored correctly. Attach brackets to wall studs if possible. Use anchors and screws supplied if you can't attach to stud.