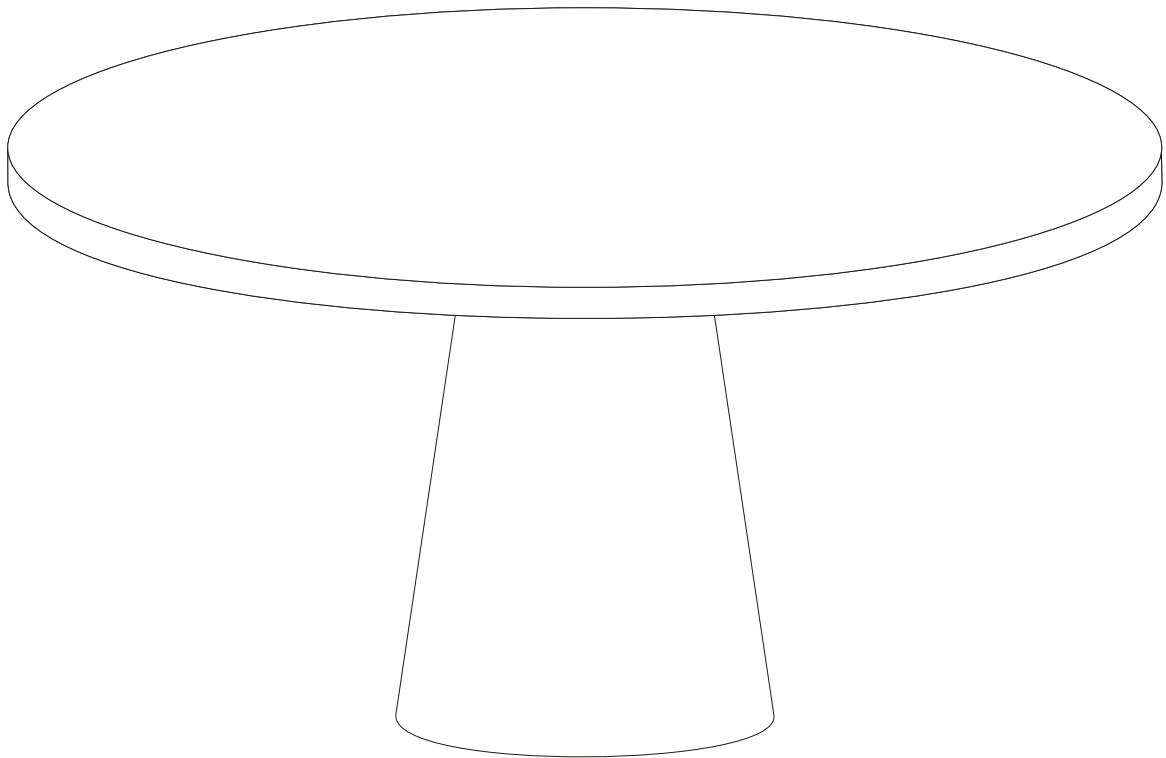


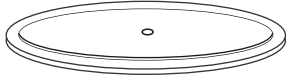
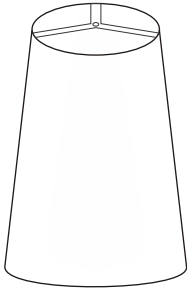
# COFFEE TABLE

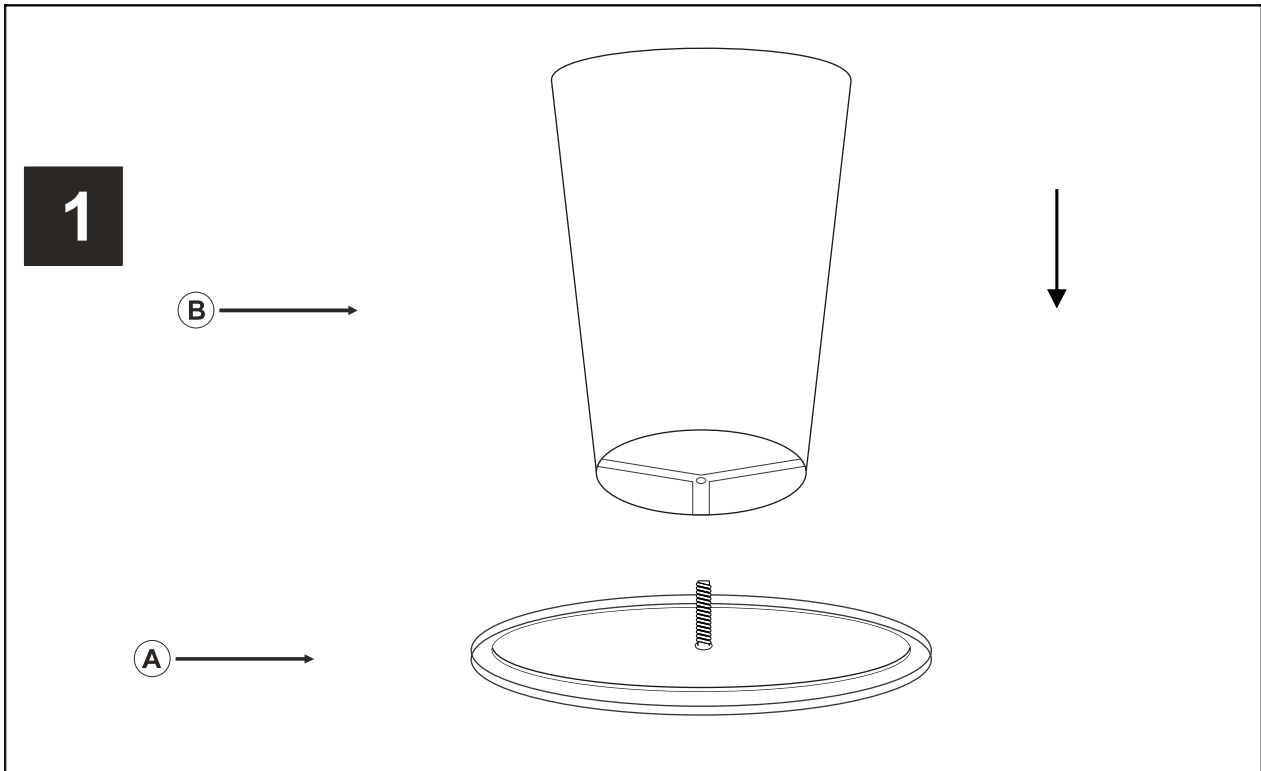
## COFFEE TABLE

### ASSEMBLY INSTRUCTION



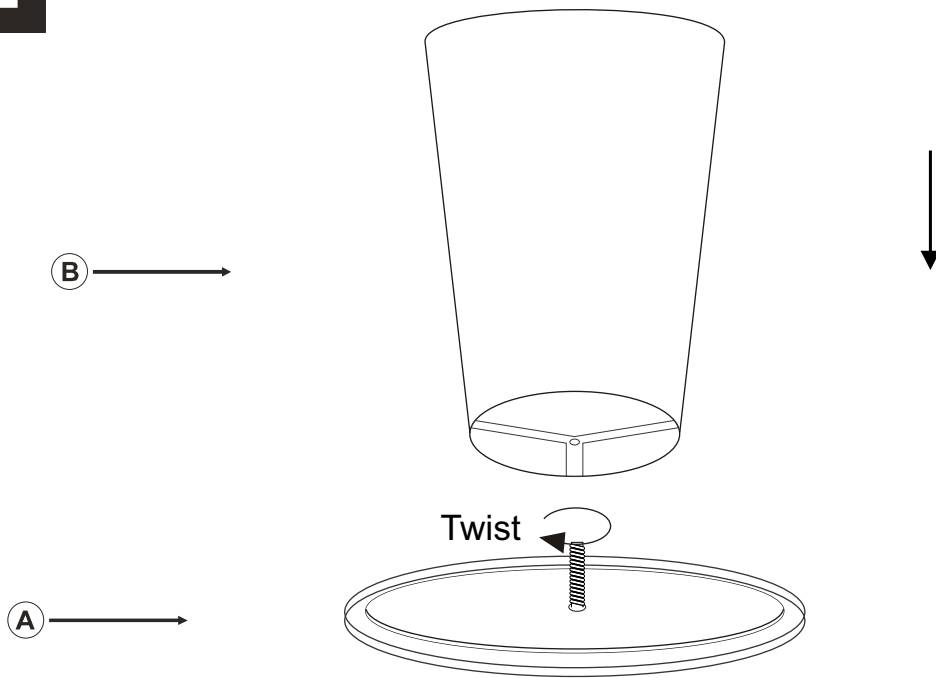
## Part List and Hardware List

	DESCRIPTION	PICTURE	QUANTITY
A	TABLE TOP		1
B	BASE		2

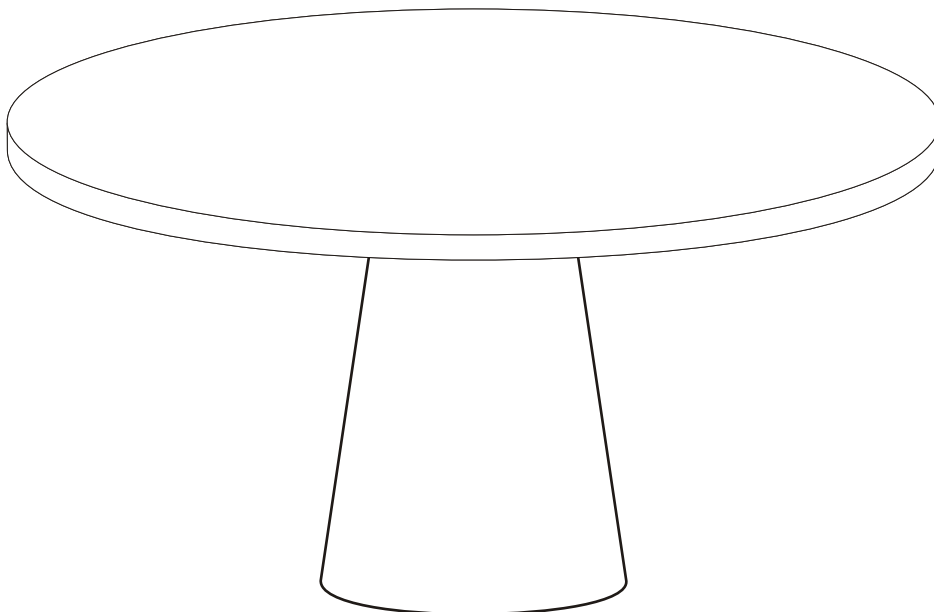


Place base (B) on top (A)

**2**



**STEP -2: Twist base (B) on top (A)**



# **CARE & MAINTENANCE**

**1. Protect against moisture.**

**2. Wipe with a clean, lint free cloth.**

**3. Do not use ammoniated detergents, metal or furniture polish or other abrasive cleaning agents.**

**4. Avoid spills, wipe up immediately with a dry, clean, lint free cloth.**

**5. Do not expose to harsh or direct sunlight.**

**6. Please make sure that you have all parts indicated before you begin assembly of this item.**

**7. This item should be assembled on a soft surface to prevent scratching the finish during assembly.**

**8. This item may require periodic tightening.**