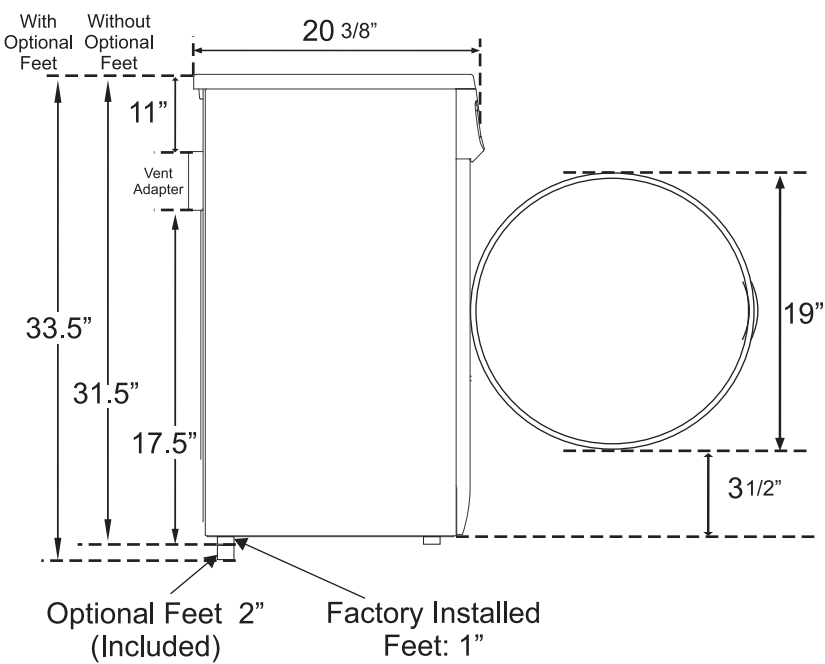


# DATA SHEET: COMPACT STANDARD DRYER

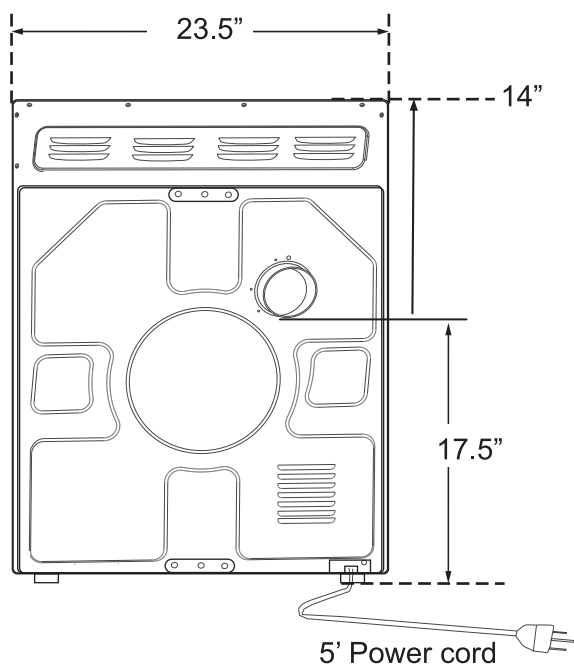
## Specifications:

|                                 |                                  |
|---------------------------------|----------------------------------|
| Product                         | Compact Standard Dryer           |
| Model                           | 860 V                            |
| Dryer Ventilation               | Venting                          |
| Capacity                        | 13-lbs / 1.6 cu.ft               |
| Time Dry                        | 60 minutes                       |
| Weight (lbs/kgs)                | 54/24.49                         |
| Electrical                      | 110V 60Hz 15A                    |
| Unit Dimension HxWxD (inch/cms) | 31x23.5x21.5 / 78.74x59.69x54.61 |
| Accessories included            | Adjustable Legs                  |

### SIDE VIEW



### REAR VIEW



### Attachments:

Power cord length - 5' - Color White

### Installation Location:

- Unit may be installed in recessed area, closet, or alcove.
- Air space Requirements: 2" on sides and 3" in front and back (from the case). Additional installation spacing needs to be considered for easy installation, servicing, and compliance with local codes or ordinances.
- Floor must support at least 280 lbs. and be a solid, level surface.
- When locating in a towable trailer or watercraft, position the machine over the axles or midship where movement is a minimum. Block unit in to prevent extreme movement.

### Standpipe Drain:

- In Home, installation need a 1 1/2" (3.7cm) diameter standpipe with the minimum carry-away capacity of 7 gallons (26 liters) per minute.
- An air break must be available at the standpipe to avoid siphoning.

- Top of standpipe must be at least 24" (60cms) high and no higher than 40" (101 cms) from the bottom of the machine.

### Sink Drain:

- The drain hose can be clamped to the sink using the U-connector provided the top of the sink is not higher than 40" (101 cm) from the bottom of the machine.

### Mobile Home Installation:

- The dryer must be exhausted to the outdoors with the termination securely fastened to the mobile home structure. The exhaust must not be terminated beneath the mobile home. Provisions must be made for the introduction of outside air into the dryer. The free air opening shall not be less than 12 sq. inches.

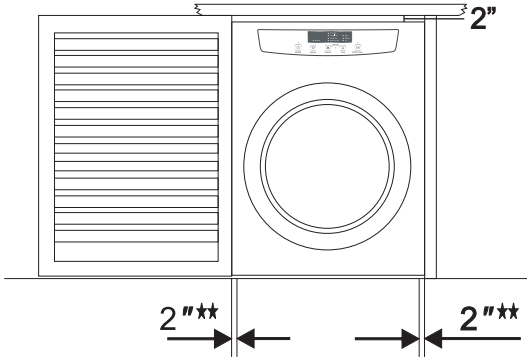
### Portability Kit Available

- It comprises of a faucet adapter for direct faucet connection, Y-connector for single faucet connection and casters to make the unit portable.

## Cutout Dimensions

|               |             |
|---------------|-------------|
| Cutout Height | 33 inches   |
| Cutout Width  | 27.5 inches |
| Cutout Depth  | 26.5 inches |

### Louvered Door Ventilation



### Venting

