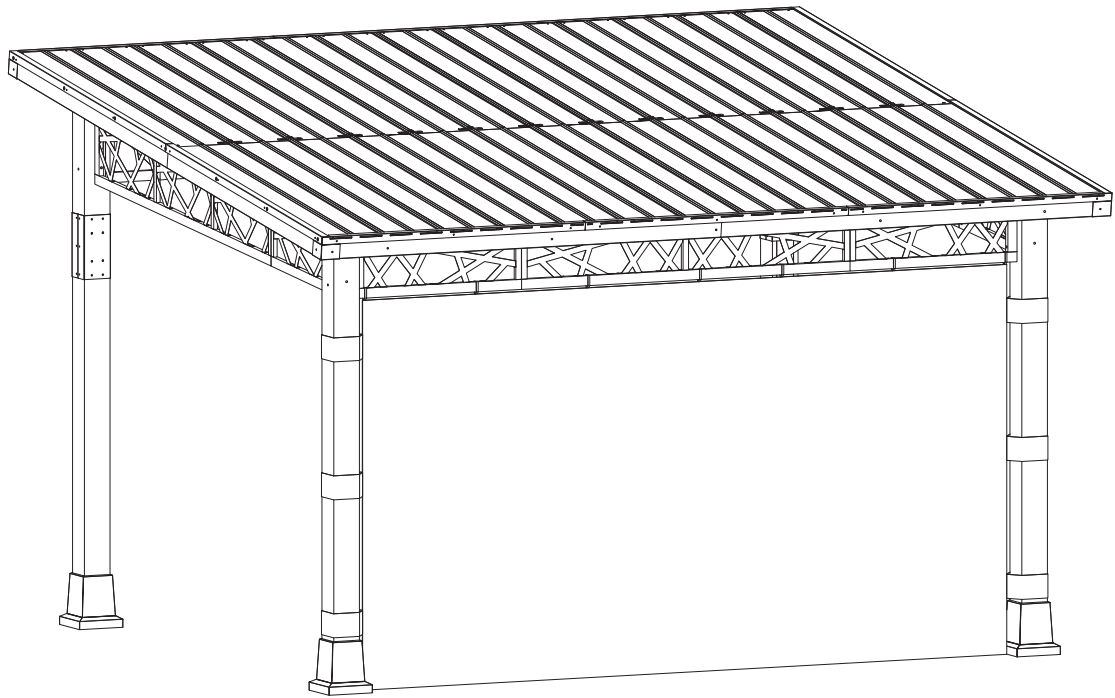


INSTRUCTION MANUAL



12'*14' Gazebo

IF YOU PURCHASED THE GAZEBO ONLINE
AND HAVE ANY QUESTIONS OR CONCERNS

CONTACT US VIA EMAIL, OR PHONE

Email: service2outdoor@gmail.com
TEXT(SMS ONLY): +1 628-263-4608
PHONE: +1 877-561-6450

Date of Manufacture: 2025W03

Warnings and Cautions

Thank you for choosing our gazebo. Please read and understand this entire manual before attempting to assemble or install the product.

GENERAL BESTPRACTICES FOR ASSEMBLY

1. Familiarize yourself with the product and check all parts against the packing list. If any parts are missing or damaged, do not install. Contact us immediately.
2. The assembled gazebo should be located at least 6 feet from any obstructions such as fence, garage, house, overhanging branches, laundry lines or electrical wires.
3. Some parts may contain sharp edges. Wear protective gloves if necessary, during assembly.
4. Check all nuts and bolts periodically for tightness and, when required, tighten them again.
5. Pay attention to the parts orientation.
6. Save all packing materials until assembly is complete to avoid accidentally discarding smaller parts or hardware.

WARNINGS



Keep children and pets away from the working area during assembly and adjustments.

1. Install the gazebo on level ground. Stakes are provided to secure the gazebo to the ground.
2. Do not assemble the gazebo on sandy, muddy, or loose soil, as stakes do not have enough anchorage in these types of soil.
3. If you wish to secure the gazebo to a wood deck or concrete surface, use anchors (not included) suited to these surfaces.
4. Snow must be cleared off regularly during snowy days.
5. To avoid damage, use a plastic snow rake to remove excessive snow and ice buildup from roof and keep away from falling debris.
6. Do not leave the gazebo where there is a risk of high wind, as possible damage will occur to the structure.
7. Any assembly or maintenance of the product must be carried out by adults only.
8. Please check your state and local regulations prior to purchasing. Some jurisdictions may require permits for installation and use. Some special procedures may be valid in your area.
9. If any scratchpaint, please touch up to prevent rusting.
10. Never leave children unsupervised around or under the gazebo.
11. Do not climb onto the gazebo or hanging heavy things on it.

12. For outdoor use only. The product has been tested for Class 9 wind resistance (54 MPH) and has a maximum ceiling carrying capacity of 2,800 pounds.

WARRANTY

WHAT IS COVERED?

The limited warranty is extended to the original purchaser and applies to material and manufacturer's defect provided the item is maintained with care and used only for personal residential purposes.

Warranty: 1 Year

Lost Accessories or Parts Policy : Lost accessories or parts costs will be incurred after 90 days of the date of purchase.

MAINTENANCE

1. Steel components for this gazebo are treated with rust inhibiting paint that protects it from rusting. However, due to the nature of steel, surface oxidation (rusting) will occur if these protective coatings are scratched. This is not a defect and thus not covered by the warranty.
2. To minimize this condition, it is recommended to use care when assembling and handling the product to prevent scratching the paint. Should any scratching or damage occur, it is recommended to cover the scratch immediately with rust inhibiting paint (not included).
3. Surface rust can also be easily removed with a very light application of regular cooking oil or WD - 40. If surface oxidation (rusting) occurs and if no measure is taken to prevent this, the oxidation may start dripping onto deck or patio and cause damaging stains, which may be difficult to remove. This can be prevented if the above - mentioned measures are taken to keep the product from oxidizing.
4. Do not use bleach, acid, or other abrasive cleaners on the roof or frame parts.
5. Keep instruction manual for future reference.
6. Periodically check and ensure that all bolts are well - tighten during use
7. The lumber is Chinese cedar, cedar is the best natural preserved lumber, we have done coating treated to prevent fiber decay and anti-UV. you may redo the coating treated every 1 years on the lumber surface. you could buy the painting in Home depot or Lowe's. hope this helps.

Tools Needed (Not Included)



Pistol Drill



Tape Measure



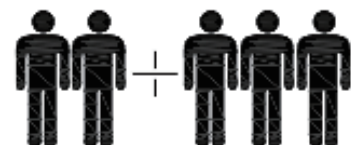
Hammer



Screwdriver

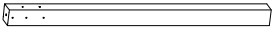

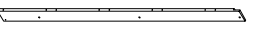








Ladder

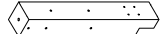
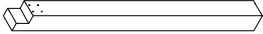
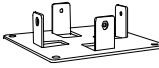
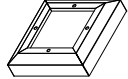
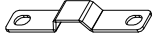
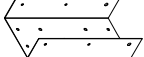




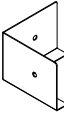
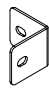


5 people

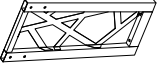
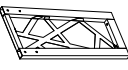



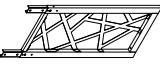



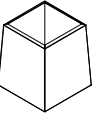
(BOX A) PARTS LIST

03	10	11	12	13
				
2 PCS	2 PCS	2 PCS	2 PCS	2 PCS
B2	B4	C2	C5	
				
1 PC	1 PC	1 PC	1 PC	









(BOX B) PARTS LIST

01	02	M	N2	S
				
2 PCS	2 PCS	4 PCS	4 PCS	12 PCS
Y1	Y2	Y3	Y4	Y5
				
4 PCS	11 PCS	3 PCS	3 PCS	5 PCS
Y6	Y7			
				
4 PCS	4 PCS			

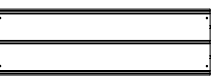

(BOX C) PARTS LIST

B1 	B3 	C1 	C3 	C4 
1 PC	1 PC	1 PC	1 PC	1 PC
C6 	K3 	K4 	K5 	N3 
1 PC	2 PCS	2 PCS	2 PCS	4 PCS


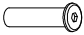
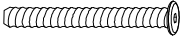
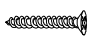
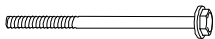
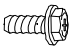



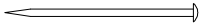

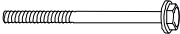
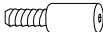
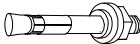
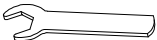


(BOX D) PARTS LIST

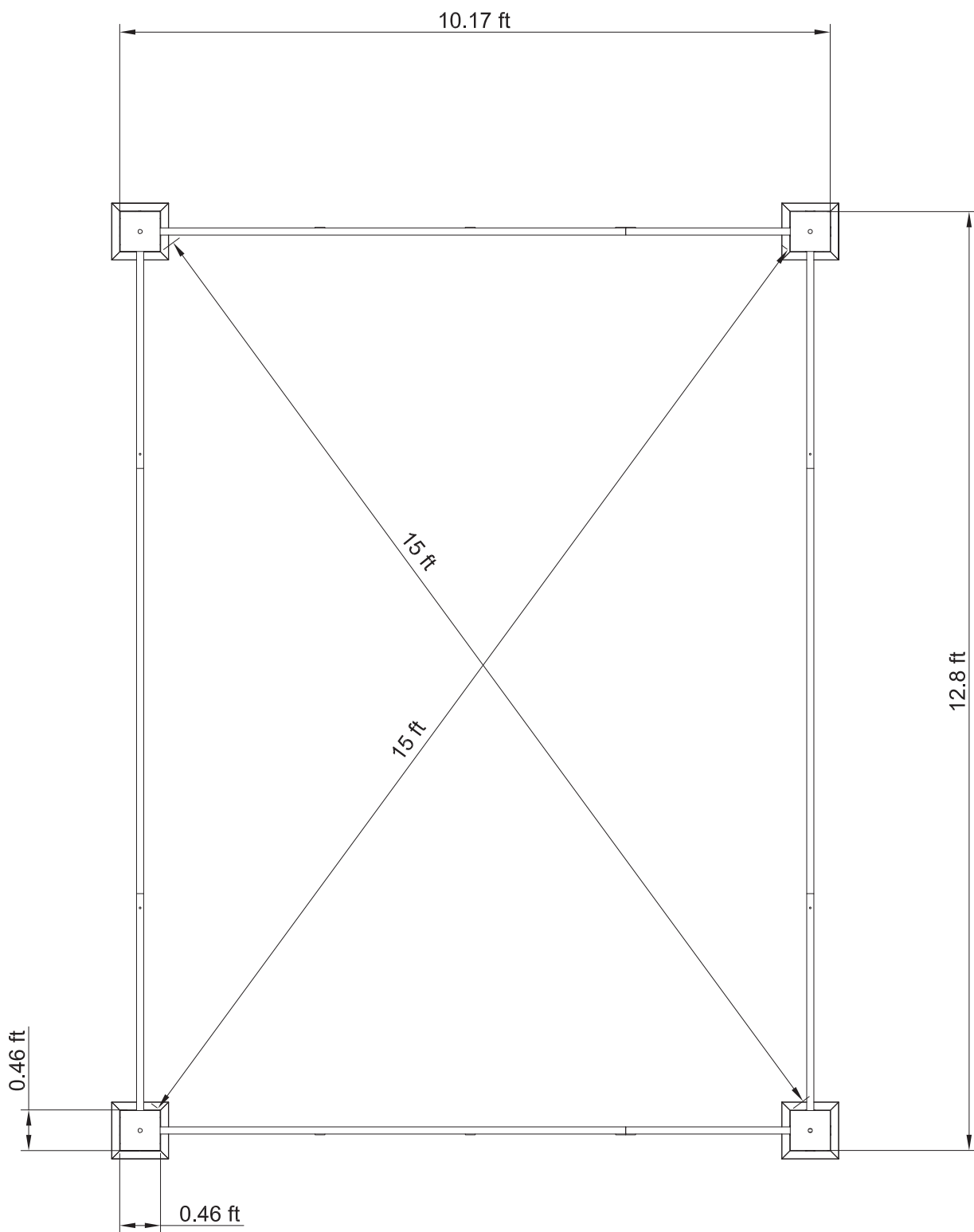
A5 	A6 	A7 	A8 	H3 
2 PCS	2 PCS	3 PCS	3 PCS	2 PCS
H4 	K1 	K2 		
12 PCS	2 PCS	2 PCS		

(BOX E) PARTS LIST

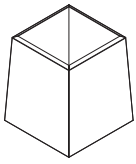
V 	R2 			
26 PCS	1 PC			

(BOX E) Hardware List

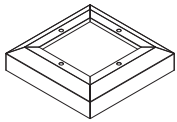
<p>AA</p>  <p>M5x15</p>	<p>BB</p>  <p>M6x40</p>	<p>CC</p>  <p>M6x120</p>	<p>DD</p>  <p>M5x25</p>	<p>EE</p>  <p>M8x210</p>
<p>126+10 PCS</p>	<p>16+3 PCS</p>	<p>16+3 PCS</p>	<p>16+3 PCS</p>	<p>16+3 PCS</p>
<p>GG</p>  <p>M6x15</p>	<p>KK</p>  <p>M6</p>	<p>LL</p>  <p>M8</p>	<p>NN</p>  <p>M8</p>	<p>PP</p>  <p>D8x180</p>
<p>160+10 PCS</p>	<p>26+3 PCS</p>	<p>20+3 PCS</p>	<p>20+3 PCS</p>	<p>8 PCS</p>
<p>QQ</p>  <p>M6x40</p>	<p>RR</p>  <p>M8x190</p>	<p>TT</p>  <p>M6x35</p>	<p>UU</p>  <p>M6x80</p>	<p>Z1</p>  <p>M6</p>
<p>24+3 PCS</p>	<p>4+1 PCS</p>	<p>35+3 PCS</p>	<p>8 PCS</p>	<p>2 PCS</p>
<p>Z2</p>  <p>M6</p>	<p>Z3</p>  <p>M8</p>			
<p>2 PCS</p>	<p>2 PCS</p>			



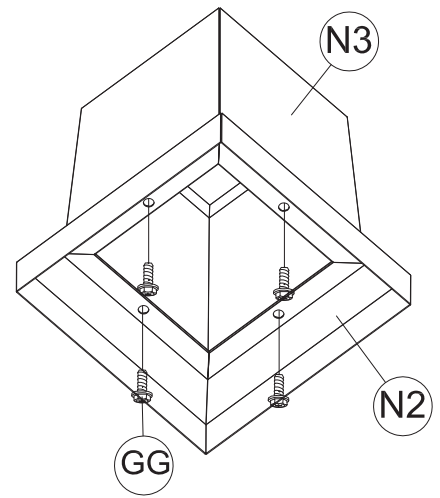
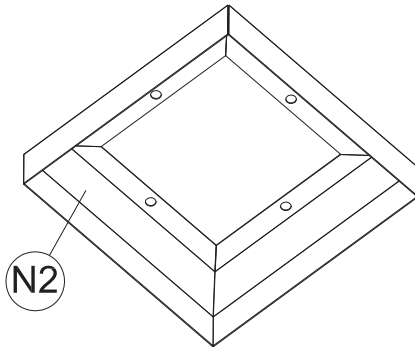
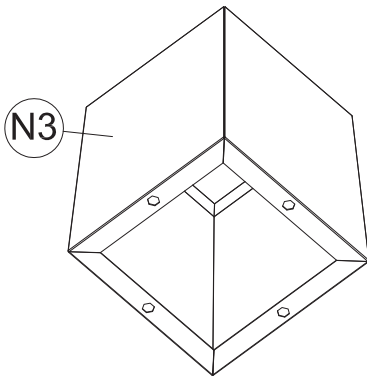
1



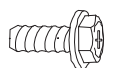
N3 4x



N2 4x

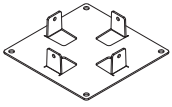


GG 16x

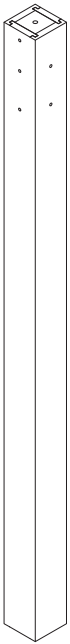


M6x15

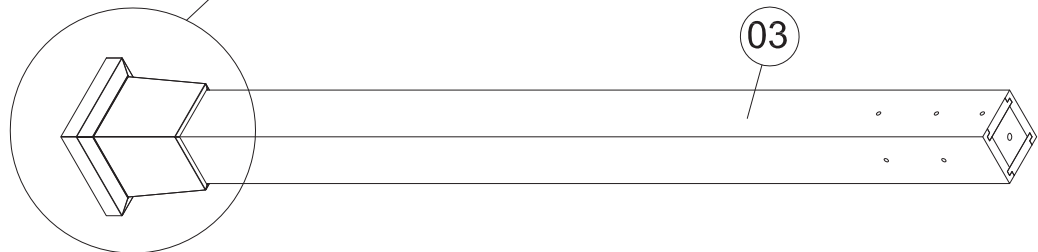
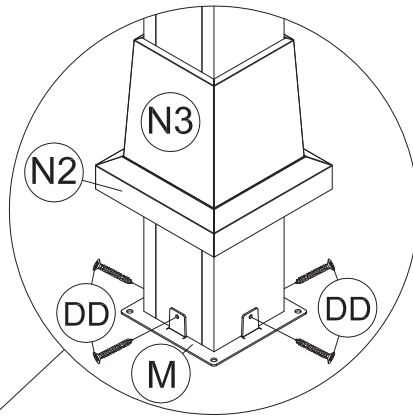
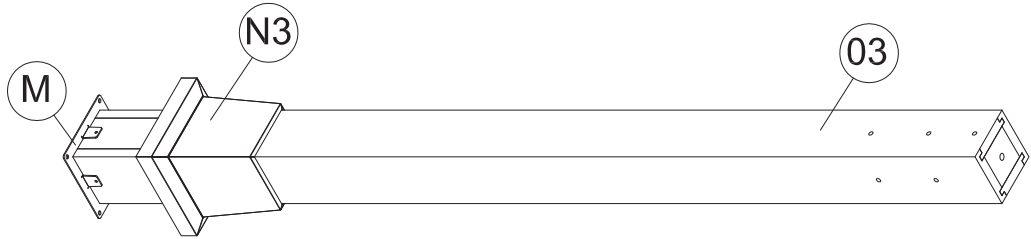
2



M 2x



03 2x

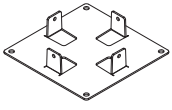


DD 8x

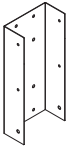


M5x25

3



M 2x



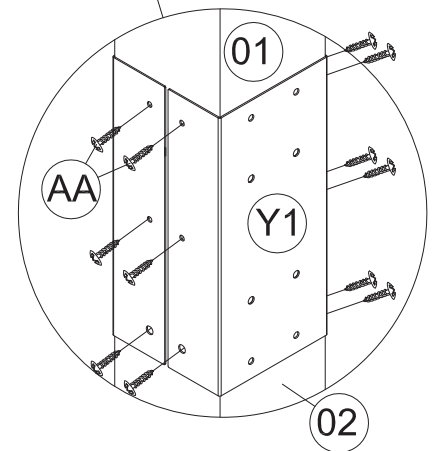
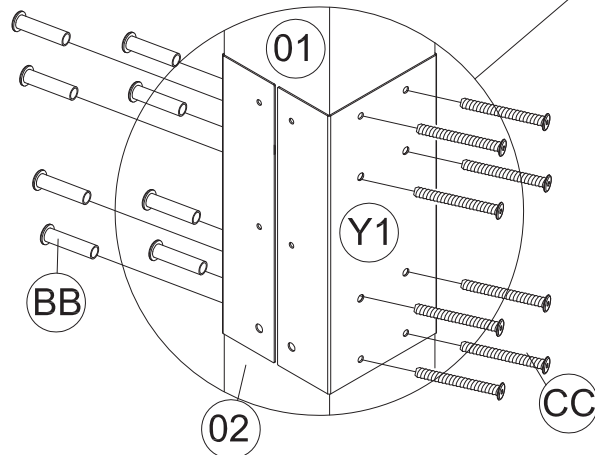
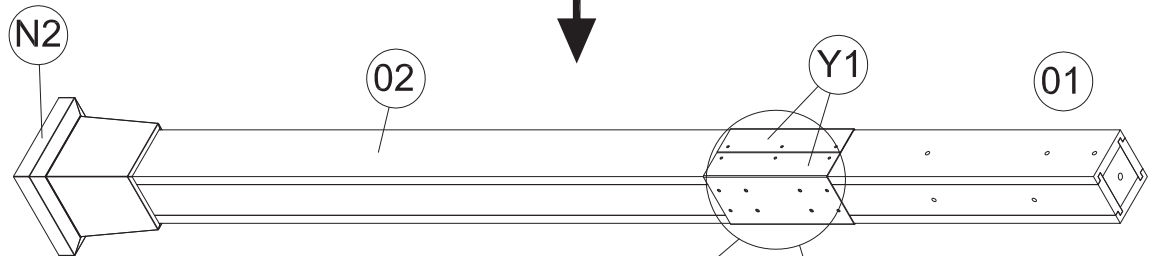
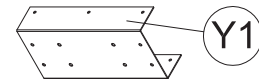
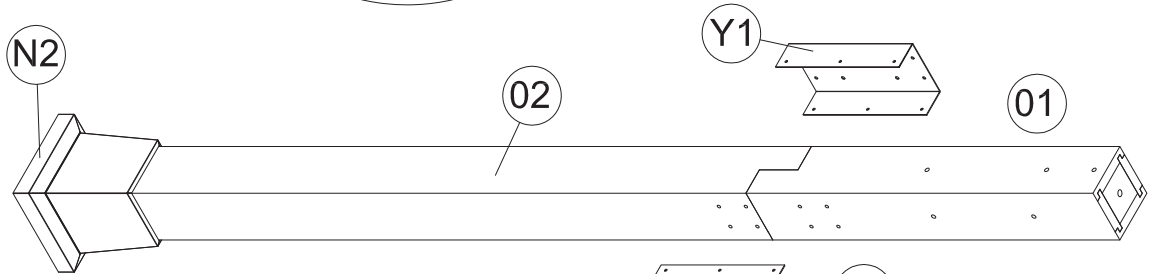
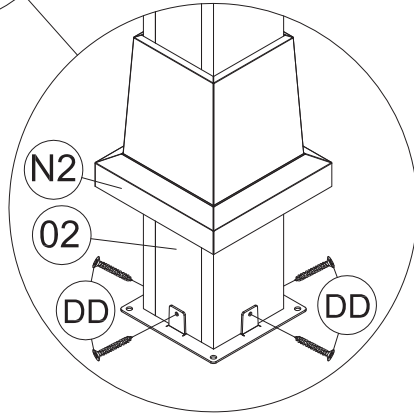
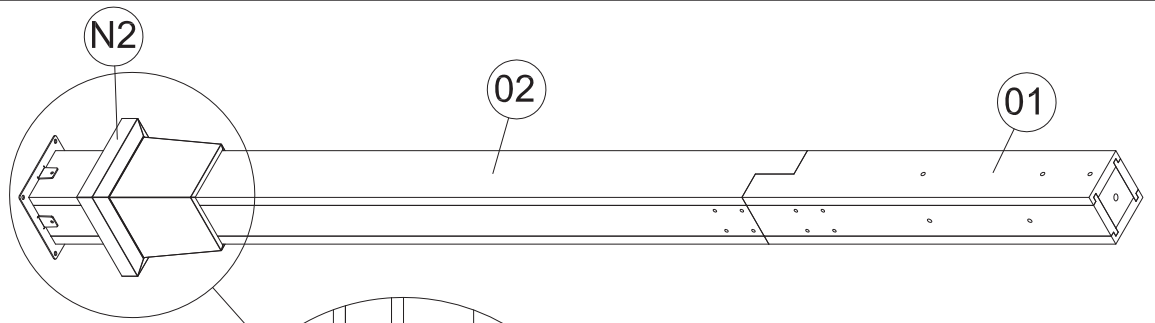
Y1 4x



01 2x



02 2x

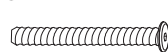


DD 8x



M5x25

CC 16x



M6x120

BB 16x



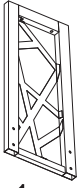
M6x40

AA 24x

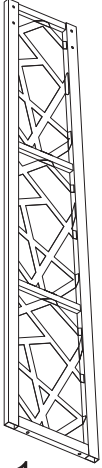


M5x15

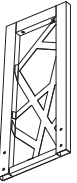
4



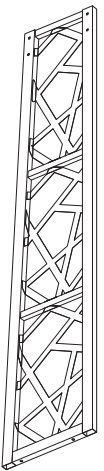
B1 1x



B2 1x



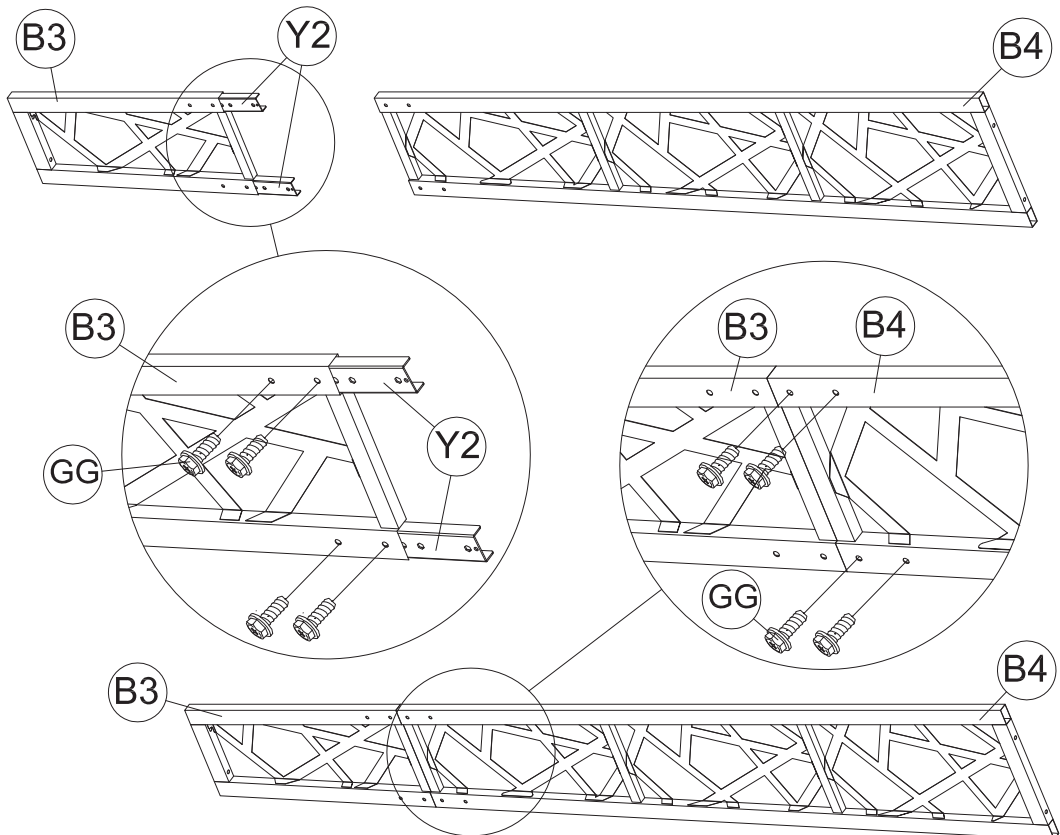
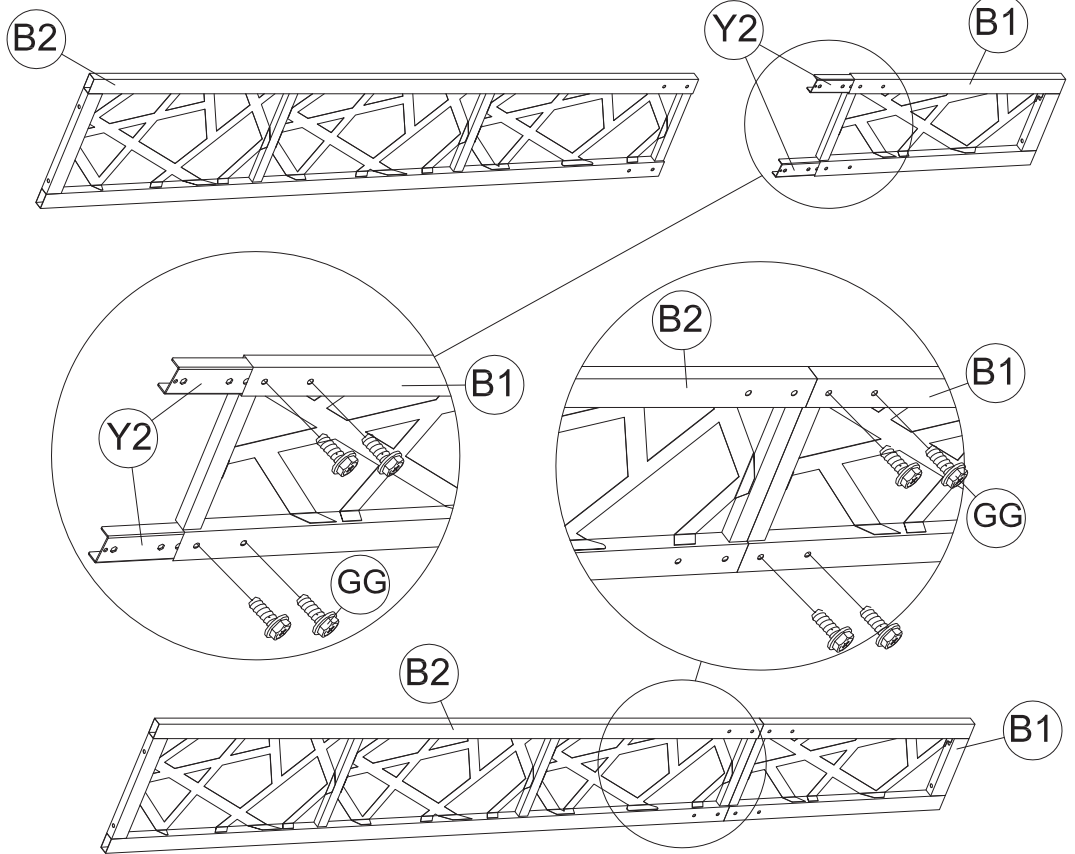
B3 1x



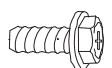
B4 1x



Y2 4x

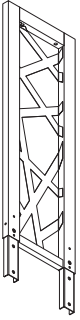


GG 16x

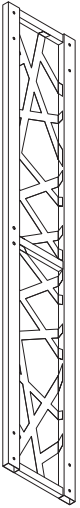


M6x15

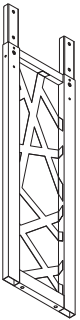
5



C1 1x



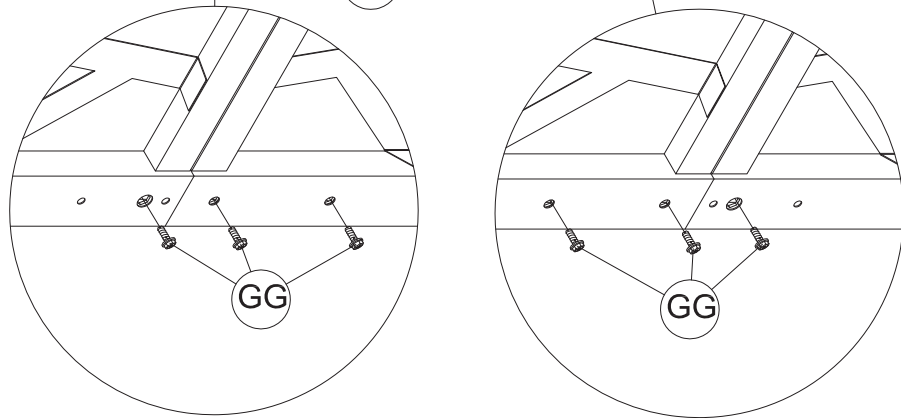
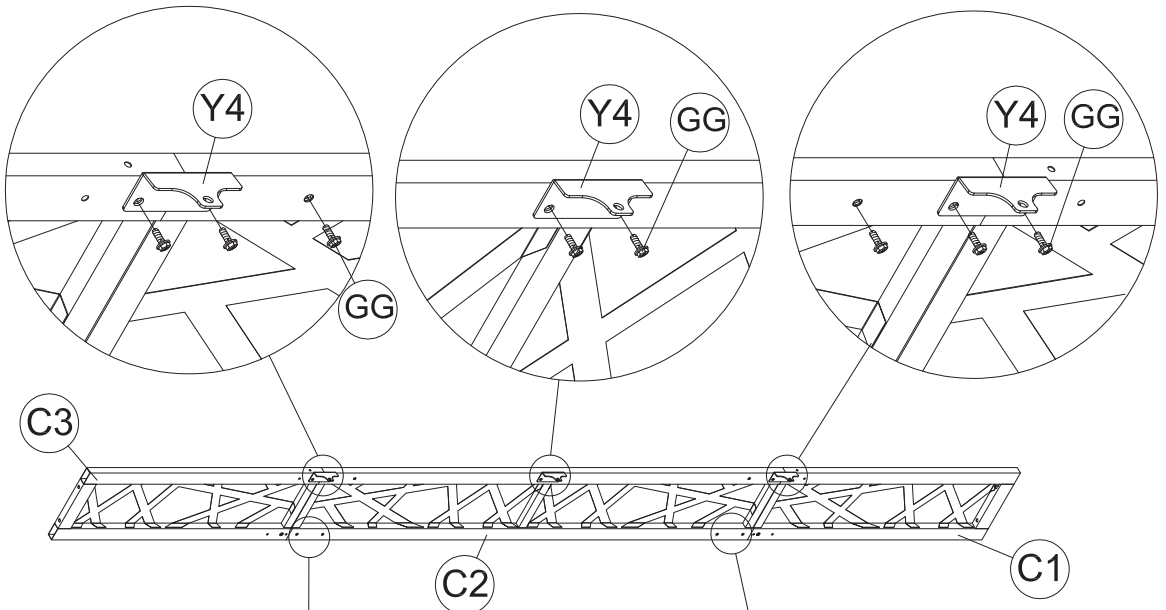
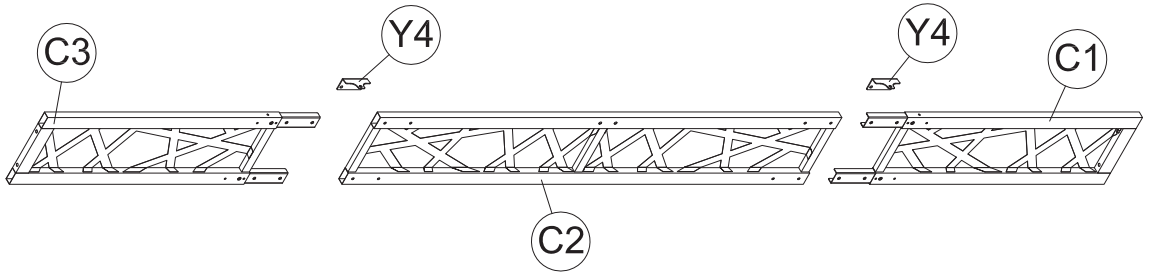
C2 1x



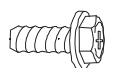
C3 1x



Y4 3x

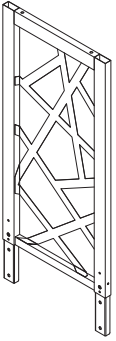


GG 14x

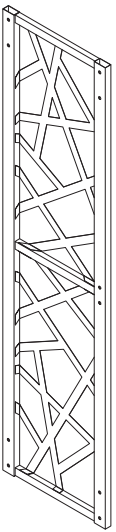


M6x15

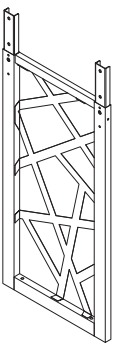
6



C4 1x



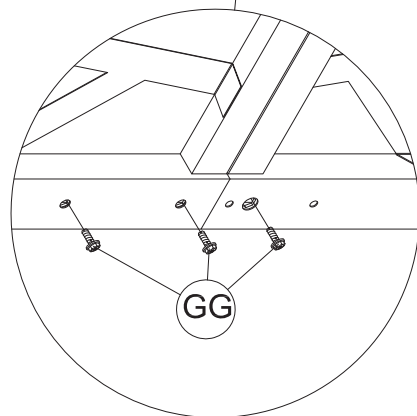
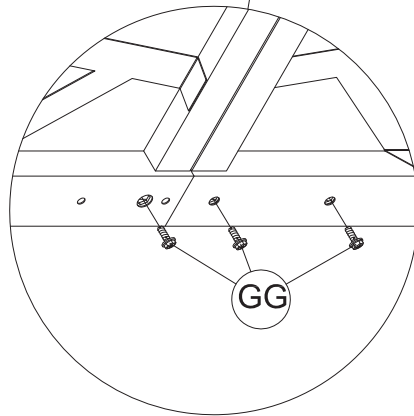
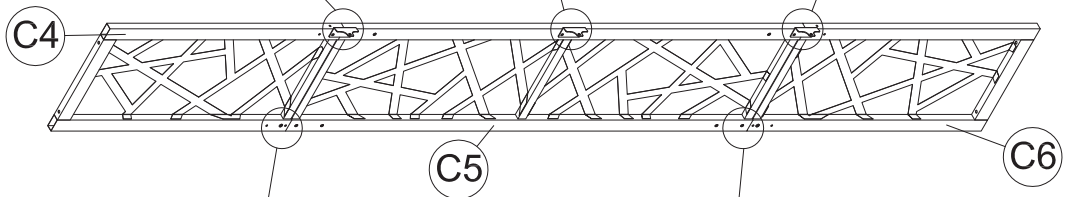
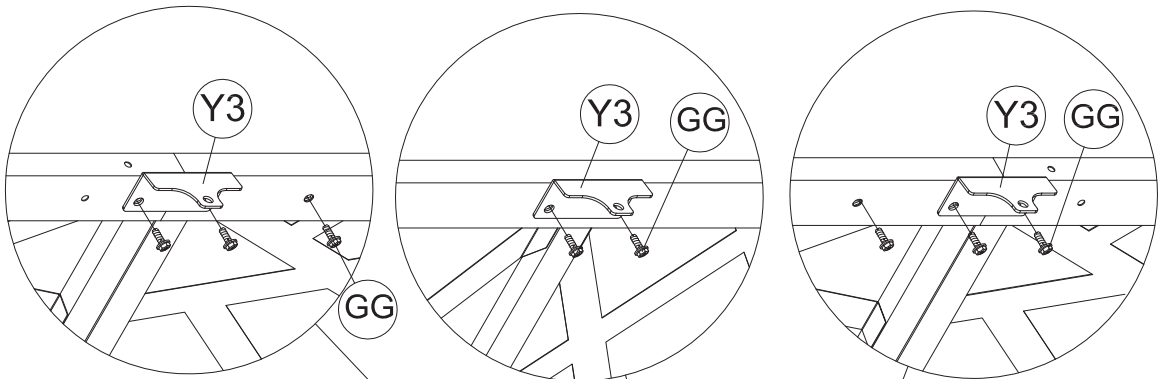
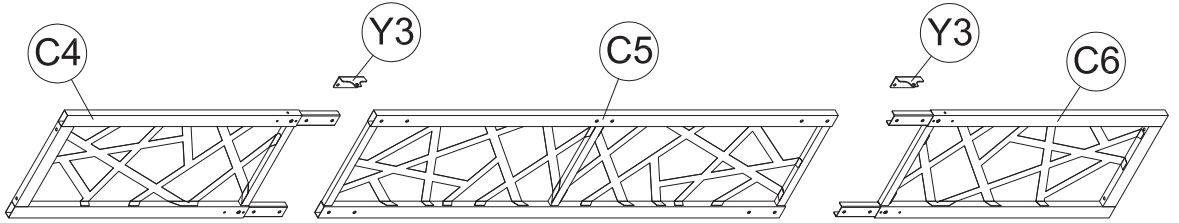
C5 1x



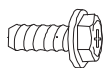
C6 1x



Y3 3x

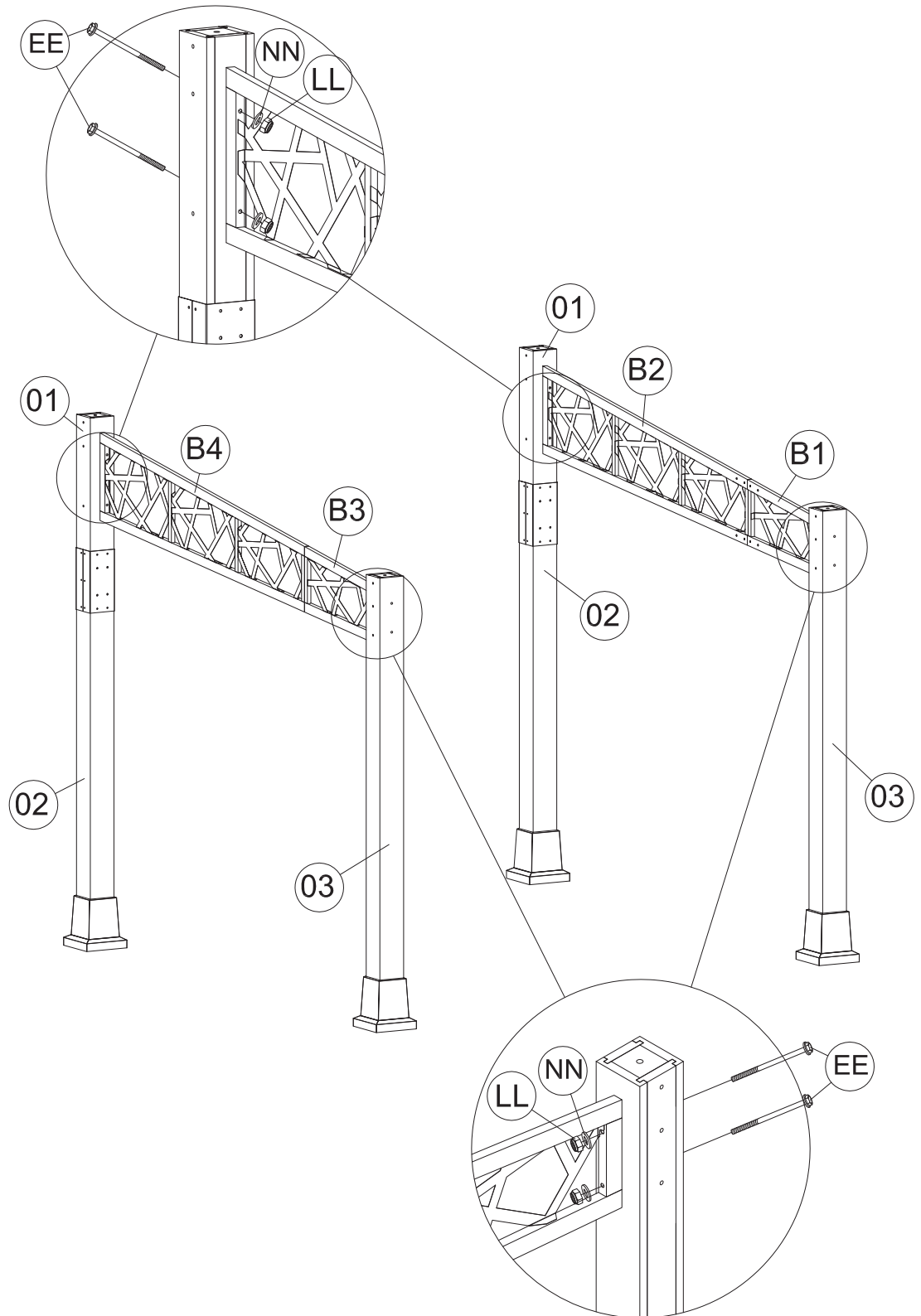




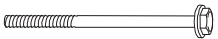
GG 14x

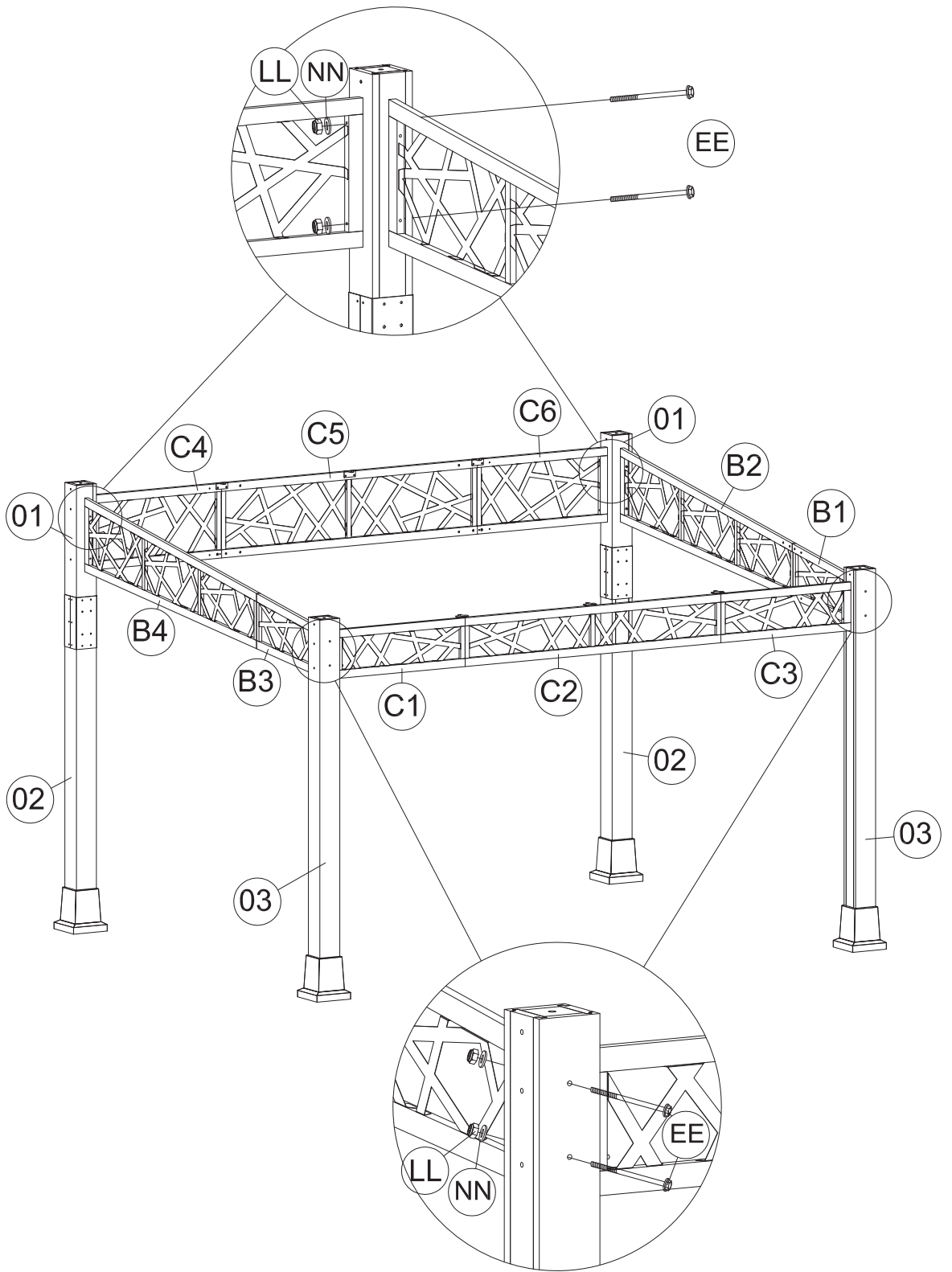





M6x15

Tip: Post and beam assembly, please observe the picture post lead hole position in the direction!



<p>(NN) 8x</p>  <p>M8</p>	<p>(LL) 8x</p>  <p>M8</p>	<p>(EE) 8x</p>  <p>M8x210</p>
--------------------------------------------------------------------------------------------------------------	----------------------------------------------------------------------------------------------------------------	--------------------------------------------------------------------------------------------------------------------



<p>NN 8x</p>  <p>M8</p>	<p>LL 8x</p>  <p>M8</p>	<p>EE 8x</p>  <p>M8x210</p>
-------------------------------------------------------------------------------------------------------------------	---------------------------------------------------------------------------------------------------------------------	-------------------------------------------------------------------------------------------------------------------------

9



A5 2x



A6 2x



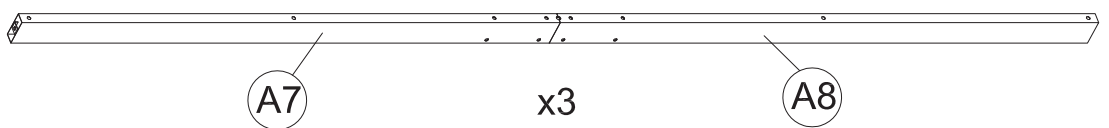
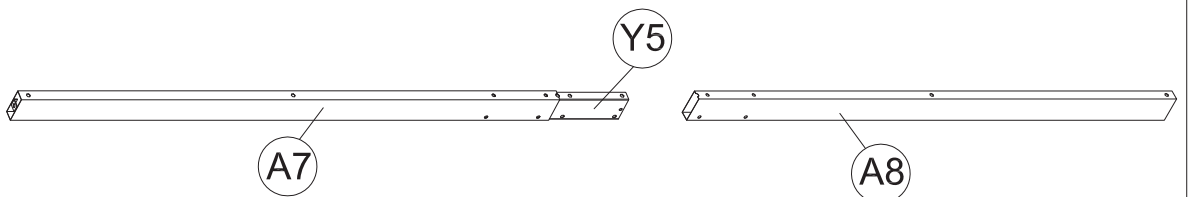
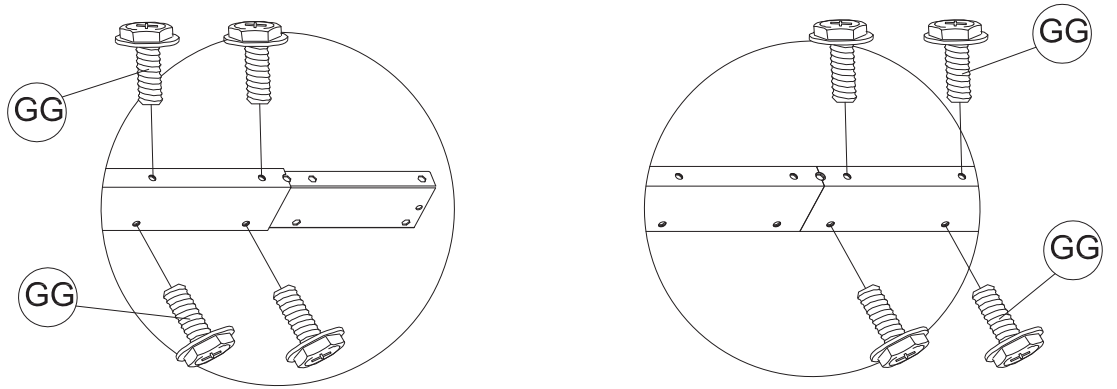
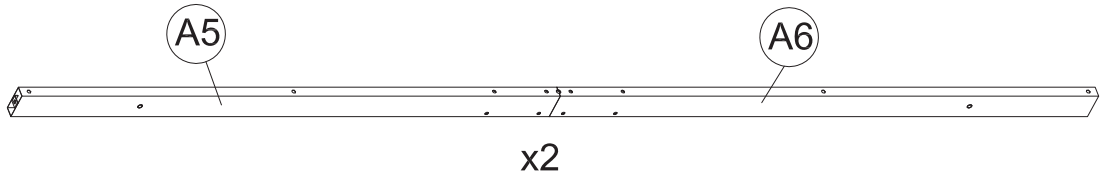
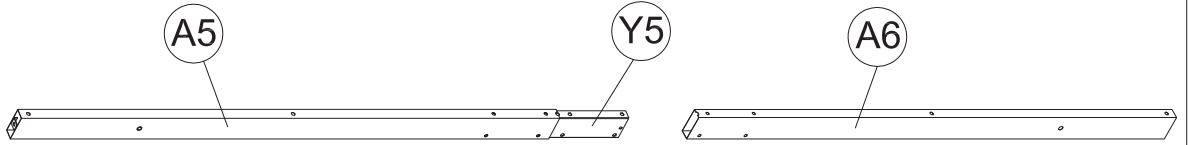
A7 3x



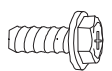
A8 3x



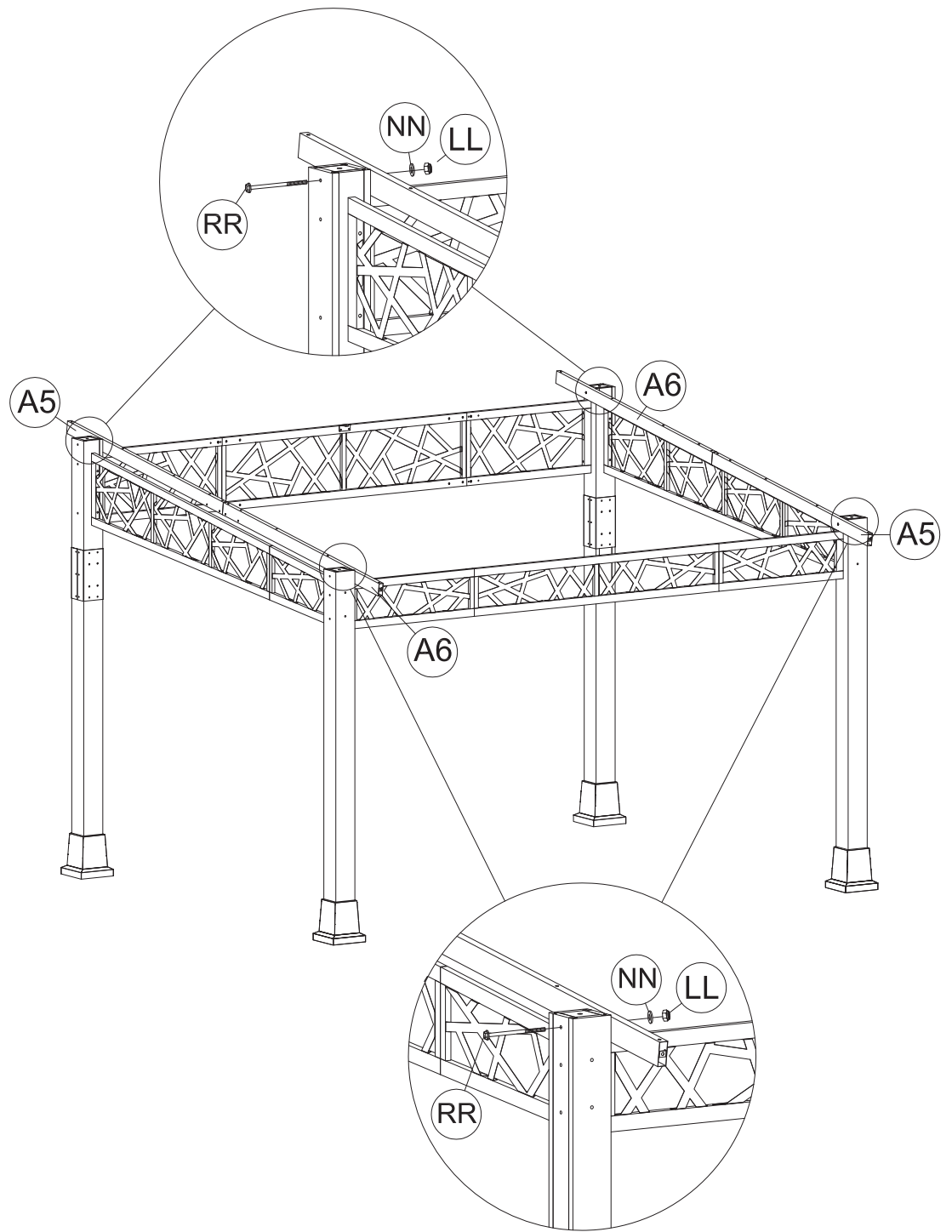
Y5 5x






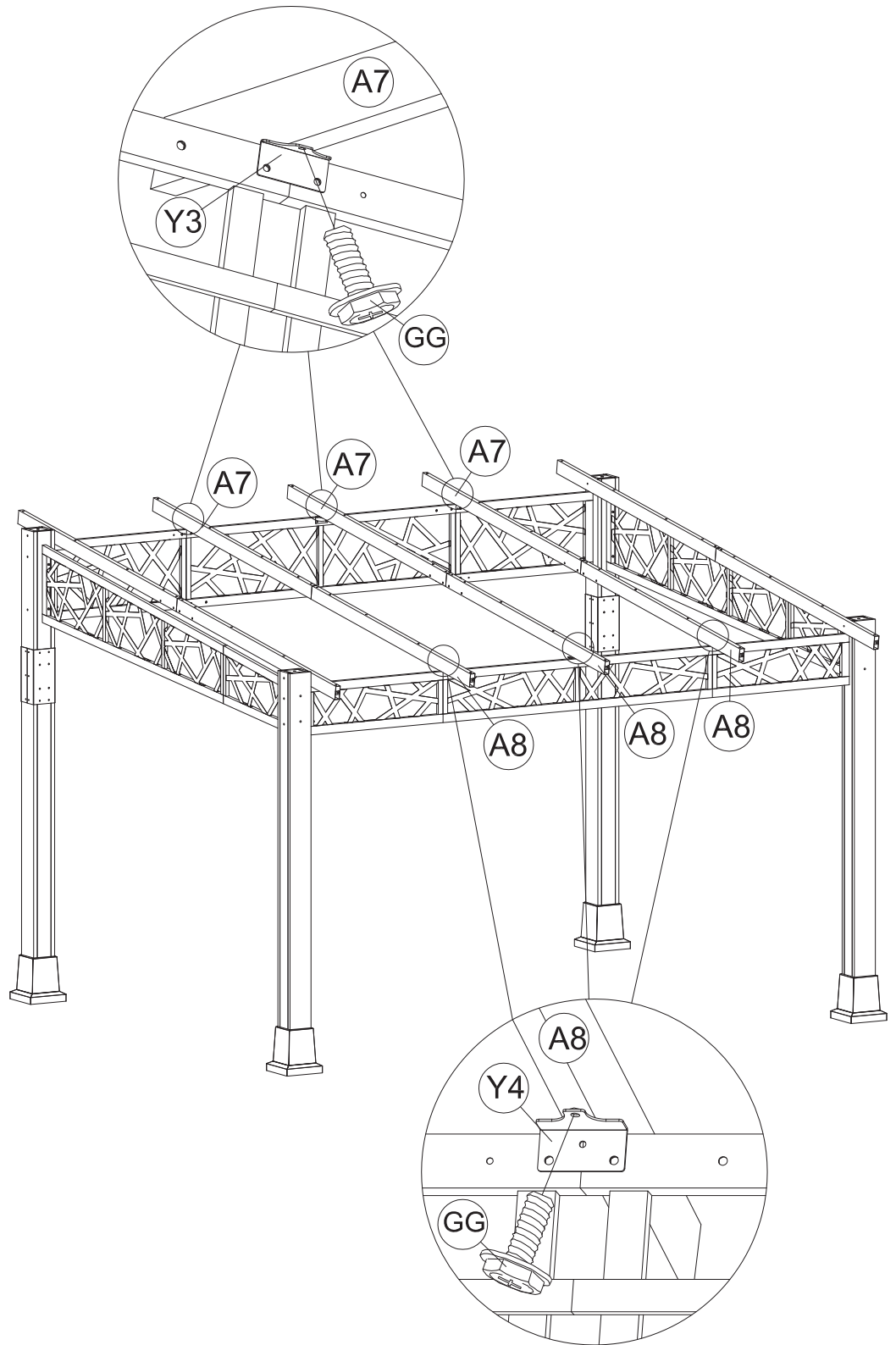
GG 40x



M6x15

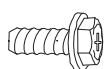


<p>Ⓝ 4x</p>  <p>M8</p>	<p>ⓁⓁ 4x</p>  <p>M8</p>	<p>ⓇⓇ 4x</p>  <p>M8x190</p>
-----------------------------------------------------------------------------------------------------------	--------------------------------------------------------------------------------------------------------------	------------------------------------------------------------------------------------------------------------------



Note: A7 A8 parts do not need to be locked tightly for subsequent installation

GG 6x



M6x15

12



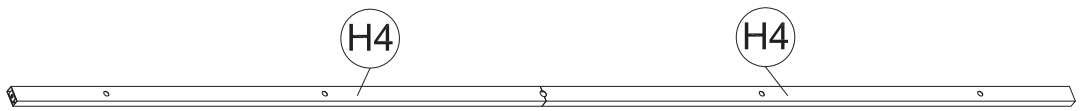
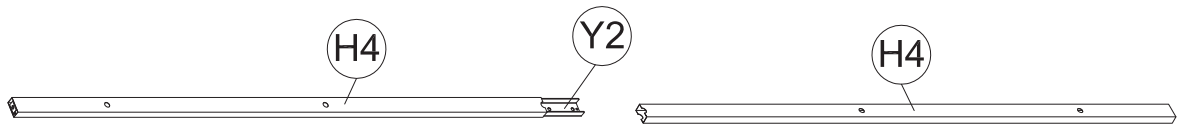
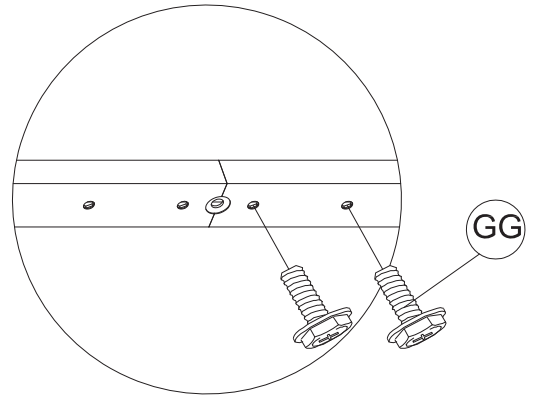
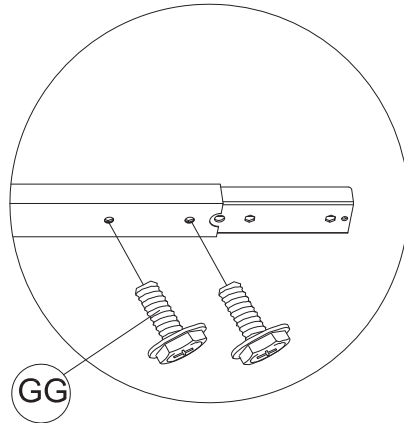
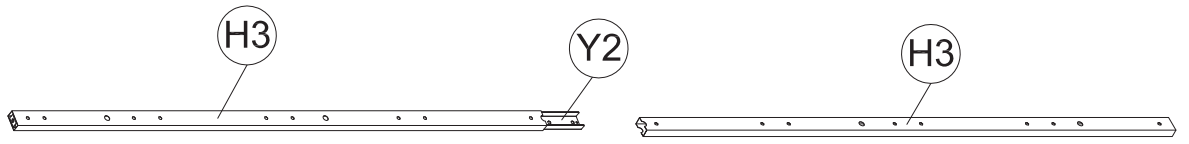
H3 2x



H4 12x

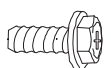


Y2 7x

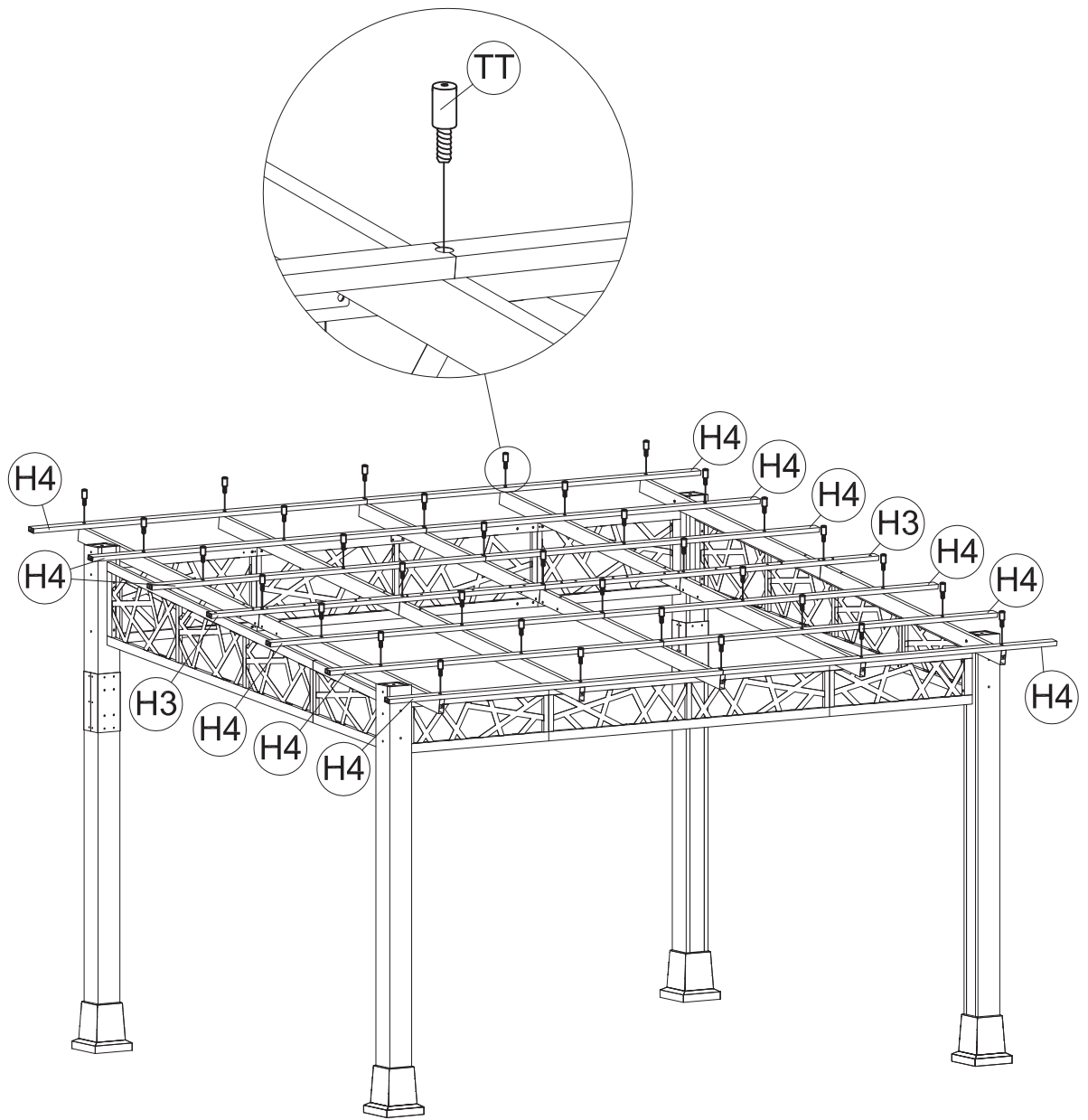


x6

GG 28x



M6x15



TT 35x



M6x35

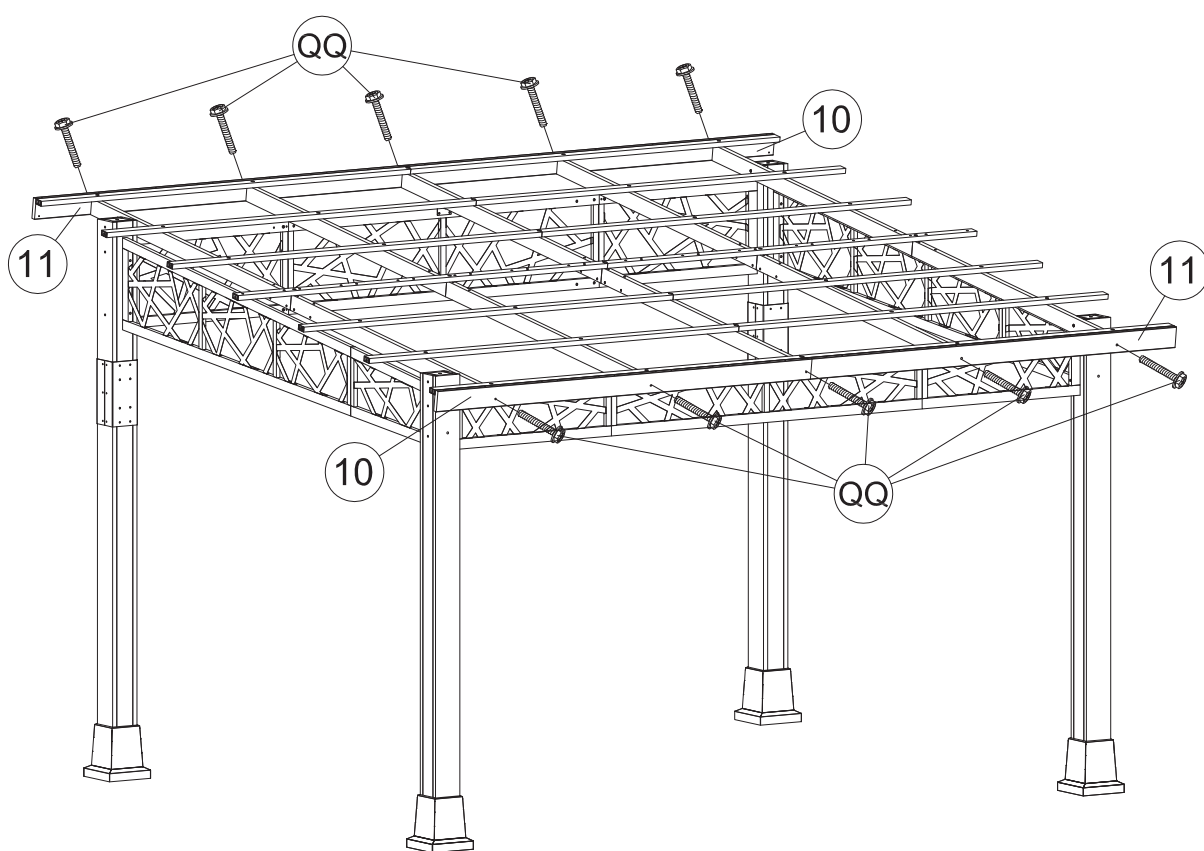
14



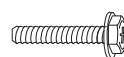
10 2x



11 2x



QQ 10x



M6x40

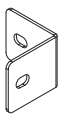
15



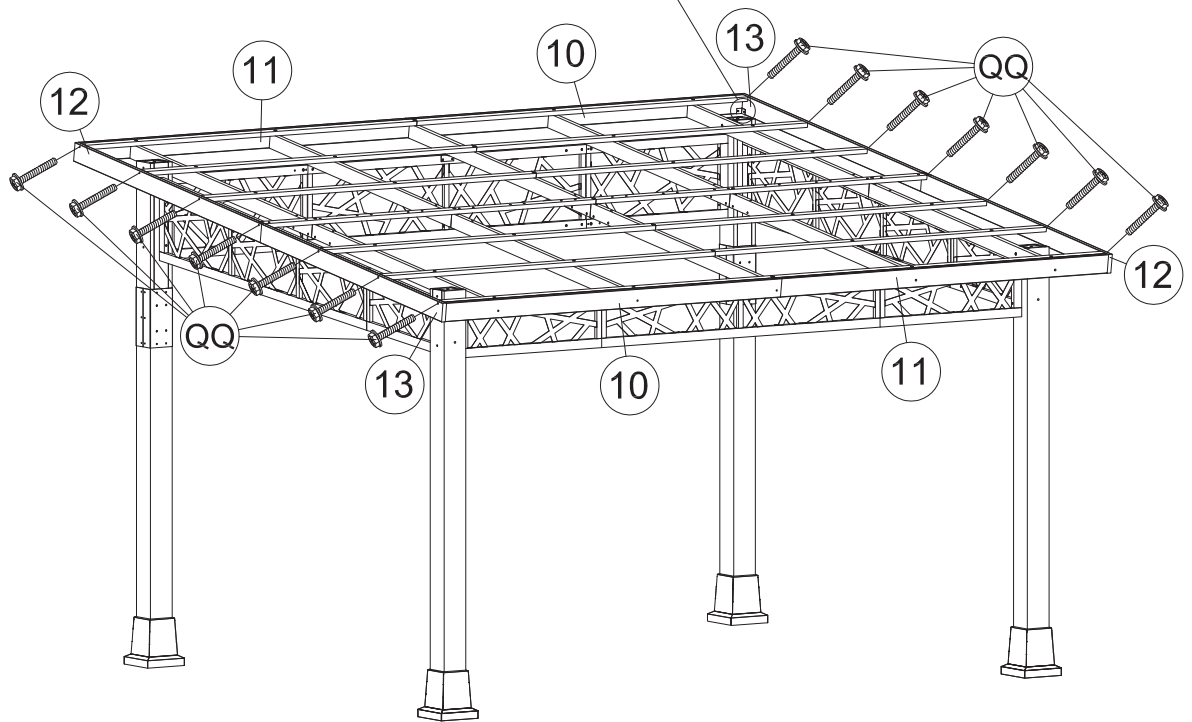
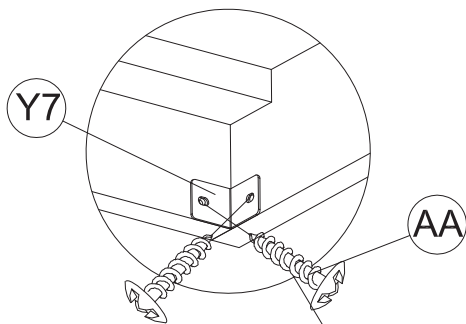
12 2x



13 2x



Y7 4x

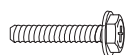


AA 8x



M5x15

QQ 14x

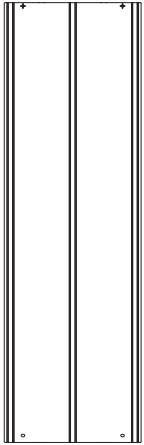


M6x40

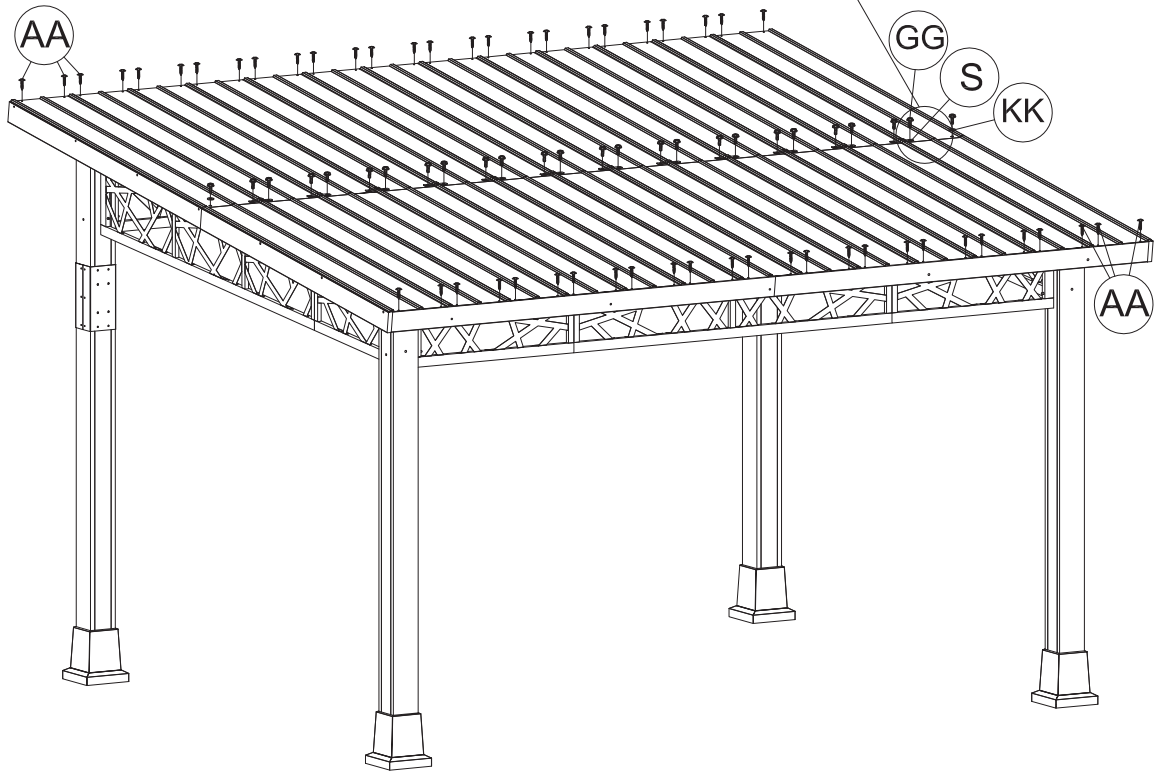
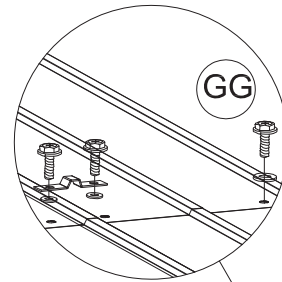
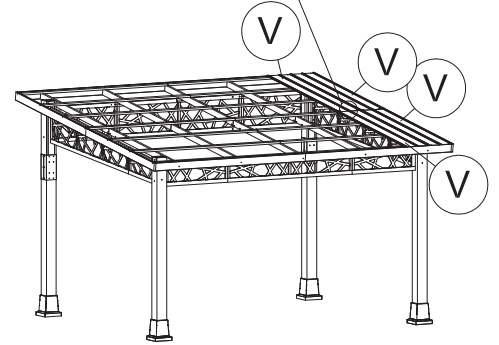
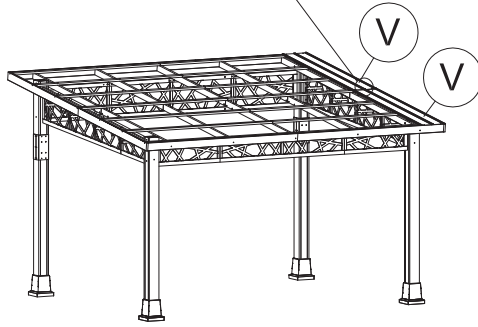
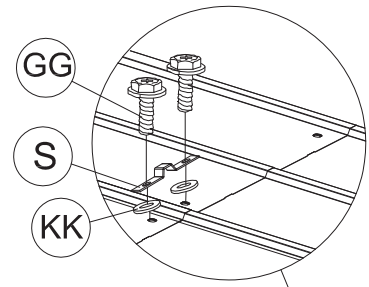
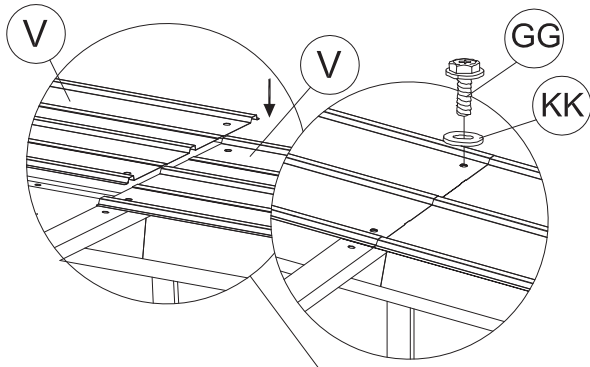
16



S 12x



V 26x



KK 26x



M6

AA 52x



M5x15

GG 26x



M6x15

17



(K4) 2x



(K1) 2x



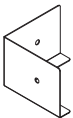
(K2) 2x



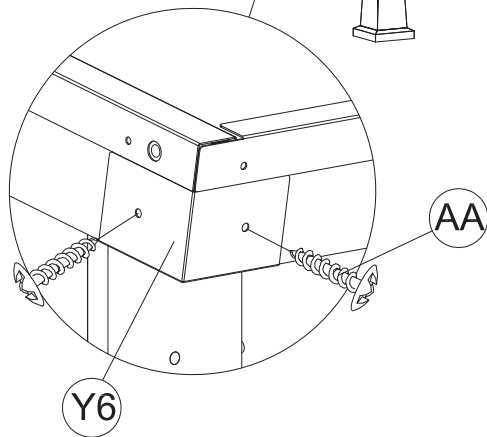
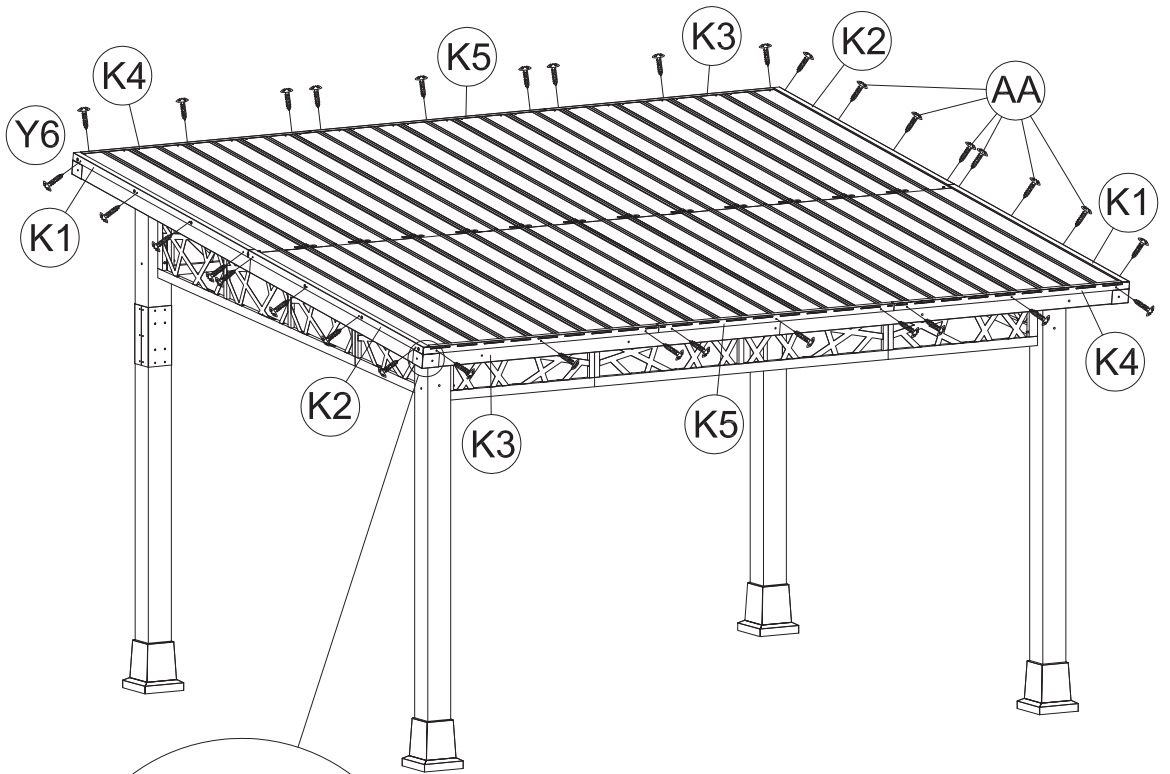
(K3) 2x



(K5) 2x



(Y6) 4x

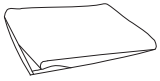


(AA) 42x



M5x15

18



R2 1x

TIPS

The sunshade storage bag can store small or light items.



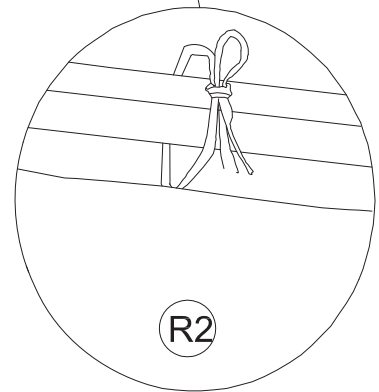
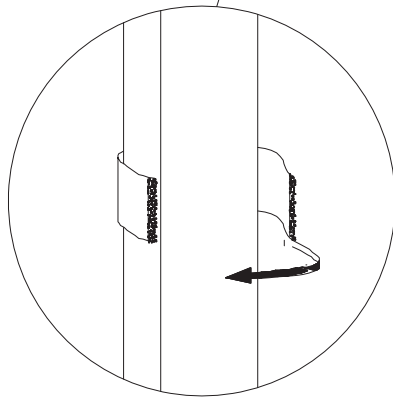
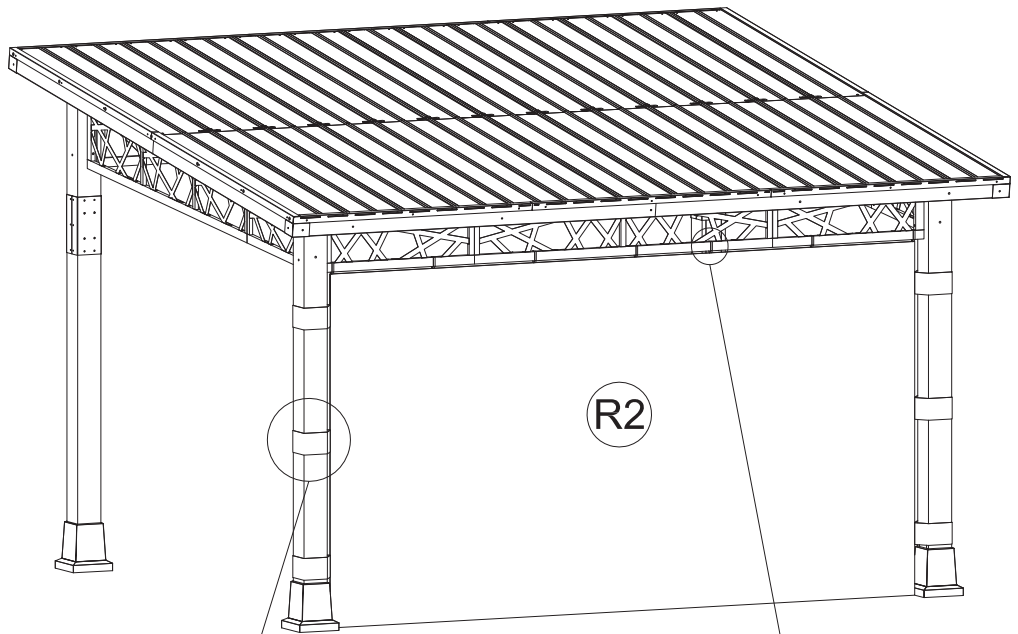
Please refer to the load bearing tips in the picture

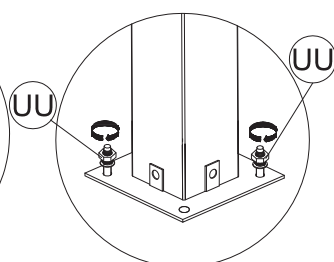
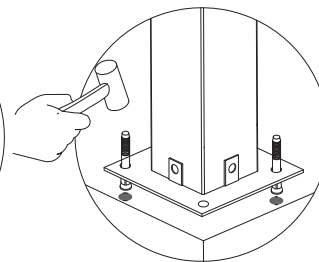
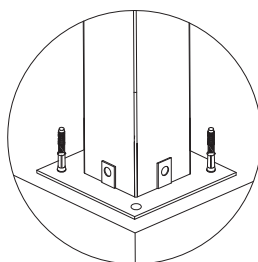
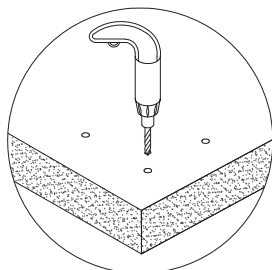
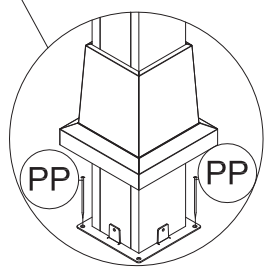
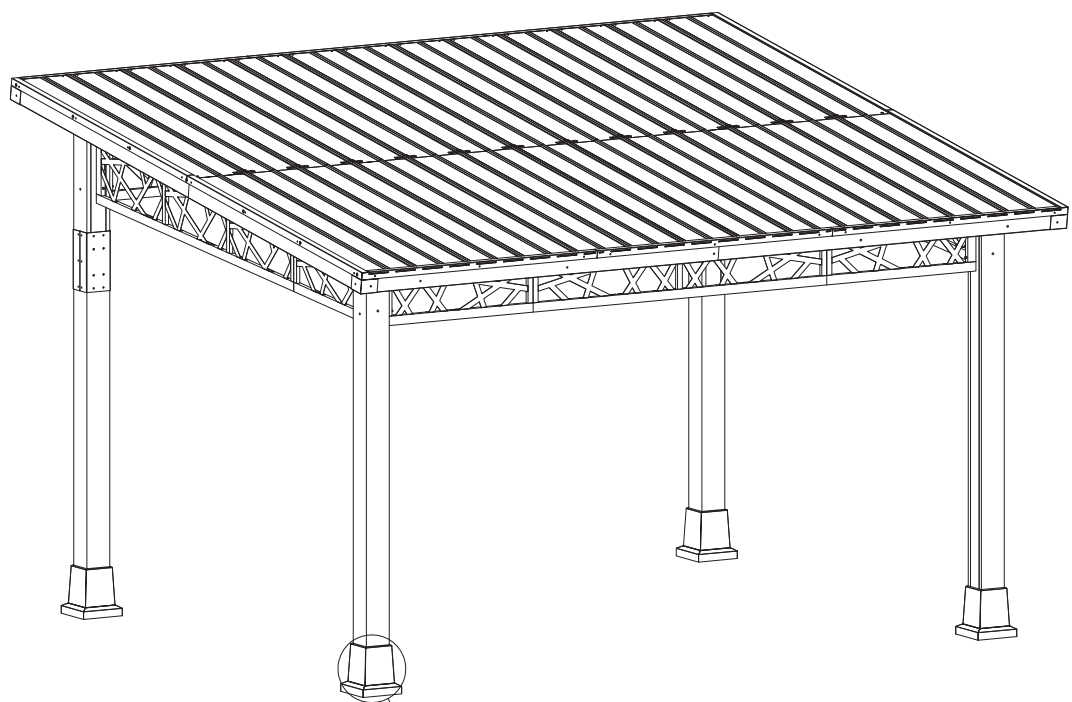
Don't put items exceeding the recommended weight limit.
Don't put electronics in storage bags during hot or bad weather.

 **5lbs** 

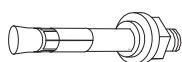
 **8lbs** 

 **10lbs** 



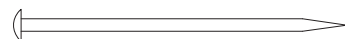


UU 8x



M6x80

PP 8x



D8x180