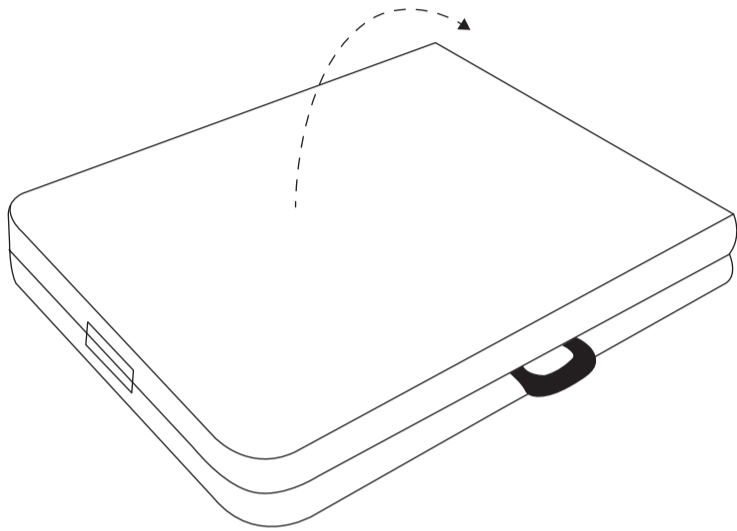


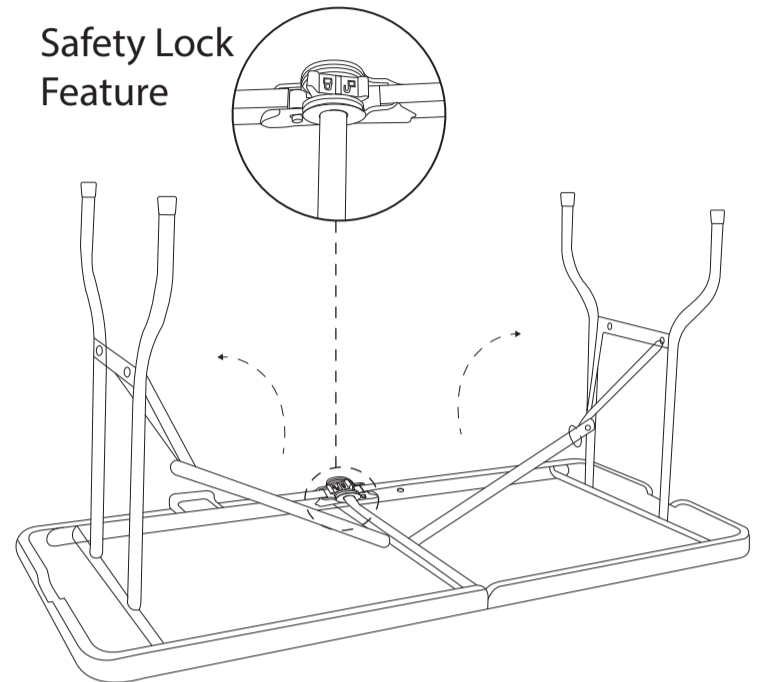
# Folding Table Assembly Instructions

## STEP 1



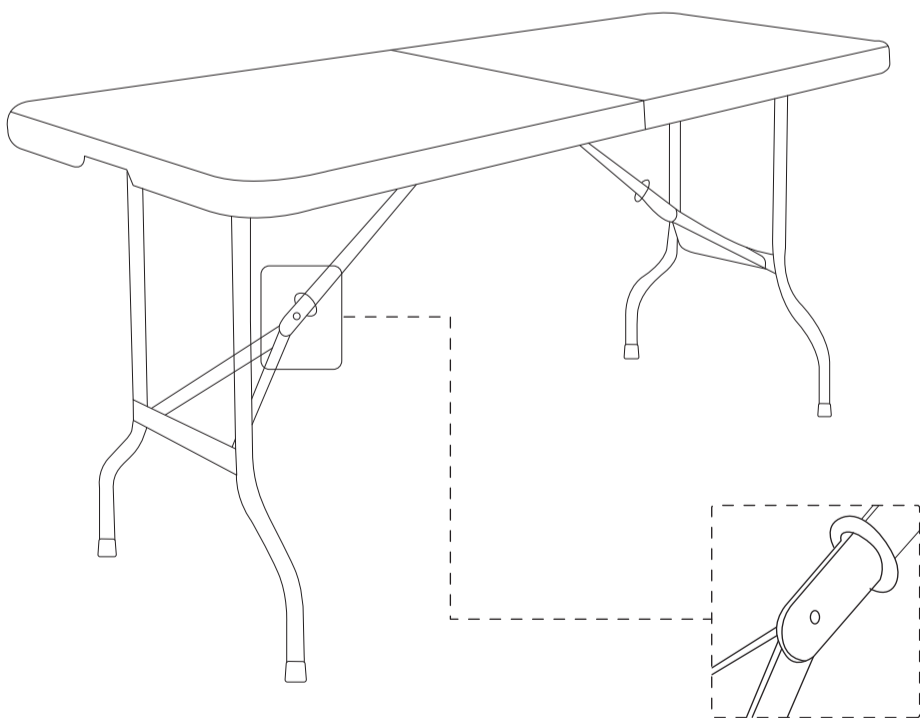
Unfold the folded table by pulling the side opening apart

## STEP 2



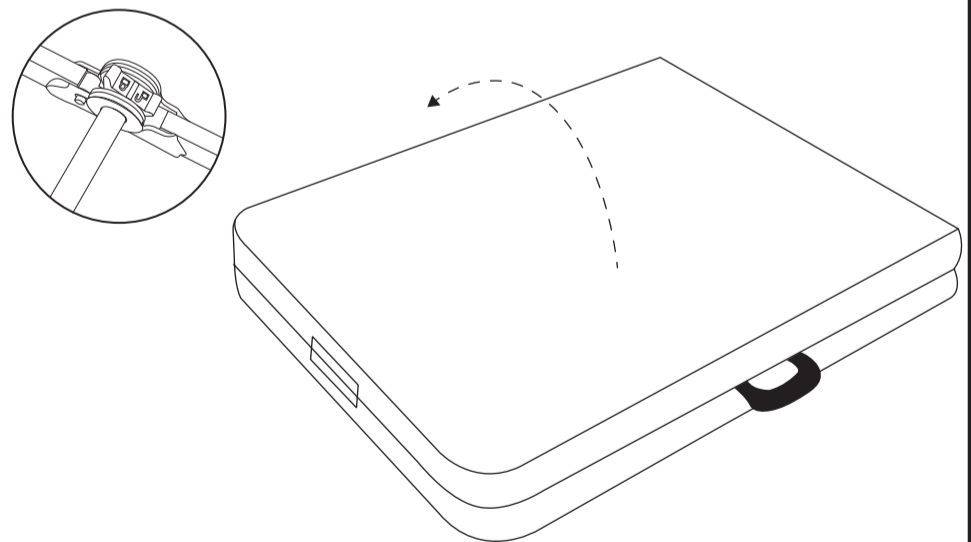
Pull open both the table legs so they are fully stretched

## STEP 3



Slide the round ring into the joint to secure the legs when upright

## STEP 4



Press the lever in the middle to unlock the legs to unfold, allowing the legs to fold back into original position