

# Bucket cabinet

## Assembly Instructions



### Dimensions

Width - 120CM

Depth - 40CM

Height - 82CM

**Important – Please read these instructions fully before starting assembly**



# Safety and Care Advice

**Important – Please read these instructions fully before starting assembly**

- Check you have all the components and tools listed on the following pages.
- Remove all fittings from the plastic bags and separate them into their groups.
- Keep children and animals away from the work area, small parts could choke if swallowed.
- Make sure you have enough space to layout the parts before starting.

- During assembly do not stand or put weight on the product, this could cause damage.
- Assemble the item as close to its final position (in the same room) as possible.
- Assemble on a soft level surface to avoid damaging the unit or your floor.
- Parts of the assembly will be easier with 2 people.



- To reduce the likelihood of damaging your product please ensure that your power drill is set on a low torque setting.

## Care and maintenance

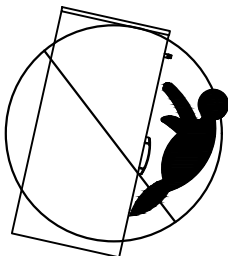
- Only clean using a damp cloth and mild detergent, do not use bleach or abrasive cleaners.
- From time to time check that there are no loose screws on this unit.
- This product should not be discarded with household waste. Take to your local authority waste disposal centre.

## Handy Hints

- Assemble all parts and bolts loosely during assembly, only once the product is complete should you fully tighten the bolts
- Regularly check and ensure That all bolts and fittings are tightend properly.



## WARNING



Children have died from furniture tipover.  
 To reduce the risk of furniture tipover:

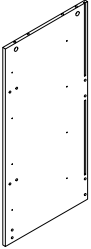
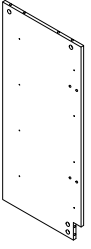

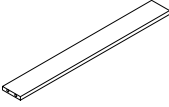
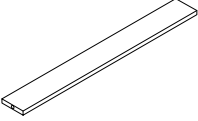
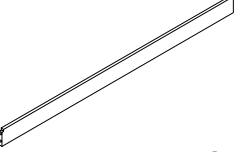
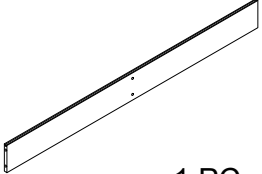
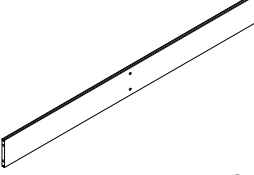
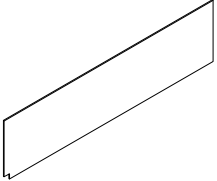
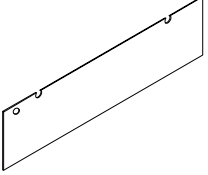

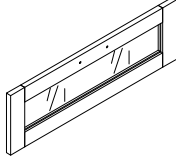
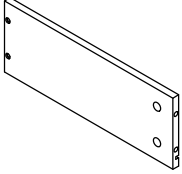
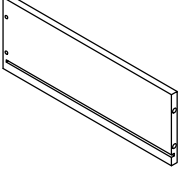
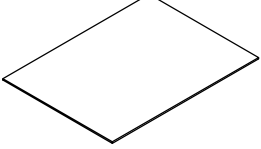
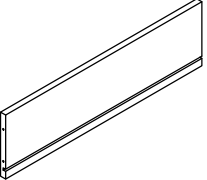
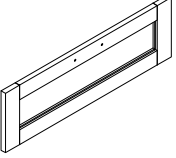
- ALWAYS install Anti-tip device provided.
- NEVER put a TV on this product.
- NEVER allow children to stand climb or hang on any drawers, doors, or shelves.
- NEVER open more than one drawer at a time.
- Place heaviest items in the lowest drawers.

This is a permanent label.

Do not remove!

# Components - Panels

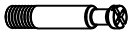


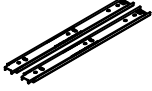





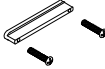



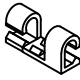


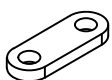
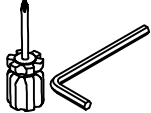
Please check you have all the panels listed below

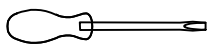
 <p>1 PC</p>	 <p>1 PC</p>	 <p>1 PC</p>	 <p>2 PCS</p>	 <p>2 PCS</p>
 <p>1 PC</p>	 <p>1 PC</p>	 <p>1 PC</p>	 <p>1 PC</p>	 <p>1 PC</p>
 <p>1 PC</p>	 <p>2 PCS</p>	 <p>8 PCS</p>	 <p>8 PCS</p>	 <p>8 PCS</p>
 <p>8 PCS</p>	 <p>6 PCS</p>			

# Components - Fittings

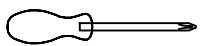
Please check you have all the panels listed below

**Note:** The quantities below are the correct amount to complete the assembly. In some cases more fittings may be supplied than are required.

<b>A</b>  Male Camlock x 66	<b>B</b>  Female Camlock x 66	<b>C</b>  Dowel x 6
<b>D</b>  Drawer slider 14" X 8	<b>E</b>  3.5*12mm Screw x 66	<b>F</b>  4*30mm Screw x 32
<b>G</b>  3*17mm Screw x 16	<b>H</b>  Plastic wedge x 12	<b>I</b>  Protective Feet x 12
<b>J</b>  Handle & Fixings x 8	<b>K</b>  6.8*48mm Screw x 4	<b>L</b>  Ø20 Sticker x 44
<b>M</b>  Socket x1	<b>N</b>  Glue Thread Clasp x 4	<b>O</b>  Light Strip x 1
<b>P</b>  Wall Fixing Pack x 2	<b>Q</b>  Wire Holder x 2	 M4 x 1



## Tools required



Phillips screwdriver  
(medium & large)

## Ruler - Use this ruler to help correctly identify the screws



The screws length is measured from the head to the point (35mm screw shown).

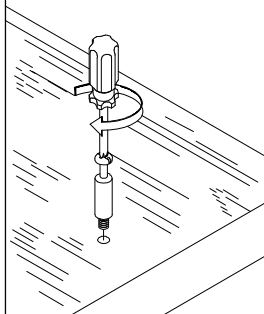
# Using Camlocks

## Step 1

Connect the male camlock as directed in the assembly instructions using a screwdriver.

1

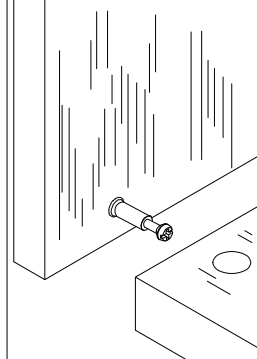
DO NOT OVER TIGHTEN.  
NE PAS SERRER EXCESSIVEMENT.



## Step 2

Push the male camlock into the entry hole.

2

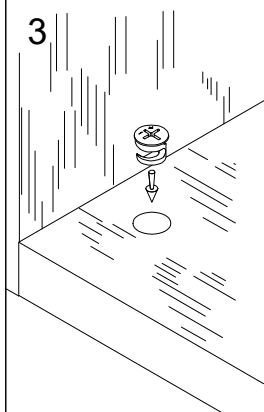


## Step 3

Insert the female camlock as shown in the instruction.

Note: ensure that the arrow on the top of the camlock points towards the entry hole for the male camlock.

3



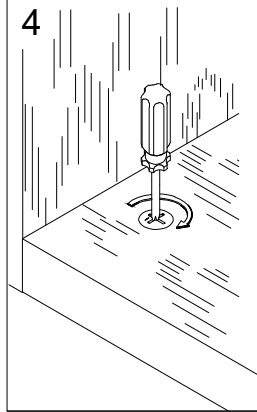
## Step 4

Turn the female camlock clockwise with a screwdriver.

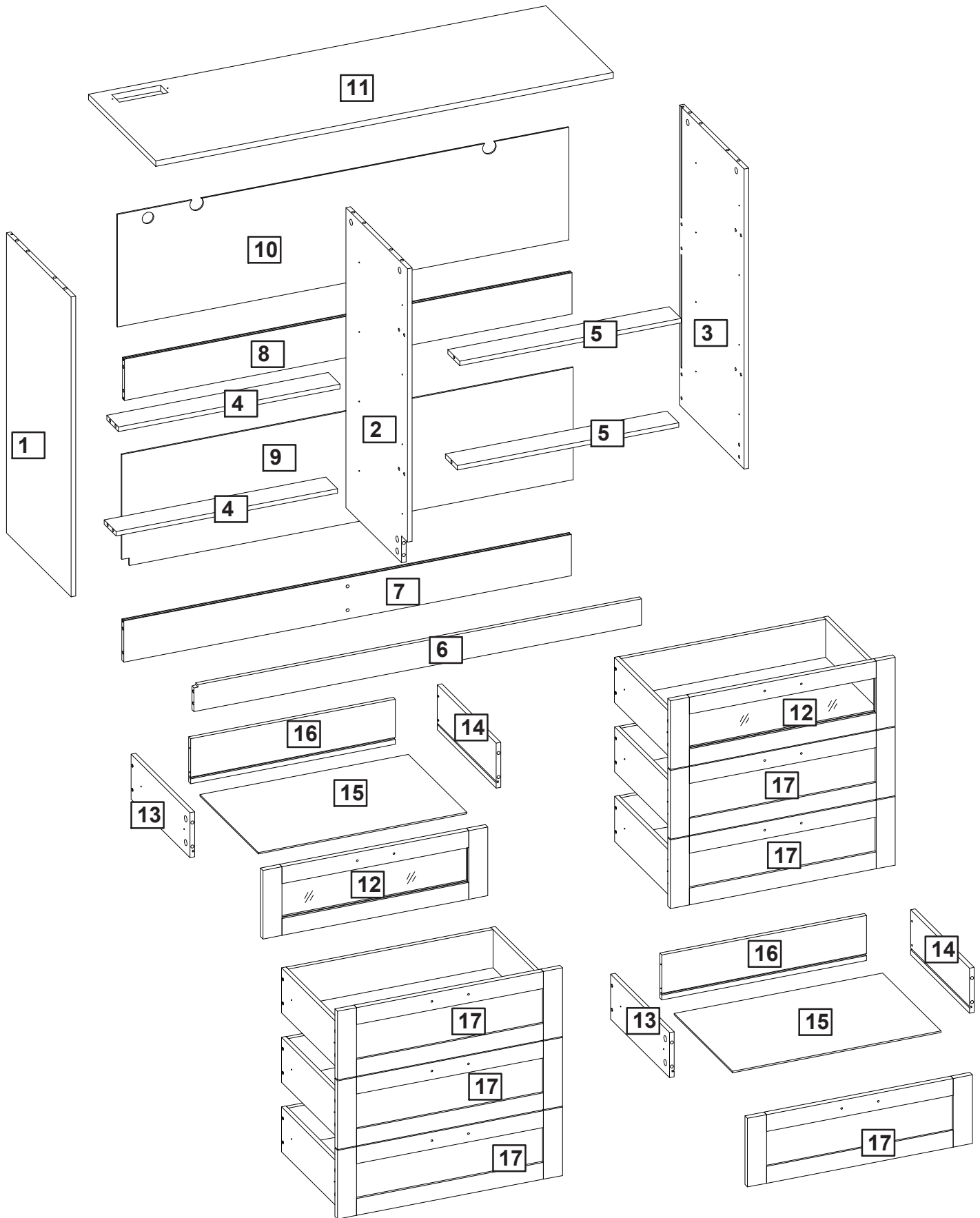
You should feel a click when the camlock is locked in place.

The joint is now secure.

4

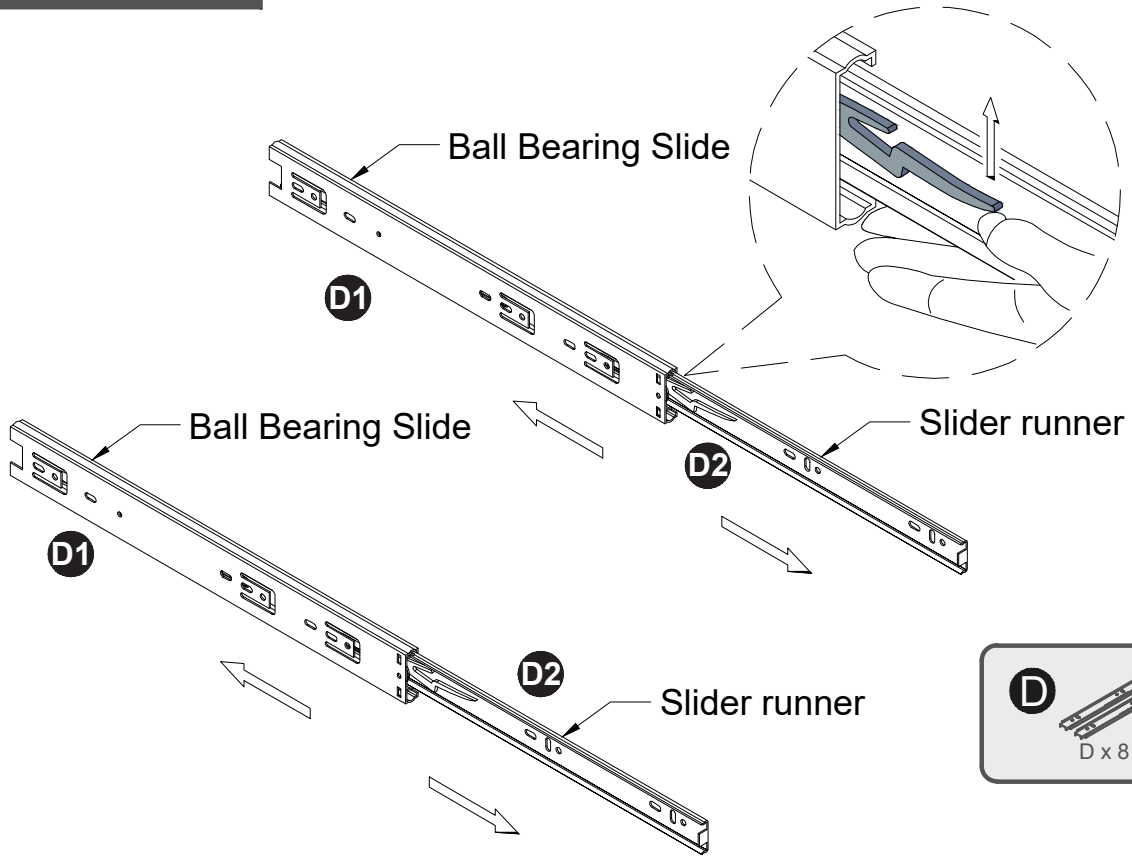


# Assembly Instructions

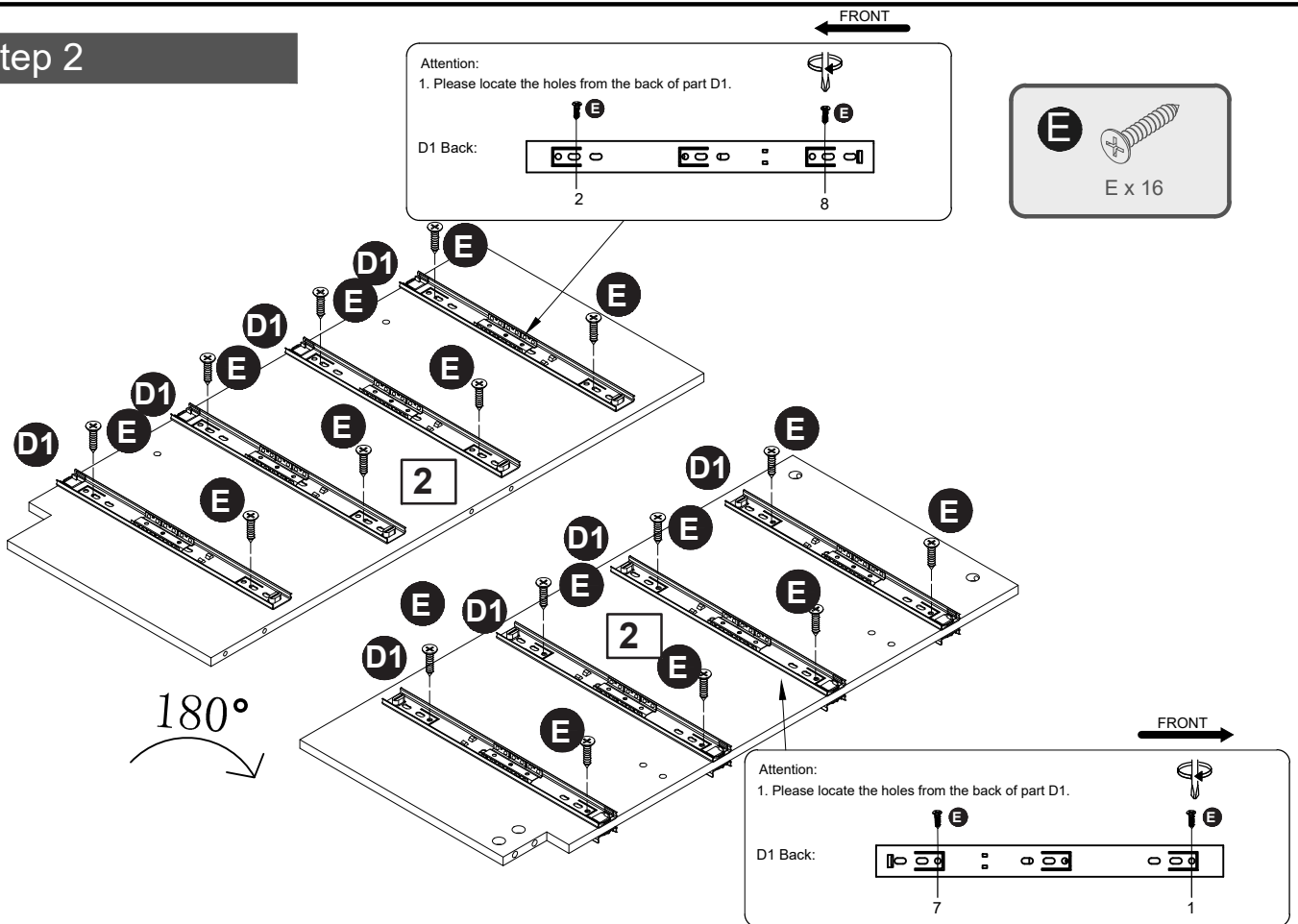


# Assembly Instructions

## Step 1

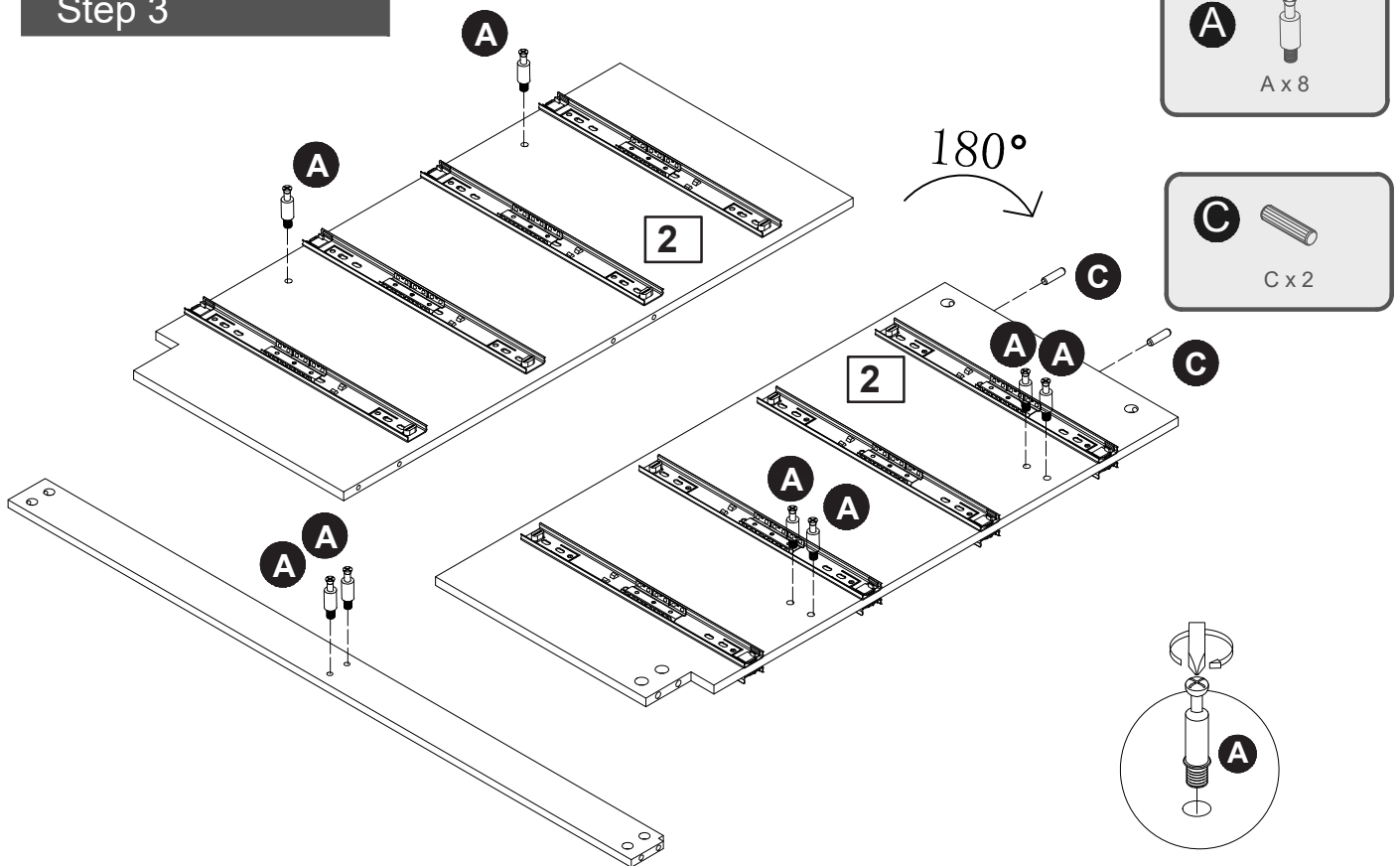


## Step 2

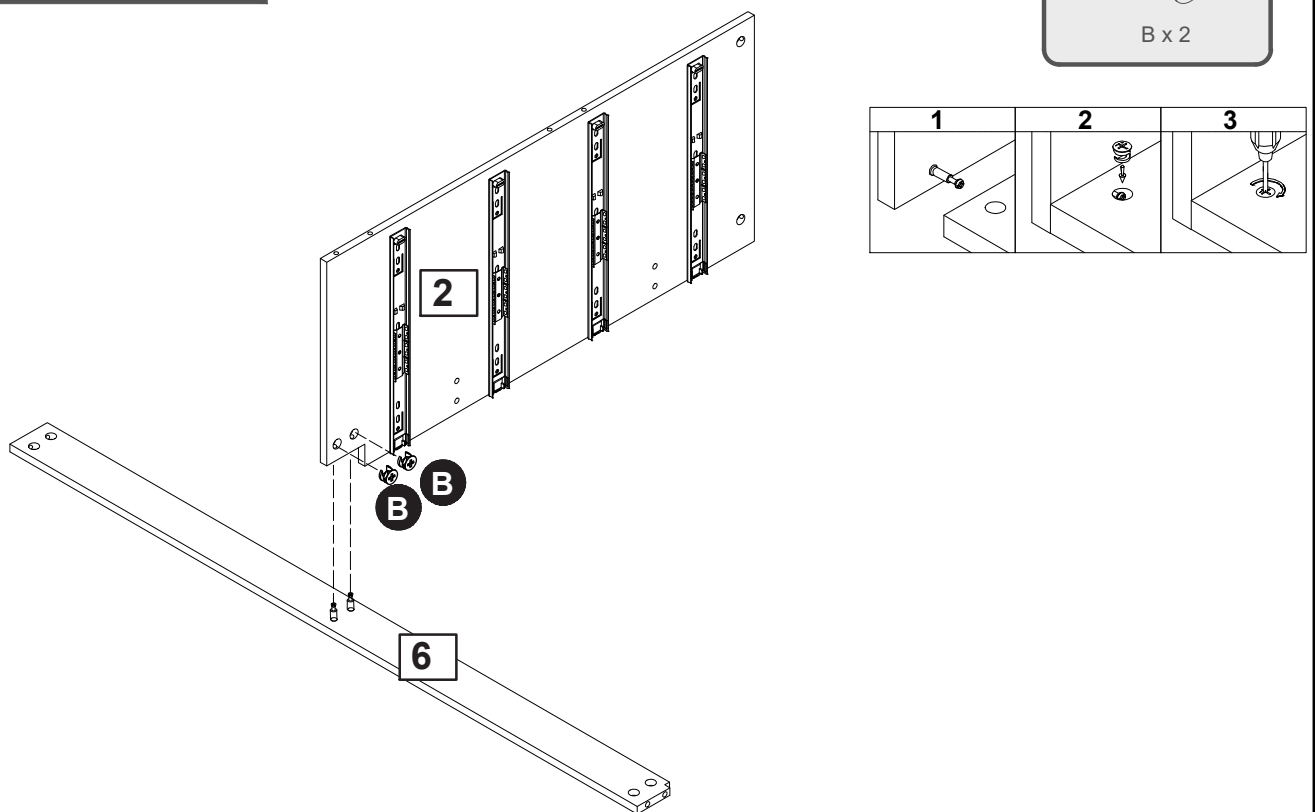


# Assembly Instructions

## Step 3



## Step 4



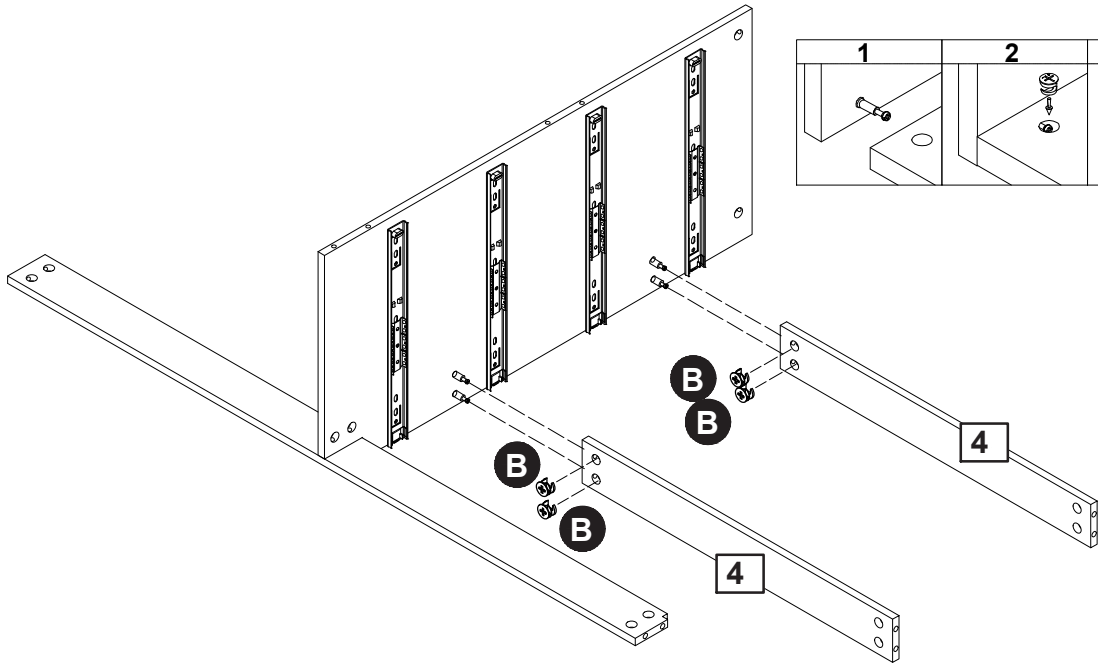
# Assembly Instructions

## Step 5

**B**



B x 4



## Step 6

**E**

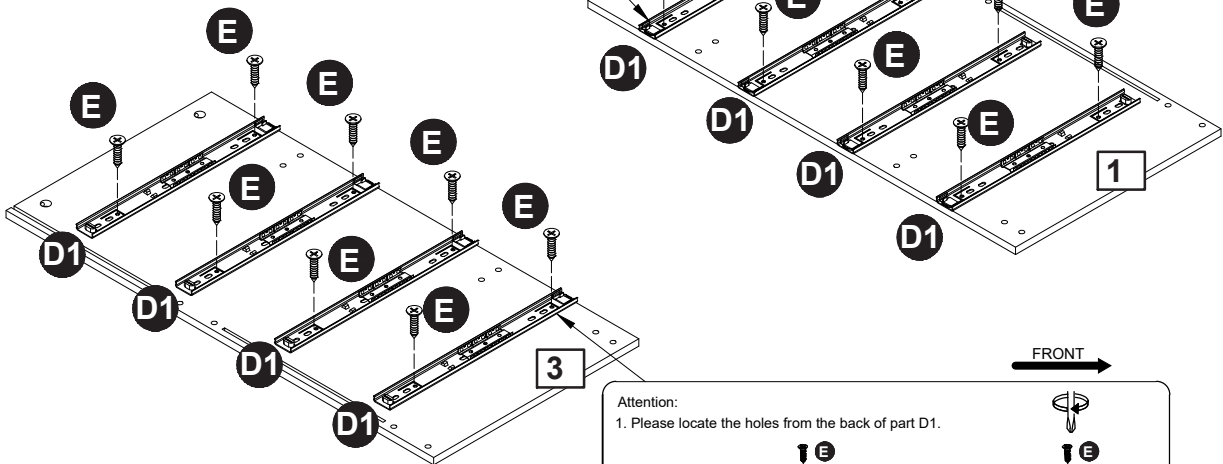
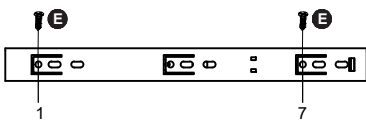


E x 16

Attention:

1. Please locate the holes from the back of part D1.

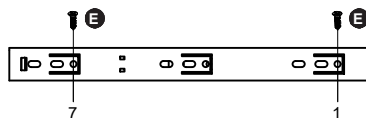
D1 Back:



Attention:

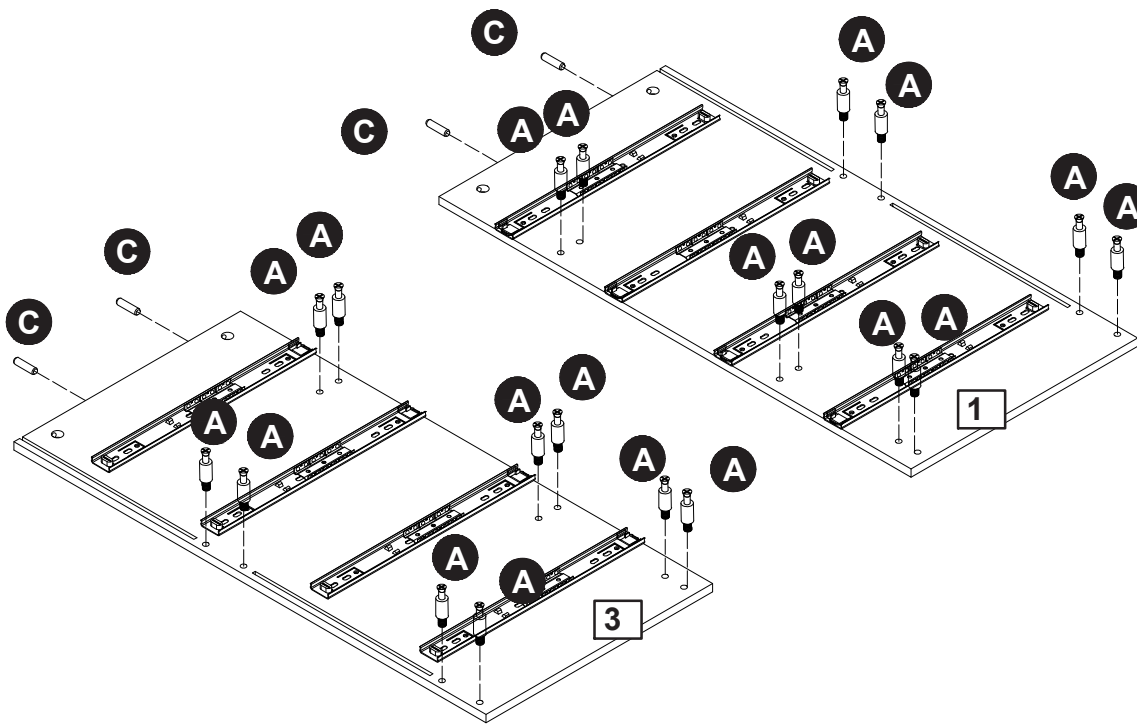
1. Please locate the holes from the back of part D1.


D1 Back:



# Assembly Instructions

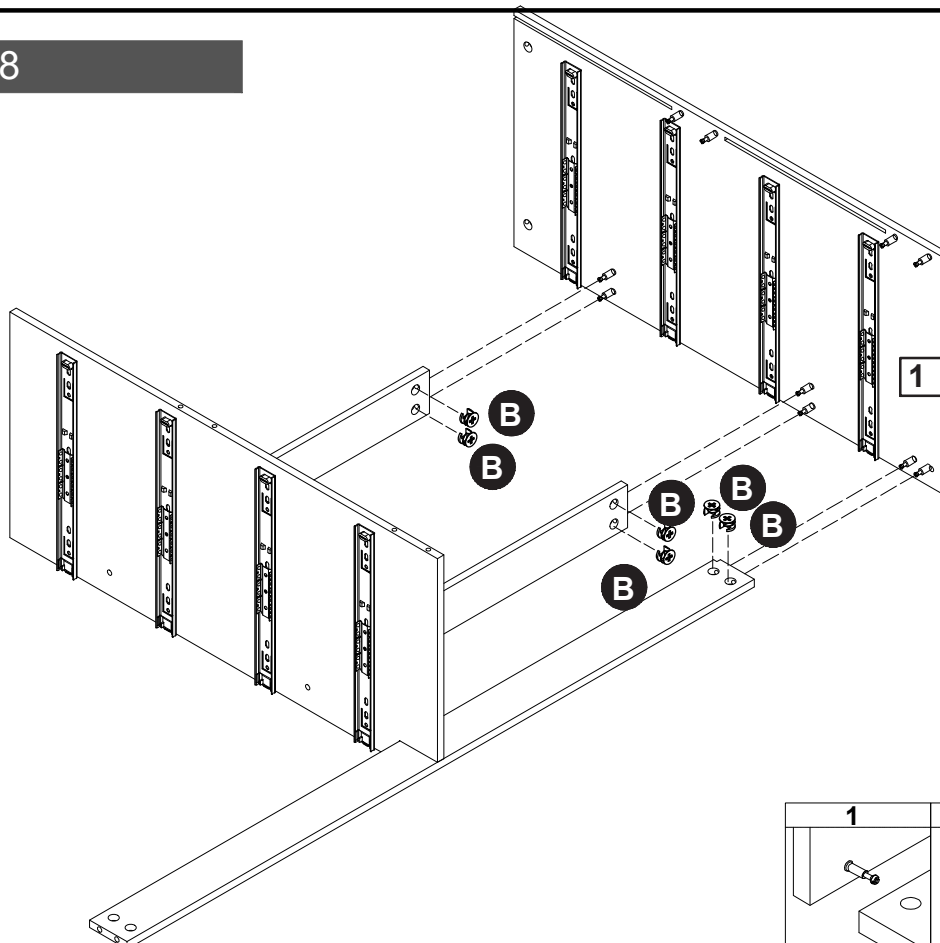
## Step 7



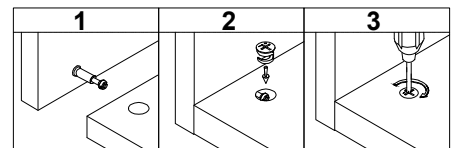
**A**   
A x 20

**C**   
C x 4

## Step 8

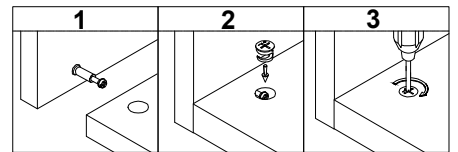
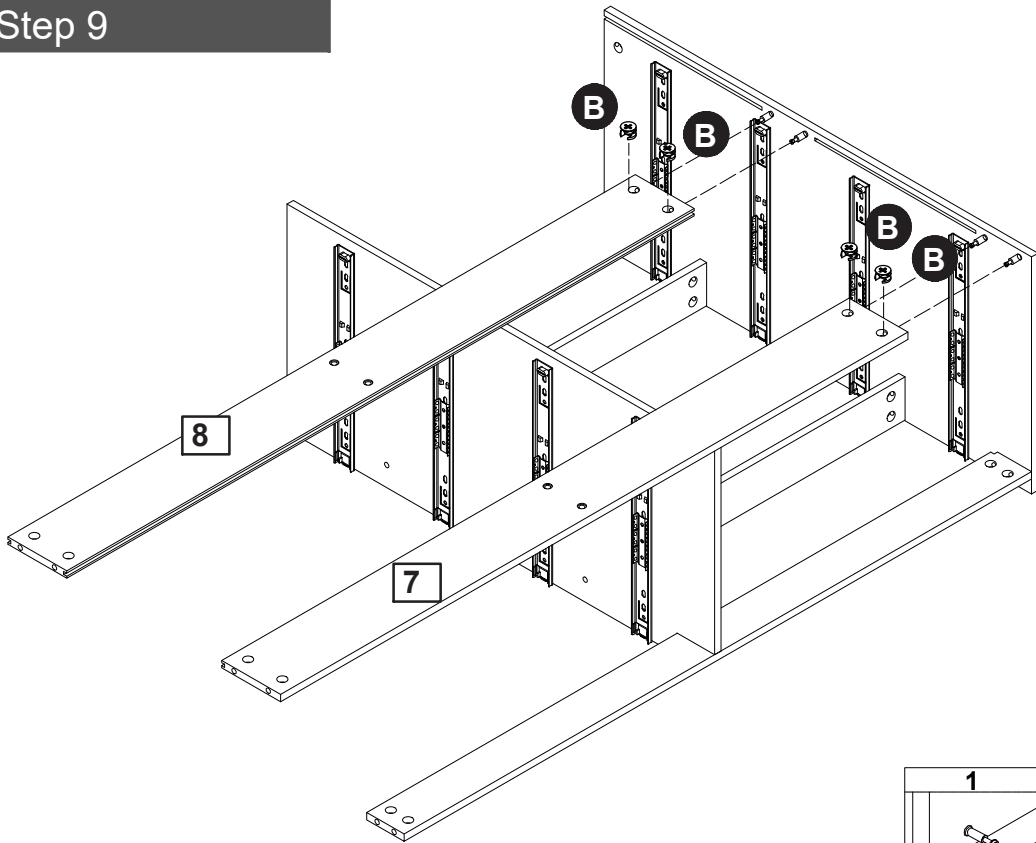


**B**   
B x 6

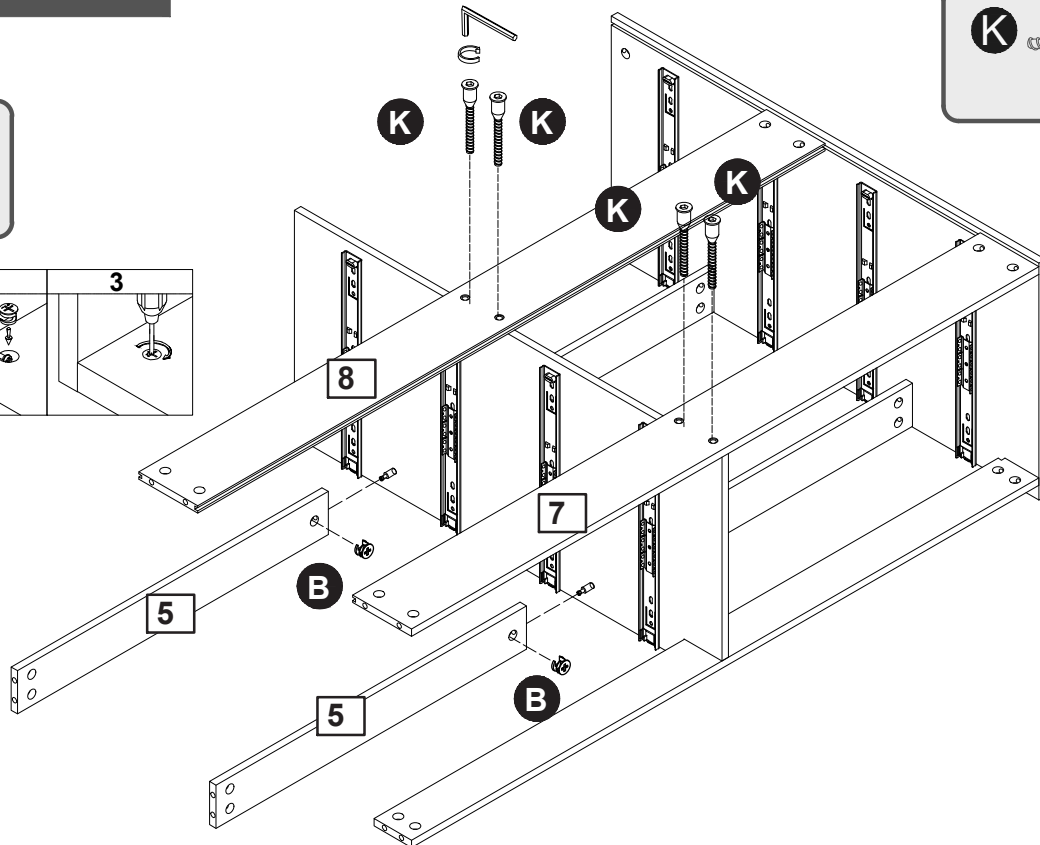
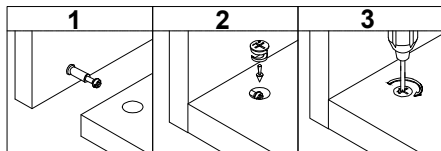


# Assembly Instructions

## Step 9



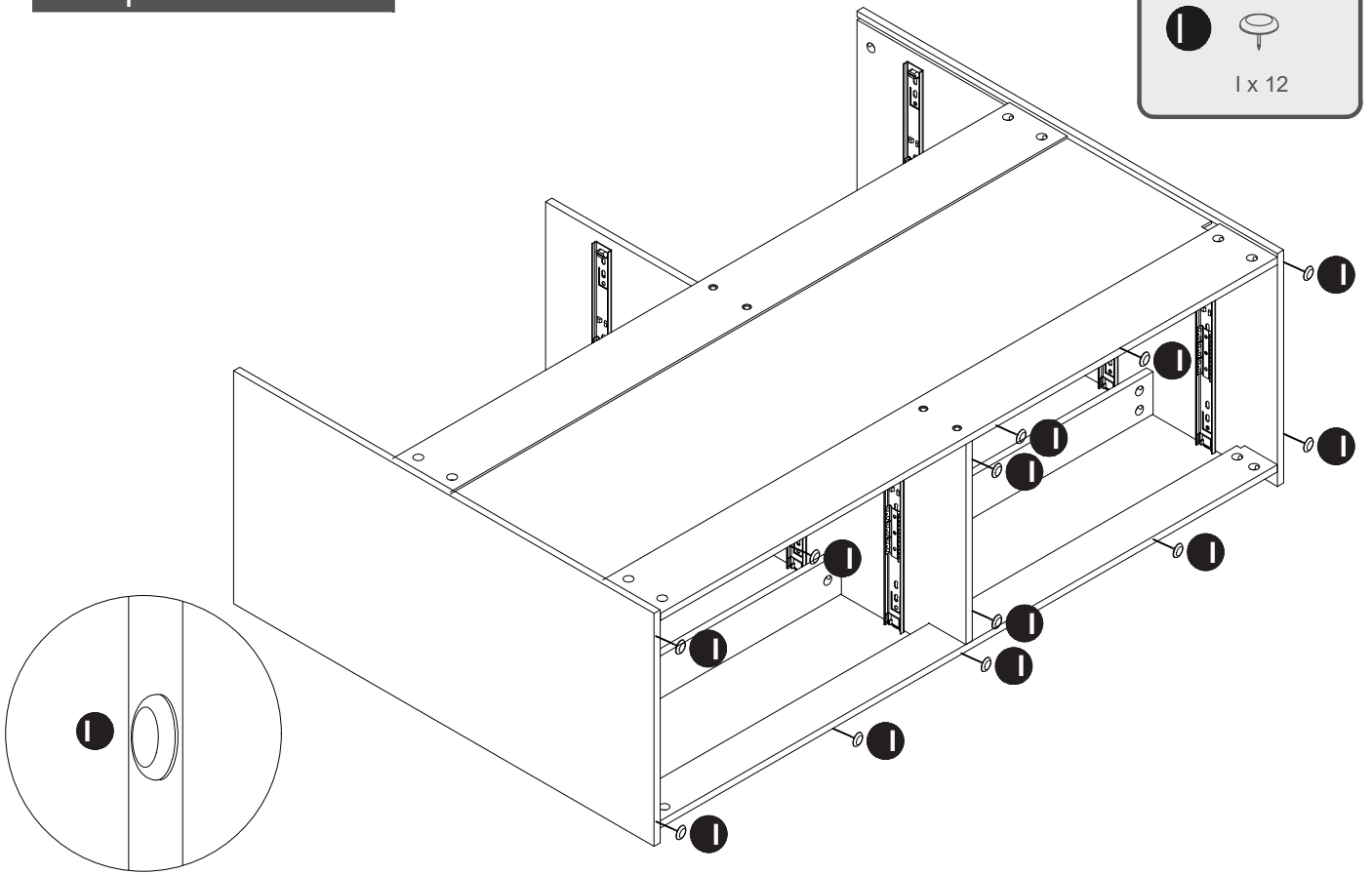
## Step 10



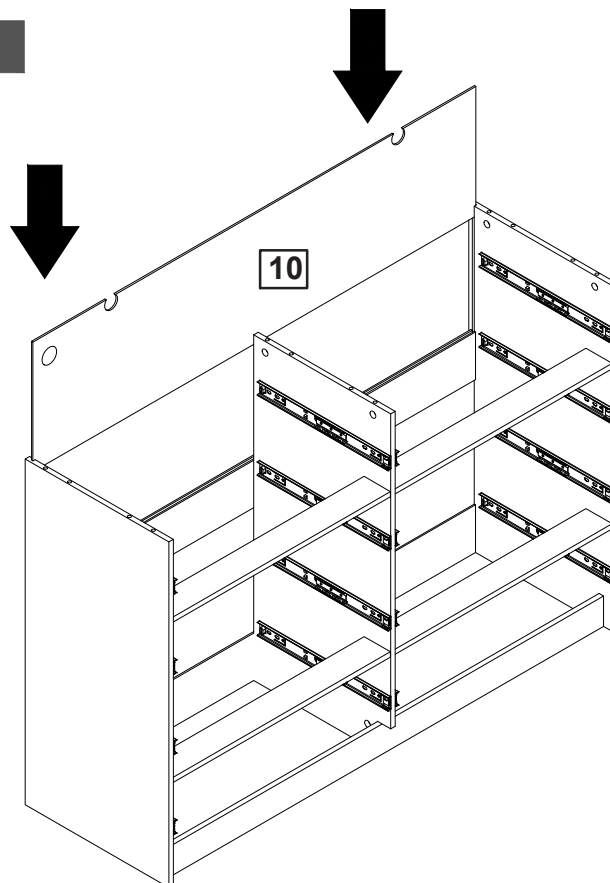


# Assembly Instructions

## Step 13

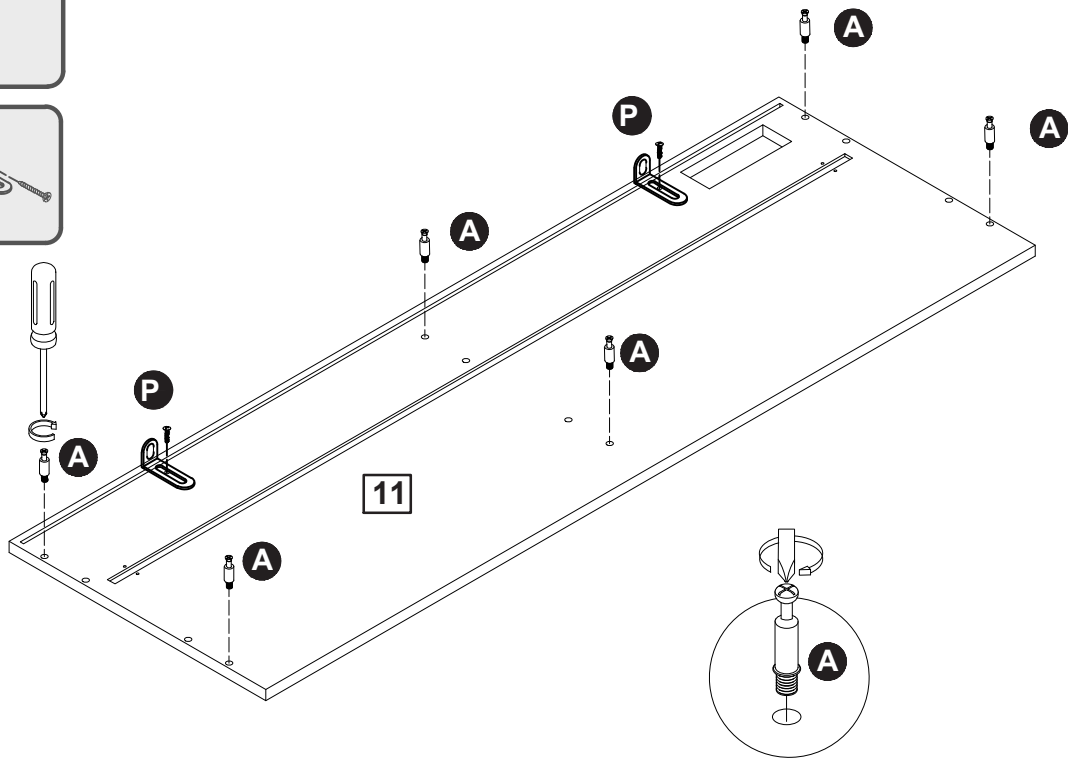
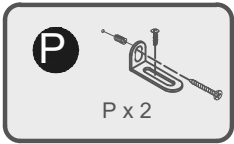
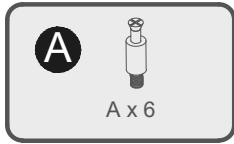


## Step 14

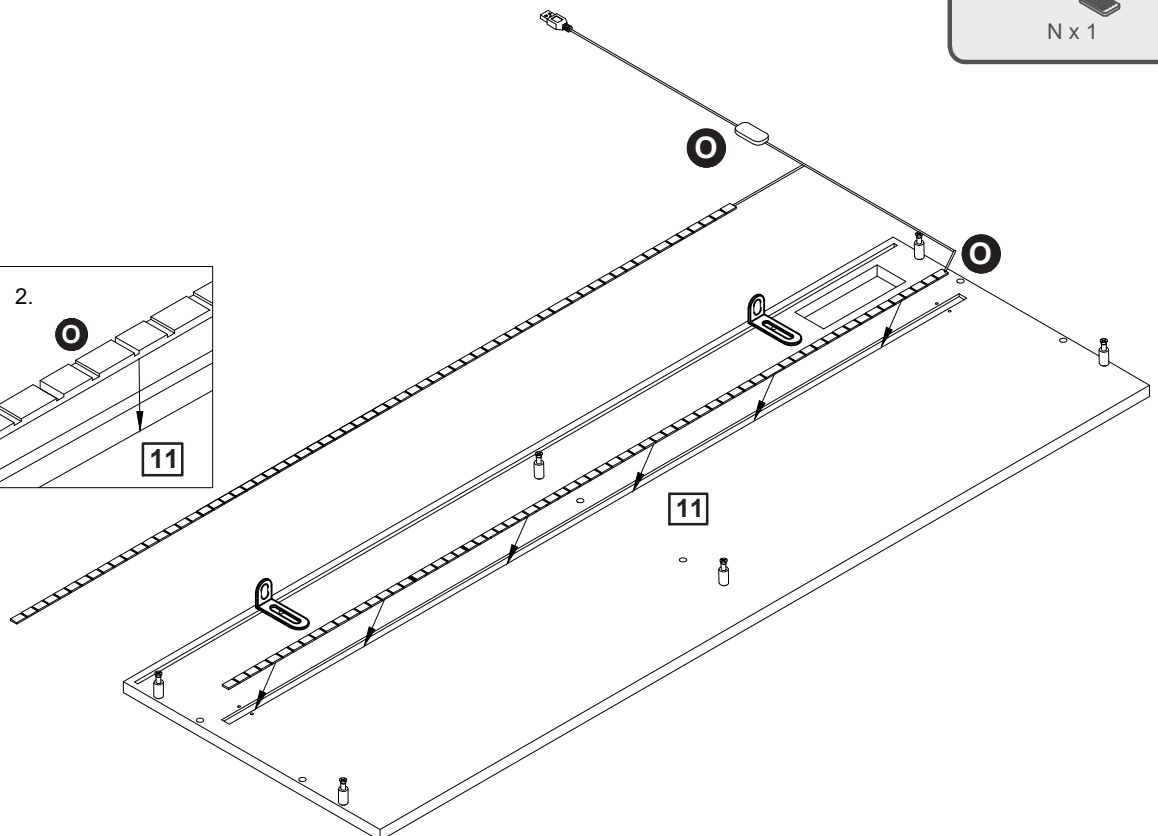
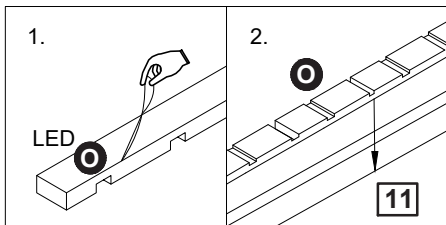


# Assembly Instructions

## Step 15



## Step 16



# Assembly Instructions

## Step 17

**G**

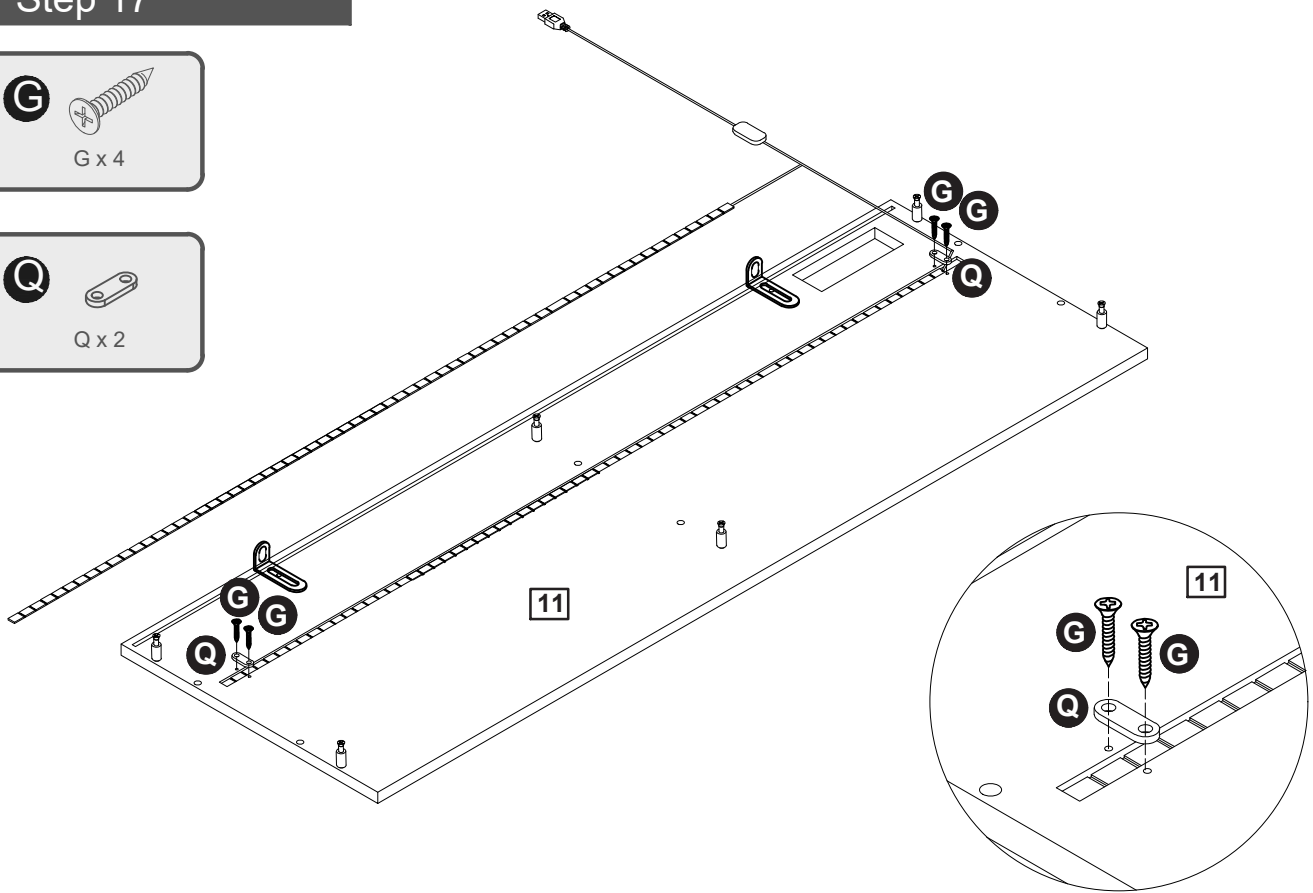


G x 4

**Q**



Q x 2

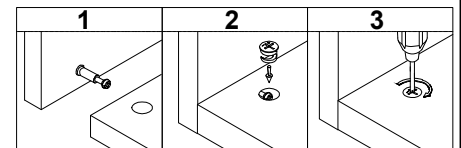
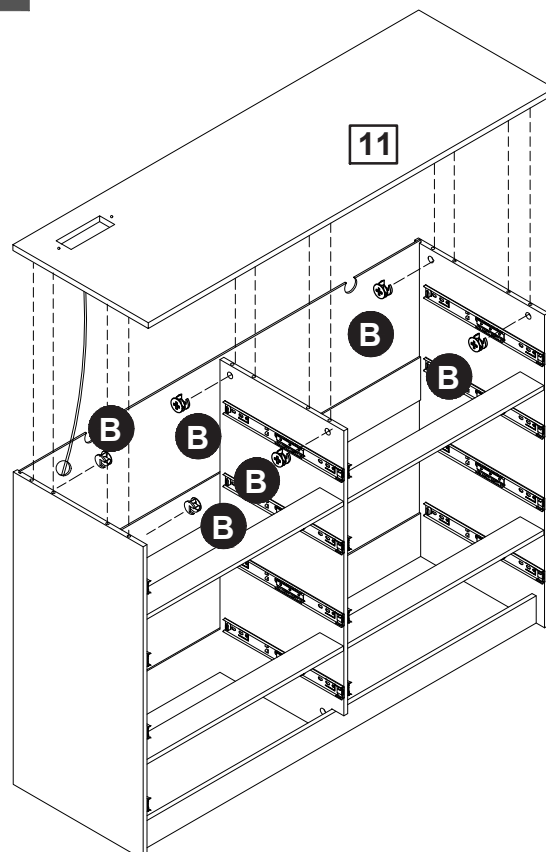


## Step 16

**B**

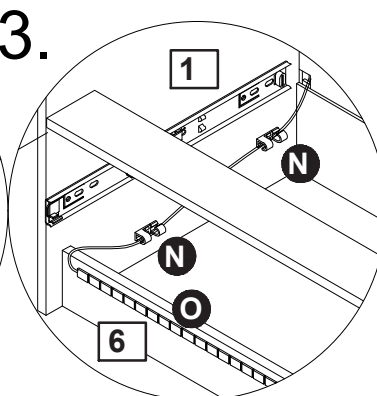
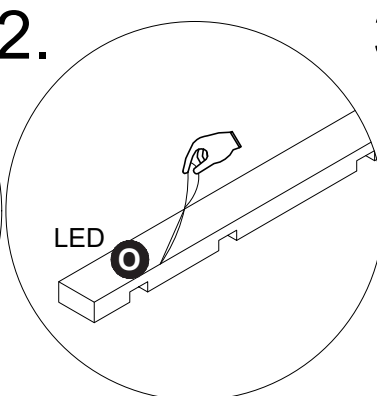
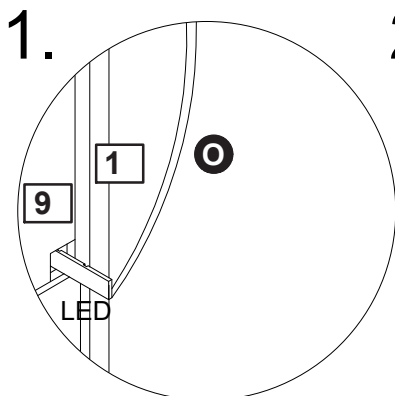
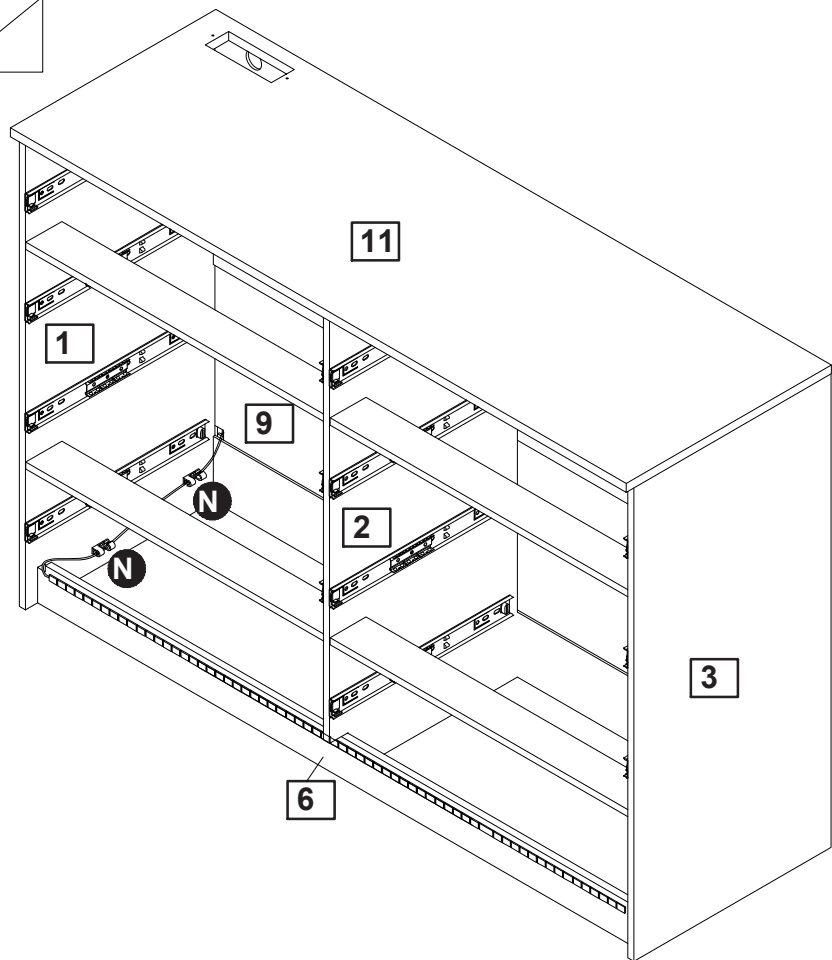
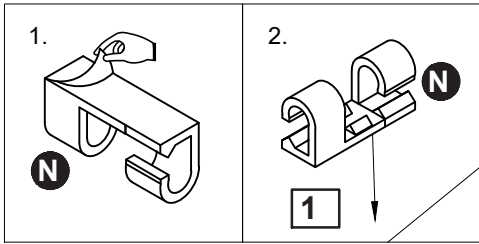
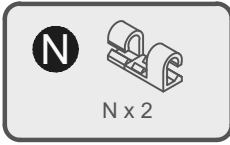


B x 6



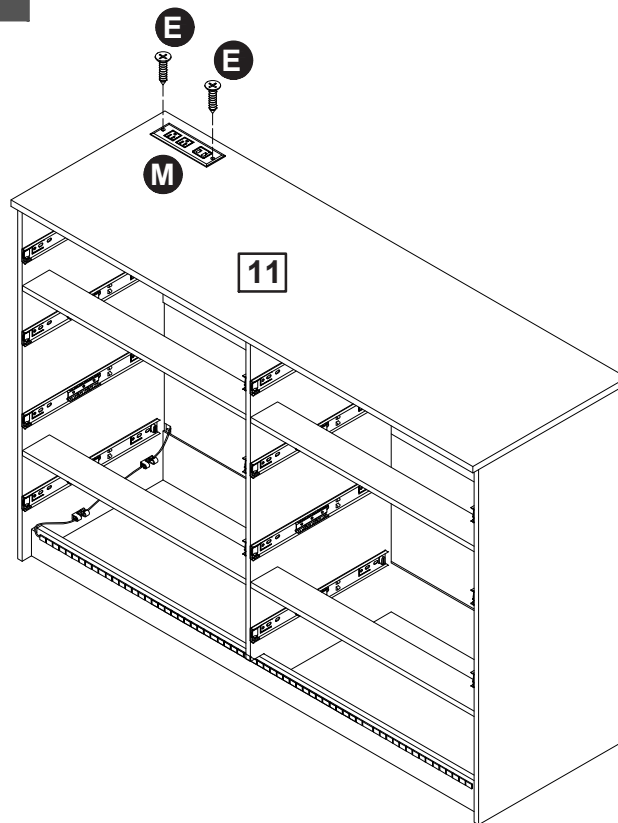
# Assembly Instructions

## Step 17

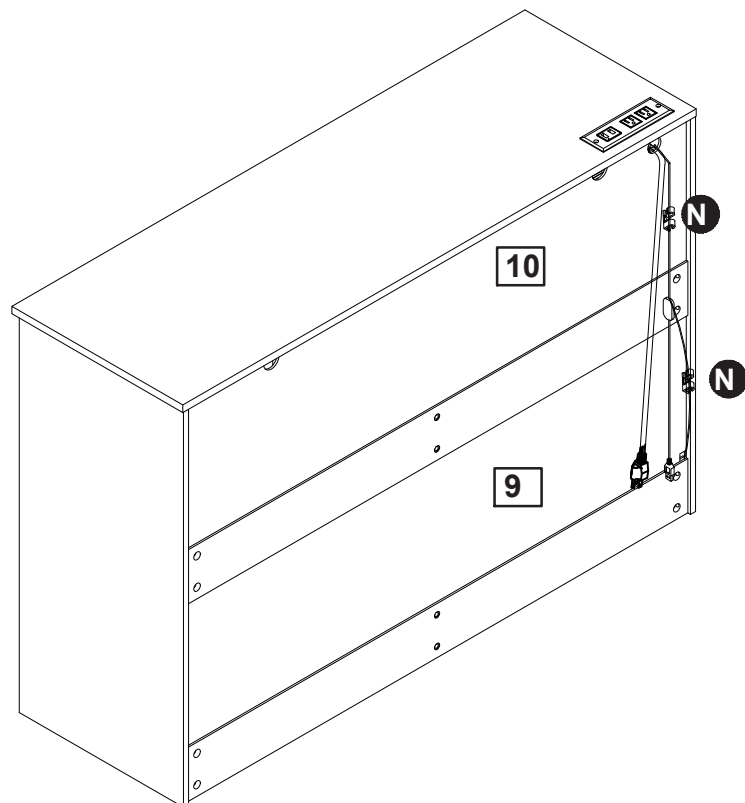
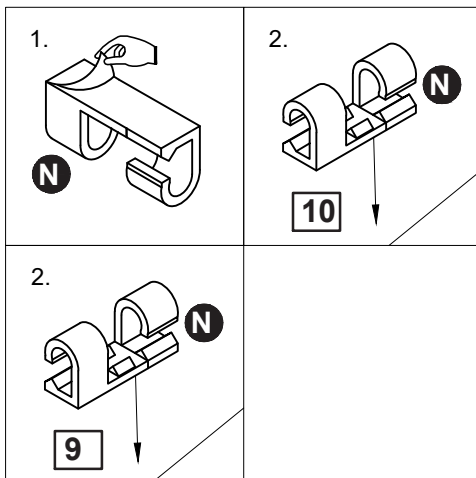


# Assembly Instructions

## Step 18

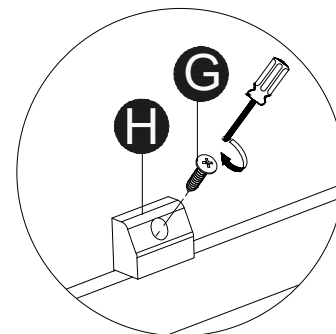
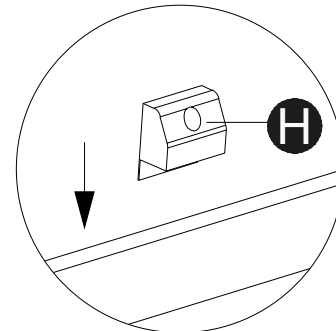
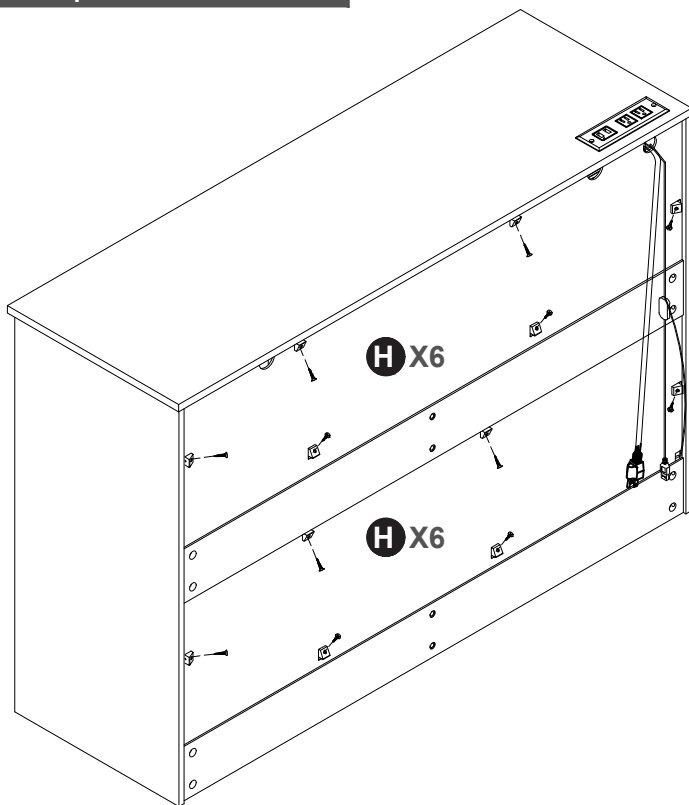


## Step 19



# Assembly Instructions

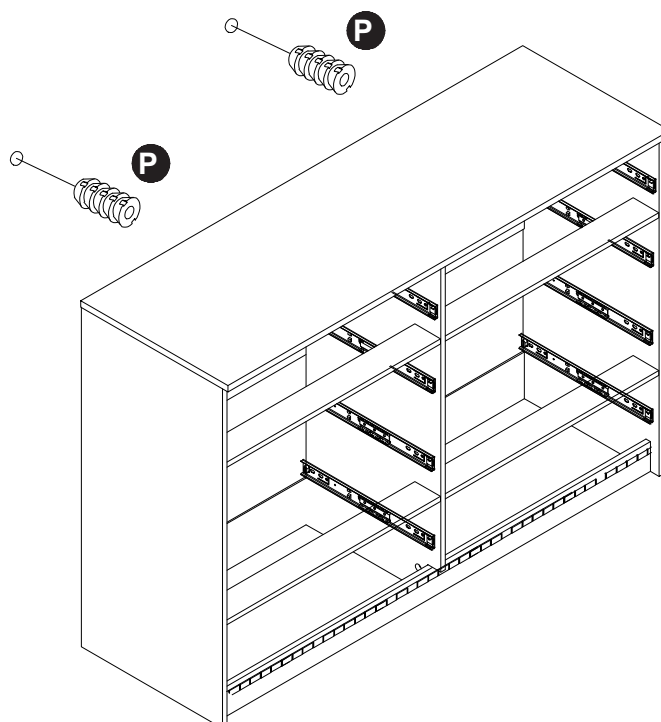
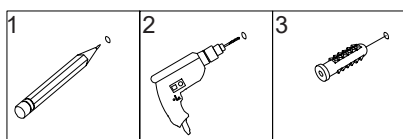
## Step 20



## Step 21

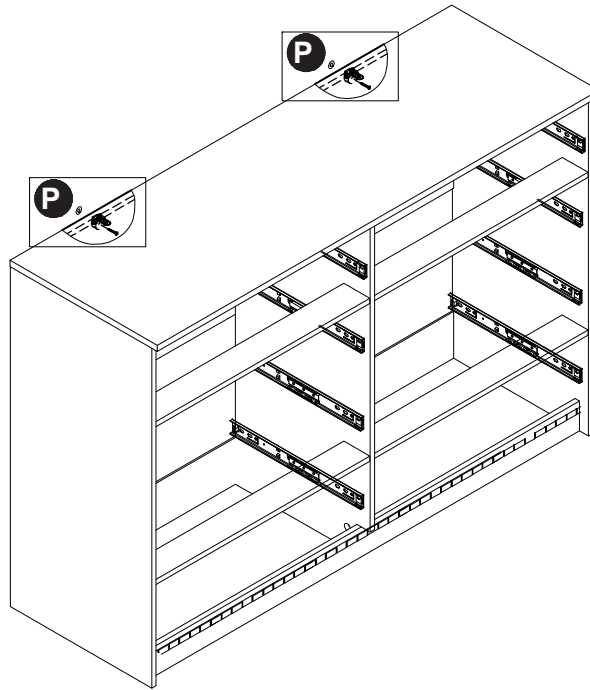
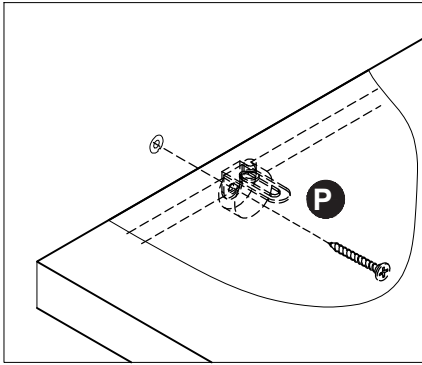
## WARNING

Serious or fatal injuries can occur from furniture tipping over. To prevent the furniture from tipping over we recommend that it is permanently fixed to the wall. Wall anchor and hardware are included with this product. Please make sure hardware is suitable for your walls before installing, as different wall materials may require different types of anchors.

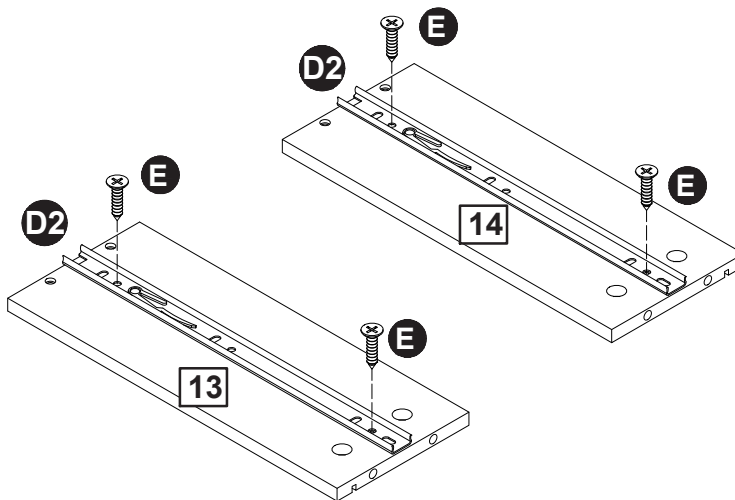


# Assembly Instructions

## Step 22



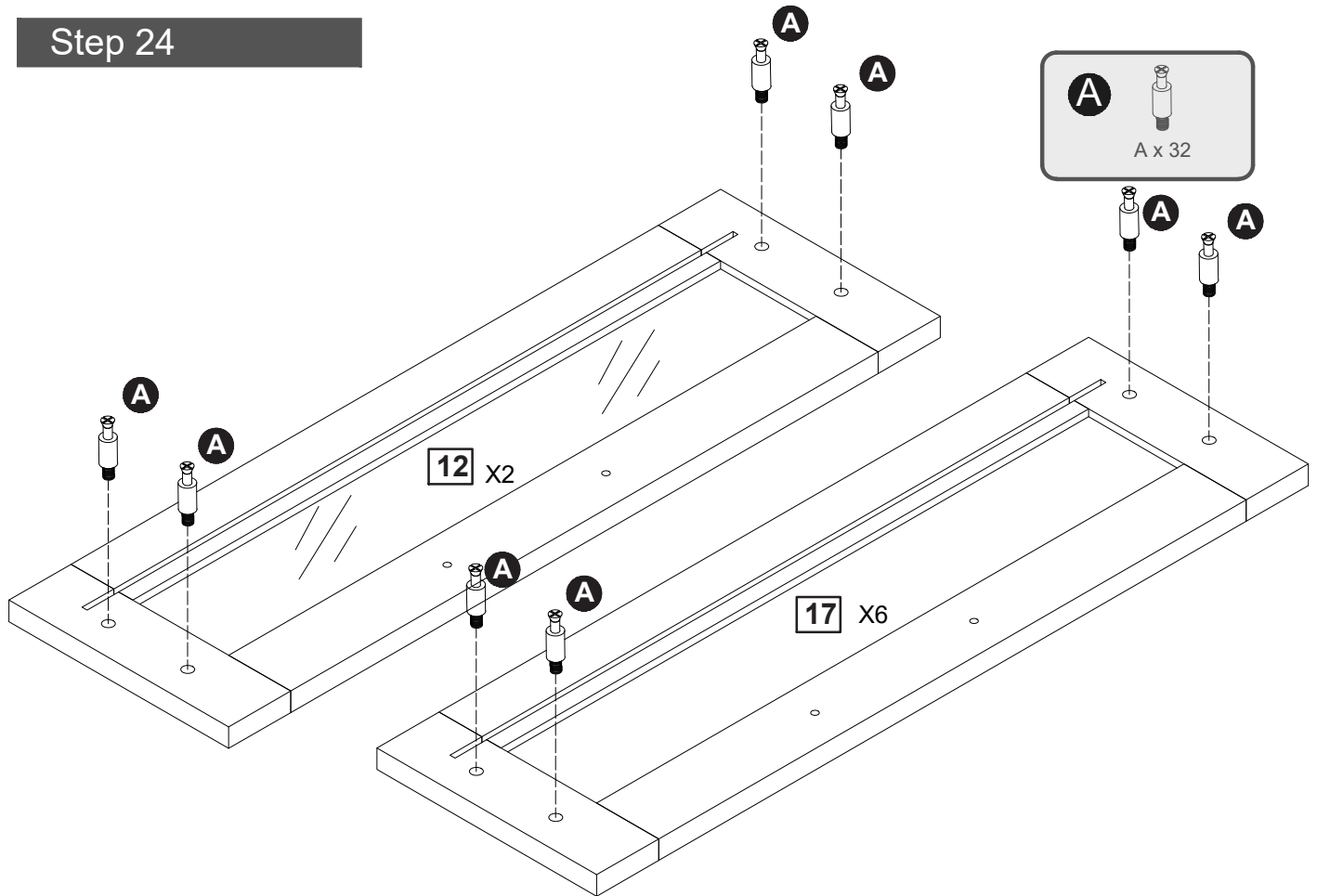
## Step 23



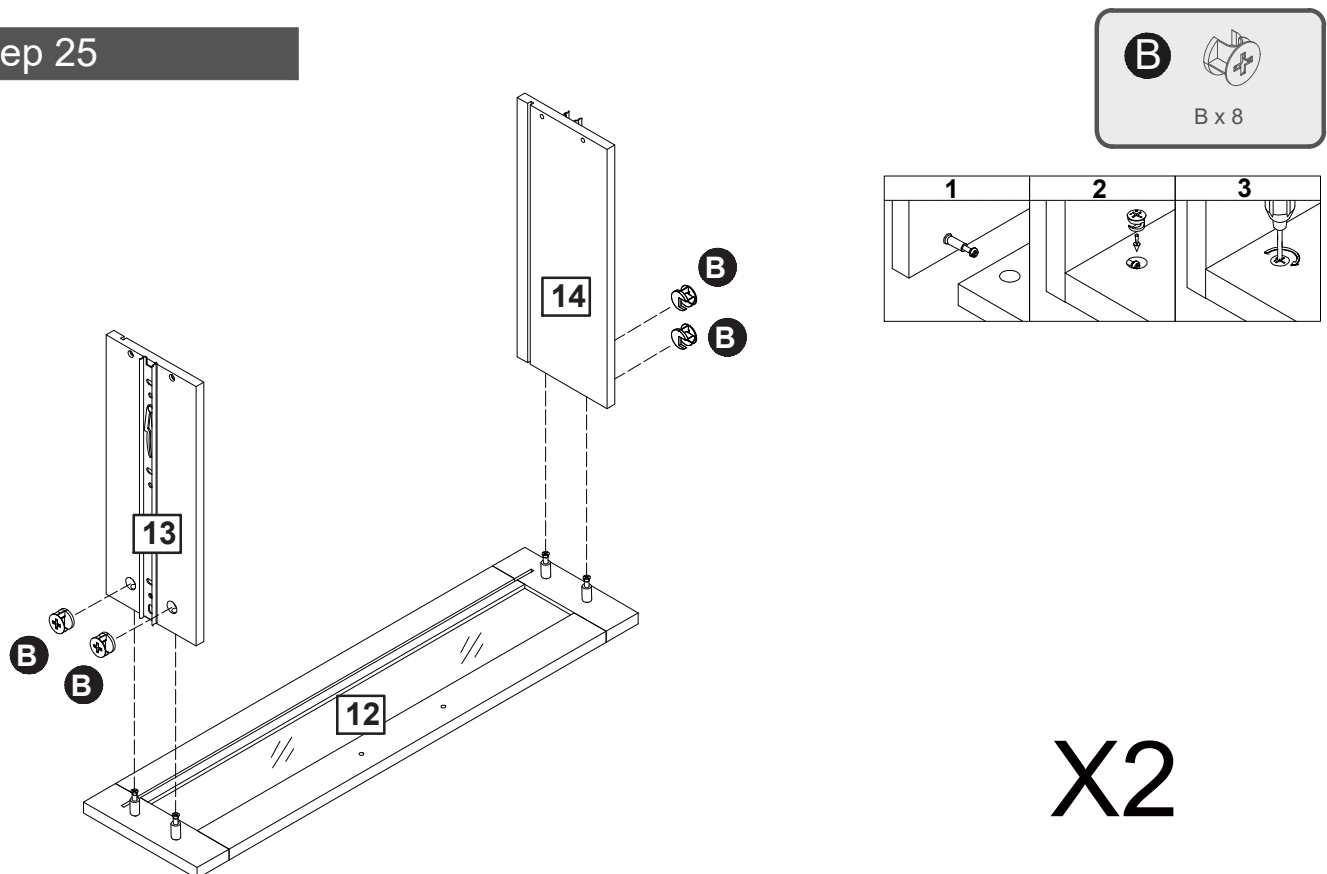
**X8**

# Assembly Instructions

## Step 24

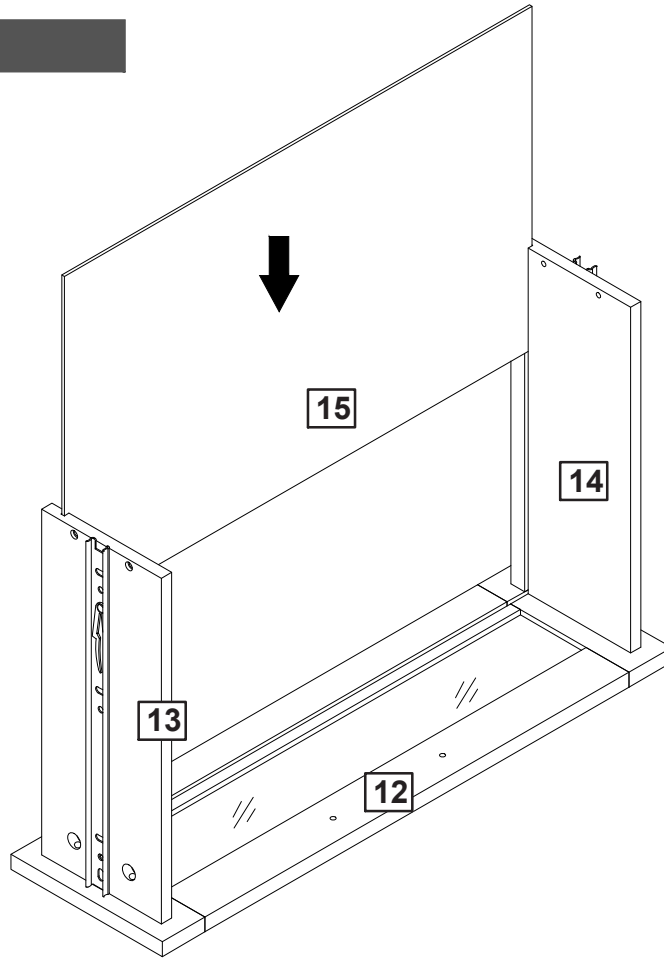


## Step 25



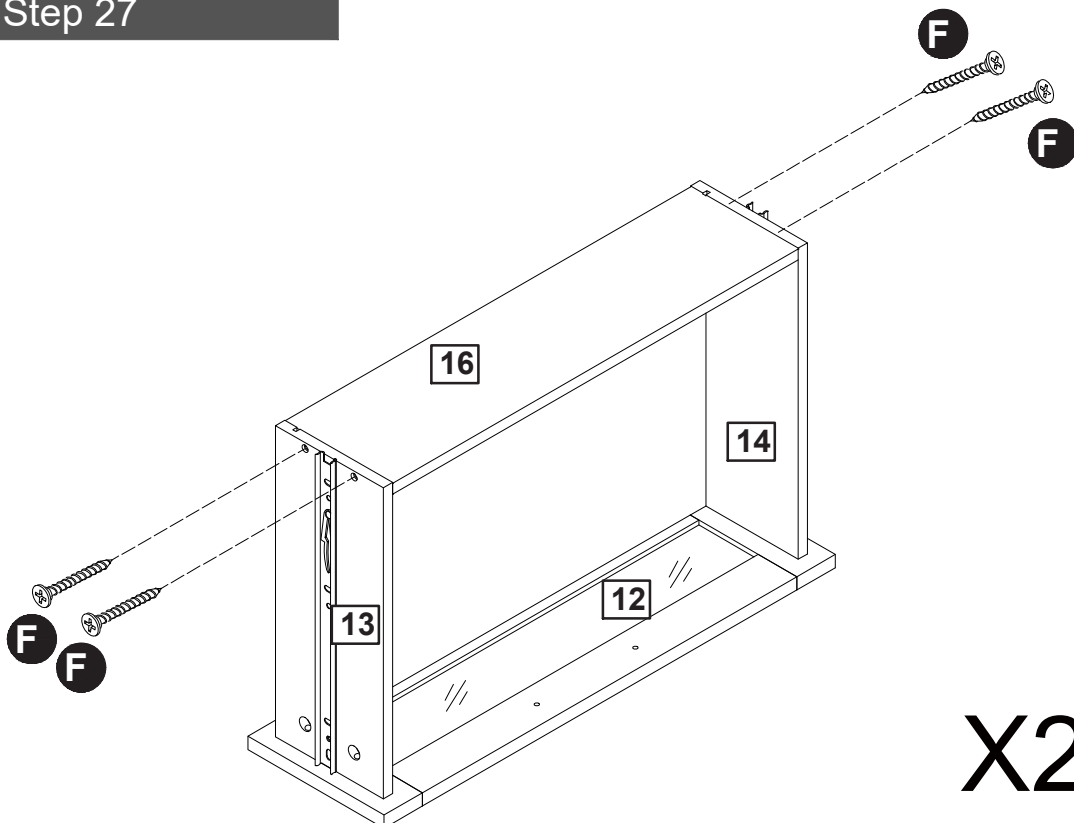
# Assembly Instructions

## Step 26



X2

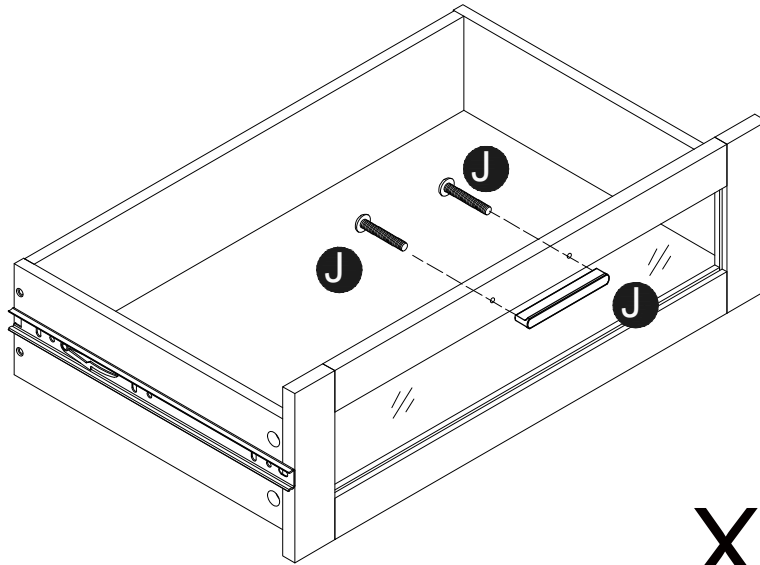
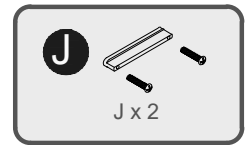
## Step 27



X2

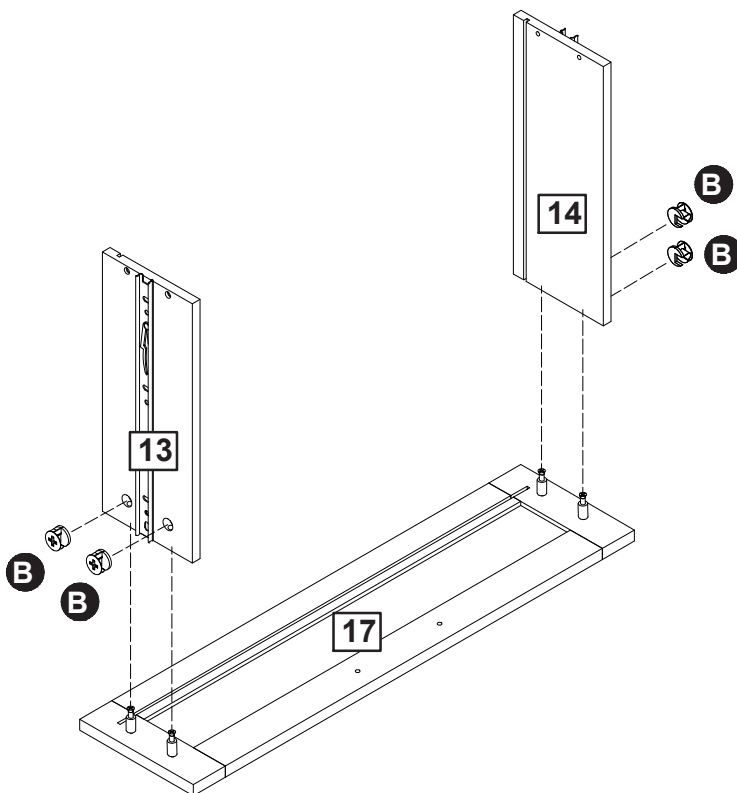
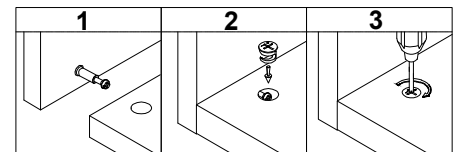
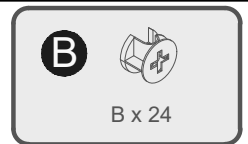
# Assembly Instructions

## Step 28



X2

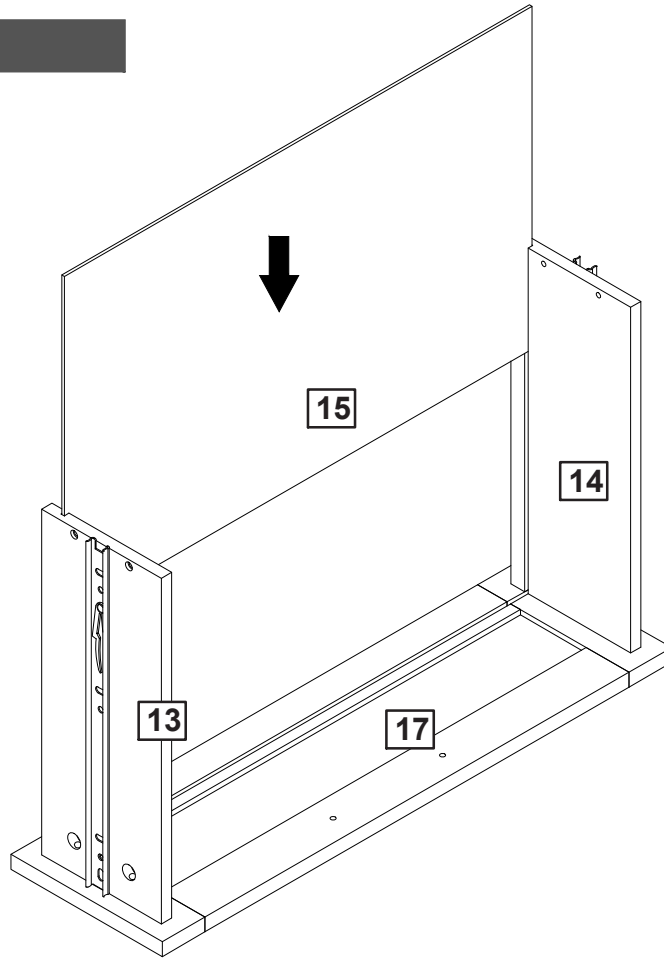
## Step 29



X6

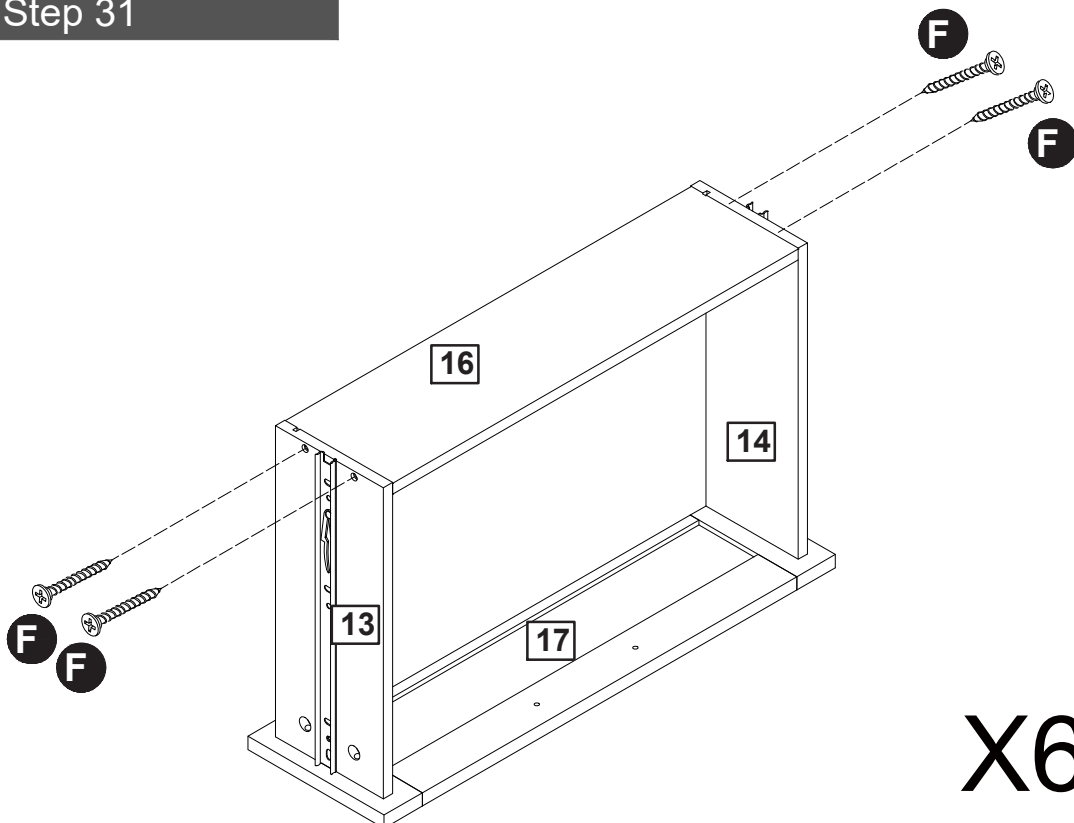
# Assembly Instructions

## Step 30



X6

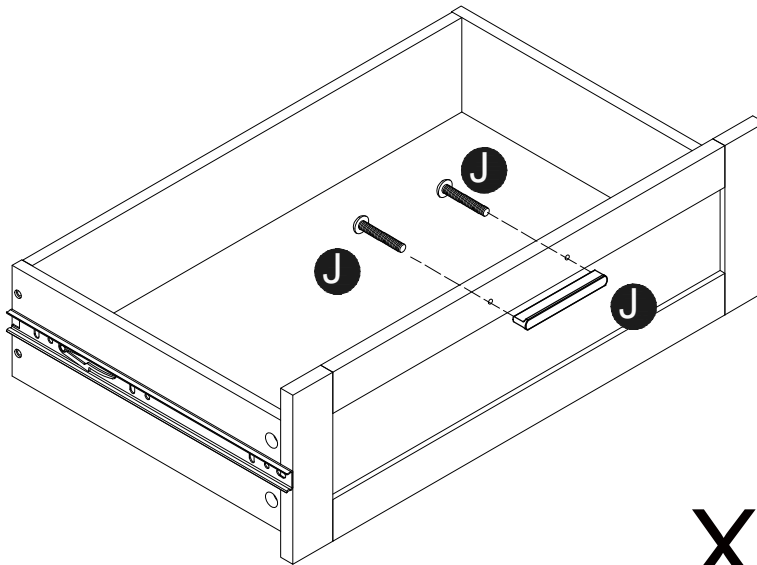
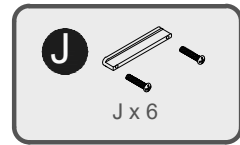
## Step 31



X6

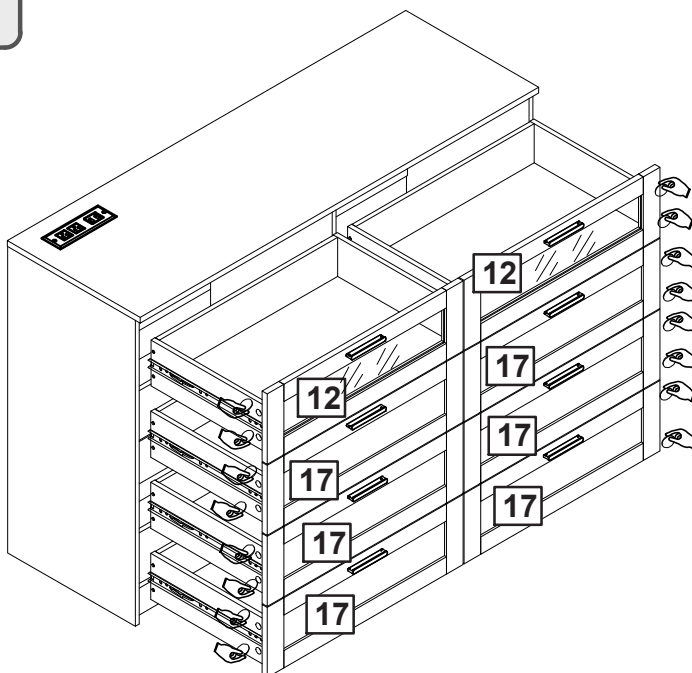
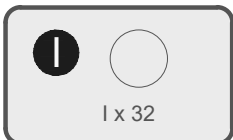
# Assembly Instructions

## Step 32



X6

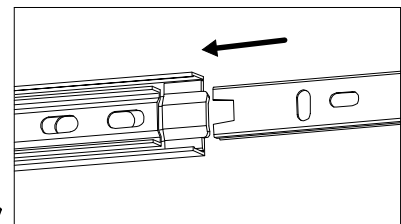
## Step 33



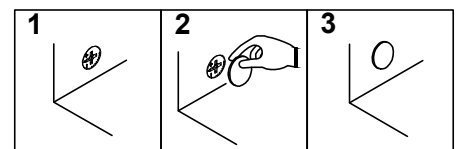
### Attention:

1. Align the slide runners on the drawer with the unit and push it carefully inside until it stops.

★ If the drawer does not go in smoothly please take it out and repeat the step.



I x 32

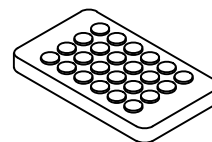


# Assembly Instructions

## Step 34



**Effective distance of light control: within 3 meters**



**Assembly is complete.**

# A Guide to Wall Mounting & Fixings

## Important note:

If plastic wall plugs (rawl plugs) are supplied with your product, e.g.:



- these are only suitable for use in masonry walls.

If you are in any doubt about the correct wall plugs for your wall, seek professional advice.


Failure of the product due to using the incorrect fixings is the responsibility of the installer.



**Important:** when drilling into walls always check that there are no hidden wires or pipes etc.

Make sure that the screws and wall plugs being used are suitable for **supporting your unit**. **Consult a qualified tradesperson if you are unsure.**

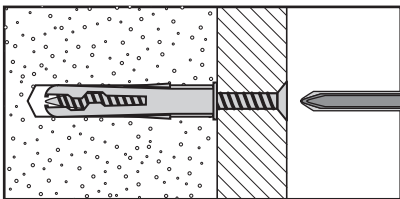
Hints:

- 1: General rule:  always use a larger screw and wall plug if you are not sure.
- 2: Ensure you use the recommended drill bit to match the wall plug and hole size.
- 3: Ensure you drill the hole horizontally; do not force the drill or enlarge the hole.
- 4: Take extra care when drilling high walls, ceilings and ceramic tiles. Ensure wall plugs are inserted beyond the thickness of the ceramic tiles to avoid the tiles splitting or cracking.
- 5: Ensure wall plugs are well fitted and are a tight fit in the drilled hole.

## Types of walls

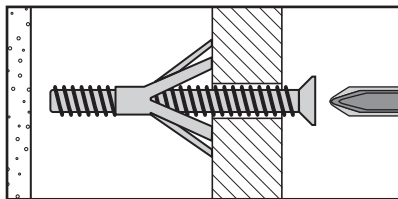
You can use one of the following types of wall plug if your walls are made of brick, breeze block, concrete, stone or wood.

No.1 "General Purpose" wall plug



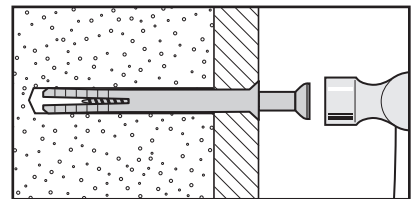
Generally aerated blocks should not be used to support heavy loads, use a specialist fitting in this case. For light loads, general purpose wall plugs can be used.

No.3 "Cavity Fixing" wall plug



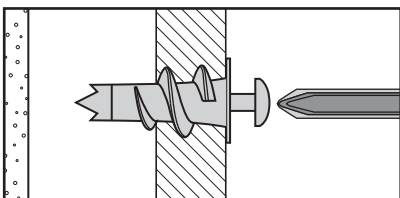
For use with plasterboard partitions or hollow wooden doors.

No.5 "Hammer Fixing" wall plug



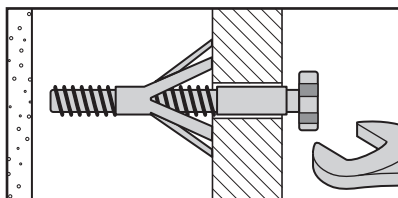
For use with walls stuck with plasterboard. The hammer fixing allows it to be fixed to the wall rather than the plasterboard. Always check the fixing is secure to the retaining wall.

No.2 "Plasterboard" wall plug



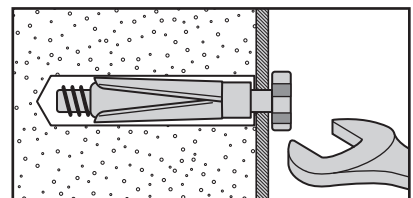
For use when attaching light loads onto plasterboard partitions.

No.4 "Cavity Fixing - Heavy Duty" wall plug



For use when fitting or supporting heavy loads such as shelving, wall cabinets and coat racks.

No.6 "Shield Anchor" wall plug - heavy loads



For use with heavier loads such as TV and HiFi speakers and satellite dishes etc.



## Care & Maintenance

**Safety:** always check the fitting and location to ensure your safety in and around the home.

**Fitting:** from time to time check the fitting to ensure the wall plugs or screws do not become loose.